



US00D902961S

(12) **United States Design Patent**
Park et al.

(10) **Patent No.:** **US D902,961 S**

(45) **Date of Patent:** **** Nov. 24, 2020**

(54) **COMPRESSOR HOUSING**

(71) Applicant: **Savant Holdings LLC**, South Jordan, UT (US)

(72) Inventors: **Bret J. Park**, South Jordan, UT (US);
Zackary D. Swasey, Riverton, UT (US)

(73) Assignee: **Savant Holdings LLC**, South Jordan, UT (US)

(**) Term: **15 Years**

(21) Appl. No.: **29/682,180**

(22) Filed: **Mar. 1, 2019**

(51) **LOC (12) Cl.** **15-02**

(52) **U.S. Cl.**
USPC **D15/9; D15/7**

(58) **Field of Classification Search**
USPC D15/1-9, 199; D13/101, 112, 118, 122,
D13/184, 199

(Continued)

(56) **References Cited**

U.S. PATENT DOCUMENTS

4,676,717 A * 6/1987 Willyard, Jr. F01D 9/026
29/402.08

D368,269 S * 3/1996 Chapman D15/5
(Continued)

FOREIGN PATENT DOCUMENTS

EP 0226444 A2 6/1987

OTHER PUBLICATIONS

Turbo Lab, Turbo Lab America Holset HX40 60mm Billet Compressor Wheel and Housing, (Jul. 30, 2014), Amazon.com, URL:<<https://www.amazon.com/Turbo-Lab-America-Compressor-Housing/dp/B00M9NJI0U>> (Year: 2014).*

(Continued)

Primary Examiner — Sheryl Lane

Assistant Examiner — Mark T. Philipps

(74) *Attorney, Agent, or Firm* — Austin Rapp

(57) **CLAIM**

The ornamental design for a compressor housing, as shown and described.

DESCRIPTION

FIG. 1 is a first top perspective view of a compressor housing, according to our new design, shown with an unclaimed compressor wheel;

FIG. 2 is a second top perspective view of the compressor housing shown with the unclaimed compressor wheel;

FIG. 3 is a first bottom perspective view of the compressor housing shown with the unclaimed compressor wheel;

FIG. 4 is a second bottom perspective view of the compressor housing;

FIG. 5 is a left side elevational view of the compressor housing;

FIG. 6 is a right side elevational view of the compressor housing;

FIG. 7 is a front side elevational view of the compressor housing;

FIG. 8 is a rear side elevational view of the compressor housing;

FIG. 9 is a top side view of the compressor housing shown with the unclaimed compressor wheel;

FIG. 10 is a bottom side view of the compressor housing shown with the unclaimed compressor wheel;

FIG. 11 is a top perspective view of the compressor housing shown without the unclaimed compressor wheel;

FIG. 12 is a bottom perspective view of the compressor housing shown without the unclaimed compressor wheel;

FIG. 13 is a top side view of the compressor housing shown without the unclaimed compressor wheel;

FIG. 14 is a bottom side view of the compressor housing shown without the unclaimed compressor wheel;

FIG. 15 is a top perspective view of the compressor housing shown with an unclaimed center housing rotating assembly and an unclaimed turbine housing; and,

(Continued)

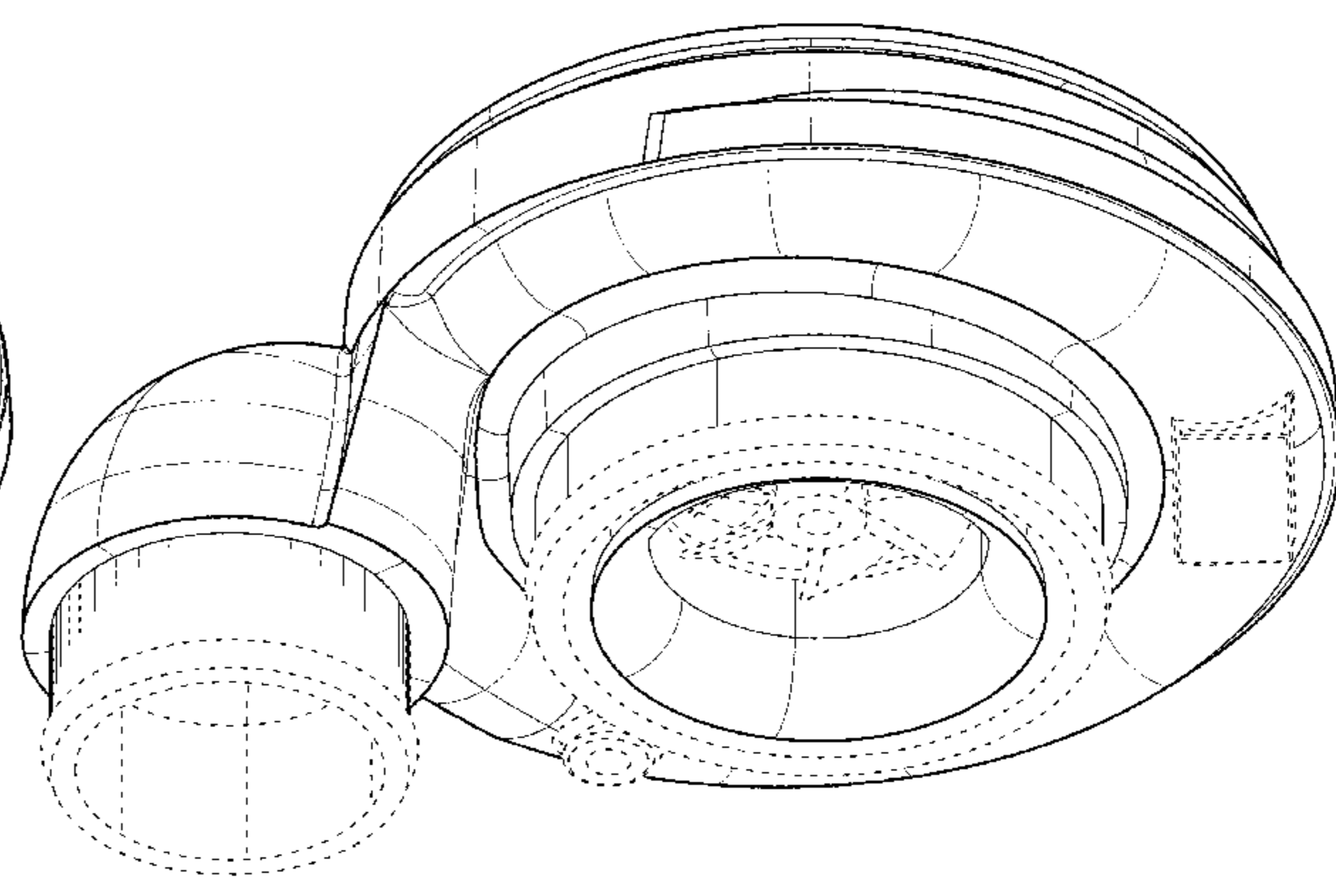
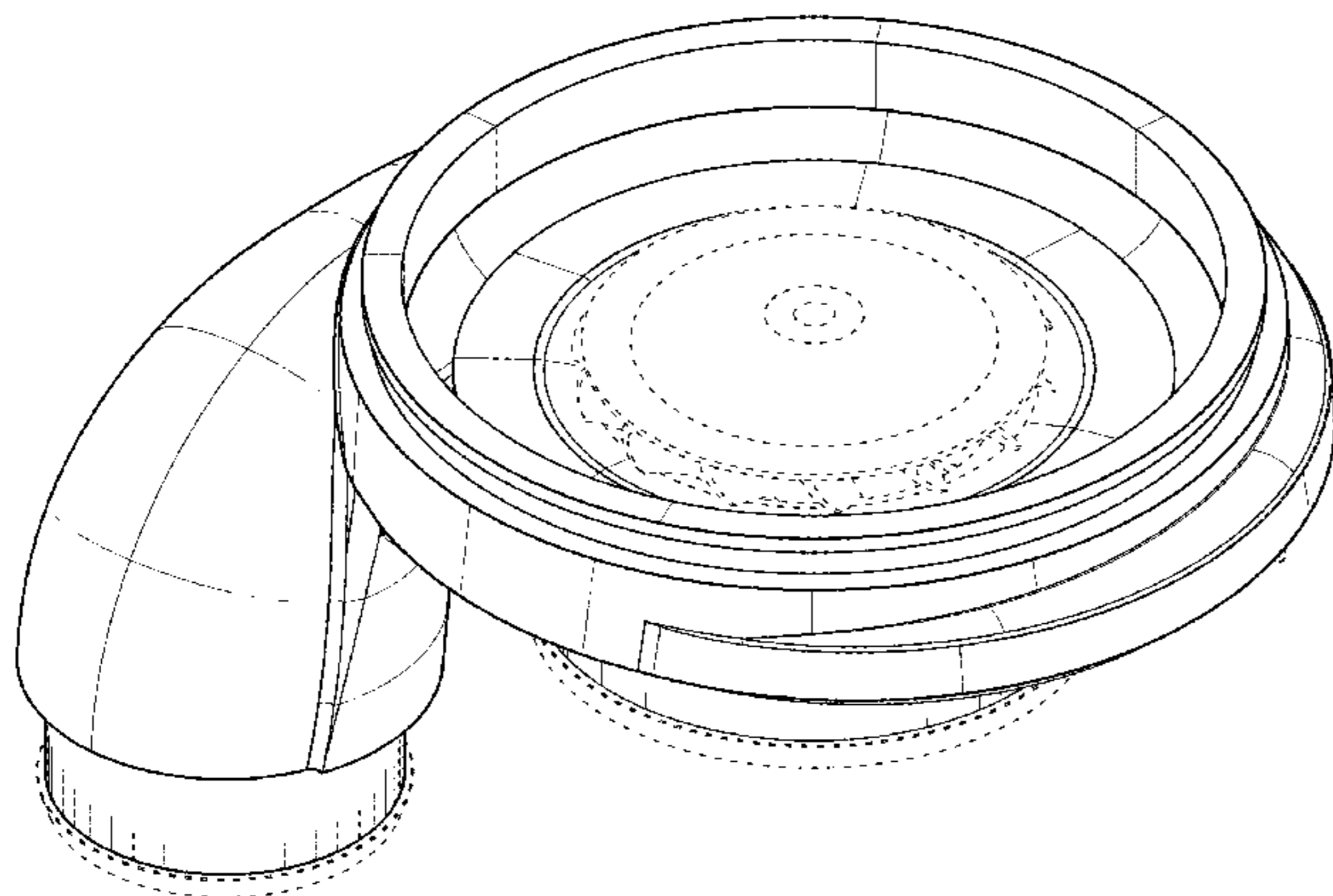


FIG. 16 is a front side elevational view of the compressor housing shown with the unclaimed center housing rotating assembly and the unclaimed turbine housing. The broken lines in the figures are included for the purpose of illustrating unclaimed portions of the compressor housing and unclaimed environmental structure and form no part of the claimed design.

1 Claim, 16 Drawing Sheets

(58) **Field of Classification Search**

CPC F04D 29/30; F04D 29/40; F04D 29/42; F04D 29/44; F04D 27/00; F04D 17/10; F04D 37/16; F04D 37/22; F01D 5/06; F01D 9/041; F01D 9/045; F01D 17/165; F02B 37/00; F02B 33/40

See application file for complete search history.

(56) **References Cited**

U.S. PATENT DOCUMENTS

D413,122	S *	8/1999	Chapman	D15/5
6,269,642	B1	8/2001	Arnold		
D616,902	S *	6/2010	Foreman	D15/7
D740,327	S *	10/2015	Naruoka	D15/5
D767,637	S *	9/2016	Pappathopoulos	D15/7
D786,549	S *	5/2017	Dandachli	D3/211
D791,840	S *	7/2017	Gebert	D15/7
10,087,820	B2	10/2018	Uesugi		
10,145,267	B2	12/2018	Yokoyama		
10,161,305	B2	12/2018	Ikegami		
10,247,037	B2 *	4/2019	Ogata	F01D 25/24
D857,186	S *	8/2019	Dandachli	D23/366
10,458,315	B2 *	10/2019	Isogai	F04D 29/422
10,508,659	B2 *	12/2019	Jin	F04D 29/4206
10,590,835	B2 *	3/2020	Boehn	F02B 33/38
2005/0017709	A1 *	1/2005	Stolfus	F01D 17/06
					324/174
2008/0304960	A1 *	12/2008	Cvjeticanin	F04D 29/023
					415/200
2009/0053051	A1 *	2/2009	Cvjeticanin	F04D 29/4206
					415/200

2009/0060727	A1 *	3/2009	Moss	F04D 29/624
					415/196
2009/0123272	A1	5/2009	Love		
2012/0279217	A1 *	11/2012	Eriksson	F01D 17/20
					60/605.1
2013/0272889	A1 *	10/2013	Cornell	F04D 27/001
					416/223 R
2014/0056699	A1 *	2/2014	Cornelius	B23P 6/002
					415/182.1
2014/0093364	A1 *	4/2014	Narehood	F01D 9/026
					415/191
2015/0361990	A1 *	12/2015	Rodrigues	F01D 25/24
					415/204
2017/0107993	A1 *	4/2017	Colson	F04D 29/624
2017/0191492	A1 *	7/2017	Annati	F01D 5/04
2017/0191496	A1 *	7/2017	Harley	F04D 25/04
2017/0204867	A1 *	7/2017	Beers	F16C 43/02
2017/0211467	A1 *	7/2017	Hall	F02B 39/16
2017/0234325	A1 *	8/2017	Prater	F02B 33/40
					415/203
2017/0292441	A1 *	10/2017	Jin	F04D 29/685
2018/0119703	A1 *	5/2018	Gashi	F04D 29/0467
2018/0171825	A1 *	6/2018	Hossbach	F02C 7/28
2018/0306104	A1 *	10/2018	Gerard	F04D 17/10
2018/0372116	A1 *	12/2018	Nandagopal	F04D 29/624
2019/0178151	A1 *	6/2019	Smith	F02C 6/12
2019/0264604	A1 *	8/2019	Lombard	F02B 37/24
2019/0264710	A1 *	8/2019	Mohtar	F04D 29/667
2019/0331129	A1 *	10/2019	Zimmerman	F04D 29/601
2020/0141310	A1 *	5/2020	Kuenstner	F04D 27/0253

OTHER PUBLICATIONS

Garrett, Garrett GT3071 R Turbo Compressor Housing 4.00" INLET, (site visited Jun. 3, 2020), Himni Racing, URL: <<https://www.himni-racing.com/turbochargers/garrett-compressor-housings/garrett-gt3071r-turbo-compressor-housing-4.00-inlet>> (Year: 2020).*

U.S. Appl. No. 29/667,153, filed Oct. 18, 2018, Park.

U.S. Appl. No. 29/667,151, filed Oct. 18, 2018, Park.

U.S. Appl. No. 16/370,964, filed Mar. 30, 2019, Park.

Notice of Allowance and Fee(s) Due, (including a Notice of Allowability for a Design Application section, a an Examiner's Amendment section, and an Amendment to the Specification section), U.S. Appl. No. 29/724,935 dated Jul. 8, 2020 (shown in attachment 1).

* cited by examiner

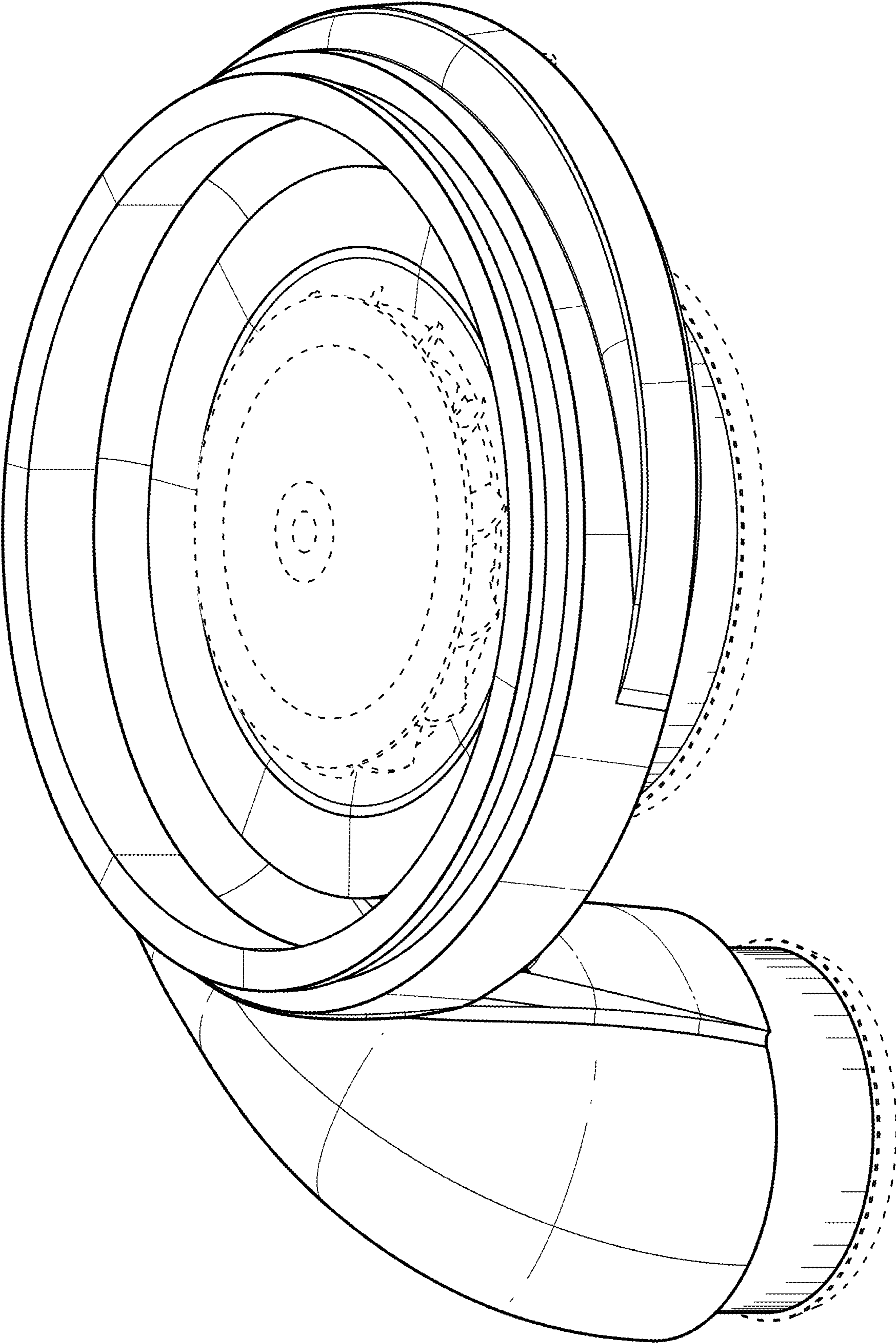


FIG. 1

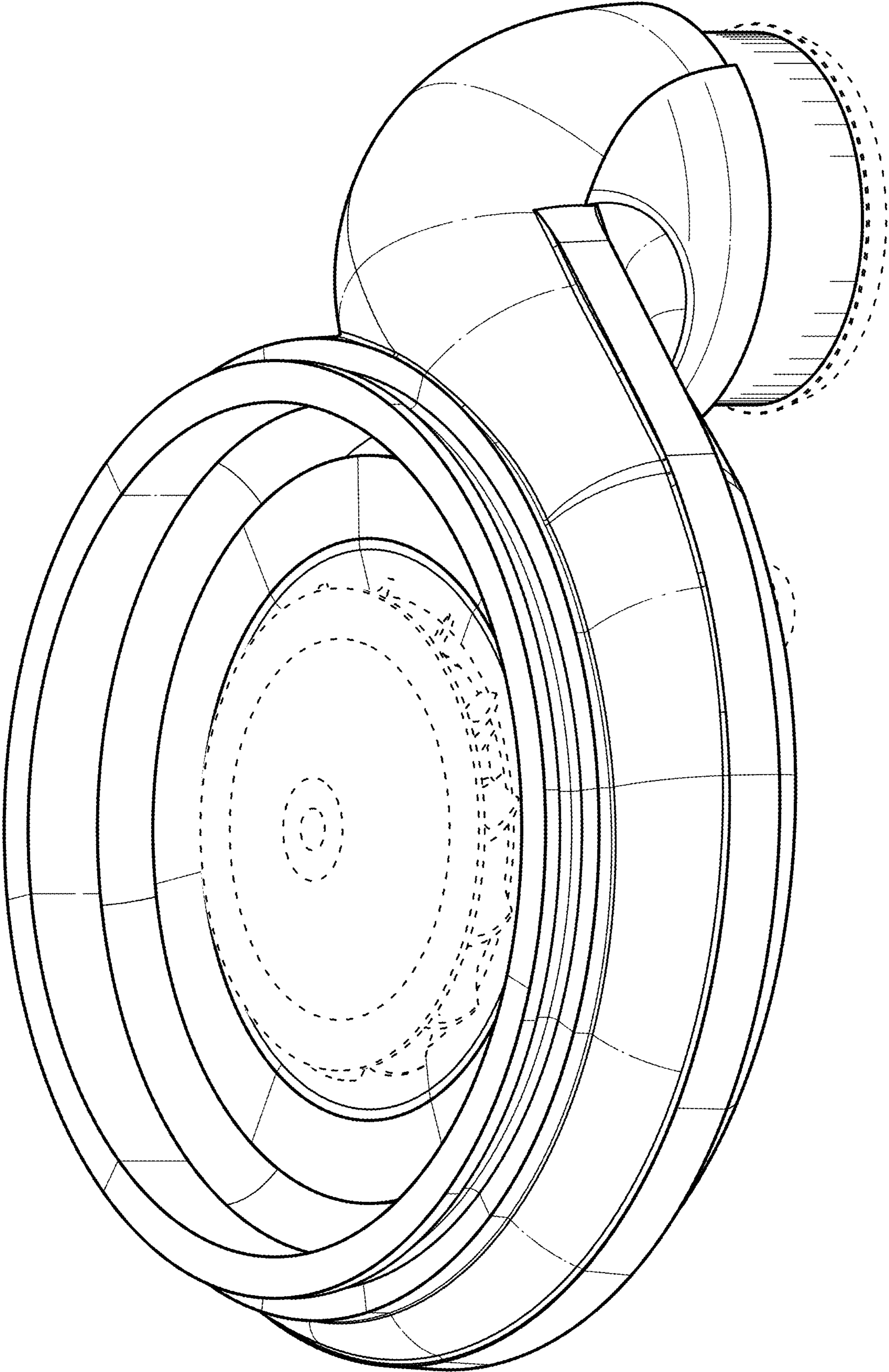


FIG. 2

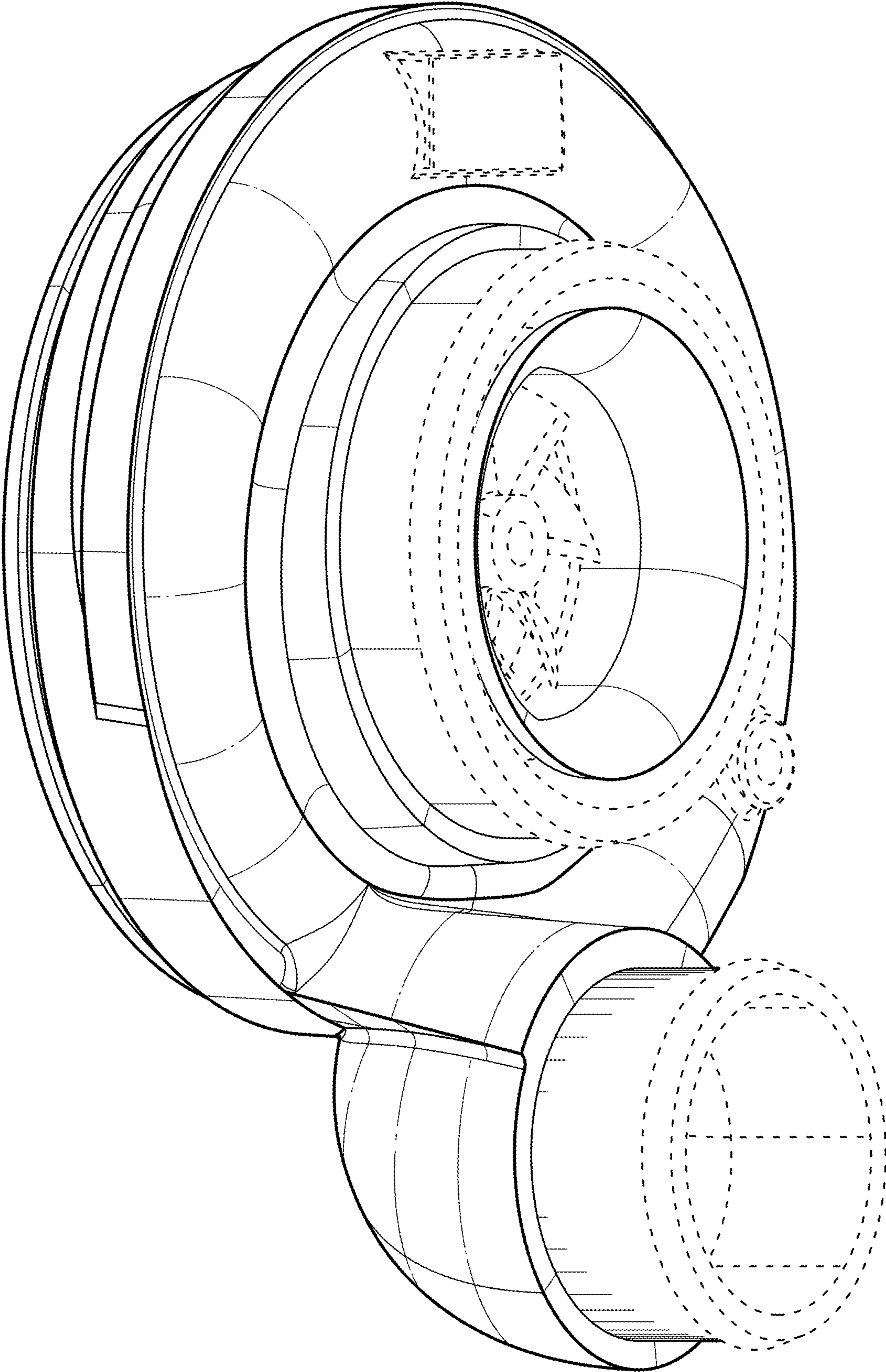


FIG. 3

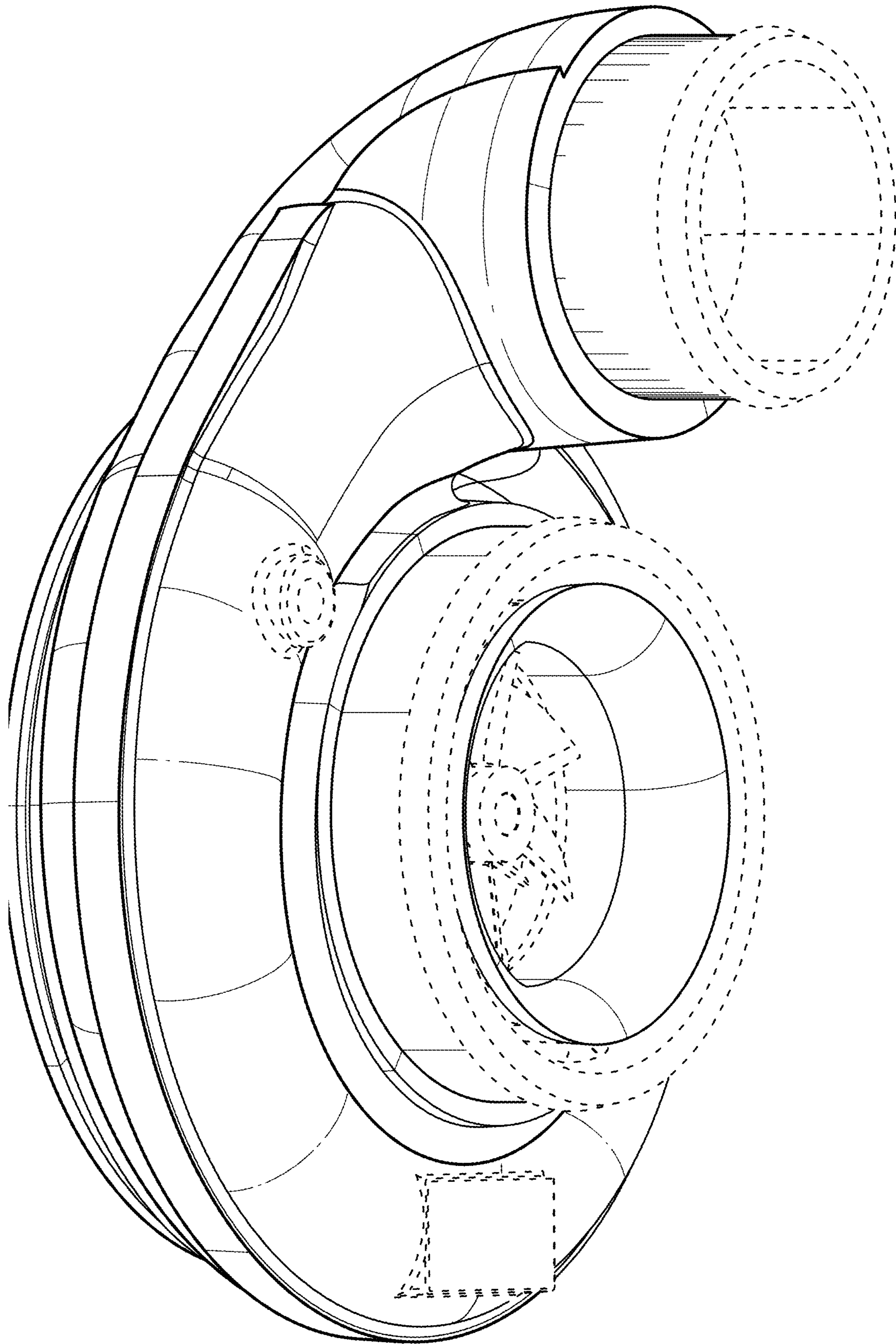


FIG. 4

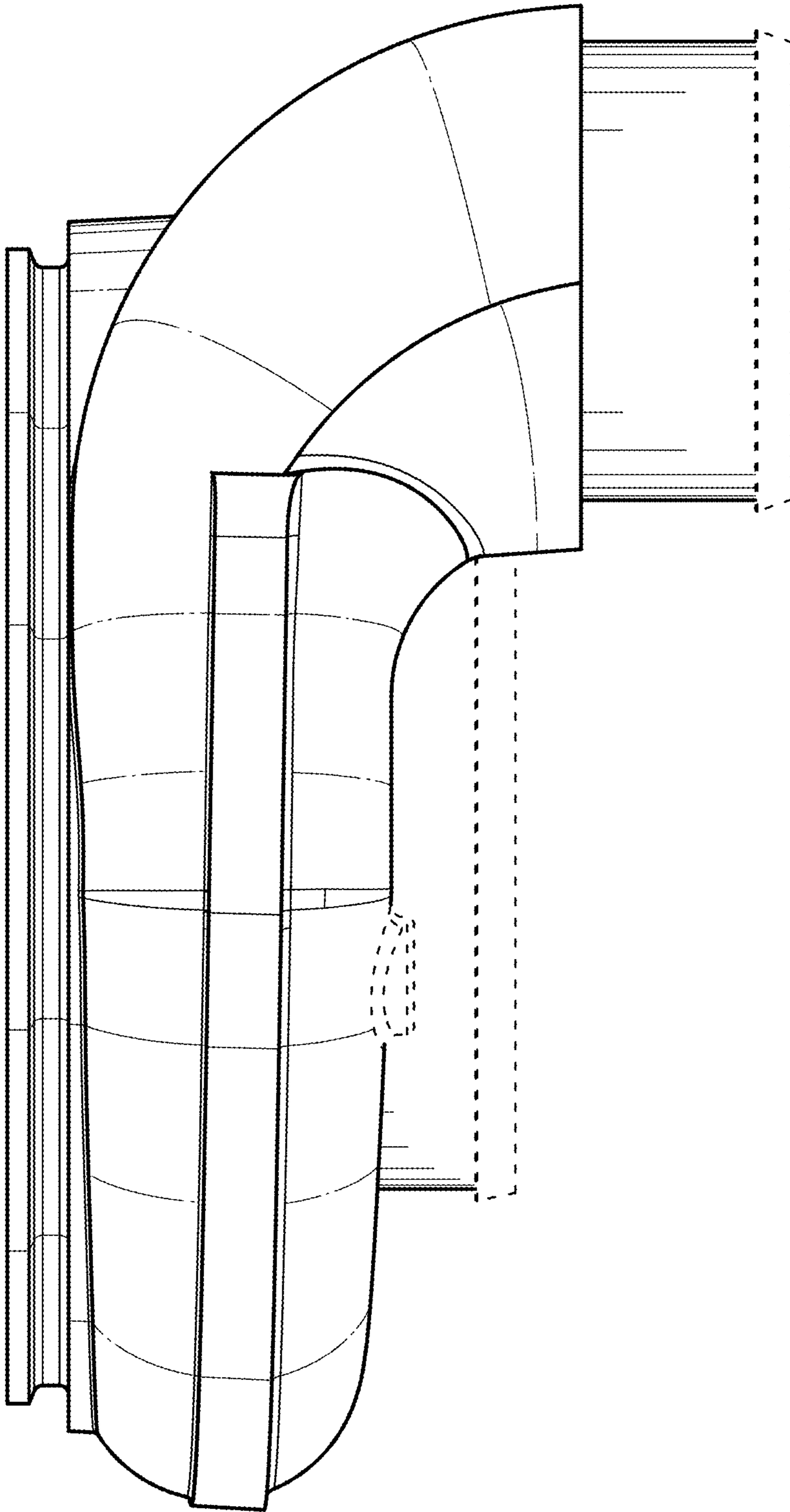


FIG. 5

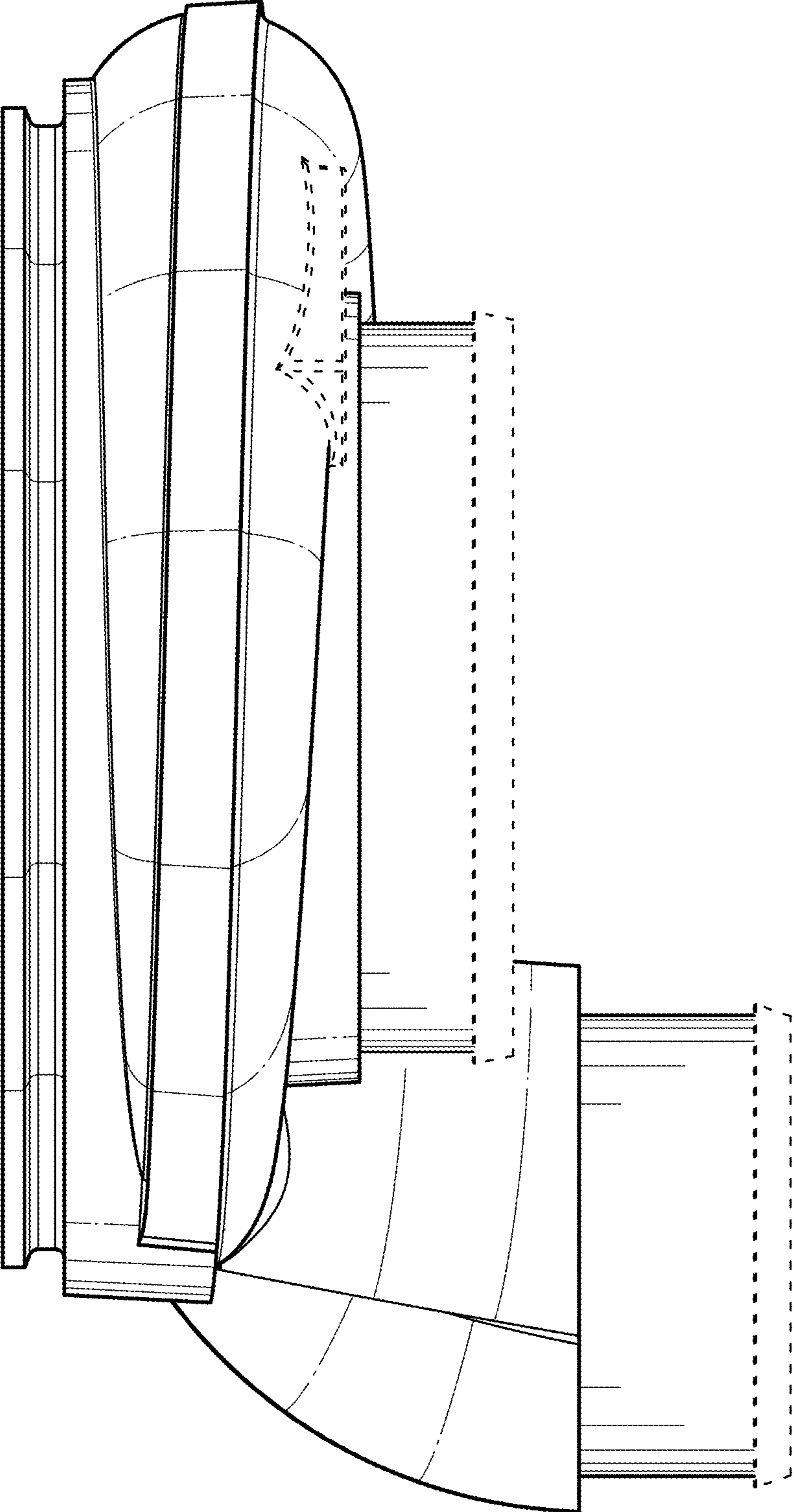


FIG. 6

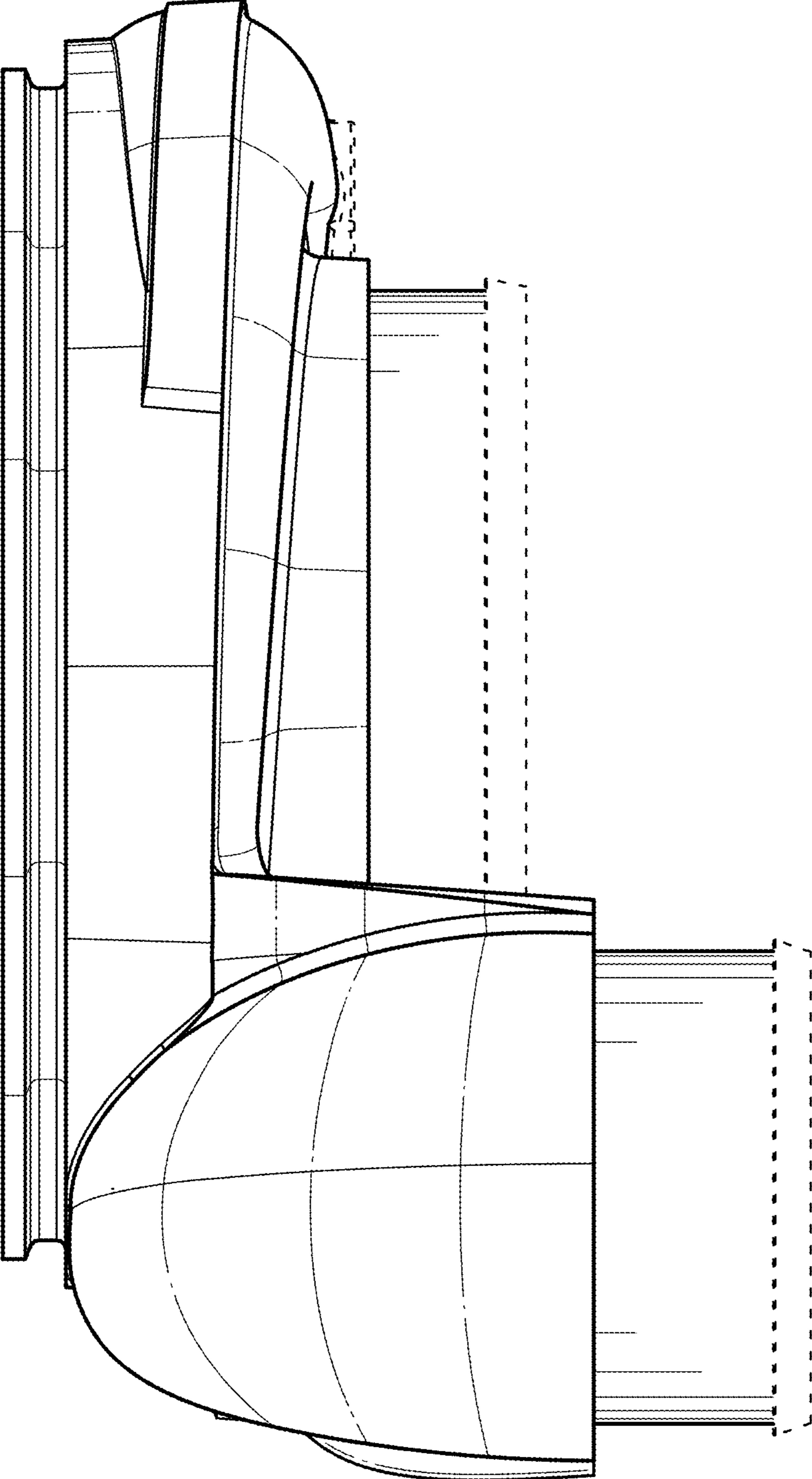


FIG. 7

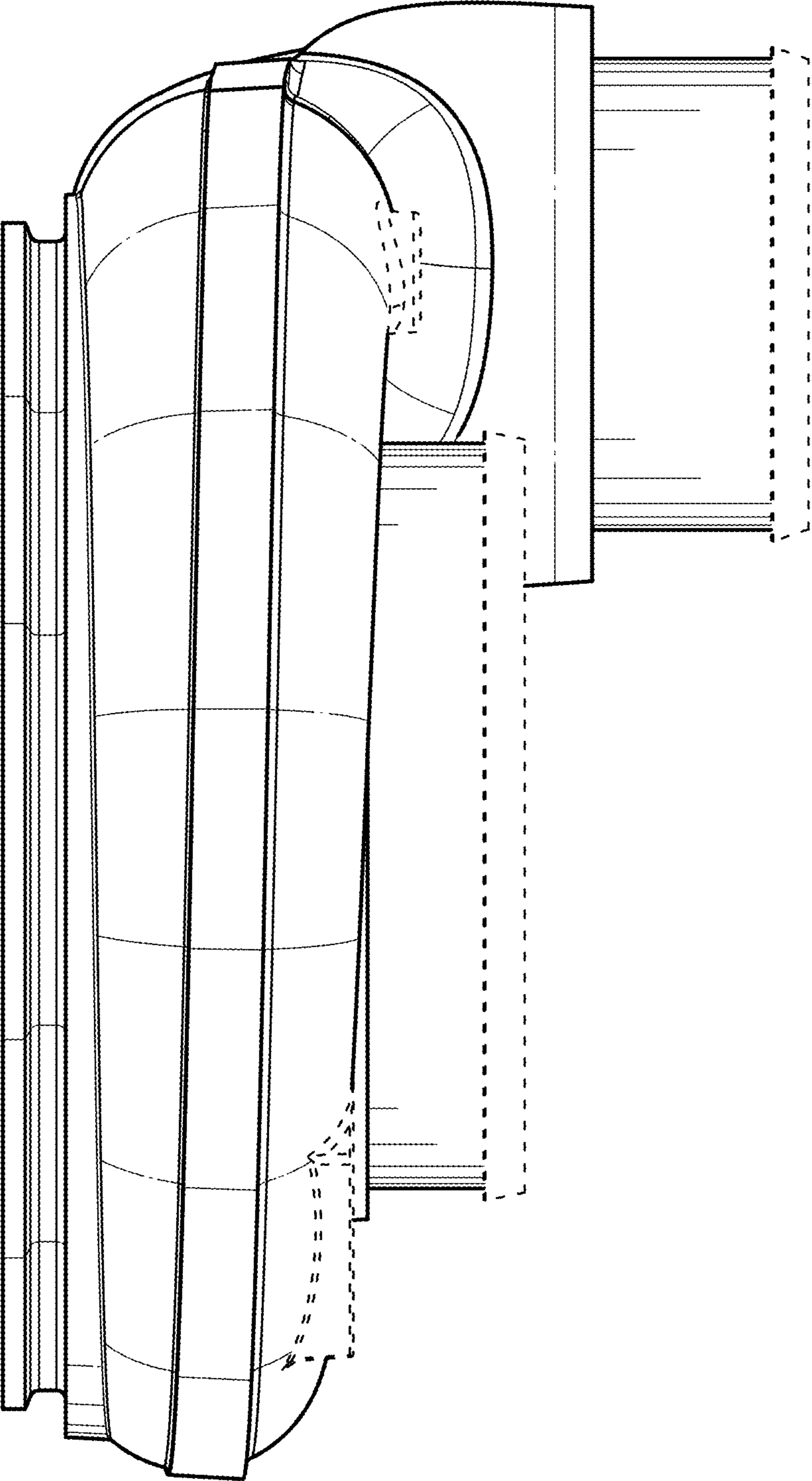


FIG. 8

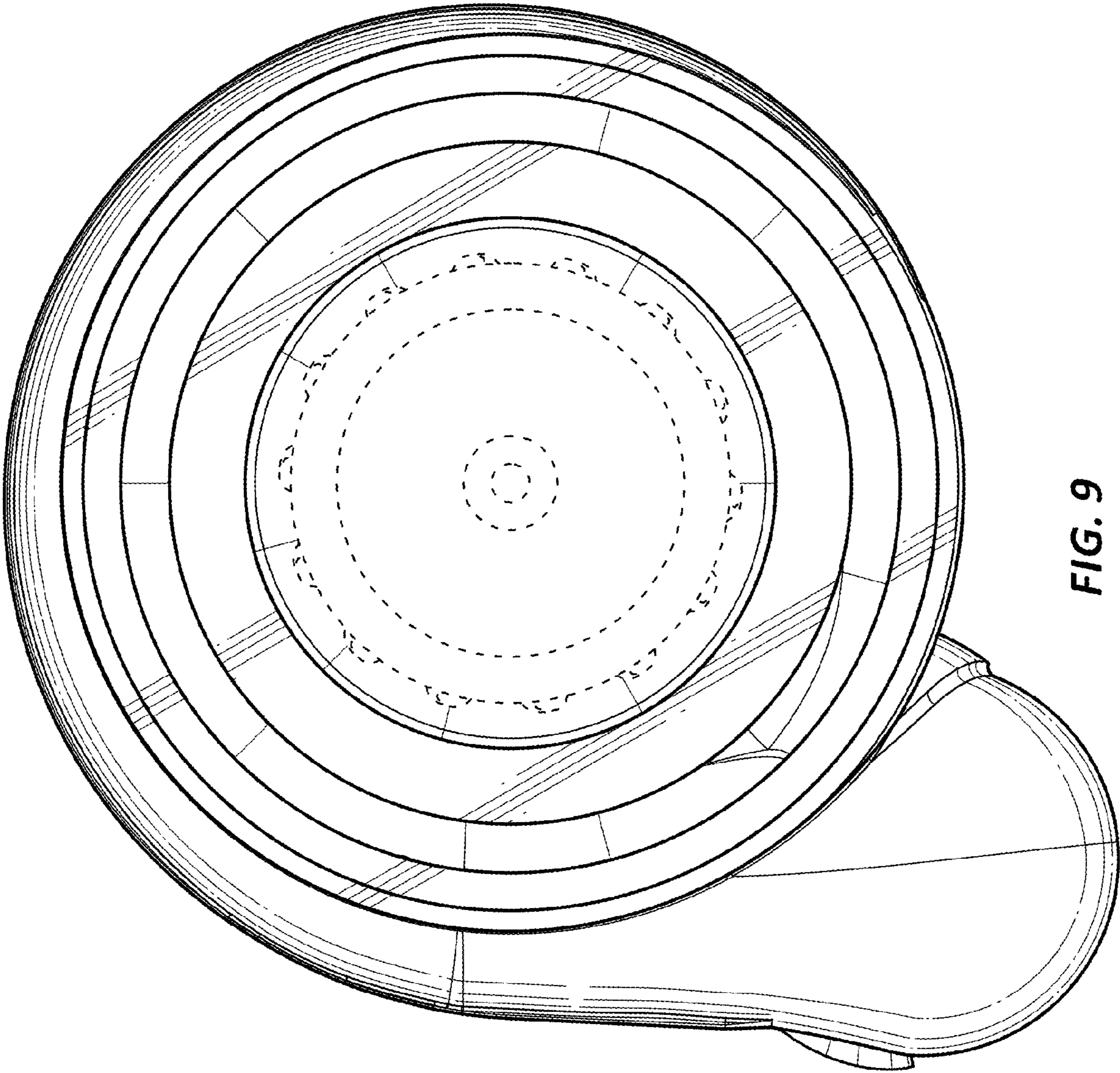


FIG. 9

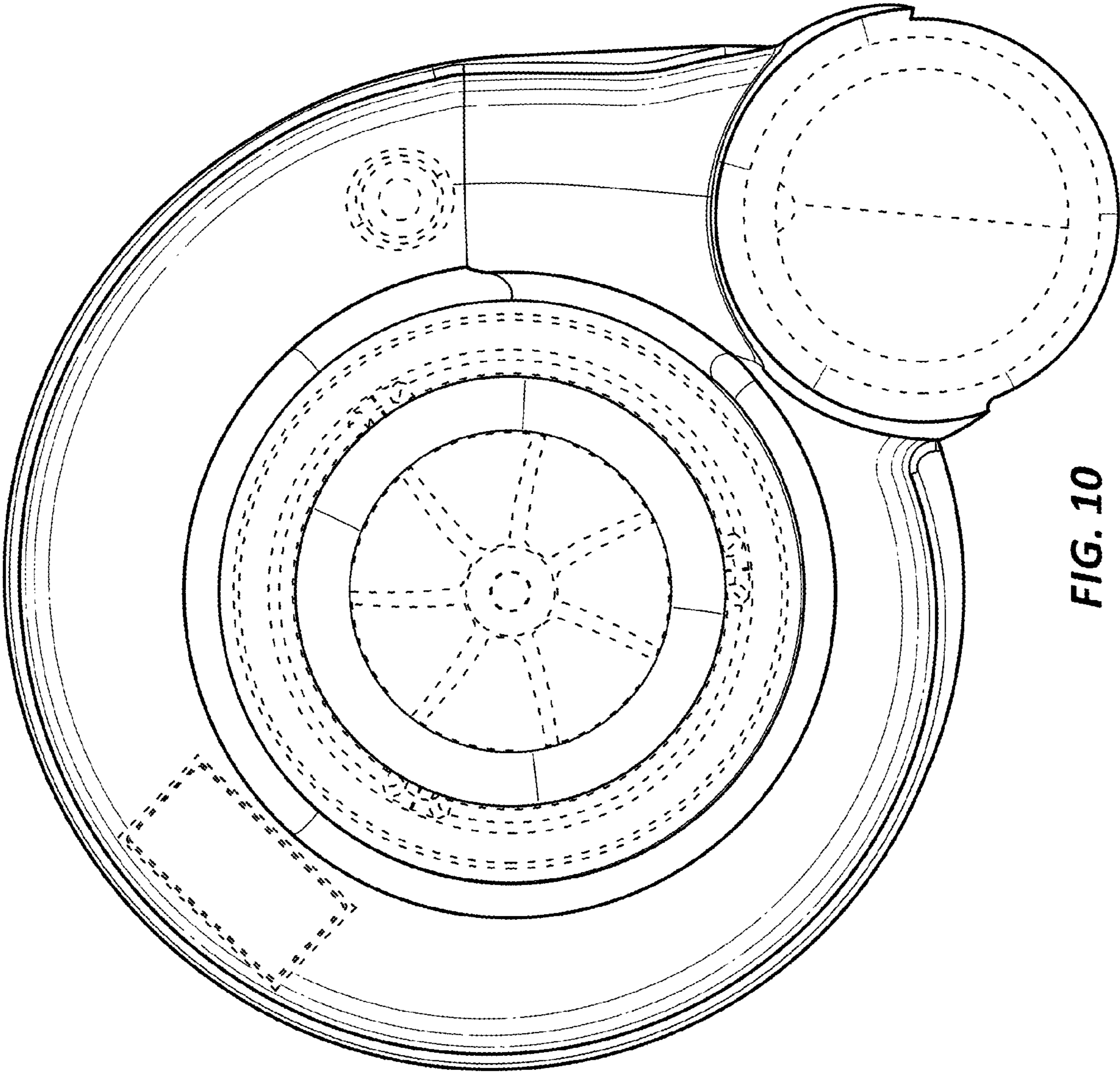


FIG. 10

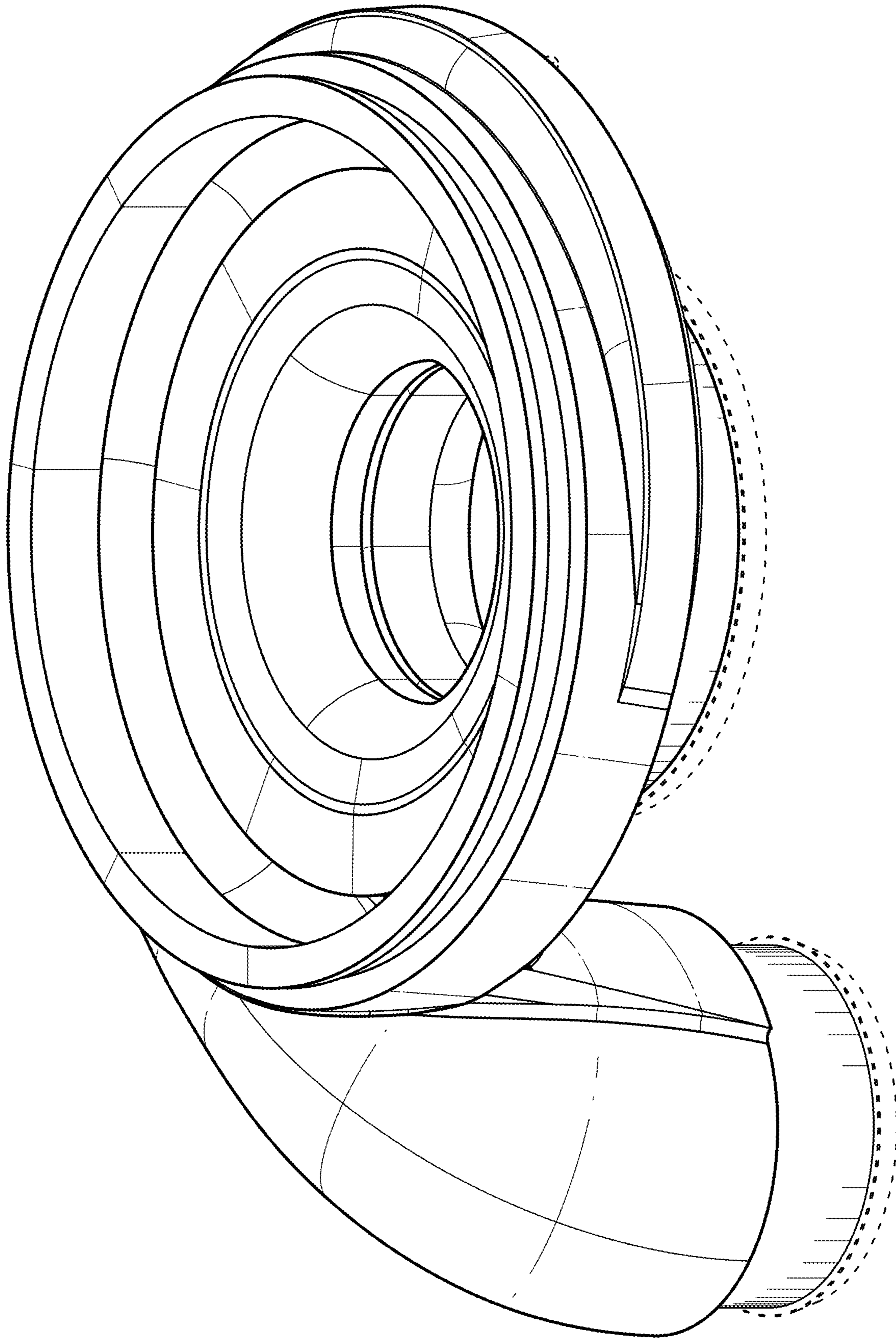


FIG. 11

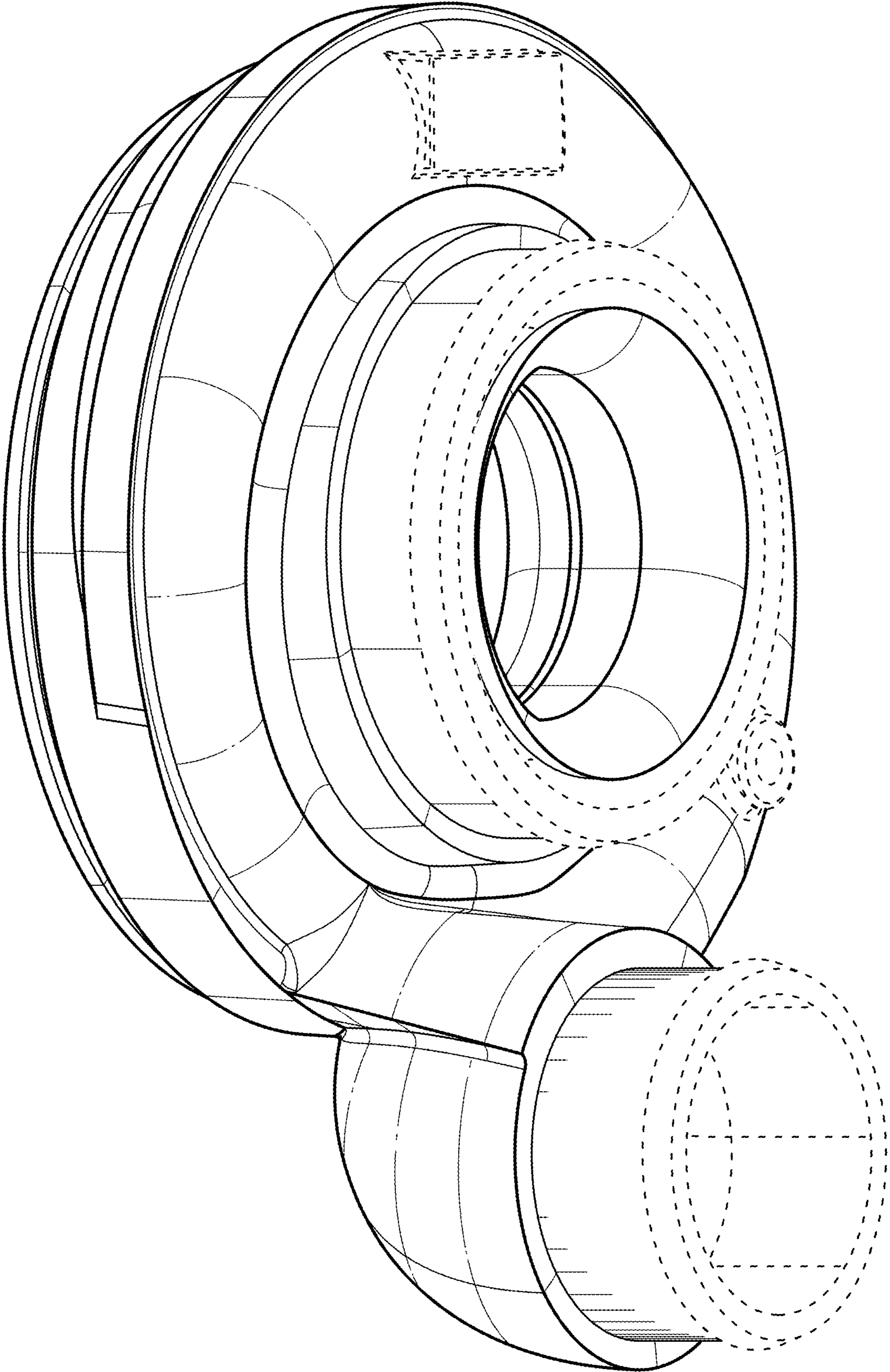


FIG. 12

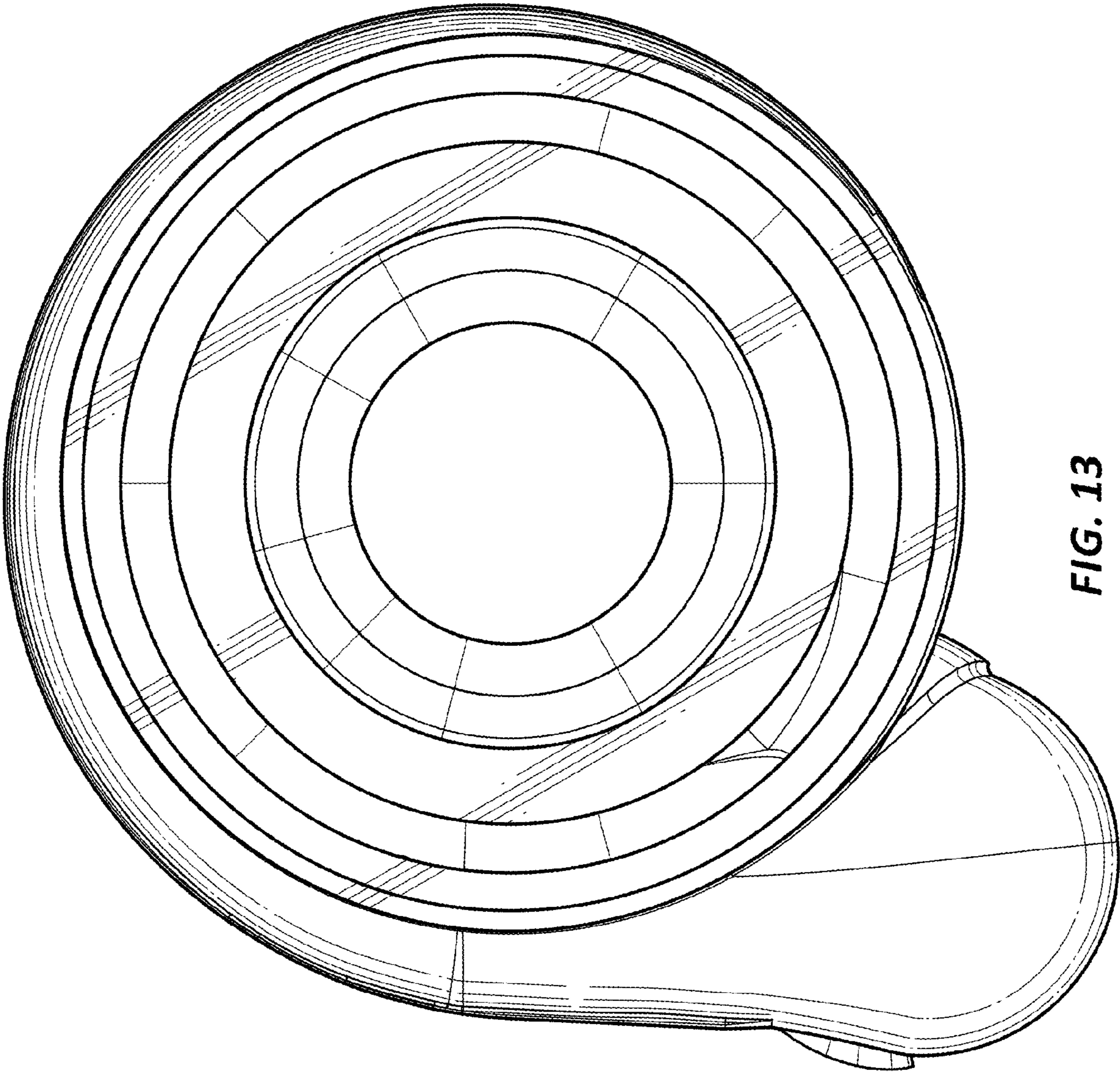


FIG. 13

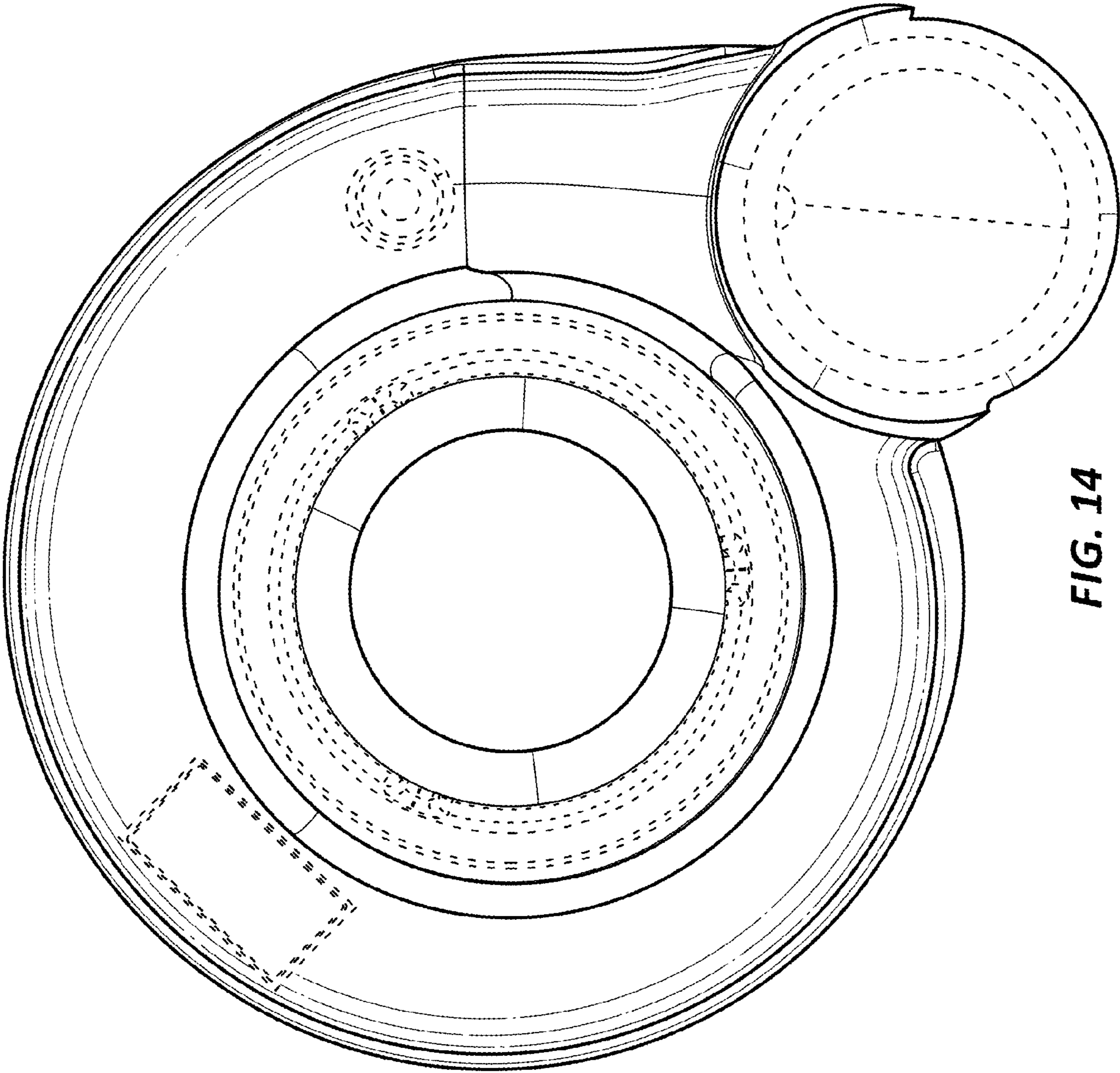


FIG. 14

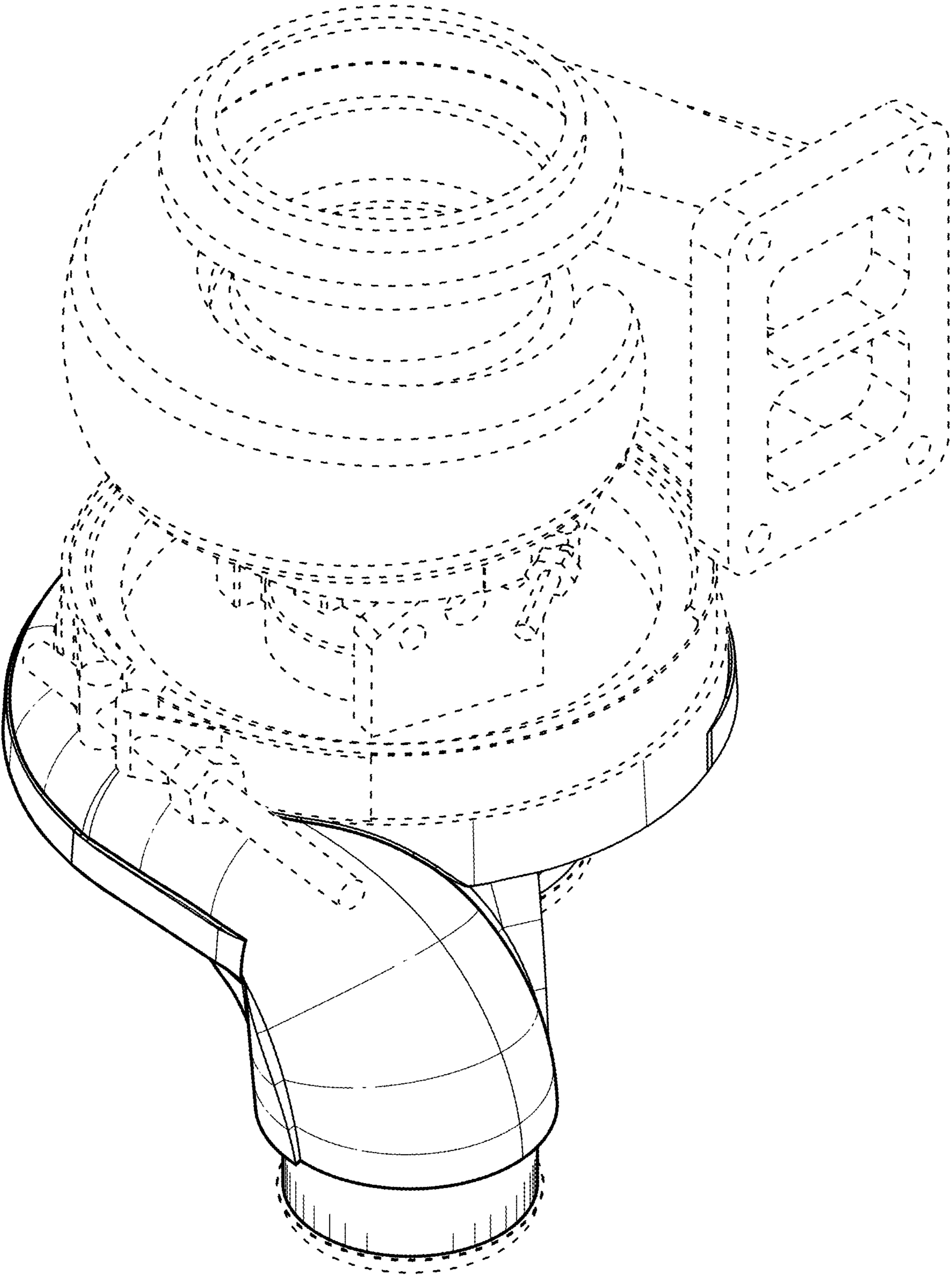


FIG. 15

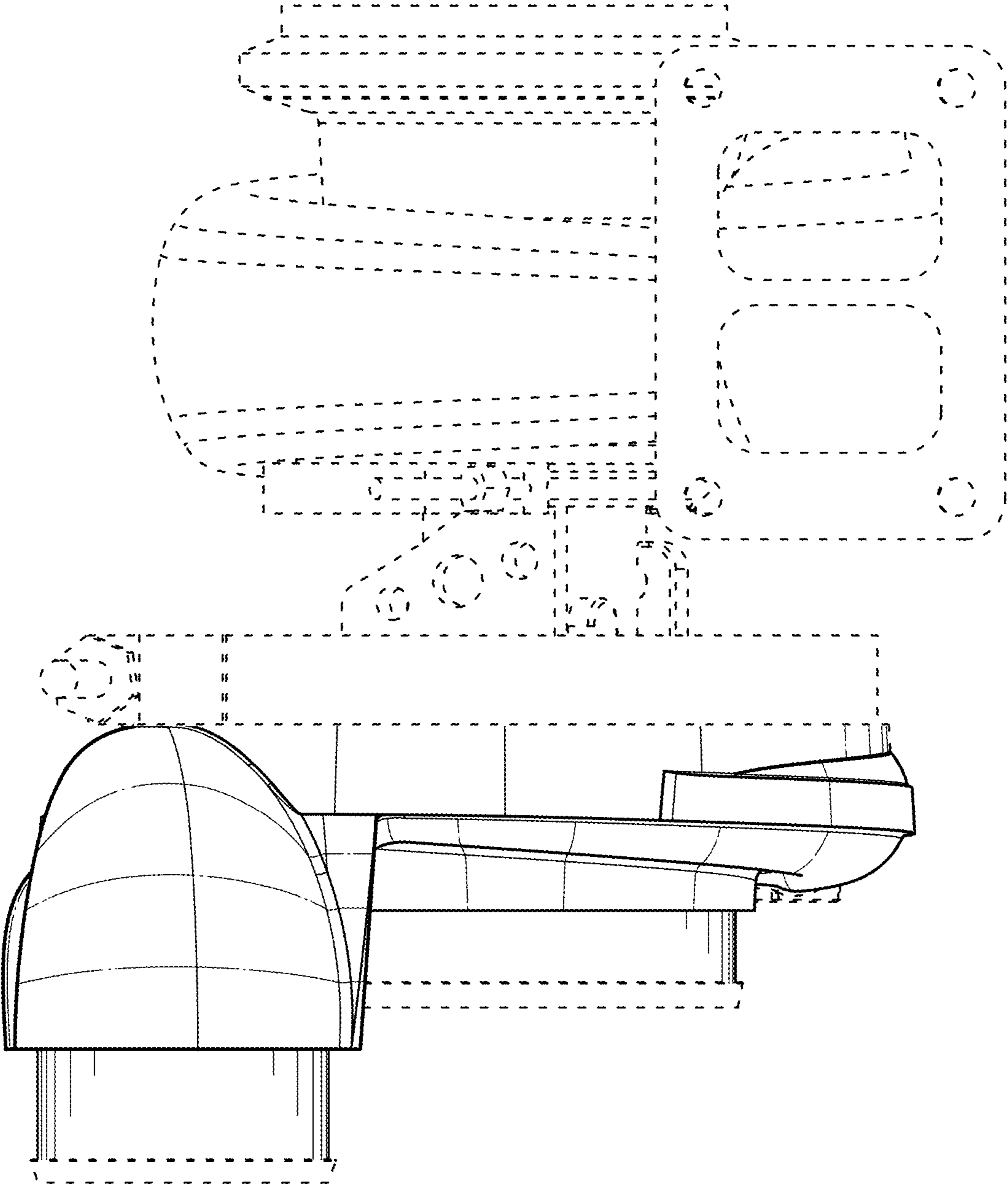


FIG. 16