



US00D902940S

(12) **United States Design Patent**  
**Hirano et al.**

(10) **Patent No.:** **US D902,940 S**

(45) **Date of Patent:** **\*\* Nov. 24, 2020**

(54) **RECORDING AND DATA STORAGE MEDIUM**

(71) Applicant: **SONY INTERACTIVE ENTERTAINMENT INC.**, Tokyo (JP)

(72) Inventors: **Yuya Hirano**, Tokyo (JP); **Nobuyuki Sugawara**, Tokyo (JP); **Hideo Niikura**, Tokyo (JP)

(73) Assignee: **SONY INTERACTIVE ENTERTAINMENT INC.**, Tokyo (JP)

(\*\*) Term: **15 Years**

(21) Appl. No.: **29/696,513**

(22) Filed: **Jun. 28, 2019**

(30) **Foreign Application Priority Data**

Dec. 28, 2018 (JP) ..... 2018-028851

(51) **LOC (12) Cl.** ..... **14-99**

(52) **U.S. Cl.**  
USPC ..... **D14/474; D14/435; D14/438; D14/356; D21/332**

(58) **Field of Classification Search**  
USPC ..... D14/432, 433, 435, 435.1, 436, 439, D14/480.1–480.7, 474, 483, 484.1,  
(Continued)

(56) **References Cited**

**U.S. PATENT DOCUMENTS**

D319,823 S \* 9/1991 Kojo ..... D14/438  
D320,203 S \* 9/1991 Ashida ..... D14/438  
(Continued)

**OTHER PUBLICATIONS**

“More details leak about the mysterious Sony gadget that might keep the PS5’s price down,” Sony cartridge pictured therein, online,

post date Nov. 19, 2019, URL: <https://bgr.com/2019/11/13/playstation-5-price-might-depend-on-a-sony-innovation-that-just-leaked/>, retrieved Aug. 27, 2020.\*

(Continued)

*Primary Examiner* — Angela J Lee

*Assistant Examiner* — Rebekah A Caruso

(74) *Attorney, Agent, or Firm* — Nixon & Vanderhye

(57) **CLAIM**

The ornamental design for a recording and data storage medium, as shown and described.

**DESCRIPTION**

FIG. 1 is a perspective view of front, top and left side of a recording and data storage medium showing our new design; FIG. 2 is a perspective view of rear, top and right side thereof;

FIG. 3 is a perspective view of front, bottom and right side thereof;

FIG. 4 is a perspective view of front, bottom and right side thereof;

FIG. 5 is a perspective view of front, bottom and right side thereof;

FIG. 6 is a front view thereof;

FIG. 7 is a rear view thereof;

FIG. 8 is a left side view thereof;

FIG. 9 is a right side view thereof;

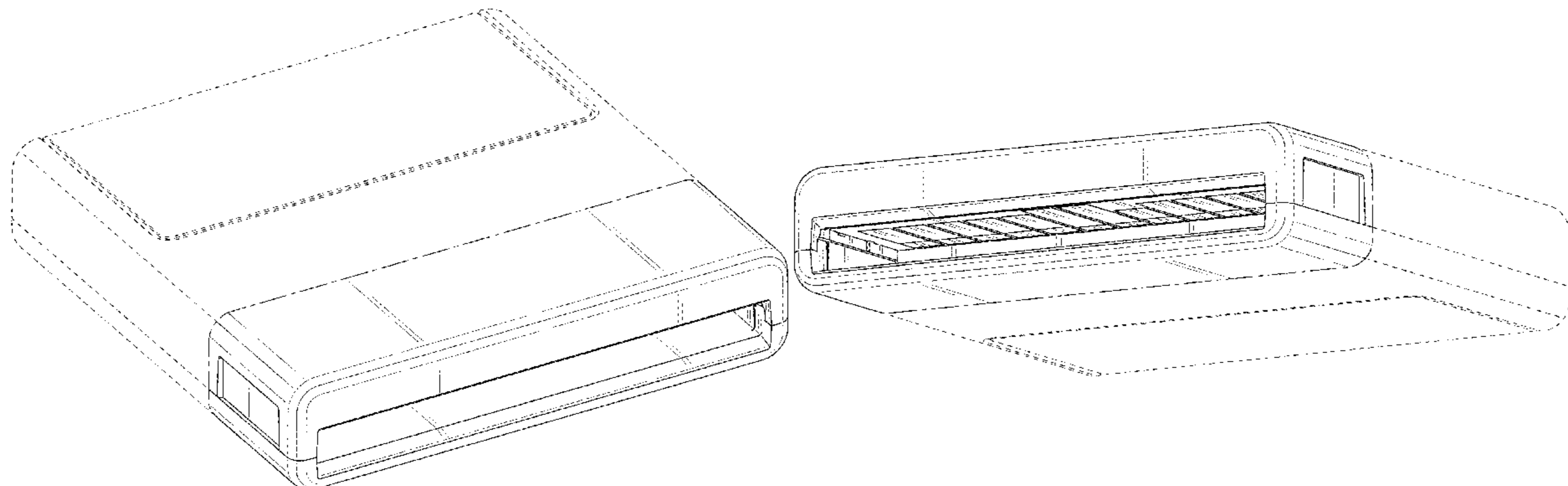
FIG. 10 is a top view thereof;

FIG. 11 is a bottom view thereof; and,

FIG. 12 is a bottom view with the lower cover removed thereof.

The portions of the article in broken lines are shown for illustrative purposes only and form no part of the claimed design. The dot and dashed lines illustrate a boundary of the claimed design and form no part thereof.

**1 Claim, 10 Drawing Sheets**



(58) **Field of Classification Search**

USPC ..... D14/203.1–203.6, 240, 242, 356, 438;  
 D13/133, 153, 154; D21/332, 333  
 CPC ..... H05K 5/0278; H05K 5/0286; G06K  
 19/07732; G06K 7/01; G06K 7/0021;  
 H01R 27/00; H01R 27/02; H01R 31/06  
 See application file for complete search history.

(56) **References Cited**

U.S. PATENT DOCUMENTS

D376,795 S \* 12/1996 Ashida ..... D14/438  
 D377,488 S \* 1/1997 Ashida ..... D14/438  
 D382,868 S \* 8/1997 Ashida ..... D14/435  
 D394,055 S \* 5/1998 Tyler ..... D14/438  
 D399,202 S \* 10/1998 Kanatani ..... D14/507  
 D411,532 S \* 6/1999 Sugino ..... D14/438  
 D428,893 S \* 8/2000 Nagata ..... D14/481  
 D478,127 S \* 8/2003 Nishikawa ..... D14/435  
 D478,358 S \* 8/2003 Ashida ..... D14/435  
 D486,154 S \* 2/2004 Nishio ..... D14/474  
 6,786,415 B2 \* 9/2004 Yiu ..... G06K 7/0021  
 235/483

D509,219 S \* 9/2005 Avery ..... D14/435  
 D550,775 S \* 9/2007 Fujita ..... D14/435  
 D588,598 S \* 3/2009 Nakamura ..... D14/436  
 D591,752 S \* 5/2009 Aoki ..... D14/436  
 D611,429 S \* 3/2010 Chapman ..... D13/154  
 D615,983 S \* 5/2010 Aoki ..... D14/436  
 D642,578 S \* 8/2011 Aoki ..... D14/436  
 D643,431 S \* 8/2011 Nakamura ..... D14/436  
 D643,432 S \* 8/2011 Nakamura ..... D14/436  
 D658,185 S \* 4/2012 Aoki ..... D14/436  
 D735,202 S \* 7/2015 Kim ..... D14/436  
 D735,203 S \* 7/2015 Kim ..... D14/436  
 2005/0094364 A1 \* 5/2005 Chang ..... G06F 1/182  
 361/679.31

OTHER PUBLICATIONS

“Sony confirms PS5 SSD cartridges, while DualShock 5 is shown in patent,” Sony cartridge pictured therein, online, post date Nov. 13, 2019, URL: <https://www.pocket-lint.com/games/news/playstation/150121-sony-confirms-ps5-ssd-cartridges-and-dualshock-5-shown-in-patent>, retrieved Aug. 27, 2020.\*

\* cited by examiner

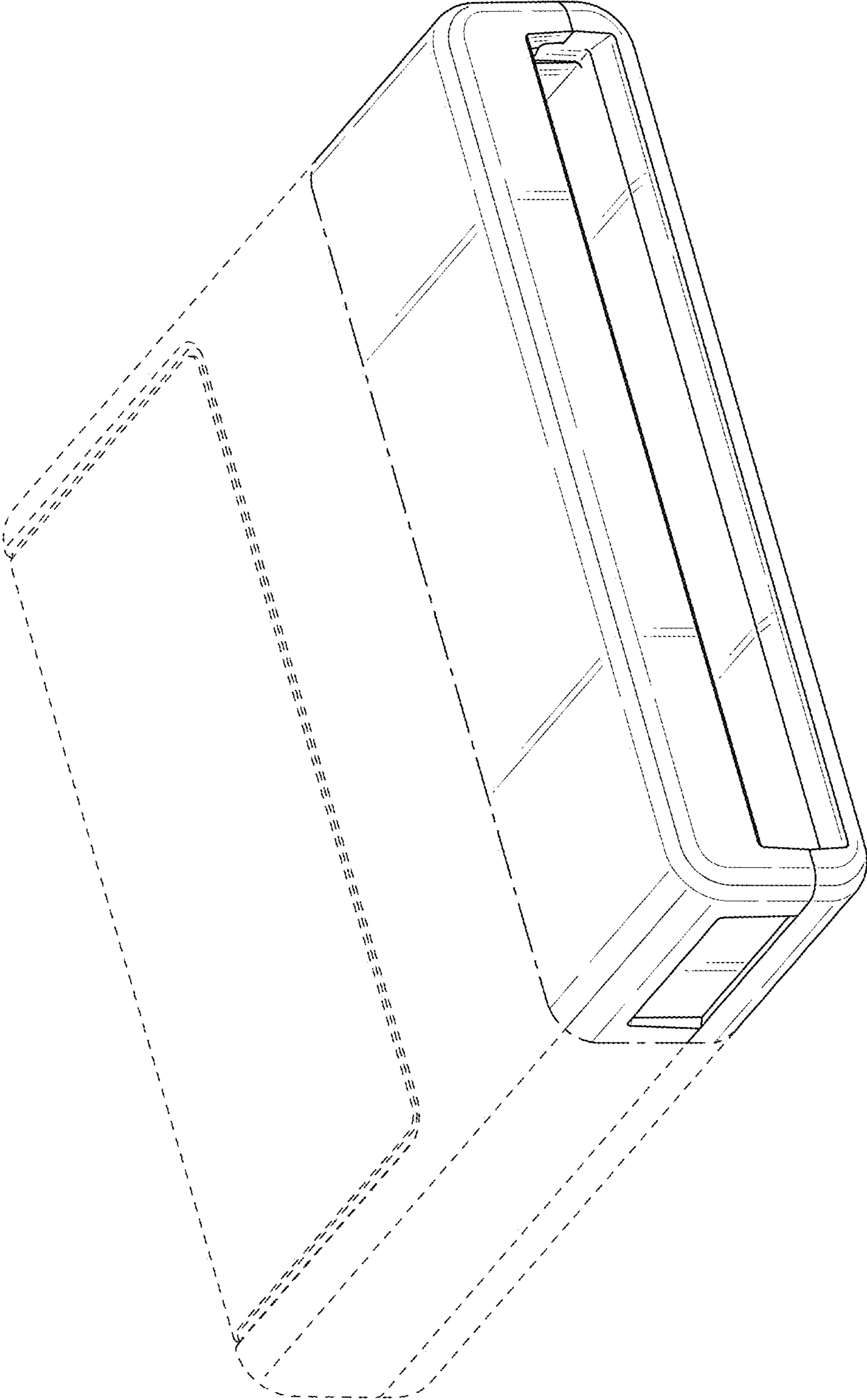


FIG. 1

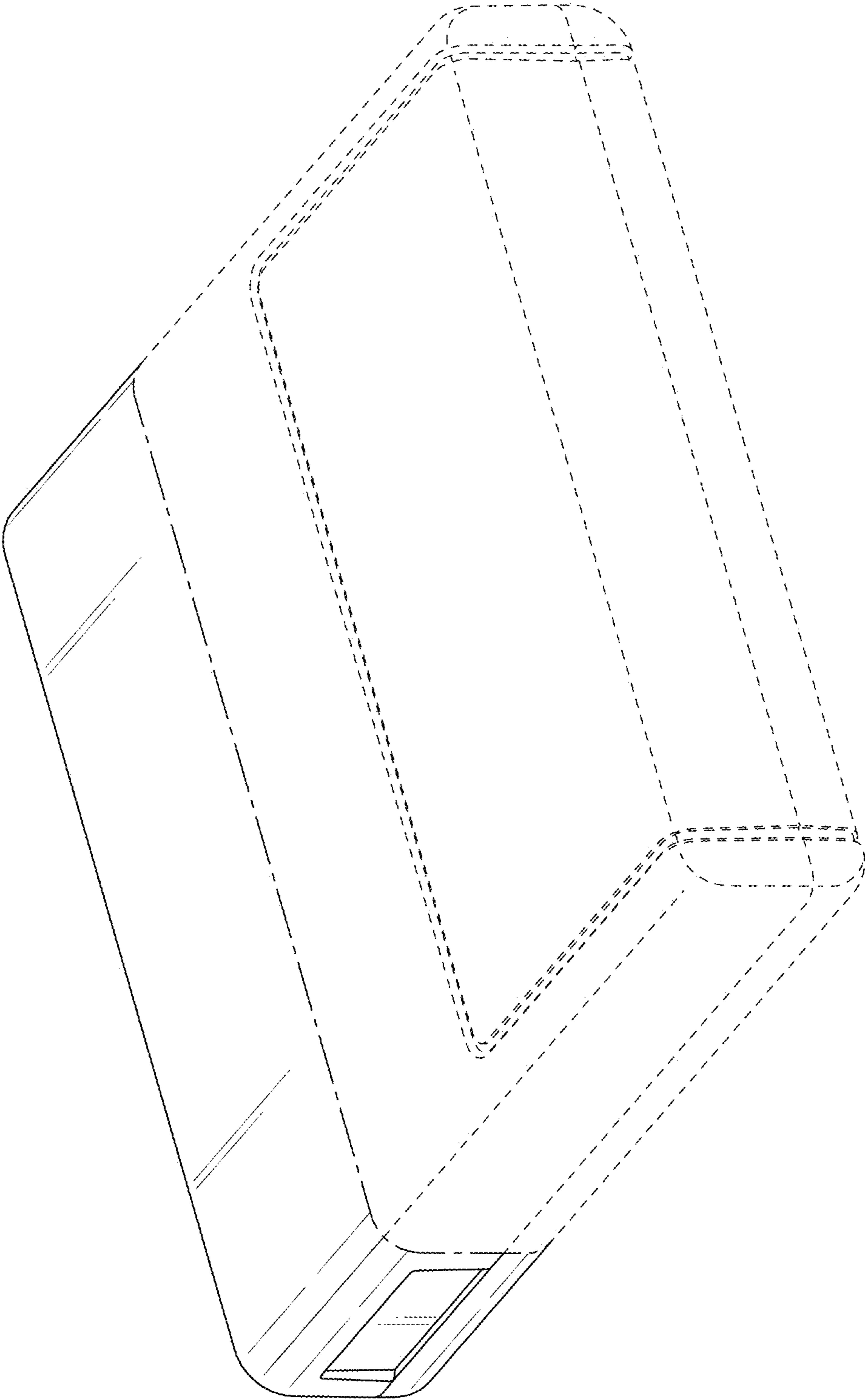


FIG. 2

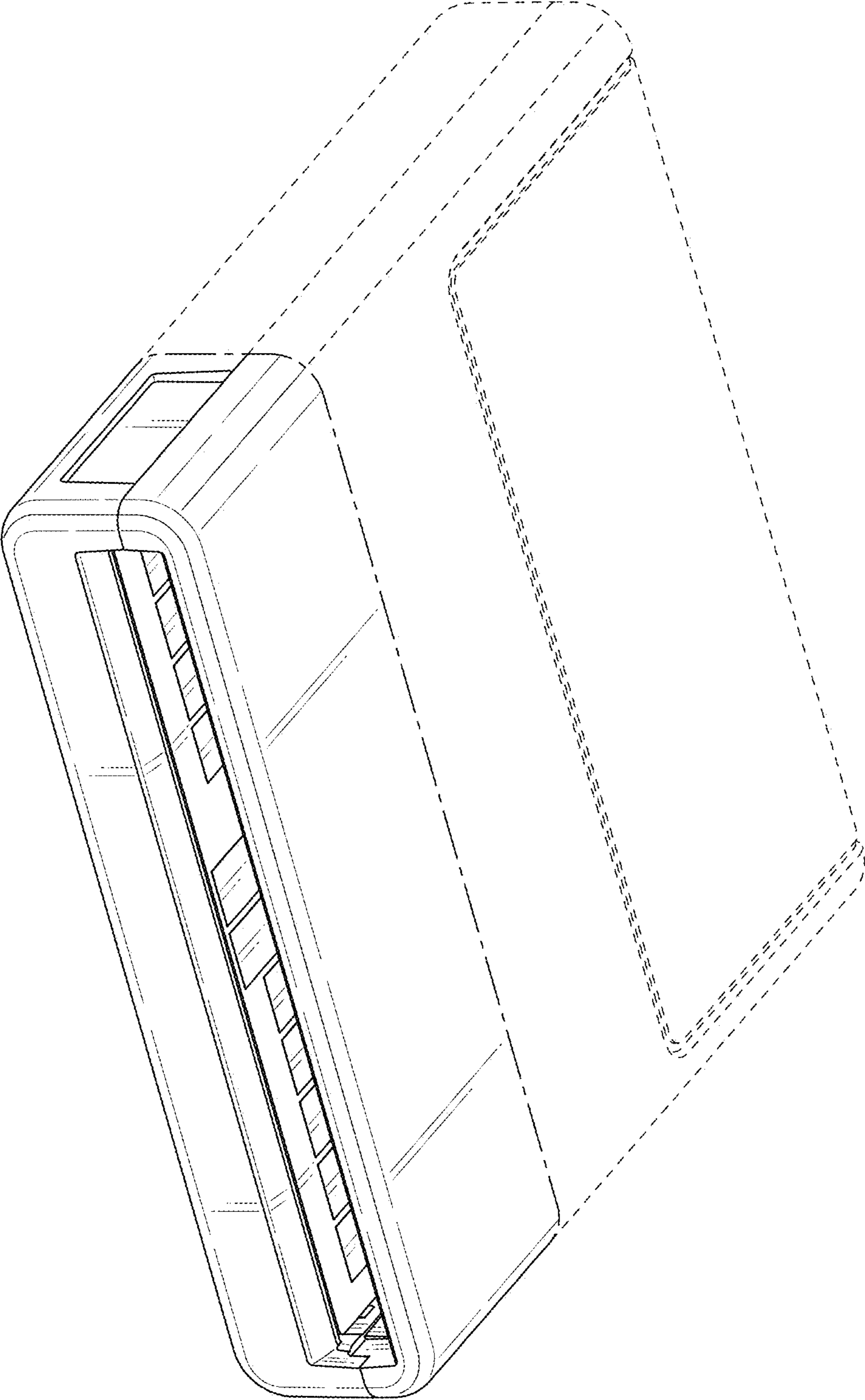


FIG. 3

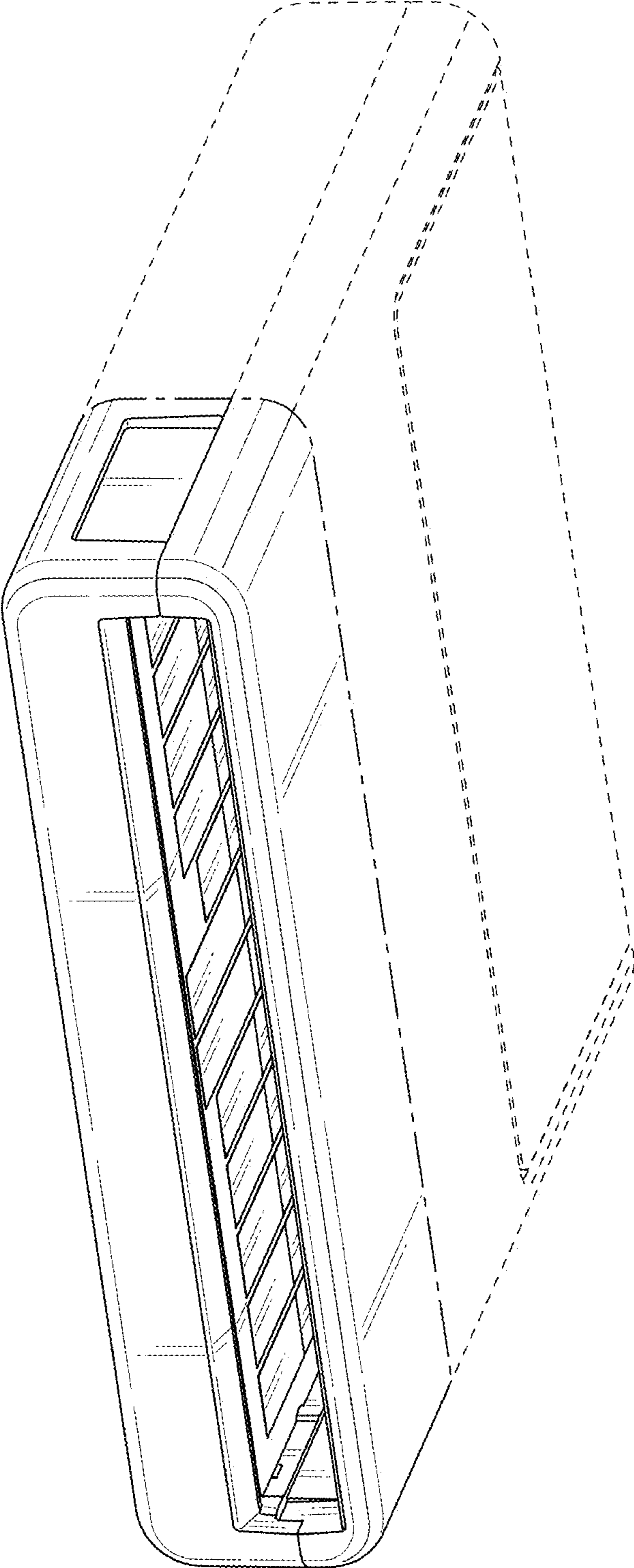


FIG. 4

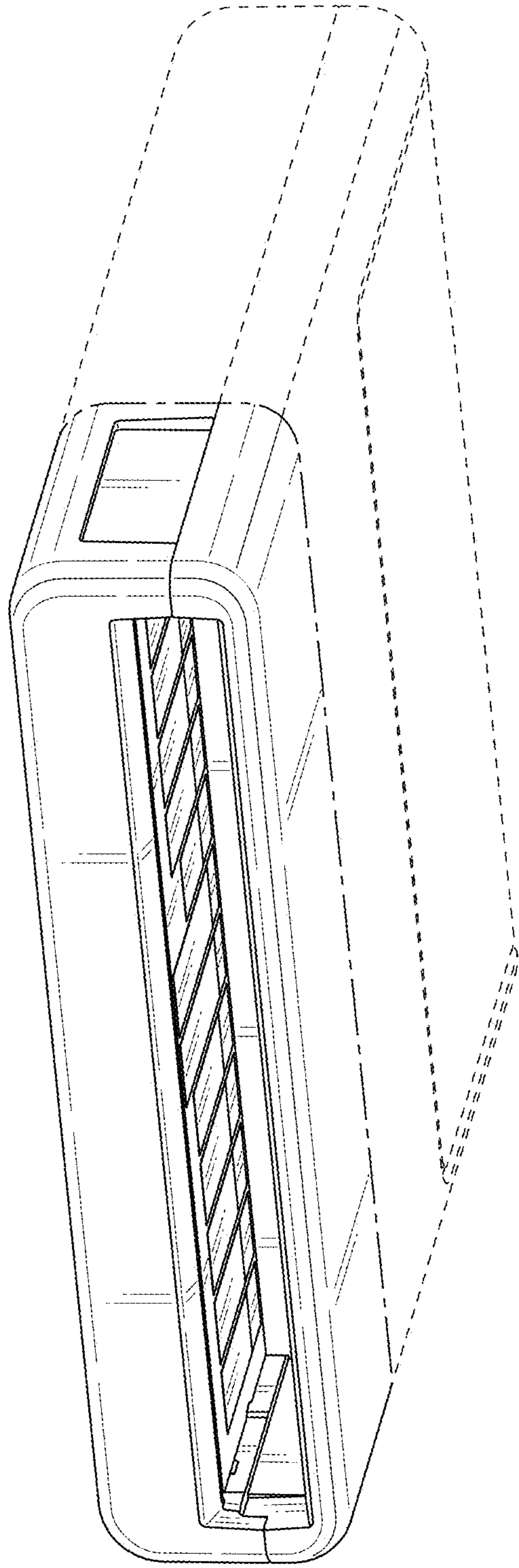


FIG. 5

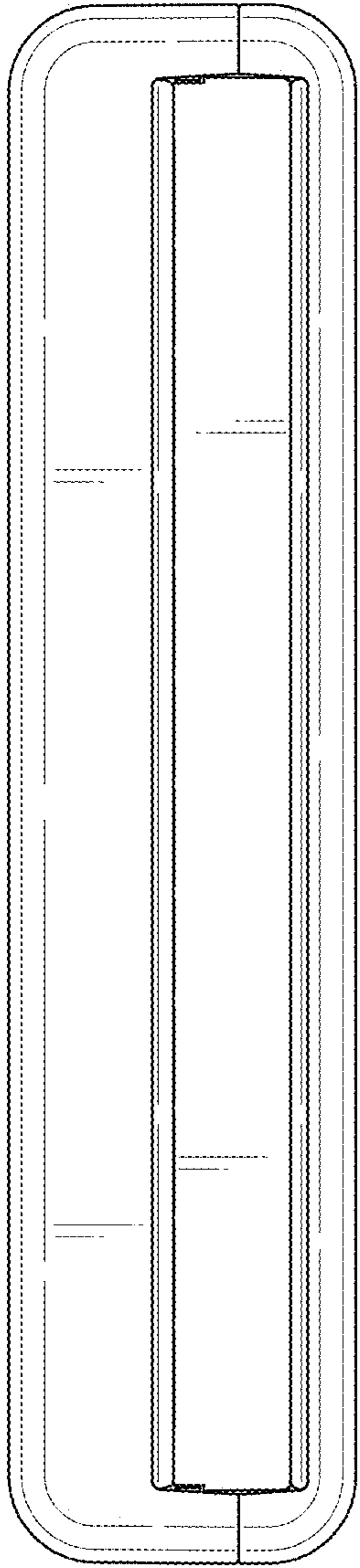


FIG. 6

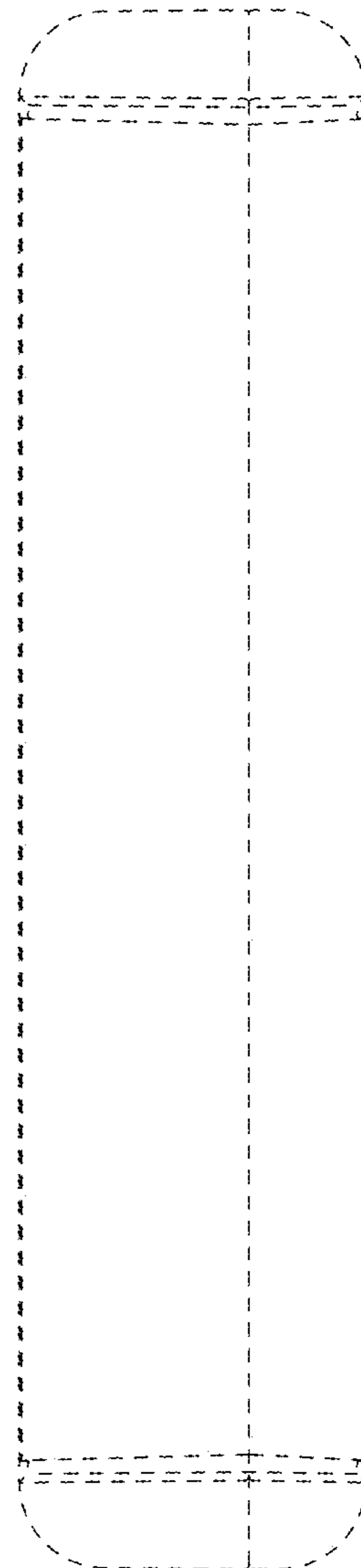


FIG. 7



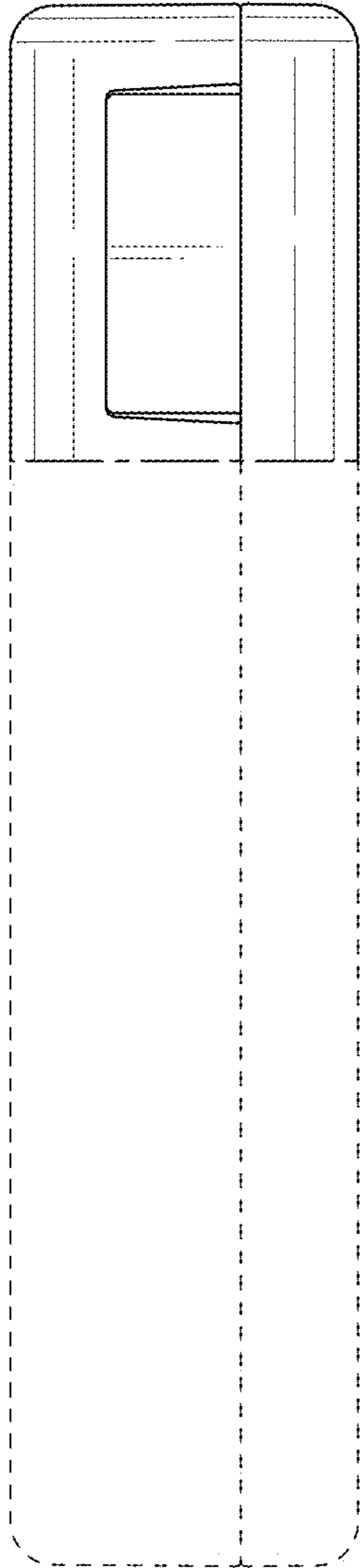


FIG. 8

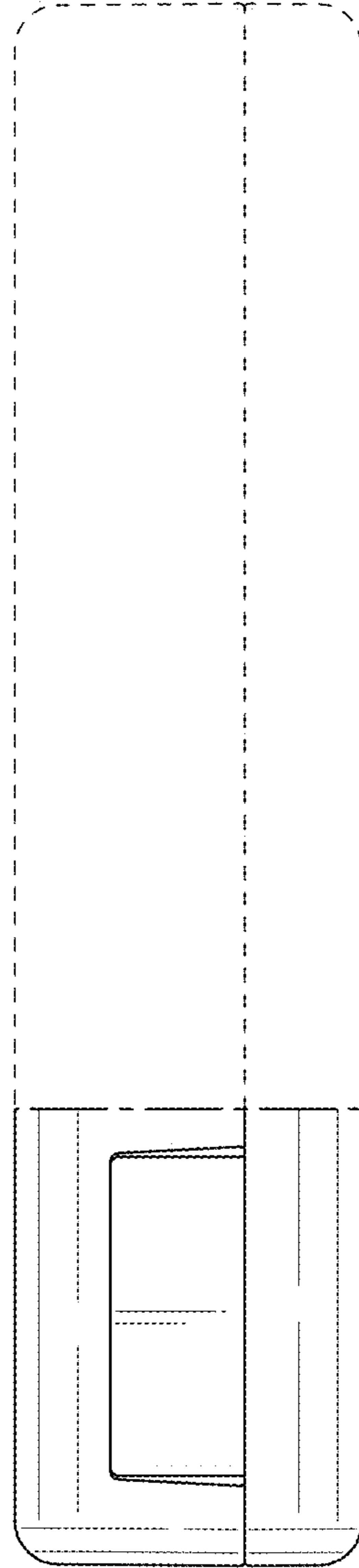


FIG. 9

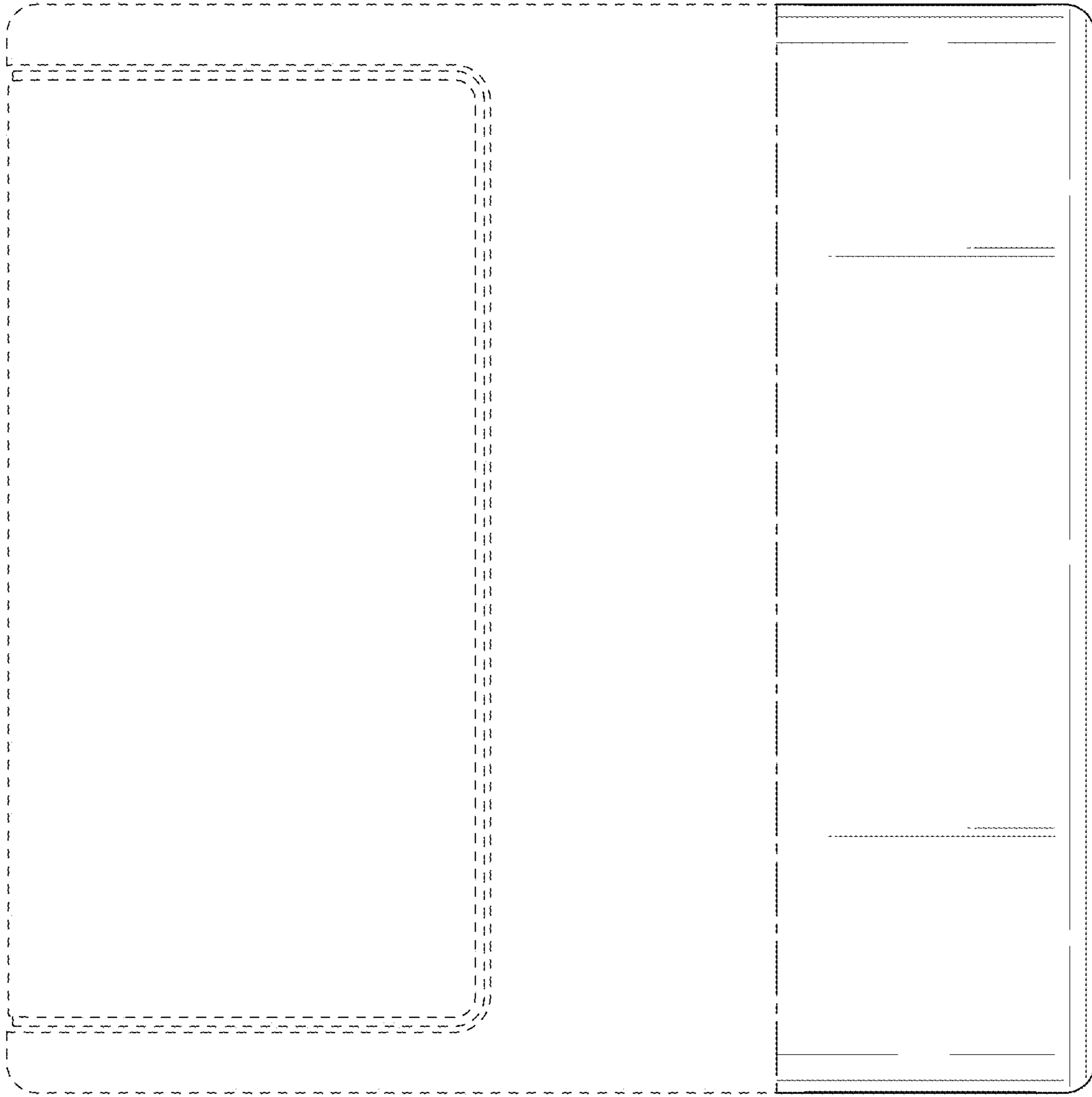


FIG. 10

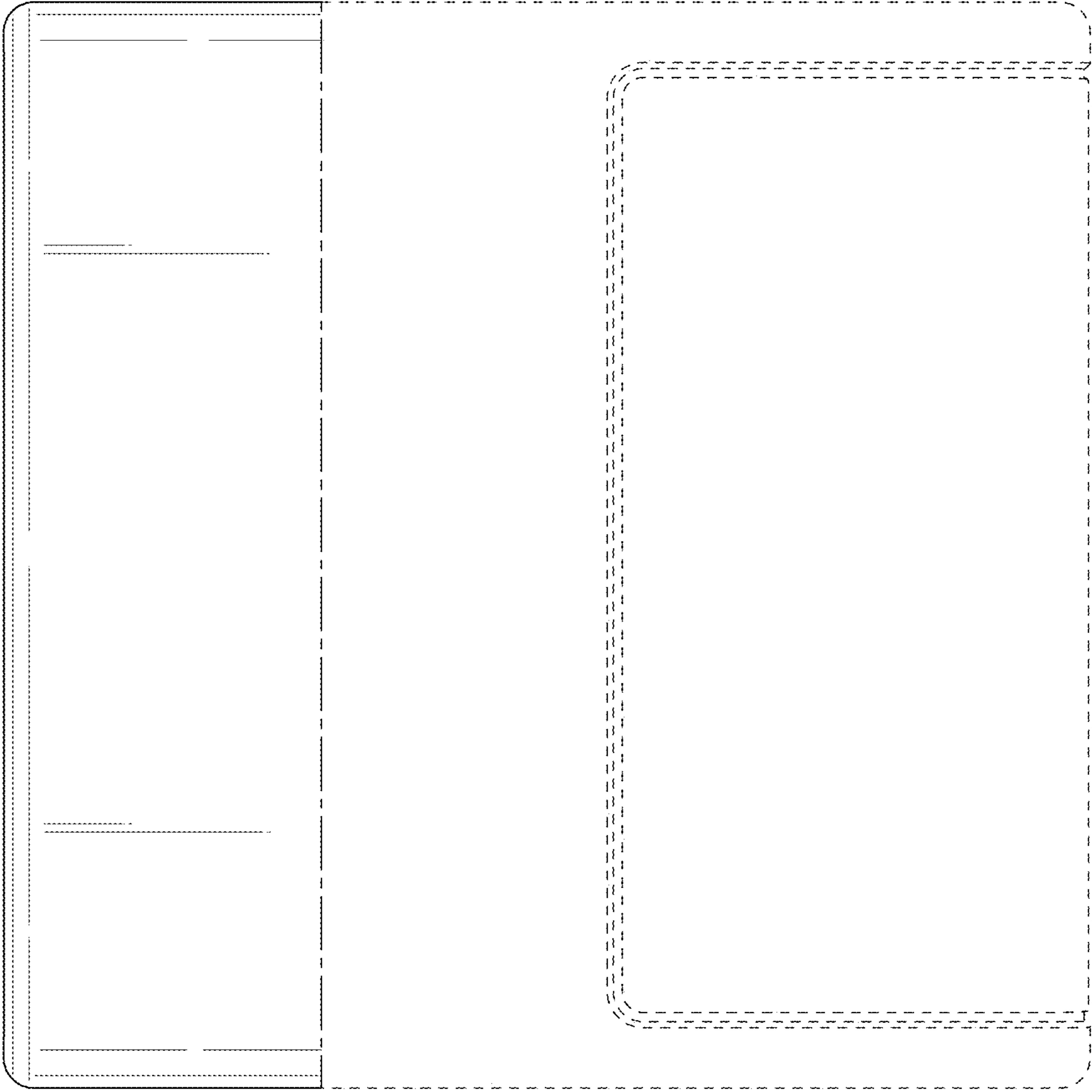


FIG. 11

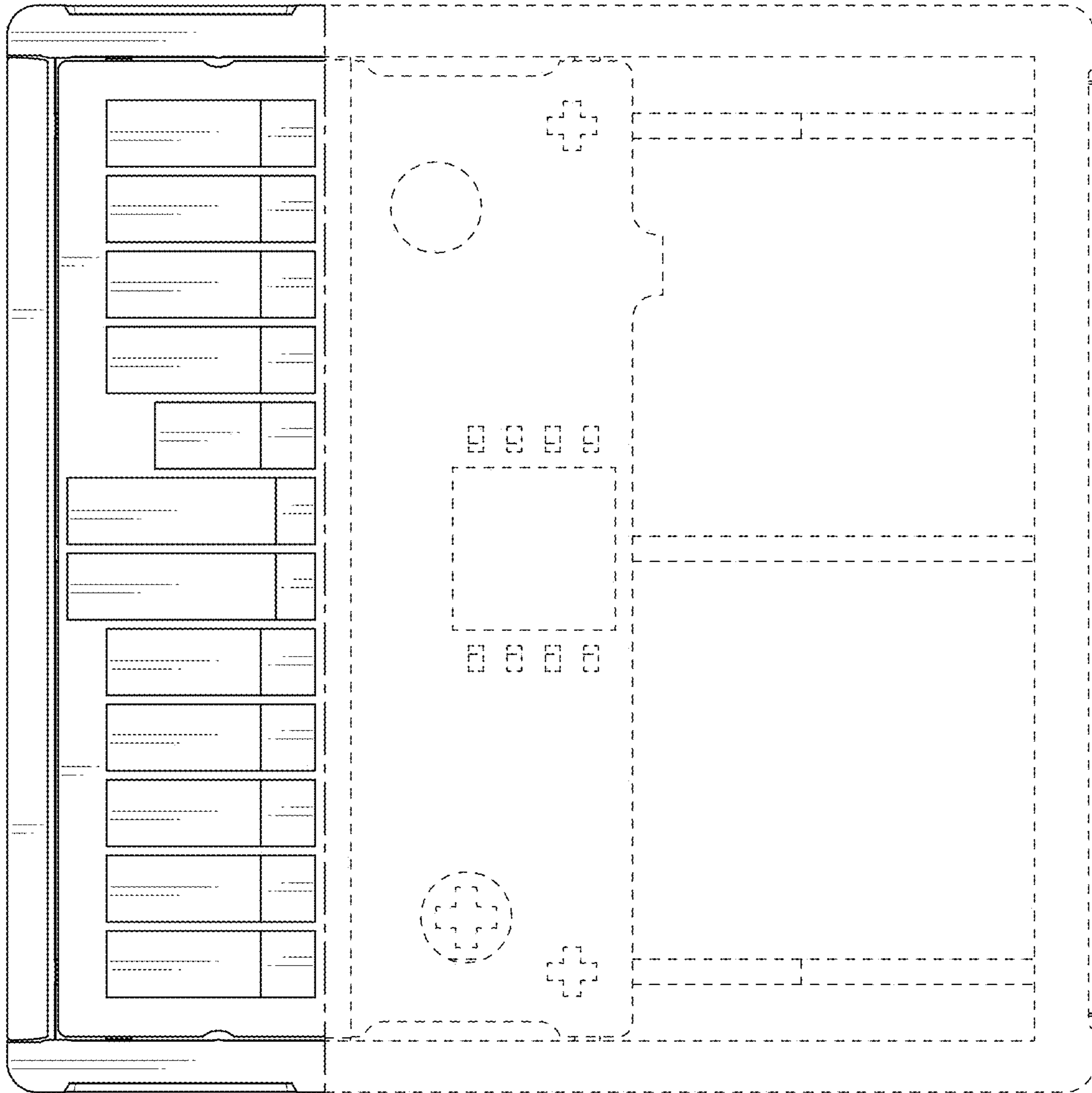


FIG. 12