

US00D902935S

(12) **United States Design Patent** (10) **Patent No.:** **US D902,935 S**
Li (45) **Date of Patent:** **** Nov. 24, 2020**

(54) **TABLET CASE**
(71) Applicant: **Shenzhen Baishanchuan Technology Co., Ltd, Guangdong (CN)**
(72) Inventor: **Jinxiong Li, Guangdong (CN)**
(**) Term: **15 Years**
(21) Appl. No.: **29/741,972**
(22) Filed: **Jul. 17, 2020**
(51) **LOC (12) Cl.** **14-02**
(52) **U.S. Cl.**
USPC **D14/440**
(58) **Field of Classification Search**
USPC D14/440, 447, 250; 206/45.23, 320, 206/45.2; 361/45.23, 320, 45.2; 294/25; 224/218
CPC G06F 1/1628; G06F 1/1626; G06F 1/1669; A47B 23/044; H04B 1/3888
See application file for complete search history.

D883,989 S * 5/2020 Cheng D14/440
D885,403 S * 5/2020 Ma D14/440
D886,108 S * 6/2020 Zhu D14/440
D894,195 S * 8/2020 Chen D14/447
2013/0088431 A1* 4/2013 Ballagas G06F 1/1626 345/168

* cited by examiner

Primary Examiner — Cynthia R Underwood
(74) *Attorney, Agent, or Firm* — ZANIP

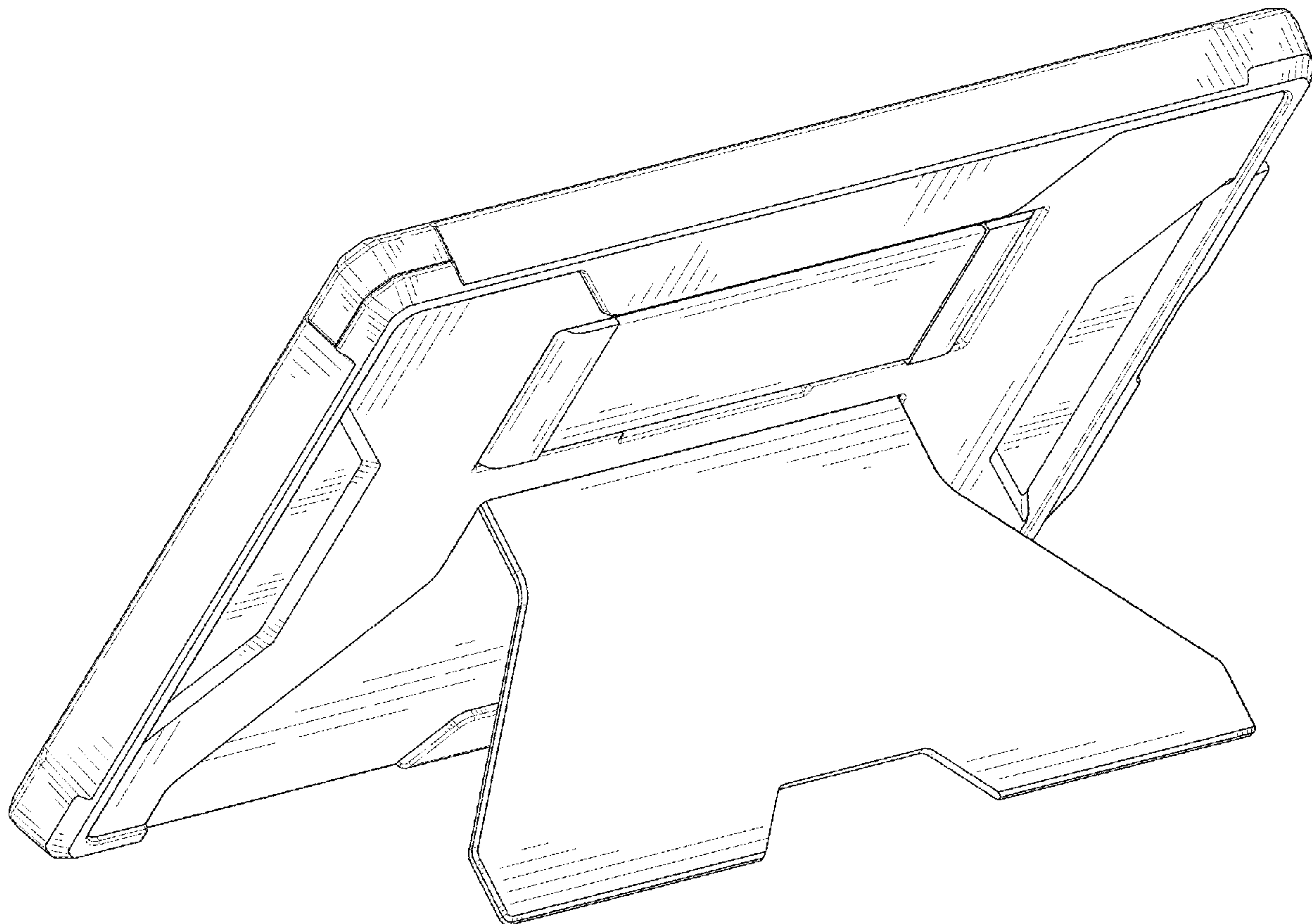
(57) **CLAIM**
The ornamental design for a tablet case, as shown and described.

DESCRIPTION

FIG. 1 is a front and top perspective view of a tablet case, showing my new design;
FIG. 2 is a rear and bottom perspective view thereof;
FIG. 3 is a front view thereof;
FIG. 4 is a rear view thereof;
FIG. 5 is a left side view thereof;
FIG. 6 is a right side view thereof;
FIG. 7 is a top view thereof;
FIG. 8 is a bottom view thereof; and,
FIG. 9 is a perspective view thereof, showing the tablet case in an unfolded status.
The broken lines in the figures illustrate portions of the tablet case that form no part of the claimed design.

1 Claim, 9 Drawing Sheets

(56) **References Cited**
U.S. PATENT DOCUMENTS
D851,649 S 6/2019 Tan
D868,789 S * 12/2019 Weng D14/440
D875,102 S * 2/2020 Gao D14/440



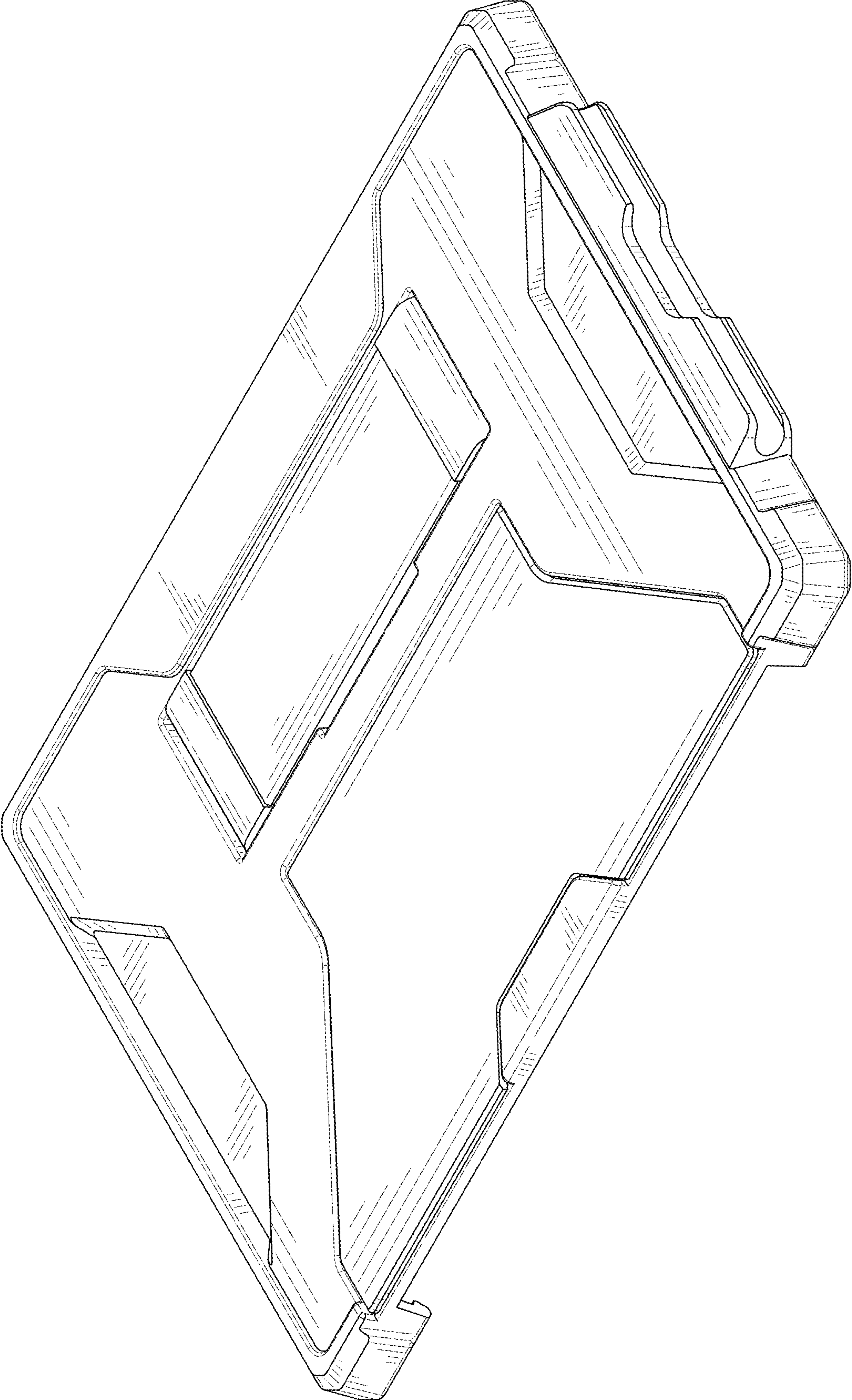


FIG. 1

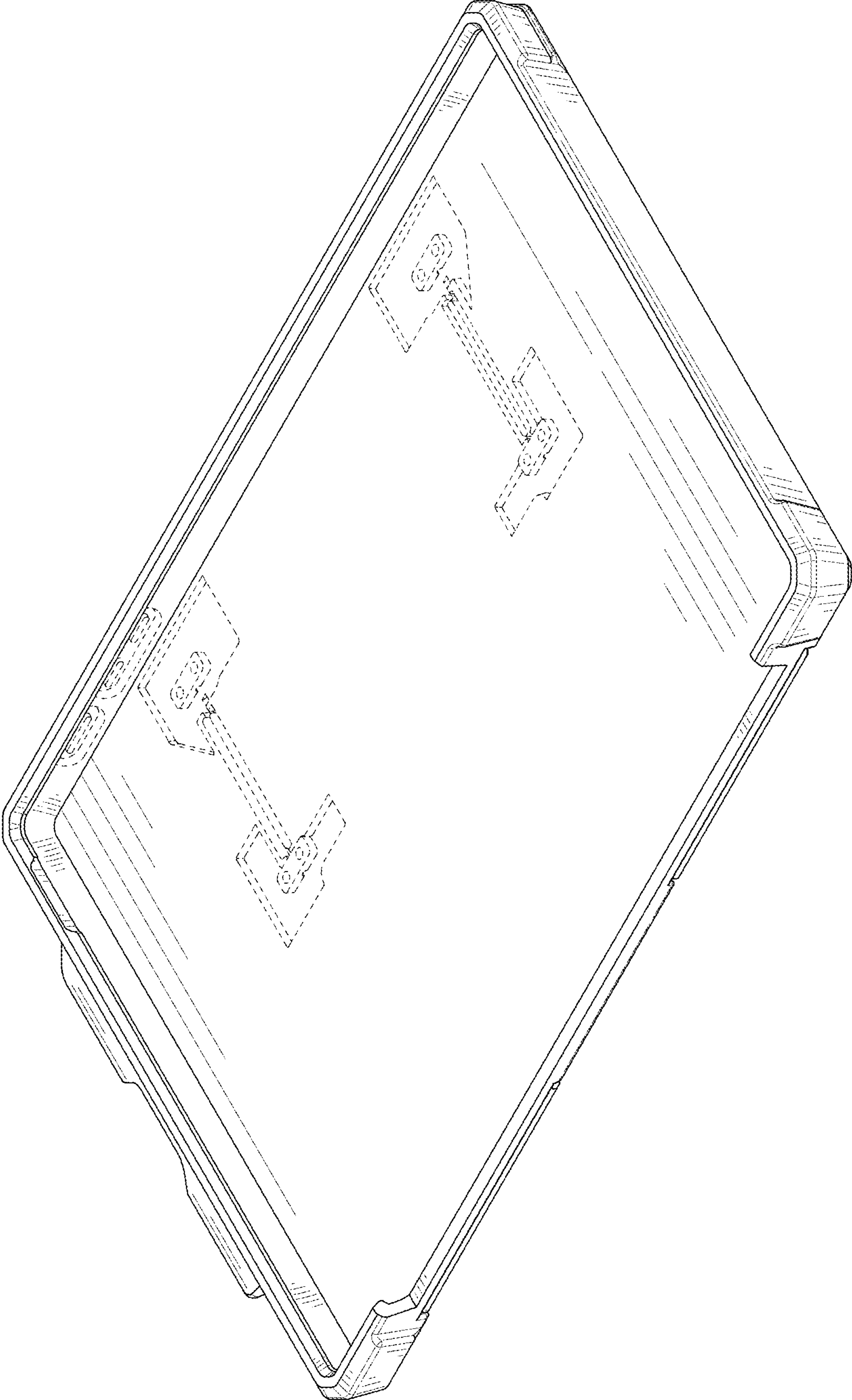


FIG. 2

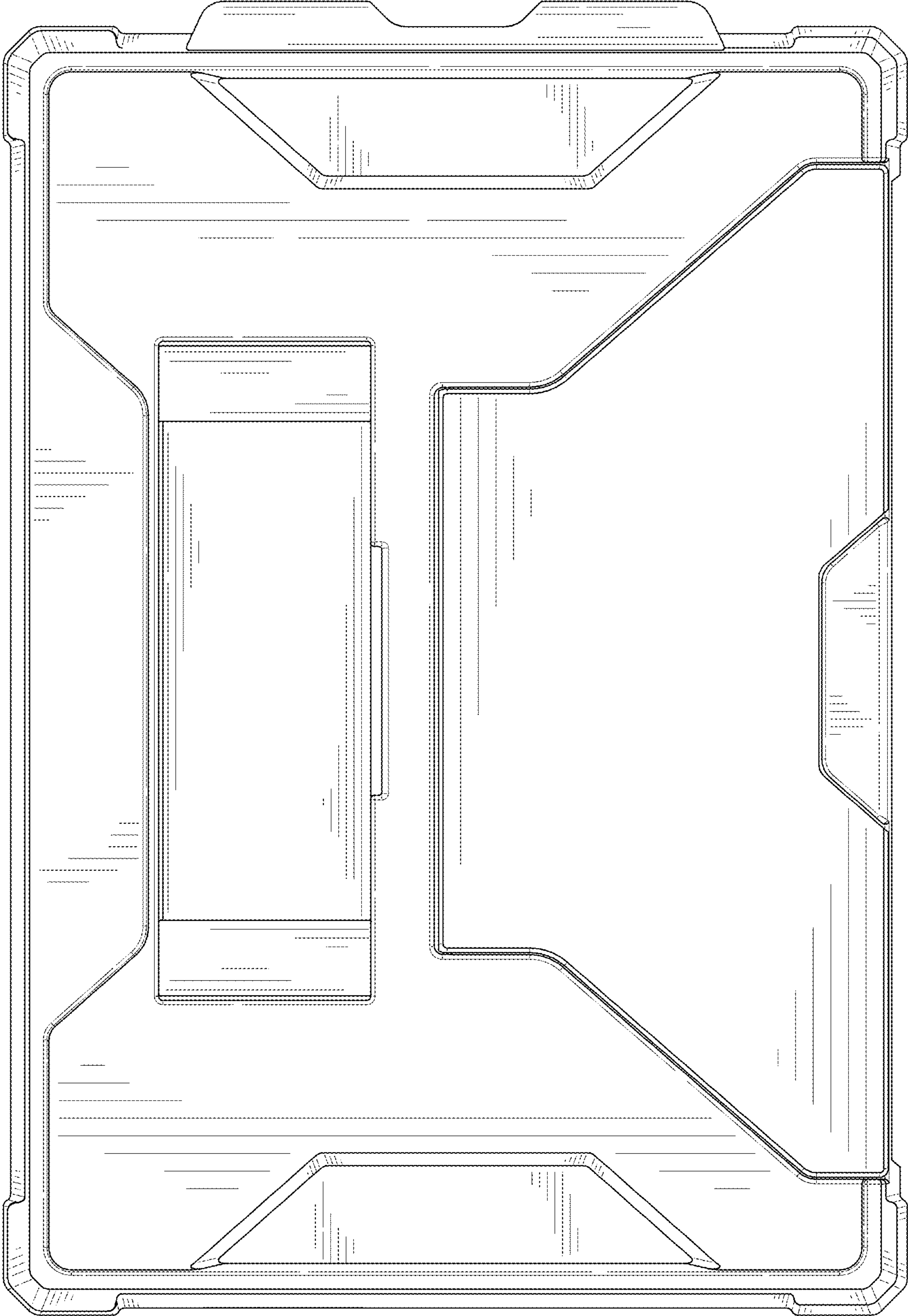


FIG. 3

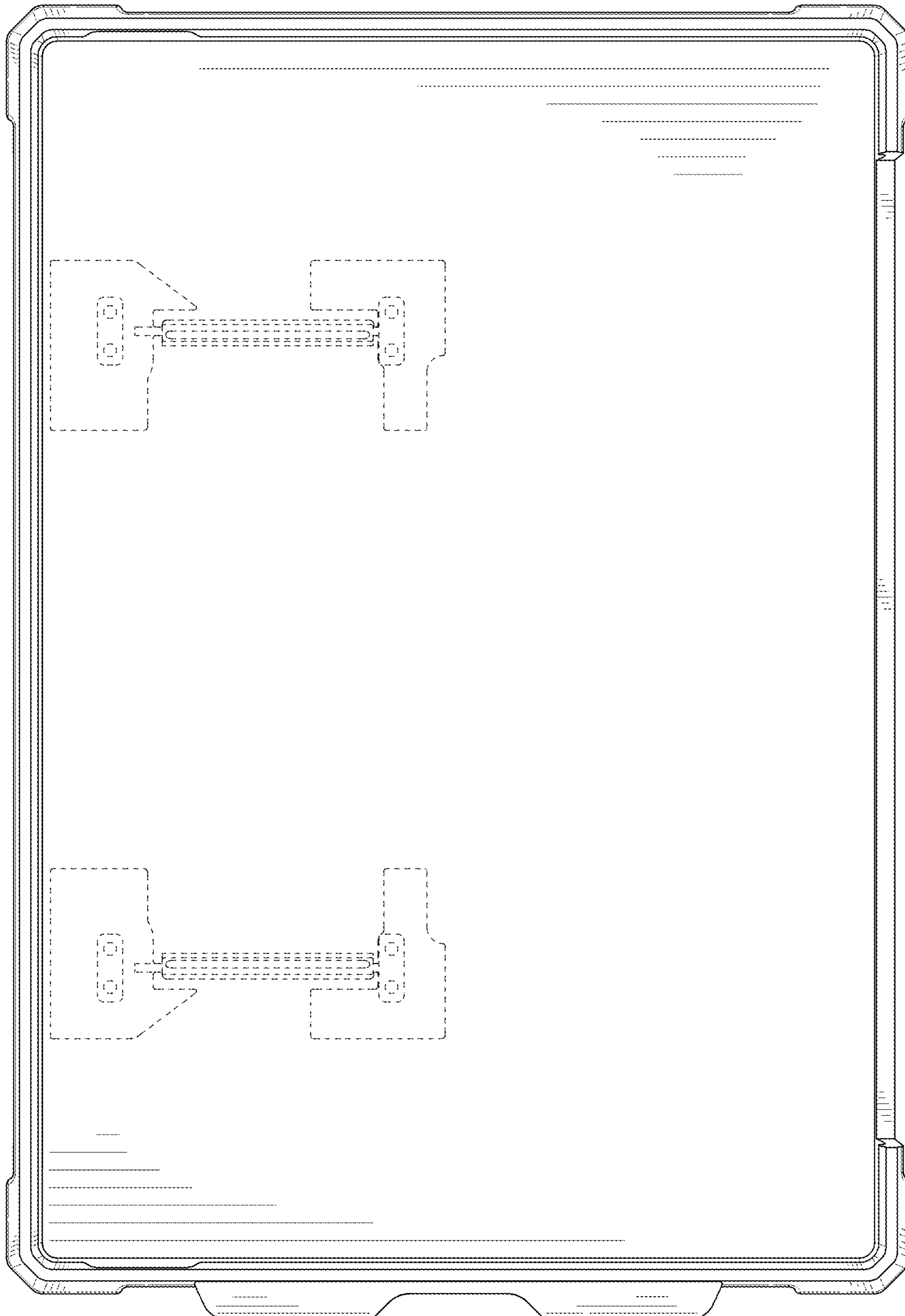


FIG. 4

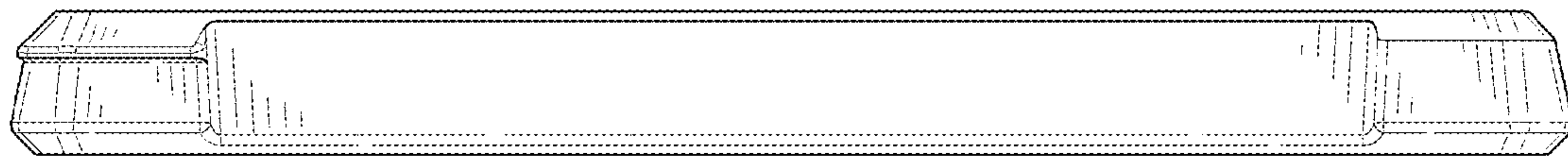


FIG. 5

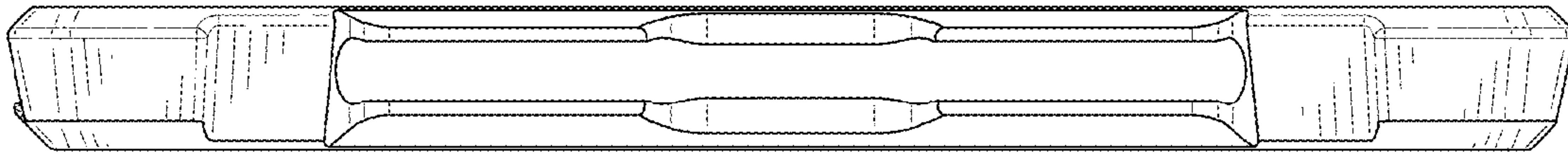


FIG. 6

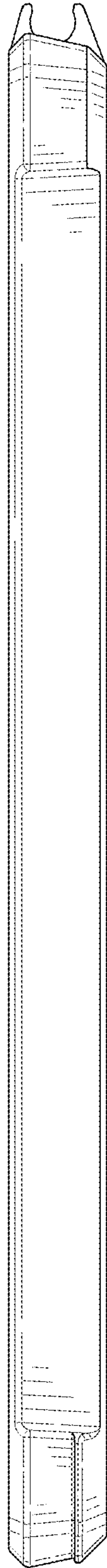


FIG. 7

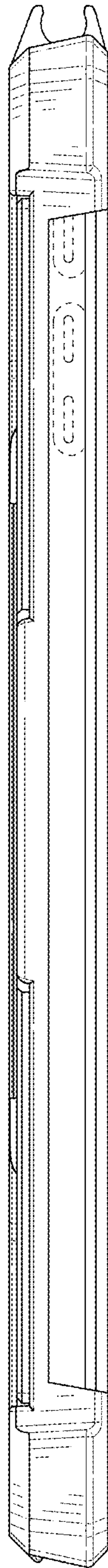


FIG. 8

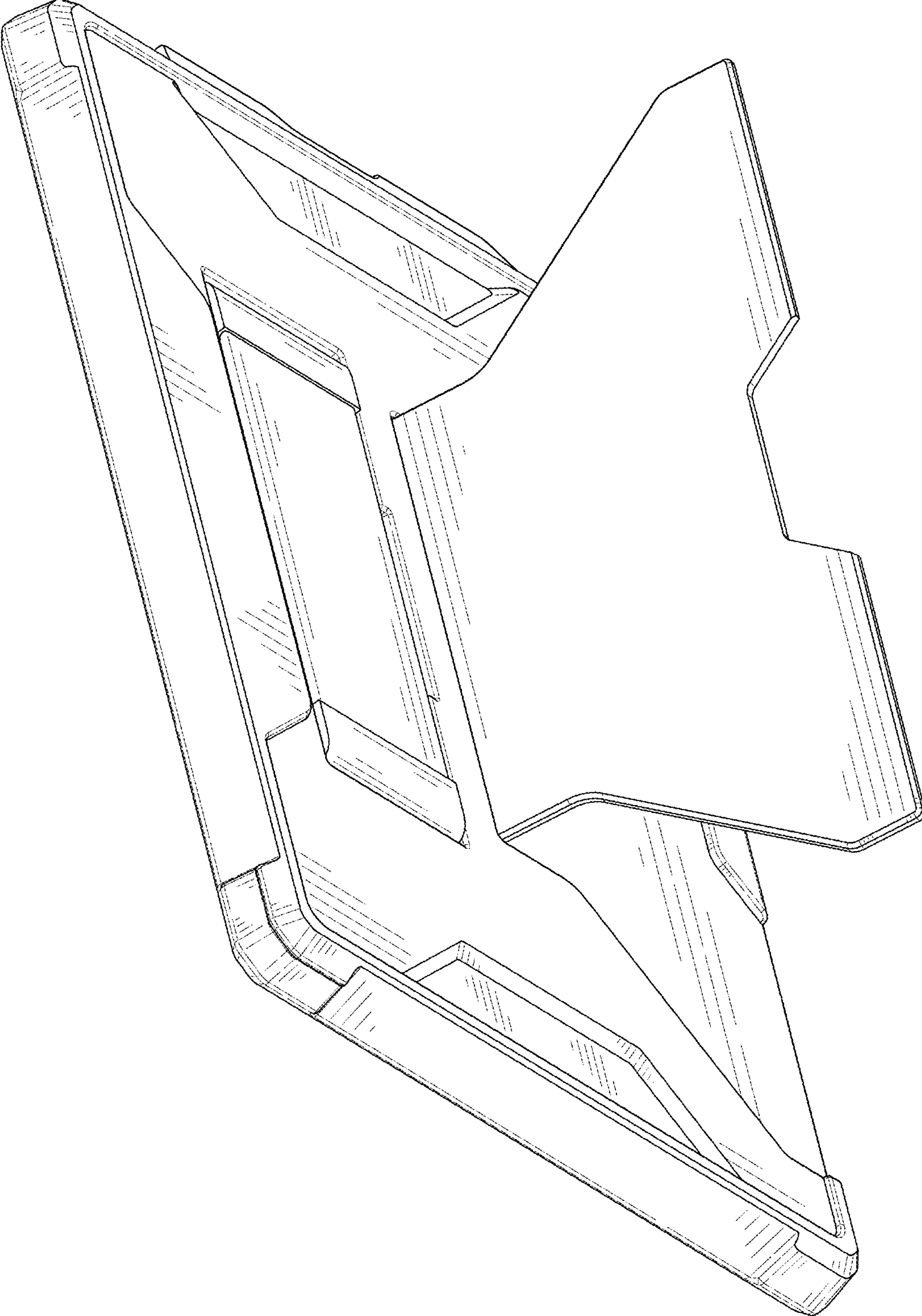


FIG. 9