

US00D902933S

(12) **United States Design Patent** (10) **Patent No.:** **US D902,933 S**
Zhang (45) **Date of Patent:** **** Nov. 24, 2020**

(54) **FITBIT VERSA CASE**
(71) Applicant: **Mengyue Zhang**, Xiangyang (CN)
(72) Inventor: **Mengyue Zhang**, Xiangyang (CN)
(**) Term: **15 Years**
(21) Appl. No.: **29/740,942**
(22) Filed: **Jul. 8, 2020**
(51) **LOC (12) Cl.** **14-02**
(52) **U.S. Cl.**
USPC **D14/440; D10/132**
(58) **Field of Classification Search**
USPC D14/440, 447, 250; 206/45.23, 320,
206/45.2, 224; 294/25; 224/218;
361/679.55; D10/132
CPC G06F 1/1628; G06F 1/1626; G06F 1/1669;
G06F 1/1679; A47B 23/044; H04B
1/3888; A45C 11/00
See application file for complete search history.

D766,905 S * 9/2016 Lee D14/440
D766,906 S * 9/2016 Kim D14/440
D767,573 S * 9/2016 Kim D14/440
D769,879 S * 10/2016 Kim D14/440
D780,740 S * 3/2017 Kim D14/250
D786,879 S * 5/2017 Kim D14/440
D883,072 S * 5/2020 Branham D8/353
D885,229 S * 5/2020 Kim D10/132
D885,230 S * 5/2020 Kim D10/132
D888,032 S 6/2020 Armstrong et al.
D889,453 S 7/2020 Hyneczek et al.
D890,764 S * 7/2020 Yang D14/440
D897,350 * 9/2020 Wang D14/440
2010/0061191 A1 * 3/2010 Chen G04G 15/00
368/109
2013/0222139 A1 * 8/2013 Gouge A61B 5/01
340/573.1
2017/0248922 A1 * 8/2017 Hyneczek G04B 37/005

* cited by examiner

Primary Examiner — Cynthia R Underwood
(74) *Attorney, Agent, or Firm* — ScienBiziP, P.C.

(57) **CLAIM**

The ornamental design for a fitbit versa case, as shown and described.

(56) **References Cited**

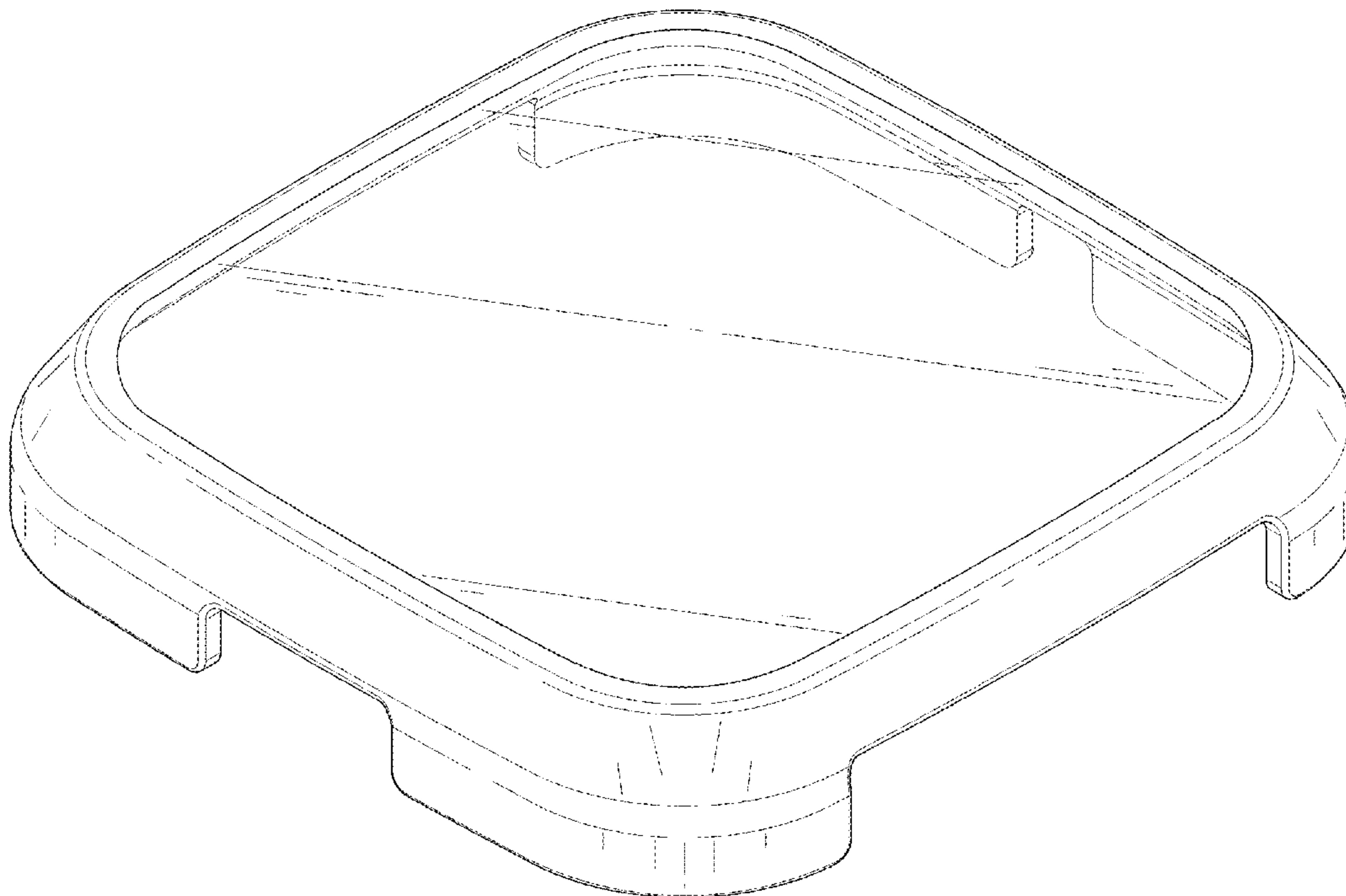
U.S. PATENT DOCUMENTS

D118,613 S * 1/1940 Blazey D10/125
D225,426 S * 12/1972 Baschmakoff D10/132
D242,695 S * 12/1976 Osawa D10/132
D447,964 S * 9/2001 Kompa D10/103
D542,627 S * 5/2007 Rohmer D8/353
D564,862 S * 3/2008 Lin D8/353
D735,199 S * 7/2015 Song D14/432
D735,200 S * 7/2015 Song D14/432
D751,558 S * 3/2016 Lee D14/432
D752,044 S * 3/2016 Akana D14/344
D756,244 S * 5/2016 Bastian D10/39
D766,904 S * 9/2016 Jung D14/440

DESCRIPTION

FIG. 1 is a front and top perspective view of a fitbit versa case, showing my design.
FIG. 2 is a front elevation view thereof.
FIG. 3 is a rear elevation view thereof.
FIG. 4 is a left side elevation view thereof.
FIG. 5 is a right side elevation view thereof.
FIG. 6 is a top plan view thereof; and,
FIG. 7 is a bottom plan view thereof.

1 Claim, 7 Drawing Sheets



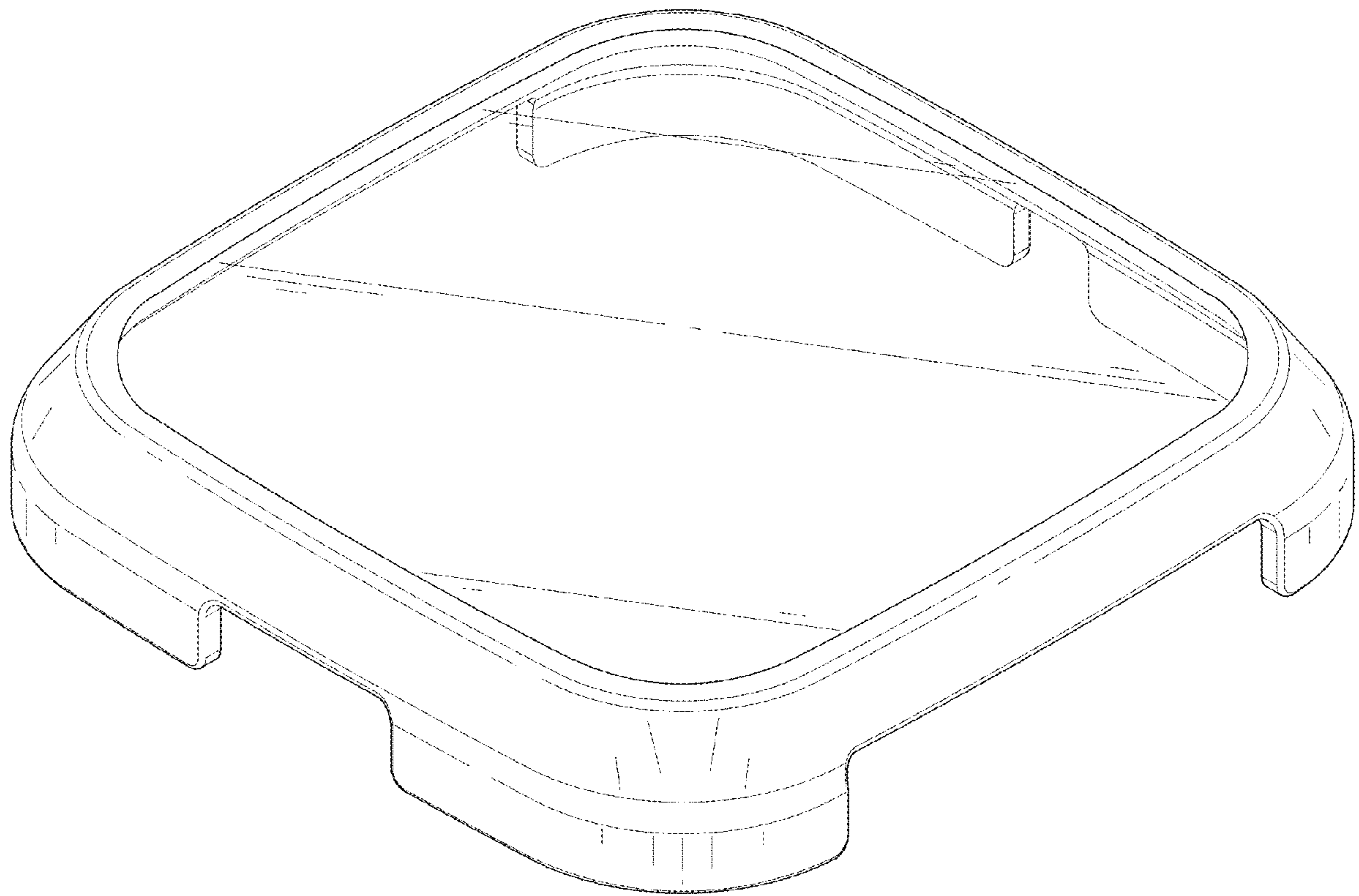


FIG.1

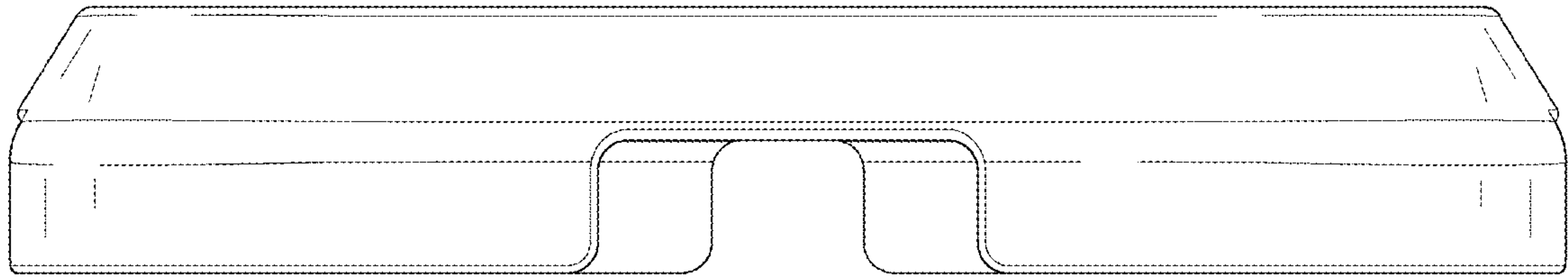


FIG.2

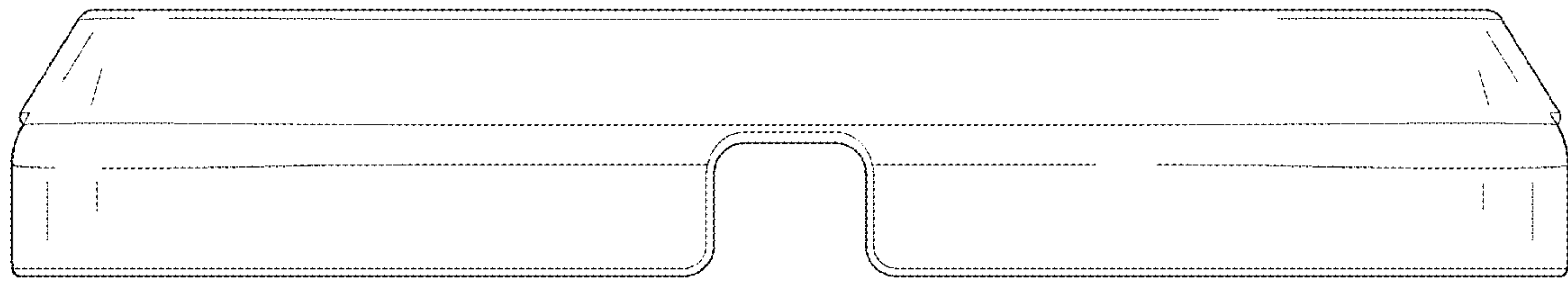


FIG.3

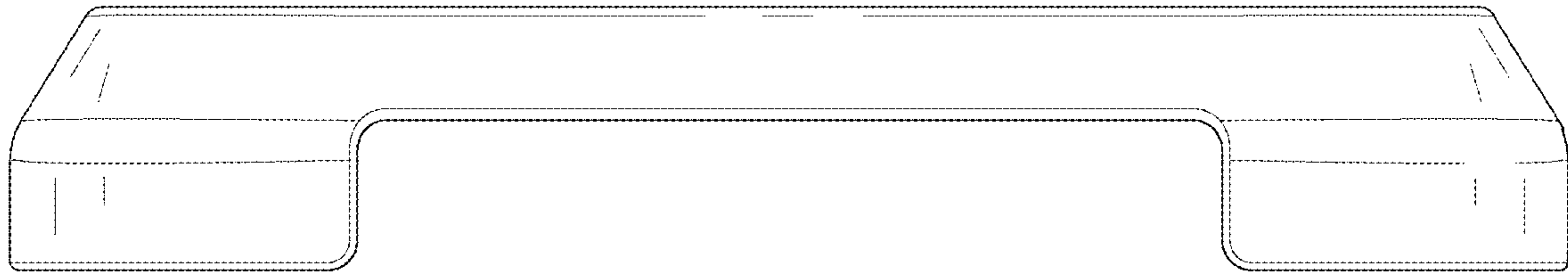


FIG.4

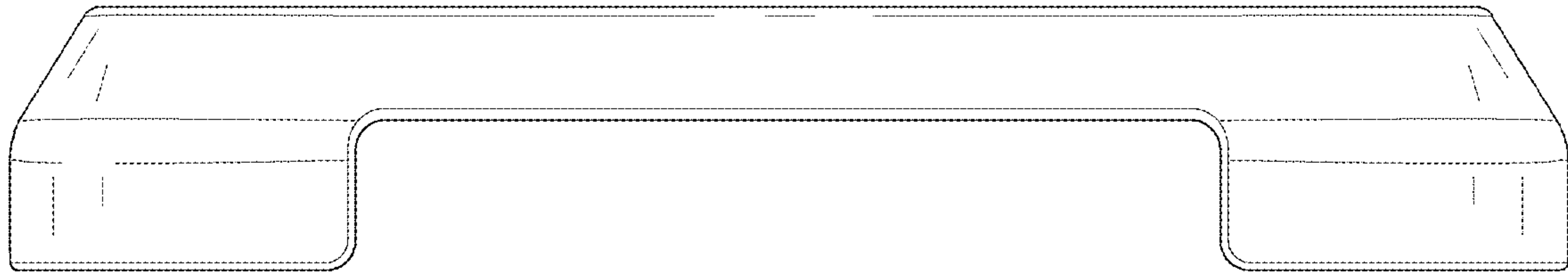


FIG.5

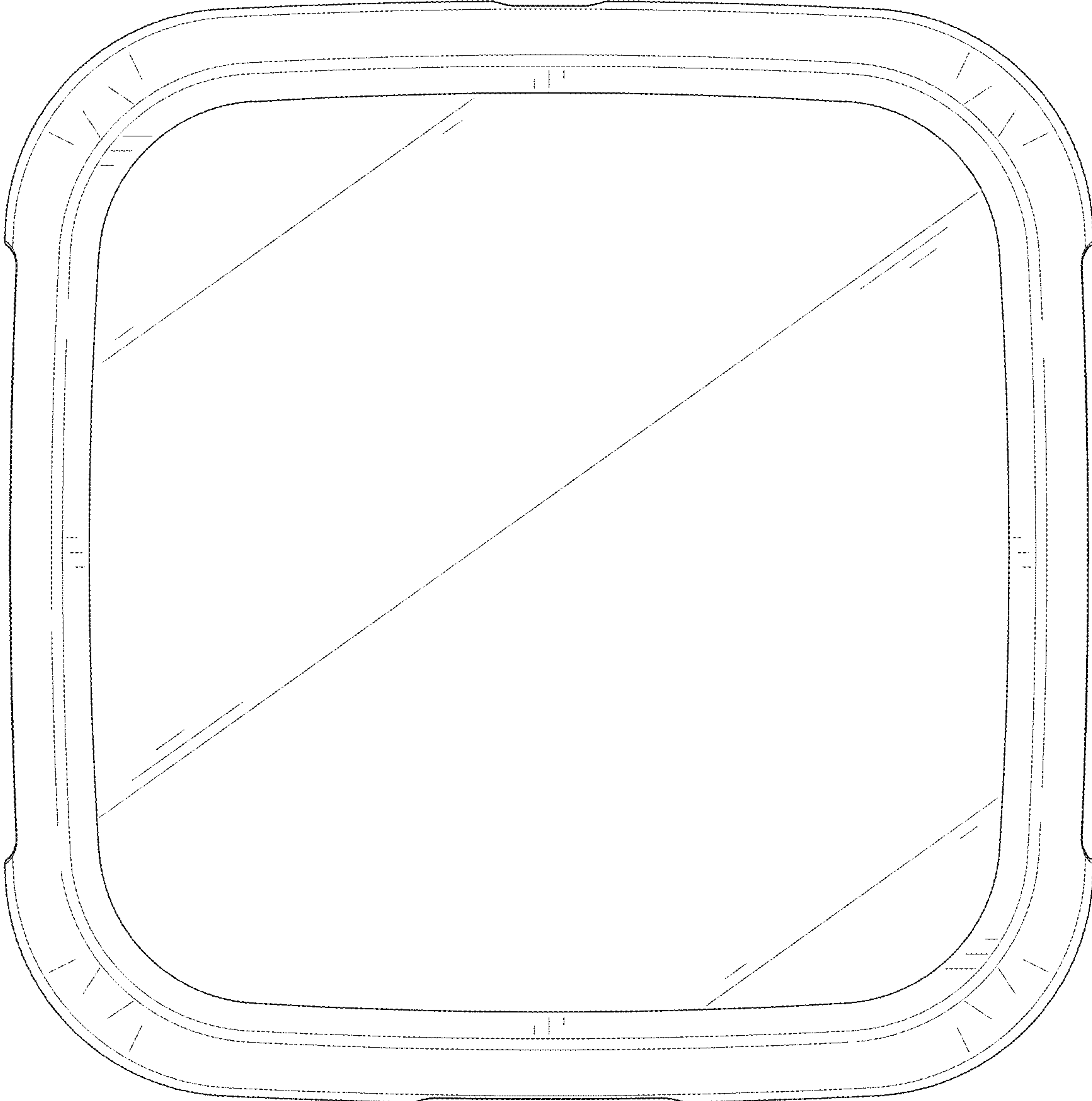


FIG.6

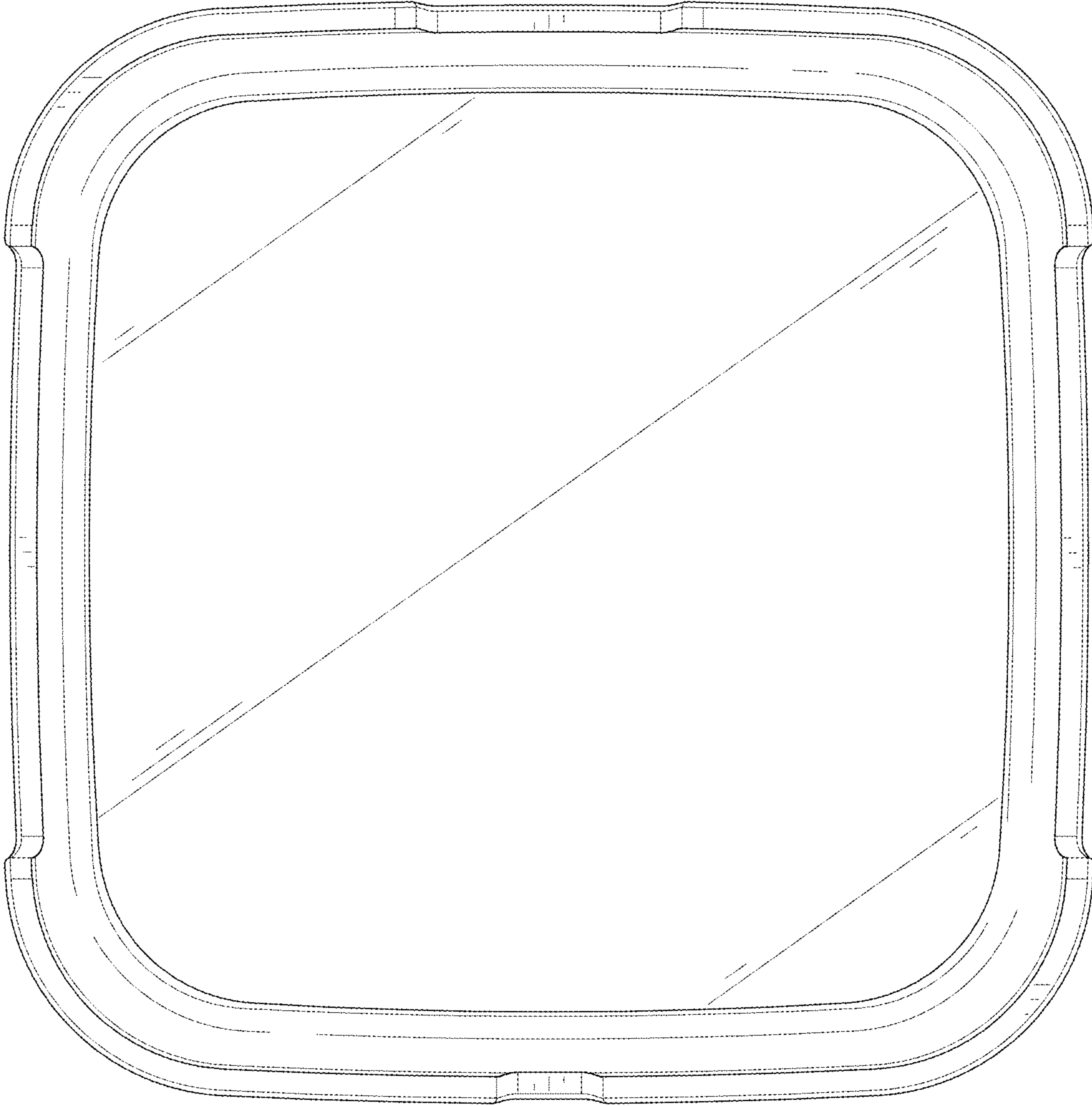


FIG. 7