



US00D902932S

(12) **United States Design Patent**
Zhang

(10) **Patent No.:** **US D902,932 S**

(45) **Date of Patent:** **** Nov. 24, 2020**

(54) **PROTECTIVE CASE FOR SMART WRISTBAND**

(71) Applicant: **Qifan Zhang**, Haifeng County (CN)

(72) Inventor: **Qifan Zhang**, Haifeng County (CN)

(73) Assignee: **Shenzhen Dingrui Precision Mould Co., Ltd**, Shenzhen (CN)

(**) Term: **15 Years**

(21) Appl. No.: **29/685,797**

(22) Filed: **Mar. 30, 2019**

(51) **LOC (12) Cl.** **14-02**

(52) **U.S. Cl.**
USPC **D14/440**

(58) **Field of Classification Search**
USPC D14/440, 447, 250; 206/45.23, 320, 206/45.2; 361/679.55; 294/25; 224/218
CPC G06F 1/1628; G06F 1/1626; G06F 1/669; A47B 23/044; H04B 1/3888
See application file for complete search history.

(56) **References Cited**

U.S. PATENT DOCUMENTS

D710,857 S * 8/2014 Mecchella D14/440
D723,038 S * 2/2015 Kim D14/440

D776,122 S * 1/2017 Akana D14/440
D776,123 S * 1/2017 Akana D14/440
D795,880 S * 8/2017 Akana D14/440
D810,750 S * 2/2018 Chang D14/434
D851,093 S * 6/2019 Moore D14/440
D855,057 S * 7/2019 Siedow D14/440
D859,416 S * 9/2019 Moore D14/440
D875,100 S * 2/2020 Chang D14/440

* cited by examiner

Primary Examiner — Cynthia R Underwood

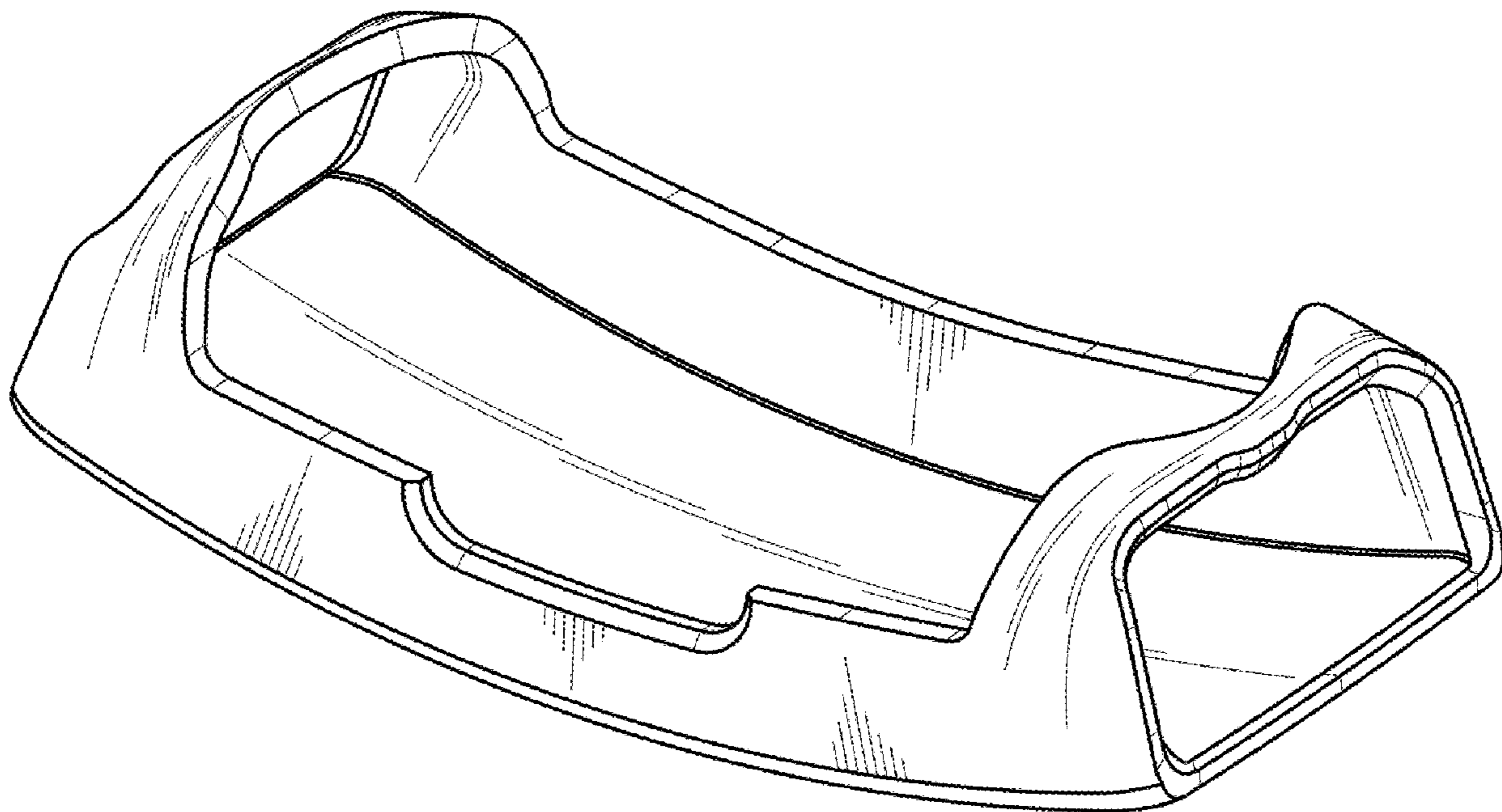
(57) **CLAIM**

The ornamental design for a protective case for smart wristband, as shown and described.

DESCRIPTION

FIG. 1 is a front perspective view of the protective case for smart wristband showing my new design; FIG. 2 is a rear perspective view thereof; FIG. 3 is a front elevational view thereof; FIG. 4 is a rear elevational view thereof; FIG. 5 is a left side elevational view thereof; FIG. 6 is a right side elevational view thereof; FIG. 7 is a top plan view thereof; and, FIG. 8 is a bottom plan view thereof.

1 Claim, 4 Drawing Sheets



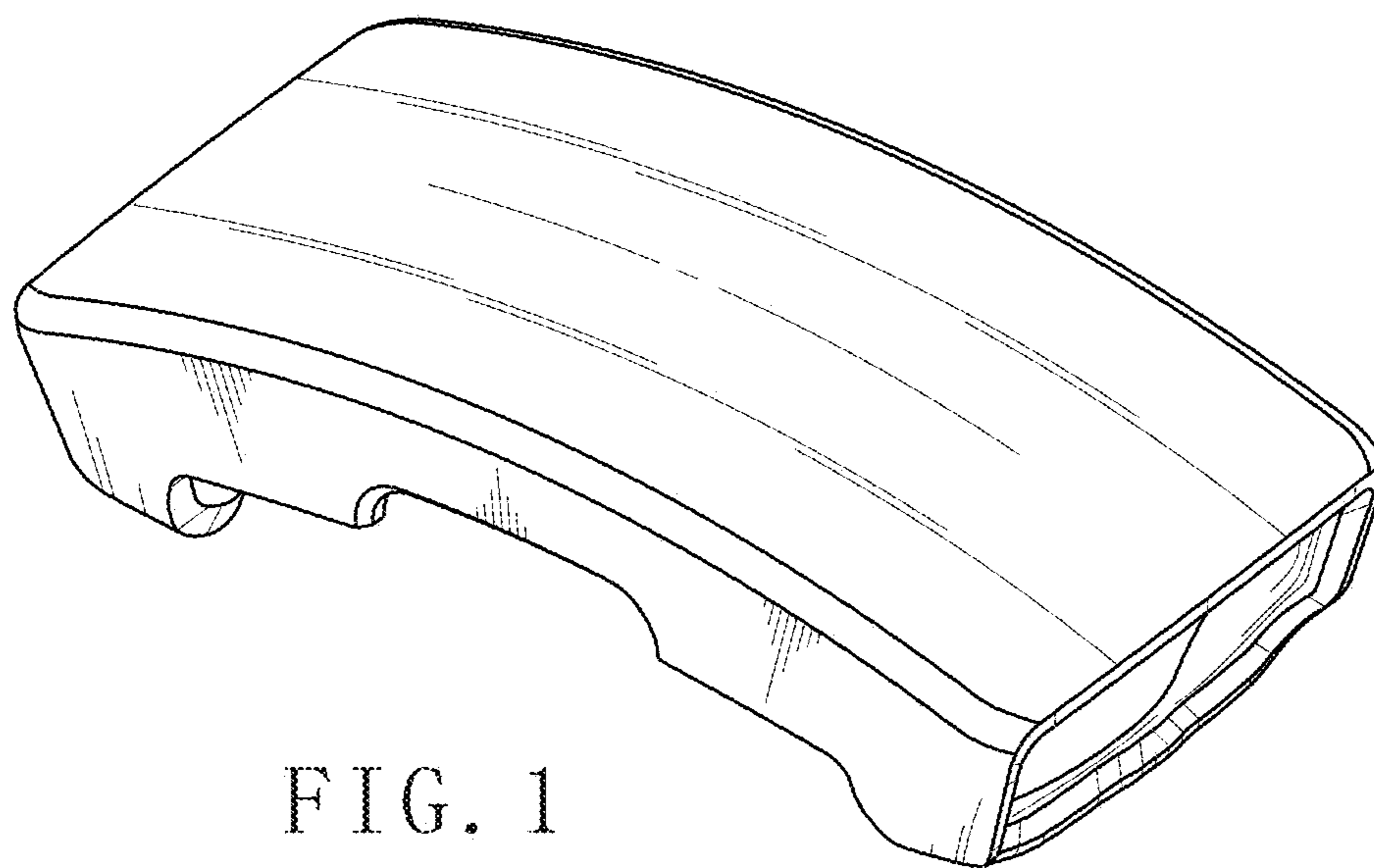


FIG. 1

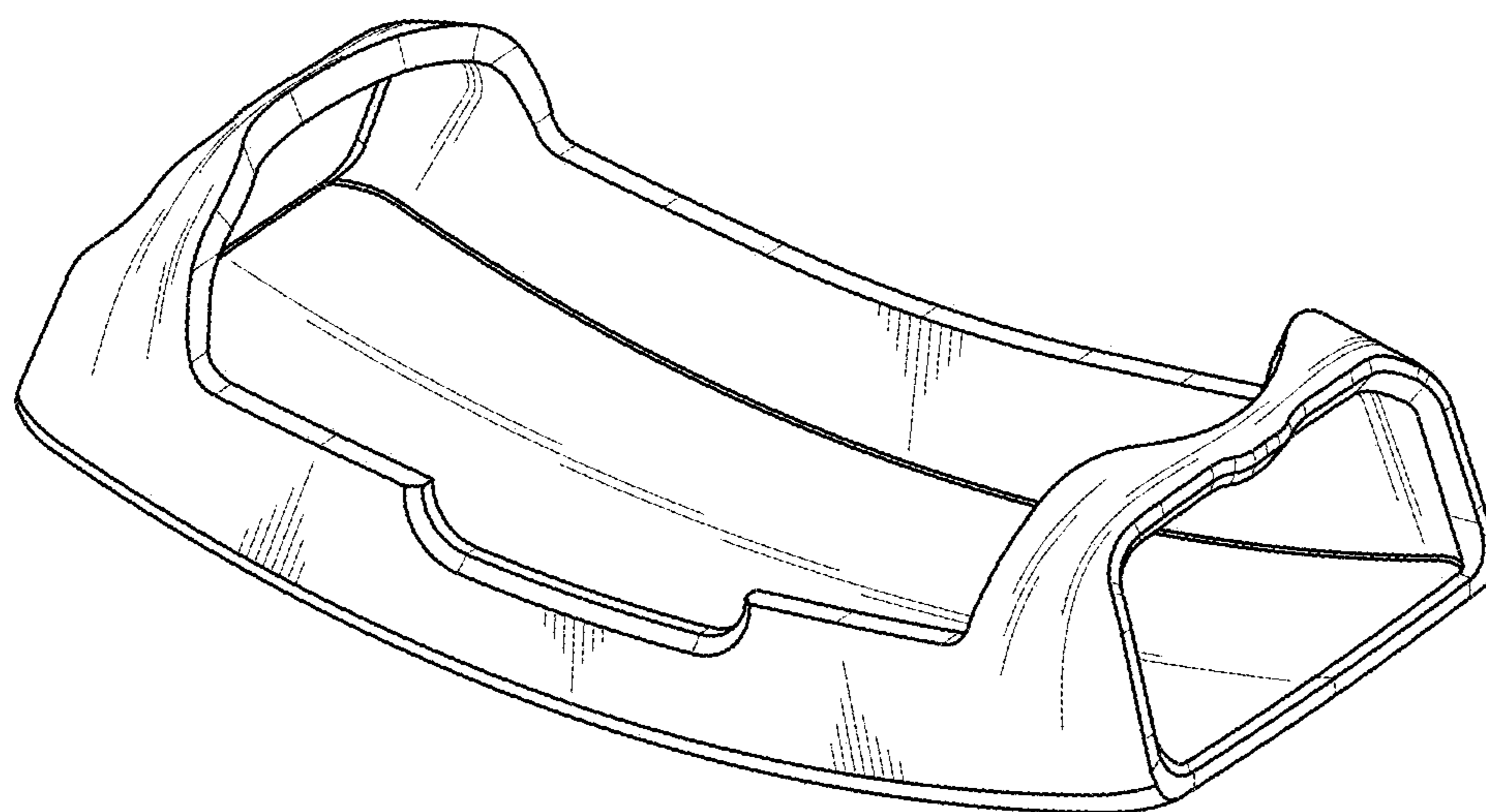


FIG. 2

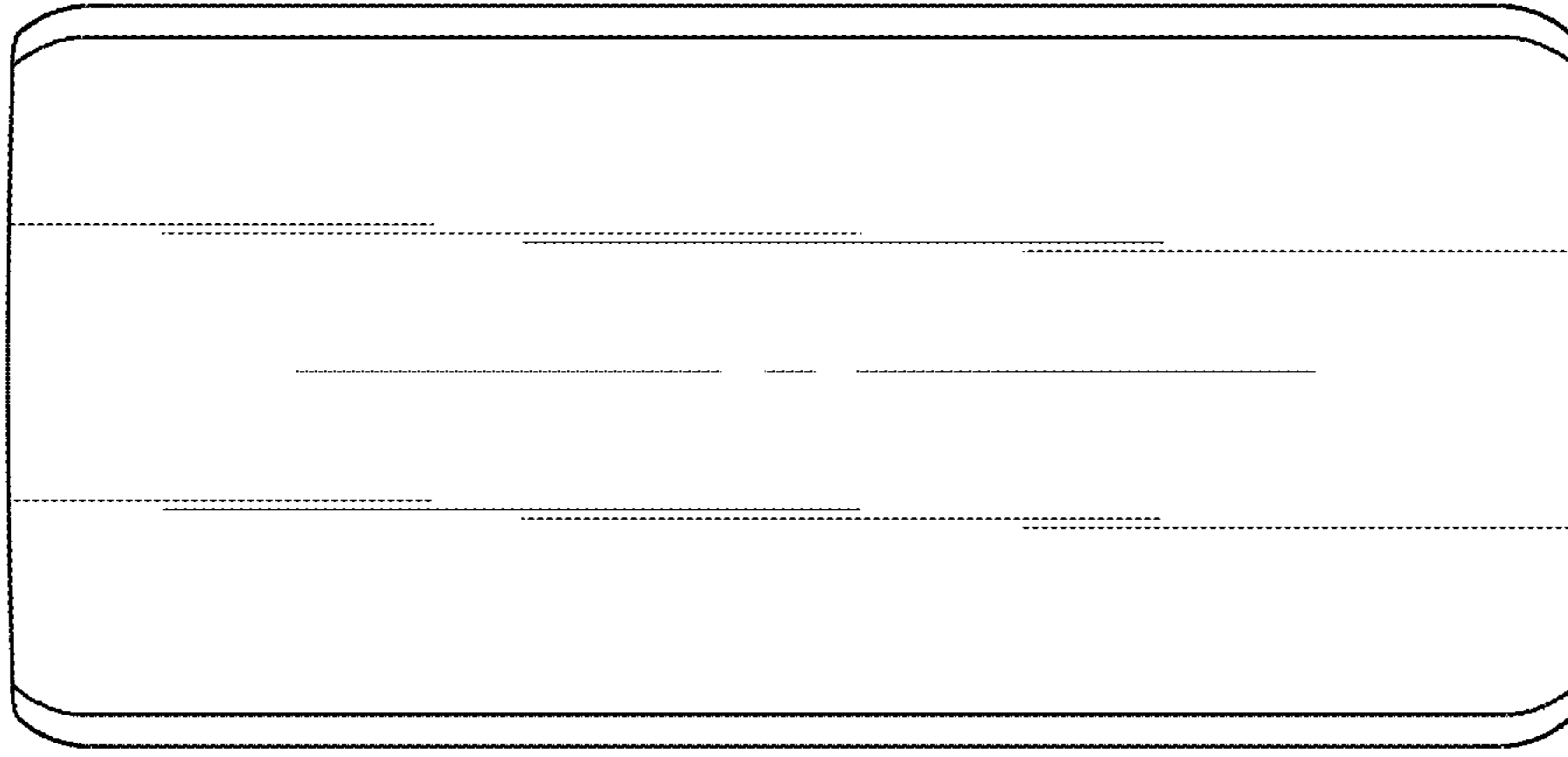


FIG. 3

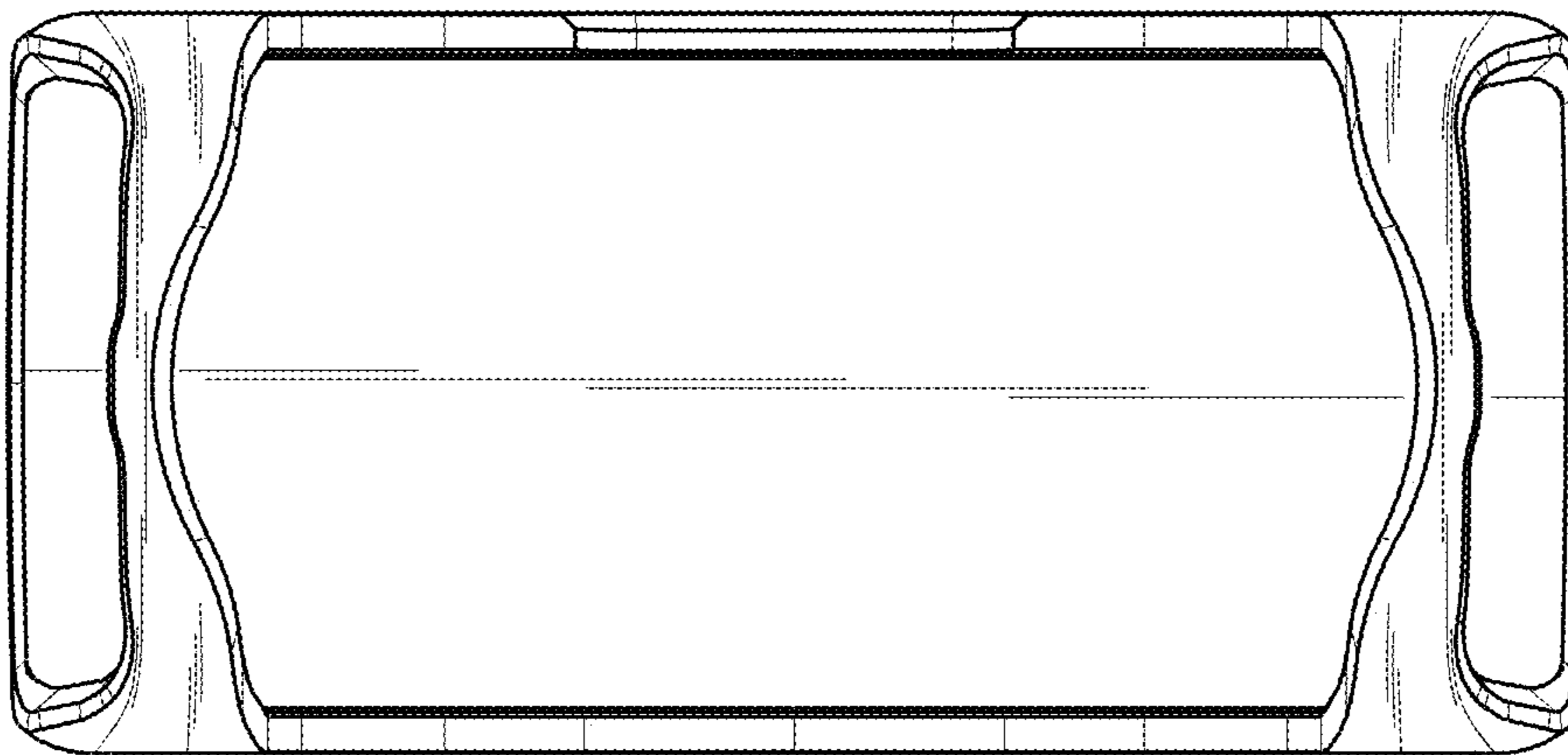


FIG. 4

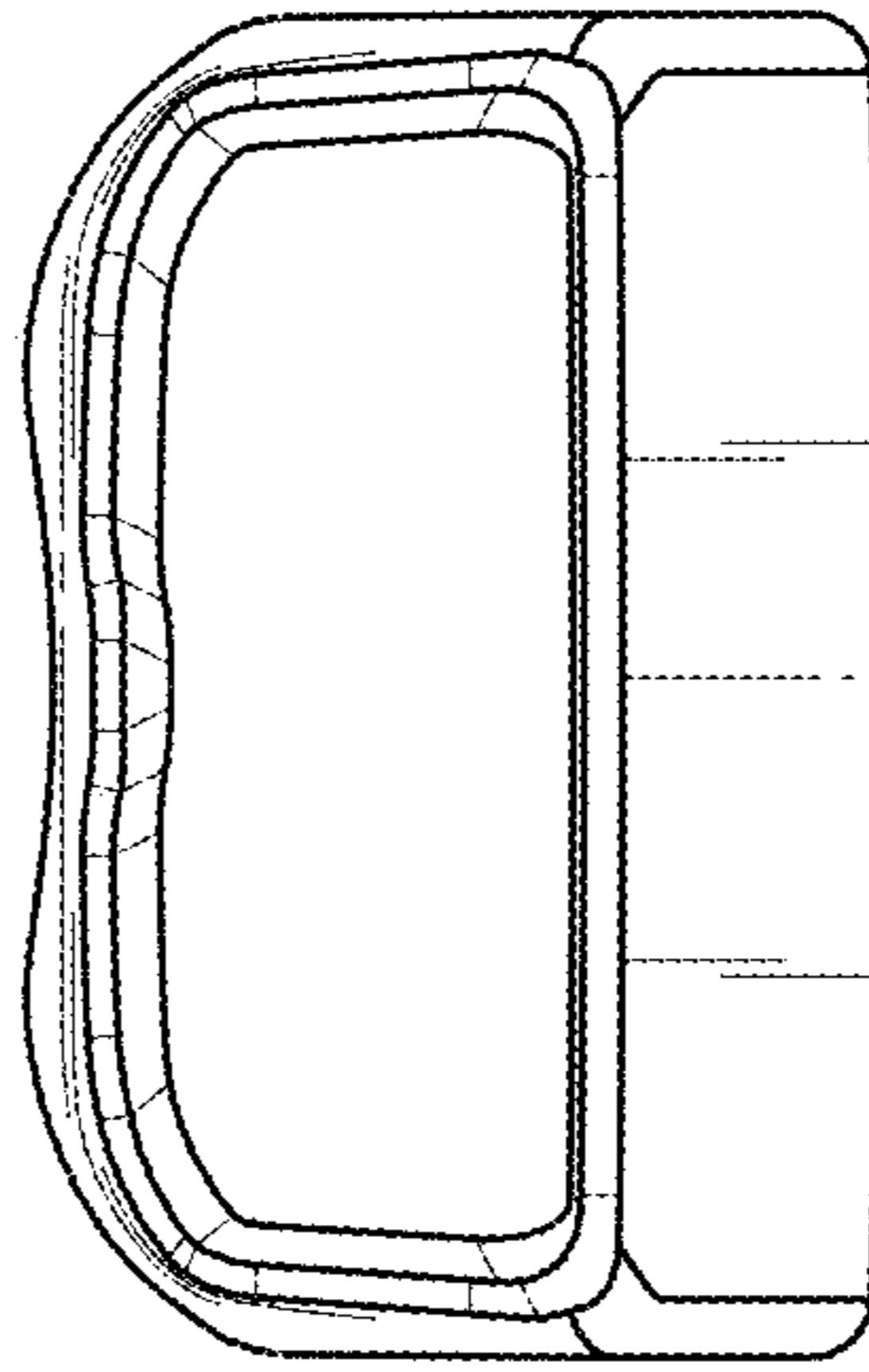


FIG. 5

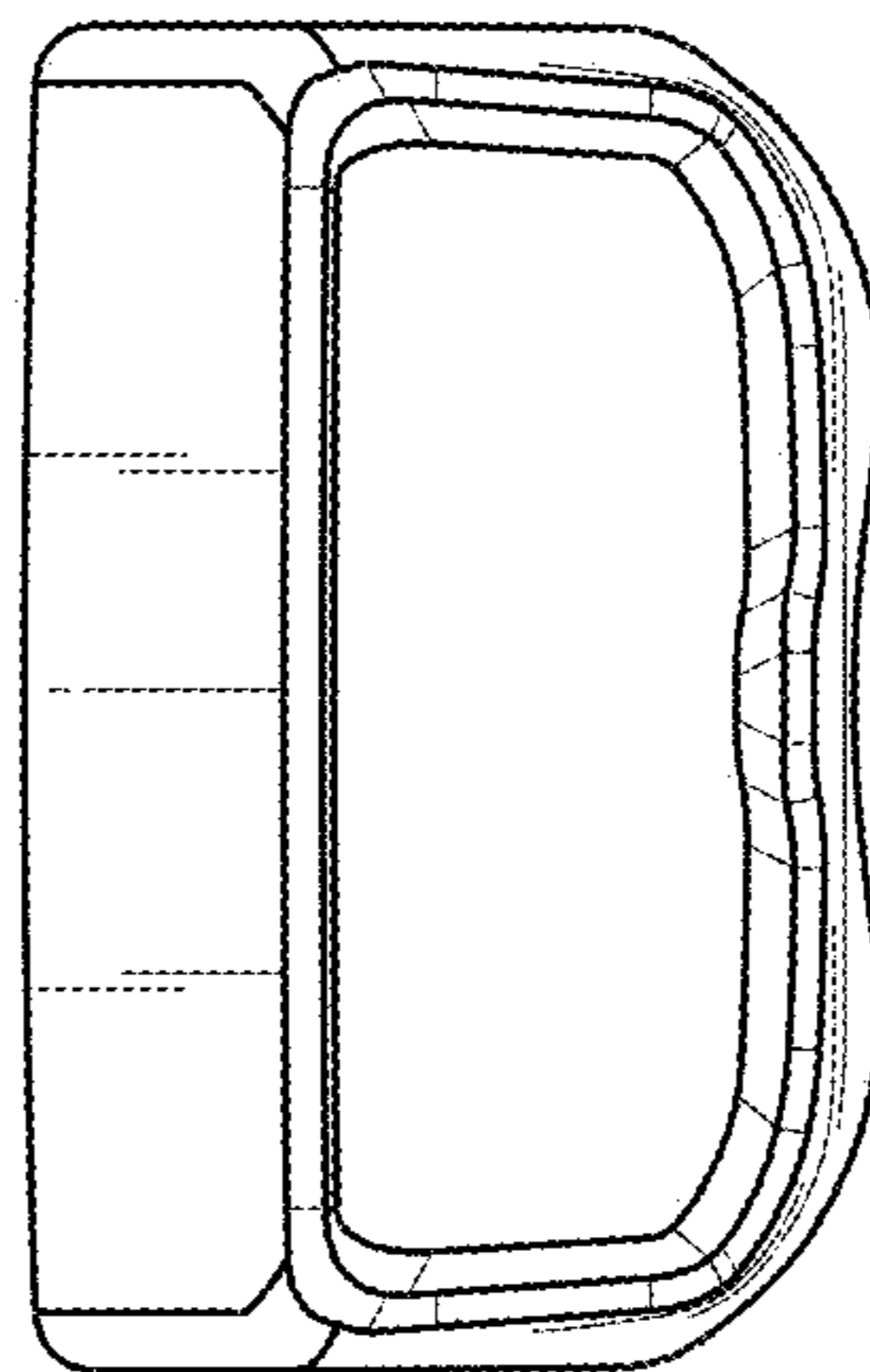


FIG. 6

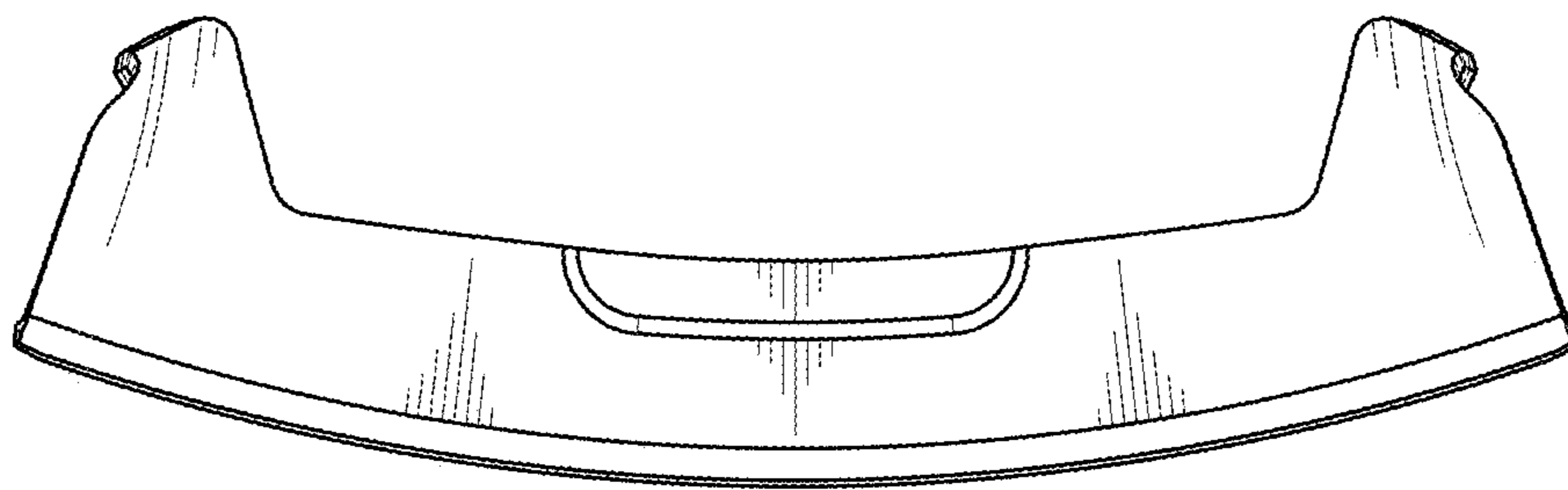


FIG. 7

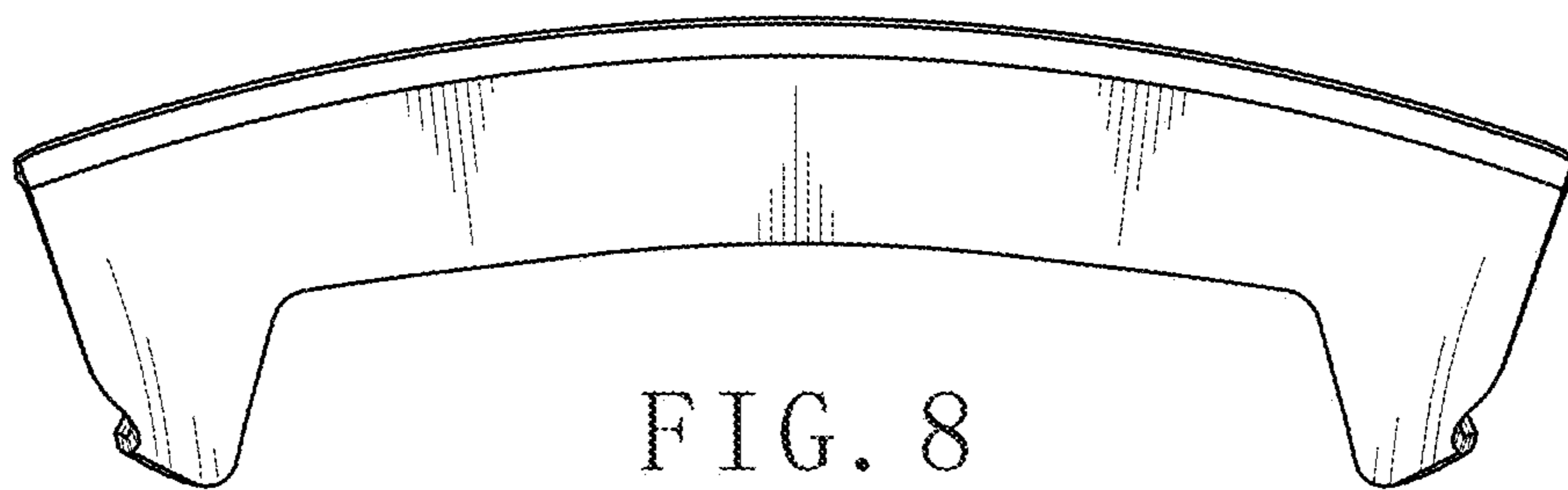


FIG. 8