



US00D902931S

(12) **United States Design Patent**
Li et al.

(10) **Patent No.:** **US D902,931 S**

(45) **Date of Patent:** **** Nov. 24, 2020**

(54) **DOCKING STATION FOR COMPUTER**

(71) Applicant: **SHENZHEN SDION ELECTRONICS & TECHNOLOGY CO., LTD,**
Shenzhen (CN)

(72) Inventors: **Jiayang Li, Shenzhen (CN); Jianxiang Feng, Shenzhen (CN)**

(73) Assignee: **SHENZHEN SDION ELECTRONICS & TECHNOLOGY CO., LTD,**
Shenzhen (CN)

(**) Term: **15 Years**

(21) Appl. No.: **29/695,240**

(22) Filed: **Jun. 17, 2019**

(30) **Foreign Application Priority Data**

Apr. 10, 2019 (CN) 2019 3 0161380

(51) **LOC (12) Cl.** **14-02**

(52) **U.S. Cl.**
USPC **D14/434**

(58) **Field of Classification Search**
USPC D14/356, 358, 432, 434, 447, 149, 168,
D14/217, 224, 224.1, 238.1, 251, 252,
D14/253, 125, 126, 239, 392, 455;
D13/107, 108, 146
CPC G06F 1/16; G06F 1/1626; G06F 1/1632;
G06F 1/1675; G06F 1/1688; F16M 11/10;
F16M 11/24; H05K 5/0234; H04M 1/04
See application file for complete search history.

(56) **References Cited**

U.S. PATENT DOCUMENTS

5,580,182 A * 12/1996 Lin G06F 1/1632
292/228
D400,515 S * 11/1998 Shima D14/433

D443,860 S * 6/2001 Ogasawara D13/146
D477,767 S * 7/2003 Burdett D8/330
D505,958 S * 6/2005 Cheng D14/434
D604,737 S * 11/2009 Symons D14/434
D665,393 S * 8/2012 Kwon D14/434
D678,889 S * 3/2013 Chiu D14/453
8,649,169 B2 * 2/2014 Kwon G06F 21/88
361/679.41
D717,799 S * 11/2014 Lee D14/420
D741,825 S * 10/2015 James D14/125
D835,055 S * 12/2018 Kim D14/125
D853,366 S * 7/2019 Williams D14/239
D869,468 S * 12/2019 Wang D14/434
2018/0252003 A1 * 9/2018 Klinkman G06F 1/1632
2018/0307275 A1 * 10/2018 Peil G06F 1/1632

* cited by examiner

Primary Examiner — Jeffrey D Asch

Assistant Examiner — Rebekah A Caruso

(74) *Attorney, Agent, or Firm* — Hemisphere Law, PLLC;
Zhigang Ma

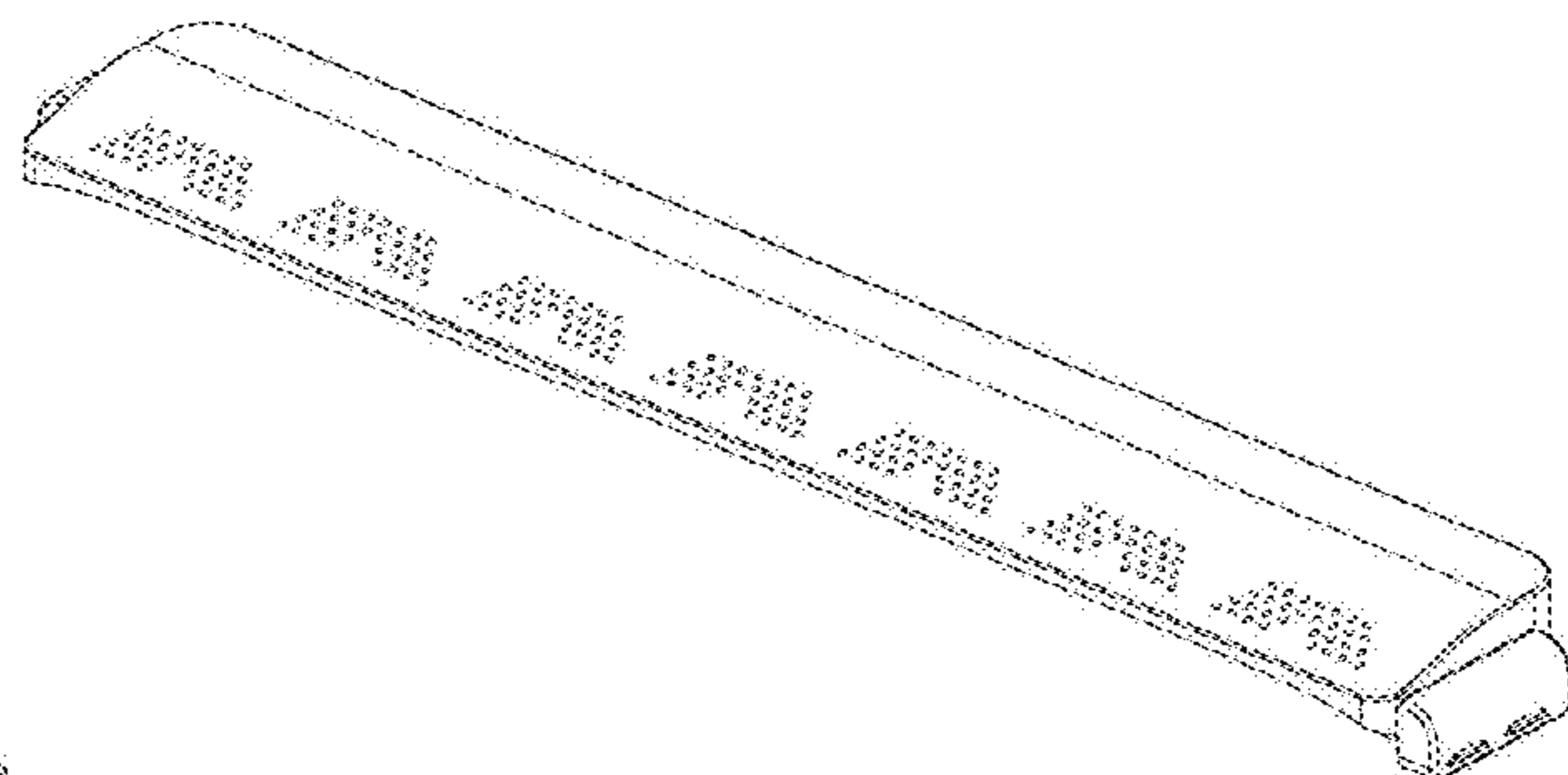
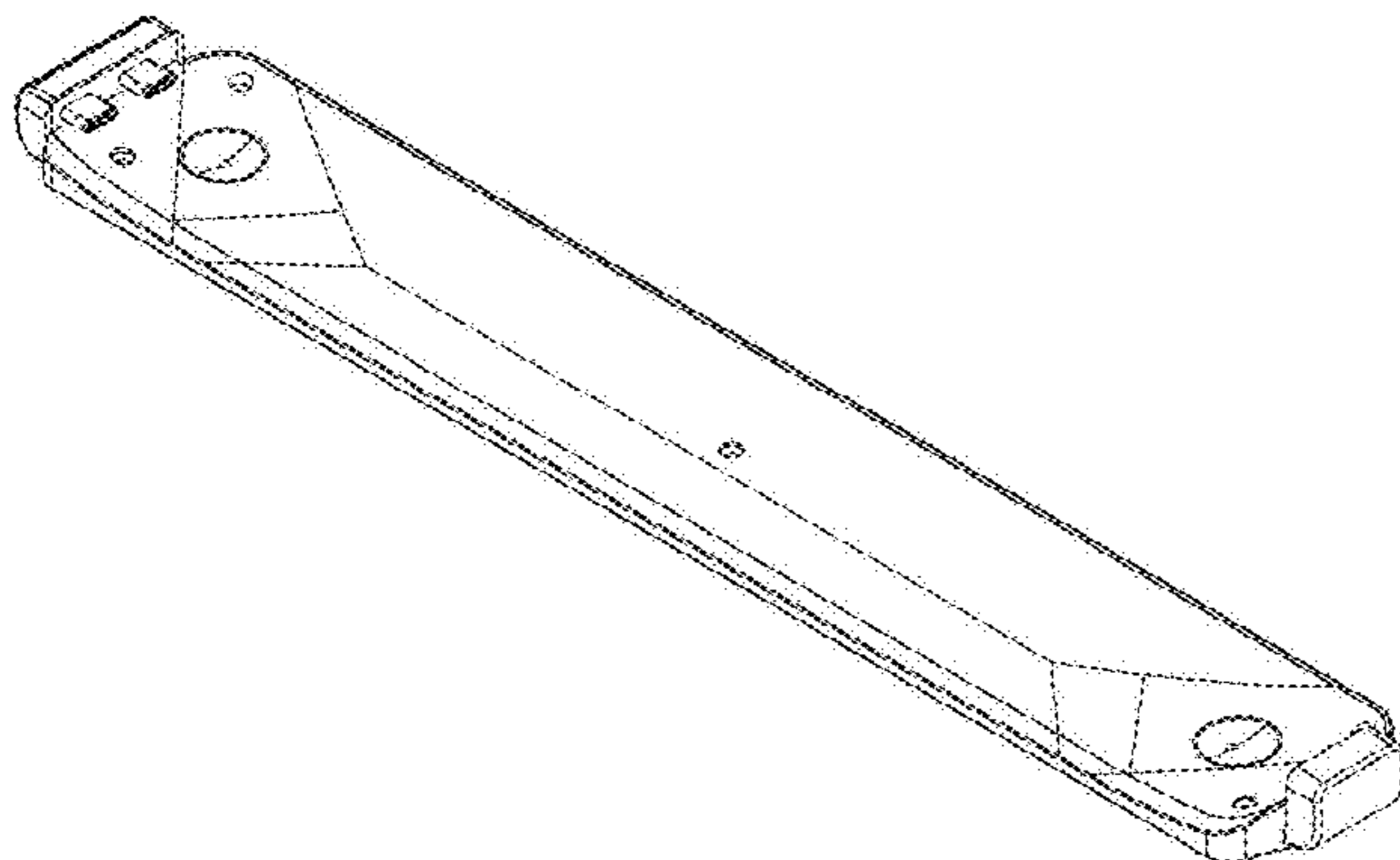
(57) **CLAIM**

The ornamental design for a docking station for computer, as shown.

DESCRIPTION

FIG. 1 is a perspective view of a docking station for computer, showing our new design;
FIG. 2 is another perspective view thereof;
FIG. 3 is another perspective view thereof.
FIG. 4 is a front view thereof;
FIG. 5 is a rear view thereof;
FIG. 6 is a left side view thereof;
FIG. 7 is a right side view thereof;
FIG. 8 is a top plan view thereof; and,
FIG. 9 is a bottom plan view thereof.

1 Claim, 3 Drawing Sheets



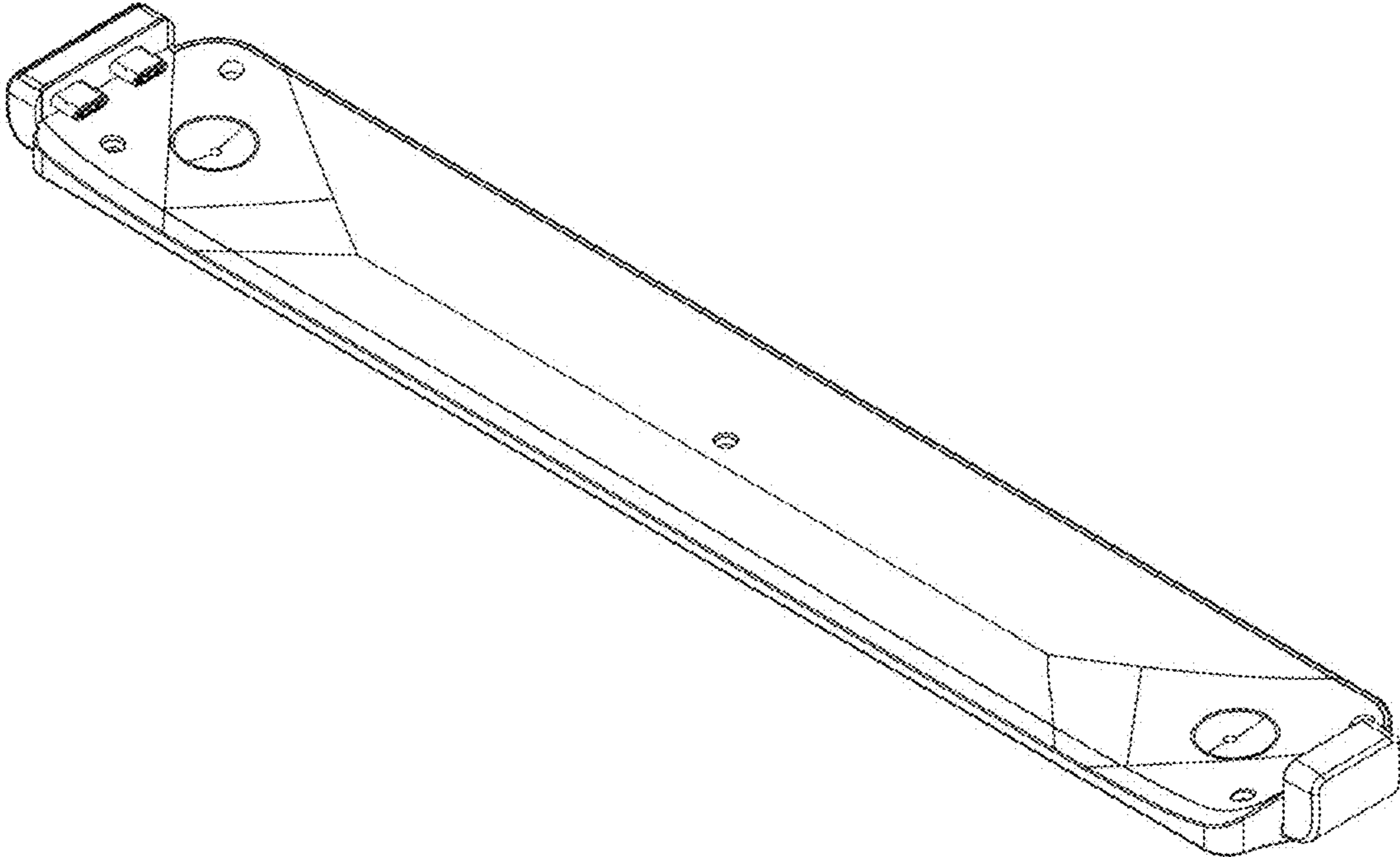


FIG. 1

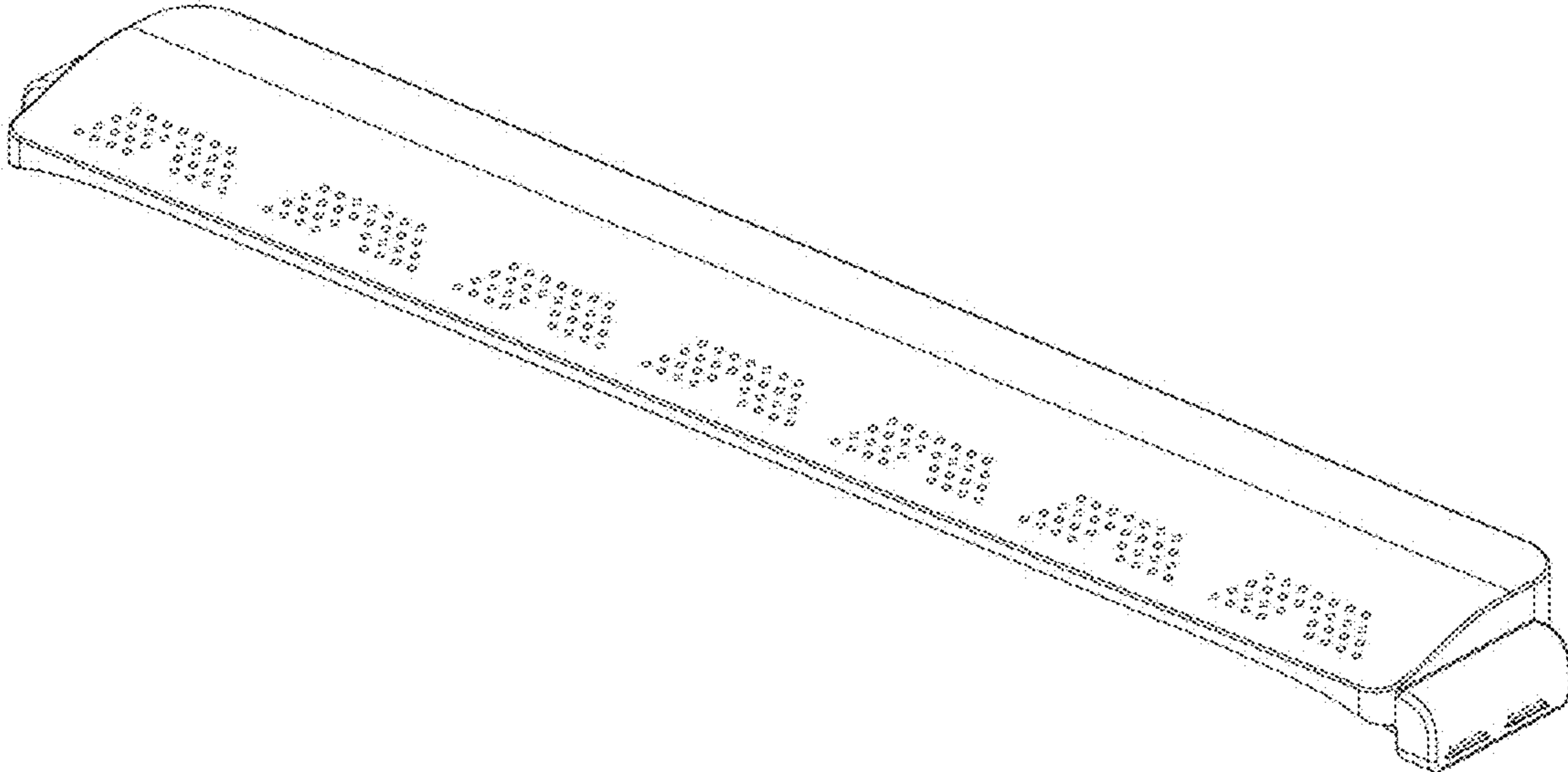


FIG. 2

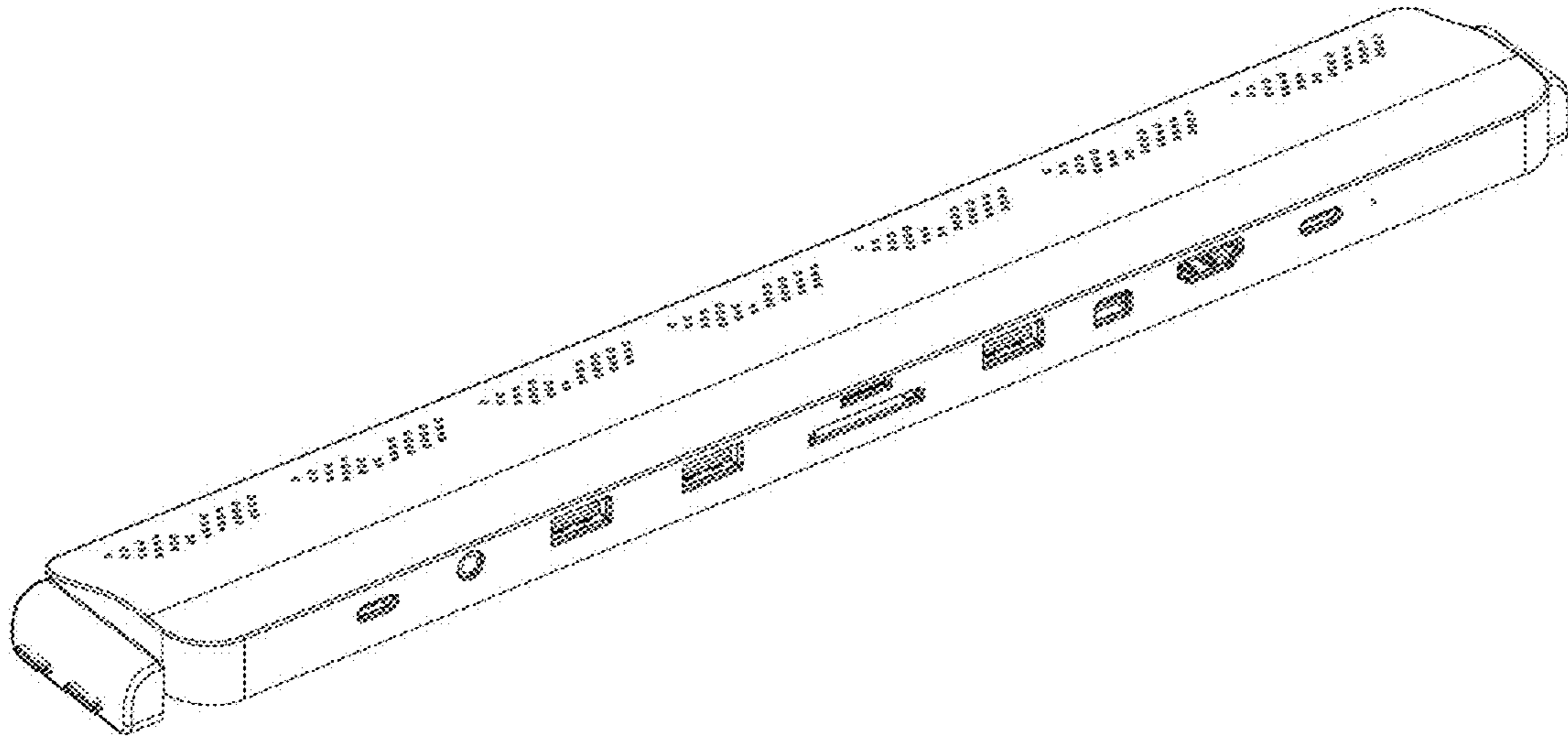


FIG. 3

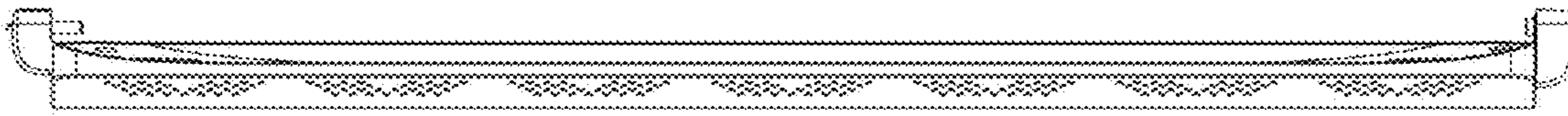


FIG. 4



FIG. 5

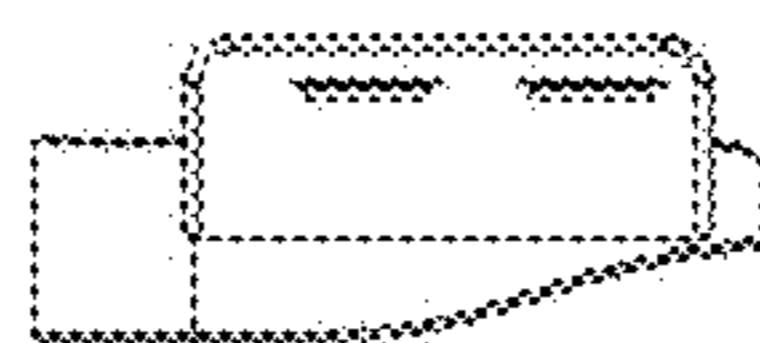


FIG. 6

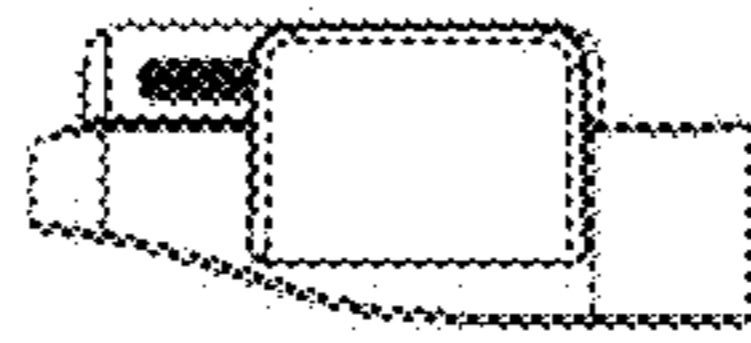


FIG. 7

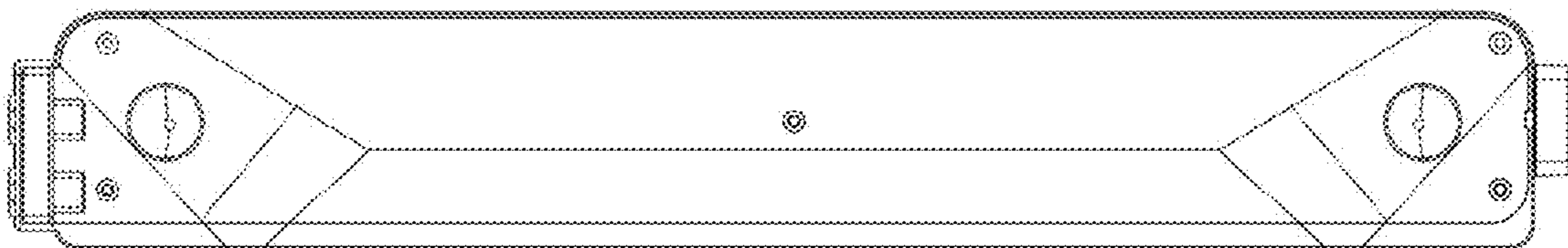


FIG. 8

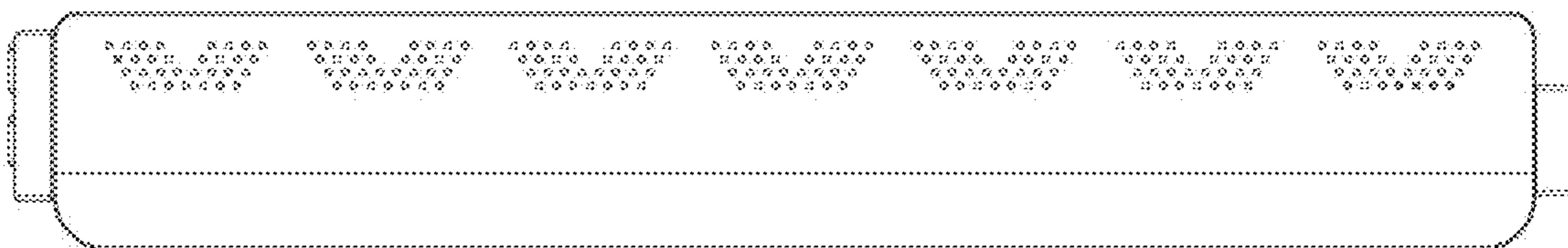


FIG. 9