



US00D902930S

(12) **United States Design Patent** (10) **Patent No.:** **US D902,930 S**
Furujiku et al. (45) **Date of Patent:** **** Nov. 24, 2020**

(54) **DETACHABLE UNIT FOR PORTABLE COMPUTER**

(71) Applicant: **Panasonic Intellectual Property Management Co., Ltd.**, Osaka (JP)

(72) Inventors: **Masaru Furujiku**, Osaka (JP); **Ryusuke Teramoto**, Osaka (JP); **Munehiro Torii**, Osaka (JP); **Tatsuo Kuromoto**, Osaka (JP)

(73) Assignee: **Panasonic Intellectual Property Management Co., Ltd.**, Osaka (JP)

(**) Term: **15 Years**

(21) Appl. No.: **29/683,111**

(22) Filed: **Mar. 11, 2019**

(30) **Foreign Application Priority Data**

Dec. 20, 2018 (JP) 2018-027850
Dec. 20, 2018 (JP) 2018-027851

(Continued)

(51) **LOC (12) Cl.** **14-02**

(52) **U.S. Cl.**
USPC **D14/432**; D14/439

(58) **Field of Classification Search**
USPC D14/300–302, 308–313, 314, 348,
D14/353–355, 432, 439–446, 240;

(Continued)

(56) **References Cited**

U.S. PATENT DOCUMENTS

D462,967 S * 9/2002 Suzuki D14/315
D545,321 S * 6/2007 Frank D14/439

(Continued)

Primary Examiner — Austin Murphy

(74) *Attorney, Agent, or Firm* — Panasonic IP Management; Kerry S. Culpepper

(57) **CLAIM**

We claim the ornamental design for a detachable unit for portable computer, as shown and described.

DESCRIPTION

FIG. 1 is a front perspective view of a first embodiment of a detachable unit for portable computer of the present invention;

FIG. 2 is a front view thereof;

FIG. 3 is a rear view thereof;

FIG. 4 is a first side view thereof;

FIG. 5 is a second side view thereof;

FIG. 6 is a top view thereof;

FIG. 7 is a bottom view thereof; and,

FIG. 8 is a front perspective view thereof shown in an environmental use thereof.

FIG. 9 is a front perspective view of a second embodiment of a detachable unit for portable computer of the present invention;

FIG. 10 is a front view thereof;

FIG. 11 is a rear view thereof;

FIG. 12 is a first side view thereof;

FIG. 13 is a second side view thereof;

FIG. 14 is a top side view thereof;

FIG. 15 is a bottom view thereof; and,

FIG. 16 is a front perspective view thereof shown in an environmental use thereof.

FIG. 17 is a front perspective view of a third embodiment of a detachable unit for portable computer of the present invention;

FIG. 18 is a front view thereof;

FIG. 19 is a rear view thereof;

FIG. 20 is a first side view thereof;

FIG. 21 is a second side view thereof;

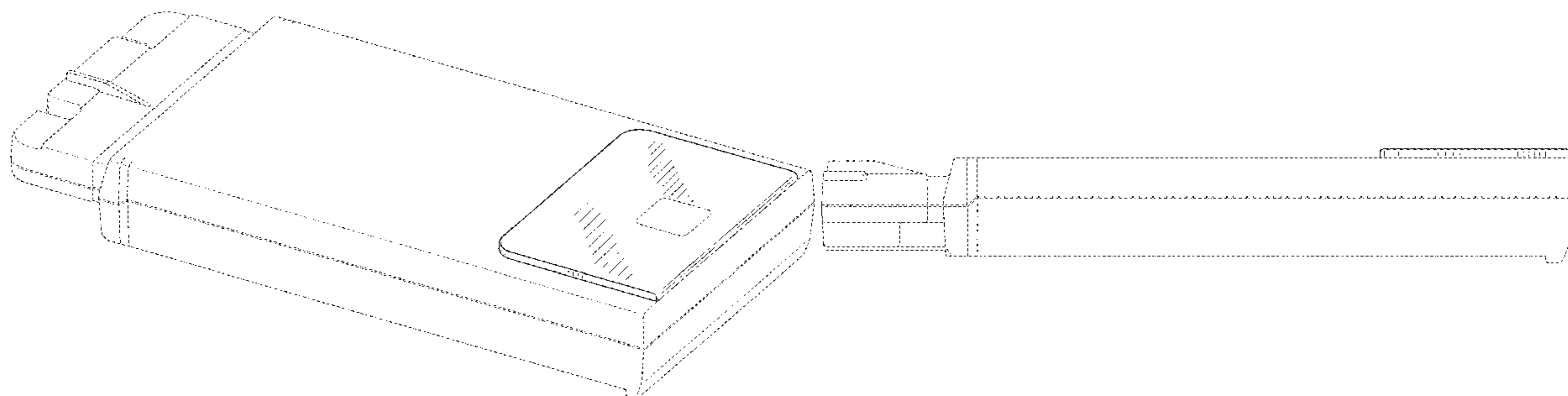
FIG. 22 is a top side view thereof;

FIG. 23 is a bottom view thereof; and,

FIG. 24 is a front perspective view thereof shown in an environmental use thereof.

The broken lines shown represent unclaimed subject matter and form no part of the claimed design. Additionally, the unevenly broken lines in the drawings define the limits of the claimed design.

1 Claim, 24 Drawing Sheets



(30) **Foreign Application Priority Data**

Dec. 20, 2018 (JP) 2018-027852
Dec. 20, 2018 (JP) 2018-027853
Dec. 20, 2018 (JP) 2018-027854

(58) **Field of Classification Search**

USPC 361/679.02, 679.31, 679.5, 690, 694,
361/679.23, 801, 802; 312/332.1, 334.1;
D13/162; D10/50
CPC B65H 1/00; B65H 1/266; B65H 2402/441;
B65H 2405/311; B65H 2405/313
See application file for complete search history.

(56) **References Cited**

U.S. PATENT DOCUMENTS

D556,204 S * 11/2007 Tosh D14/439
D584,224 S 1/2009 Mori et al.
D710,361 S * 8/2014 Park D14/420
D717,304 S * 11/2014 Yturralde D14/250
D821,401 S * 6/2018 Siebels D14/420
D870,731 S * 12/2019 Kuo D14/420
D870,732 S * 12/2019 Chen D14/420
2007/0087586 A1* 4/2007 Karamooz H01R 43/205
439/65
2019/0102519 A1* 4/2019 Durand G06K 7/1413

* cited by examiner

FIG. 1

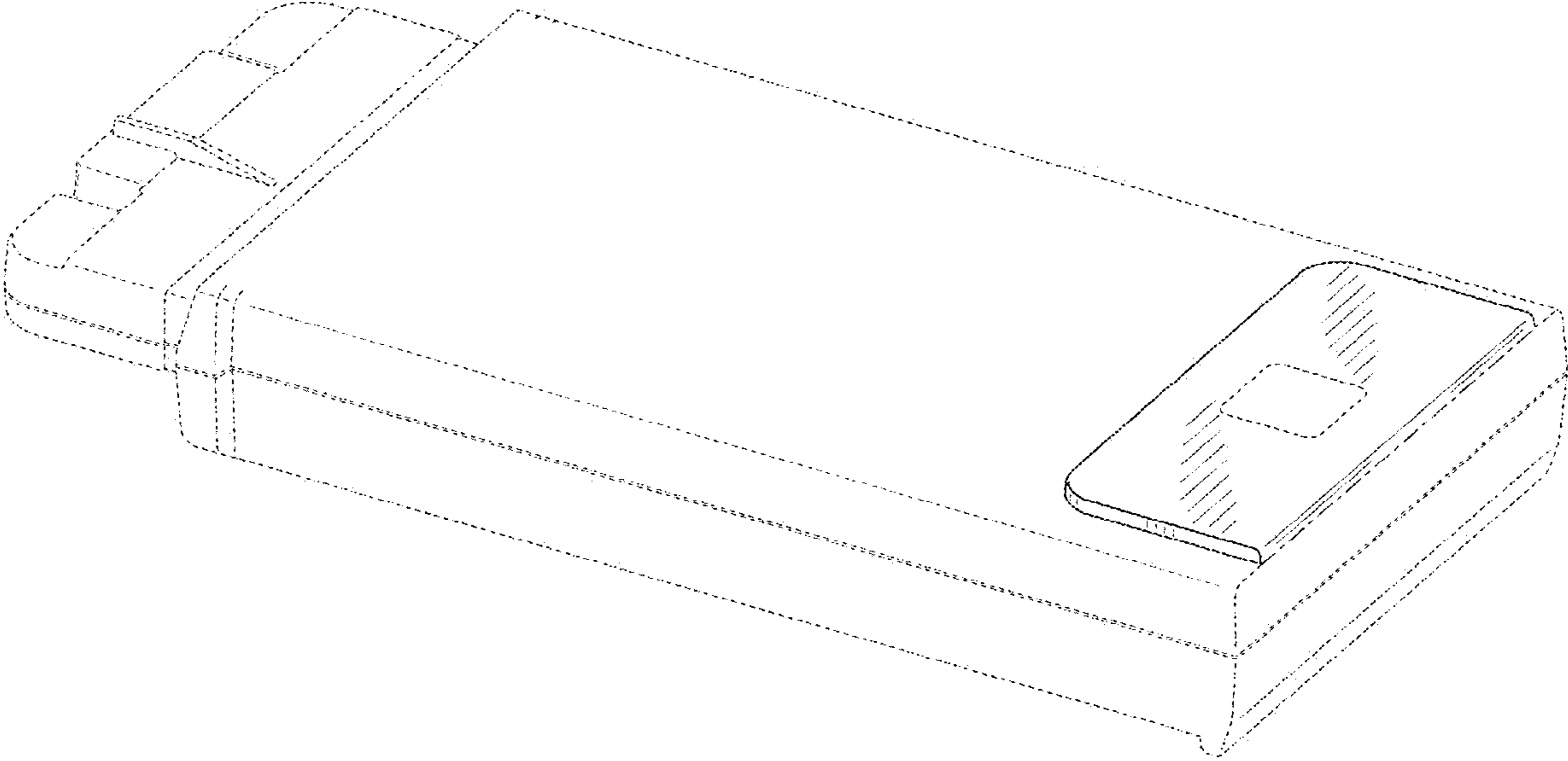


FIG. 2

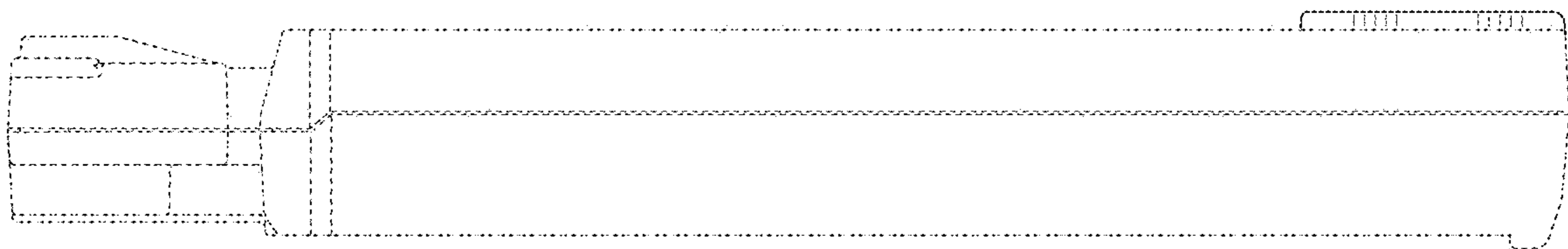


FIG. 3

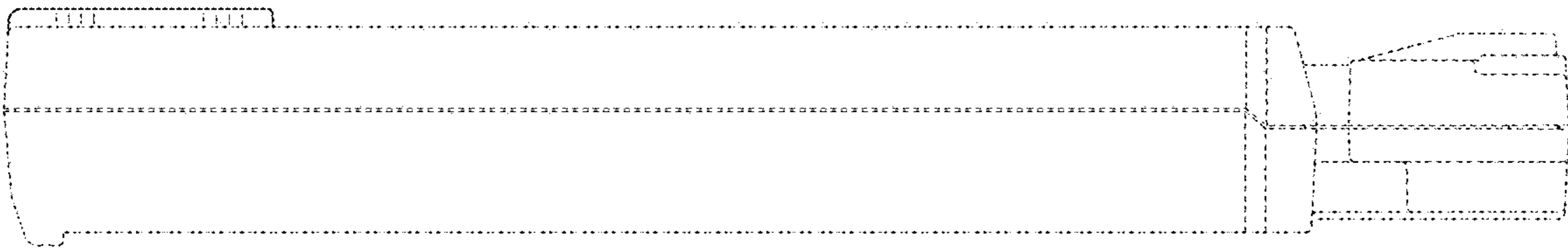


FIG. 4

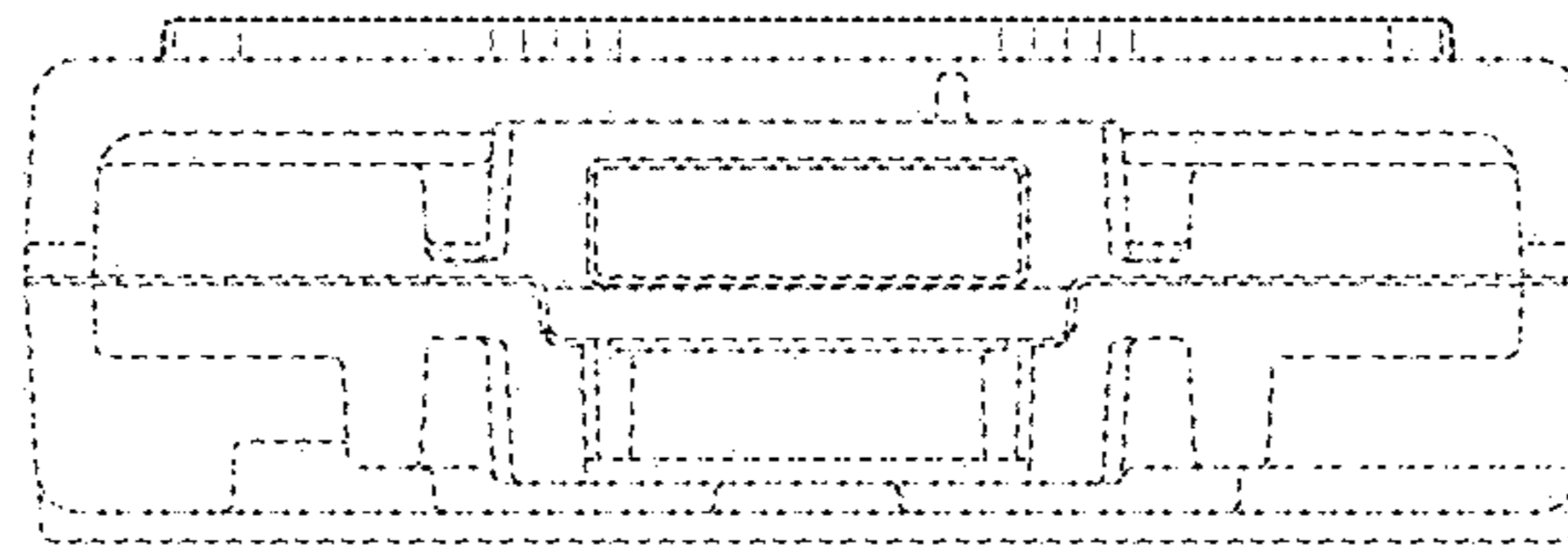


FIG. 5

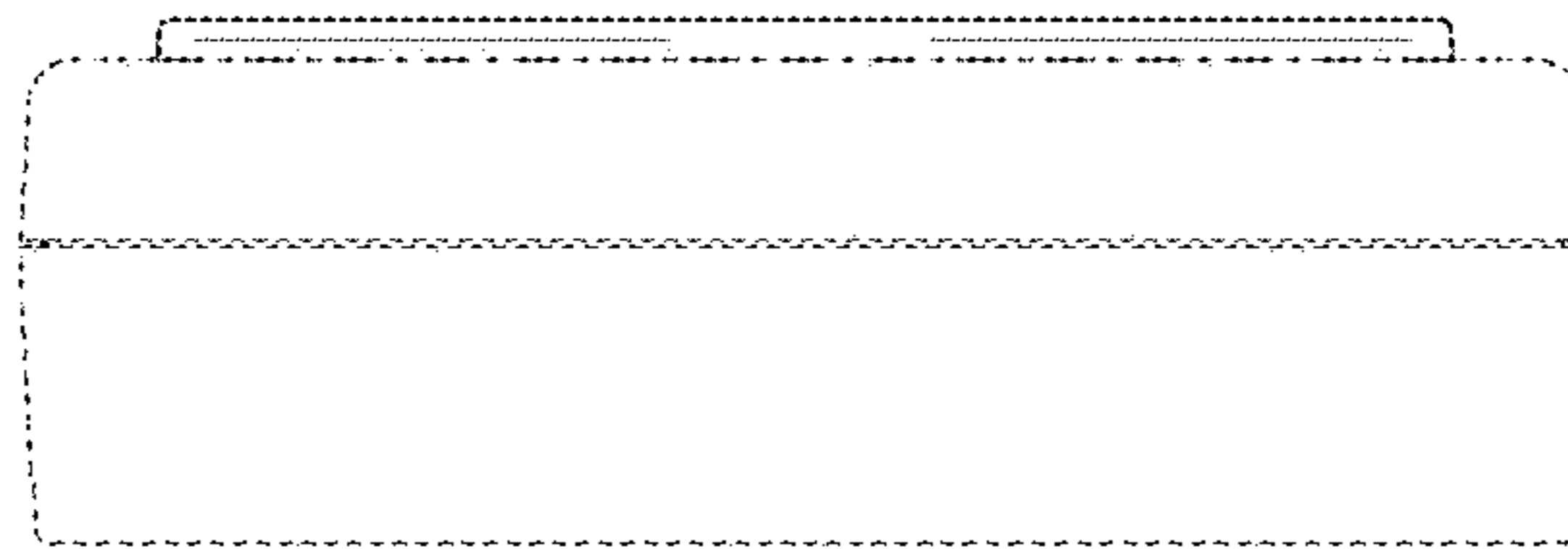


FIG. 6



FIG. 7

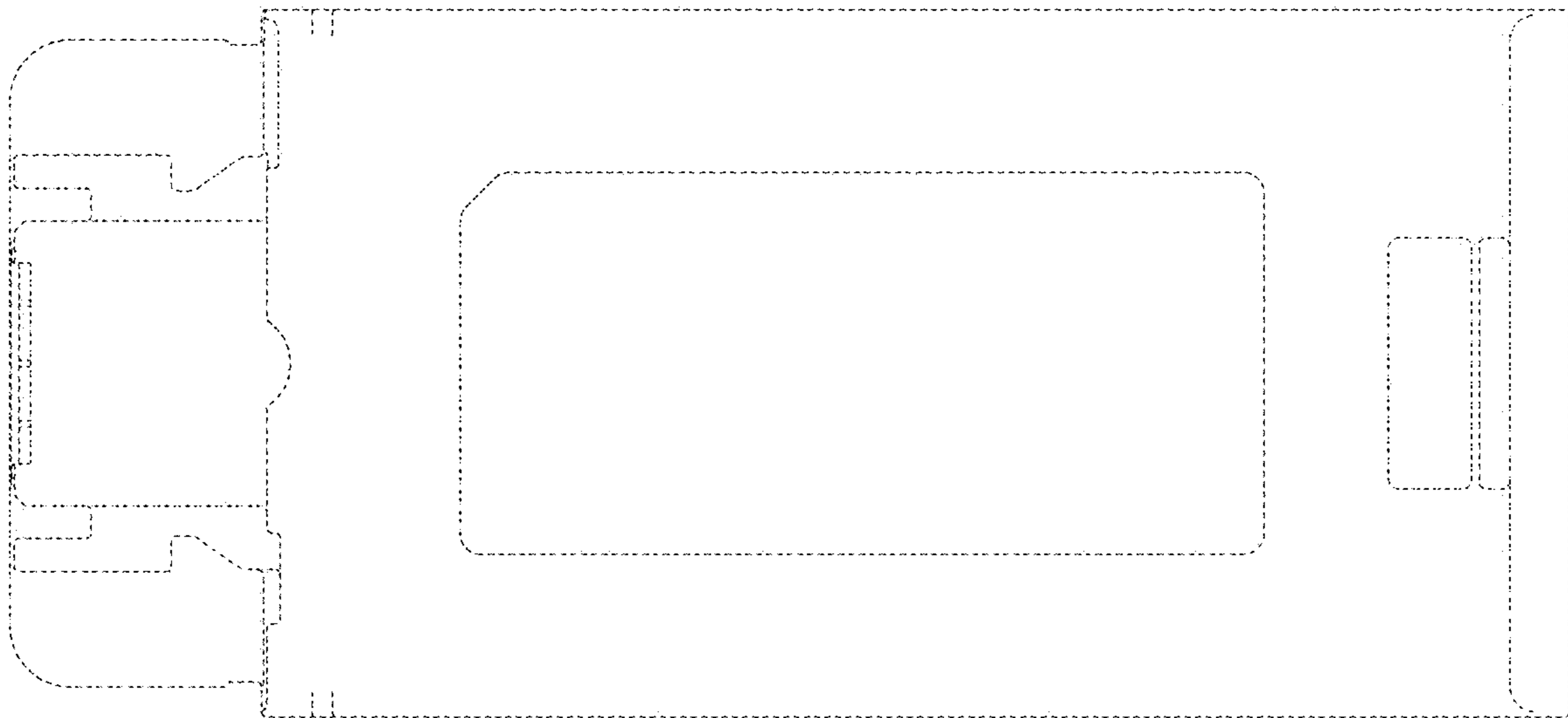


FIG. 8

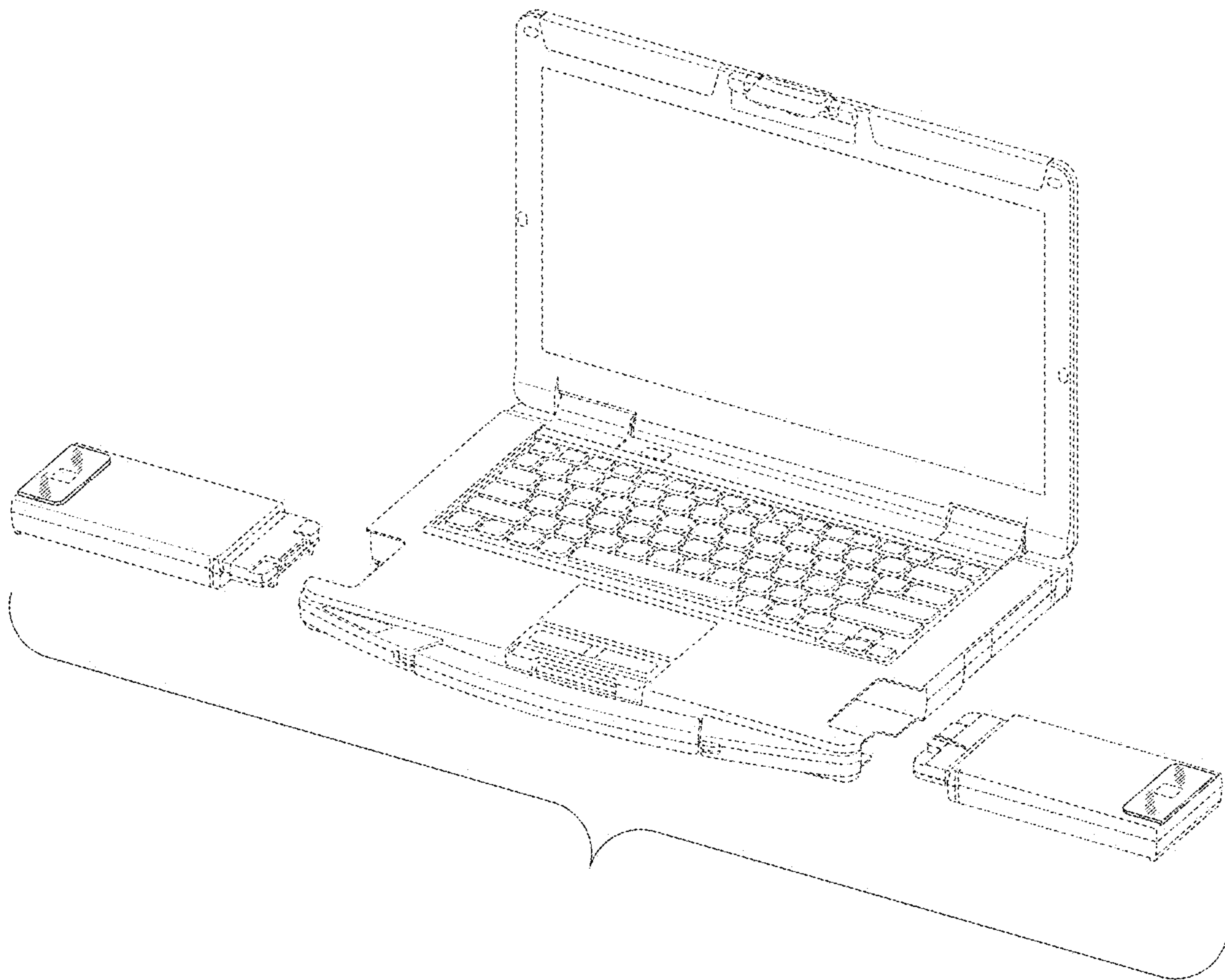


FIG. 9

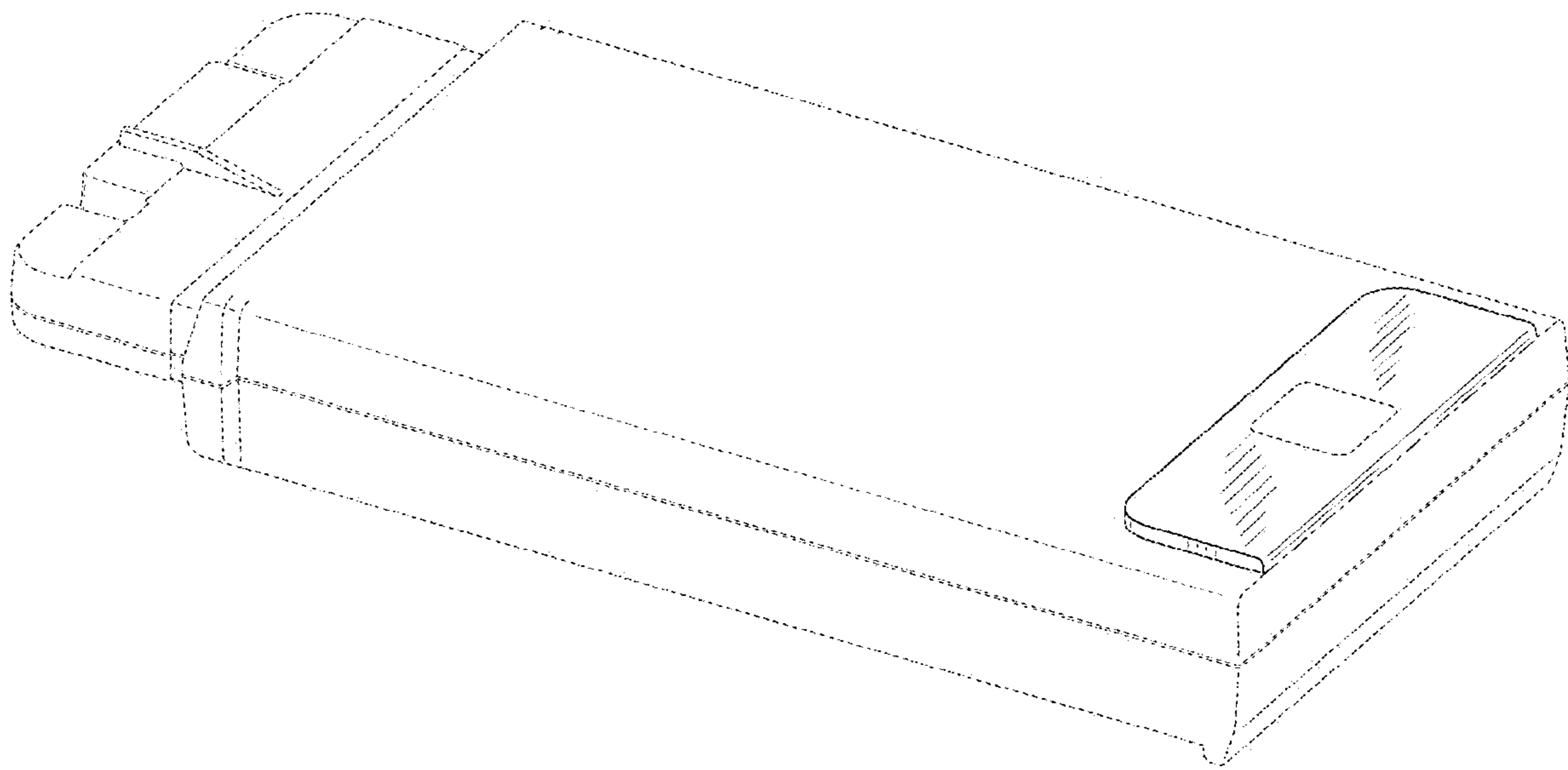


FIG. 10

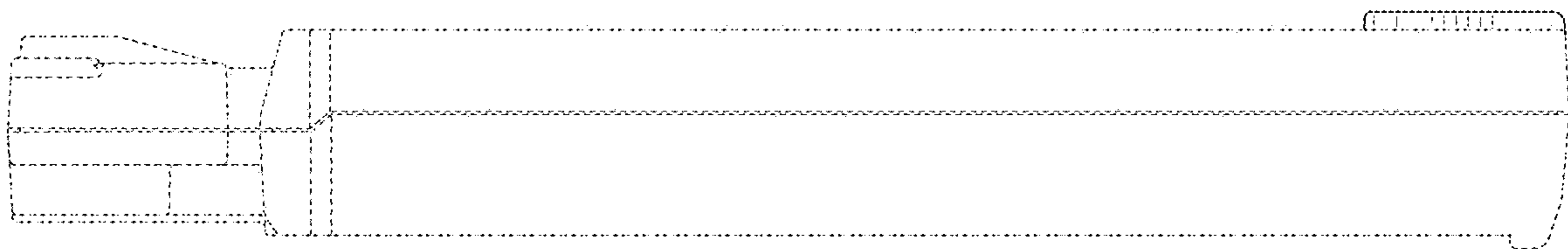


FIG. 11

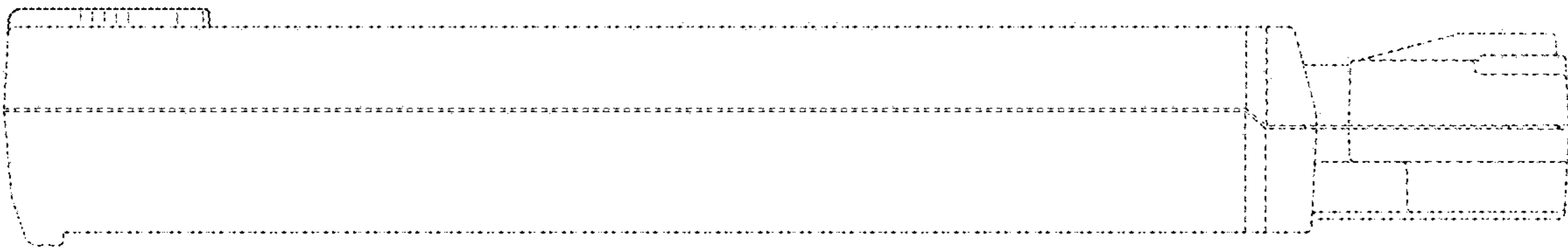


FIG. 12

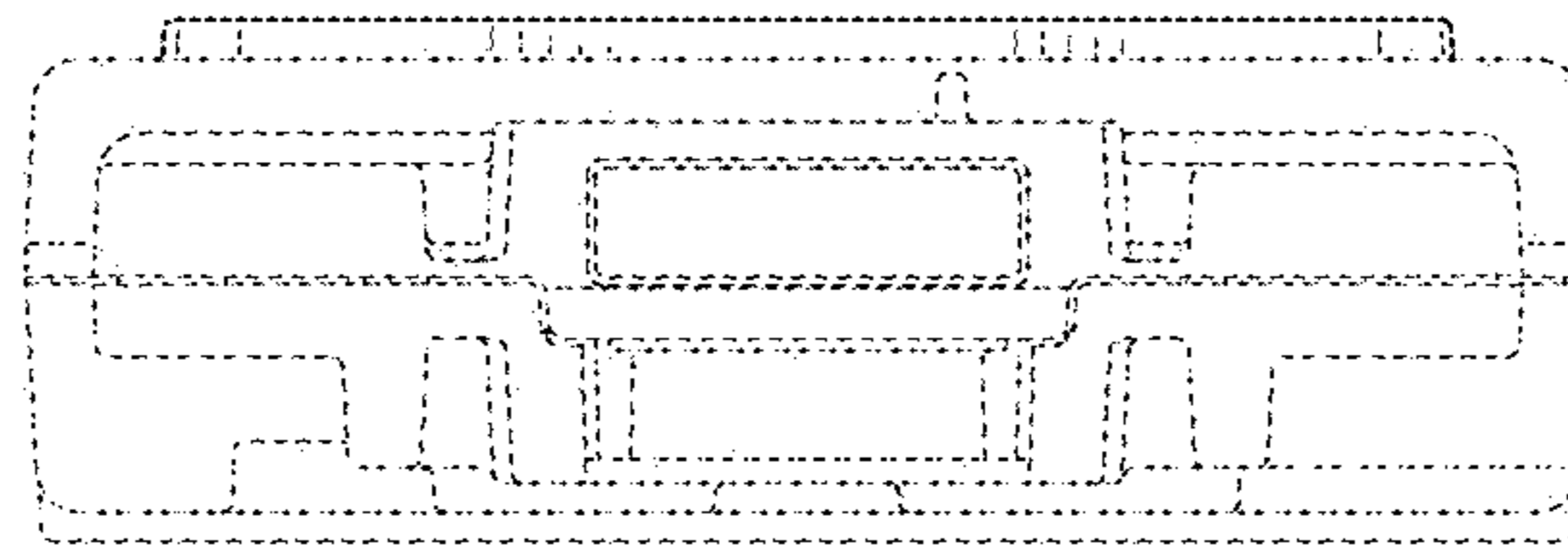


FIG. 13

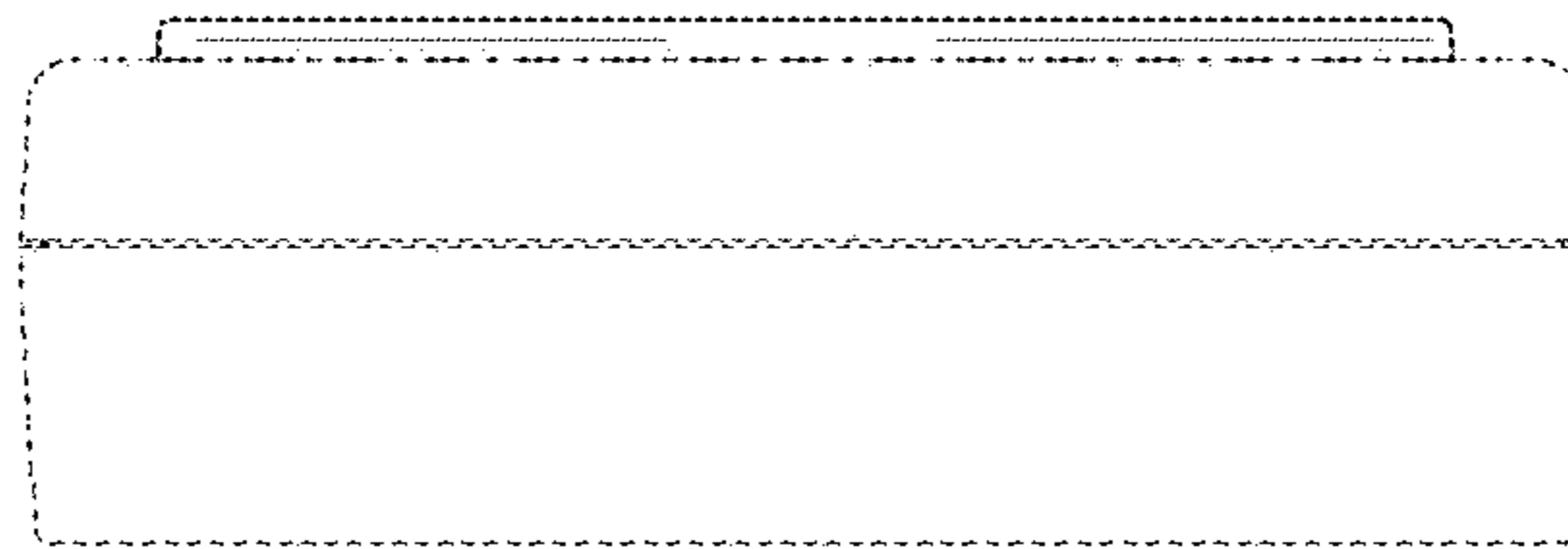


FIG. 14



FIG. 15

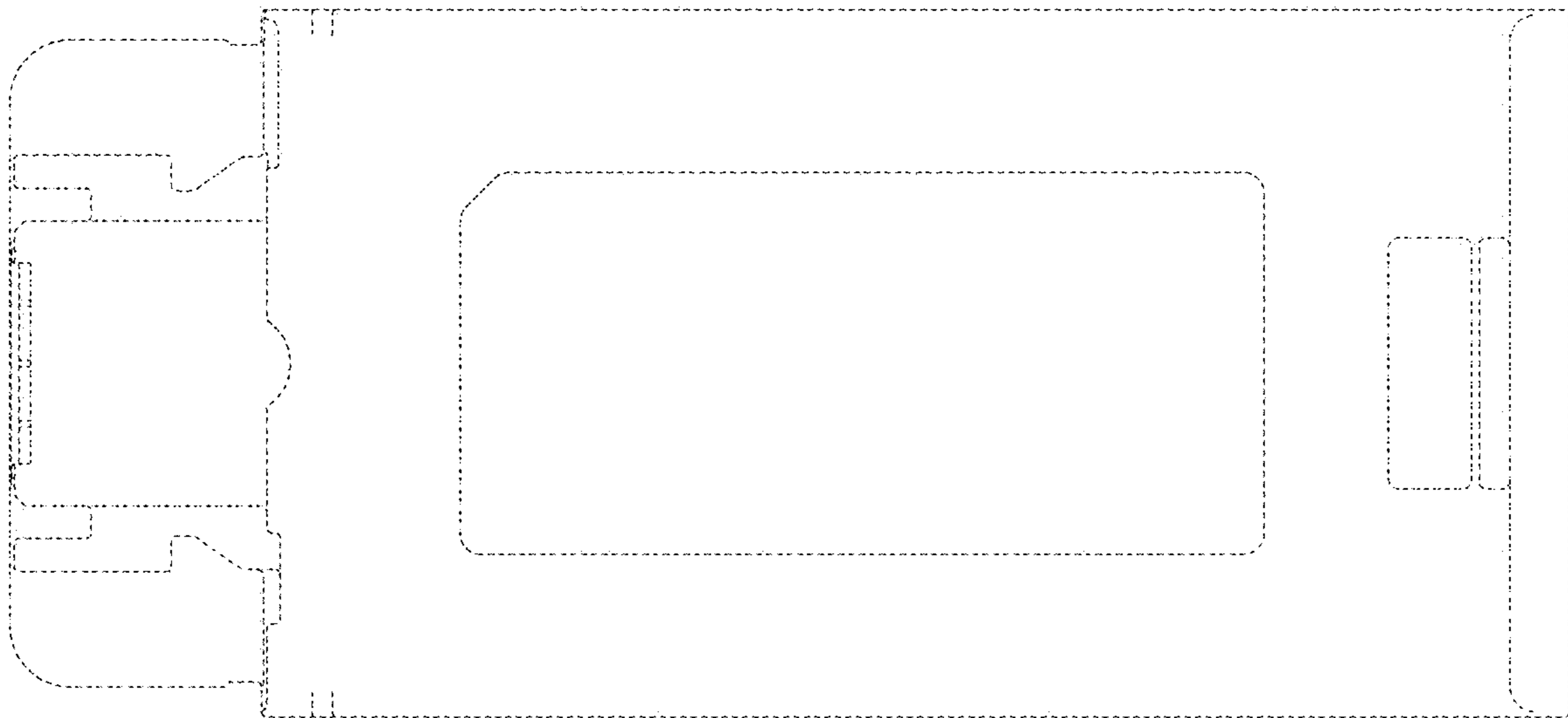


FIG. 16

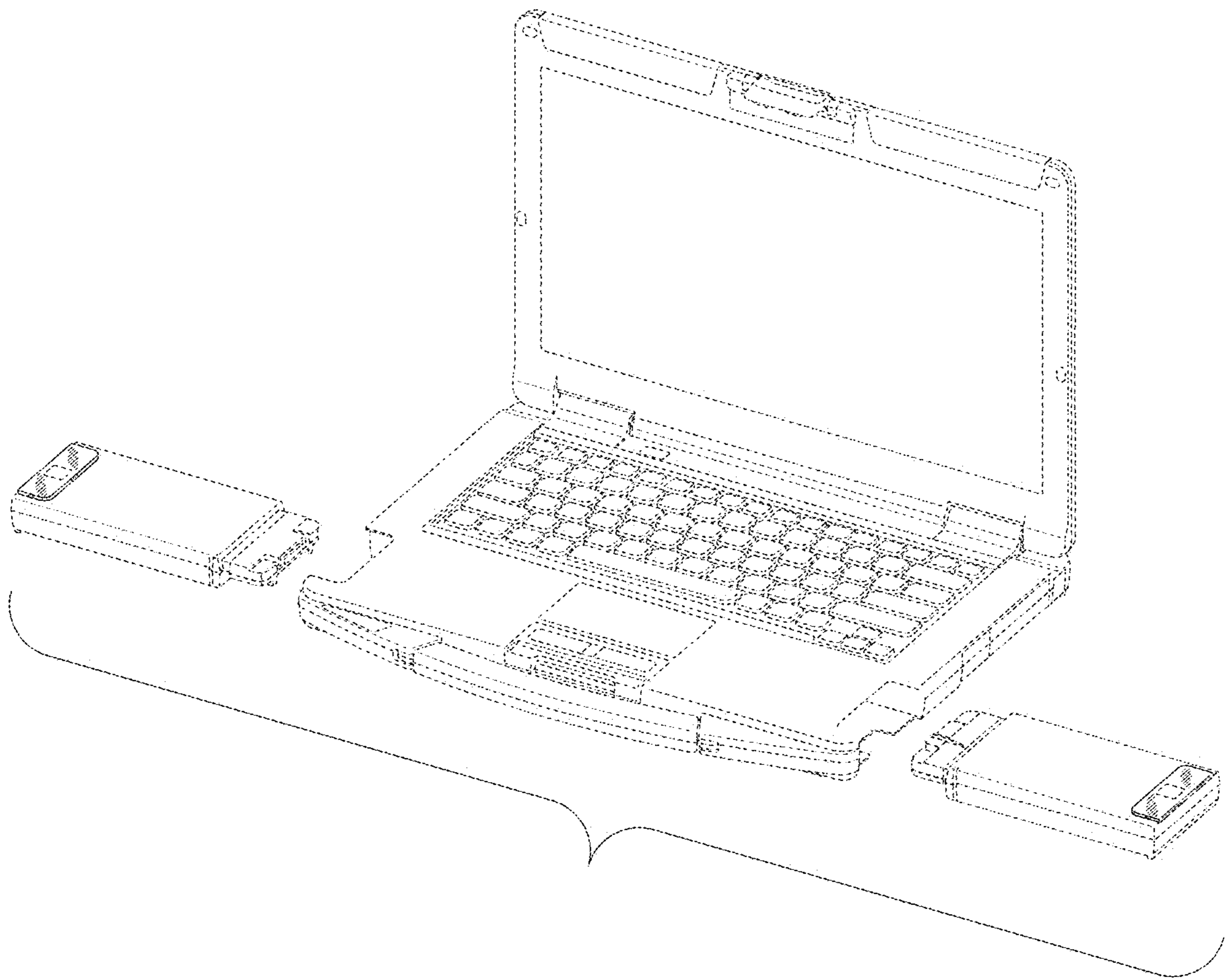


FIG. 17

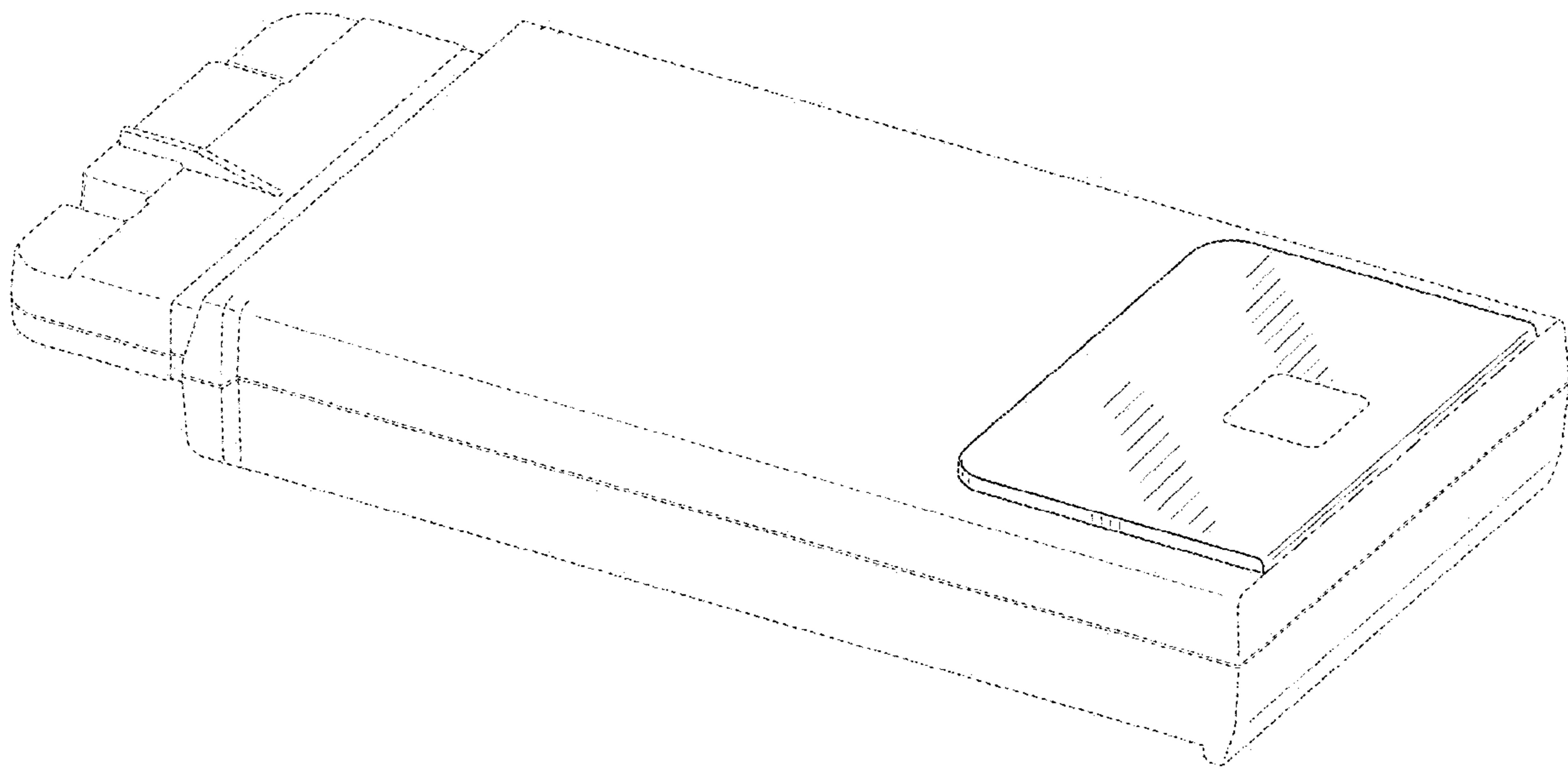


FIG. 18

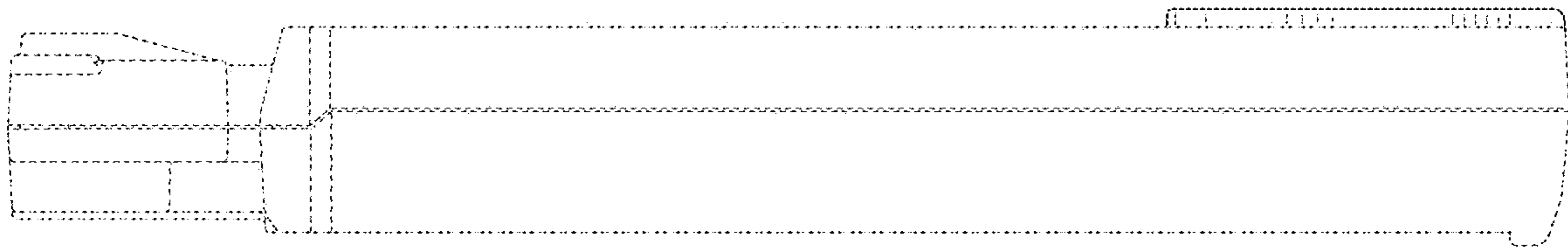


FIG. 19

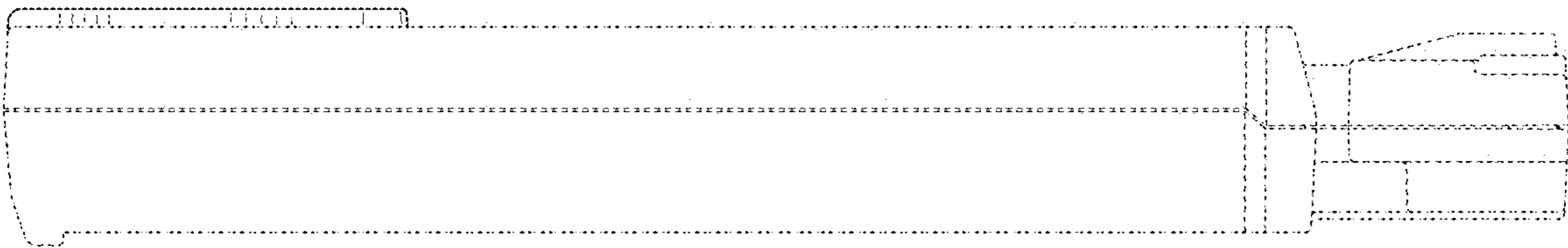


FIG. 20

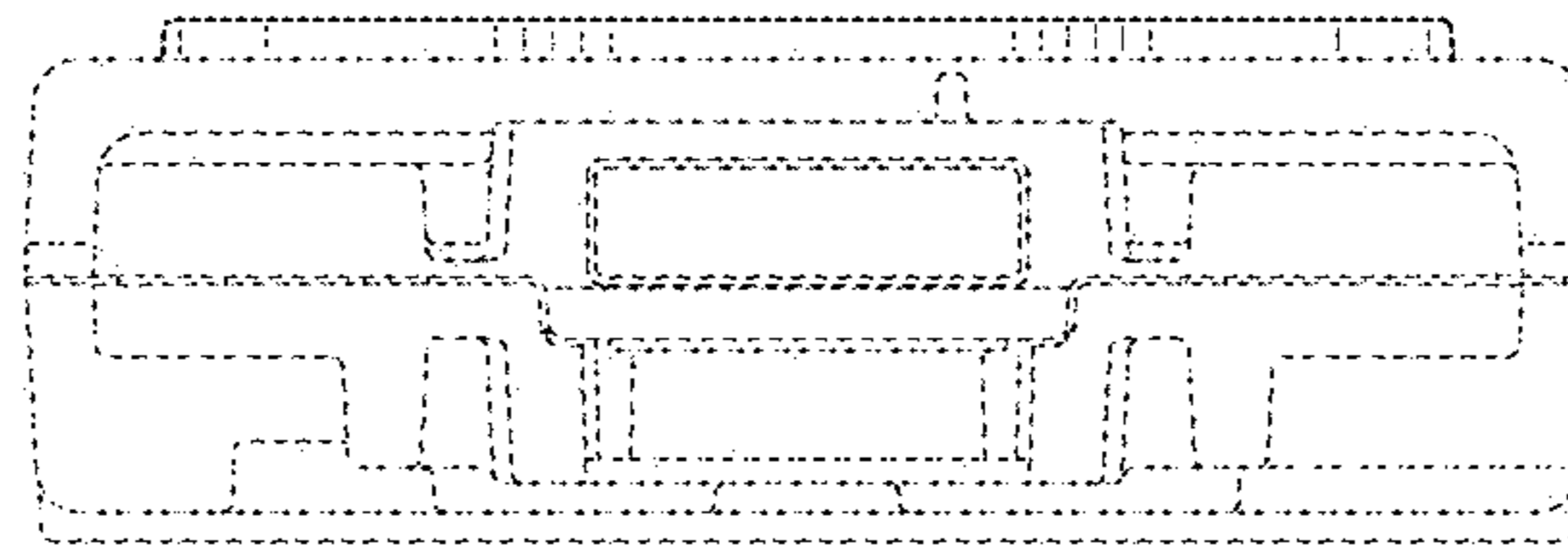


FIG. 21

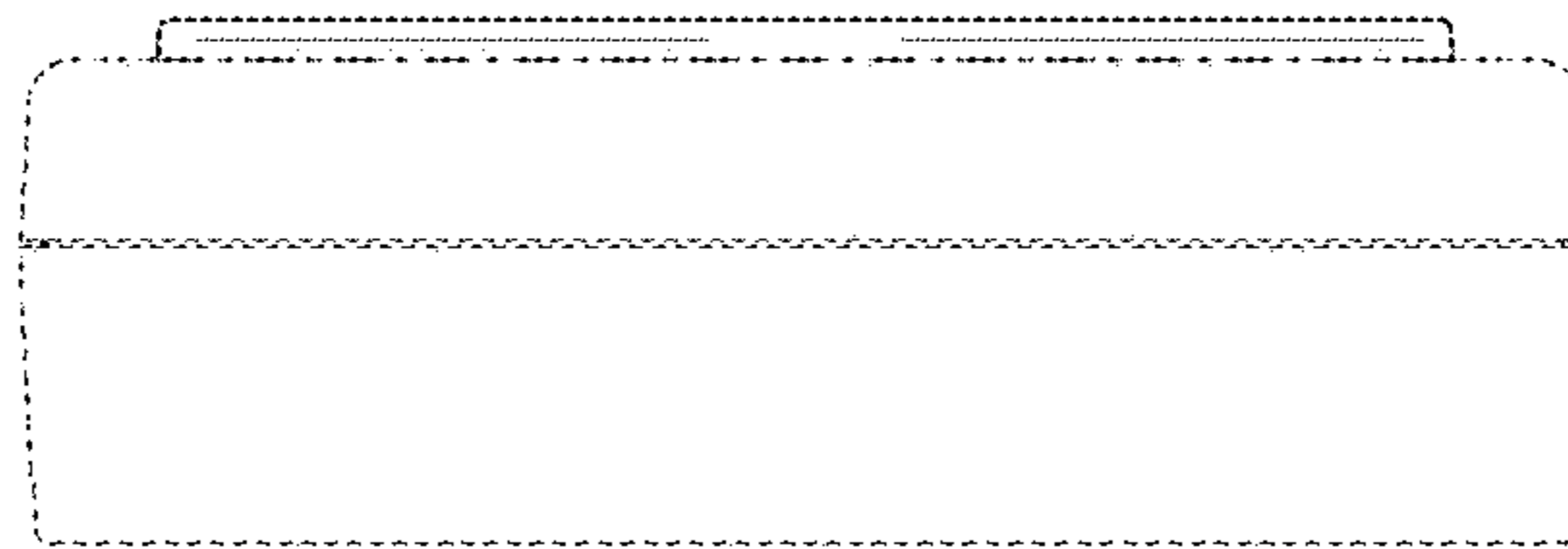


FIG. 22



FIG. 23

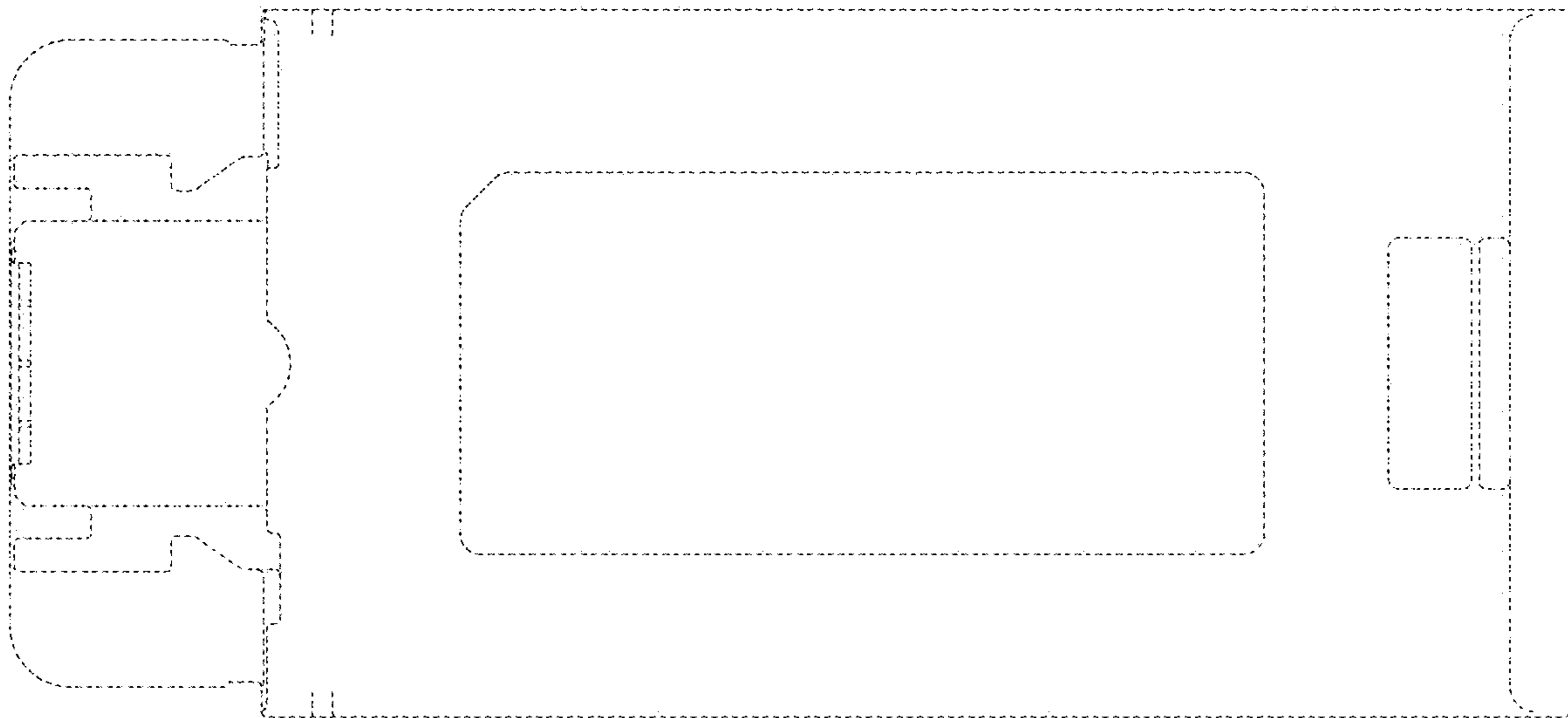


FIG. 24

