



US00D902929S

(12) **United States Design Patent**
Lautrop

(10) **Patent No.:** **US D902,929 S**

(45) **Date of Patent:** **** *Nov. 24, 2020**

(54) **PHOTO SCANNER**

(71) Applicant: **Simon Lautrop**, Frederiksberg C (DK)

(72) Inventor: **Simon Lautrop**, Frederiksberg C (DK)

(*) Notice: This patent is subject to a terminal disclaimer.

(**) Term: **15 Years**

(21) Appl. No.: **35/502,494**

(22) Filed: **Sep. 29, 2016**

(80) **Hague Agreement Data**

Int. Filing Date: **Sep. 29, 2016**

Int. Reg. No.: **DM/094700**

Int. Reg. Date: **Sep. 29, 2016**

Int. Reg. Pub. Date: **Feb. 24, 2017**

(30) **Foreign Application Priority Data**

Apr. 1, 2016 (EM) 003052729-0001

(51) **LOC (12) Cl.** **14-02**

(52) **U.S. Cl.**
USPC **D14/420**

(58) **Field of Classification Search**
USPC D14/420, 426-428, 447, 456, 363, 358,
D14/240, 356, 370, 383, 432, 433, 454,
(Continued)

(56) **References Cited**

U.S. PATENT DOCUMENTS

D237,755 S * 11/1975 Ray, Jr. D14/440

D242,587 S * 12/1976 Sklaroff D6/656.15

(Continued)

OTHER PUBLICATIONS

Opfinder i mål med produkt uden eksterne penge, announced Sep. 7, 2016 [online], [retrieved Feb. 9, 2018]. Available from Internet,

URL: <<http://borsen.dk/nyheder/avisen/artikel/11/150045/artikel.html>>.*

(Continued)

Primary Examiner — Dana K Weiland

(74) *Attorney, Agent, or Firm* — Duane Morris LLP

(57) **CLAIM**

The ornamental design for a photo scanner, as shown and described.

DESCRIPTION

1.1 is a rear, bottom, right-side perspective view of the upper frame of a photo scanner showing the new design separately to show aspects of the design that are not visible when combined;

1.2 is a front, top, right-side perspective view of the photo holder of the photo scanner shown separately to show aspects of the design that are not visible when combined;

1.3 is a front, bottom, left-side perspective view thereof;

1.4 is a front, top, left-side perspective view of the photo scanner;

1.5 is a front, top, right-side perspective view of the base of the photo scanner shown separately to show aspects of the design that are not visible when combined;

1.6 is a front, top, right-side perspective view of the cap of the photo scanner shown separately to show aspects of the design that are not visible when combined;

1.7 is a front, top, right-side perspective view of the base cover of the photo scanner shown separately to show aspects of the design that are not visible when combined;

1.8 is a front view of the photo scanner;

1.9 is a rear view thereof;

1.10 is a left-side view thereof;

1.11 is a right-side view thereof;

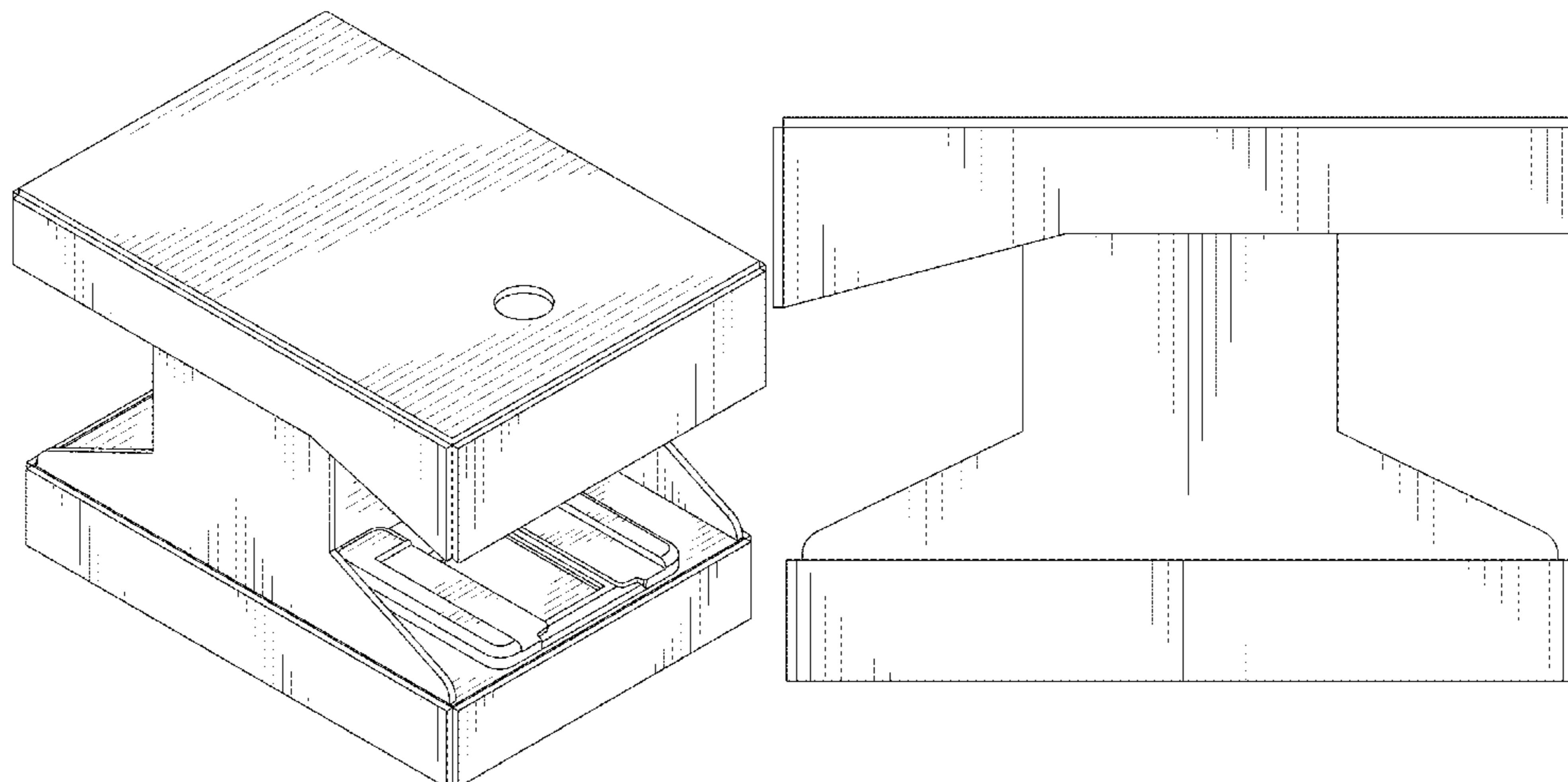
1.12 is a top view thereof;

1.13 is a bottom view thereof; and

1.14 is a front, top, left-side exploded view thereof.

The broken lines shown are included for the purpose of illustrating portions of the photo scanner that form no part of the claimed design.

1 Claim, 14 Drawing Sheets



(58) **Field of Classification Search**

USPC D14/439, 443; D18/4.6, 36–56; D19/75,
D19/86, 90, 92; D99/28, 29, 43
CPC H04N 1/00236; H04N 1/00; G07G 1/0081;
G06Q 20/20

See application file for complete search history.

(56) **References Cited**

U.S. PATENT DOCUMENTS

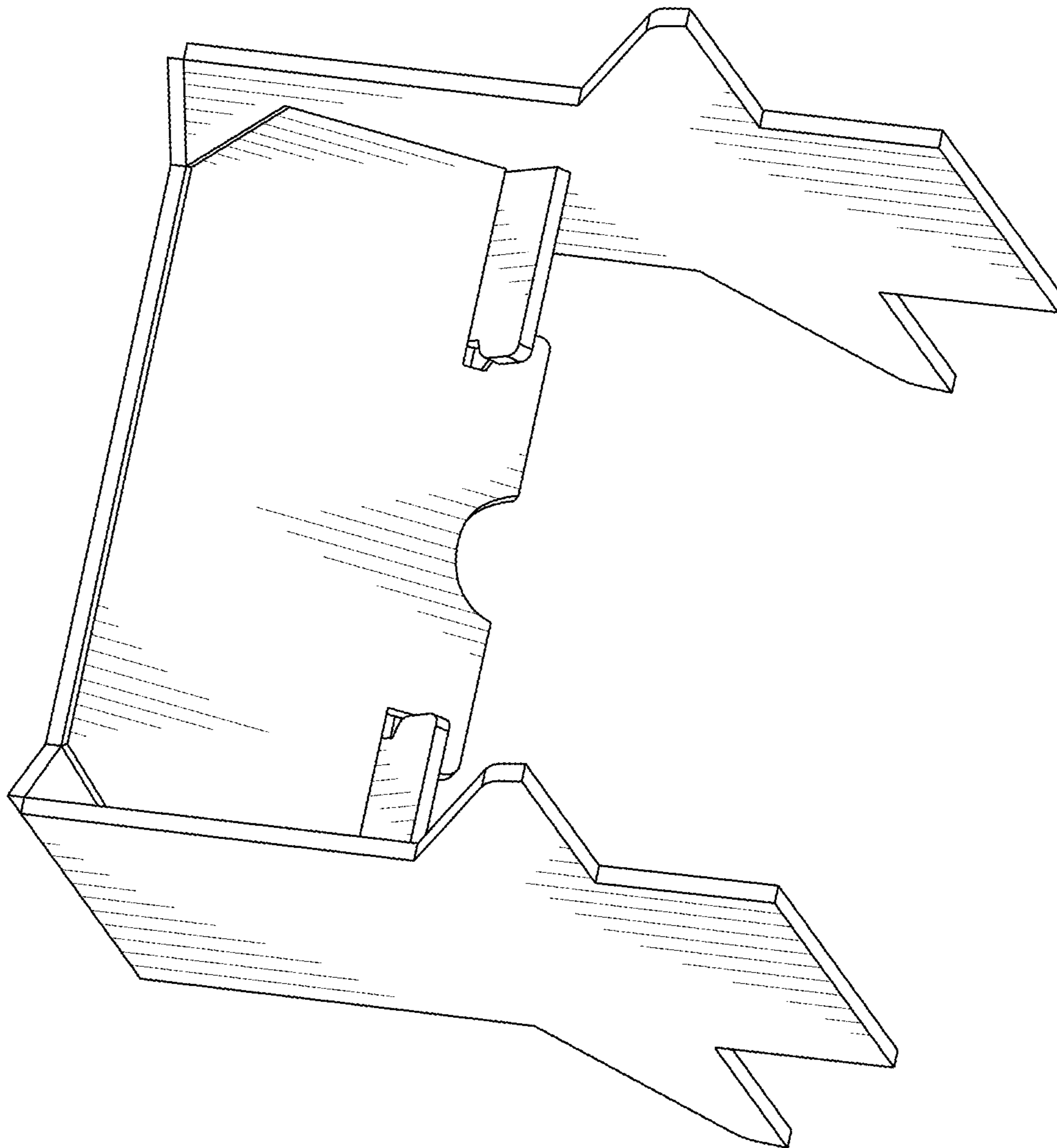
D249,048 S * 8/1978 Drell D19/92
D261,904 S * 11/1981 Polhemus D19/92
D286,957 S * 12/1986 Johnson D11/146
D338,664 S * 8/1993 Goff D14/447
D382,904 S * 8/1997 Comeaux D19/90
D392,680 S * 3/1998 Shaefer D19/86
D408,206 S * 4/1999 Stafford D7/306
D600,545 S * 9/2009 Quach D3/215
D617,361 S * 6/2010 Simonsen D16/225
D649,192 S * 11/2011 Beukema D19/75
D700,607 S * 3/2014 Cederstrom D14/420
D702,237 S * 4/2014 Oberpriller D14/420
D707,485 S * 6/2014 Thul D7/300
8,777,109 B2 * 7/2014 Oberpriller G06K 7/1095
235/375
D717,308 S * 11/2014 Knoll D14/453
D727,327 S * 4/2015 Quilter D14/420
D735,341 S * 7/2015 Chang D24/176
D737,452 S * 8/2015 Park D24/185
D742,010 S * 10/2015 Metcalf D24/158
D742,878 S * 11/2015 Sedlmeir D14/385
D752,240 S * 3/2016 Chan D24/216

D755,181 S * 5/2016 Mistkawi D14/420
D770,830 S * 11/2016 Eliav D18/50
D774,034 S * 12/2016 Kheradpir D14/426
D776,818 S * 1/2017 Metcalf D24/158
D791,414 S * 7/2017 Wilgus D30/124
D803,218 S * 11/2017 Zhou D14/420
D810,084 S * 2/2018 Quilter D14/420
D813,586 S * 3/2018 Fuller D7/306
D823,039 S * 7/2018 Grassia D7/309
D834,860 S * 12/2018 McKenna D6/694
D842,862 S * 3/2019 Ellis D14/447
D844,472 S * 4/2019 Van Wijngaarden D10/97
D846,934 S * 4/2019 Tewari D7/306
D847,552 S * 5/2019 Bock-Aronson D7/306
D858,167 S * 9/2019 Lenart D7/306
D858,255 S * 9/2019 Fox D8/354
D860,993 S * 9/2019 McDermott D14/420
D861,002 S * 9/2019 Bergeron-Mirsky D14/447
D861,167 S * 9/2019 Emery D24/158
2013/0057927 A1 * 3/2013 Durant H04N 1/00541
358/474

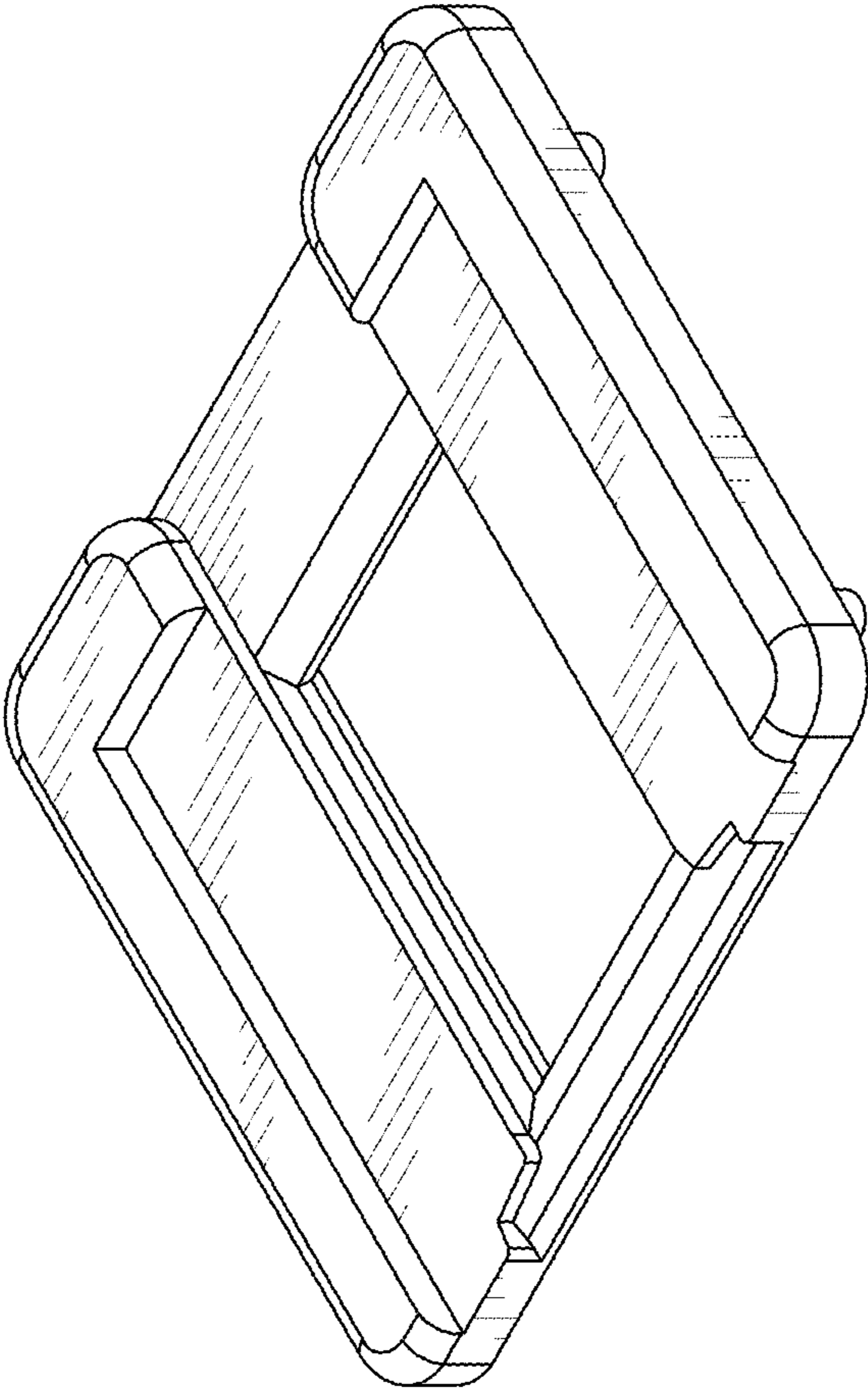
OTHER PUBLICATIONS

PictoScanner, announced 2016 [online], [retrieved Feb. 9, 2018].
Available from Internet, URL: <[http://www.bornholms-kunstmuseum.
dk/shop/diverse/picto-scanner.aspx](http://www.bornholms-kunstmuseum.dk/shop/diverse/picto-scanner.aspx)>.*
Pictoscanner—for 35mm negatives, announced 2019 [online], [retrieved
Oct. 3, 2019]. Available from Internet, URL: <[https://
oneofmanycameras.com/products/pictoscanner-for-35mm-
negatives](https://oneofmanycameras.com/products/pictoscanner-for-35mm-negatives)> (Year: 2019).*

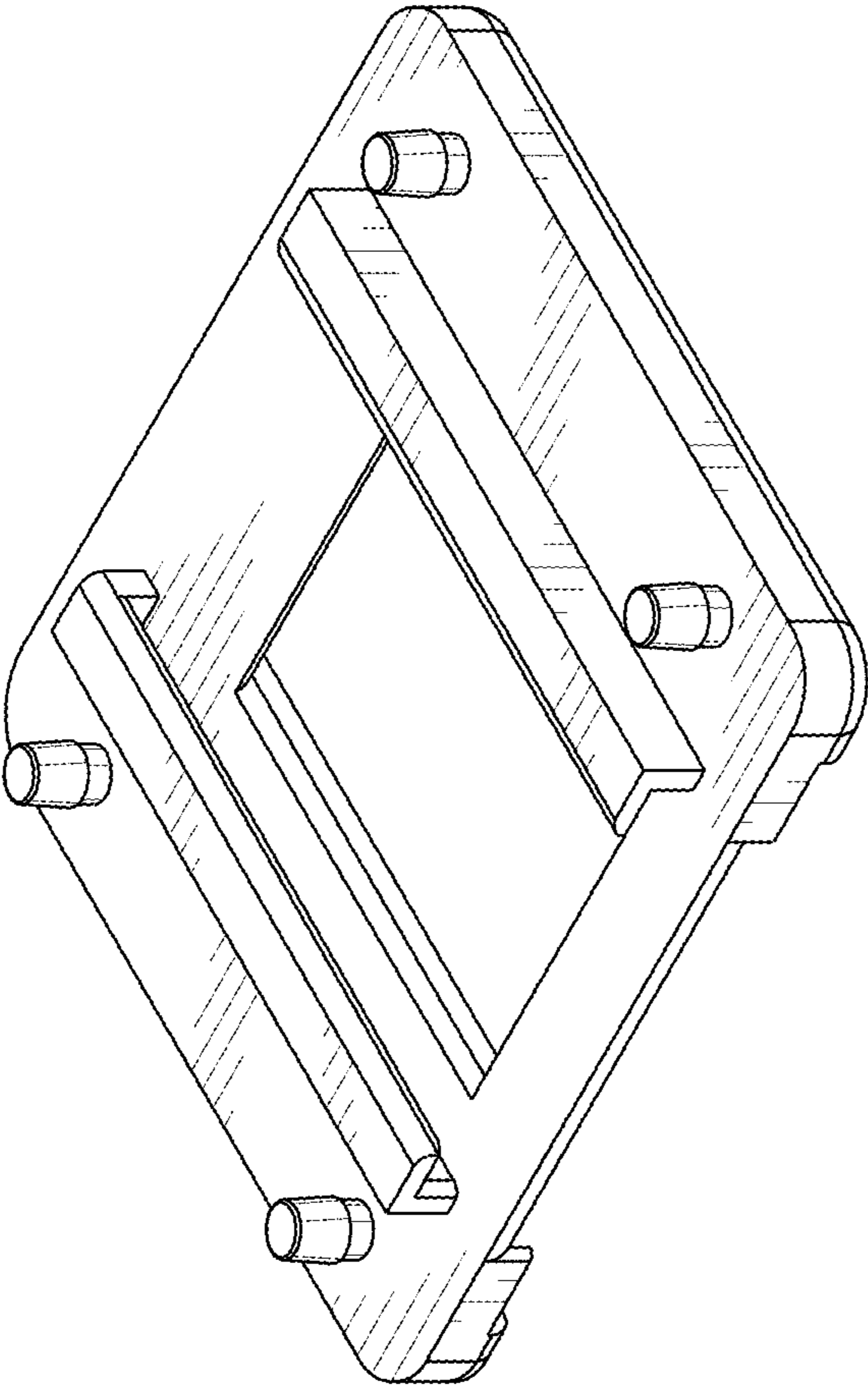
* cited by examiner



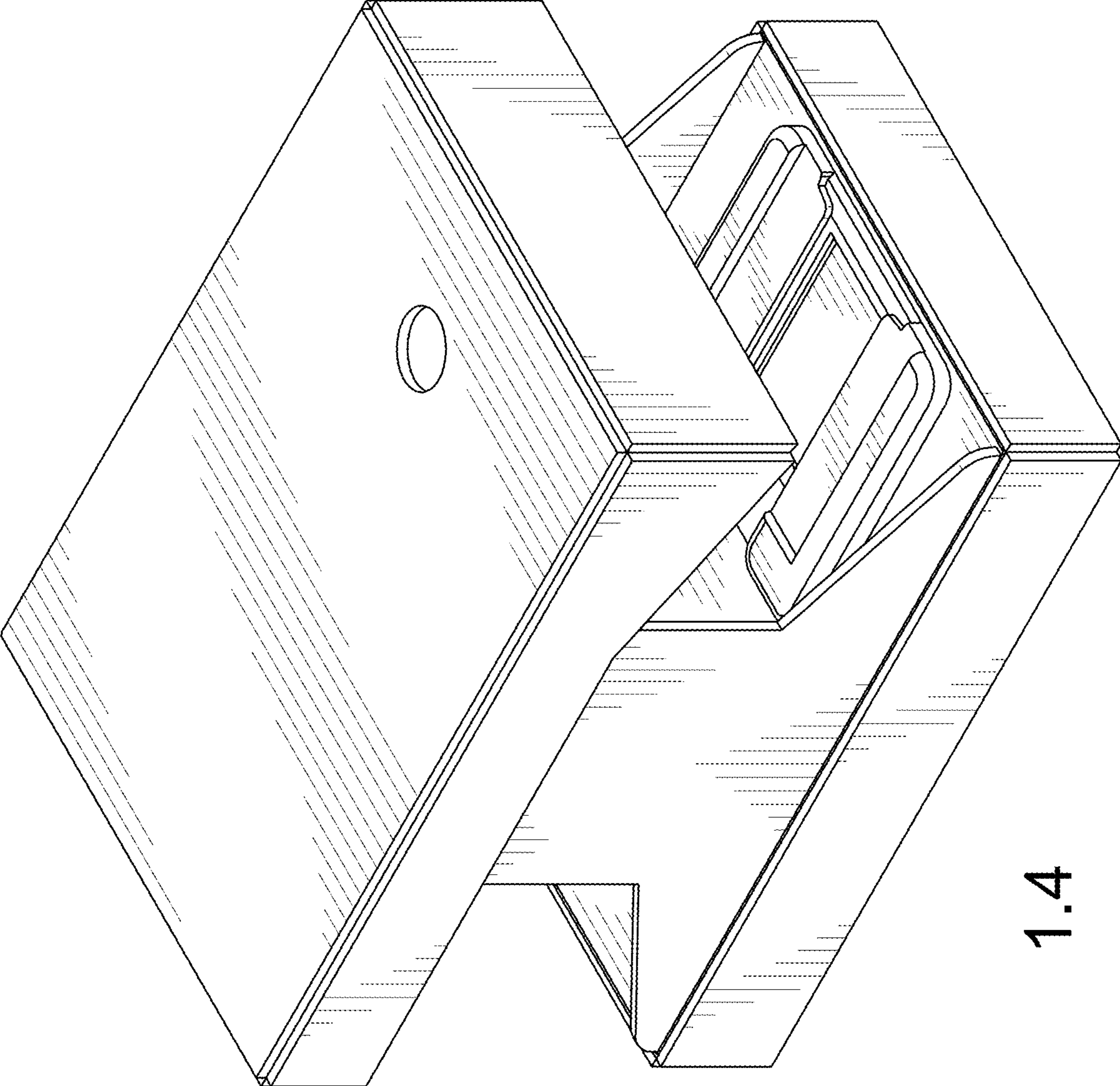
1.1

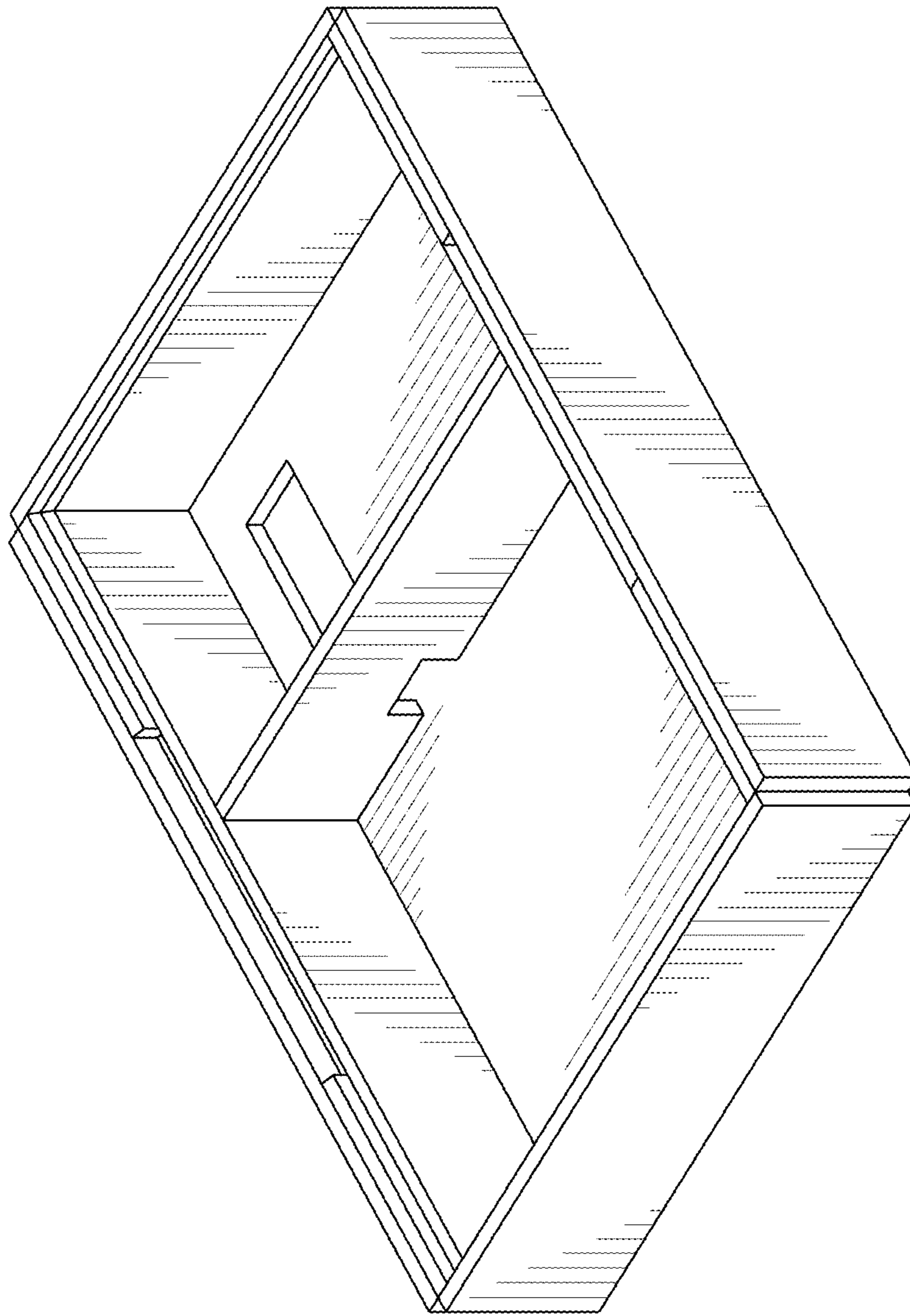


1.2

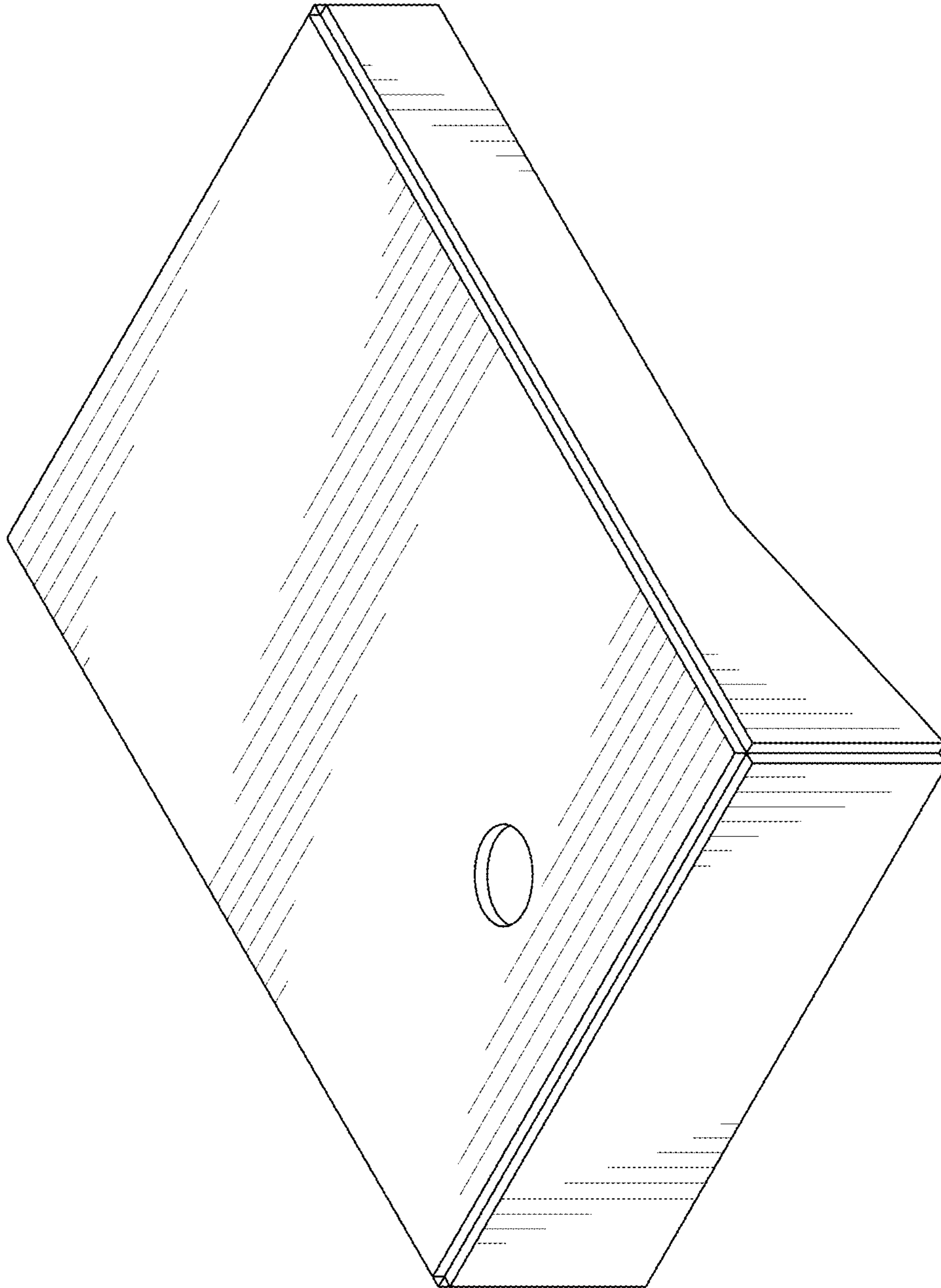


1.3

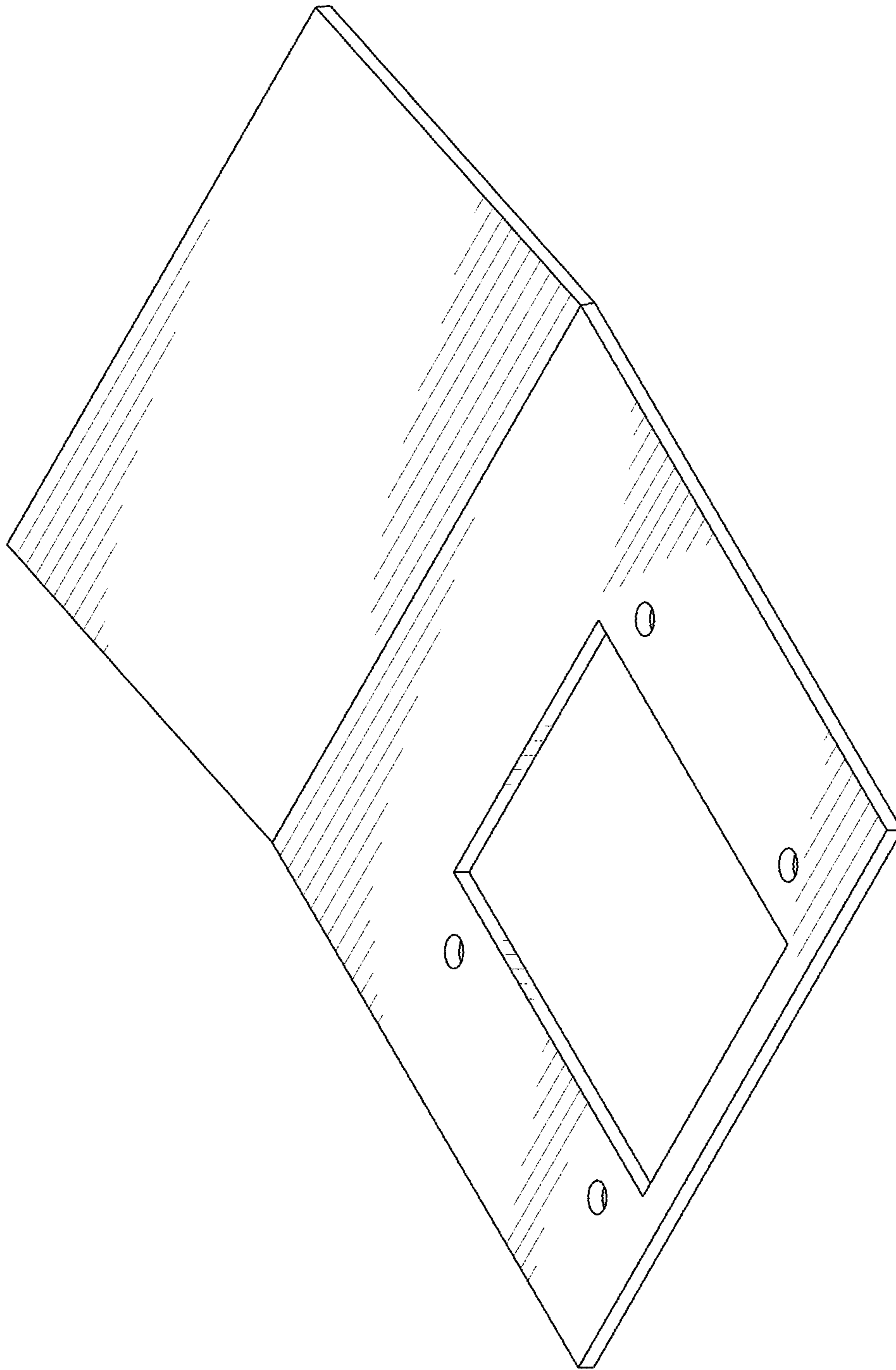




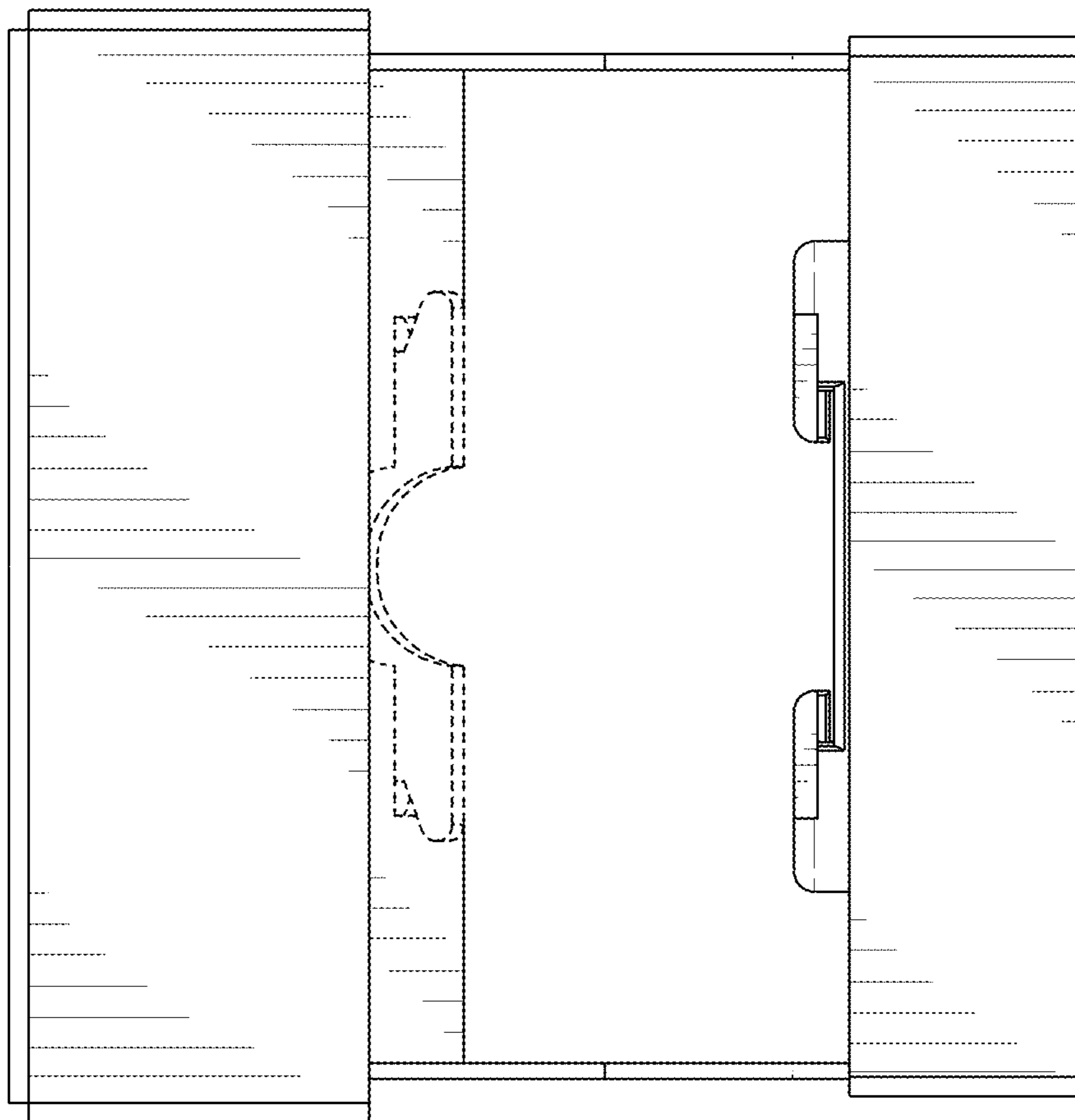
1.5



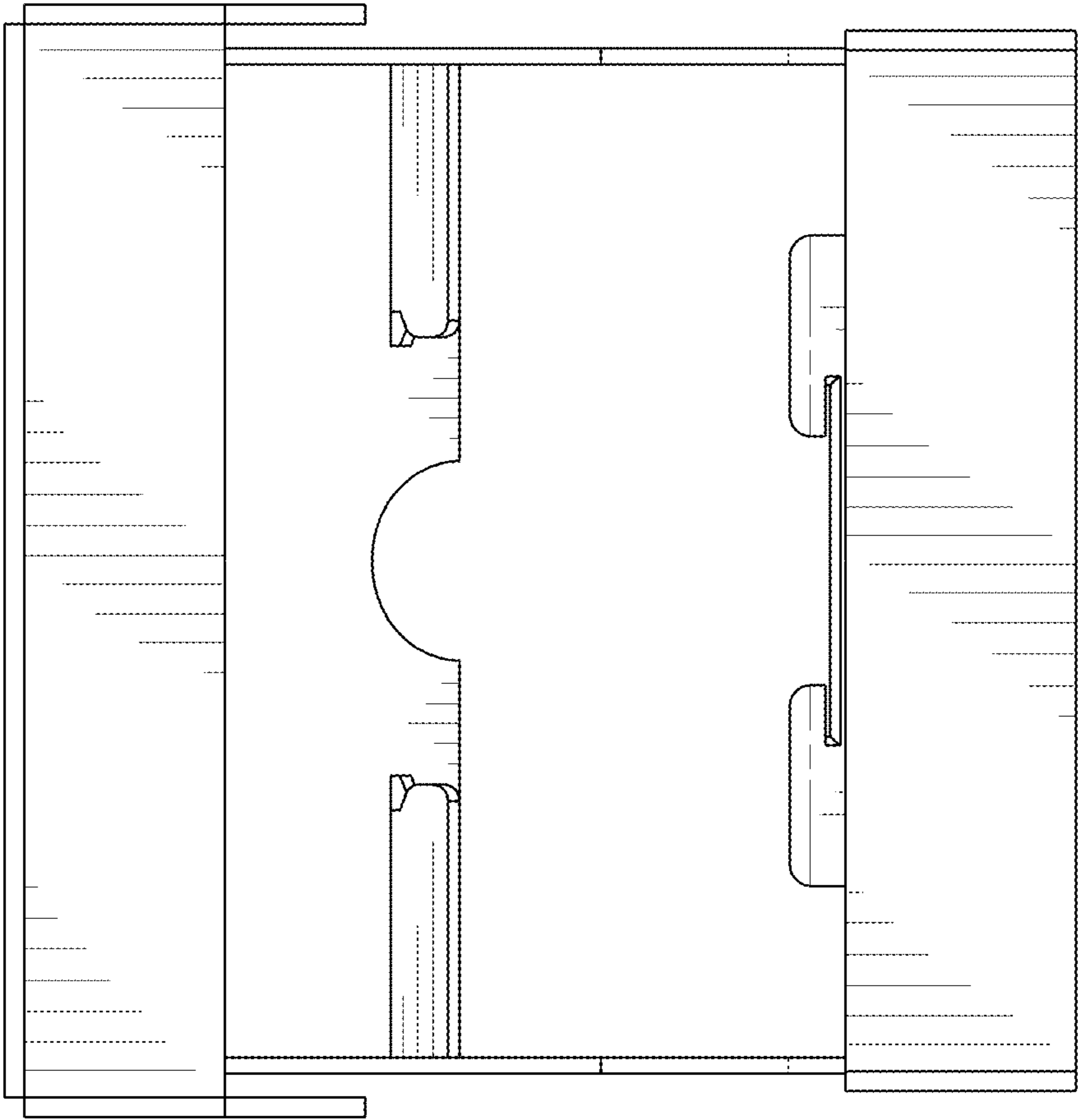
1.6



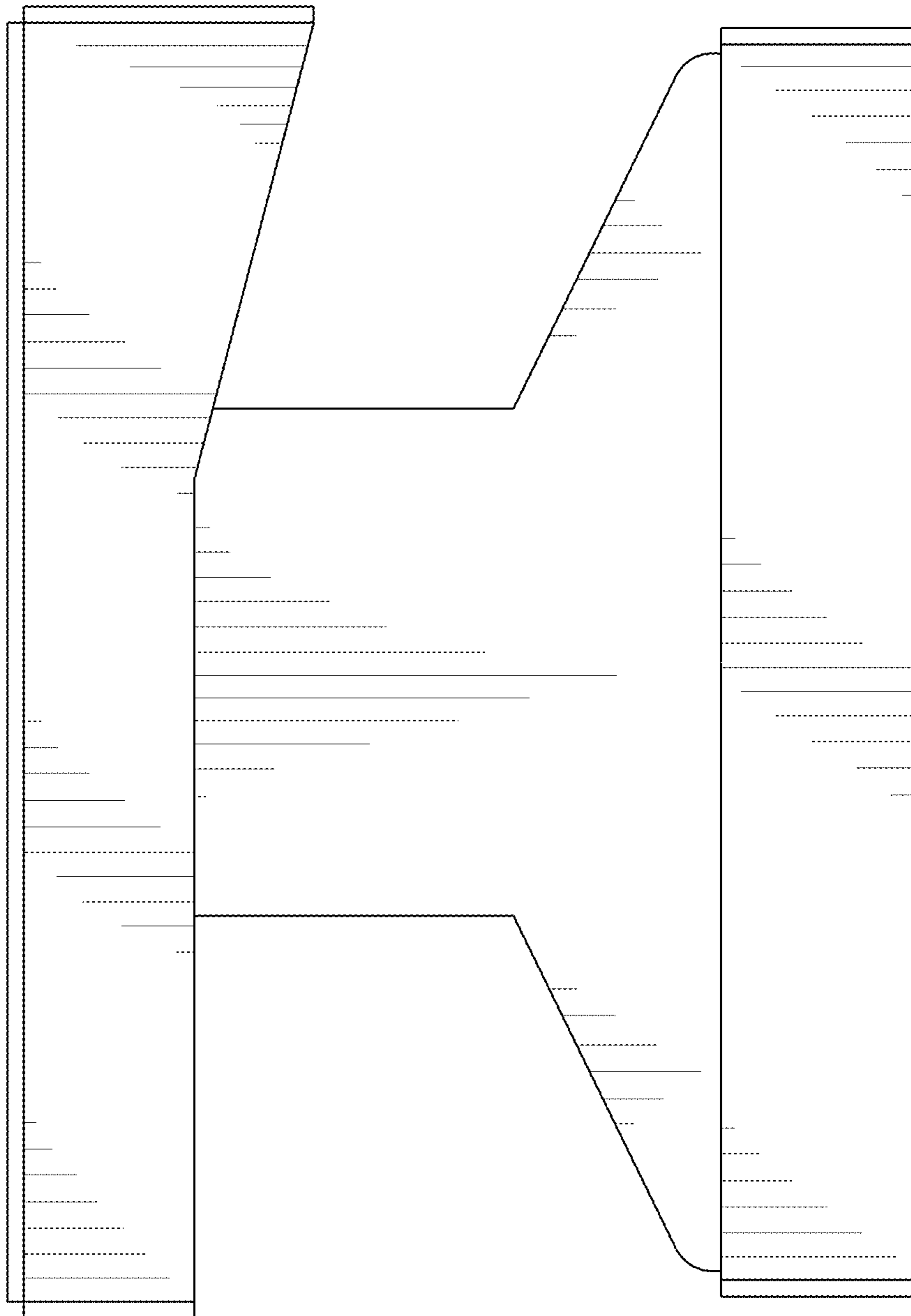
1.7



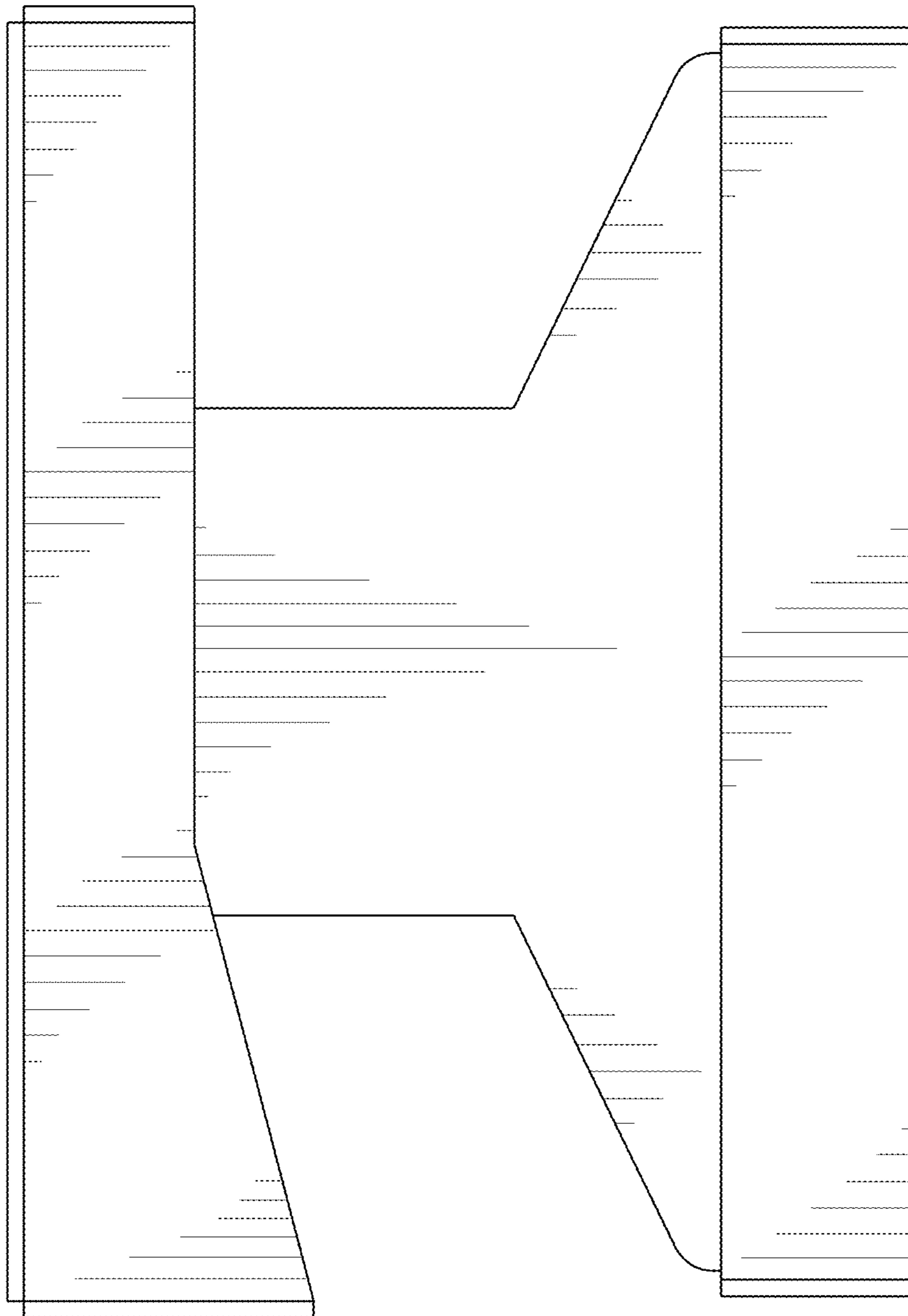
1.8



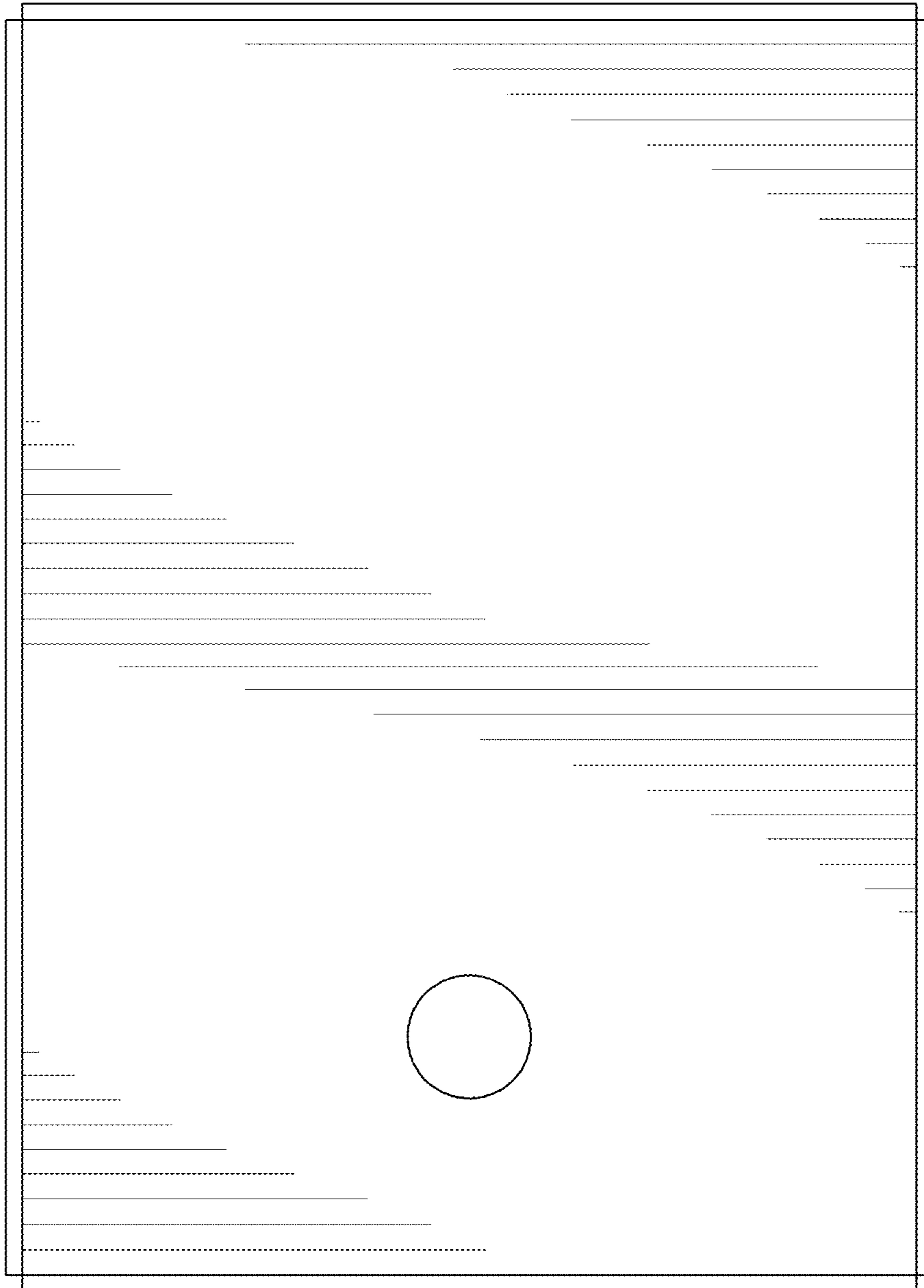
1.9



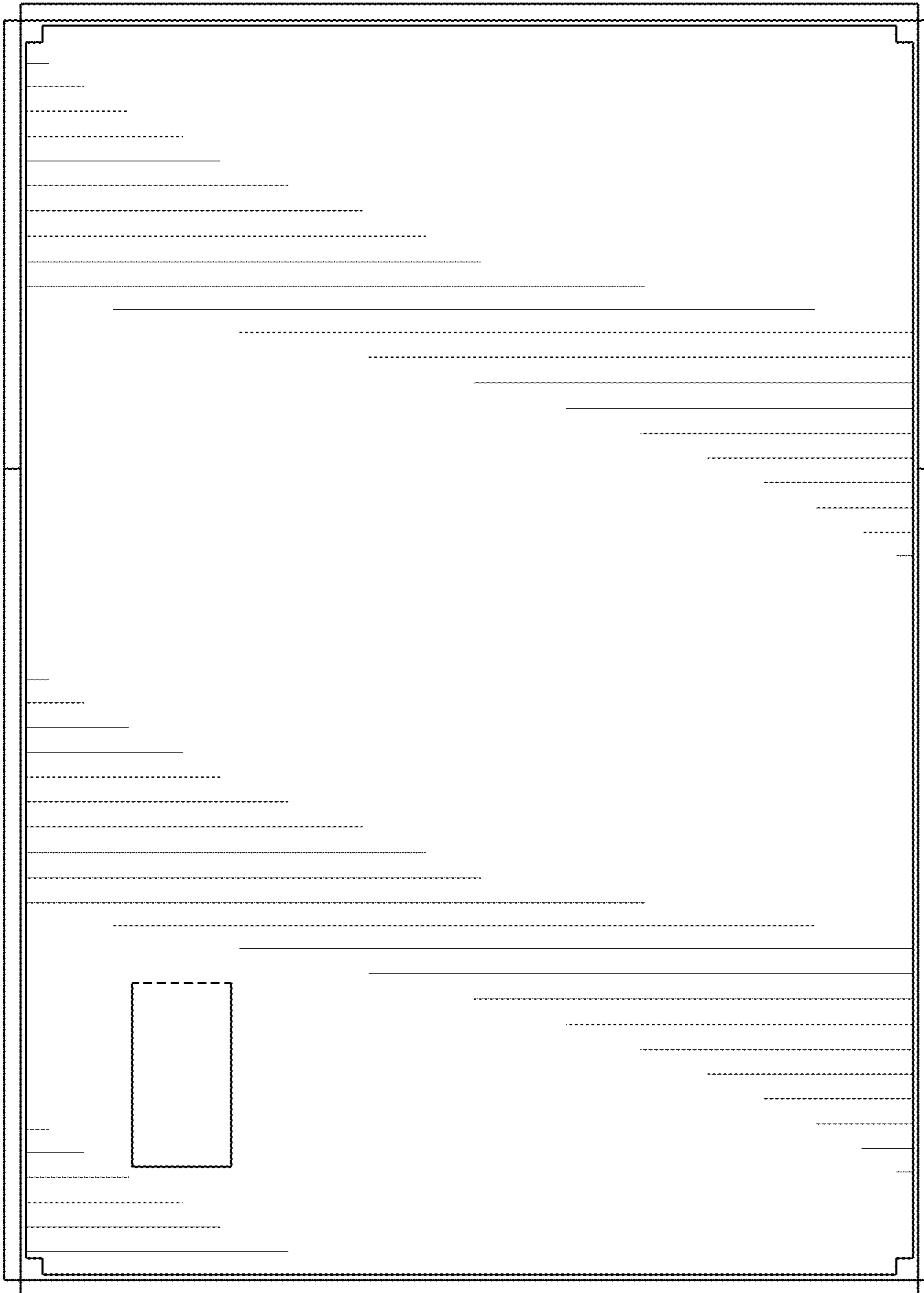
1.10



1.11



1.12



1.13

1.14

