



US00D902927S

(12) **United States Design Patent**
Hu

(10) **Patent No.:** **US D902,927 S**

(45) **Date of Patent:** **** Nov. 24, 2020**

(54) **CONTROLLER**

(71) Applicant: **HoloKit, Inc.**, Palo Alto, CA (US)

(72) Inventor: **Botao Hu**, Palo Alto, CA (US)

(73) Assignee: **HOLOKIT, INC.**, Palo Alto, CA (US)

(**) Term: **15 Years**

(21) Appl. No.: **29/693,703**

(22) Filed: **Jun. 4, 2019**

(51) **LOC (12) Cl.** **14-02**

(52) **U.S. Cl.**
USPC **D14/388**; D21/333; D14/400

(58) **Field of Classification Search**
USPC D14/388, 218, 454, 299, 496, 400, 401,
D14/402, 405, 409, 410, 412, 357;
D21/333; D13/168
CPC A63F 13/24; A63F 13/213; A63F 13/214;
A63F 13/00; A63F 13/212; A63F 13/20;
G06F 3/014; G06F 3/017; G06F 3/02;
G06F 3/03547; G06F 3/03549; G06F
3/041; G06F 3/0416; G06F 3/044; G06F
3/047; G05G 9/047
See application file for complete search history.

(56) **References Cited**

U.S. PATENT DOCUMENTS

D327,674 S *	7/1992	Kuo	D14/412
D368,901 S *	4/1996	Currid	D14/417
D377,797 S *	2/1997	Stropkay	D14/218
D380,473 S *	7/1997	Otani	D14/218
D383,134 S *	9/1997	Patton	D14/218
D386,763 S *	11/1997	Starck	D14/218
D405,071 S *	2/1999	Gambaro	D14/347
D420,006 S *	2/2000	Tonino	D14/218
D466,510 S *	12/2002	Yang	D14/402
D486,144 S *	2/2004	Esslinger	D14/218
D494,584 S *	8/2004	Schlieffers	D14/346

6,850,221 B1 *	2/2005	Tickle	G06F 3/0338 345/157
D502,929 S *	3/2005	Copeland	D13/168
D540,882 S *	4/2007	Crook	D21/333
D556,201 S *	11/2007	Ashida	D21/333
D556,760 S *	12/2007	Ashida	D21/333
D567,243 S *	4/2008	Ashida	D21/333
D569,814 S *	5/2008	Ikeda	D13/168
D570,793 S *	6/2008	Ikeda	D13/168

(Continued)

Primary Examiner — Marie D. Fast Horse

(57) **CLAIM**

I claim the ornamental design for a controller, substantially as shown and described.

DESCRIPTION

A portion of the disclosure of this patent document contains material to which a claim for copyright is made. The copyright owner has no objection to the facsimile reproduction by anyone of the patent document or the patent disclosure, as it appears in the Patent and Trademark Office patent file, but reserves all other copyright rights whatsoever.

FIG. 1 is a perspective view of a controller showing our new design viewed from front top left;

FIG. 2 is perspective view of FIG. 1 viewed from rear bottom left;

FIG. 3 is a perspective view thereof viewed from front bottom left;

FIG. 4 is a perspective view thereof viewed from rear top left;

FIG. 5 is a top view thereof;

FIG. 6 is a bottom view thereof;

FIG. 7 is a left side view thereof;

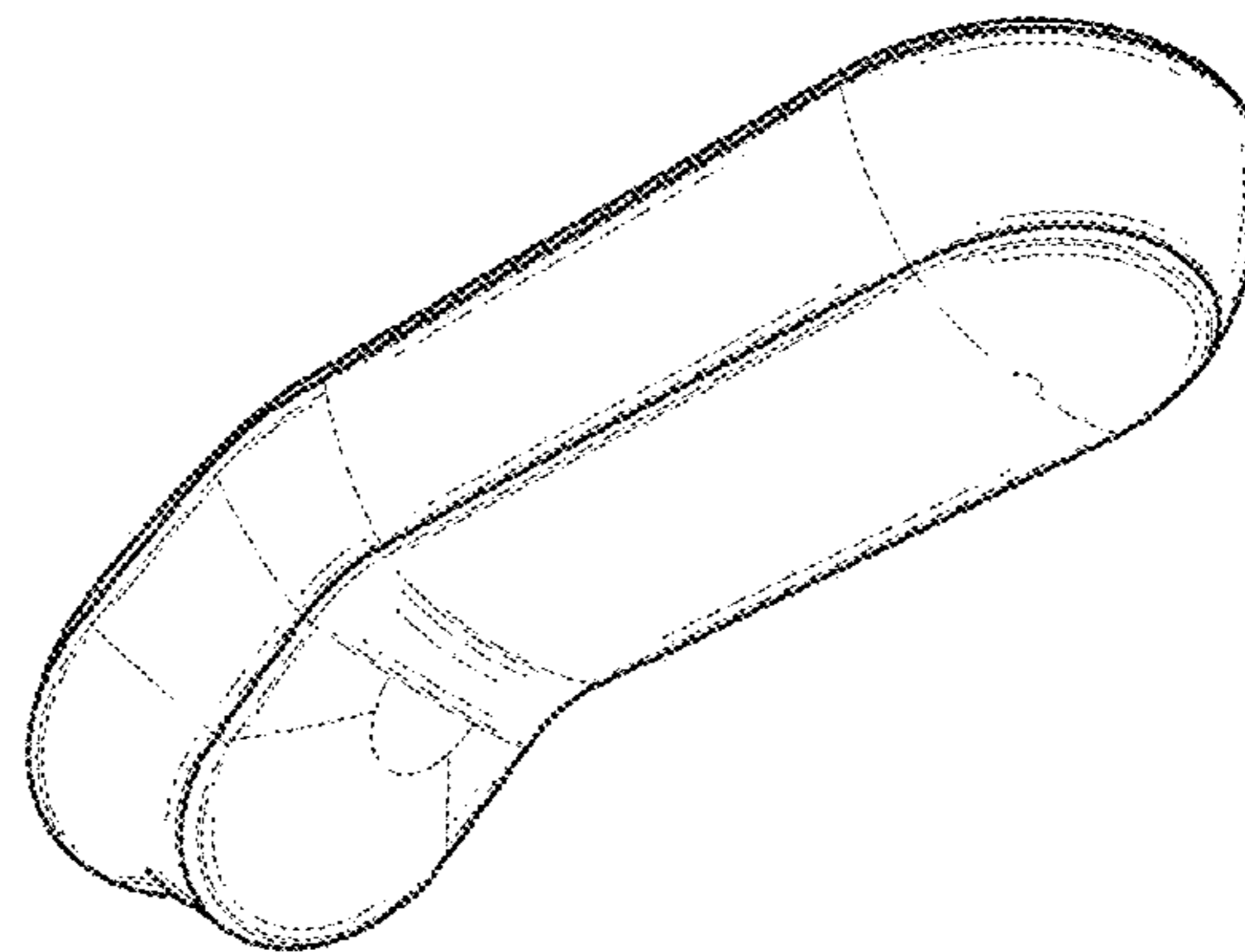
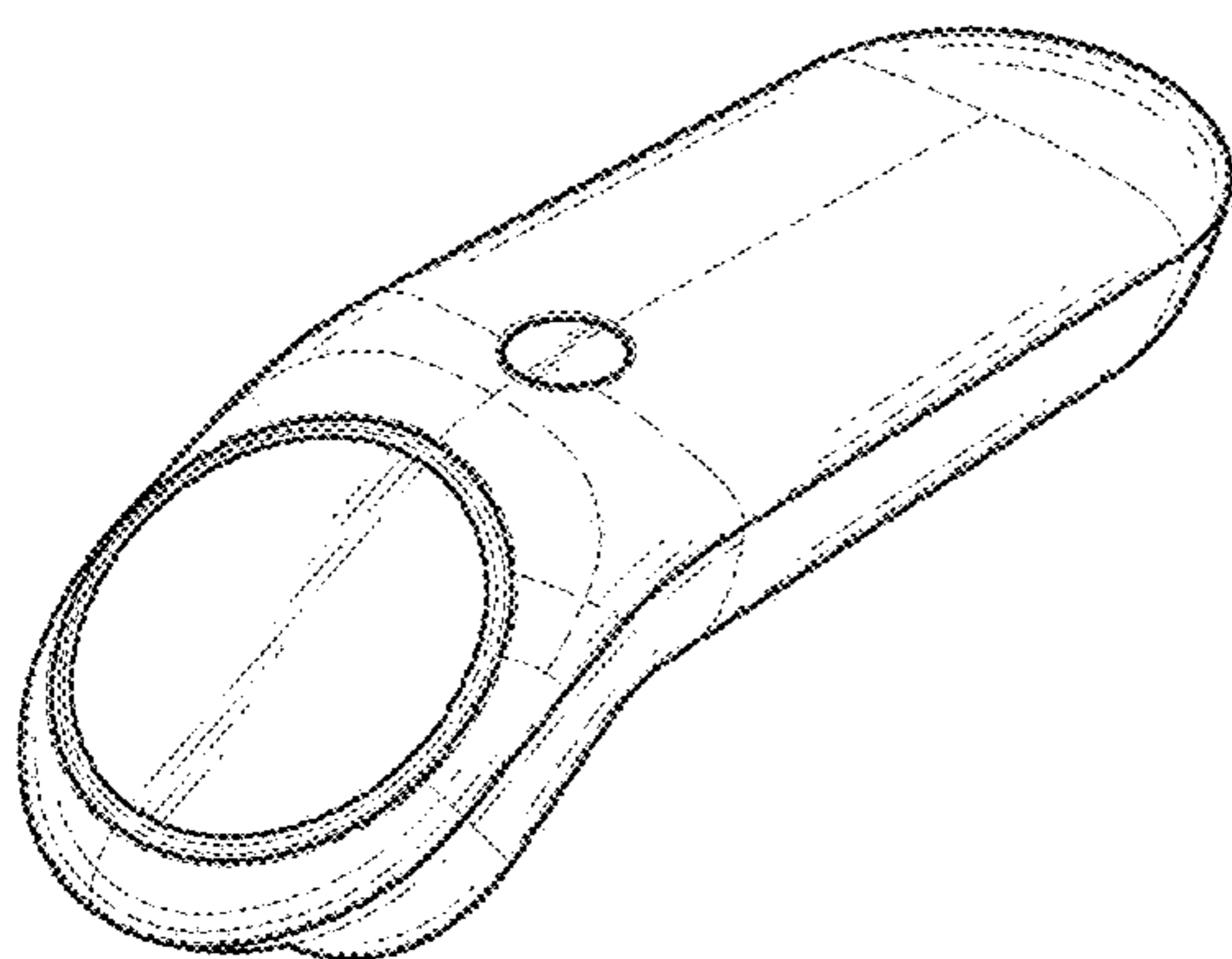
FIG. 8 is a right side view thereof;

FIG. 9 is a front view thereof; and,

FIG. 10 is a rear view thereof.

The broken lines in the drawings depict portions of the controller that form no part of the claimed design.

1 Claim, 10 Drawing Sheets



(56)

References Cited

U.S. PATENT DOCUMENTS

D587,713 S *	3/2009	Sutton	D14/412	D776,091 S *	1/2017	Spio	D14/218
D589,515 S *	3/2009	Brunner	D14/412	D776,640 S *	1/2017	Simonian	D14/218
D594,065 S *	6/2009	Oikawa	D21/333	D784,990 S *	4/2017	Huang	D21/333
D594,067 S *	6/2009	Oikawa	D21/333	D790,483 S *	6/2017	Yoon	D13/168
D602,097 S *	10/2009	Oikawa	D21/333	D790,484 S *	6/2017	Bristol	D13/168
D603,841 S *	11/2009	Foley	D14/218	D796,454 S *	9/2017	Zheng	D13/168
D611,477 S *	3/2010	Brunner	D14/412	D797,743 S *	9/2017	Awad	D21/333
D620,925 S *	8/2010	Geck	D14/218	D798,274 S *	9/2017	Huang	D14/218
D625,275 S *	10/2010	Yano	D13/168	D798,275 S *	9/2017	Huang	D14/218
D626,517 S *	11/2010	Yano	D13/168	D804,579 S *	12/2017	Britt	D21/333
D627,744 S *	11/2010	Yano	D13/168	D804,580 S *	12/2017	Britt	D21/333
D630,168 S *	1/2011	Yano	D13/168	D805,484 S *	12/2017	Bristol	D13/168
D638,841 S *	5/2011	Musick, Jr.	D21/333	D806,173 S *	12/2017	Britt	D21/333
D640,258 S *	6/2011	Hobenshield	D21/333	D810,083 S *	2/2018	Kirkland	D14/412
D645,046 S *	9/2011	Hobenshield	D21/333	D813,203 S *	3/2018	Hardi	D14/218
D651,581 S *	1/2012	Yano	D13/168	D814,370 S *	4/2018	Kim	D13/168
D674,354 S *	1/2013	Yano	D13/168	D820,263 S *	6/2018	Rebello	D14/426
D691,217 S *	10/2013	Condon	D21/566	D827,613 S *	9/2018	Seo	D14/218
D693,333 S *	11/2013	Joe	D14/218	D828,337 S *	9/2018	Li	D14/218
D695,274 S *	12/2013	Barnsteiner	D14/218	D840,360 S *	2/2019	Scott	D13/168
D696,668 S *	12/2013	Chen	D14/402	D844,608 S *	4/2019	Chen	D21/333
D697,057 S *	1/2014	Kwon	D14/218	D849,743 S *	5/2019	Chen	D21/333
D698,358 S *	1/2014	Beams	D14/412	D863,446 S *	10/2019	Bristol	D21/333
D713,528 S *	9/2014	Li	D24/158	D864,301 S *	10/2019	Wei	D21/333
D715,774 S *	10/2014	Lee	D14/218	D880,602 S *	4/2020	Ehara	D21/333
D716,767 S *	11/2014	Lee	D14/218	D884,700 S *	5/2020	Shao	D21/333
D716,768 S *	11/2014	Lee	D14/218	D889,419 S *	7/2020	Gossens	D13/168
D734,743 S *	7/2015	Geck	D14/218	D891,430 S *	7/2020	Lee	D14/400
D772,821 S *	11/2016	Bristol	D13/168	2017/0135236 A1 *	5/2017	Tompkins	H05K 5/0086
				2018/0104576 A1 *	4/2018	Hope	A63F 13/24
				2018/0296913 A1 *	10/2018	Chen	G06F 3/03547

* cited by examiner

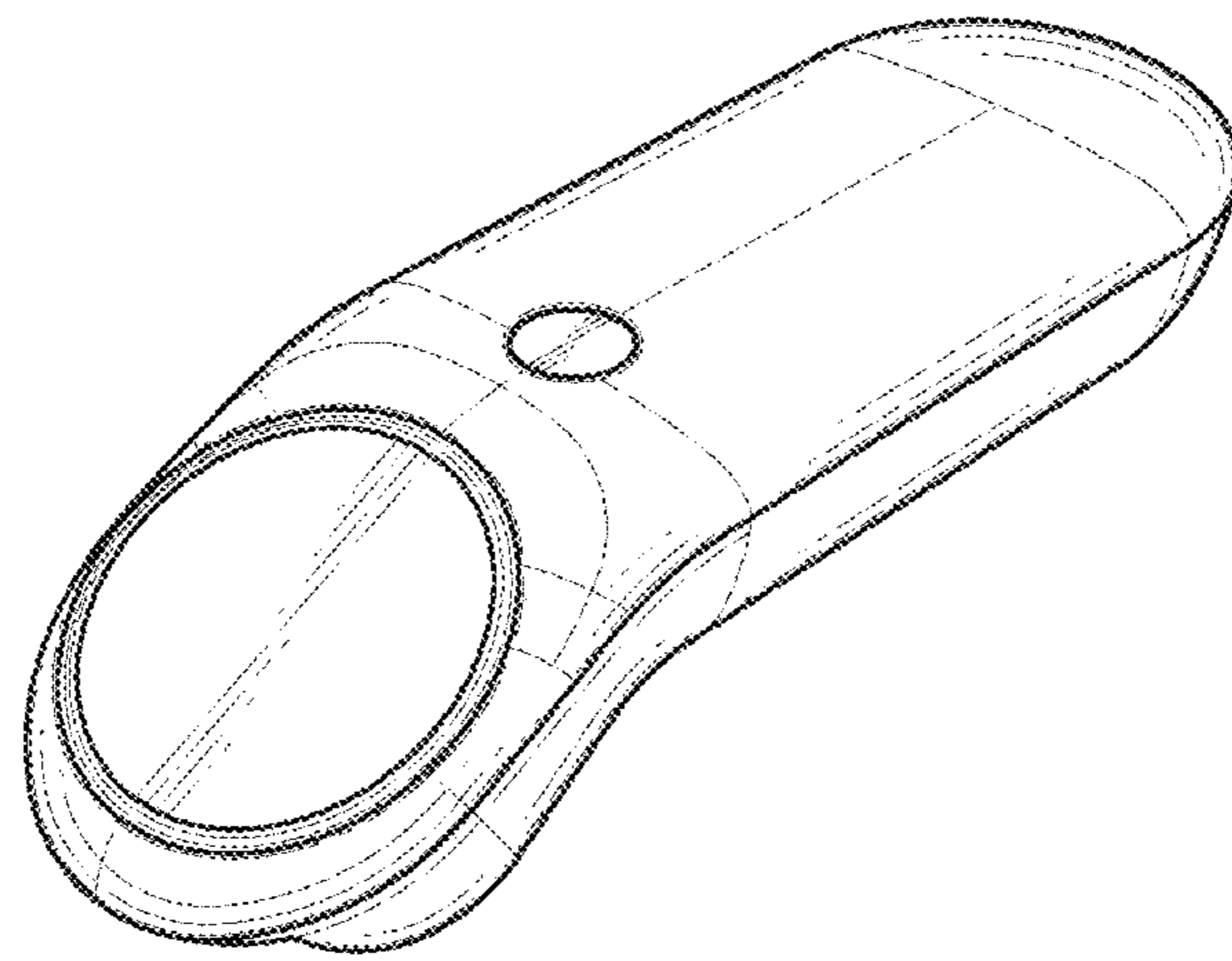


FIG. 1

© Holokit, Inc.

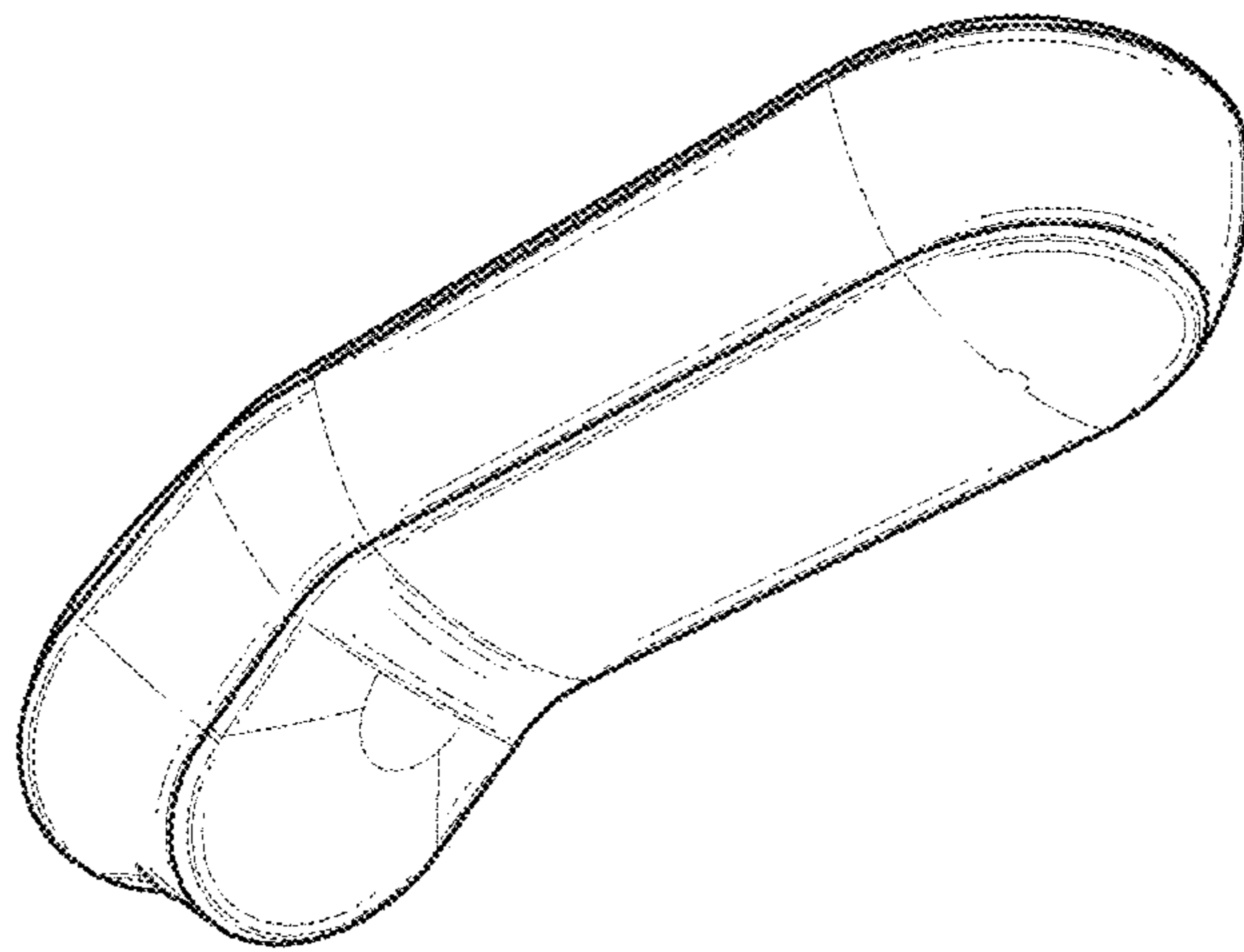


FIG. 2

© Holokit, Inc.

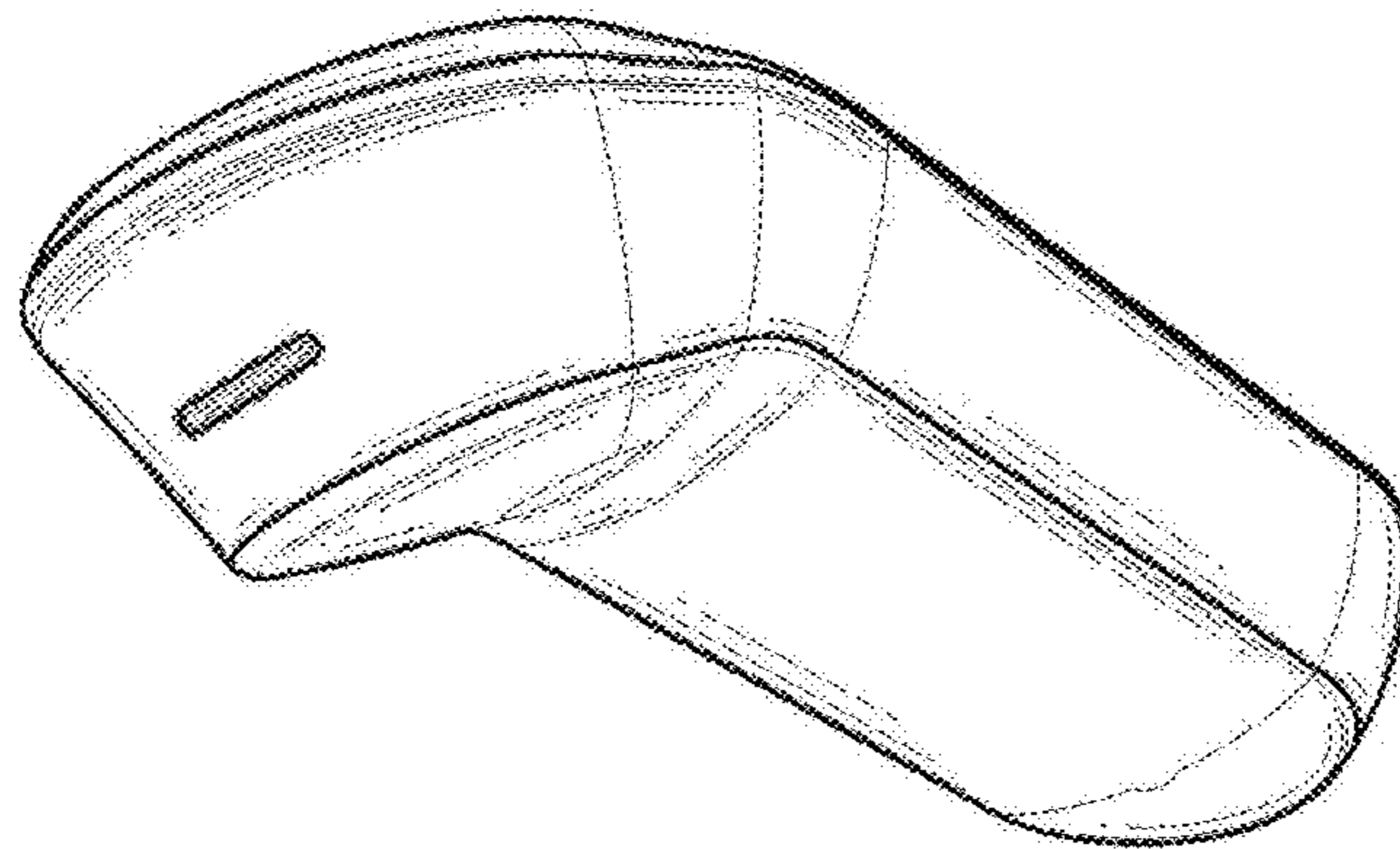


FIG. 3

© Holokit, Inc.

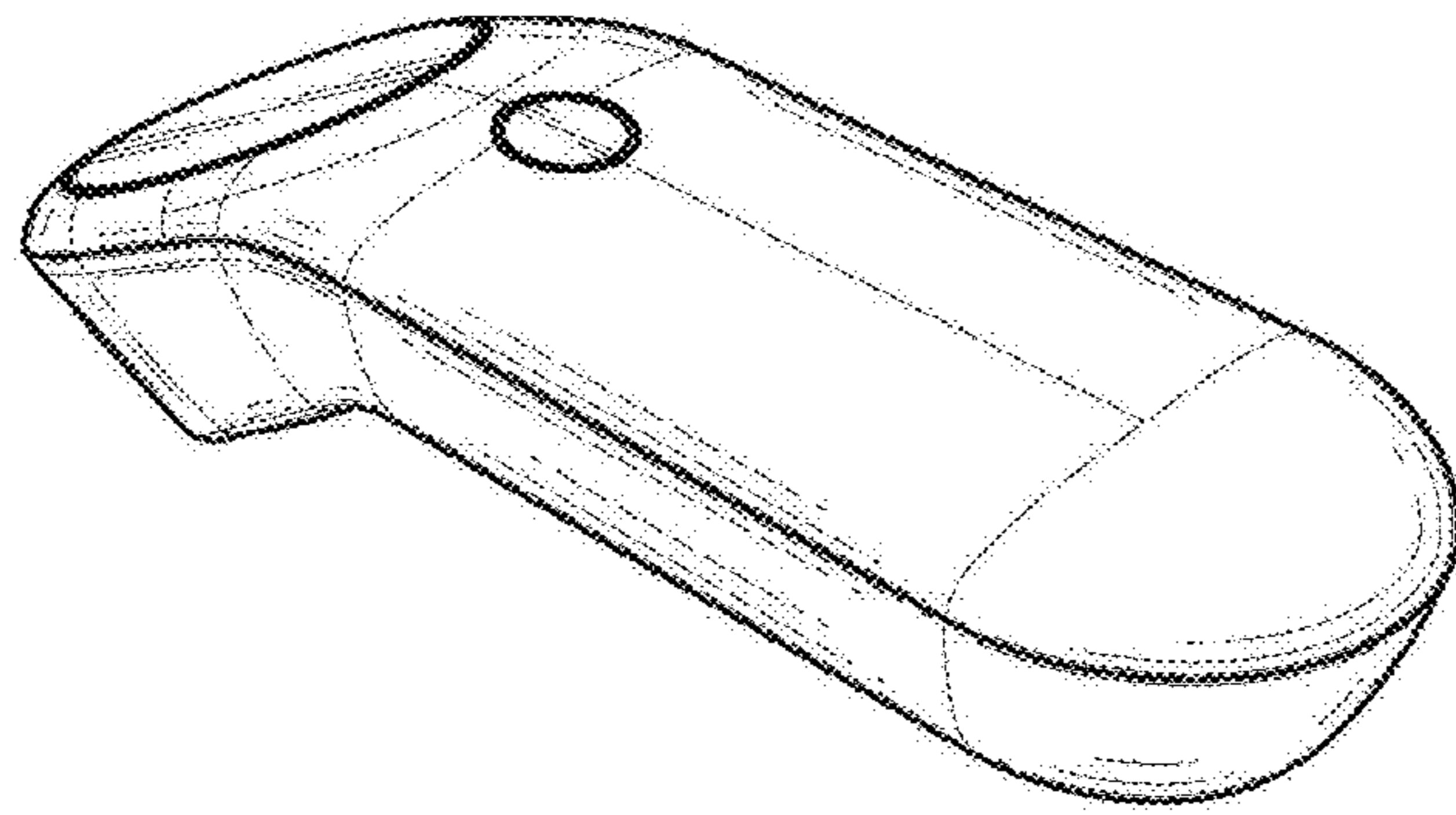


FIG. 4

© Holokit, Inc.

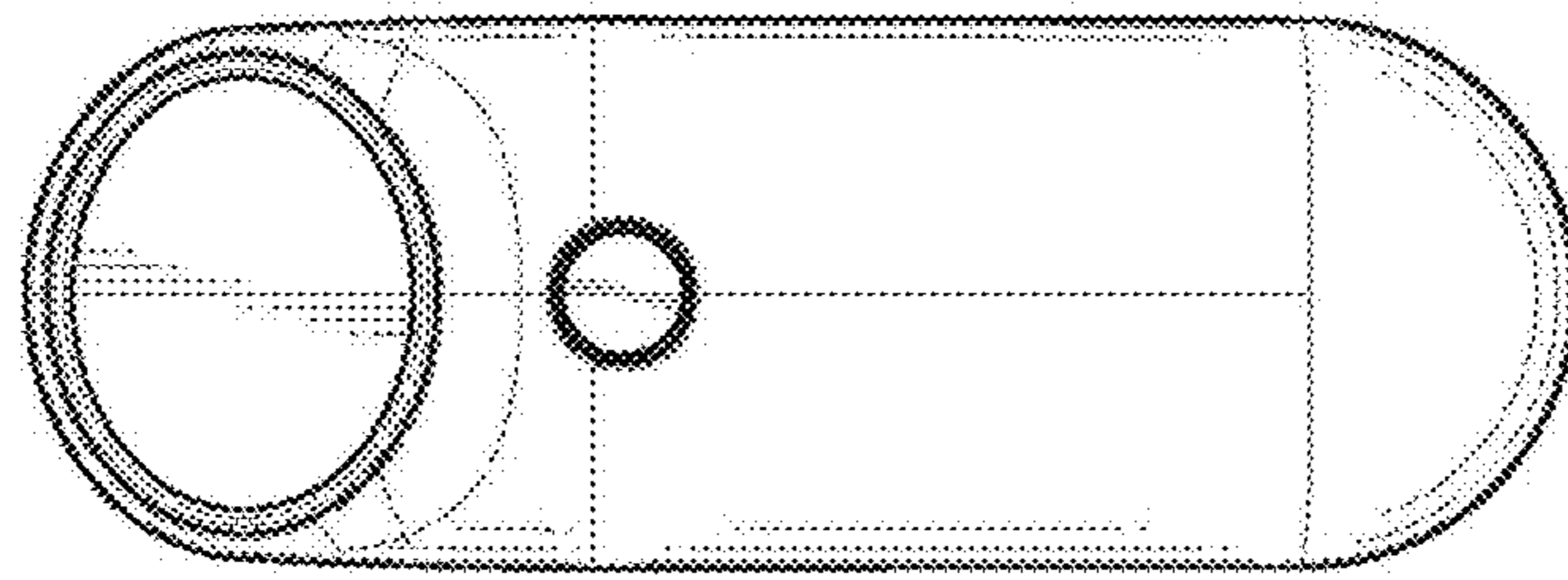


FIG. 5

© Holokit, Inc.

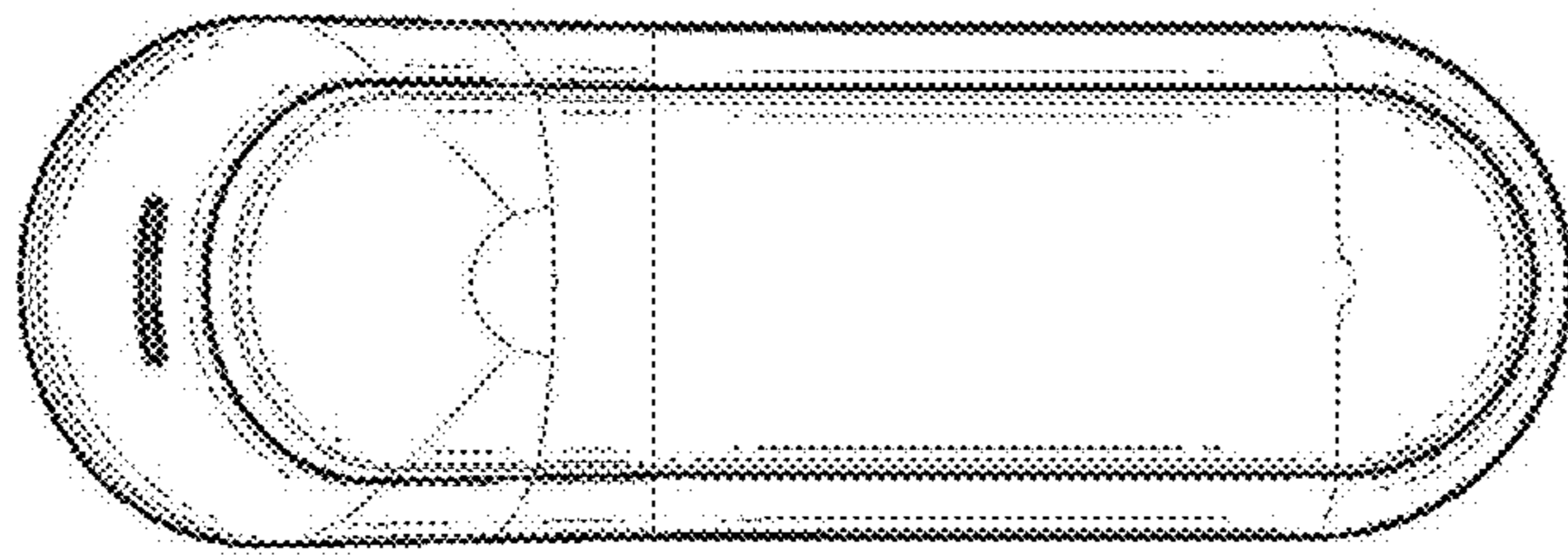


FIG. 6

© Holokit, Inc.

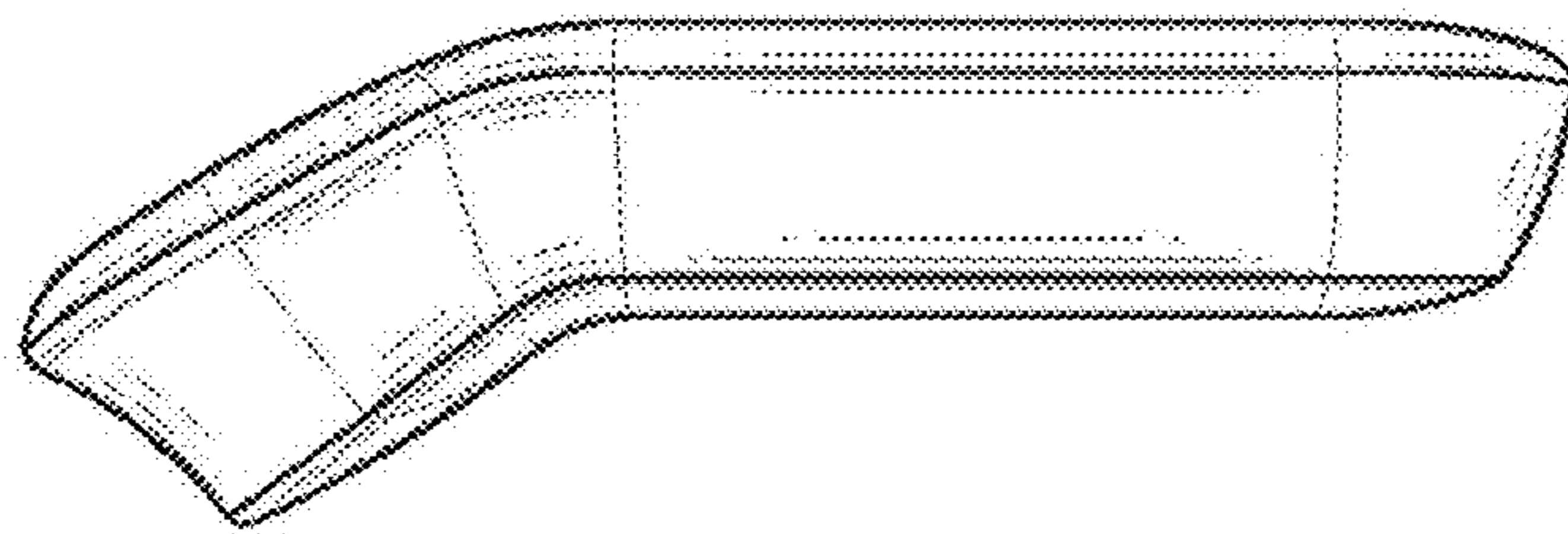


FIG. 7

© Holokit, Inc.

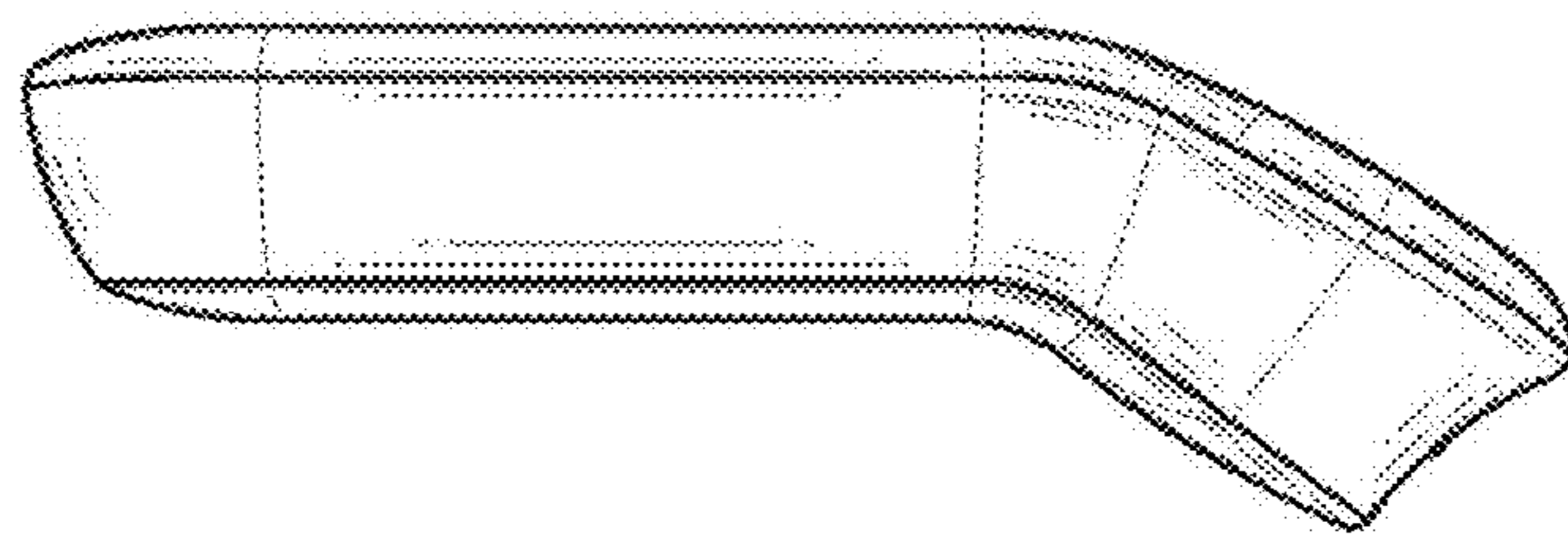


FIG. 8

© Holokit, Inc.

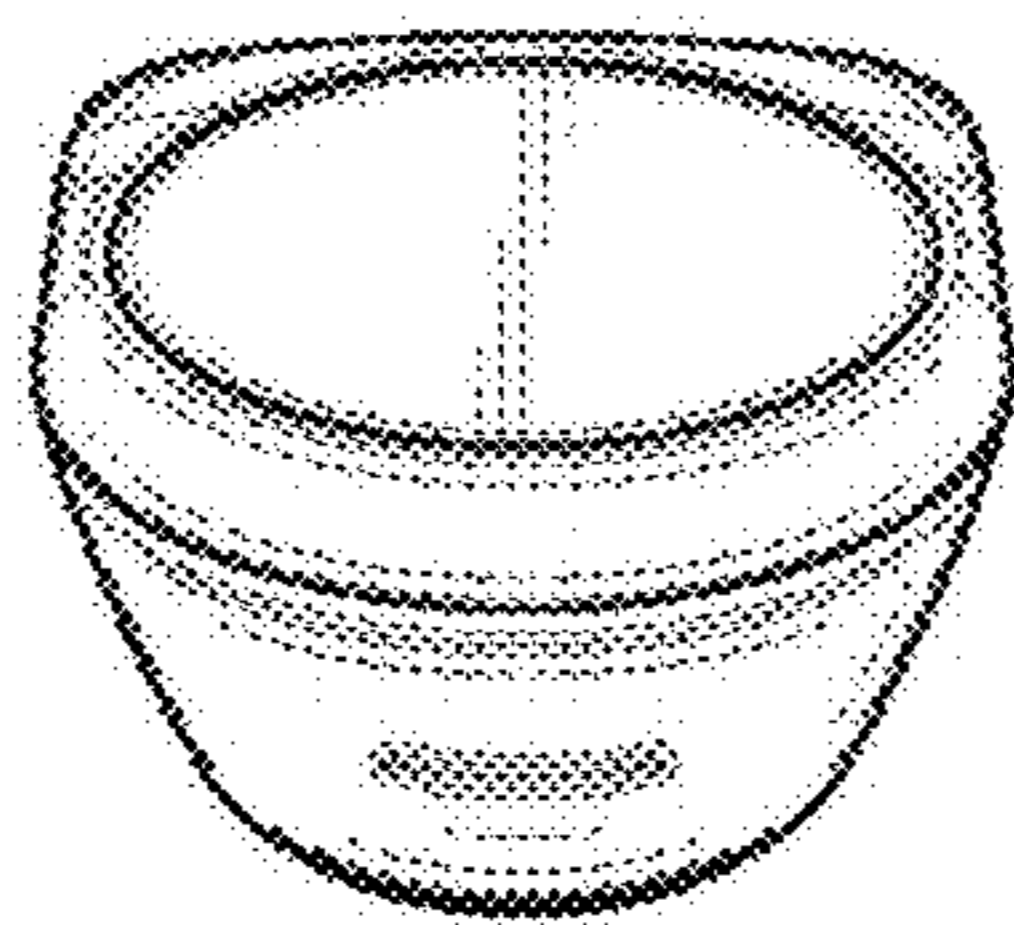


FIG. 9

© Holokit, Inc.

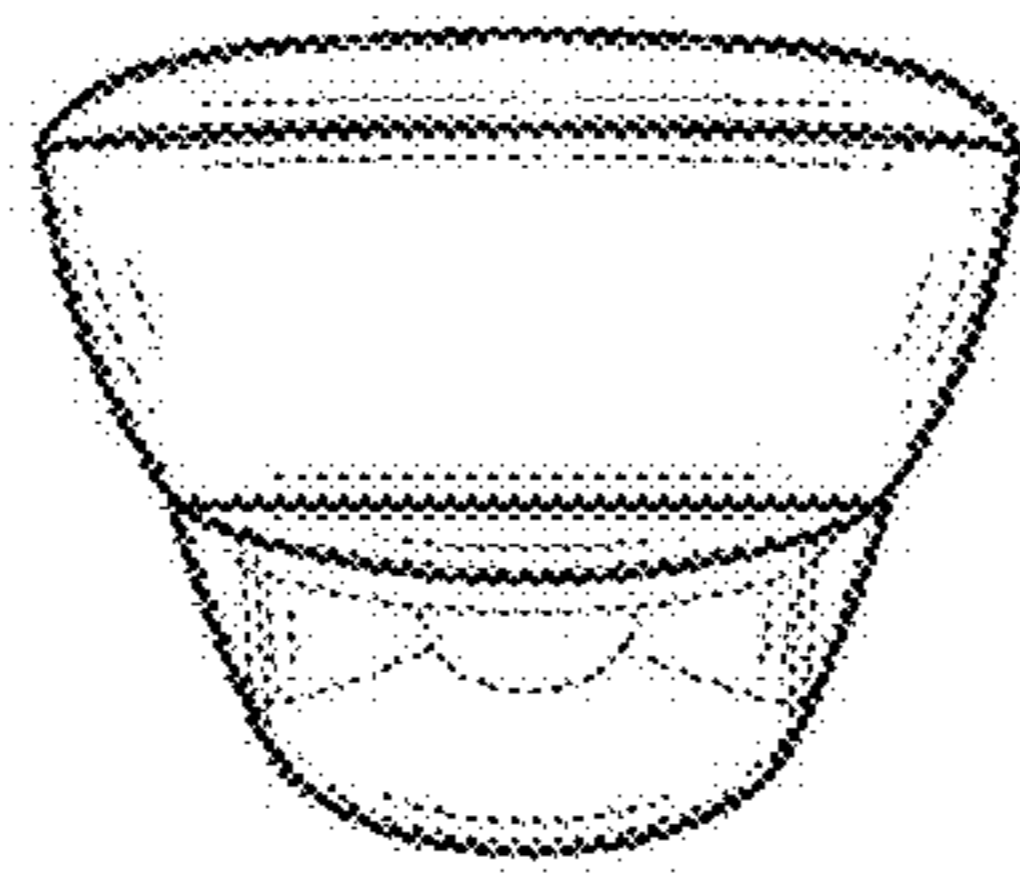


FIG. 10

© Holokit, Inc.