



US00D902925S

(12) **United States Design Patent**
Li et al.

(10) **Patent No.:** **US D902,925 S**

(45) **Date of Patent:** **** *Nov. 24, 2020**

(54) **BUILDING CONTROLLER**

D659,652 S * 5/2012 Wong D13/162.1
D678,084 S 3/2013 Beland et al.
D705,223 S 5/2014 Akana et al.

(71) Applicant: **Honeywell International Inc.**, Morris Plains, NJ (US)

(Continued)

(72) Inventors: **Peilin Li**, Shanghai (CN); **Sandesh Devaraja**, Bengaluru (IN); **Ke Zhang**, Beijing (CN)

OTHER PUBLICATIONS

JACE 8000 Controller; before Jan. 1, 2017; 6 pgs.; https://www.google.com/search?q=Honeywell+International+building+controller+before%3A2017-01-01&tbm=isch&ved=2ahUKEwj70K6EsZDoAhWJBN8KHbFPB1sQ2-cCegQIABAA&oq=Honeywell+International+building+controller+before%3A2017-01-01&gs_l=img.3...378229.396120..397891...6.*

(Continued)

(*) Notice: This patent is subject to a terminal disclaimer.

Primary Examiner — Selina Sikder

(**) Term: **15 Years**

(74) *Attorney, Agent, or Firm* — Seager Tufte & Wickhem LLP

(21) Appl. No.: **29/712,576**

(22) Filed: **Nov. 8, 2019**

(57) **CLAIM**

(51) **LOC (12) Cl.** **14-02**

The ornamental design for a building controller, as shown and described.

(52) **U.S. Cl.**

USPC **D14/358**; D13/162.1

(58) **Field of Classification Search**

USPC D13/162, 162.1, 184; D10/49, 50; D14/240, 358

CPC G06F 1/181; G05B 11/01; G05B 15/02; G08C 17/00; G08C 17/02; H01Q 1/007; H04W 88/005; H04W 88/02; H04W 88/08; H04W 88/085; H04W 88/10; H04W 88/12; H04W 88/14; H04W 88/16; H02J 7/0042; H02J 7/0044; H02J 7/0068

See application file for complete search history.

DESCRIPTION

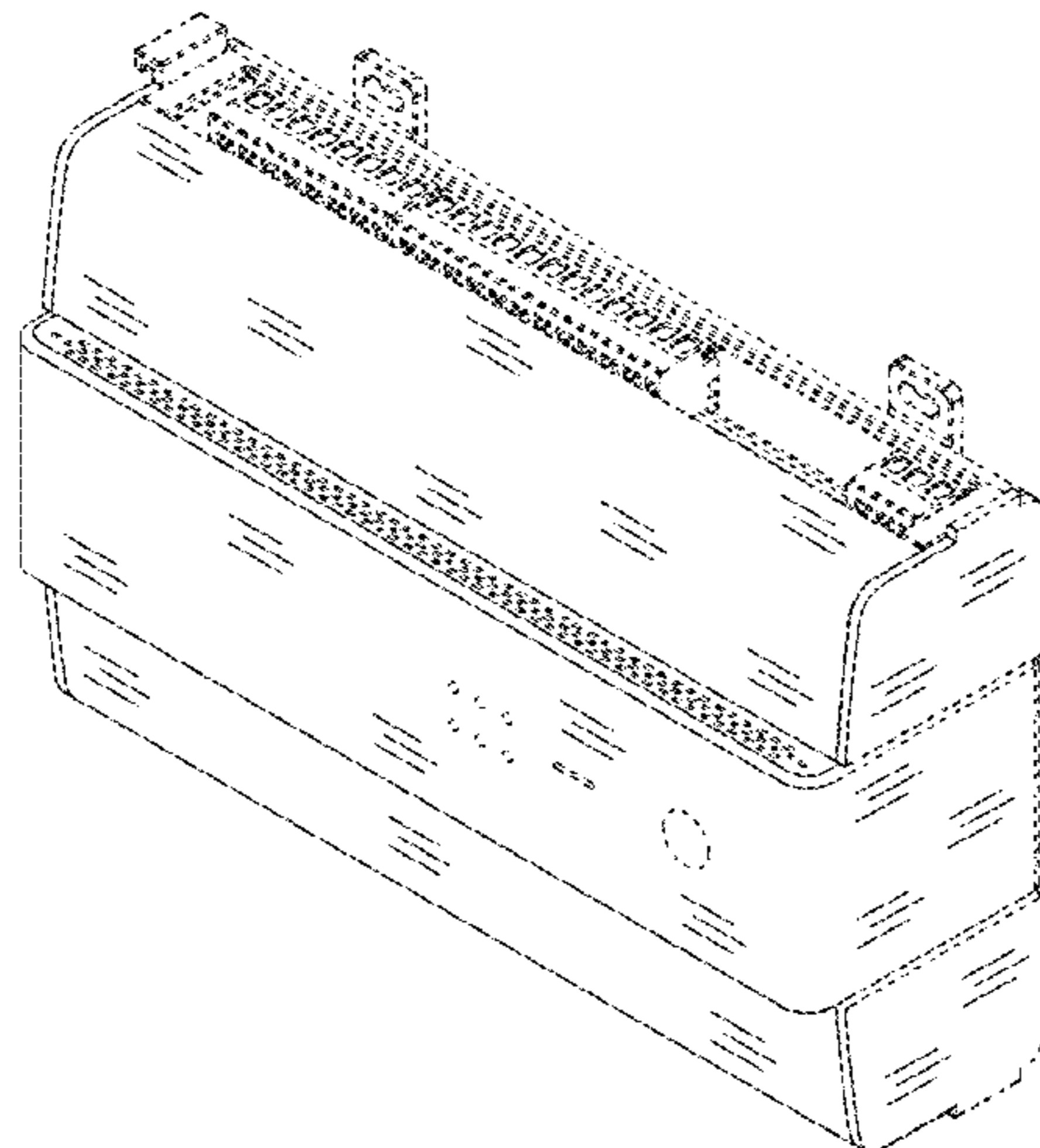
FIG. 1 is a perspective view of a building controller; FIG. 2 is a front elevation view of the building controller of FIG. 1; FIG. 3 is a top plan view of the building controller of FIG. 1; FIG. 4 is a bottom plan view of the building controller of FIG. 1; FIG. 5 is a left side view of the building controller of FIG. 1; FIG. 6 is a right side view of the building controller of FIG. 1; and, FIG. 7 is a perspective view of the building controller of FIG. 1 with top and bottom covers removed. In the drawings, the claimed design is defined by the shaded surfaces; broken lines immediately adjacent shaded surfaces represent boundaries of the claim and form no part thereof;

(Continued)

(56) **References Cited**

U.S. PATENT DOCUMENTS

D400,180 S * 10/1998 Shimizu D13/162.1
D578,029 S 10/2008 Plewa
D596,963 S 7/2009 Novotny et al.
D596,964 S 7/2009 Wang et al.
D607,843 S 1/2010 Borax
D620,454 S * 7/2010 Lissola D13/164
D628,199 S 11/2010 Yukikado et al.



all other broken lines depict unclaimed environmental subject matter and form no part of the claim.

D828,816 S	9/2018	Spors et al.	
D865,731 S *	11/2019	Sun	D14/240
D873,269 S *	1/2020	Hu	D14/358

1 Claim, 7 Drawing Sheets

OTHER PUBLICATIONS

(56)

References Cited

U.S. PATENT DOCUMENTS

D720,633 S	1/2015	Novotny et al.	
D735,667 S	8/2015	Mielnik et al.	
D758,365 S *	6/2016	Shimano	D14/358
D762,842 S	8/2016	Kokeny et al.	
D765,031 S	8/2016	Mielnik et al.	
D768,585 S *	10/2016	Moore	D13/184
D774,005 S	12/2016	Ye et al.	
D792,353 S *	7/2017	Yoshida	D13/162
D793,967 S *	8/2017	Leeland	D10/50
D815,606 S *	4/2018	Nada	D13/162.1

“Building Controller—Google Search,” Google, 34 pages, accessed Dec. 28, 2018.

“Building Controller Honeywell—Google Search,” Google, 34 pages, accessed Dec. 28, 2018.

“Advantech Introduces New Direct Digital Controller with Integrated BACNet Router-BAS-3500BC,” Advantech, 1 page, Dec. 2012.

“Advantech Launches Full-Featured Building Automation Controller Series,” Design World Staff, 9 pages, Jan. 28, 2009.

U.S. Appl. No. 29/662,117, “Building Controller,” filed Sep. 1, 2018.

U.S. Appl. No. 29/662,118, “User Interface Module and Mounting Base for a Building Control System,” filed Sep. 1, 2018.

* cited by examiner

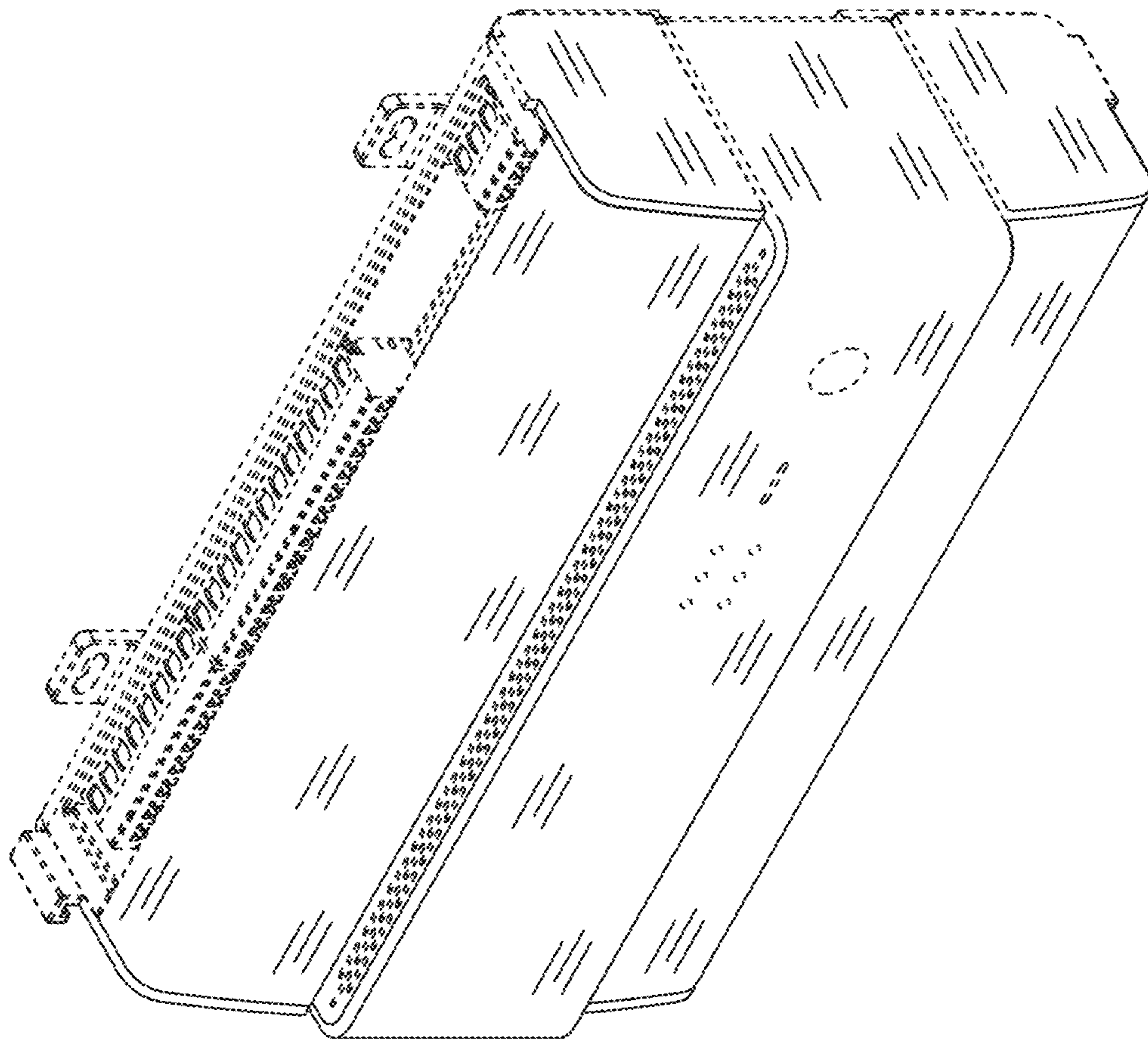


FIG. 1

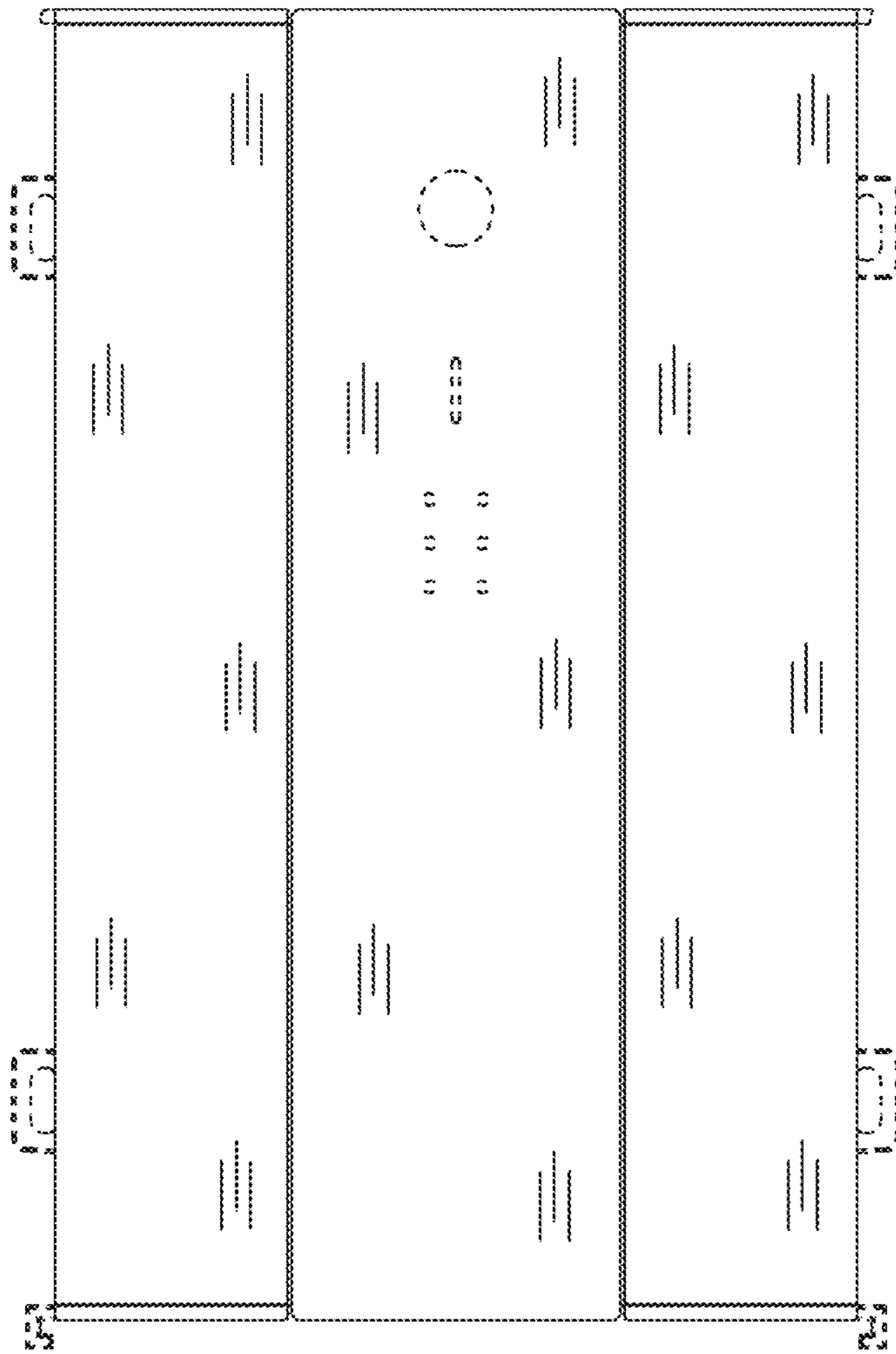


FIG. 2

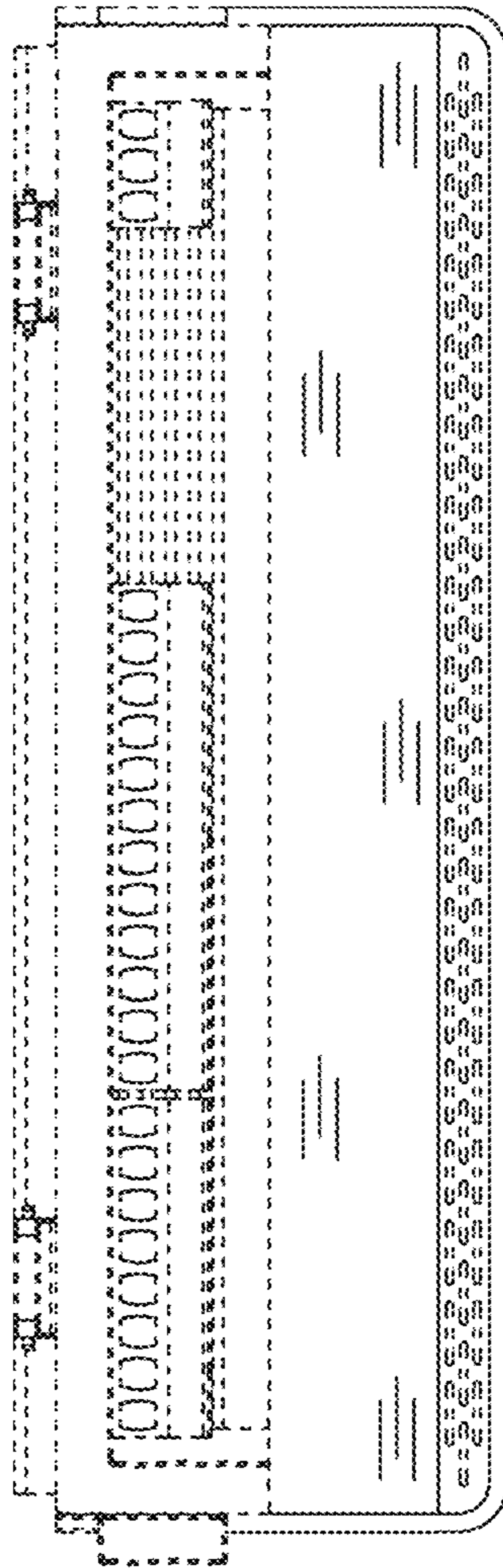


FIG. 3

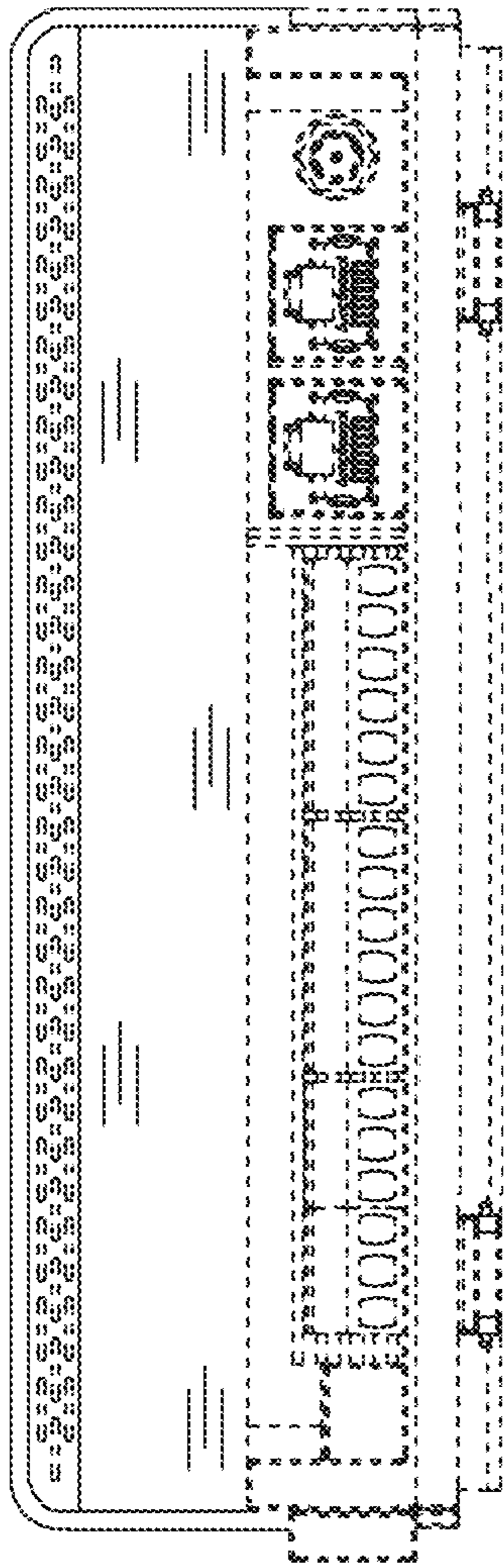
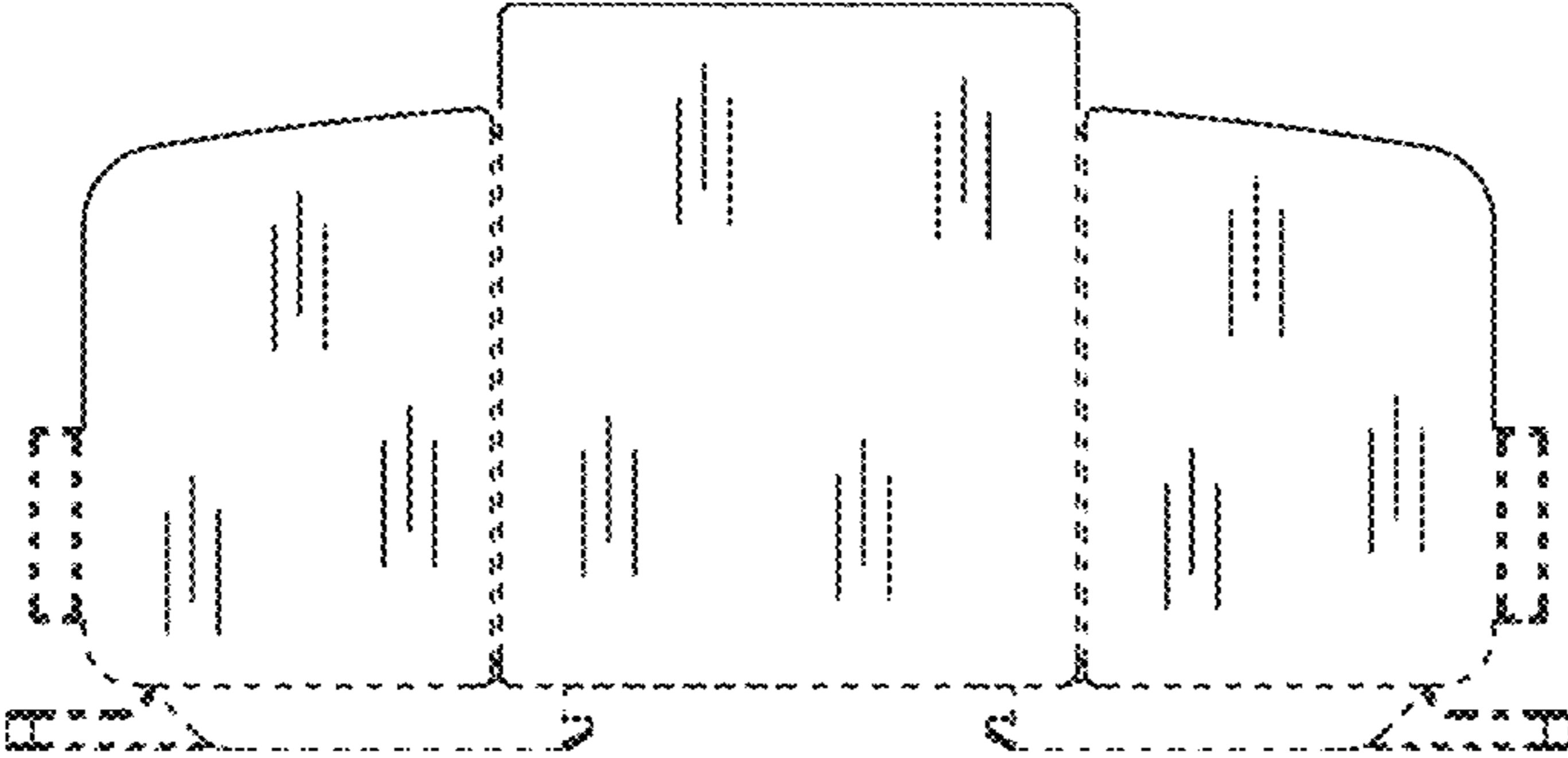


FIG. 4

FIG. 5



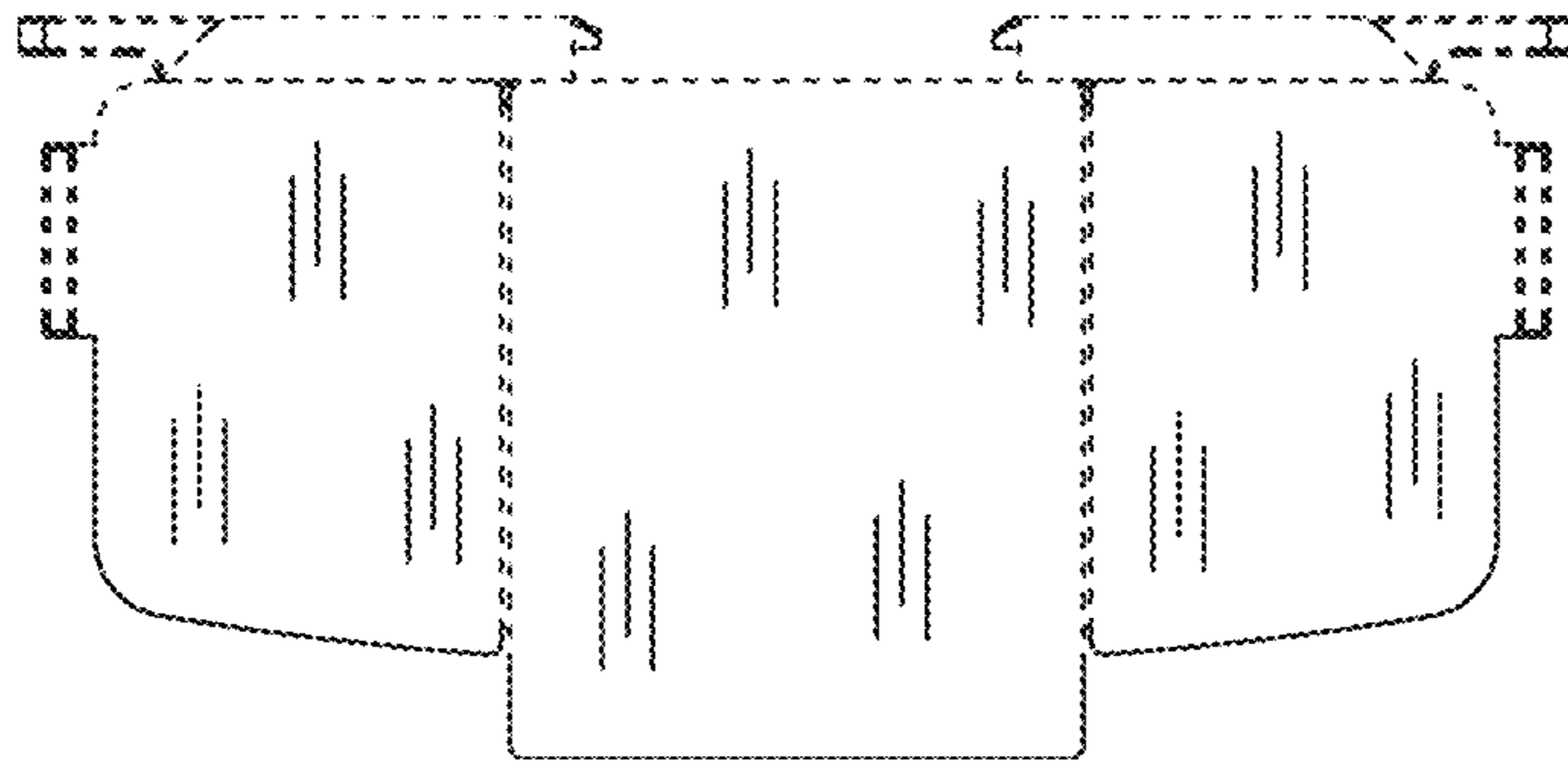


FIG. 6

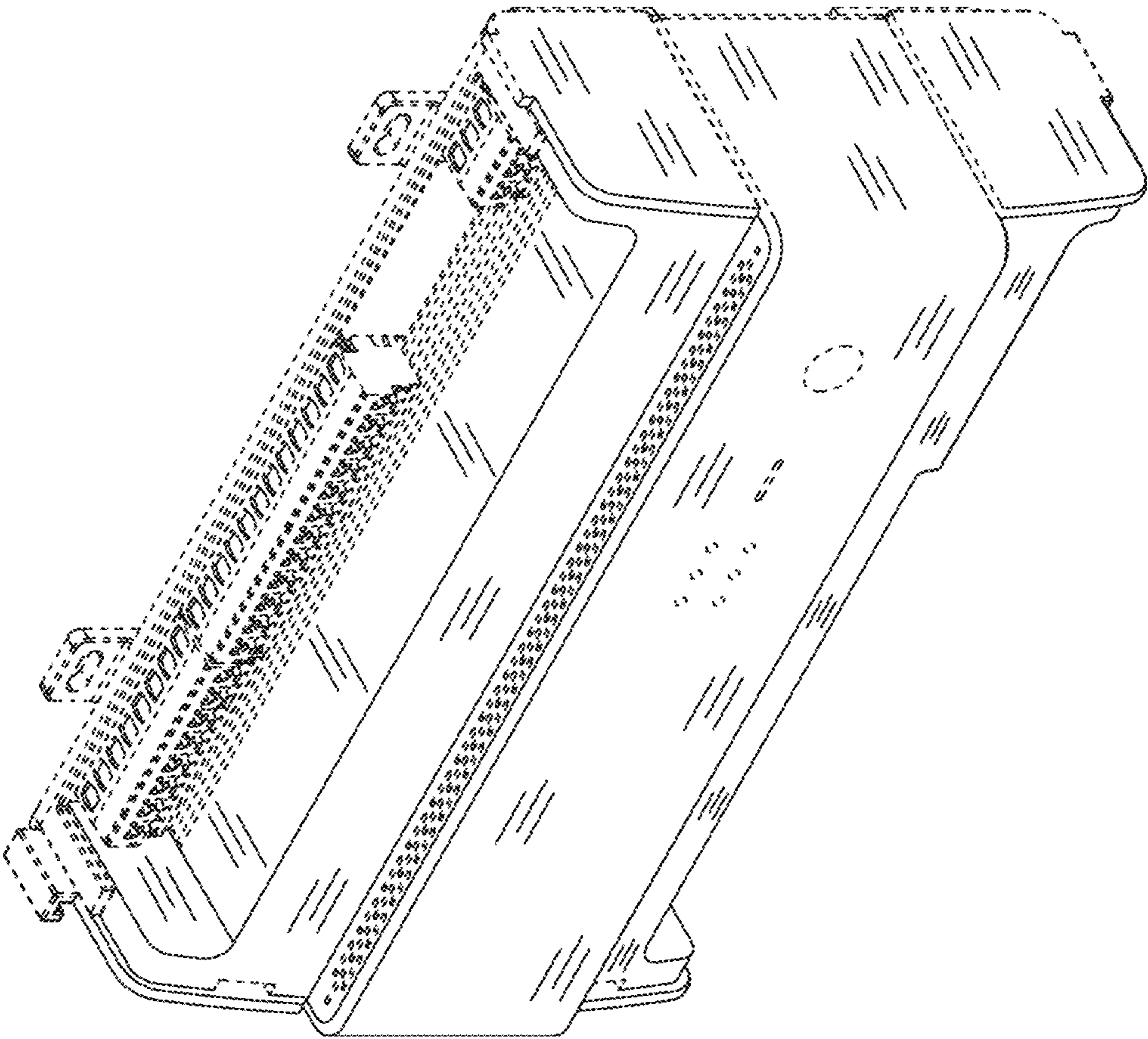


FIG. 7