



US00D902924S

(12) **United States Design Patent** (10) **Patent No.:** **US D902,924 S**  
**Behar et al.** (45) **Date of Patent:** **\*\* Nov. 24, 2020**

(54) **DATA STORAGE DEVICE**

FOREIGN PATENT DOCUMENTS

(71) Applicant: **Western Digital Technologies, Inc.**,  
San Jose, CA (US)

CN 303931836 \* 11/2016  
CN 303931837 \* 11/2016

(72) Inventors: **Yves Behar**, San Francisco, CA (US);  
**William Stuart**, San Francisco, CA  
(US); **Mirko Ihrig**, Hamburg (DE);  
**Jueun Choi**, Seoul (KR); **Steven**  
**Tzu-Yen Peng**, Irvine, CA (US); **Mark**  
**F. Sterzick**, Torrance, CA (US);  
**Gregory A. Vanderpol**, Long Beach,  
CA (US)

OTHER PUBLICATIONS

My Passport Portable External Hard Drive 1TB, WD, walmart.com,  
author not listed, posted Jul. 29, 2019 per wayback machine © 2019  
Walmart, online, site visited Oct. 7, 2019. Available at URL:  
<https://www.walmart.com/ip/WD-1TB-My-Passport-Portable-External-Hard-Drive-Black-WDBYFT0010BBK-WESN/> . . . (Year: 2019).\*

(Continued)

(73) Assignee: **Western Digital Technologies, Inc.**,  
San Jose, CA (US)

*Primary Examiner* — Marissa J Cash  
*Assistant Examiner* — Altaira J Swangin

(\*\*) Term: **15 Years**

(74) *Attorney, Agent, or Firm* — Brinks Gilson & Lione

(21) Appl. No.: **29/629,706**

(57) **CLAIM**

(22) Filed: **Dec. 14, 2017**

The ornamental design for a data storage device, as shown  
and described.

**Related U.S. Application Data**

**DESCRIPTION**

(62) Division of application No. 29/564,690, filed on May  
14, 2016, now Pat. No. Des. 814,460.

FIG. 1 is a top back right side perspective view of a first  
embodiment of a data storage device showing the new  
design;

(30) **Foreign Application Priority Data**

May 14, 2016 (CN) ..... 2016 3 0179770

(51) **LOC (12) Cl.** ..... **14-02**

(52) **U.S. Cl.**  
USPC ..... **D14/349**

(58) **Field of Classification Search**  
USPC ..... D14/349, 353–355, 359, 440–441,  
D14/444–446; D9/424–427, 429–430,  
(Continued)

FIG. 2 is a top view thereof;  
FIG. 3 is a bottom view thereof;  
FIG. 4 is a left side view thereof;  
FIG. 5 is a right side view thereof;  
FIG. 6 is a back view thereof; and  
FIG. 7 is a front view thereof.

(56) **References Cited**

**U.S. PATENT DOCUMENTS**

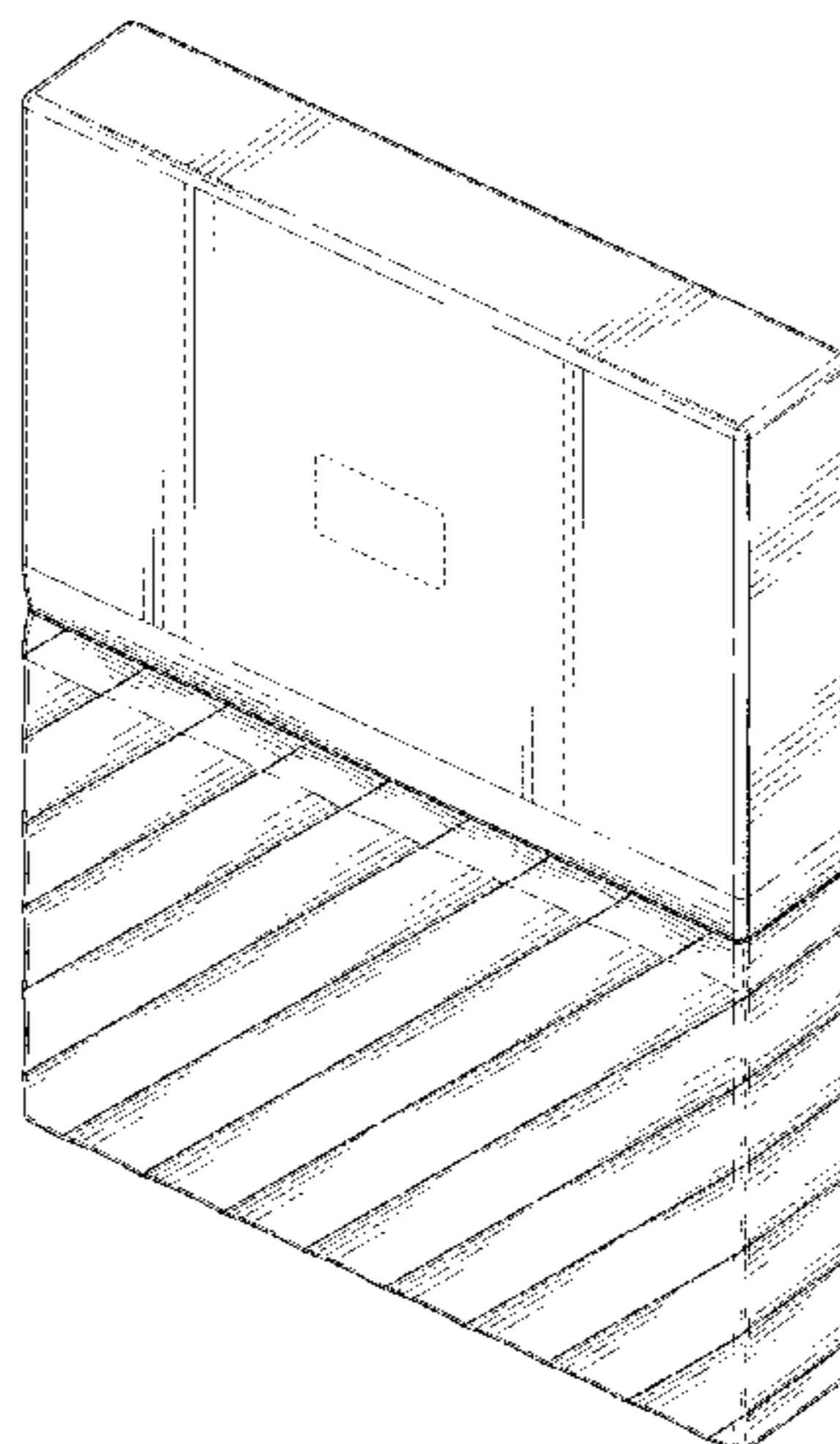
D118,237 S \* 12/1939 Hersey ..... D7/591  
D153,687 S \* 5/1949 Hoag ..... D27/134  
(Continued)

FIG. 8 is a top back right side perspective view of a second  
embodiment of a data storage device showing the new  
design;

FIG. 9 is a top view thereof;  
FIG. 10 is a bottom view thereof;  
FIG. 11 is a left side view thereof;  
FIG. 12 is a right side view thereof;  
FIG. 13 is a back view thereof; and,  
FIG. 14 is a front view thereof.

The broken lines are used to illustrate portions of the data  
storage device which form no part of the claimed design. In

(Continued)



the second embodiment, the data storage device is shown with a symbolic break in its length. The appearance of any portion of the article between the break lines forms no part of the claimed design.

**1 Claim, 10 Drawing Sheets**

**(58) Field of Classification Search**

USPC ..... D9/432, 452-453, 904; 206/109, 587,  
206/706-707; D23/260, 370  
CPC ..... G11B 25/043; G06F 1/20; G06F 1/181  
See application file for complete search history.

**(56) References Cited**

U.S. PATENT DOCUMENTS

D154,978 S \* 8/1949 Baud ..... D9/432  
D230,993 S \* 3/1974 Warner ..... D14/210  
D237,779 S \* 11/1975 Lucas ..... D9/426  
3,922,065 A 11/1975 Schultz  
3,924,929 A 12/1975 Holmen et al.  
4,619,368 A \* 10/1986 Kappelt, Jr. .... H05K 13/0069  
206/449  
D313,225 S \* 12/1990 Chang ..... D14/351  
D317,445 S \* 6/1991 Sacherman ..... D14/353  
D329,283 S \* 9/1992 Maiellano, Jr. .... D23/353  
D336,075 S \* 6/1993 Wakefield ..... D14/353  
D342,238 S \* 12/1993 Tedham ..... D14/355  
D342,724 S \* 12/1993 Yurkonis ..... D14/353  
D358,135 S \* 5/1995 Chiodo ..... D14/354  
D367,850 S \* 3/1996 Esslinger ..... D14/355  
D370,211 S \* 5/1996 Lee ..... D14/349  
D370,475 S \* 6/1996 Alfonso ..... D14/445  
D381,974 S \* 8/1997 Alfonso ..... D14/445  
D384,042 S \* 9/1997 Antonczak ..... D14/354  
D393,420 S \* 4/1998 Hsu ..... D28/91  
D395,424 S 6/1998 Nakayama  
D396,697 S 8/1998 Jasinski et al.  
D404,029 S \* 1/1999 Fu ..... D14/446  
D405,007 S \* 2/1999 Naas, Sr. .... D27/189  
D418,308 S 1/2000 Lu  
D431,563 S \* 10/2000 Jean ..... D14/349  
D460,965 S 7/2002 O'Brien  
D486,479 S 2/2004 Chung  
6,741,467 B2 5/2004 Coglitore  
D500,501 S 1/2005 Davis  
D503,718 S \* 4/2005 Heinz ..... D14/444  
D537,820 S 3/2007 Hsu  
D541,274 S 4/2007 Wang  
D548,095 S \* 8/2007 McGuinness ..... D9/435  
D561,578 S \* 2/2008 Smith ..... D9/414  
D563,953 S 3/2008 Tosh et al.  
D563,994 S 3/2008 Liu  
D581,412 S 11/2008 Yang  
D595,279 S 6/2009 Chiba et al.  
D602,019 S 10/2009 Wang  
D602,934 S 10/2009 Cao  
D603,834 S 11/2009 Lyman et al.  
D618,368 S 6/2010 Jenkins et al.  
D622,713 S 8/2010 Chung et al.  
D626,835 S \* 11/2010 Zutler ..... D9/432  
D634,557 S \* 3/2011 Lewis ..... D6/300  
D638,291 S \* 5/2011 England ..... D9/432  
D647,089 S 10/2011 Chen et al.  
D648,726 S \* 11/2011 Behar ..... D14/435.1  
D653,954 S \* 2/2012 Arad ..... D9/435  
D654,076 S 2/2012 Wong et al.  
8,394,485 B2 3/2013 Benson et al.

D685,433 S \* 7/2013 De Iuliis ..... D20/15  
D689,050 S 9/2013 Chong  
D695,289 S 12/2013 Yamazaki  
D697,402 S \* 1/2014 Rosi ..... D7/602  
D700,174 S 2/2014 Li  
D711,891 S 8/2014 Emami et al.  
D717,297 S 11/2014 Koberling et al.  
D728,539 S 5/2015 Dubrule et al.  
D729,658 S \* 5/2015 Behar ..... D10/70  
D730,321 S 5/2015 Behar et al.  
D741,304 S \* 10/2015 Cowles ..... D14/240  
D741,848 S \* 10/2015 Kuo ..... D14/308  
D752,971 S \* 4/2016 Vu ..... D9/429  
D764,452 S \* 8/2016 Erdl ..... D14/308  
D765,657 S 9/2016 Lucaci et al.  
D768,625 S 10/2016 Lucaci et al.  
D778,280 S \* 2/2017 Vanderpol ..... D14/363  
D783,583 S \* 4/2017 Moon ..... D14/240  
D788,097 S \* 5/2017 Koike ..... D13/184  
D790,539 S 6/2017 Lee  
D798,859 S 10/2017 Jasinski et al.  
D800,138 S 10/2017 Brown et al.  
D801,965 S 11/2017 Jasinski et al.  
D806,089 S 12/2017 Shim  
D811,391 S \* 2/2018 Behar ..... D14/349  
D814,460 S \* 4/2018 Behar ..... D14/349  
D816,659 S 5/2018 Latto et al.  
D816,669 S \* 5/2018 Jasinski ..... D14/349  
D817,961 S 5/2018 Han et al.  
D817,963 S \* 5/2018 Ravat ..... D14/444  
D827,649 S \* 9/2018 Shim ..... D14/435.1  
D829,697 S \* 10/2018 Yaegashi ..... D14/240  
D831,669 S 10/2018 Shim  
D831,670 S 10/2018 Shim  
D835,615 S \* 12/2018 Lim ..... D14/240  
D837,073 S \* 1/2019 Behar ..... D10/70  
D837,207 S \* 1/2019 Widiaman ..... D14/349  
D842,297 S 3/2019 Pennington, Jr. et al.  
D848,441 S \* 5/2019 Ferren ..... D14/440  
D849,001 S \* 5/2019 Nokuo ..... D14/355  
D852,160 S \* 6/2019 Chen ..... D14/168  
D856,174 S \* 8/2019 Behar ..... D10/70  
D868,576 S \* 12/2019 Rosebrook ..... D9/418  
D881,186 S \* 4/2020 Peng ..... D14/349  
2003/0122457 A1 7/2003 Diaz et al.  
2011/0069436 A1 3/2011 Jian  
2014/0299507 A1 \* 10/2014 Chang ..... B65D 5/68  
206/707  
2018/0110284 A1 4/2018 Granger et al.  
2018/0110291 A1 4/2018 Granger et al.  
2018/0132565 A1 5/2018 Granger et al.  
2018/0329457 A1 \* 11/2018 Fairchild ..... G11B 33/08  
2019/0212791 A1 \* 7/2019 Zeng ..... G06F 1/181

OTHER PUBLICATIONS

U.S. Appl. No. 29/564,687, filed May 14, 2016, Behar, et al.  
U.S. Appl. No. 29/564,690, filed May 14, 2016, Behar, et al.  
U.S. Appl. No. 29/599,985, filed Apr. 7, 2017, Peng, et al.  
My Cloud Home 8TB, WD, bhphotovideo.com, posted by William Min on Jun. 2, 2019 per wayback machine © 2000-2019 B & H Foto & Electronics Corp., online, site visited Oct. 7, 2019. Available at URL: <https://www.bhphotovideo.com/explora/computers/tips-and-solutions/share-your-external-hard> . . . (Year: 2019).  
Revolt Game PC, iBuyPower, hothardware.com, posted by Seth Colaner on Mar. 6, 2013 © 1999-2019, online, site visited Oct. 3, 2019. Available at URL: <https://hothardware.com/reviews/ibuypower-revolt-sff-gaming-system-review?page=2> (Year: 2013).  
U.S. Appl. No. 29/629,700, filed Dec. 14, 2017, Behar et al.

\* cited by examiner

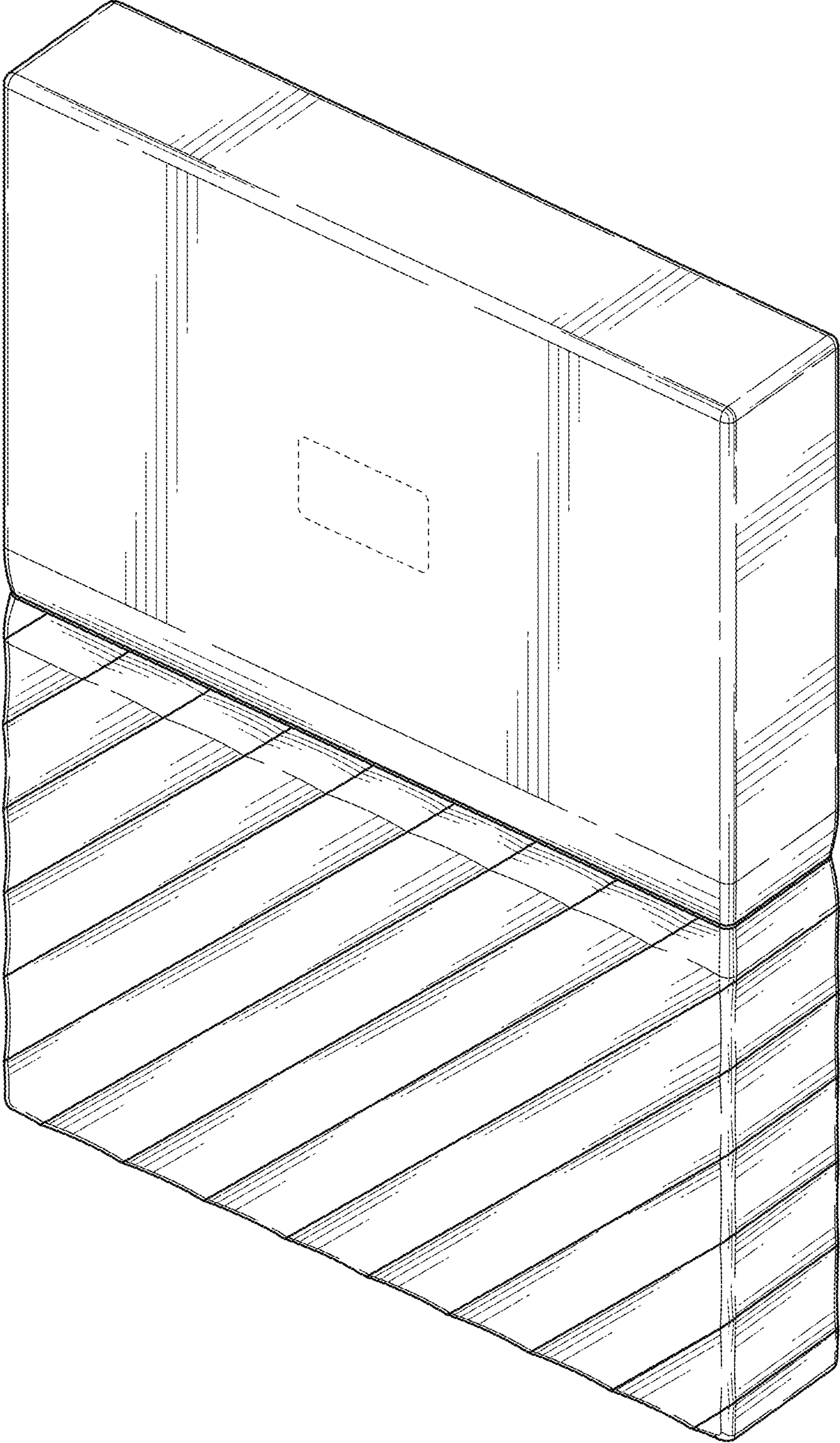


FIG. 1

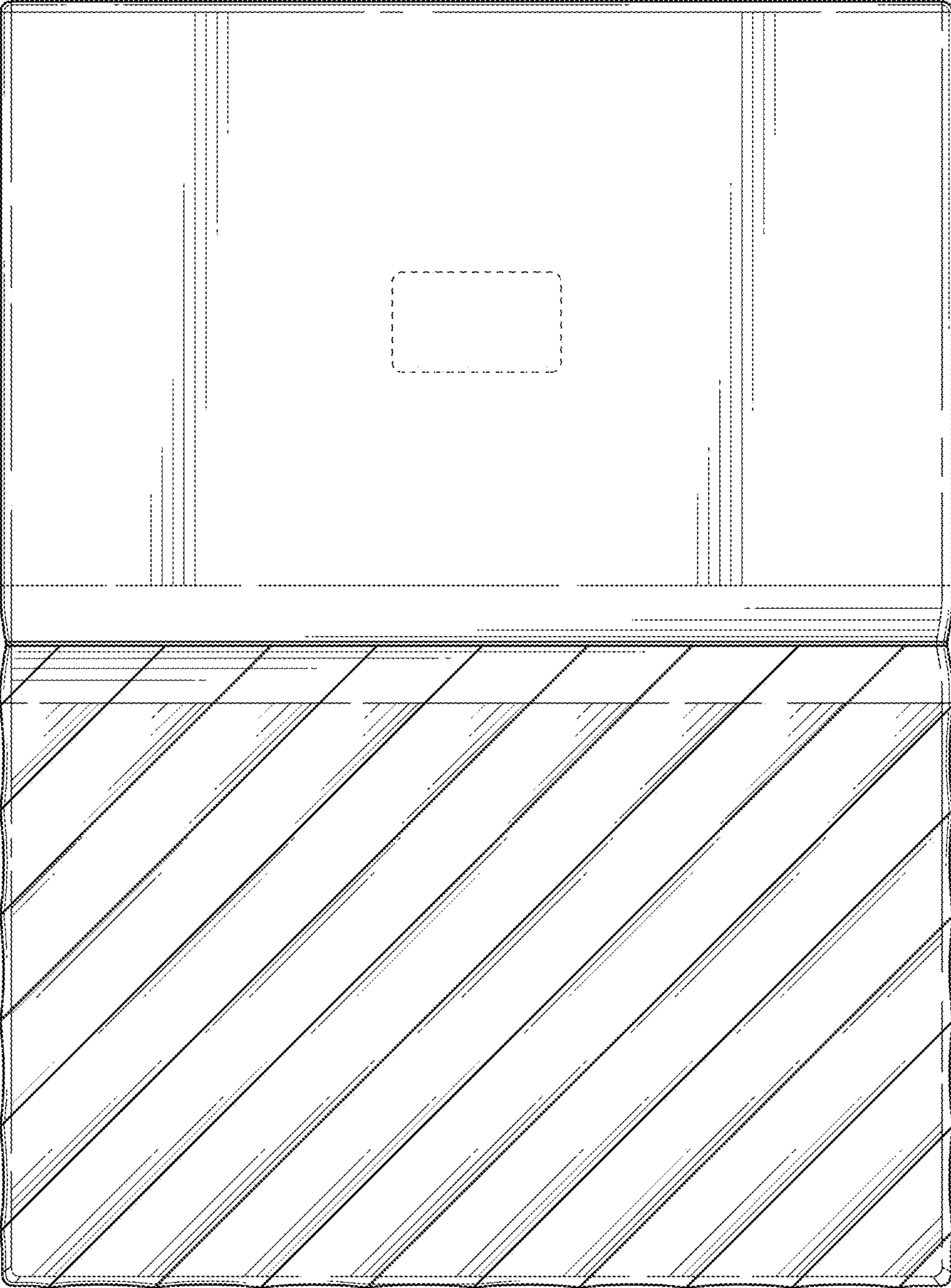


FIG. 2

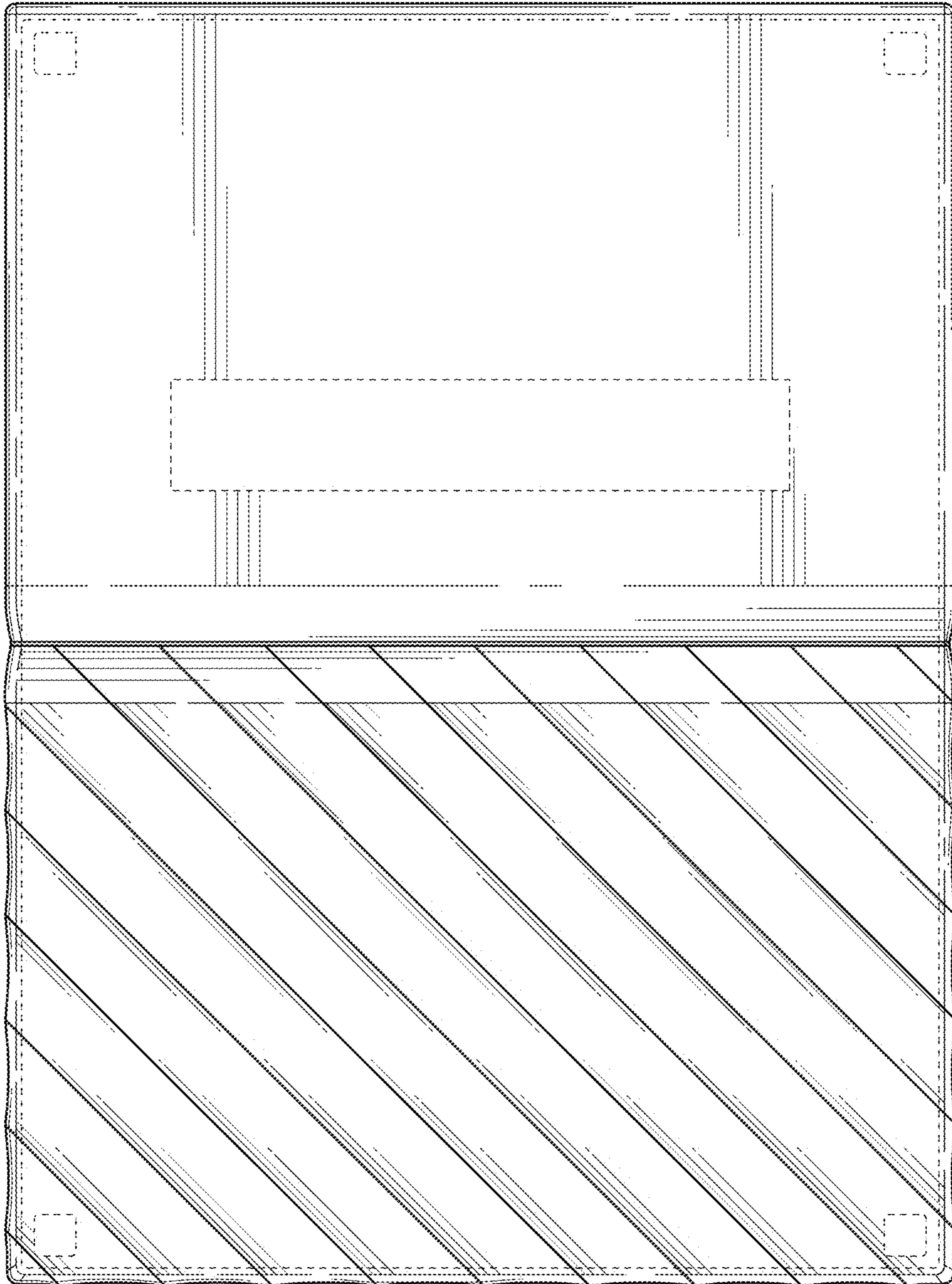


FIG. 3

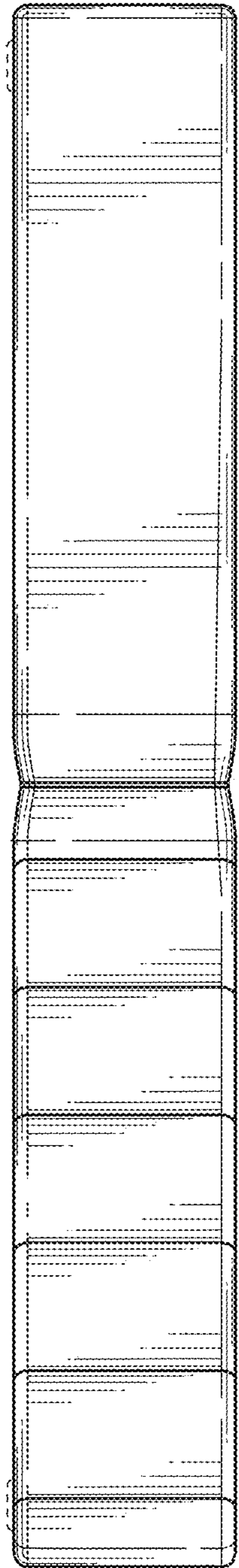


FIG. 4

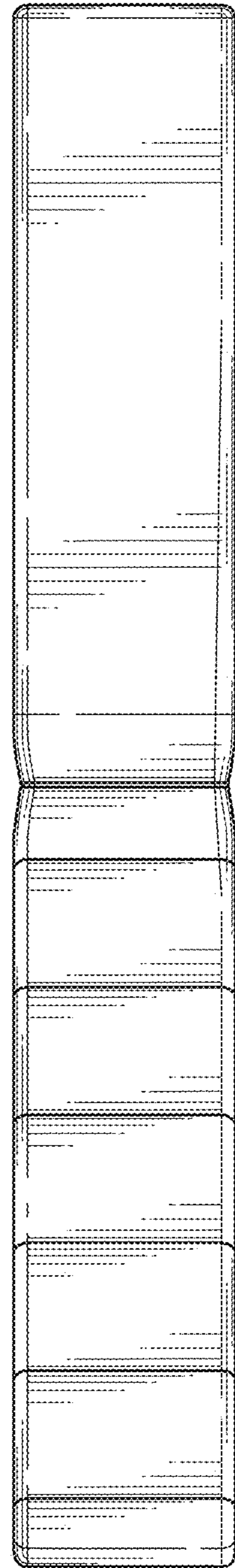


FIG. 5

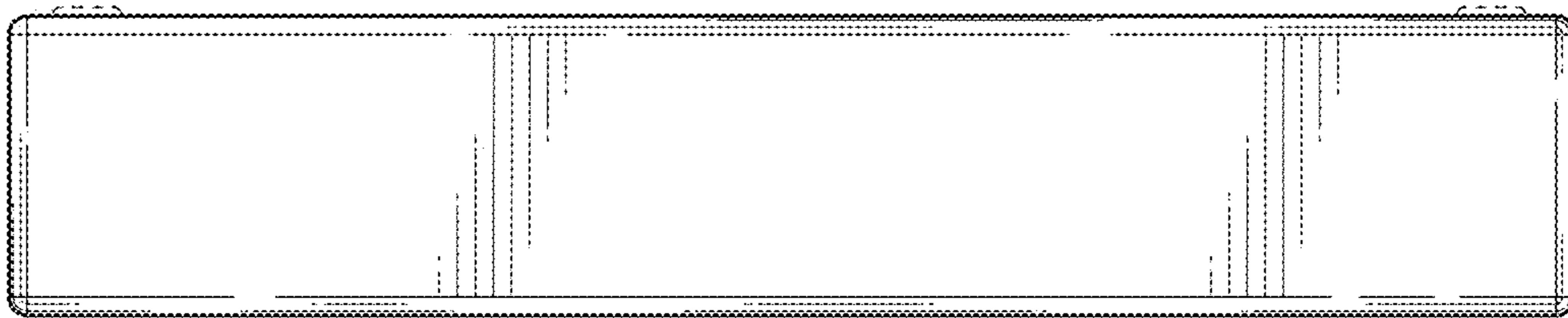


FIG. 6

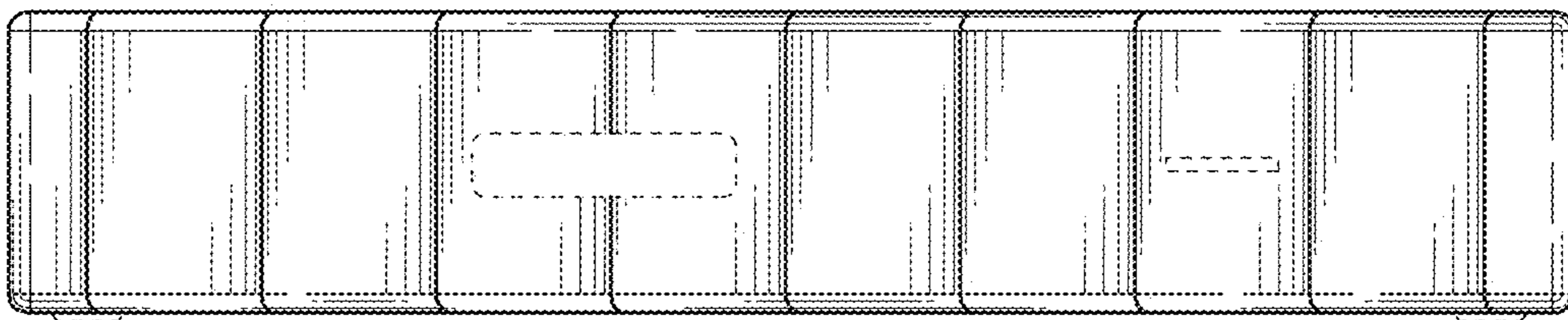


FIG. 7

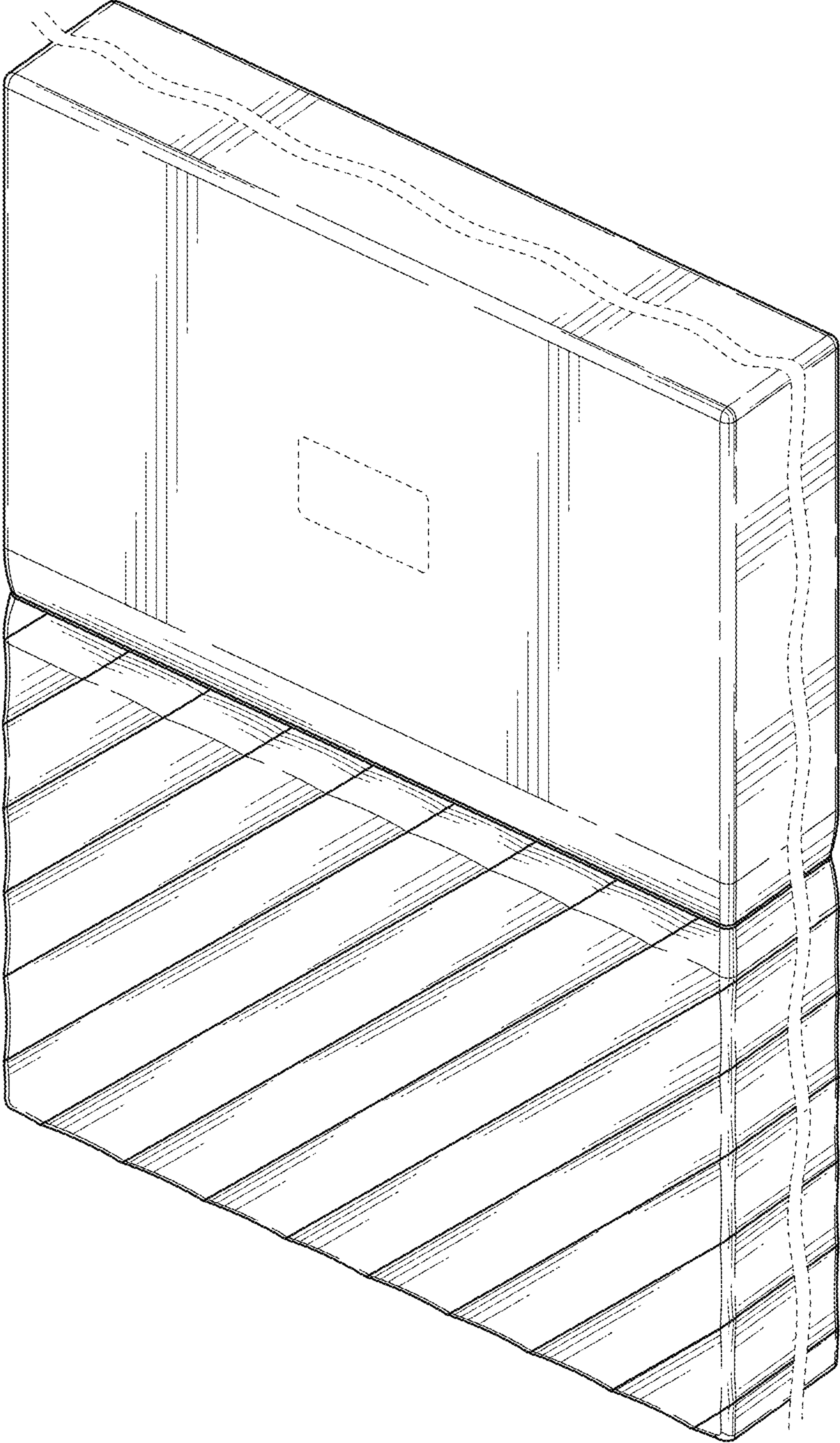


FIG. 8



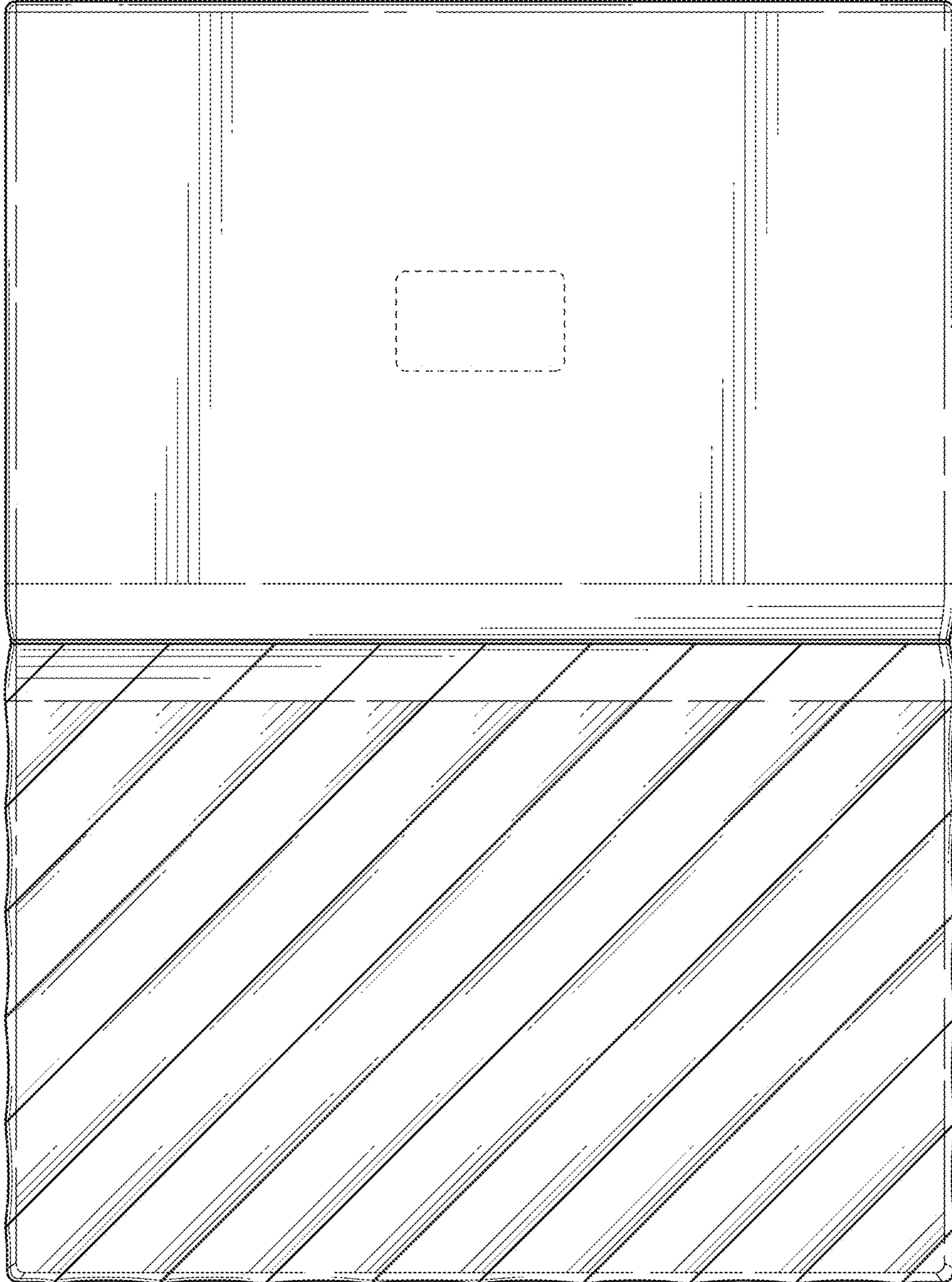


FIG. 9

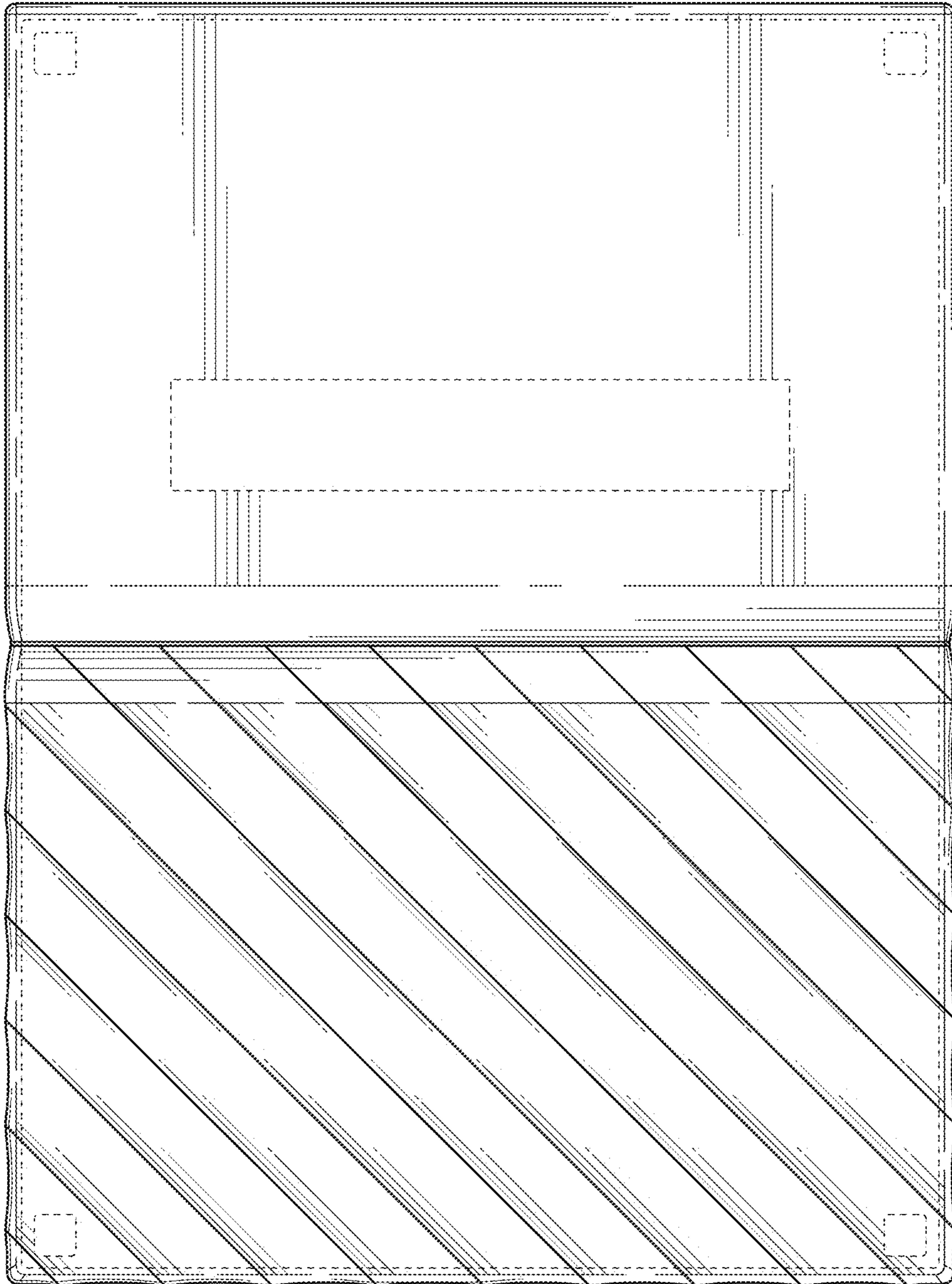


FIG. 10

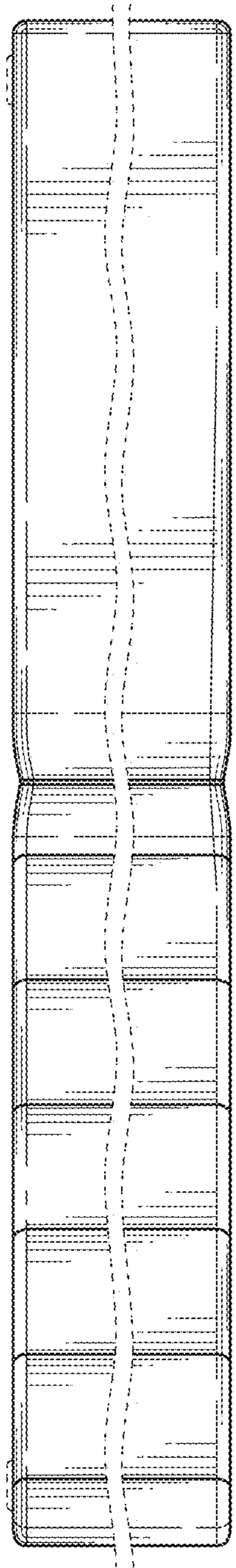


FIG. 11

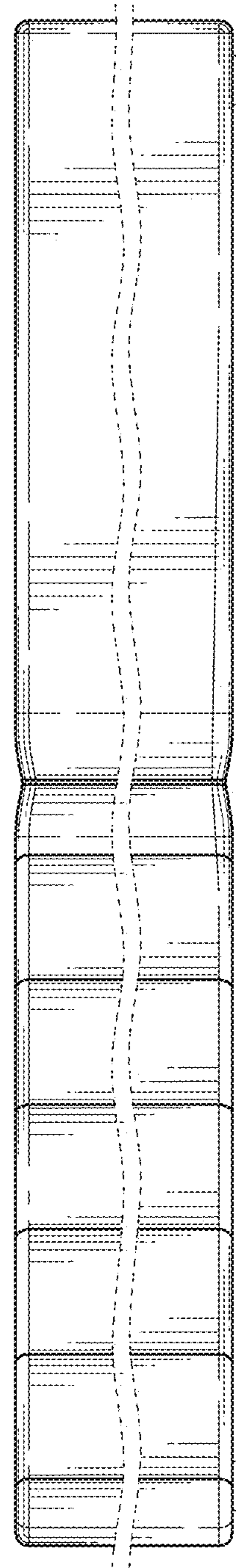


FIG. 12

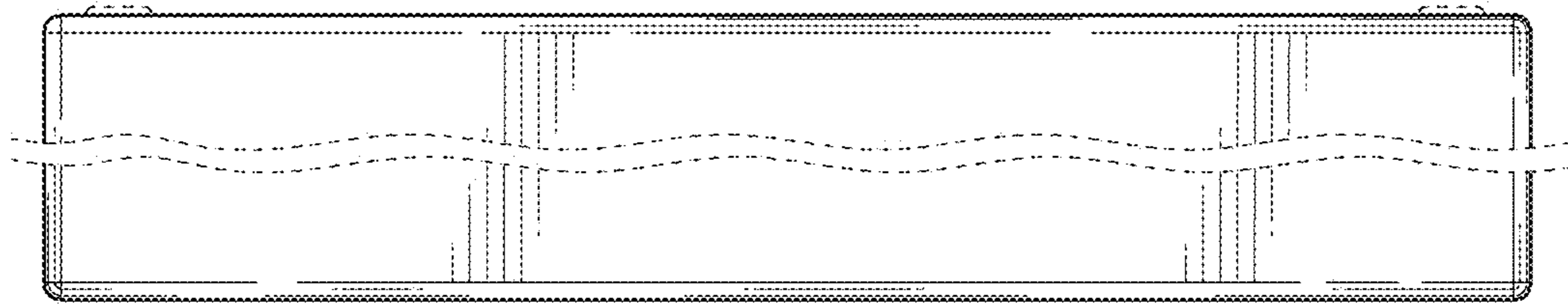


FIG. 13

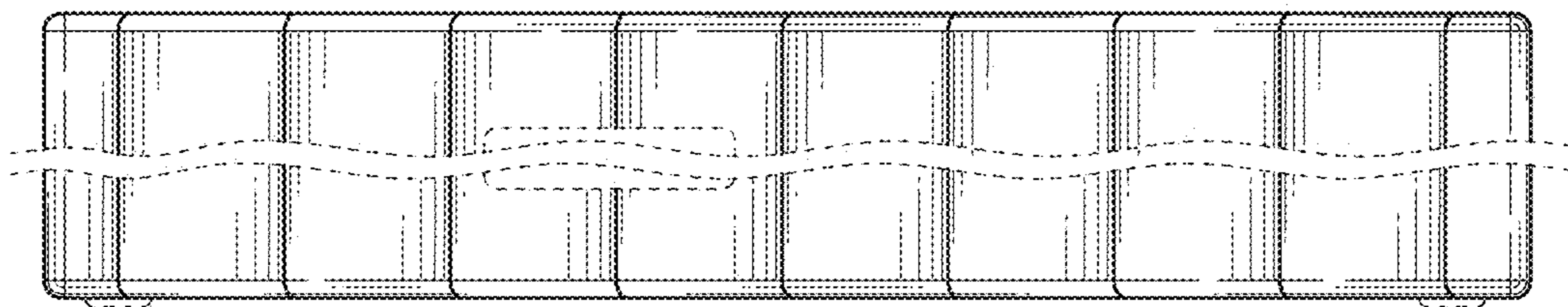


FIG. 14