



US00D902922S

(12) **United States Design Patent**
Riot et al.

(10) **Patent No.:** **US D902,922 S**

(45) **Date of Patent:** **** Nov. 24, 2020**

(54) **SMART WATCH**

FOREIGN PATENT DOCUMENTS

(71) Applicant: **Fitbit, Inc.**, San Francisco, CA (US)

BR 102015026465-8 A2 5/2017
CN 302930198 S 9/2014

(72) Inventors: **Benjamin Patrick Robert Jean Riot**, San Francisco, CA (US); **Cédric Eric Jean-Edouard Bernard**, San Francisco, CA (US); **Chadwick John Harber**, San Francisco, CA (US); **Brian Dennis Paschke**, San Francisco, CA (US); **Derek Jenchia Loh**, San Francisco, CA (US); **Eric John Fairbanks**, Peasant Hill, CA (US); **Mark Woolhiser Huang**, San Francisco, CA (US); **Jonah Avram Becker**, San Francisco, CA (US)

(Continued)

OTHER PUBLICATIONS

Fitbit Versa 3, Inspire 2 & Sense renders leak suggesting imminent launch, posted Aug. 19, 2020, [retrieved Sep. 11, 2020]. Retrieved from Internet, <URL: <https://www.gizmochina.com/2020/08/19/fitbit-versa-3-inspire-2-sense-renders-leak-showing-imminent-launch/>>.*

(Continued)

Primary Examiner — Michelle E. Wilson

Assistant Examiner — Kristin E Reed

(73) Assignee: **Fitbit, Inc.**, San Francisco, CA (US)

(74) *Attorney, Agent, or Firm* — Polson Intellectual Property Law, PC; Margaret Polson

(**) Term: **15 Years**

(21) Appl. No.: **29/729,177**

(57) **CLAIM**

(22) Filed: **Mar. 24, 2020**

The ornamental design for a smart watch, as shown and described.

Related U.S. Application Data

DESCRIPTION

(63) Continuation of application No. 29/706,974, filed on Sep. 25, 2019.

(51) **LOC (12) Cl.** **14-02**

(52) **U.S. Cl.**

USPC **D14/344**; D11/26

(58) **Field of Classification Search**

USPC ... D14/138 R, 144, 341, 344, 358, 388, 218, D14/485-495; D10/30-39, 70, 98;

(Continued)

FIG. 1 is a top, right side isometric view of our new design for a body of a smart watch.

FIG. 2 is a bottom, left side isometric view of FIG. 1.

FIG. 3 is a front side elevation view of FIG. 1

FIG. 4 is a back side elevation view of FIG. 1.

FIG. 5 is a left side elevation view of FIG. 1.

FIG. 6 is a right side elevation view of FIG. 1.

FIG. 7 is a top side plan view of FIG. 1; and,

FIG. 8 is a bottom side plan view of FIG. 1.

The broken lines in the drawing depict portions of the smart watch that form no part of the claimed design.

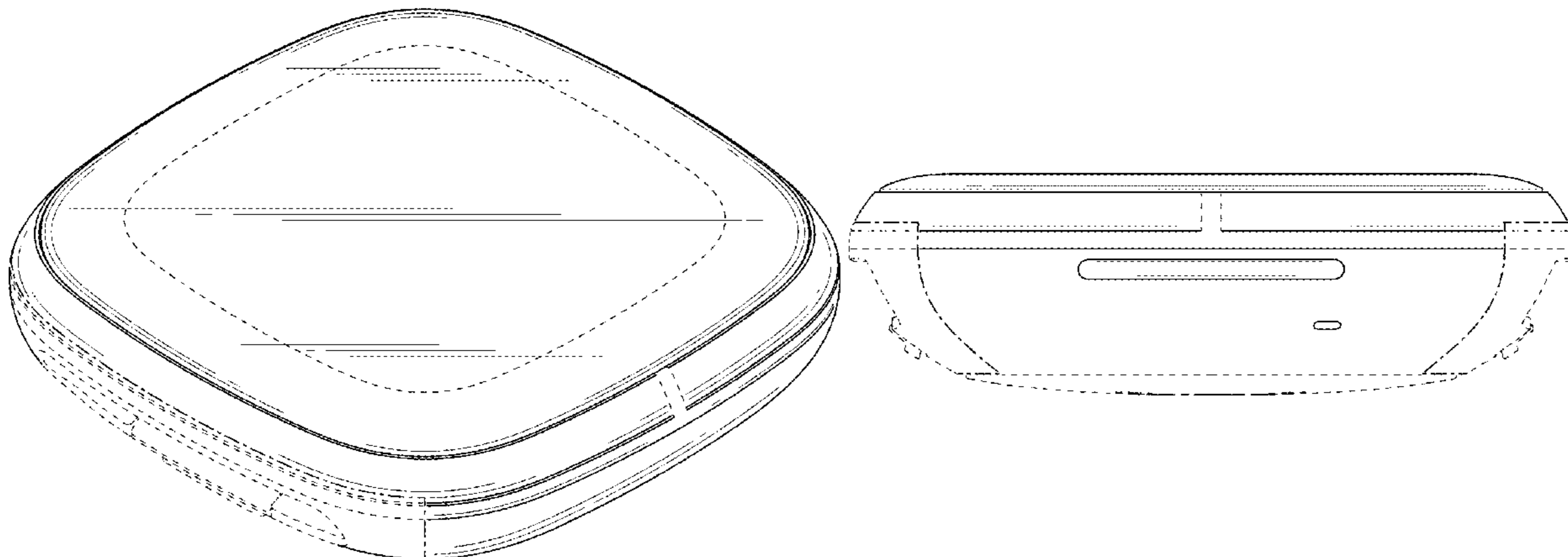
(56) **References Cited**

U.S. PATENT DOCUMENTS

3,992,874 A 11/1976 Collins
4,106,677 A 8/1978 Helms et al.

(Continued)

1 Claim, 6 Drawing Sheets



(58) **Field of Classification Search**

USPC D11/3, 4, 26, 93-94, 78.1, 79, 86;
 D24/167, 169, 186-187, 164
 CPC A41D 1/002; A41D 19/0034; G06F 1/04;
 G06F 1/08; G06F 1/10; G06F 1/14; G06F
 1/1626; G06F 1/1628; G06F 1/163; G06F
 1/1635; G06F 1/3203; G06Q 20/10;
 G06Q 20/12; G06Q 20/108; G06Q
 20/145; H04B 1/3833; H04B 1/385;
 H04B 1/3888; H04M 1/02; H04M 1/03;
 H04M 1/04; H04M 1/05; H04M 1/667;
 H04M 1/6058; Y02B 60/1217; G04G
 17/00; G04G 17/02; G04G 17/08; G04G
 17/083; G04G 17/086; G04C 3/00; G04C
 3/001; G04C 3/002; G04C 3/004; G04C
 3/005; G04C 3/007; G04C 17/00; G04C
 23/02; G04C 23/04; G04B 3/04; G04B
 19/24; G04B 19/26; G04B 37/00; G04B
 45/0069; G04B 47/04; G04B 37/0008;
 G04B 37/0058; G04B 37/12; G04B
 37/18; G04B 45/00; G04B 47/00; G04B
 47/042; G04B 47/06; G04B 47/063

See application file for complete search history.

(56) **References Cited**

U.S. PATENT DOCUMENTS

D256,561 S 8/1980 Muramatsu
 D256,677 S 9/1980 Muramatsu
 D264,946 S 6/1982 Hirabayashi
 D295,387 S 4/1988 Kumagai
 D361,042 S 8/1995 Manayakkara
 D384,294 S 9/1997 Woo et al.
 D528,439 S 9/2006 Burton
 D528,441 S 9/2006 Burton
 D528,928 S 9/2006 Burton
 D584,170 S 1/2009 Morrison
 D584,176 S 1/2009 Maruyama et al.
 D636,687 S 4/2011 Morrison
 D637,097 S * 5/2011 Tseng D10/70
 D638,725 S 5/2011 Morrison
 D693,248 S 11/2013 Anderssen et al.
 D693,249 S 11/2013 Anderssen et al.
 D725,497 S 3/2015 Henne et al.
 D726,924 S 4/2015 Tseng et al.
 D729,216 S * 5/2015 Peng D14/240
 D733,598 S 7/2015 Just et al.
 D737,159 S 8/2015 Akana et al.
 D741,726 S 10/2015 Akana et al.
 D743,278 S 11/2015 Solomon et al.
 D745,421 S 12/2015 Akana et al.
 D746,702 S 1/2016 Galli et al.
 D746,707 S 1/2016 Akana et al.
 D747,494 S 1/2016 Tamsiran
 D749,570 S * 2/2016 Lee D14/344
 D751,070 S 3/2016 Akana et al.
 D751,550 S 3/2016 Solomon et al.
 D756,824 S 5/2016 Akana et al.
 9,367,087 B1 * 6/2016 Townsend A61B 90/98
 D761,675 S * 7/2016 Thaveprungsriporn D10/38
 D763,107 S * 8/2016 Nielsen D10/30
 D765,072 S 8/2016 Kwon
 D765,655 S 9/2016 Tao
 D766,893 S 9/2016 Akana et al.
 D769,867 S * 10/2016 Aumiller D14/344
 D771,504 S 11/2016 Lai et al.
 D771,624 S * 11/2016 Aumiller D14/344
 D772,866 S 11/2016 Park et al.
 D777,163 S 1/2017 Akana et al.
 9,551,977 B2 * 1/2017 Yang G06F 1/16
 D784,346 S 4/2017 Tao
 D792,244 S 7/2017 Schaad
 D793,565 S 8/2017 Saunamaki et al.

D797,150 S 9/2017 Akana et al.
 D797,810 S 9/2017 Akana et al.
 D798,905 S 10/2017 Akana et al.
 D800,172 S 10/2017 Akana et al.
 D800,721 S 10/2017 Kim et al.
 D801,197 S 10/2017 Duval
 D802,587 S 11/2017 Lee et al.
 D805,929 S 12/2017 Akana et al.
 D807,765 S 1/2018 Akana et al.
 D818,846 S 5/2018 Duval
 D825,352 S 8/2018 Duval
 D835,521 S 12/2018 Berthier
 D835,527 S 12/2018 Duval
 D836,007 S 12/2018 Duval
 D837,206 S 1/2019 Guan et al.
 D839,753 S 2/2019 Domke et al.
 D842,724 S * 3/2019 Vandenbussche D10/70
 D842,740 S 3/2019 Akana et al.
 D843,864 S 3/2019 Vandenbussche et al.
 D850,628 S 6/2019 De Hoog et al.
 D850,945 S 6/2019 Akana et al.
 10,324,620 B2 6/2019 Balaram
 D854,433 S * 7/2019 Vandenbussche D10/70
 D855,807 S 8/2019 Schroeder
 D855,813 S * 8/2019 Hu D24/186
 D862,462 S * 10/2019 Zhang D14/344
 D865,546 S 11/2019 Kellock
 D866,350 S 11/2019 Park et al.
 D867,179 S 11/2019 Akana et al.
 D869,461 S * 12/2019 Ke D14/344
 D869,462 S 12/2019 Ke
 D869,964 S 12/2019 Stern
 10,496,209 B2 12/2019 Vummidi Murali et al.
 D875,576 S 2/2020 Akana et al.
 D878,365 S * 3/2020 Choplin D14/344
 2018/0246474 A1 8/2018 Petrou et al.

FOREIGN PATENT DOCUMENTS

CN 302952970 S 10/2014
 CN 303004622 S 11/2014
 CN 303246872 S 6/2015
 CN 303477261 S 12/2015
 CN 303506081 S 12/2015
 CN 204949790 U 1/2016
 CN 303675678 S 5/2016
 CN 303737094 S 7/2016
 CN 303754167 S 7/2016
 CN 303770318 S 8/2016
 CN 303795823 S 8/2016
 CN 303814677 S 8/2016
 CN 205844750 U 12/2016
 CN 303995256 S 1/2017
 CN 304003872 S 1/2017
 CN 304020160 S 2/2017
 CN 304065041 S 3/2017
 CN 304071477 S 3/2017
 CN 304094572 S 4/2017
 CN 304116620 S 4/2017
 CN 304116631 S 4/2017
 CN 304144485 S 5/2017
 CN 304244860 S 8/2017
 CN 304326771 S 10/2017
 CN 304374415 S 11/2017
 CN 304425668 S 12/2017
 CN 304436817 S 1/2018
 CN 304442939 S 1/2018
 CN 304492882 S 2/2018
 CN 304492886 S 2/2018
 CN 207118680 U 3/2018
 CN 304116632 S 4/2018
 CN 304629080 S 5/2018
 CN 207457712 U 6/2018
 CN 304704202 S 6/2018
 CN 304710123 S 7/2018
 CN 304730761 S 7/2018
 CN 304782979 S 8/2018
 CN 304828368 S 9/2018
 CN 304833706 S 9/2018

(56)

References Cited

FOREIGN PATENT DOCUMENTS

CN	304873653	S9	11/2018
CN	304880236	S	11/2018
CN	304925451	S	12/2018
CN	304925455	S	12/2018
CN	304951030	S	12/2018
CN	304973149	S	1/2019
CN	304973151	S	1/2019
CN	305070141	S	3/2019
CN	305114170	S	4/2019
CN	305146930	S	5/2019
CN	305178015	S	5/2019
CN	209949202	U	1/2020
CN	305580115	S	1/2020
EM	002956144-0002		1/2016
EM	002655142-0001		3/2016
EM	004095032-0001		9/2017
EM	005248101-0001		4/2018
EM	005624624-0002		8/2018
EM	00569018-0001		9/2018
EM	005940475-0003		12/2018
KR	30-0881011		12/2015
KR	200483102	Y1	4/2017
WO	DM070942		11/2008
WO	DM075697		3/2011
WO	DM082768		1/2014

OTHER PUBLICATIONS

Fitbit—Versa 3 Health & Fitness Smartwatch—Black, posted unknown; release date Sep. 25, 2020, [retrieved Sep. 11, 2020]. Retrieved from Internet, <URL: <https://www.bestbuy.com/site/fitbit-versa-3-health-fitness-smartwatch-black/6426000.p?skuId=6426000> >.*

Wepro Bands Compatible with Fitbit Versa SmartWatch, Versa 2 and Versa Lite SE Watch, posted Apr. 2, 2018, [retrieved Sep. 11, 2020]. Retrieved from Internet, <URL: <https://www.amazon.com/dp/B07MK6Y86J?th=1&psc=1&tag=androidcentralb-20&ascsubtag=UUacUdUnU66762YYwYg> >.*

U.S. Appl. No. 29/706,974, filed Sep. 25, 2019, applicant Fitbit, Inc. Per rule 609.07.

U.S. Appl. No. 29/712,115, filed Nov. 5, 2019, applicant Fitbit, Inc. Per rule 609.07.

U.S. Appl. No. 29/710,723, filed Oct. 25, 2019, applicant Fitbit, Inc. Per rule 609.07.

U.S. Appl. No. 29/635,224, filed Jan. 29, 2018, applicant Fitbit, Inc. Per rule 609.07.

U.S. Appl. No. 29/721,845, filed Jan. 23, 2020, applicant Fitbit, Inc. Per rule 609.07.

U.S. Appl. No. 29/721,870, filed Jan. 23, 2020, applicant Fitbit, Inc. Per rule 609.07.

U.S. Appl. No. 29/722,312, filed Jan. 28, 2020, applicant Fitbit, Inc. Per rule 609.07.

U.S. Appl. No. 29/722,314, filed Jan. 28, 2020, applicant Fitbit, Inc. Per rule 609.07.

U.S. Appl. No. 29/725,314, filed Feb. 24, 2020, applicant Fitbit, Inc. Per rule 609.07.

U.S. Appl. No. 29/645,397, filed Apr. 25, 2018, applicant Fitbit, Inc. Per rule 609.07.

U.S. Appl. No. 29/708,648, filed Oct. 8, 2019, applicant Fitbit, Inc. Per rule 609.07.

U.S. Appl. No. 29/707,456, filed Sep. 27, 2019, applicant Fitbit, Inc. Per rule 609.07.

U.S. Appl. No. 29/656,638, filed Jul. 13, 2018, applicant Fitbit, Inc. Per rule 609.07.

U.S. Appl. No. 29/671,144, filed Nov. 24, 2018, applicant Fitbit, Inc. Per rule 609.07.

U.S. Appl. No. 29/669,190, filed Nov. 6, 2018, applicant Fitbit, Inc. Per rule 609.07.

U.S. Appl. No. 29/702,572, filed Aug. 20, 2019, applicant Fitbit, Inc. Per rule 609.07.

U.S. Appl. No. 29/702,946, filed Aug. 22, 2019, applicant Fitbit, Inc. Per rule 609.07.

U.S. Appl. No. 29/702,703, filed Aug. 21, 2019, applicant Fitbit, Inc. Per rule 609.07.

U.S. Appl. No. 29/688,946, filed Apr. 25, 2019, applicant Fitbit, Inc. Per rule 609.07.

U.S. Appl. No. 29/702,397, filed Aug. 19, 2019, applicant Fitbit, Inc. Per rule 609.07.

U.S. Appl. No. 29/705,182, filed Sep. 10, 2019, applicant Fitbit, Inc. Per rule 609.07.

U.S. Appl. No. 29/711,032, filed Oct. 28, 2019, applicant Fitbit, Inc. Per rule 609.07.

U.S. Appl. No. 29/725,309, filed Feb. 24, 2020, applicant Fitbit, Inc. Per rule 609.07.

U.S. Appl. No. 29/725,313, filed Feb. 24, 2020, applicant Fitbit, Inc. Per rule 609.07.

“New Fitbit Versa on the way with built-in Amazon Alexa?” Source: androidauthority.com (<https://www.androidauthority.com/fitbit-versa-2-amazon-alexa-10148600/>). Website accessed Mar. 17, 2020.

Connect by Timex Active Smartwatch with Heart Rate, Notifications and Activity Tracking, available at Amazon.com. (<https://www.amazon.com/iConnect-Timex-TW5M34400-Active-Smartwatch/dp/B07XZRQBGV>). Website accessed Mar. 17, 2020.

Alfawise H19 RFID Sports Smartwatch Fitness Tracker—Black, available at gearbest.com (https://www.gearbest.com/smart-watches/pp_009207049039.html?wid=1433363). Website accessed Mar. 17, 2020.

Ergofinity™ Bluetooth Smart Watch available at ergofinity.com (<https://ergofinity.com/products/bluetooth-smart-watch-ios-android>). Website accessed Mar. 17, 2020.

Amazfit BIP Lite 3ATM Smart Watch (Blue) available at amazon.in (https://www.amazon.in/Amazfit-Lite-3ATM-Smart-Watch/dp/B07WQWDYJ7/ref=asc_df_B07WQWDYJ7/?tag=googleshopdes-21&linkCode=df0&hvadid=397082878775&hvpos=&hvnetw=g&hvrand=13400080515884943460&hvpone=&hvptwo=&hvqmt=&hvdev=c&hvdvcmdl=&hvlocint=&hvlocphy=1007765&hvtargid=pla-819594895182&psc=1&ext_vmc=hi). Website accessed Mar. 17, 2020.

POY Compatible Bands Replacement for Fitbit Alta, Fitbit Alta HR sold on Amazon. Website accessed Mar. 1, 2019.

Monster Fitness Multicolor Replacement Bands for Fitbit Flex sold on Amazon. Website accessed Mar. 1, 2019.

GK Fitbit Alta Bands—replacement sport strap bands for Fitbit Alta for sale at Walmart (www.walmart.com). Website accessed Nov. 7, 2018.

iSuunto Core watchband on Instagram. Accessed Feb. 7, 2017.

Suppa G-Shock Strap Adapters, online at least as early as Dec. 13, 2013. Accessed Feb. 7, 2017.

Monserat de Lucca Measuring Tape Bracelet for sale at Shopbop (www.shopbop.com). Website accessed Nov. 11, 2018.

Marc by Marc Jacobs Engraved Turlock Leather Bangle Bracelet for sale at Shopbop (www.shopbop.com). Website accessed Nov. 11, 2018.

Acbee Replacement watch band with buckle for Fitbit Alta for sale at www.amazon.com, Website accessed Nov. 7, 2018.

Perfit rubber watch band with double prong buckle and spring bars for sale at www.amazon.com. Website accessed Nov. 7, 2018.

Waterproof diving silicone rubber strap with clasp for sale at www.aliexpress.com (Alibaba Group). Website accessed Feb. 7, 2018.

Damusy Fitness Tracker Smart Band for sale at www.activityandfitnesstrackers.com. Website accessed Nov. 10, 2018.

Volemer F09HR Smart Band Fitness Tracker for sale at www.epaky.com. Website accessed Nov. 10, 2018.

“First Look: Fitbit announces new Fitbit Alta activity tracker”, published Feb. 3, 2016 on DC Rainmaker (www.dcrainmaker.com). Website accessed Nov. 10, 2018.

Fitbit Alta—for sale by Fitbit (<https://www.fitbit.com/alta>). Website accessed Mar. 27, 2017.

Fitbit Alta review published Mar. 25, 2016 on CNet (www.cnet.com). Website accessed Nov. 10, 2018.

Fitbit Charge 2 Heart Rate and Fitness Wristband for sale at www.amazon.co.uk. Website accessed Feb. 7, 2018.

(56)

References Cited

OTHER PUBLICATIONS

Fitbit Flex Wireless Activity and Sleep Wristband for sale at www.amazon.com. Listed at least as early as Apr. 16, 2013.

Fitbit Ionic Accessory Band for sale at Nordstrom (<https://shop.nordstrom.com>). Website accessed Nov. 7, 2018.

Fitbit Alta HR Bands for sale at The Fitness Equipment Shop (www.thefitnessequipmentshop.com). Website accessed Nov. 17, 2018.

Luminox Replacement Rubber Watch Band Strap for sale at Walmart (www.walmart.com). Website accessed Nov. 7, 2018.

“MPOW DS-D6 Fitness Band Review” published Jan. 13, 2018 on ZeroAir (www.zeroair.wordpress.com). Website accessed Nov. 10, 2018.

“Fitbit Product Teardown” on Pinterest, pinned from www.ifixit.com. Website accessed Feb. 27, 2017.

Pro Elite Medicine Ball by Power Systems (www.power-systems.com). Website accessed Feb. 7, 2018.

Replacement metal watch band Connector for Fitbit Alta/Fitbit Alta HR for sale at Banggood (www.banggood.com). Website accessed Nov. 10, 2018.

Citrine by the Stones Sol Forearm Band for sale at Shopbop (www.shopbop.com). Website accessed Nov. 11, 2018.

Gorjana Mia Wrap Cuff for sale at Shopbop (www.shopbop.com). Website accessed Nov. 11, 2018.

Fintie for Gear S2 Watch Band Stainless Steel Metal Replacement Strap, for sale at www.amazon.com. Website accessed Apr. 24, 2019.

Fitbit Inspire HR review: One size, many styles, fit all, posted May 24, 2019, [retrieved Jun. 5, 2019]. Retrieved from Internet, <URL: <https://www.macworld.com/article/3397320/fitbit-inspire-hr-review.html>>.

The New Fitbit Inspire HR Is Finally Available to the Public!, posted Mar. 6, 2019, [retrieved Jun. 5, 2019]. Retrieved from Internet, <URL: <https://amyeverafter.com/new-fitbit-inspire-hr-smartwatch/>>.

Samsung’s 6th smartwatch has a 3G modem and a massive curved display, posted Aug. 28, 2014, [retrieved Jun. 5, 2019]. Retrieved from Internet, <URL: <https://arstechnica.com/gadgets/2014/08/samsungs-6th-smartwatch-has-a-3g-modem-and-a-massive-curved-display/>>.

Microsoft Band 2 Fitness Tracker with Curved Screen Announced, posted Oct. 7, 2015, [retrieved Jun. 5, 2019]. Retrieved from Internet, <URL: <https://gadgetsinsider.com/microsoft-band-2-fitness-tracker-with-curved-screen-announced.html>>.

Samsung Introduces Three New Wearables for Balanced and Connected Living, Samsung Newsroom, posted Feb. 20, 2019, accessed Feb. 25, 2019. <URL: <https://news.samsung.com/us/samsung-wearable-galaxy-watch-active-galaxy-fit-galaxy-buds-unpacked-2019/>>.

Wang et al., “Integrity Protection for Code-On-Demand Mobile Agents,” *Journal of Systems and Software*, vol. 60, Issue 3, pp. 211-221, downloaded from: <https://www.researchgate.net/researcher/9579357> Tianhan Wang, Feb. 15, 2002.

Seifert, “Making Time: how Pebble built its next smartwatch,” downloaded from: <http://www.theverge.com/2015/2/24/8091175/pebble-time-watchwearable-platform-eric-migicovsky-interview>, The Verge, Feb. 24, 2015.

Fitbit Charge 3 leak hints at massive changes, posted Aug. 14, 2018, [retrieved Jan. 29, 2019]. Retrieved from Internet, <URL: <https://www.slashgear.com/fitbit-charge-3-leak-hints-at-massive-changes-14541228/>>.

New Fitbit is a waterproof smartwatch in disguise, posted Aug. 28, 2018, [retrieved Jan. 29, 2019]. Retrieved from Internet, <URL: https://www.fox5vegas.com/archives/new-fitbit-is-a-waterproof-smartwatch-in-disguise/article_277bf36f-2e79-5b48-b490-1abce7603fae.html>.

Silicone Rubber Waterproof Watch Strap Band FORTE Spring Bars, for sale at eBay (<https://www.ebay.com.au/itm/Silicone-Rubber-Waterproof-Watch-Strap-Band-FORTE-Spring-Bars-20mm-22mm-24mm-/272077865335>). Website accessed Dec. 6, 2019.

Kartice Compatible with Fitbit Inspire Bands/Fitbit Inspire HR Bands, for sale at www.amazon.com. Website accessed Jun. 10, 2019.

Tuscom Replacement Bands Compatible with Fitbit Inspire and Fitbit Inspire HR, for sale at www.amazon.com. Website accessed Jun. 10, 2019.

ACBEE Fitbit alta Band, Watch Buckle Design, for sale on amazon.com (https://www.amazon.com/ACBEE-Perfect-Replacement-Original-Band-Never/dp/B01G2IECXO/ref=as_li_ss_tlie=UTF8&linkCode=sll1&tag=mbyte-20&linkId=d7045d83d76ae70cec2212,2019.55ad2f282088&linkCode=w61&imprToken=n-LMJ6kaAeLbRPMusOUq7A&slotNum=14). Website accessed Jun. 12, 2019.

Gold premium NATO strap Le Mans, for sale at cheapestnatostraps.com (<https://www.cheapestnatostraps.com/products/gold-premium-nato-strap-le-mans>). Website accessed Dec. 6, 2019.

Alfawise H19 RFID Sports Smartwatch Fitness Tracker for sale at gearbest.com (https://www.gearbest.com/smart-watches/pp_009207049039.html?wid=1433363). Website accessed Dec. 6, 2019.

Fitbit Versa Smartwatch and Activity Tracker with Classic Band for sale at HSN (<https://www.hsn.com/products/fitbit-versa-smartwatch-and-activity-tracker-with-class/8688605>). Website accessed Dec. 6, 2019.

Fitbit Versa Smartwatch for sale at kohls.com (<https://www.kohls.com/product/prd-3296179/fitbit-versa-smart-fitness-watch-non-nfc.jsp>). Website accessed Dec. 6, 2019.

Princeton University 18mm NATO Watch Strap with Silver Fittings for sale at Smart Turnout (<https://smartturnout.com/university-watchstrap-princeton-university/>). Website accessed Dec. 6, 2019.

Fitbit Ace 2 activity tracker for kids 6+, for sale at fitbit.com (<https://www.fitbit.com/us/products/trackers/ace2?sku=414BKBU>). Website accessed Jan. 2020.

Samsung Galaxy Fit, Black, available from Samsung (<https://www.samsung.com/us/mobile/wearables/smart-fitness-bands/samsung-galaxy-fit-sm-r370nzkaxar/>). Website accessed Mar. 16, 2020.

“Colorful TPE Strap Replacement Sport Wrist Watch Band for Xiaomi Miband 3 Miband 4—No. 2” available from Banggood (https://www.banggood.in/Colorful-TPE-Strap-Replacement-Sport-Wrist-Watch-Band-for-Xiaomi-Miband-3-Miband-4-p-1307559.html?ID=529070&cur_warehouse=CN). Website accessed Mar. 16, 2020.

* cited by examiner

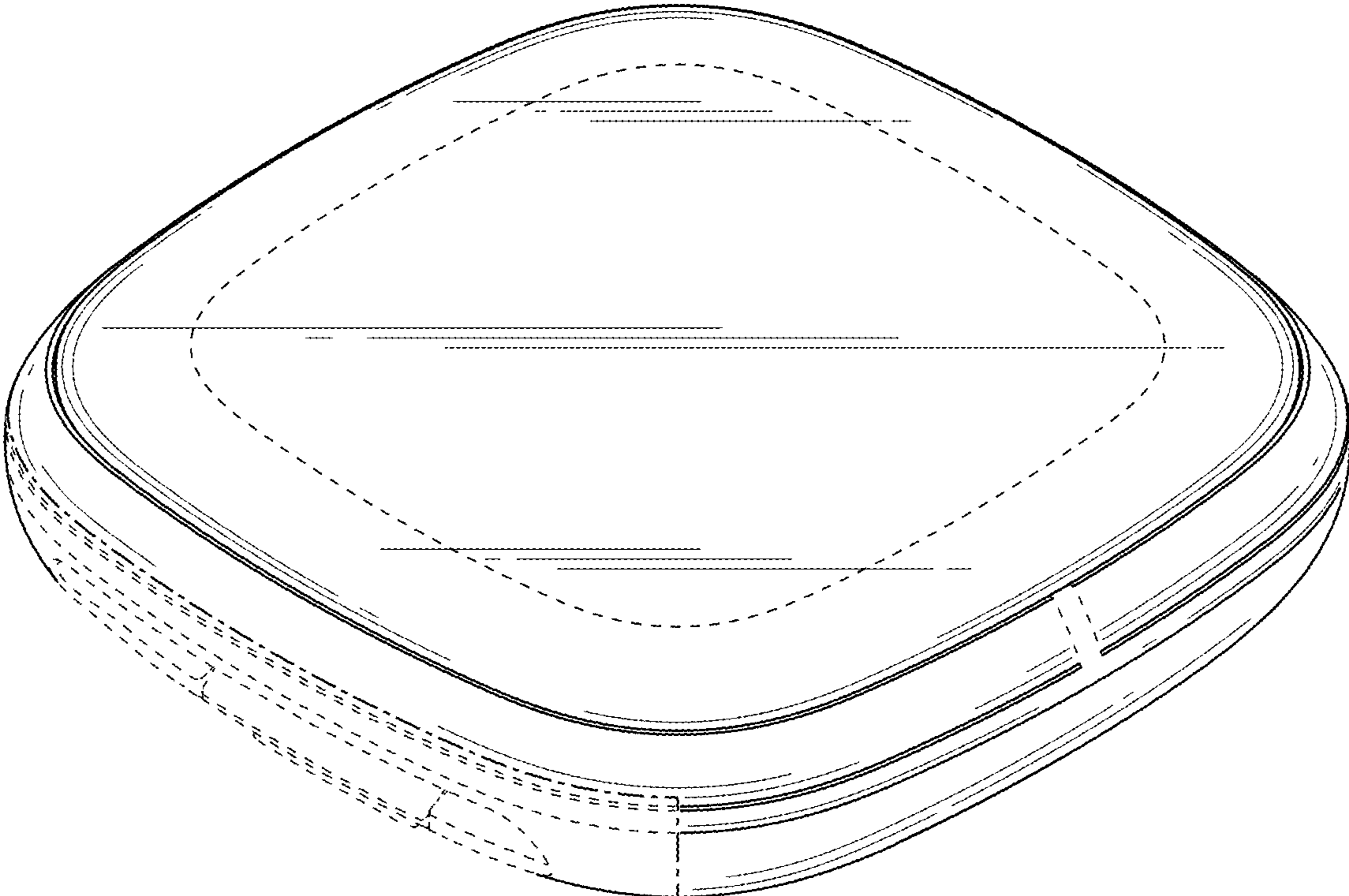


FIG. 1

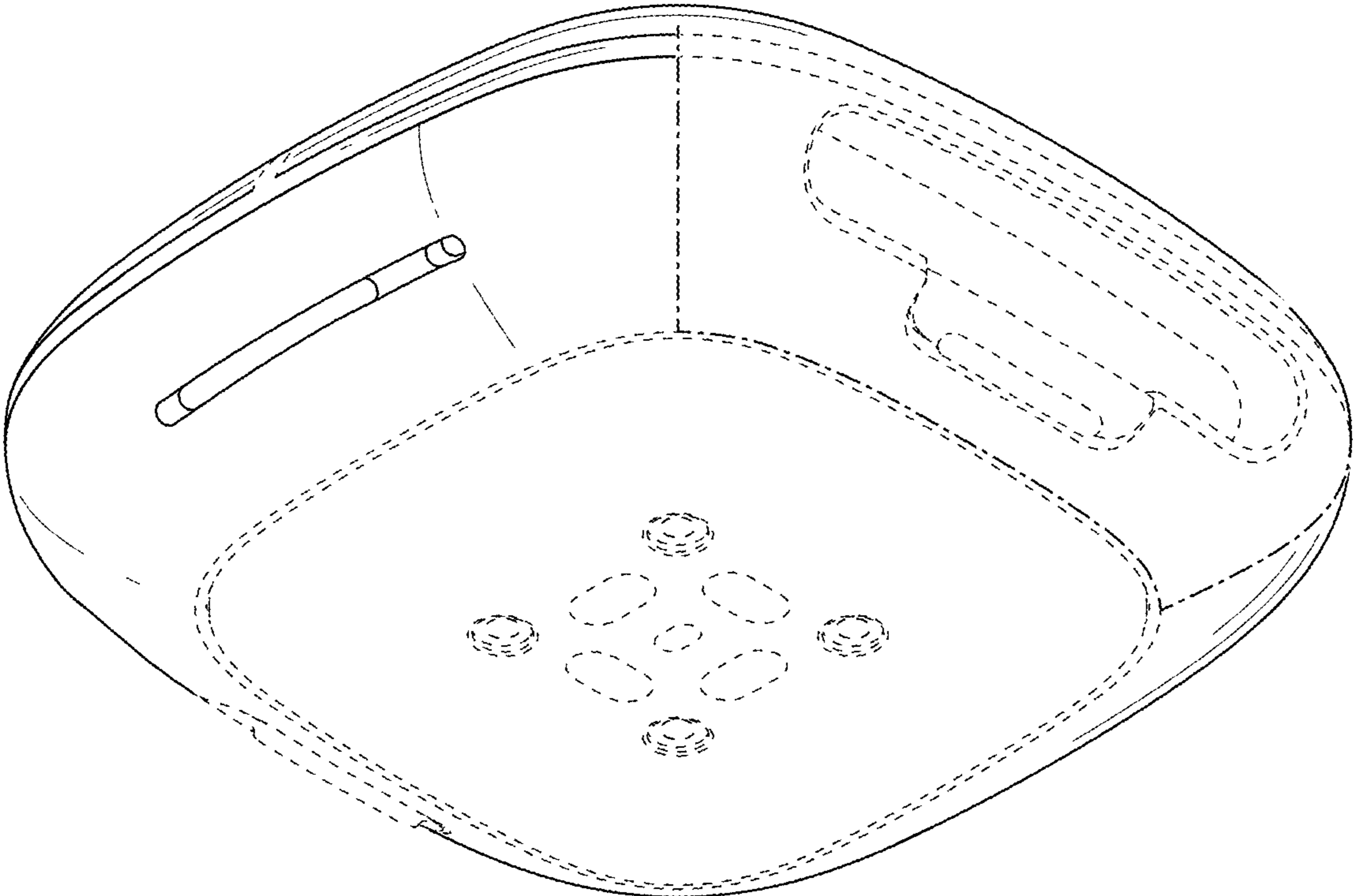


FIG. 2

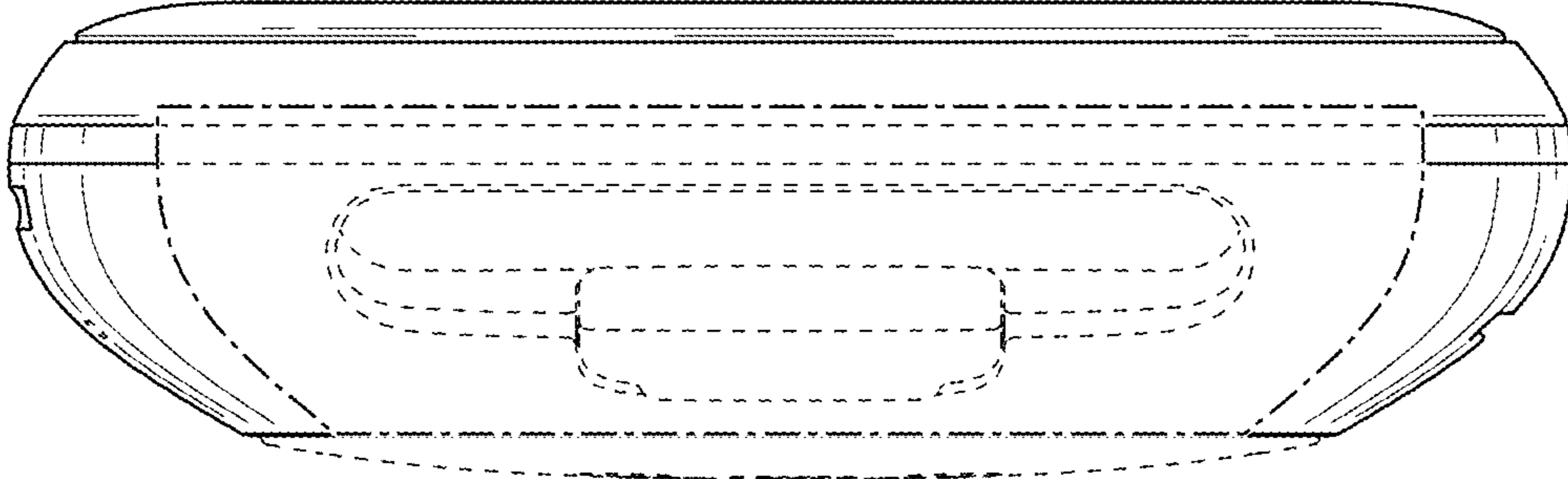


FIG. 3

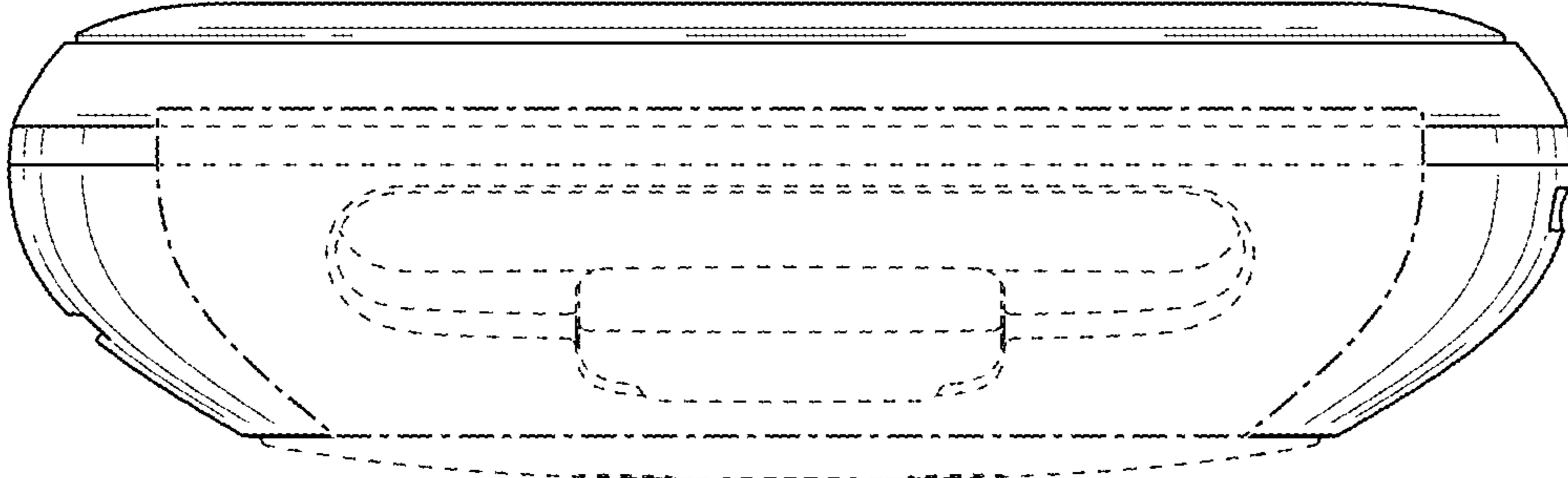


FIG. 4

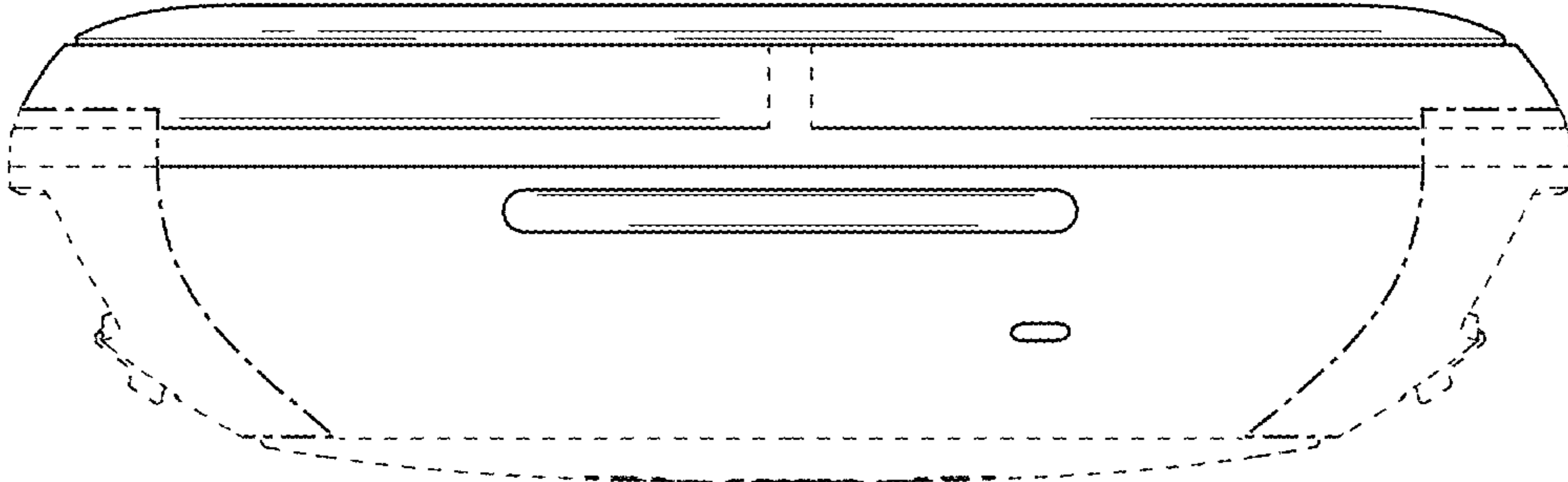


FIG. 5

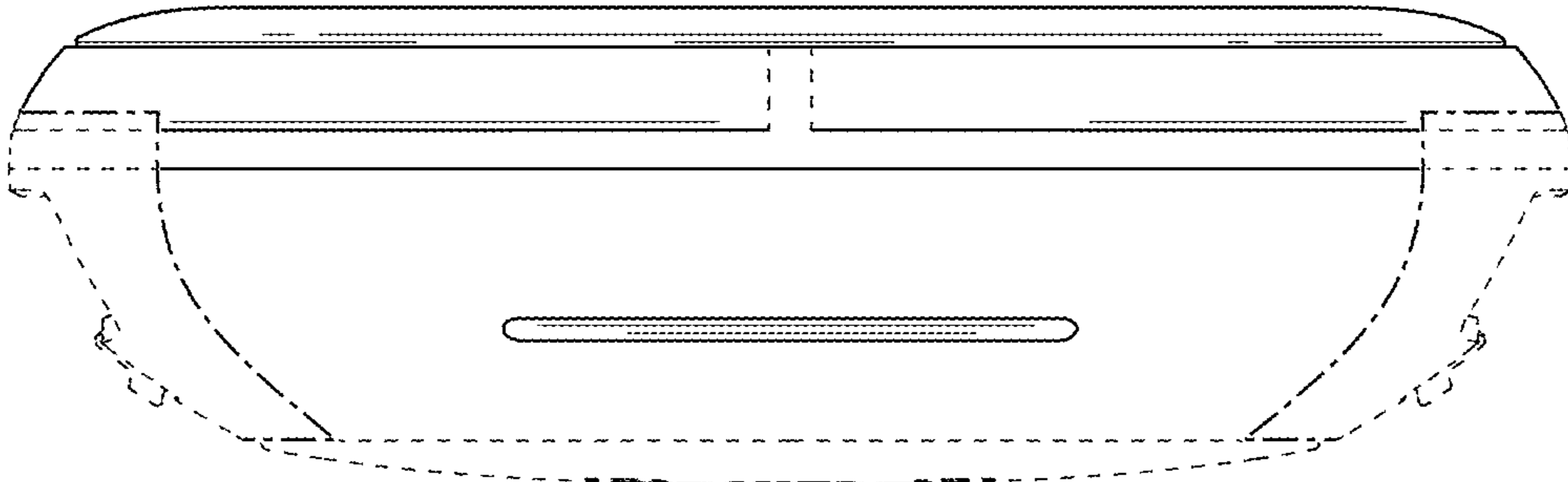


FIG. 6

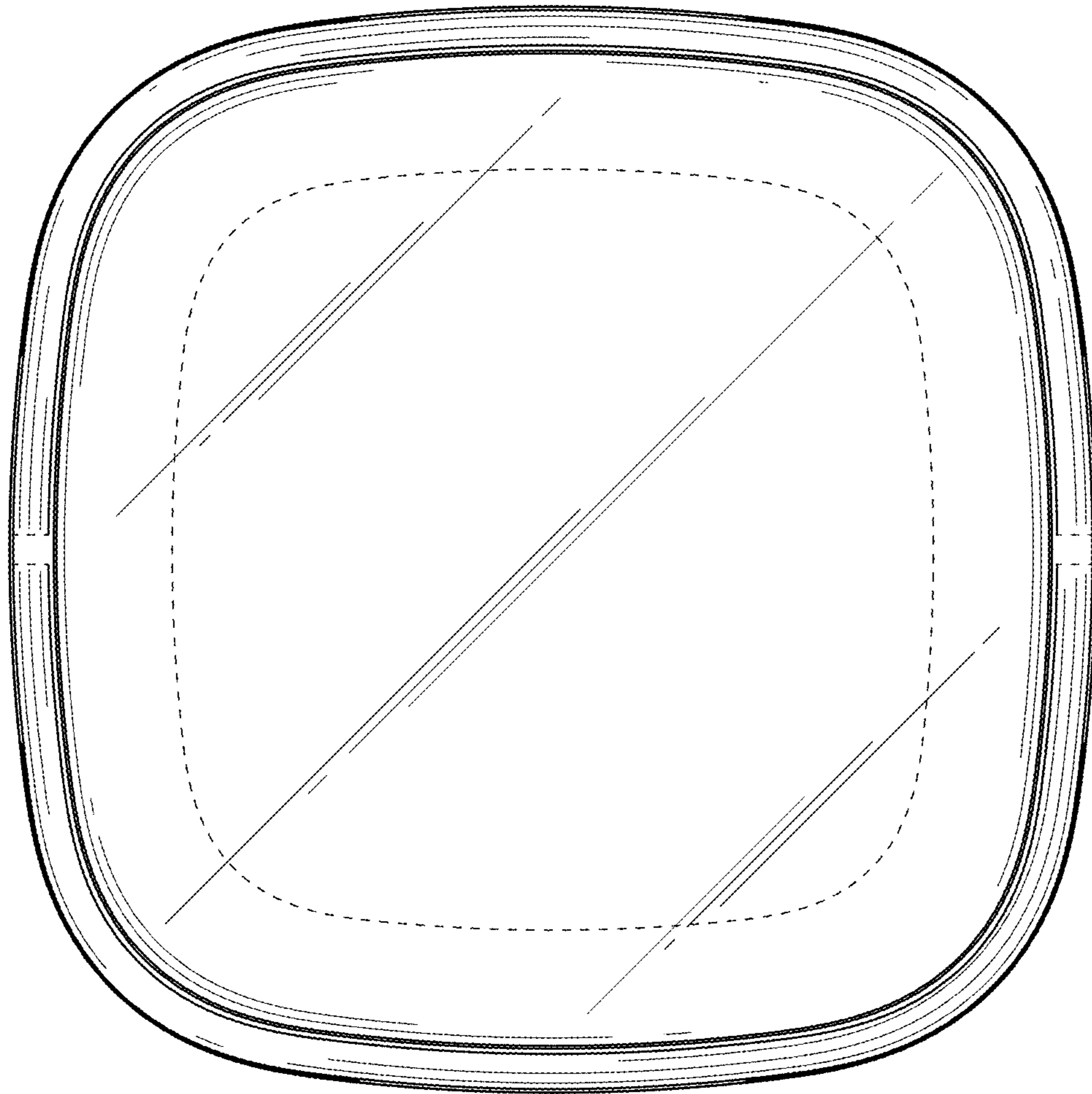


FIG. 7

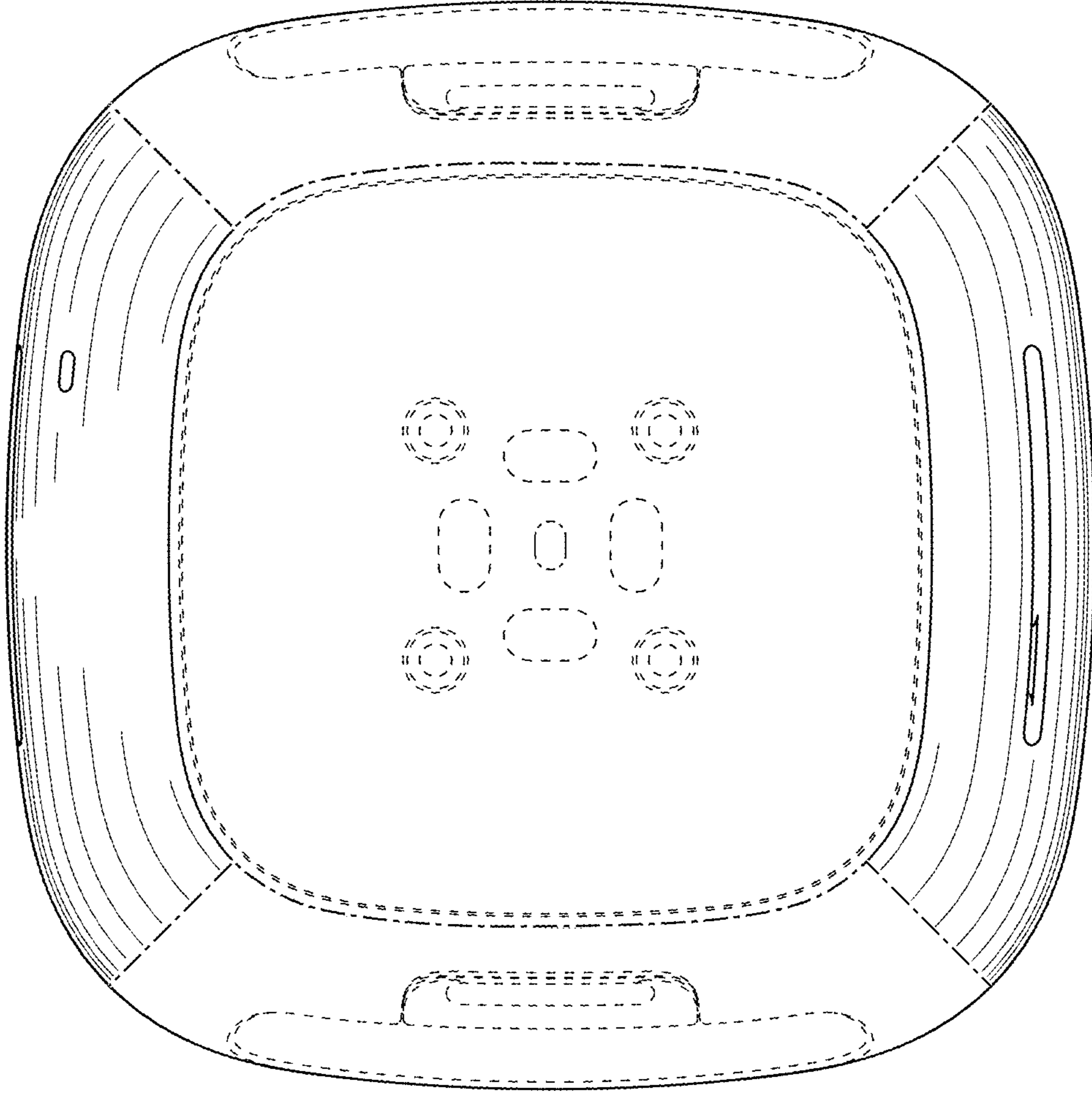


FIG. 8