



US00D902920S

(12) **United States Design Patent**
Bang et al.

(10) **Patent No.:** **US D902,920 S**

(45) **Date of Patent:** **** Nov. 24, 2020**

(54) **PORTABLE ELECTRONIC DEVICE**

(71) Applicant: **Samsung Electronics Co., Ltd.**,
Suwon-si (KR)

(72) Inventors: **Yong Seok Bang**, Yongin-si (KR);
Kwang Ha Choi, Seongnam-si (KR);
Jae-Hyung Hong, Seoul (KR); **Sanhui Oh**, Seoul (KR); **Hyemin Bae**, Seoul (KR)

(73) Assignee: **SAMSUNG ELECTRONICS CO., LTD.**, Suwon-si (KR)

(**) Term: **15 Years**

(21) Appl. No.: **29/662,353**

(22) Filed: **Sep. 5, 2018**

(30) **Foreign Application Priority Data**

Jun. 22, 2018 (KR) 30-2018-0028921

(51) **LOC (12) Cl.** **14-02**

(52) **U.S. Cl.**
USPC **D14/344**

(58) **Field of Classification Search**

USPC .. D14/138 R, 144, 341, 344, 358, 388, 218;
D10/30-39, 70, 98; D11/3, 4, 26, 93-94,
D11/78.1, 79, 86; D24/167, 169,
D24/186-187, 164

CPC A41D 1/002; A41D 19/0034; G06F 1/04;
G06F 1/08; G06F 1/10; G06F 1/14; G06F
1/1626; G06F 1/1628; G06F 1/163; G06F
1/1635; G06F 1/3203; G06Q 20/10;
G06Q 20/12; G06Q 20/108; G06Q
20/145; H04B 1/3833; H04B 1/385;
H04B 1/3888; H04M 1/02; H04M 1/03;
H04M 1/04; H04M 1/05; H04M 1/667;
H04M 1/6058; Y02B 60/1217

See application file for complete search history.

(56) **References Cited**

U.S. PATENT DOCUMENTS

D287,470 S * 12/1986 Houlihan D10/30
D321,145 S * 10/1991 Takahashi D10/39
D440,162 S * 4/2001 McKenzie D10/31
D519,856 S * 5/2006 Tonohori D10/38

(Continued)

OTHER PUBLICATIONS

Samsung Galaxy Watch smartwatch (46mm, GPS, Bluetooth)—Silver/Black (US Version with Warranty), posted Aug. 10, 2018, [retrieved Jun. 11, 2020]. Retrieved from Internet, <URL: <https://www.amazon.com/Samsung-Galaxy-Silver-Bluetooth-SM-R800NZSAXAR/dp/B07FTKJCMT?th=1> >.*

(Continued)

Primary Examiner — Shannon W Morgan

Assistant Examiner — Kristin E Reed

(74) *Attorney, Agent, or Firm* — McAndrews Held & Malloy, Ltd.

(57) **CLAIM**

The ornamental design for a portable electronic device, as shown and described.

DESCRIPTION

FIG. 1 is a front perspective view of a portable electronic device showing our new design;

FIG. 2 is a front elevation view thereof;

FIG. 3 is a rear elevation view thereof;

FIG. 4 is a left side elevation view thereof;

FIG. 5 is a right side elevation view thereof;

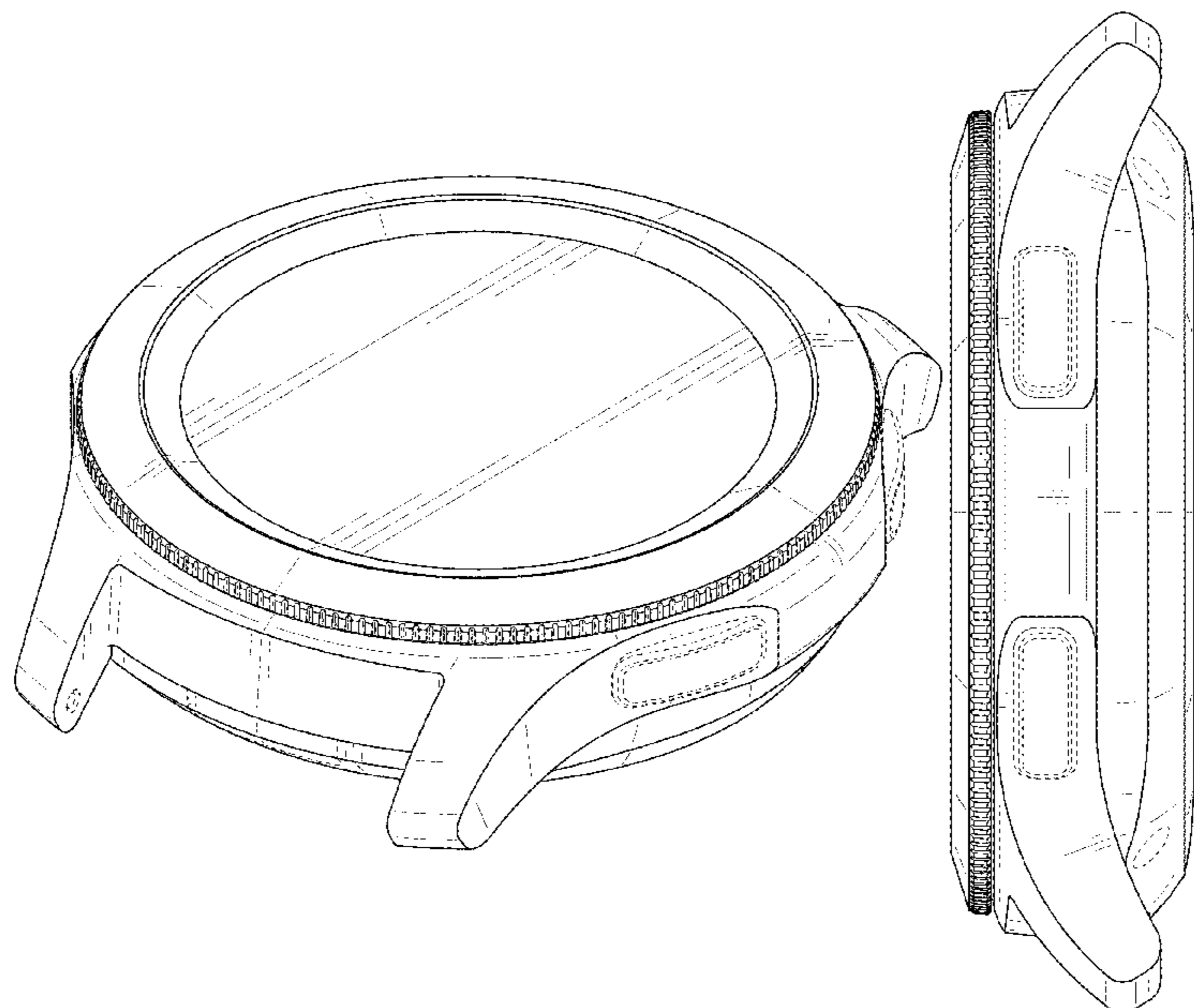
FIG. 6 is a top plan view thereof;

FIG. 7 is a bottom plan view thereof; and,

FIG. 8 is a rear perspective view thereof.

The evenly dashed broken lines in the drawings illustrate portions of the portable electronic device that form no part of the claimed design.

1 Claim, 8 Drawing Sheets



(56)

References Cited

U.S. PATENT DOCUMENTS

D579,792 S * 11/2008 Calvani D10/39
D594,351 S * 6/2009 Tonohori D10/32
D612,270 S * 3/2010 Keithline, III D10/38
D708,074 S * 7/2014 Tonohori D10/39
D762,492 S * 8/2016 Sugiura D10/126
D773,944 S * 12/2016 Wang D10/30
D792,786 S * 7/2017 Davoli D10/30
D803,210 S * 11/2017 Bang D14/344
D804,966 S * 12/2017 Inoue D10/30
9,904,252 B2 * 2/2018 Kato G04R 20/08
D817,952 S * 5/2018 Choi D14/344
D817,953 S * 5/2018 Choi D14/344
D823,139 S * 7/2018 Kuroda D10/39
10,353,430 B2 * 7/2019 Kim G06F 1/1637
D857,010 S * 8/2019 Choi D14/344
D860,988 S * 9/2019 Haapakoski D14/344
D861,506 S * 10/2019 Lintz D10/39
D870,568 S * 12/2019 Stern D10/30

OTHER PUBLICATIONS

Samsung Gear S3 Frontier Smartwatch (Bluetooth), SM-R760NDAAXAR, posted Nov. 7, 2016, [retrieved Jun. 11, 2020]. Retrieved from Internet, <URL: <https://www.amazon.com/Samsung-Frontier-Smartwatch-Bluetooth-SM-R760NDAAXAR/dp/B01M7MDK5S> >.*

* cited by examiner

FIG. 1

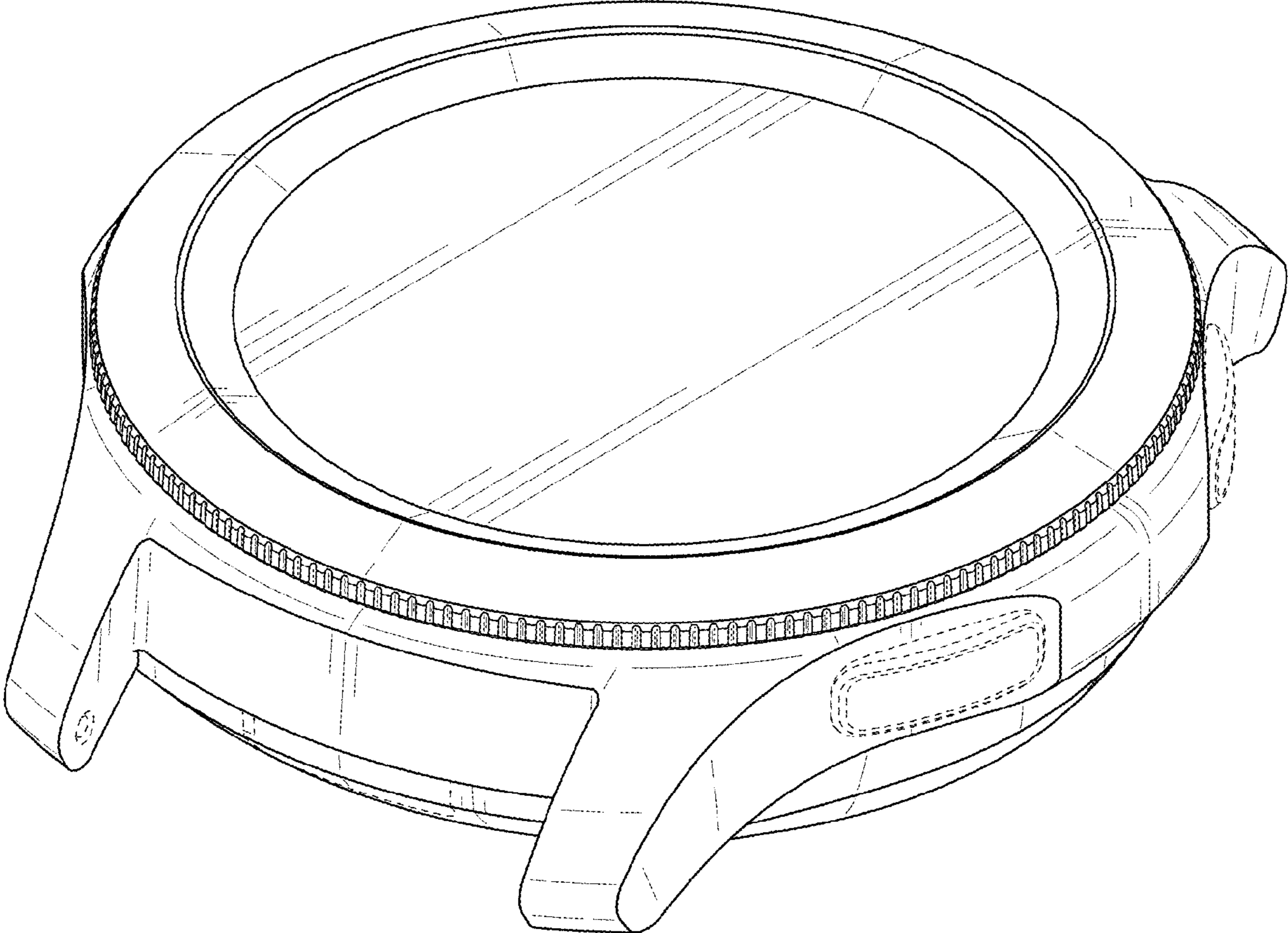


FIG. 2

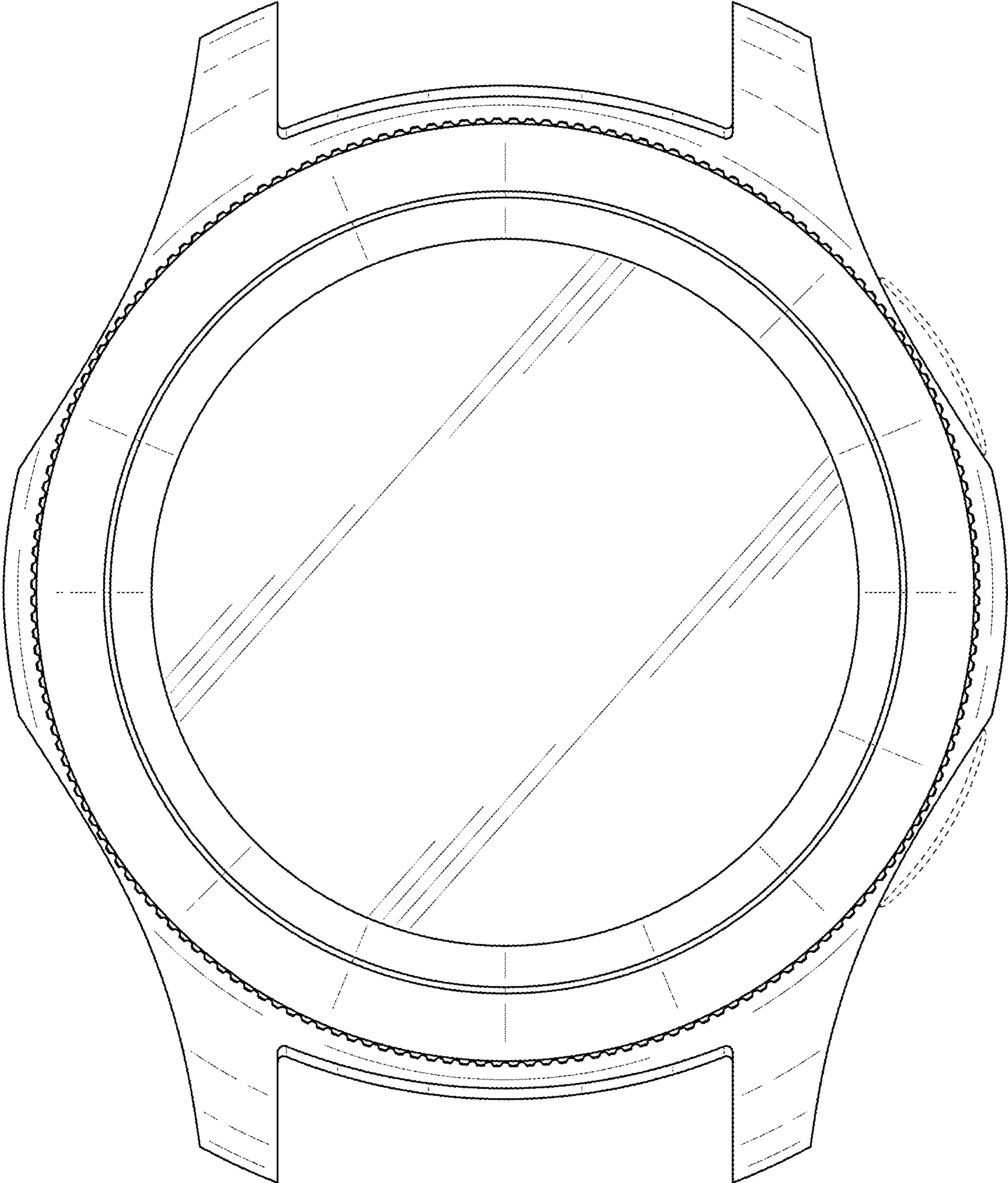


FIG. 3

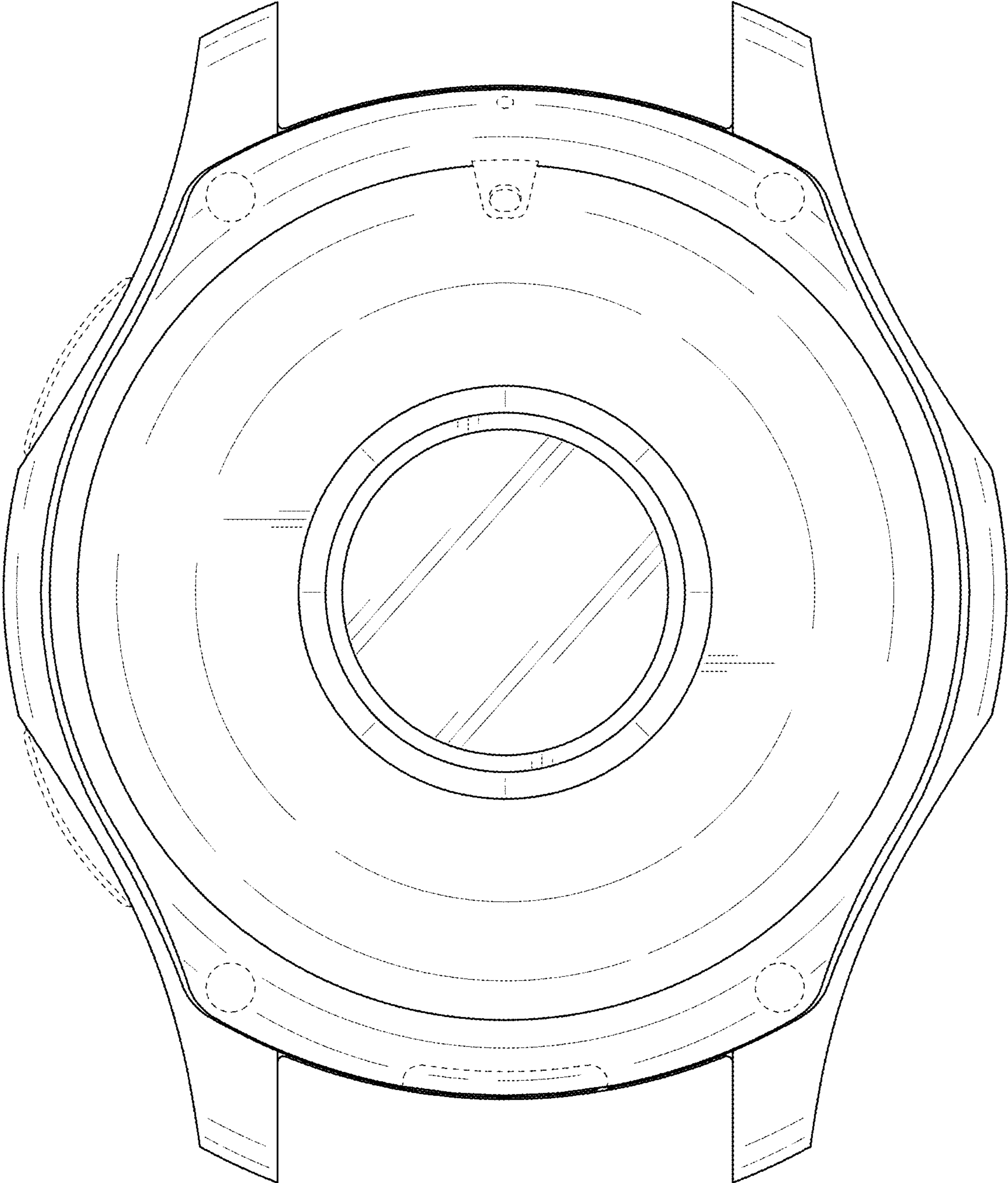


FIG. 4

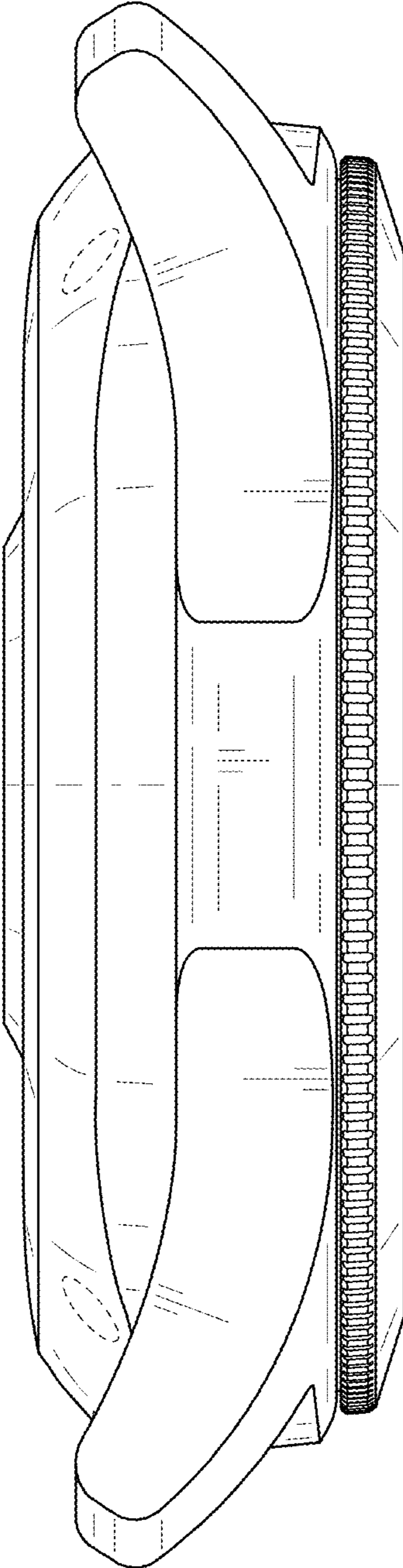


FIG. 5

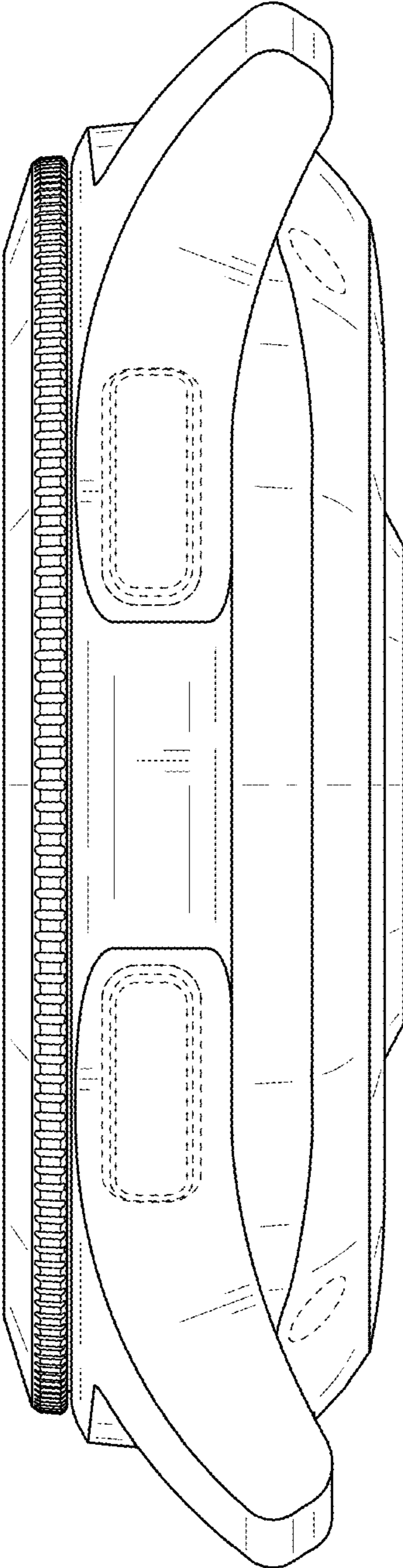


FIG. 6

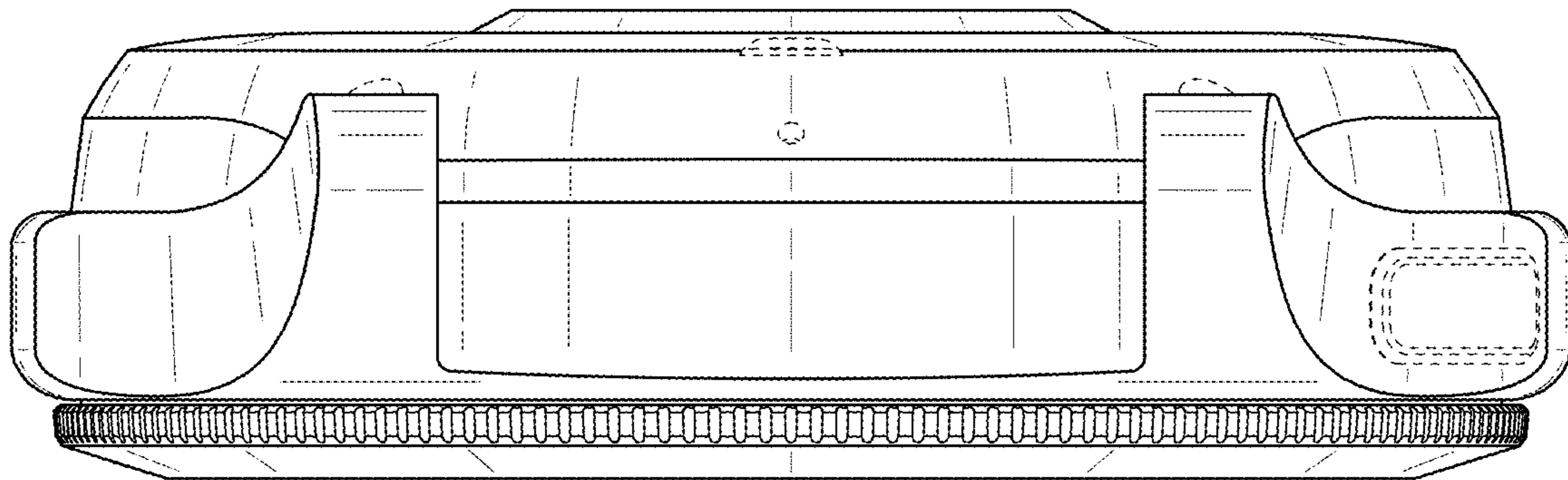


FIG. 7

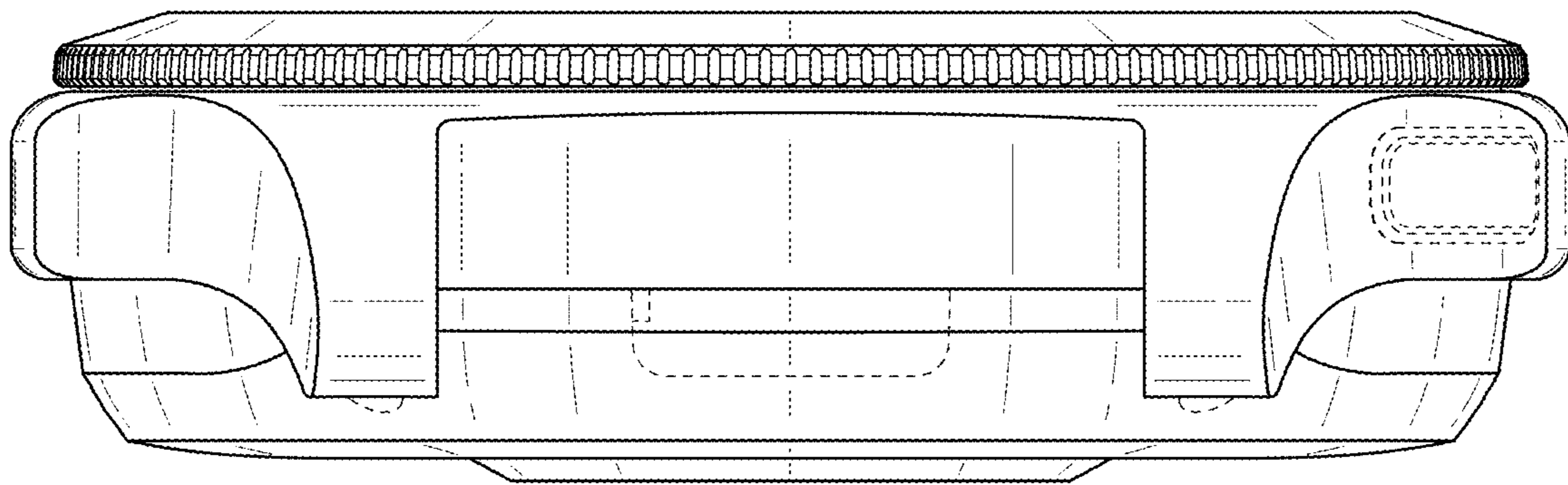


FIG. 8

