



US00D902919S

(12) **United States Design Patent** (10) **Patent No.:** **US D902,919 S**
Carmona (45) **Date of Patent:** **** Nov. 24, 2020**

(54) **MULTISERVICE AND INTERACTIVE DIGITAL TERMINAL**

3/5175; H04M 3/5183; H04M 3/5191; H04M 3/5232; H04M 7/0084

See application file for complete search history.

(71) Applicant: **AKSOR**, Saint-Thibault-des-Vignes (FR)

(56) **References Cited**

(72) Inventor: **Pierre Carmona**, Chelles (FR)

U.S. PATENT DOCUMENTS

(73) Assignee: **AKSOR**, Saint-Thibault-des-Vignes (FR)

D395,677 S *	6/1998	Gongora	D20/10
D398,653 S *	9/1998	Hiraguchi	D20/10
D639,800 S *	6/2011	Magruder	D14/307
D722,313 S *	2/2015	Birgeoglu	D14/307
D723,026 S *	2/2015	Birgeoglu	D14/307
D776,651 S *	1/2017	Yates	D14/307
D782,467 S *	3/2017	Bladwell	D14/307
D783,596 S *	4/2017	Payne	D14/307
D790,457 S *	6/2017	Vargas	D13/108
D825,664 S *	8/2018	Niziol	D20/10
D868,055 S *	11/2019	Benic	D14/307
D884,693 S *	5/2020	Mangeot	D14/307
D884,694 S *	5/2020	Mangeot	D14/307
D886,096 S *	6/2020	Mangeot	D14/307
D887,403 S *	6/2020	Matsushita	D14/307

(**) Term: **15 Years**

(21) Appl. No.: **35/507,553**

(22) Filed: **May 2, 2019**

(80) **Hague Agreement Data**

Int. Filing Date: **May 2, 2019**
Int. Reg. No.: **DM/203424**
Int. Reg. Date: **May 2, 2019**
Int. Reg. Pub. Date: **Oct. 25, 2019**

* cited by examiner

(51) **LOC (12) Cl.** **14-03**

Primary Examiner — Khawaja Anwar

(52) **U.S. Cl.**

(74) *Attorney, Agent, or Firm* — Arent Fox LLP

USPC **D14/307**

(58) **Field of Classification Search**

(57) **CLAIM**

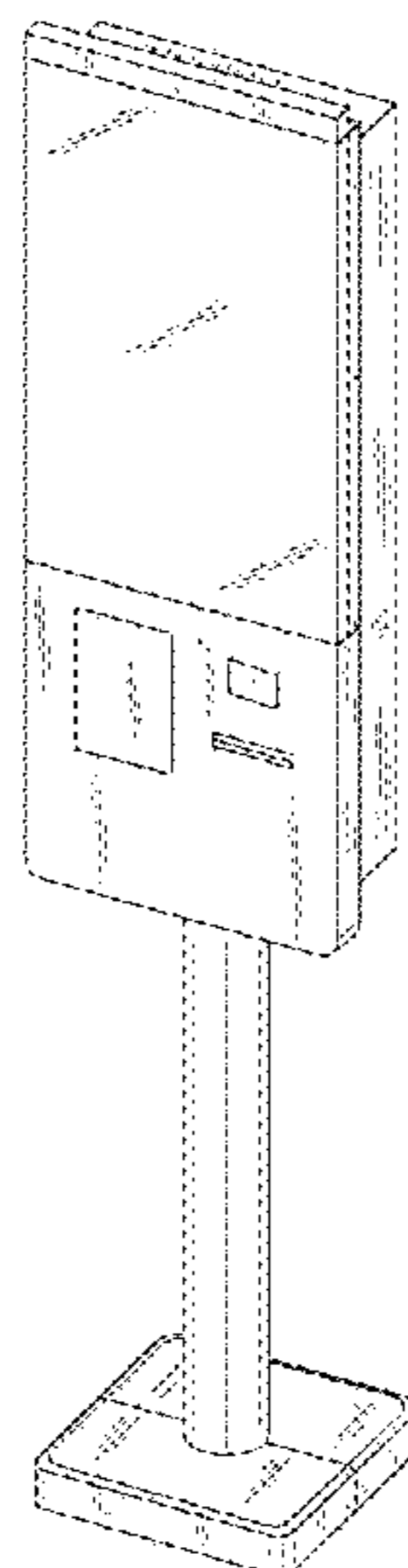
USPC D14/167, 154, 168, 188, 496, 156, 160, D14/161, 162, 163, 164, 165, 158, 253, D14/192, 159, 155, 138, 217, 307
CPC G06N 20/00; G06N 3/08; G06N 3/006; G06N 3/0427; G06N 3/0454; G06N 3/084; G06N 3/126; G06N 5/003; G06N 5/02; G06N 5/041; G06N 7/005; G08C 17/02; G08C 2201/30; G08C 2201/61; H04M 1/2725; H04M 1/72533; H04M 1/72552; H04M 1/72563; H04M 1/72588; H04M 1/72597; H04M 2201/14; H04M 2201/16; H04M 2201/40; H04M 2203/402; H04M 2203/403; H04M 2203/558; H04M 2242/04; H04M 2242/28; H04M 2242/30; H04M 3/42221; H04M 3/5141; H04M 3/5158; H04M

The ornamental design for a multiservice and interactive digital terminal, as shown and described.

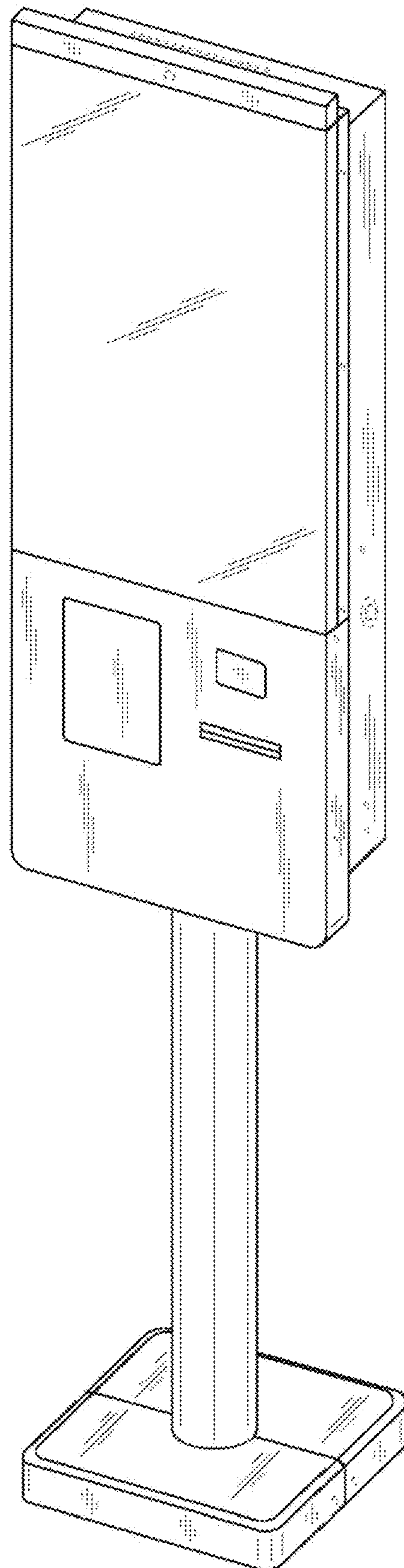
DESCRIPTION

1. Multi-service and interactive digital terminal
FIG. 1.1 is a perspective view of a multiservice and interactive digital terminal, showing my new design;
FIG. 1.2 is a front elevation view thereof;
FIG. 1.3 is a rear elevation view thereof;
FIG. 1.4 is a side elevation view thereof;
FIG. 1.5 is another side elevation view thereof;
FIG. 1.6 is a top plan view thereof; and
FIG. 1.7 is a bottom plan view thereof;

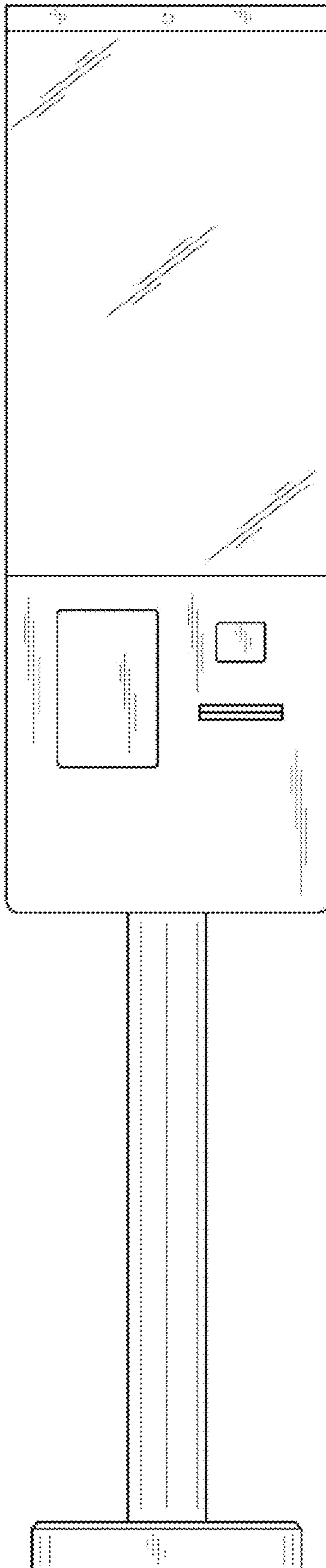
1 Claim, 7 Drawing Sheets



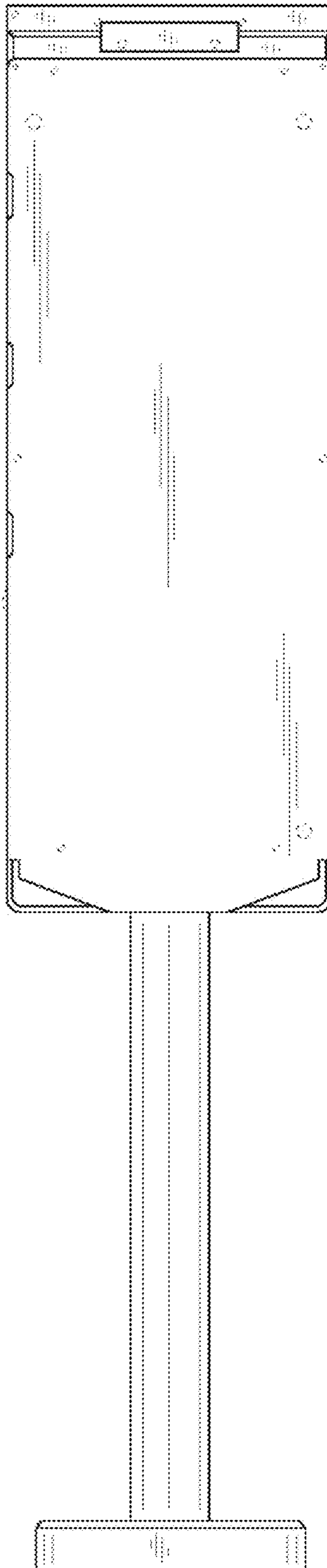
1.1



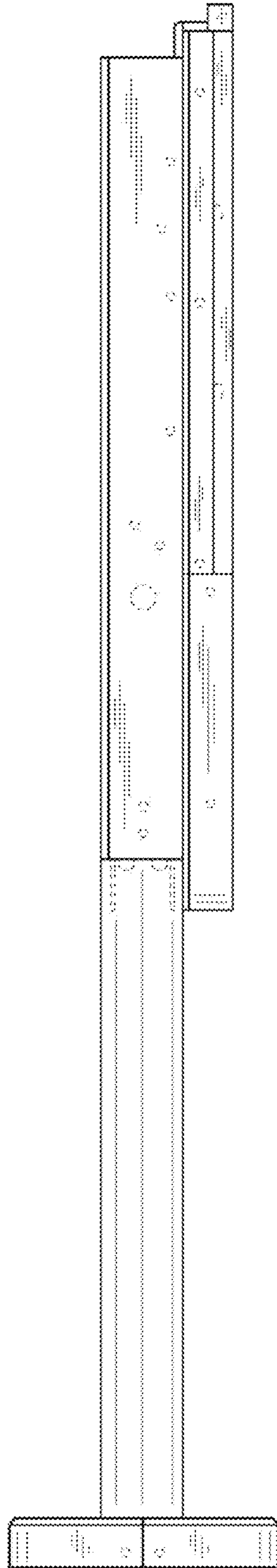
1.2



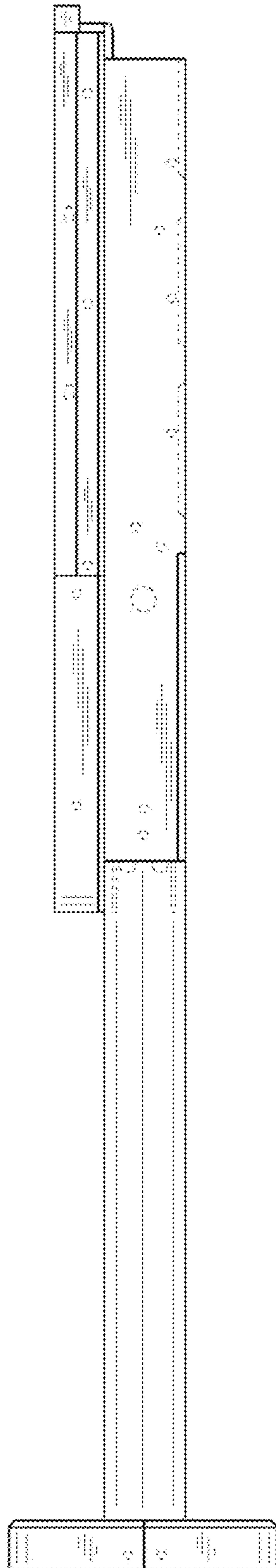
1.3



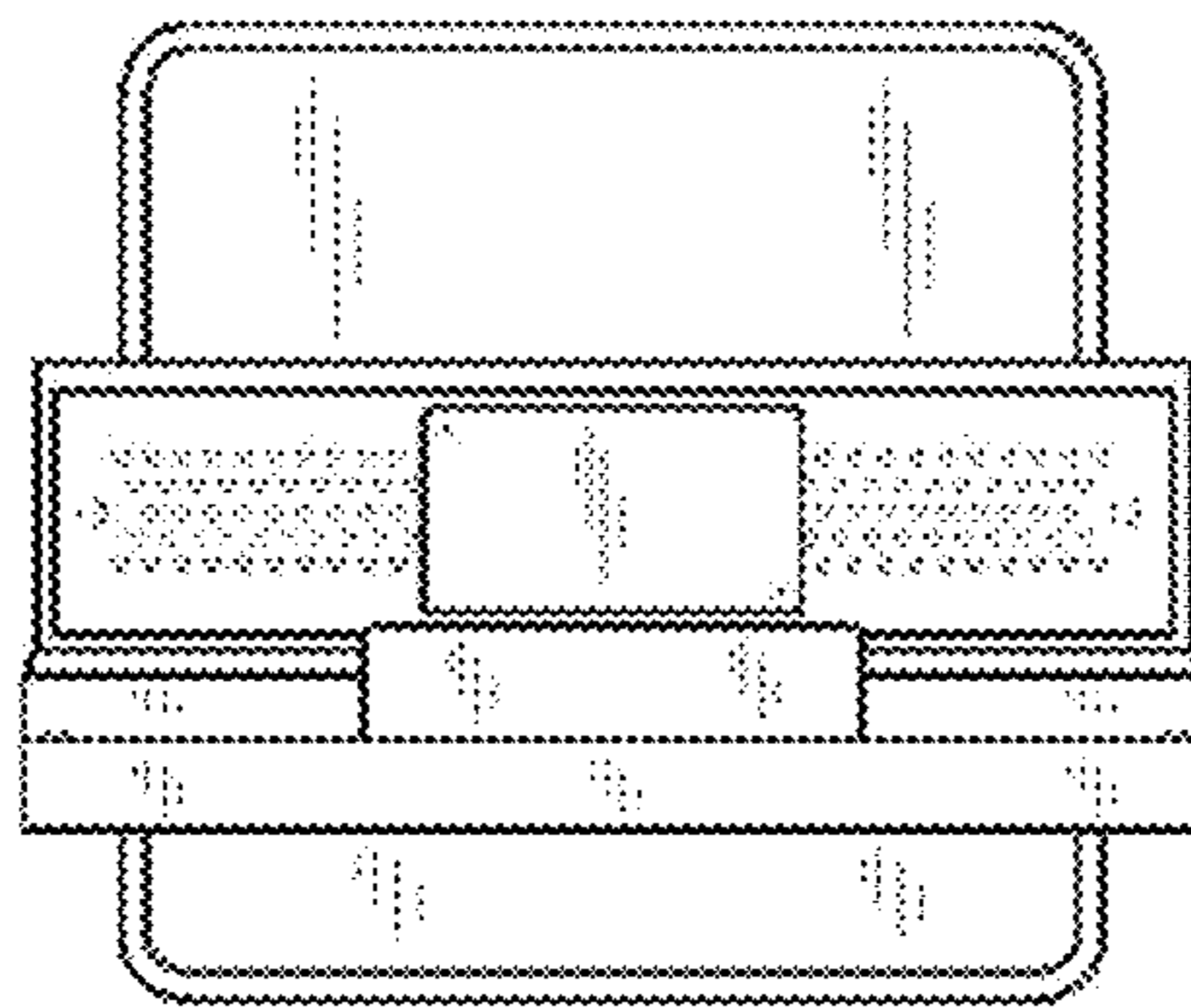
1.4



1.5



1.6



1.7

