



US00D902918S

(12) **United States Design Patent**
Friedli

(10) **Patent No.:** **US D902,918 S**

(45) **Date of Patent:** **** Nov. 24, 2020**

(54) **DISPLAY AND OPERATING PANELS**
(71) Applicant: **INVENTIO AG**, Hergiswil (CH)
(72) Inventor: **Tobias Friedli**, Baden (CH)
(73) Assignee: **INVENTIO AG**, Hergiswil (CH)

D842,296 S * 3/2019 Oross D14/307
D854,538 S * 7/2019 Szeredi D14/307
D857,007 S * 8/2019 Pitallano D14/307
D861,778 S * 10/2019 Day D18/4.4
D864,193 S * 10/2019 Oosawa D14/307
D873,262 S * 1/2020 Fernando D14/307

(**) Term: **15 Years**
(21) Appl. No.: **29/662,206**
(22) Filed: **Sep. 4, 2018**

FOREIGN PATENT DOCUMENTS

(30) **Foreign Application Priority Data**

CN 3175847 2/2001
CN 3524820 5/2006
CN 3539603 6/2006
CN 3613062 2/2007
CN 3628685 4/2007
CN 3631205 4/2007
CN 301953506 S 6/2012
CN 303604448 S 3/2016
CN 303862191 S 9/2016
CN 303911706 S 11/2016

Mar. 12, 2018 (CH) 143893

(51) **LOC (12) Cl.** **14-02**

(52) **U.S. Cl.**
USPC **D14/307**

(58) **Field of Classification Search**
USPC D14/302-307, 900-902; D13/163;
D20/10; D21/332, 325, 369, 370;
D99/28; D6/397, 466; 194/206;
361/679.01, 679.02, 679.04, 679.21,
361/679.57, 725

CPC G06Q 20/18; G06Q 20/10; G06Q 20/123;
G06Q 20/20; G06Q 30/02; G06Q 30/06;
A47F 9/047

See application file for complete search history.

(56) **References Cited**

U.S. PATENT DOCUMENTS

D518,480 S 4/2006 Zheng et al.
D589,829 S * 4/2009 Friedli D10/108
D589,831 S 4/2009 Friedli
D601,052 S 9/2009 Friedli
D799,471 S * 10/2017 Brown D14/307
D831,639 S * 10/2018 Terry D14/307
D836,625 S * 12/2018 Szeredi D14/307

(Continued)

Primary Examiner — Austin Murphy

(74) *Attorney, Agent, or Firm* — Chiesa Shshinian & Giantomasi PC

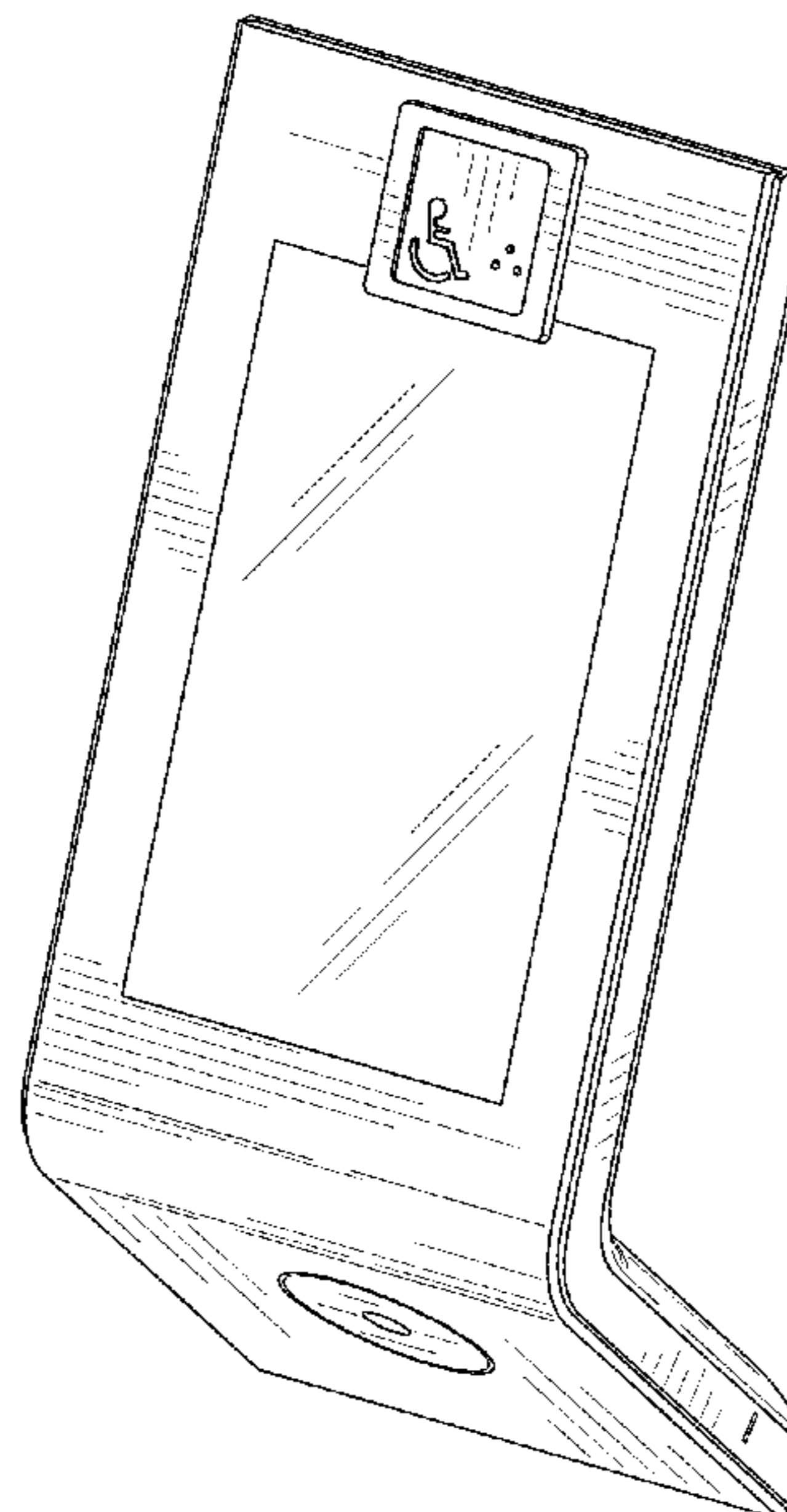
(57) **CLAIM**

The ornamental design for display and operating panels, as shown and described.

DESCRIPTION

FIG. 1 is a front perspective view of a display and operating panels according to our design;
FIG. 2 is a front view thereof;
FIG. 3 is a rear view thereof;
FIG. 4 is a right side view thereof;
FIG. 5 is a left side view thereof;
FIG. 6 is a top view thereof; and,
FIG. 7 is a bottom view thereof.
The broken lines shown in the drawings are for illustrative purposes and do not form part of the claimed design.

1 Claim, 4 Drawing Sheets



(56)

References Cited

FOREIGN PATENT DOCUMENTS

JP	1204903 S	5/2004
JP	1337687 S	8/2008
JP	1337688 S	8/2008
JP	1337782 S	8/2008
JP	1442605 S	6/2012
JP	1541771 S	1/2016
JP	1545212 S	3/2016
KR	30-2003000-0599	5/2003
KR	30-0570064-0000	8/2010
KR	30-0684612-0000	3/2013
KR	30-0684616-0000	3/2013
KR	30-0804263-0001	7/2015
KR	30-0804263-0003	7/2015
KR	30-0804263-0002	8/2015
WO	DM063581	3/2008

* cited by examiner

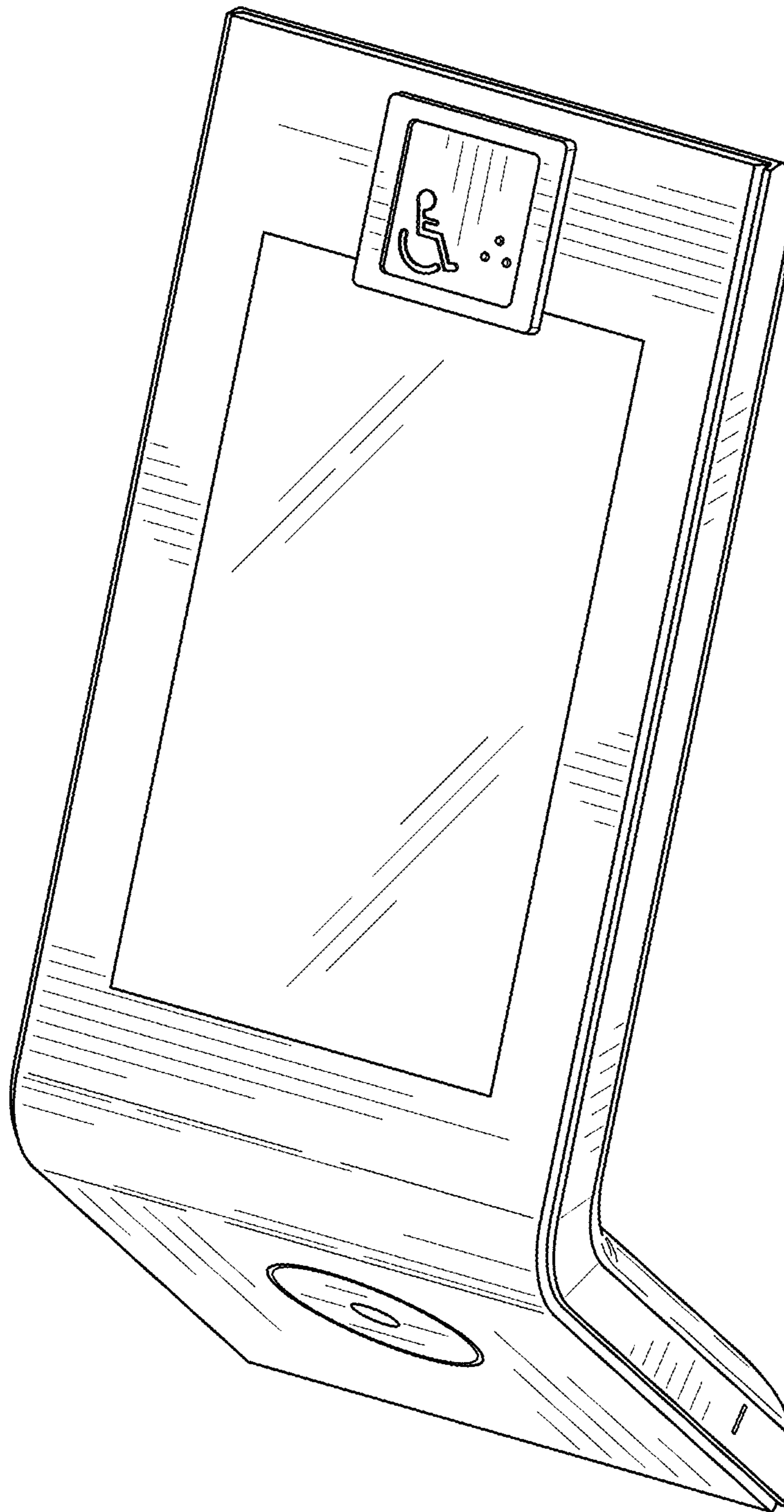


FIG. 1

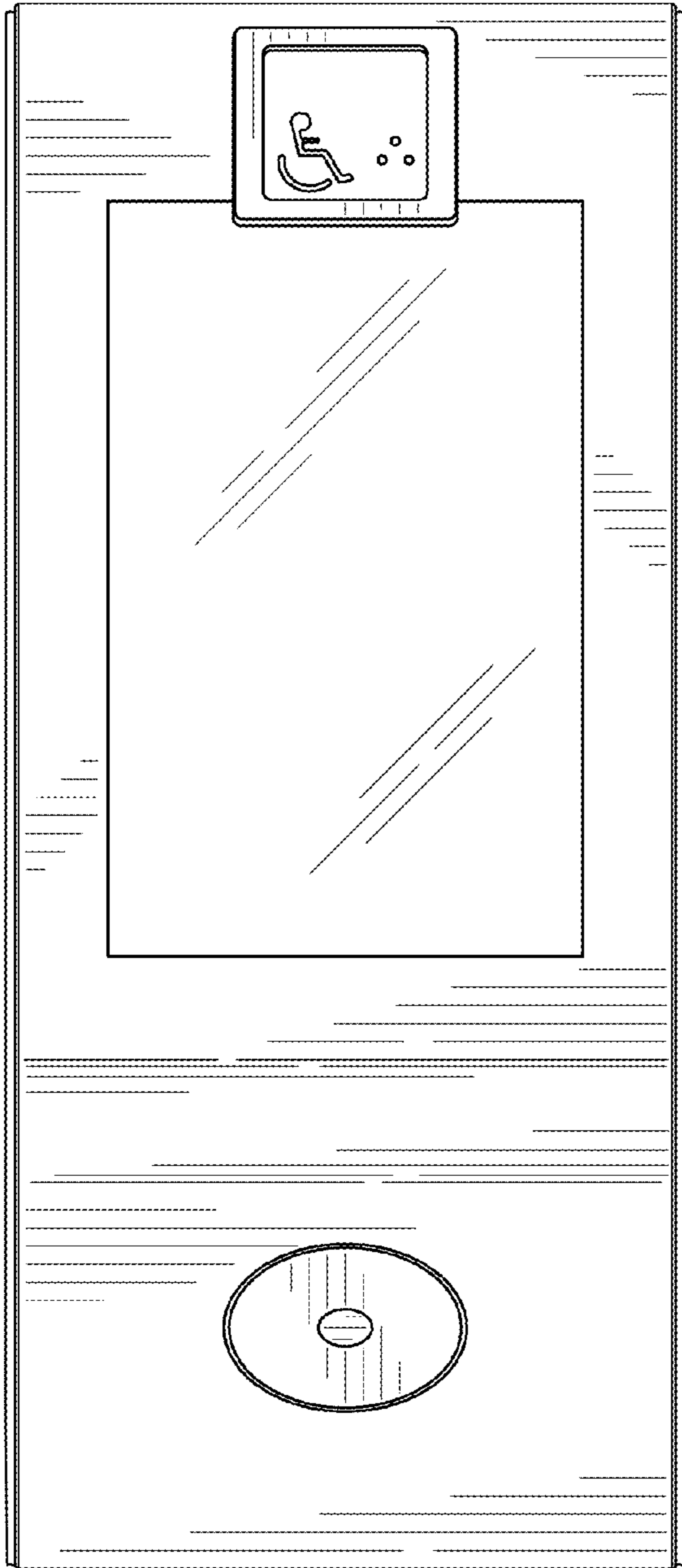


FIG. 2

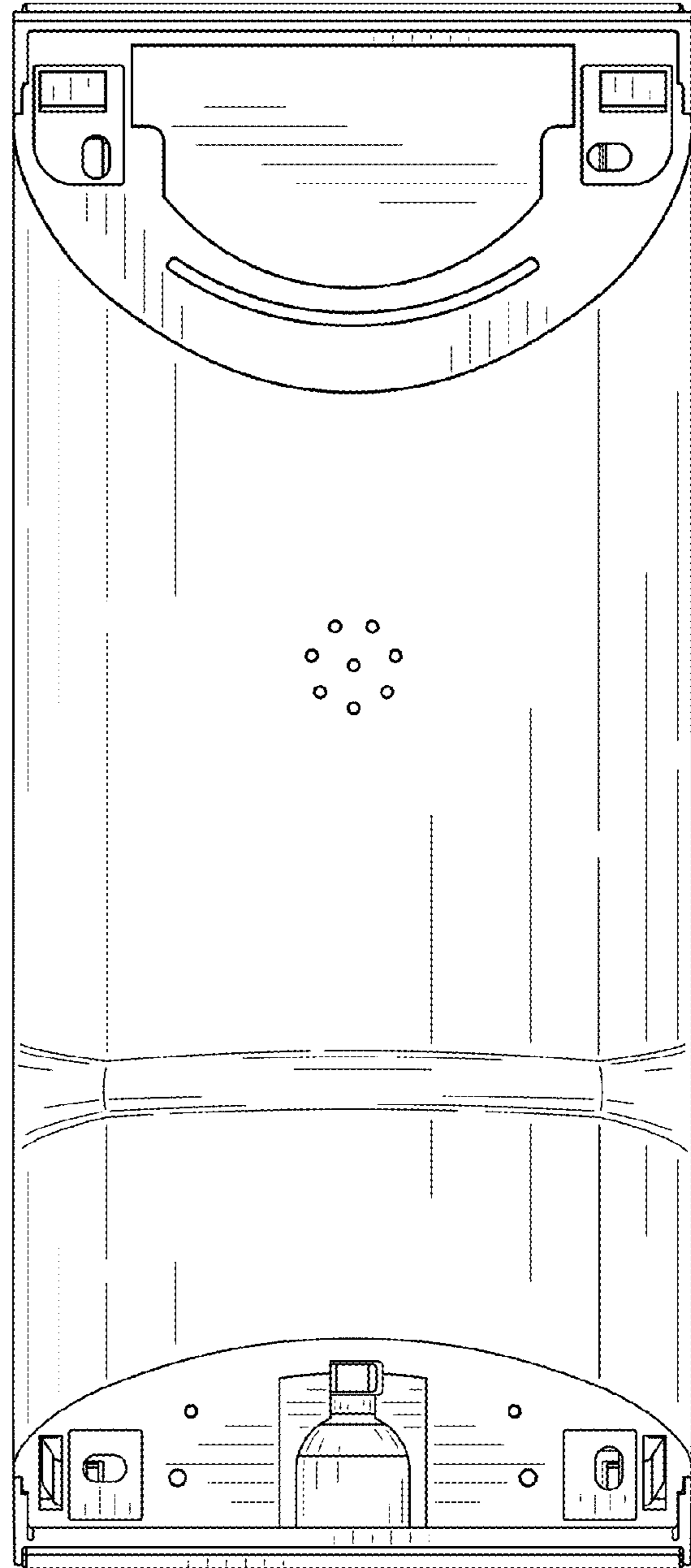


FIG. 3

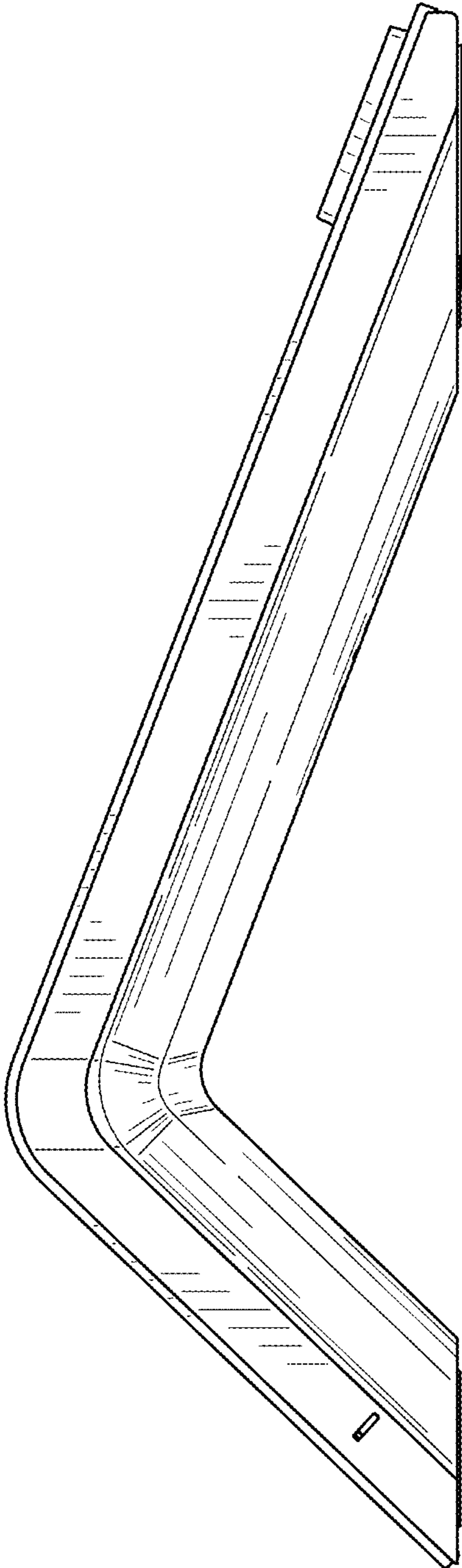


FIG. 4

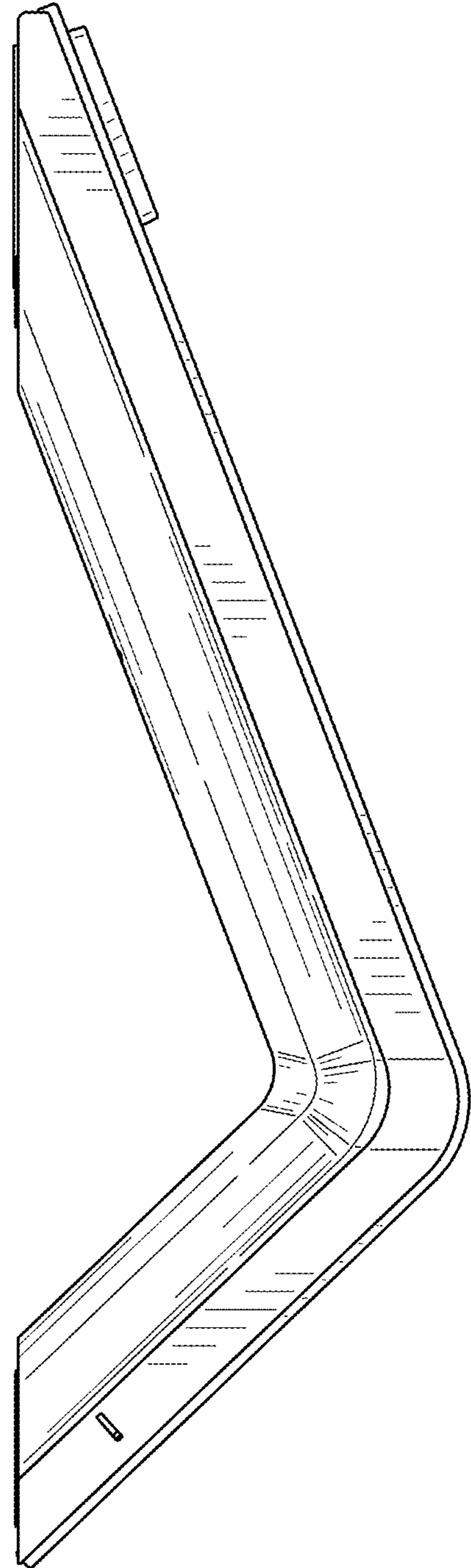


FIG. 5

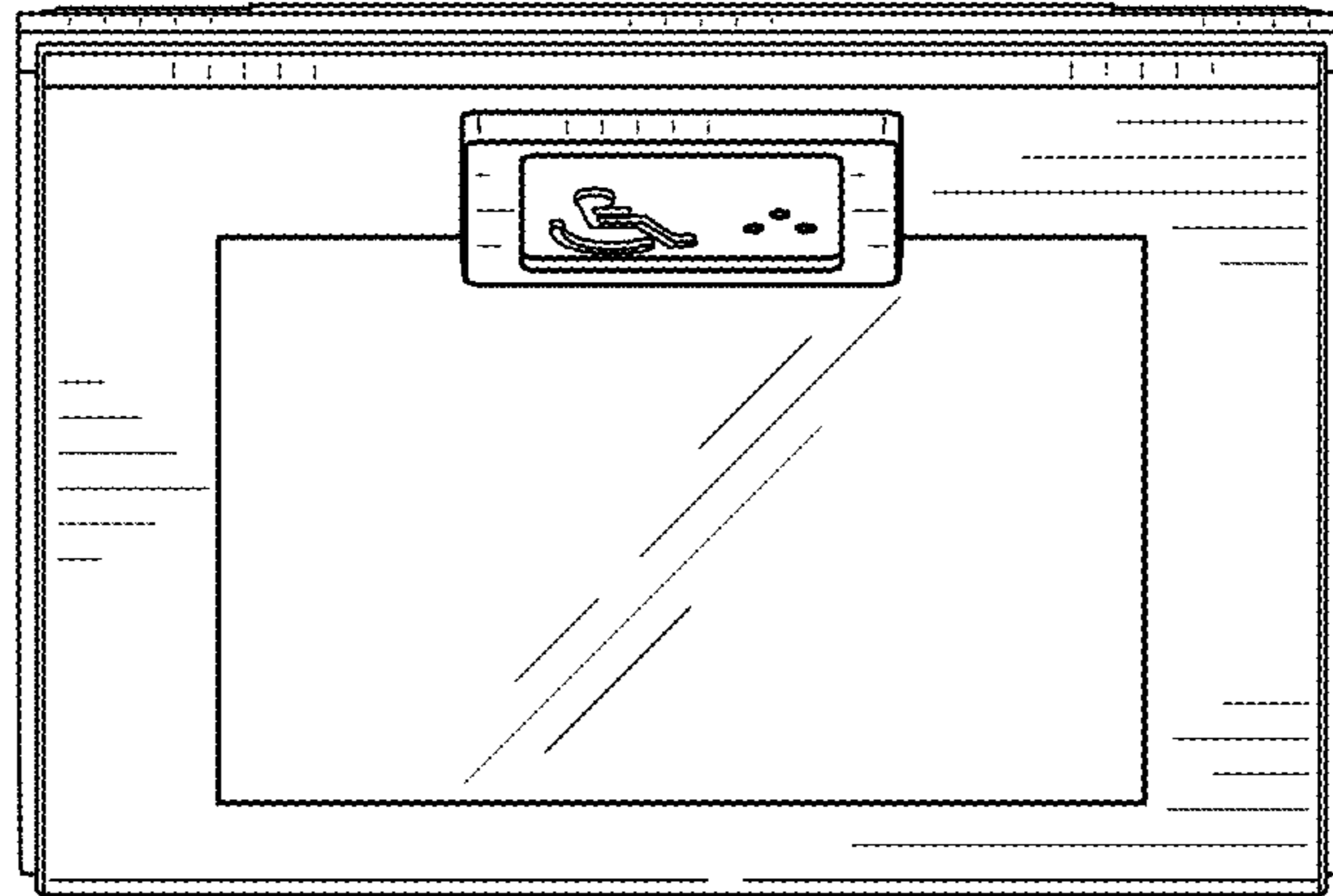


FIG. 6

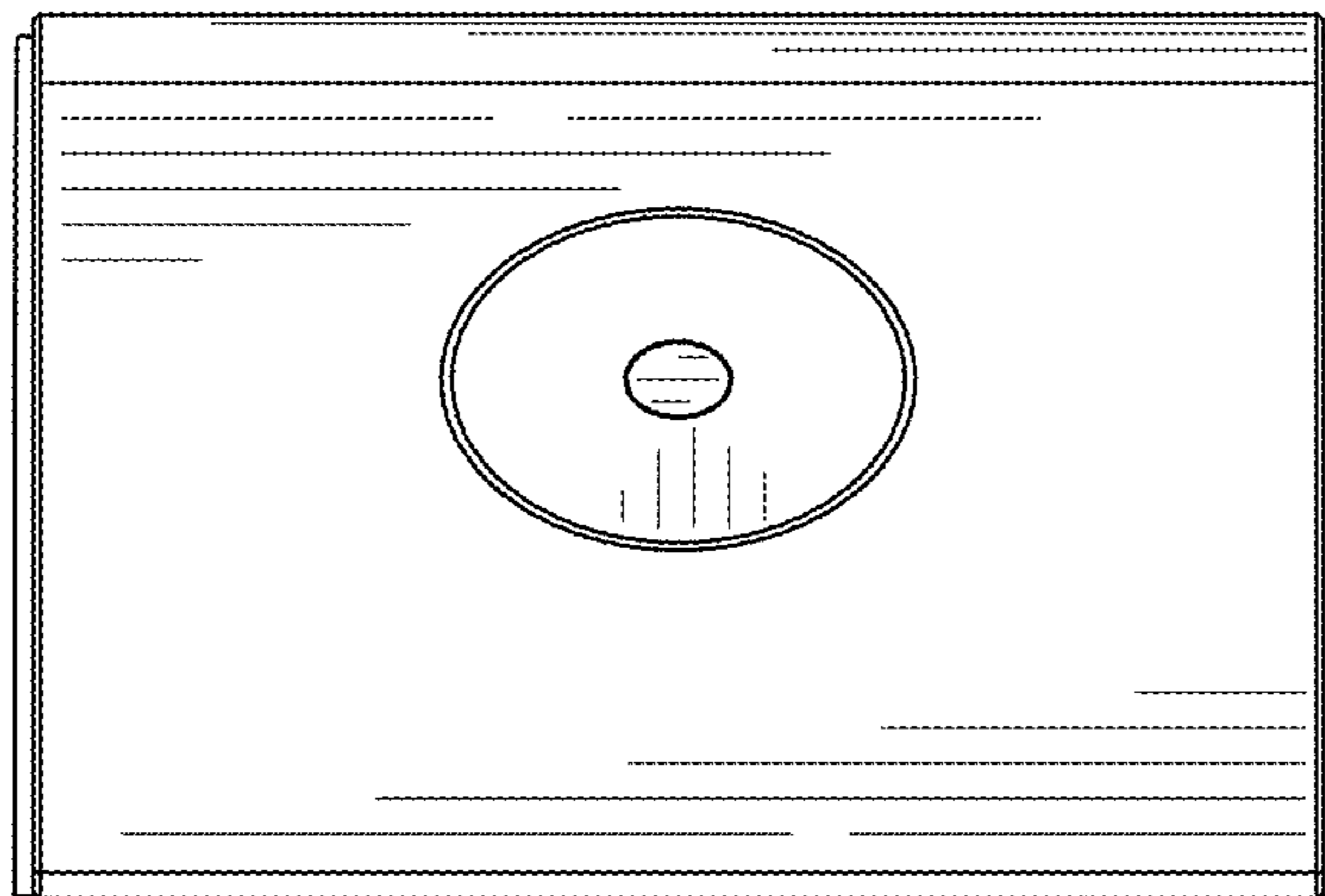


FIG. 7