

US00D902917S

(12) **United States Design Patent**
Sakata

(10) **Patent No.:** **US D902,917 S**

(45) **Date of Patent:** **** Nov. 24, 2020**

(54) **DIGITAL AUDIO DISC PLAYER FOR
AUTOMOBILE**

(71) Applicant: **JVCKENWOOD Corporation,**
Yokohama (JP)

(72) Inventor: **Yu Sakata,** Yokohama (JP)

(73) Assignee: **JVCKENWOOD Corporation,**
Yokohama (JP)

(**) Term: **15 Years**

(21) Appl. No.: **29/706,659**

(22) Filed: **Sep. 23, 2019**

(30) **Foreign Application Priority Data**

Jun. 25, 2019 (JP) 2019-014073

(51) **LOC (12) Cl.** **14-03**

(52) **U.S. Cl.**
USPC **D14/258**

(58) **Field of Classification Search**
USPC D12/192, 195, 415, 420; D14/496,
D14/498-511, 137, 154, 157, 168-171,
D14/188-198, 257-258; 248/27.1, 27.3,
248/558; 455/347, 350
CPC B60R 11/02; B60K 37/04; B60K 37/06;
B60K 35/00; H04B 1/08; H04B 1/082
See application file for complete search history.

(56) **References Cited**

U.S. PATENT DOCUMENTS

D565,535 S * 4/2008 Muto D14/157
D567,812 S * 4/2008 Kimura D14/258

D602,928 S * 10/2009 Kimura D14/157
D637,993 S * 5/2011 Yamamoto D14/157
D671,906 S * 12/2012 Kimura D14/157
D672,743 S * 12/2012 Suzuki D14/157
D682,261 S * 5/2013 Miyawaki D14/258
D704,694 S * 5/2014 Takahashi D14/258
D704,696 S * 5/2014 Kimura D14/258
D704,698 S * 5/2014 Morikawa D14/258
D722,585 S * 2/2015 Suzuki D14/157
D775,119 S * 12/2016 Kimura D14/258
D775,121 S * 12/2016 Suzuki D14/258
D817,320 S * 5/2018 Choe D14/258

* cited by examiner

Primary Examiner — Sandra L Morris

(74) *Attorney, Agent, or Firm* — Amin, Turocy & Watson,
LLP

(57) **CLAIM**

The ornamental design for a digital audio disc player for automobile, as shown and described.

DESCRIPTION

FIG. 1 is a perspective view of a digital audio disc player for automobile;
FIG. 2 is a front elevation view thereof;
FIG. 3 is a rear elevation view thereof;
FIG. 4 is a top plan view thereof;
FIG. 5 is a bottom plan view thereof;
FIG. 6 is a right side elevation view thereof; and,
FIG. 7 is a left side elevation view thereof.
The broken lines shown in the drawings illustrate portions of the digital audio disc player for automobile that form no part of the claimed design.

1 Claim, 7 Drawing Sheets

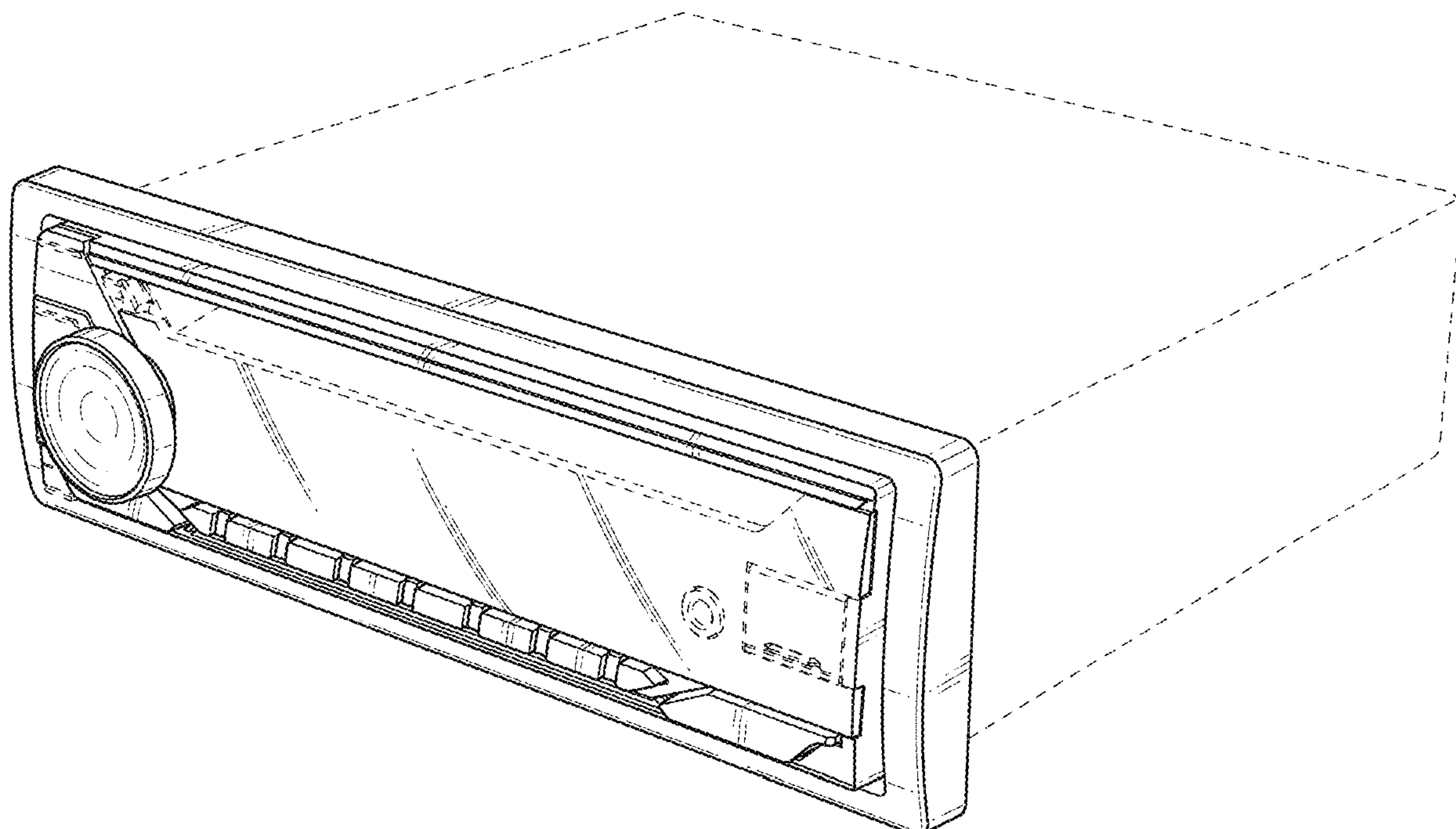


FIG. 1

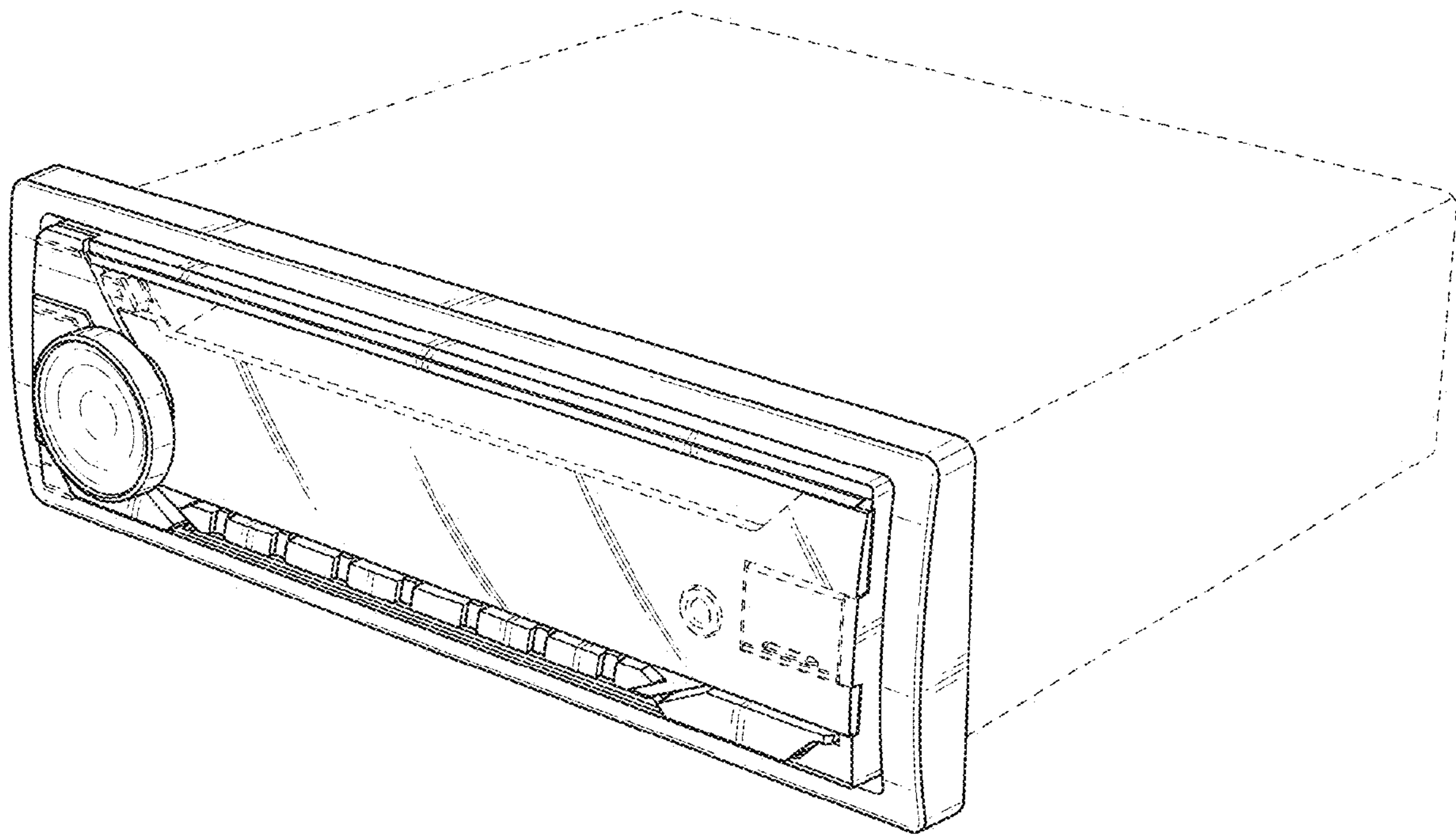


FIG. 2

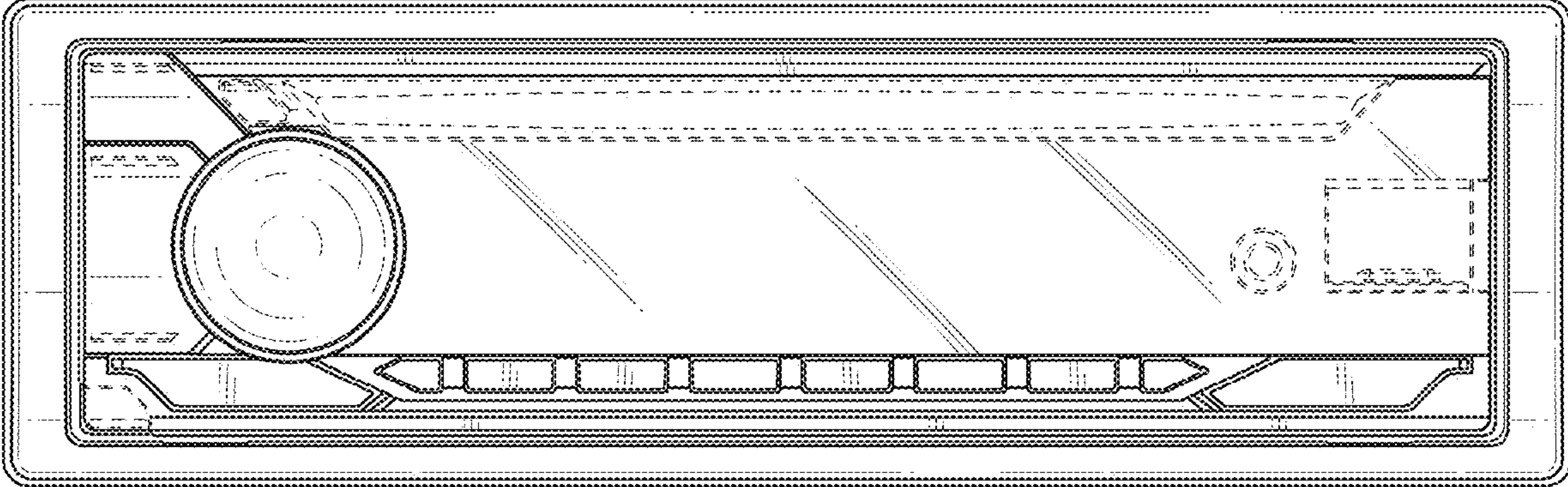


FIG. 3

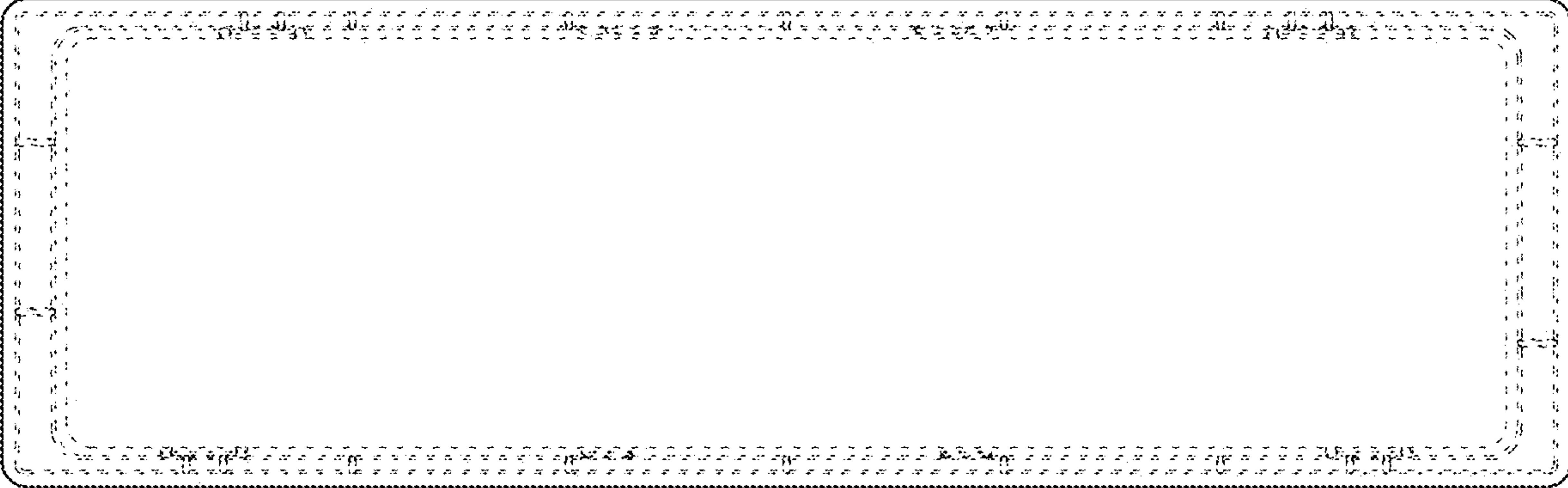


FIG. 4

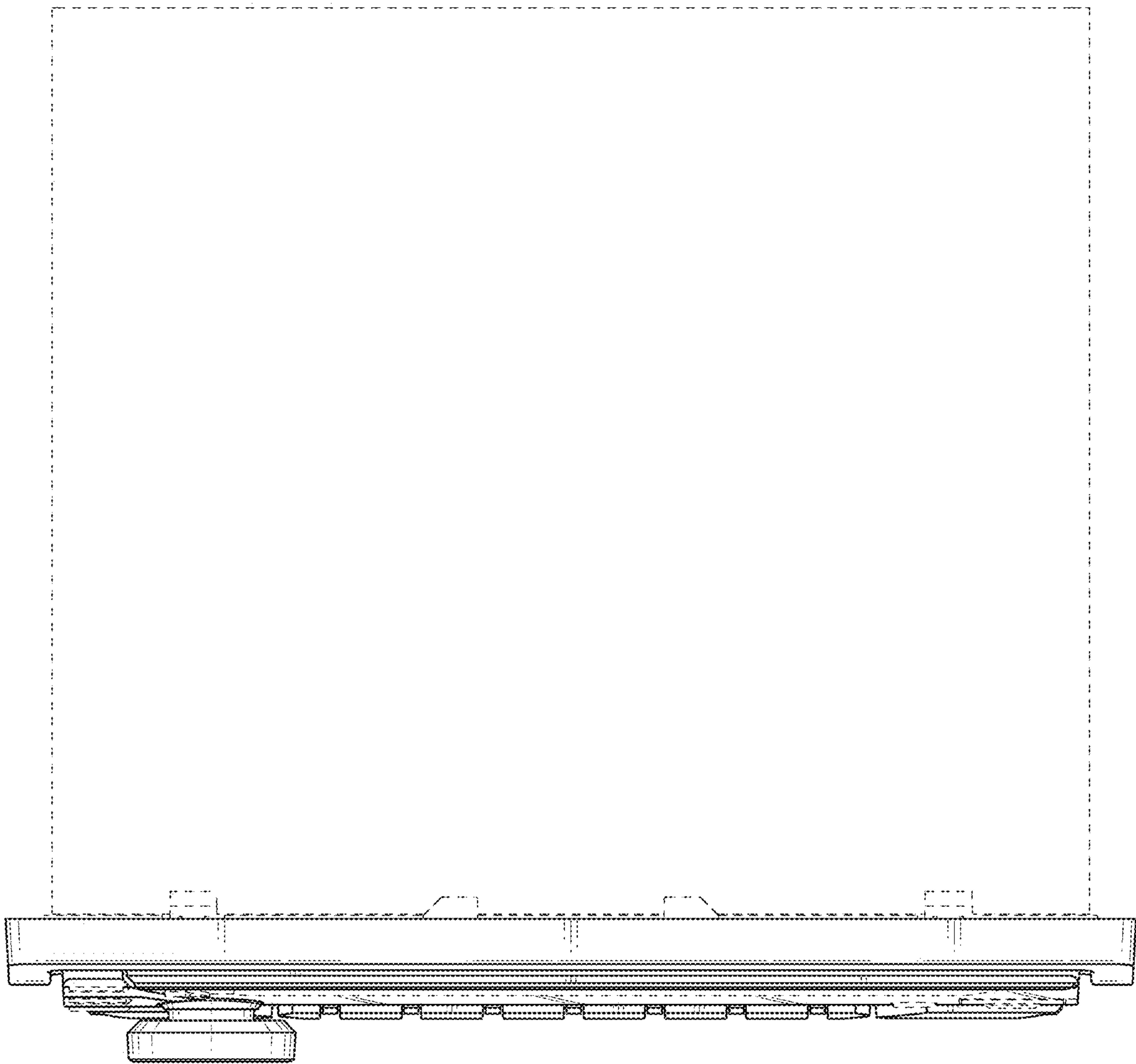


FIG. 5

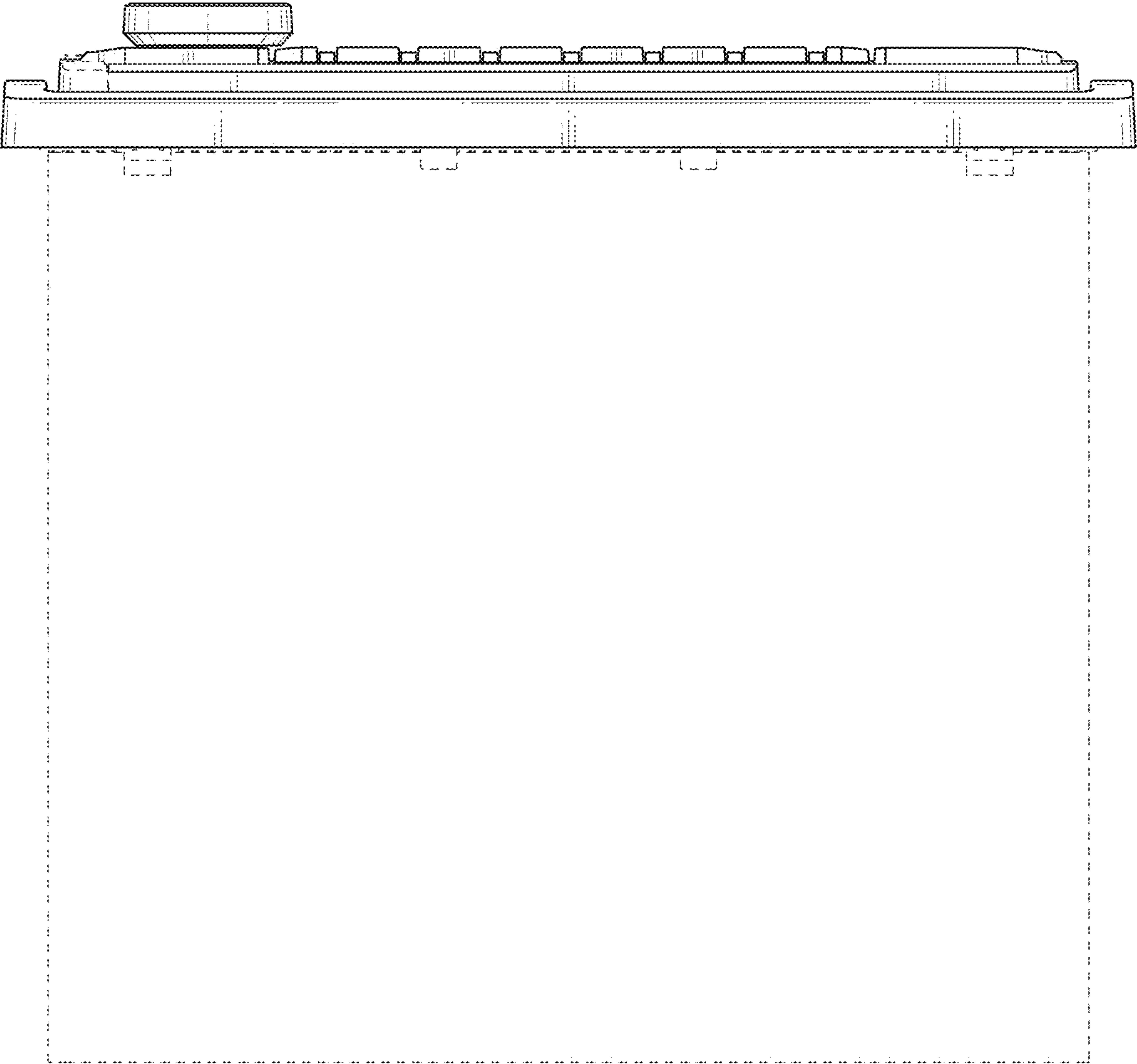


FIG. 6



FIG. 7

