



US00D902915S

(12) **United States Design Patent**
Shi

(10) **Patent No.:** **US D902,915 S**

(45) **Date of Patent:** **** Nov. 24, 2020**

(54) **PHONE HOLDER**

(71) Applicant: **Shenzhen Ouyefei Technology Co., Ltd.**, Shenzhen (CN)

(72) Inventor: **Xiaohong Shi**, Shenzhen (CN)

(**) Term: **15 Years**

(21) Appl. No.: **29/738,040**

(22) Filed: **Jun. 15, 2020**

(51) **LOC (12) Cl.** **13-02**

(52) **U.S. Cl.**
USPC **D14/253**

(58) **Field of Classification Search**
USPC D14/251–253, 358, 432, 434, 440, 447;
D3/218; D16/242, 243; D12/415;
D13/107, 108
CPC A45C 11/00; A45F 5/00; F16M 11/06
See application file for complete search history.

(56) **References Cited**

U.S. PATENT DOCUMENTS

D319,061 S *	8/1991	Powell	D14/240
D367,651 S *	3/1996	Hellier	D13/108
D494,963 S	8/2004	Schwimmer		
D674,381 S *	1/2013	Ma	D14/253
D717,783 S *	11/2014	Gelsomini	D14/253

D789,294 S *	6/2017	Yue	D13/108
D799,463 S *	10/2017	Deng	D14/252
D826,851 S *	8/2018	Wang	D13/108
D873,216 S *	1/2020	Zhang	D13/108

* cited by examiner

Primary Examiner — Janice Hallmark

(74) *Attorney, Agent, or Firm* — ZANIP

(57) **CLAIM**

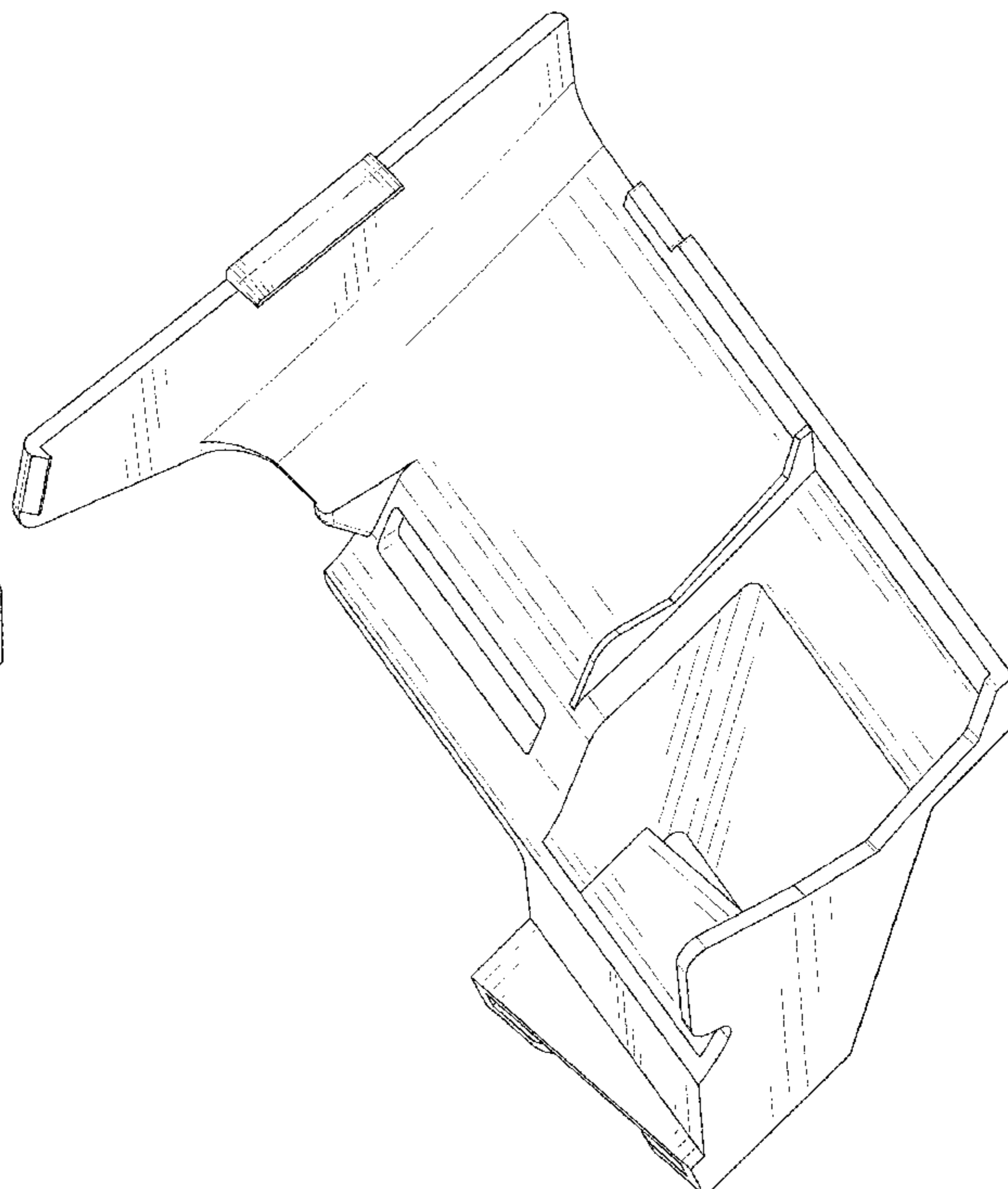
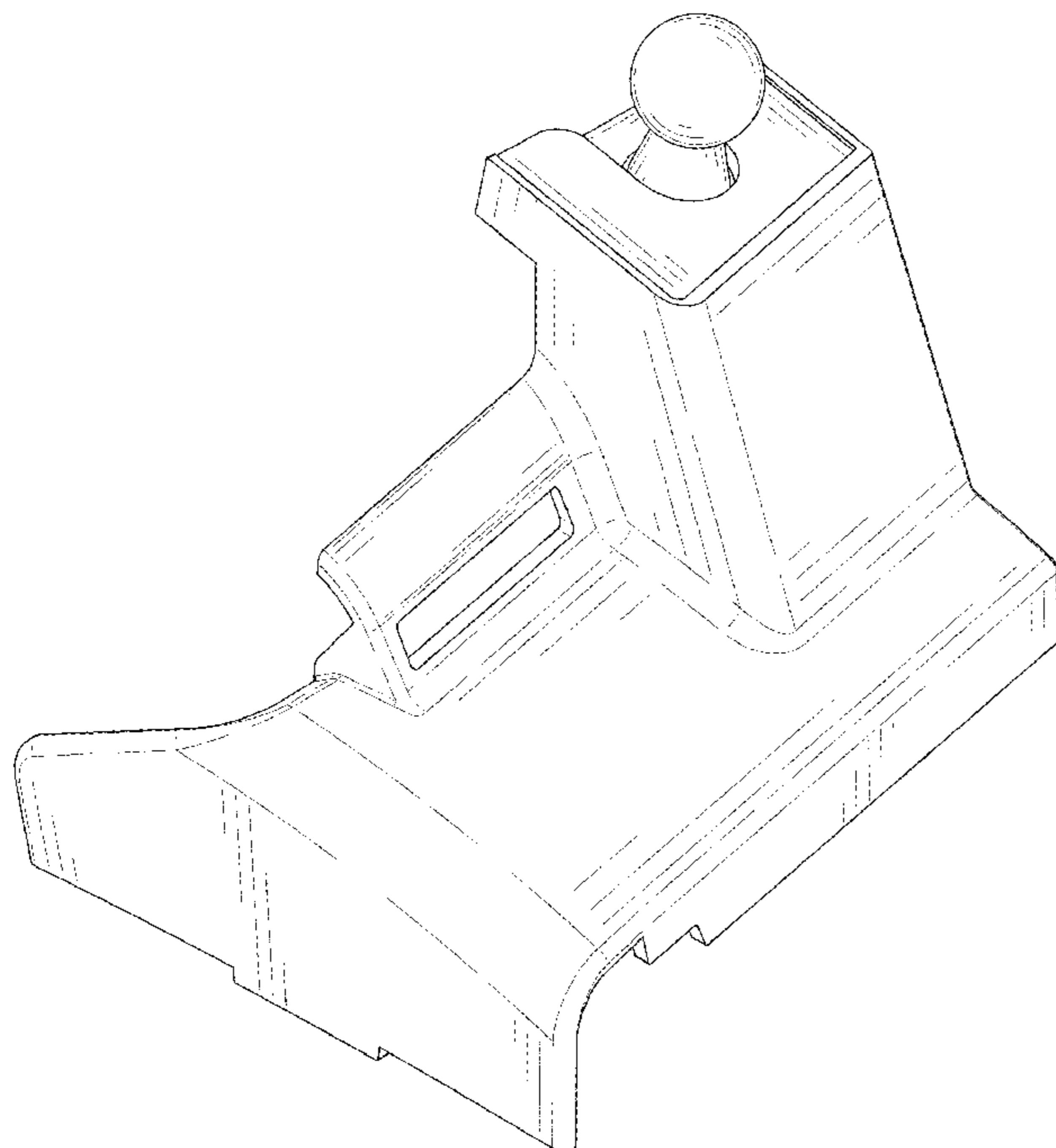
The ornamental design for a phone holder, as shown and described.

DESCRIPTION

FIG. 1 is a front and top perspective view of a phone holder, showing my new design;
FIG. 2 is a rear and bottom perspective view thereof;
FIG. 3 is a front elevational view thereof;
FIG. 4 is a rear elevational view thereof;
FIG. 5 is a left side elevational view thereof;
FIG. 6 is a right side elevational view thereof;
FIG. 7 is a top plan view thereof; and,
FIG. 8 is a bottom plan view thereof.

The broken lines in the figures illustrate portions of the article that form no part of the claimed design.

1 Claim, 8 Drawing Sheets



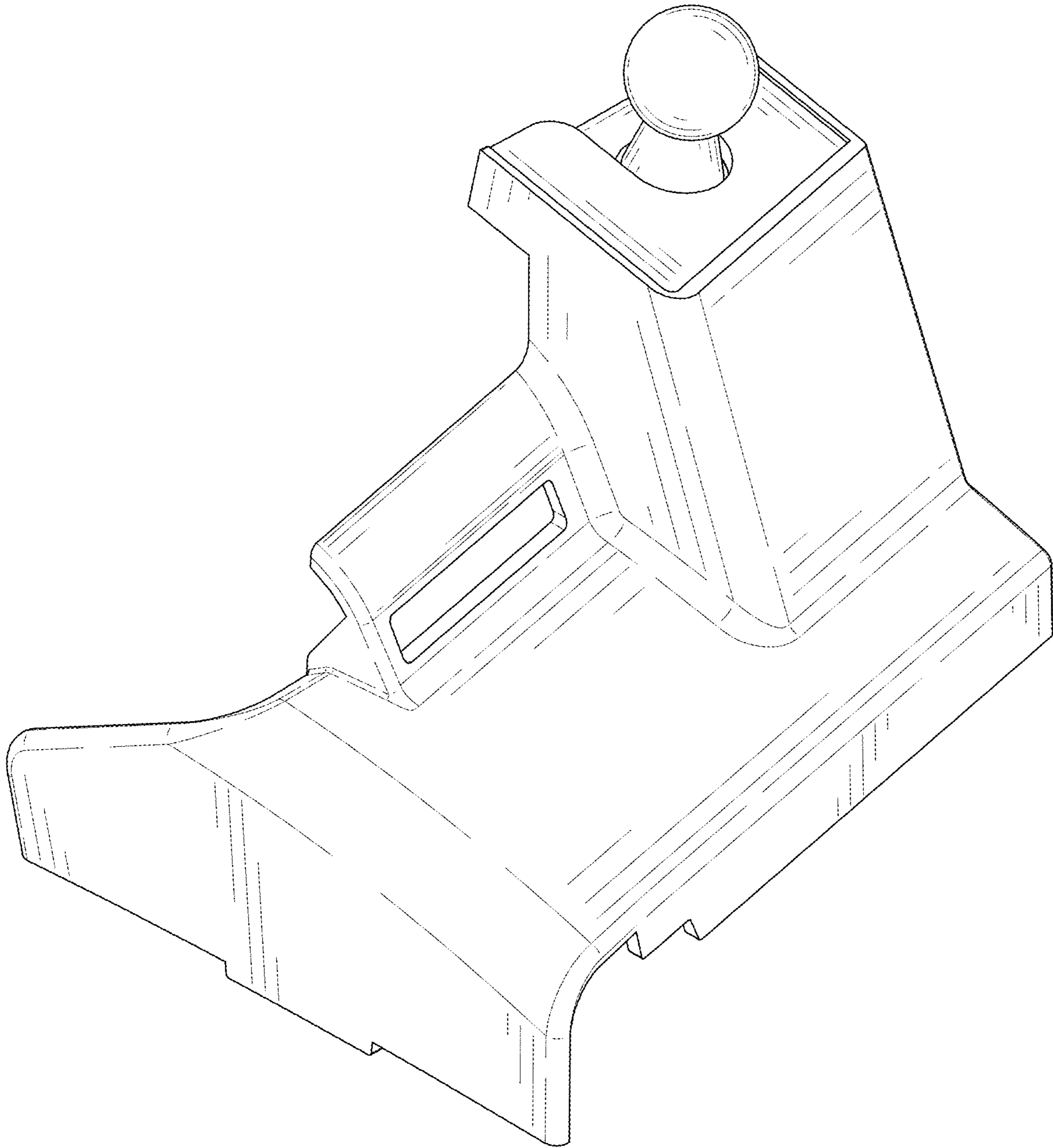


FIG. 1

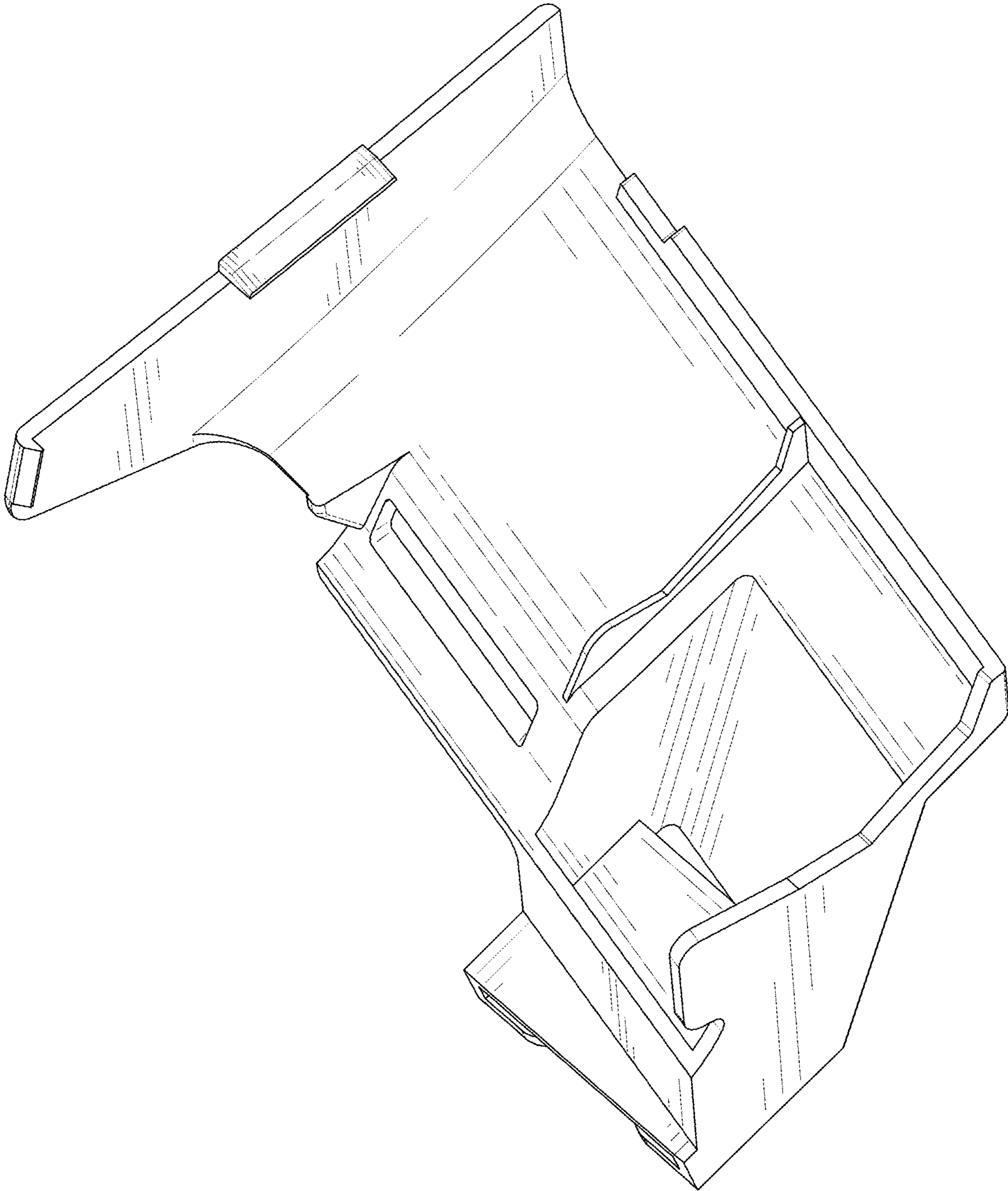


FIG. 2

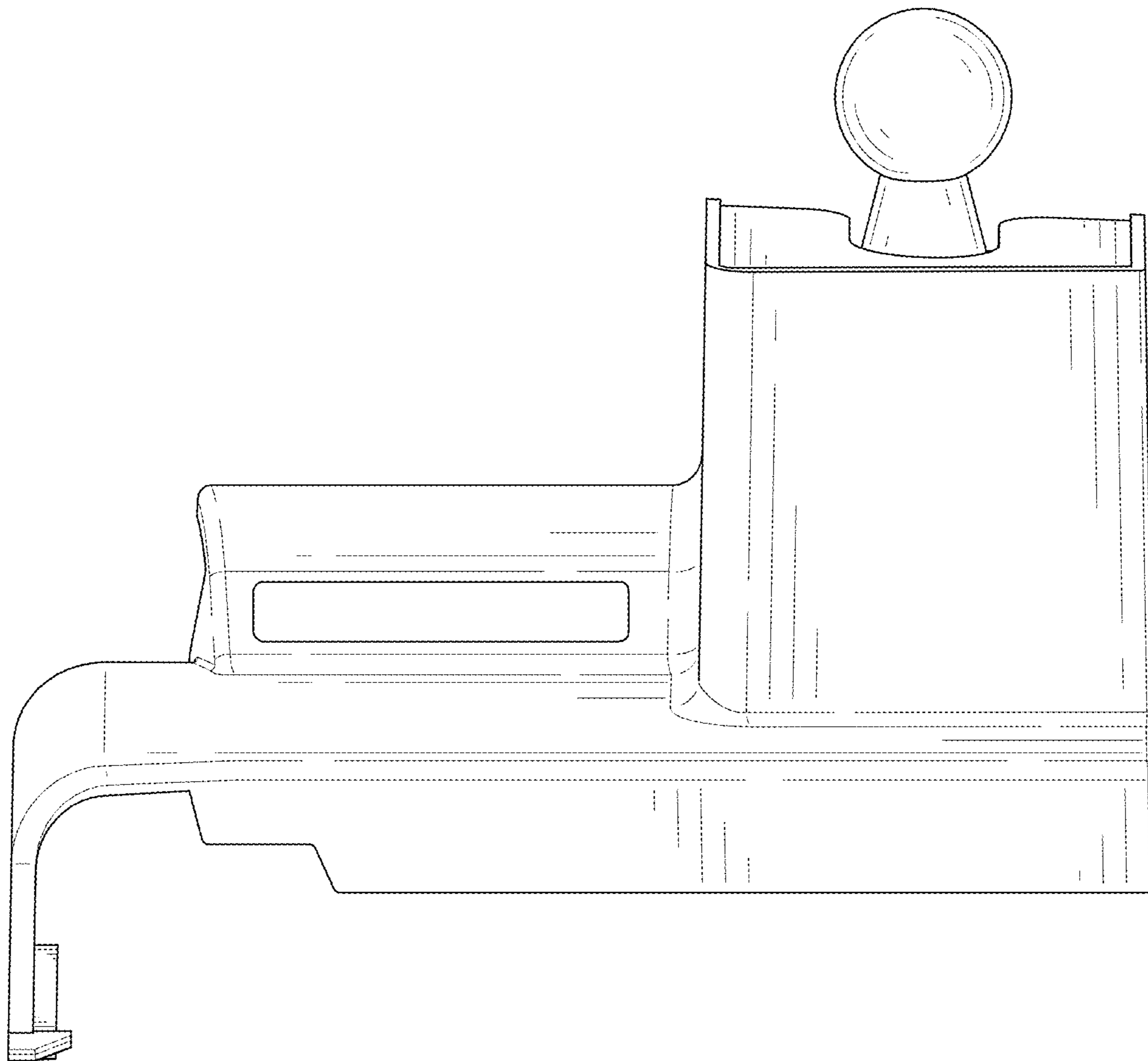


FIG. 3

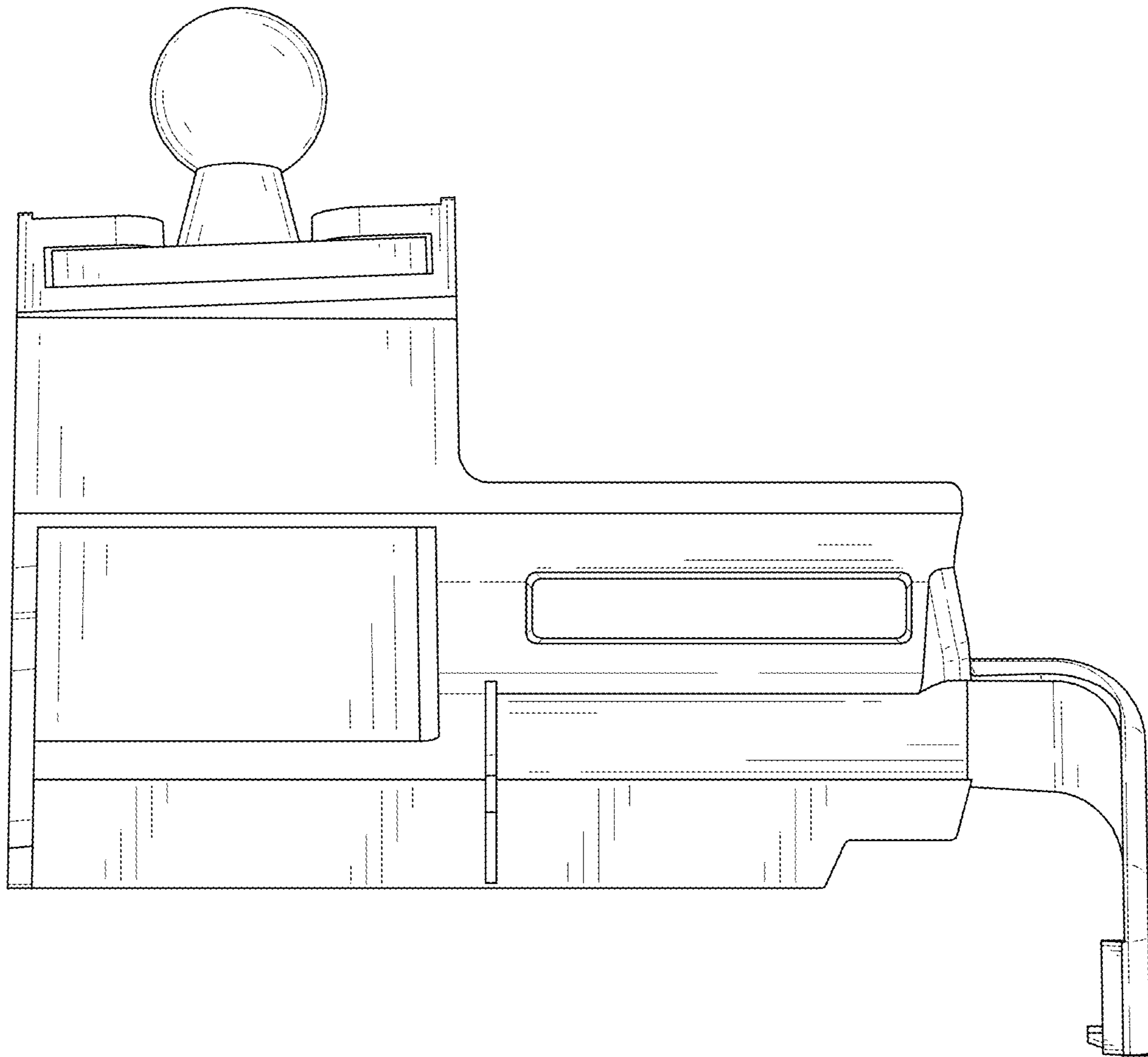


FIG. 4

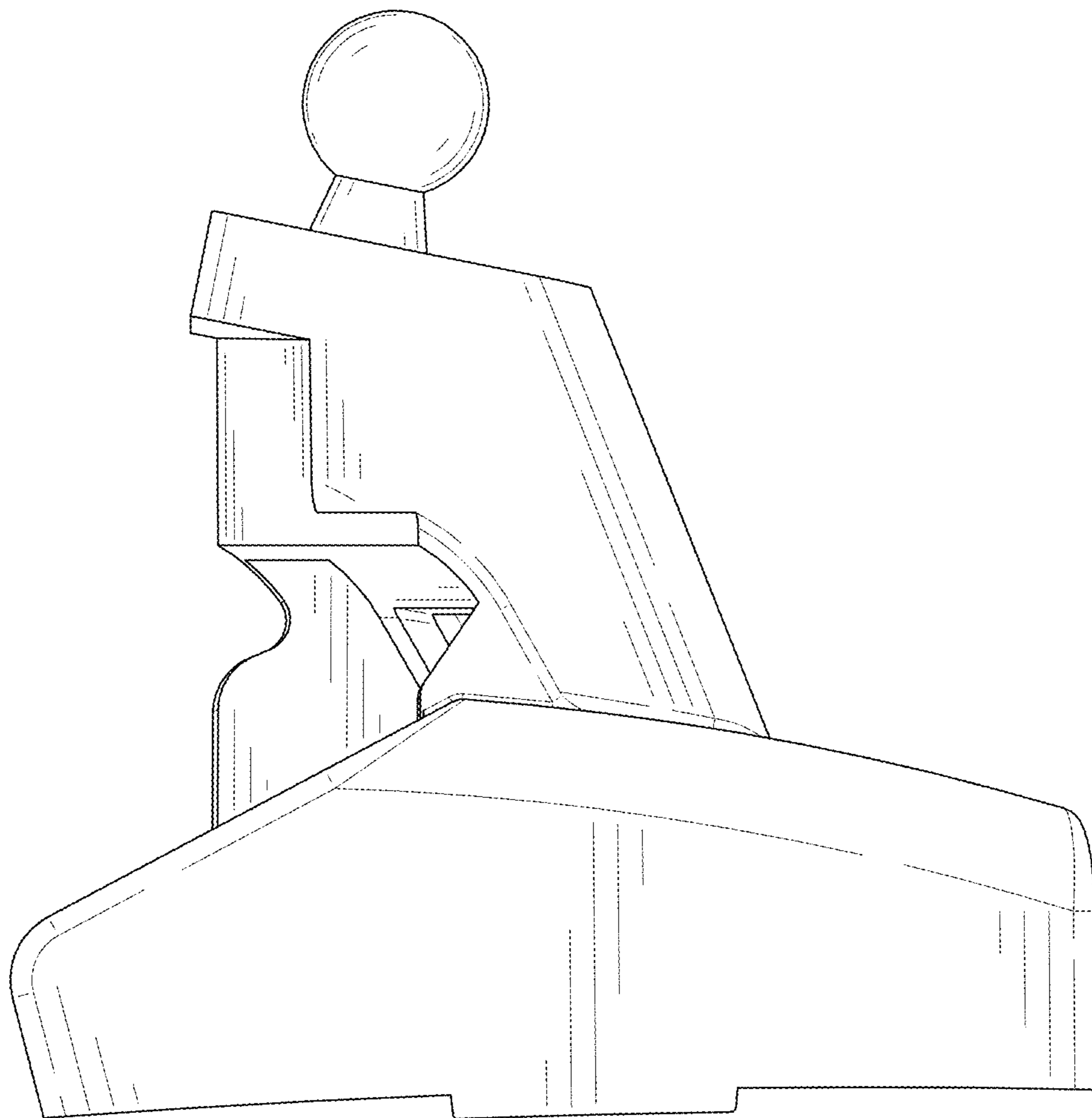


FIG. 5

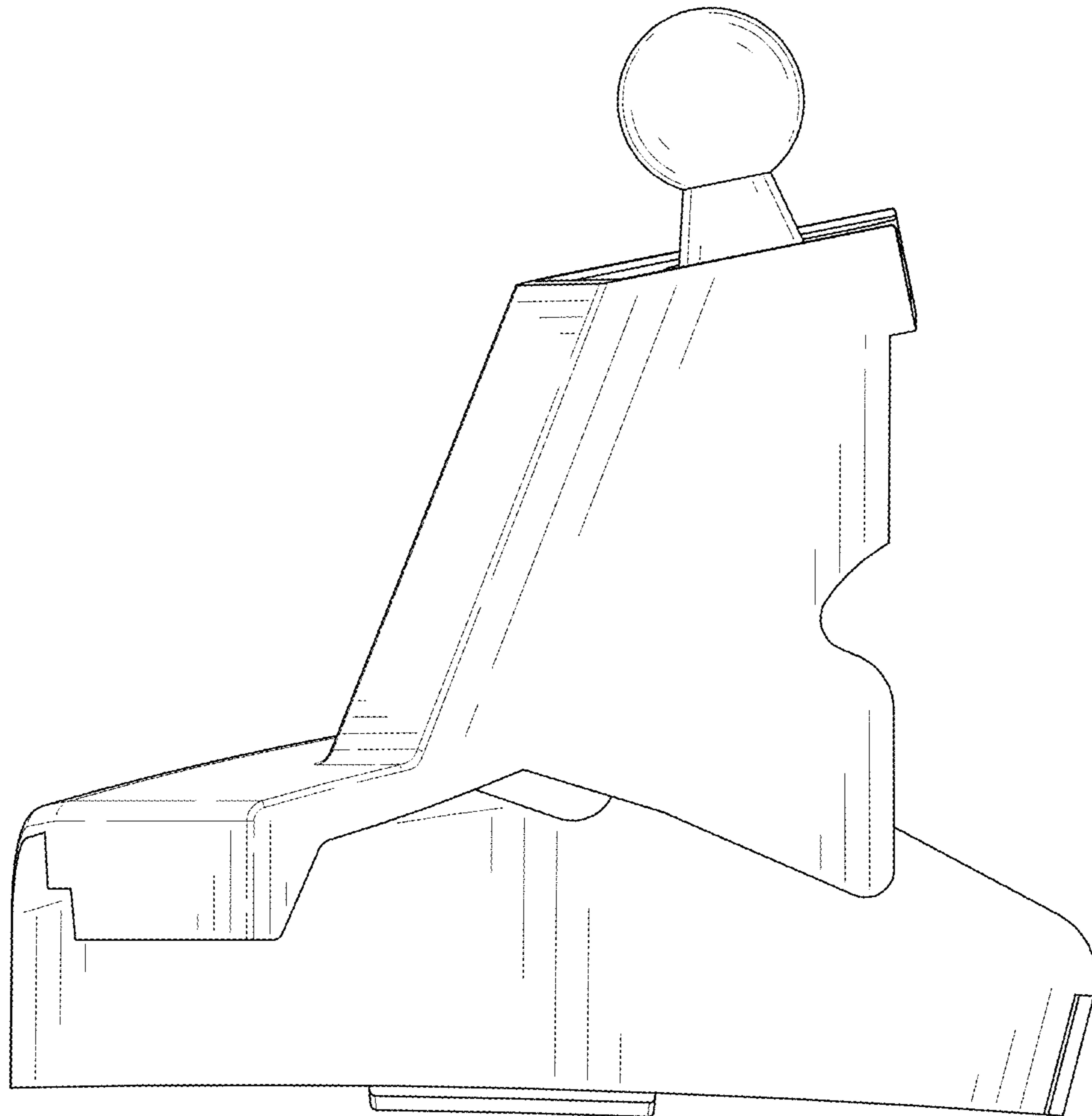


FIG. 6

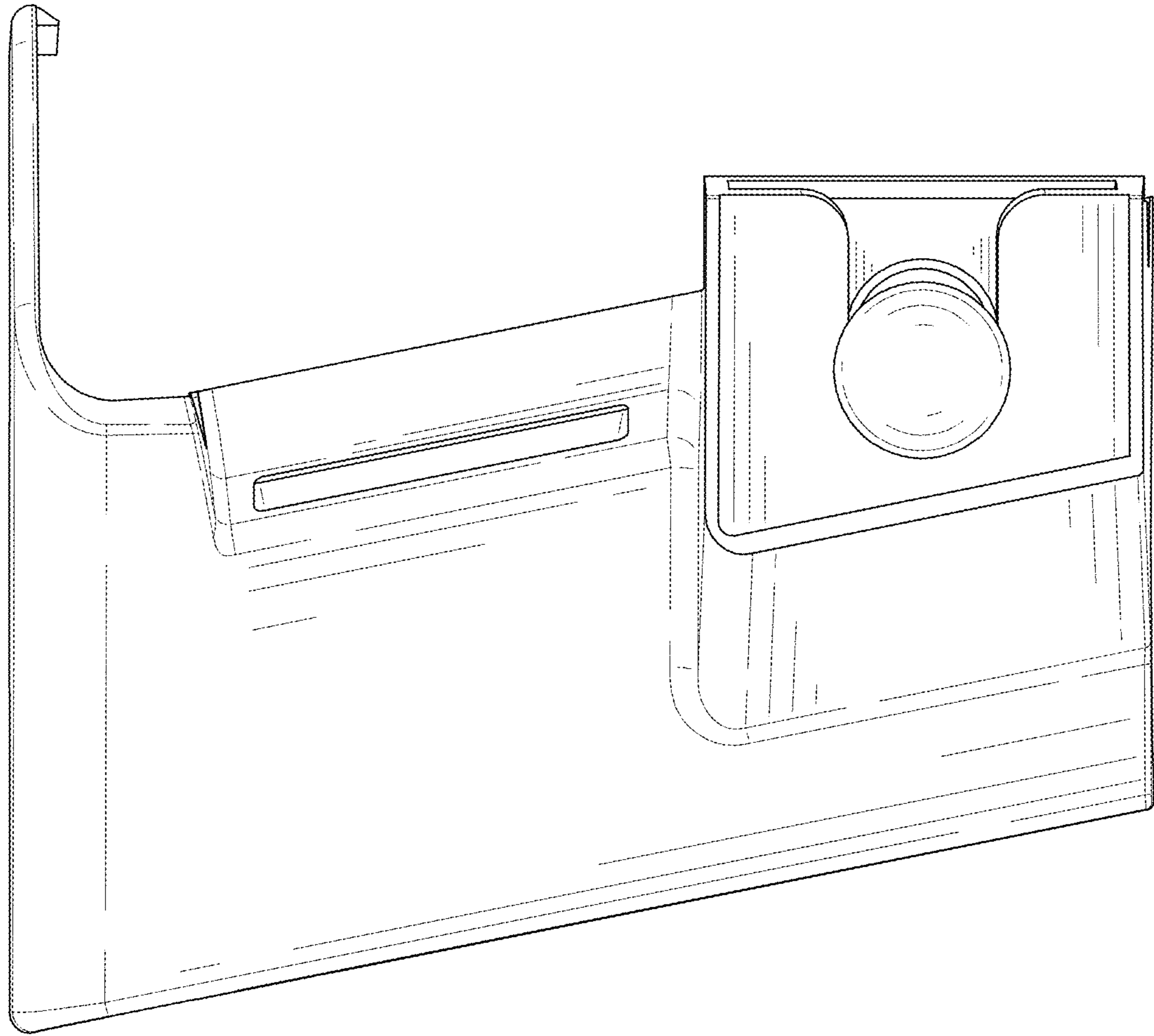


FIG. 7

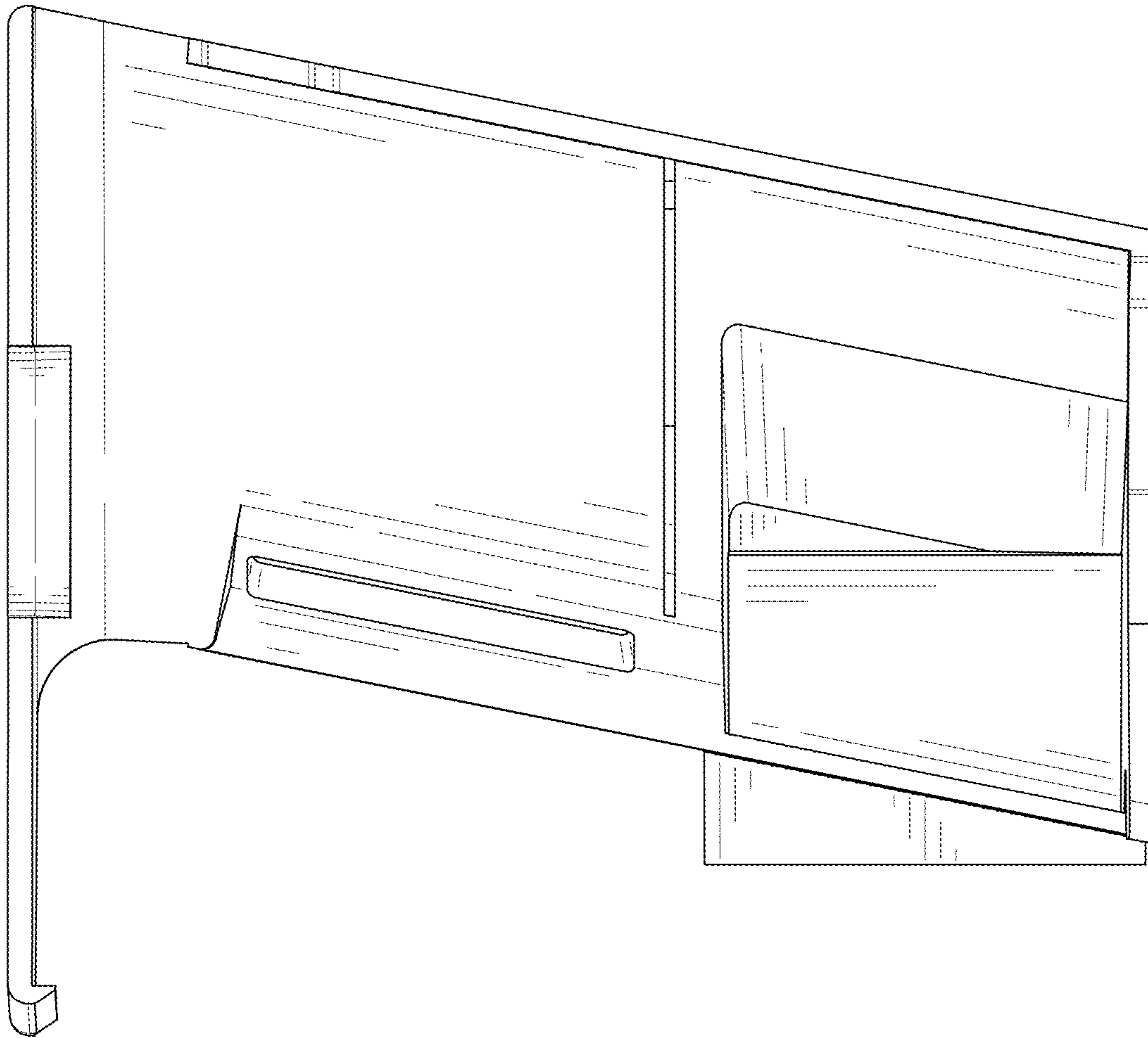


FIG. 8