



US00D902912S

(12) **United States Design Patent**
Kim et al.

(10) **Patent No.:** **US D902,912 S**

(45) **Date of Patent:** **** Nov. 24, 2020**

(54) **CASE FOR MOBILE PHONE**

(71) Applicant: **Samsung Electronics Co., Ltd.**,
Suwon-si (KR)

(72) Inventors: **Byoungjin Kim**, Seoul (KR);
Jung-Hyun Choi, Seoul (KR);
Woohyeok Jeong, Seoul (KR);
Junyong Song, Seongnam-si (KR)

(73) Assignee: **SAMSUNG ELECTRONICS CO., LTD.**,
Suwon-si (KR)

(**) Term: **15 Years**

(21) Appl. No.: **29/668,540**

(22) Filed: **Oct. 31, 2018**

(30) **Foreign Application Priority Data**

May 4, 2018 (KR) 30-2018-0020868

(51) **LOC (12) Cl.** **14-03**

(52) **U.S. Cl.**
USPC **D14/250**

(58) **Field of Classification Search**
USPC D3/201, 212, 218, 226, 227, 247, 249,
D3/250, 269, 303; D13/103, 107, 108,
D13/119; D14/137, 138 R, 138 AA,
D14/138 C, 138 G, 172, 192,
D14/203.3–203.7, 217, 238.1, 247, 248,
D14/250–253, 434, 440, 447, 496
CPC H04B 1/3888; H04M 1/0283; H04M
1/0202; A45C 1/06; A45C 2011/002;
A45C 11/00; A45F 2005/028; A45F
2200/0525

See application file for complete search history.

(56) **References Cited**

U.S. PATENT DOCUMENTS

D453,749 S * 2/2002 Lee D14/138 AB
6,974,080 B1 * 12/2005 Goggins G06K 19/06046
235/462.01

D648,332 S * 11/2011 Kim D14/248
D654,460 S * 2/2012 Kim D14/138 G
D659,691 S * 5/2012 Kim D14/250
D673,147 S * 12/2012 Tang D14/341

(Continued)

OTHER PUBLICATIONS

Samsung Galaxy Note 9 Case, Rugged Military Grade [protective cover, publication date Aug. 10, 2018, [online][site visited Sep. 30, 2020] URL: <https://www.amazon.com/Samsung-Galaxy-Military-Protective-Kickstand/dp/B07F1ZXBS3> (Year: 2018).*

(Continued)

Primary Examiner — L. A. Grabenstetter

(74) *Attorney, Agent, or Firm* — McAndrews Held & Malloy, Ltd.

(57) **CLAIM**

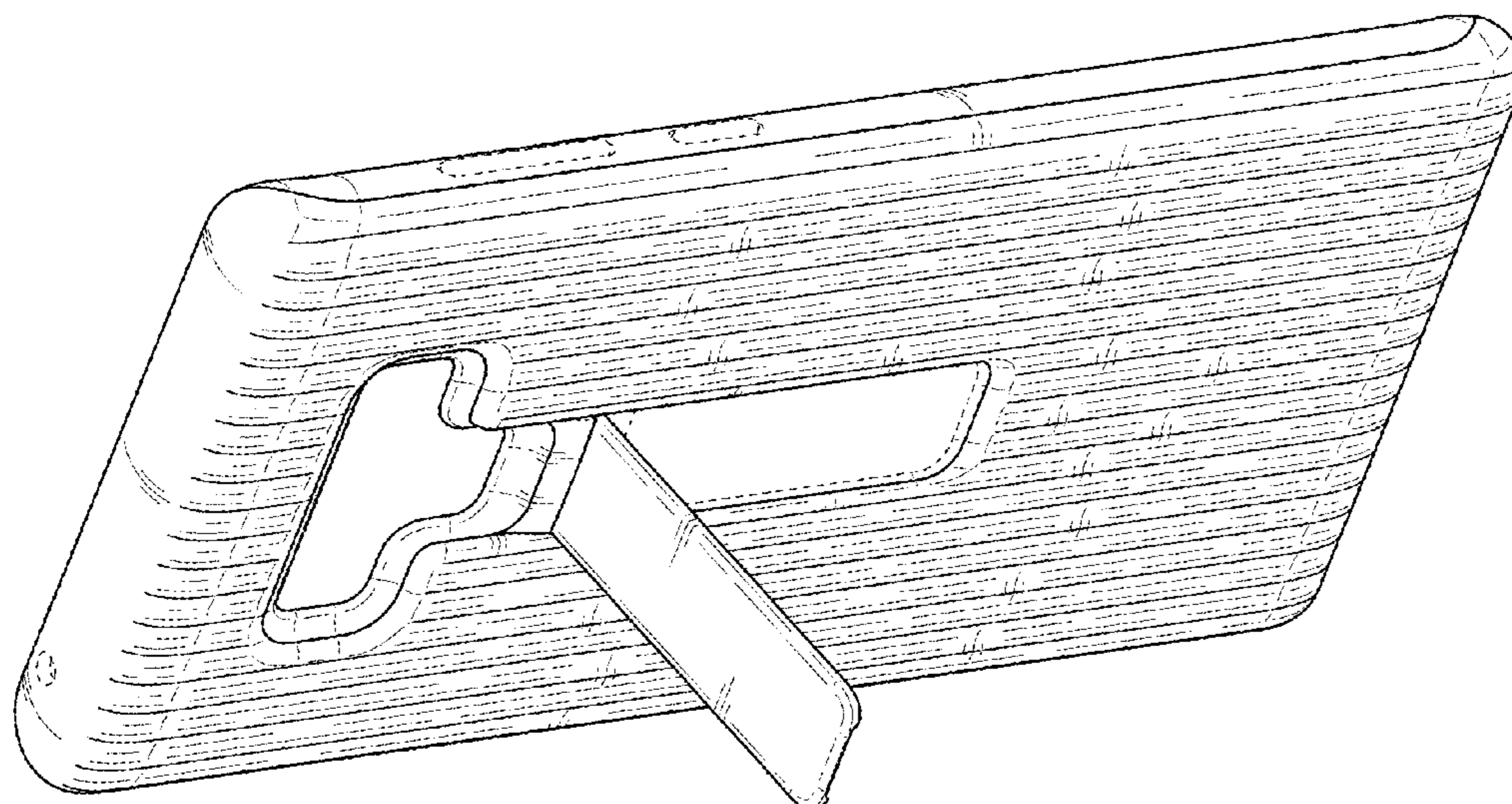
The ornamental design for a case for mobile phone, as shown and described.

DESCRIPTION

FIG. 1 is a front perspective view of a case for mobile phone showing our new design;
FIG. 2 is a front elevation view thereof;
FIG. 3 is a rear elevation view thereof;
FIG. 4 is a left side elevation view thereof;
FIG. 5 is a right side elevation view thereof;
FIG. 6 is a top plan view thereof;
FIG. 7 is a bottom plan view thereof;
FIG. 8 is a rear perspective view thereof;
FIG. 9 is another front perspective view thereof depicting the case for mobile phone in a standing configuration; and, FIG. 10 is a cross-sectional view taken along line 10-10 in FIG. 2.

The evenly-spaced dashed broken lines in the figures depict portions of the case for mobile phone that form no part of the claimed design.

1 Claim, 9 Drawing Sheets



(56)

References Cited

U.S. PATENT DOCUMENTS

D678,327 S * 3/2013 Lee D14/203.3
D695,729 S * 12/2013 Shi D14/248
D709,484 S * 7/2014 Yoo D14/250
D716,783 S * 11/2014 Loncar D14/250
D727,303 S * 4/2015 Sin D14/248
D761,773 S * 7/2016 Choi D14/248
D762,204 S * 7/2016 Armstrong D14/250
D776,105 S * 1/2017 Han D14/250
D789,347 S * 6/2017 Zamudio D14/250
D791,754 S * 7/2017 Armstrong D14/250
D798,834 S * 10/2017 Fan D14/138 G
D851,638 S * 6/2019 Kim D14/250
D853,376 S * 7/2019 Jeong D14/250
2003/0044579 A1 * 3/2003 Bolton B32B 17/10853
428/167
2012/0177889 A1 * 7/2012 Uematsu D04H 1/76
428/167
2013/0058016 A1 * 3/2013 Shi G02B 3/005
361/679.01

OTHER PUBLICATIONS

I dropped my Galaxy Note 9 without a case and it actually survived, Samsung Rugged Case, publication date 26 August 2018, [online][site visited Sep. 30, 2020] URL: <https://www.androidcentral.com/i-dropped-my-galaxy-note-9-and-it-held-surprisingly-well> (Year: 2018).*

* cited by examiner

FIG. 1

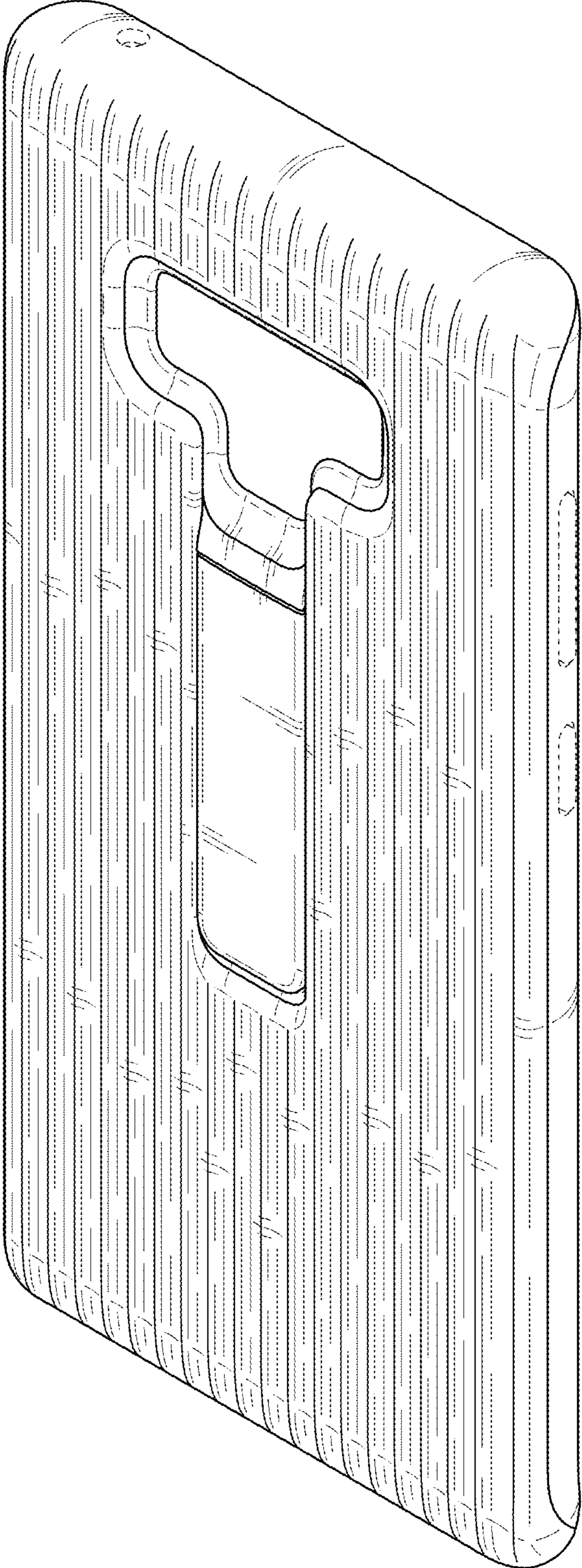


FIG. 2

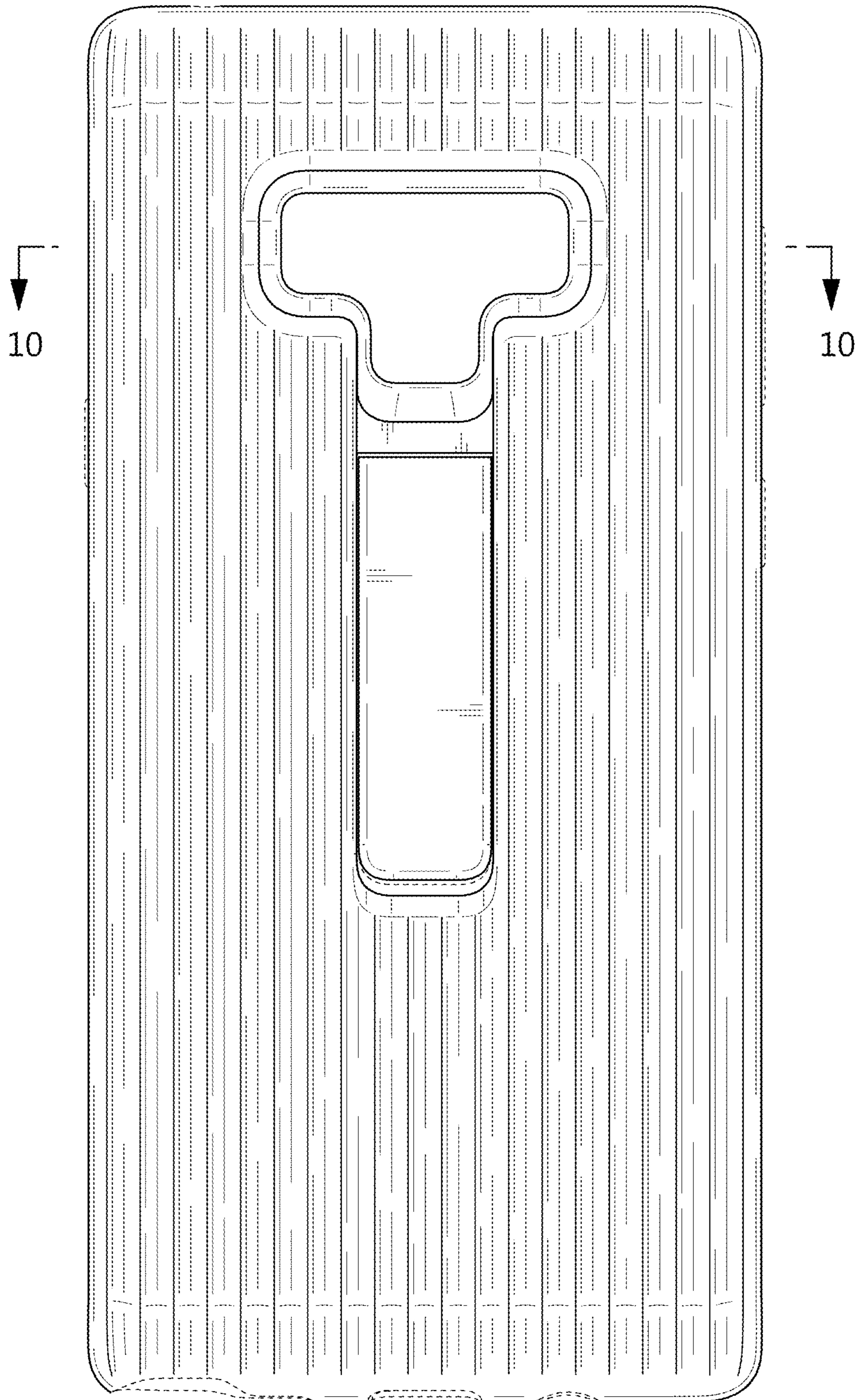


FIG. 3

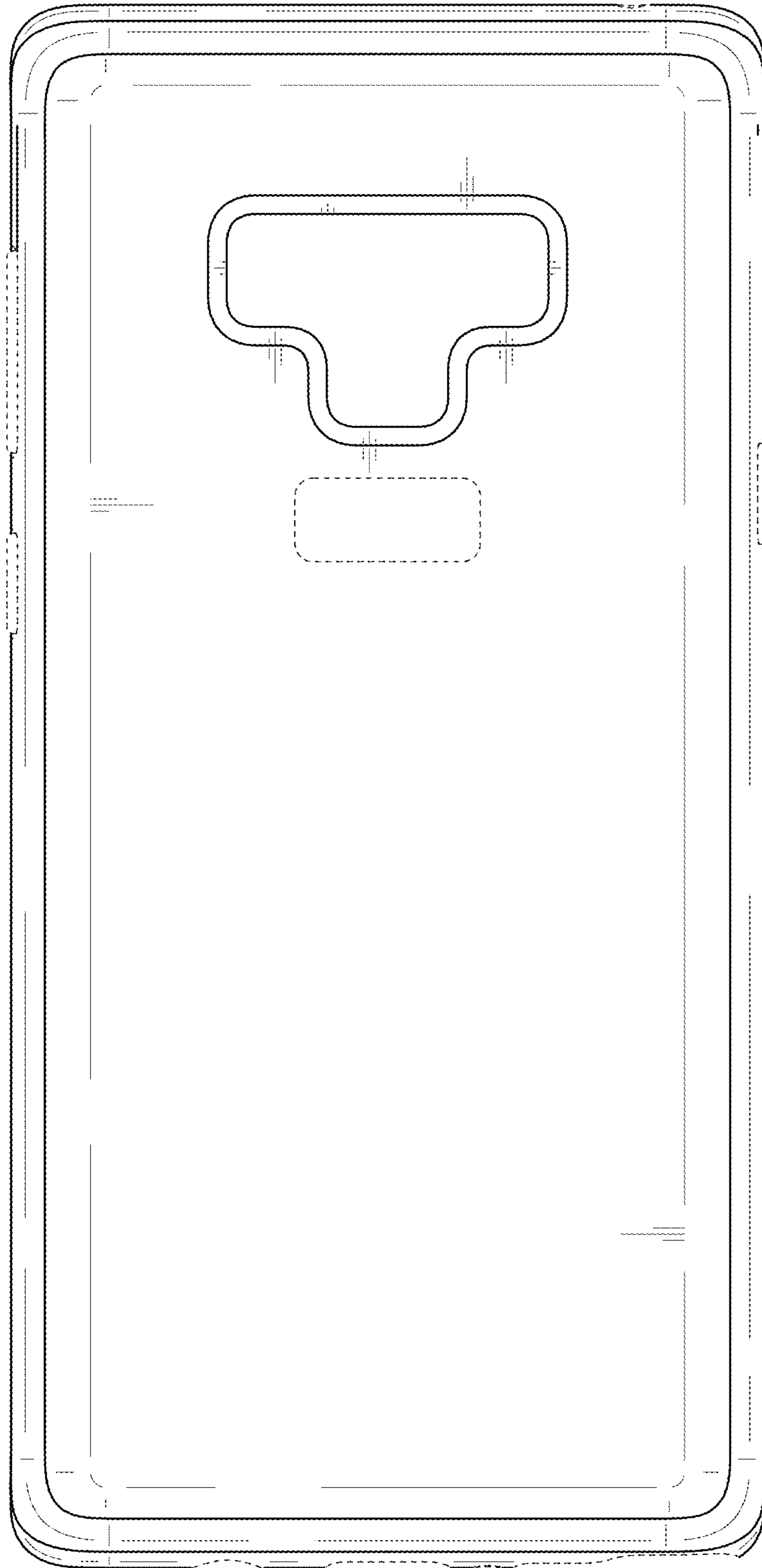


FIG. 4

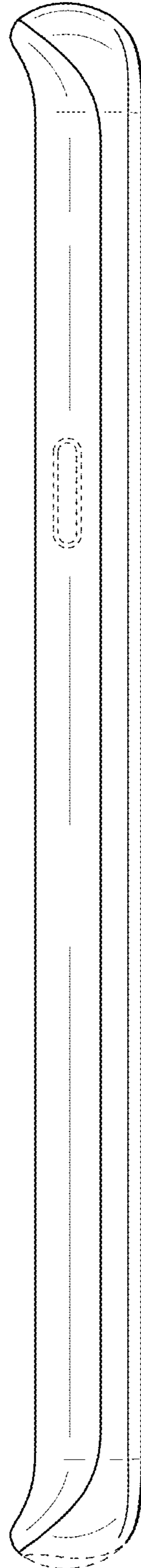


FIG. 5

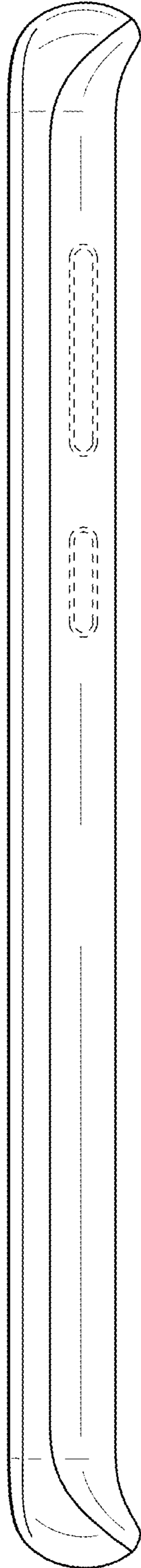


FIG. 6

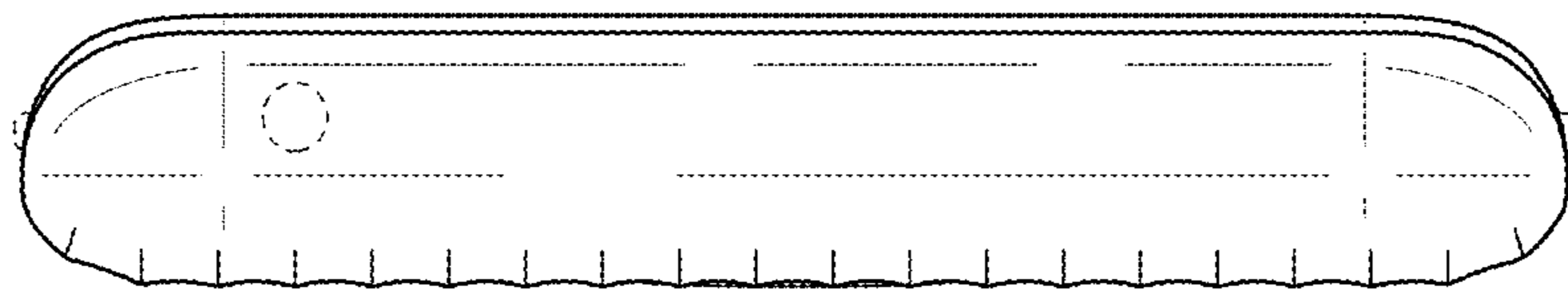


FIG. 7

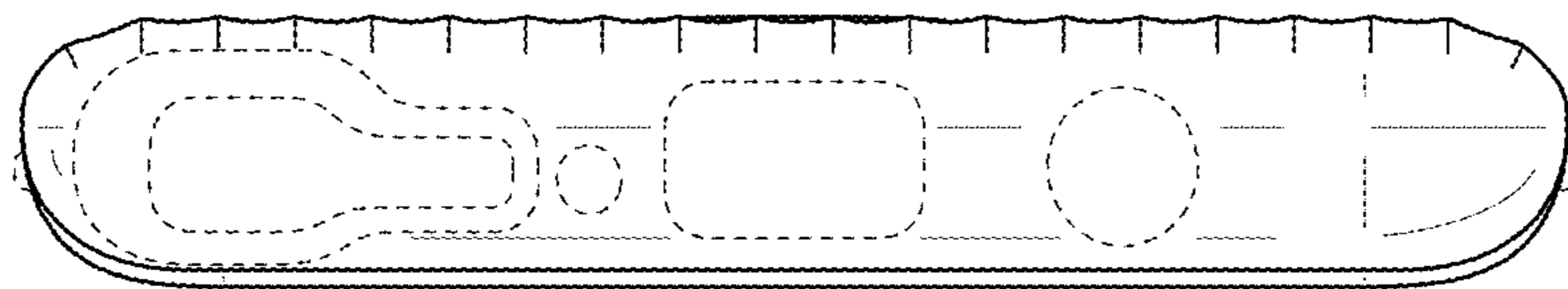


FIG. 8

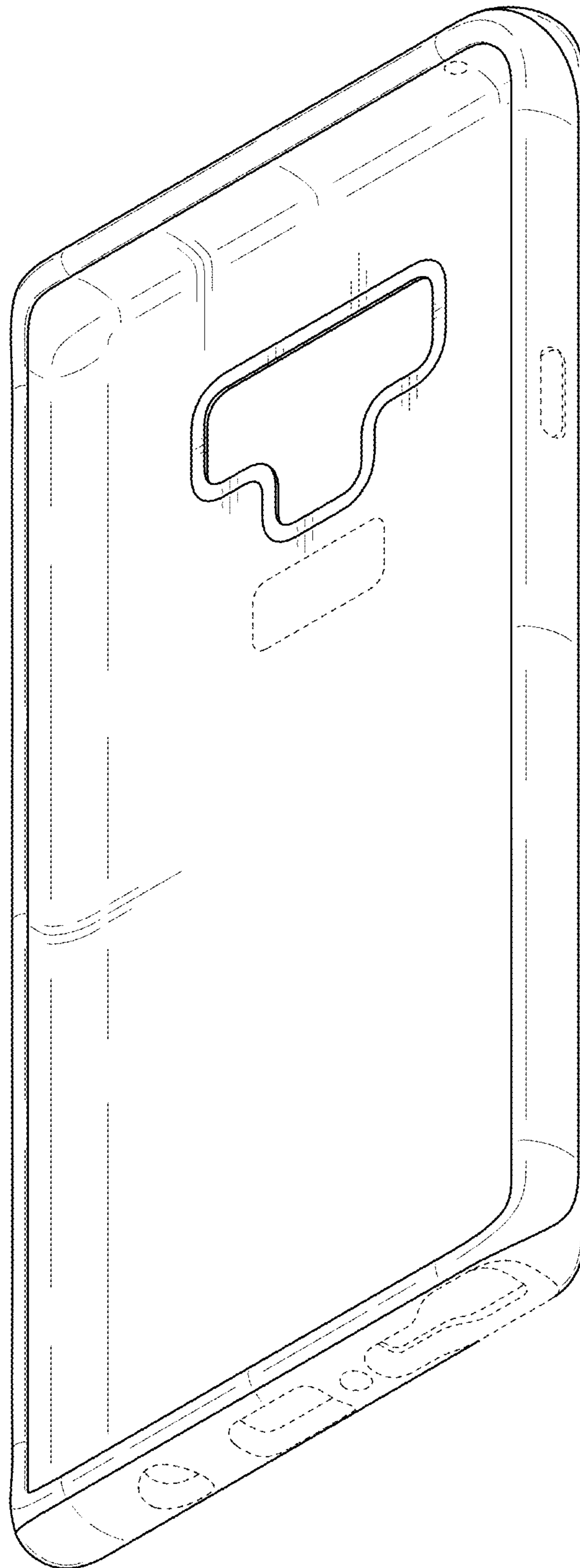


FIG. 9

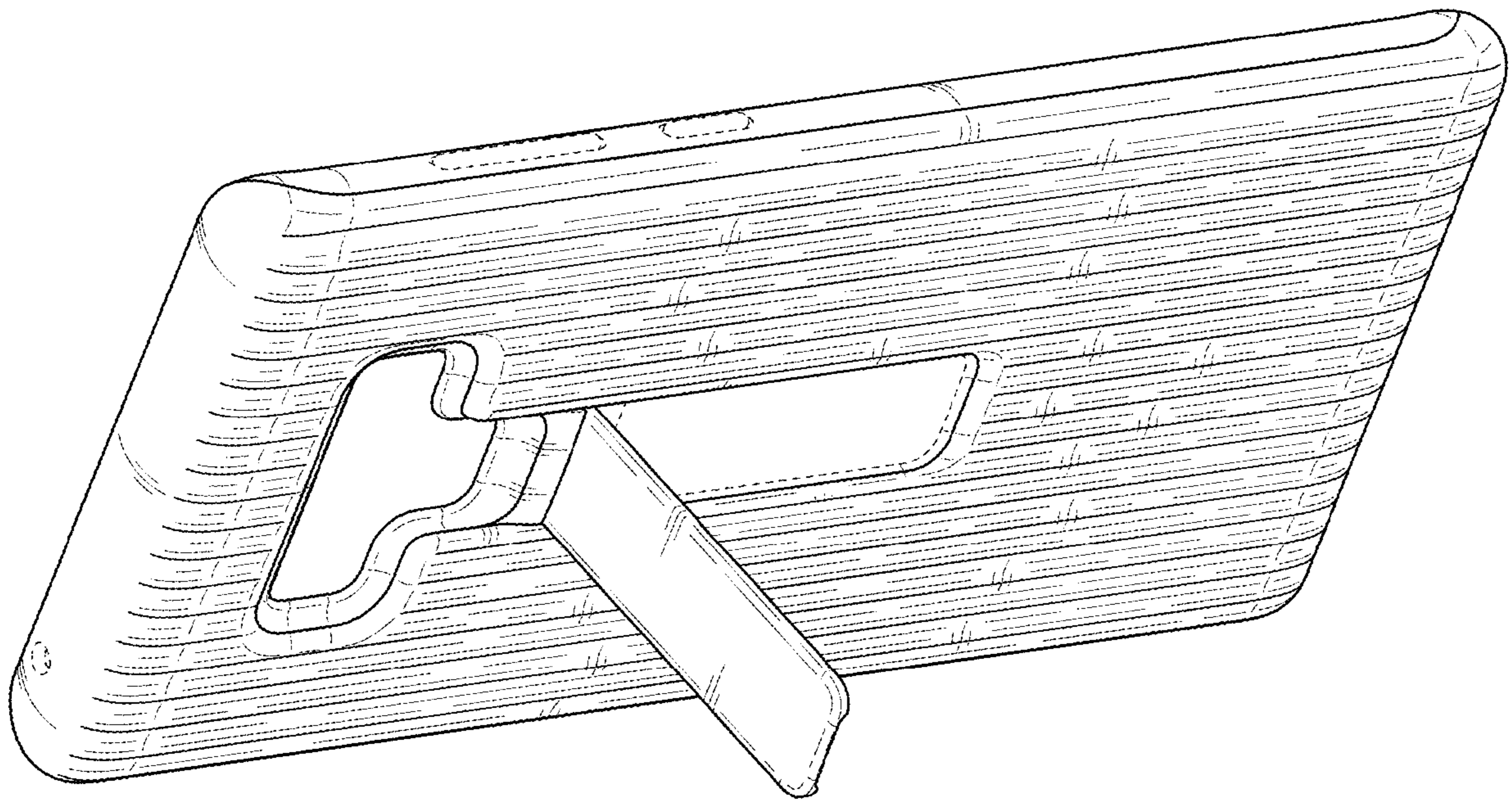


FIG. 10

