

US00D902911S

(12) **United States Design Patent** (10) **Patent No.:** **US D902,911 S**
Kim (45) **Date of Patent:** **** *Nov. 24, 2020**

(54) **CASE FOR ELECTRONIC COMMUNICATIONS DEVICE**

(71) Applicant: **SPIGEN KOREA CO., LTD.**, Seoul (KR)

(72) Inventor: **Seung Joo Kim**, Seoul (KR)

(73) Assignee: **Spigen Korea CO., LTD.**, Seoul (KR)

(*) Notice: This patent is subject to a terminal disclaimer.

(**) Term: **15 Years**

(21) Appl. No.: **29/658,003**

(22) Filed: **Jul. 26, 2018**

(51) **LOC (12) Cl.** **14-03**

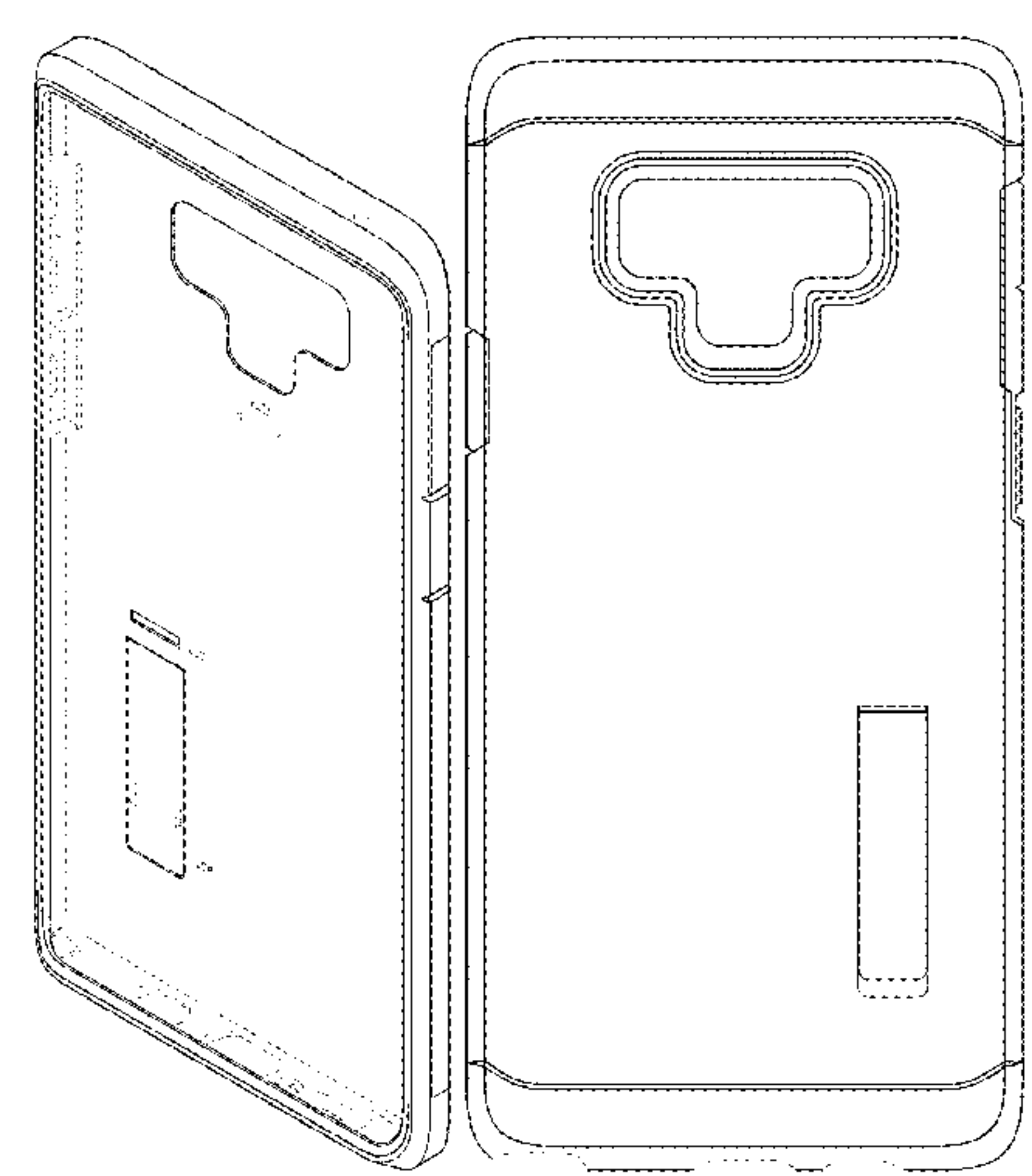
(52) **U.S. Cl.**
 USPC **D14/250**

(58) **Field of Classification Search**
 USPC D14/248, 439, 203.3-203.7, 447, 238.1, D14/251-253, 217, 240, 250, 440; D3/201, 218, 247, 269, 273, 301, 303; D13/103, 107-108, 119
 CPC H04B 1/3888; H04M 1/0283; H04M 1/0202; A45C 1/06; A45C 11/00; A45C 13/02; A45C 2011/002; A45F 2005/026; A45F 2200/0525; A45F 2200/0516
 See application file for complete search history.

D676,035 S 2/2013 Chang
 D679,271 S 4/2013 Liu
 D681,615 S 5/2013 Fathollahi
 8,517,172 B1 8/2013 Chang
 8,706,176 B1 4/2014 Jia
 D706,254 S 6/2014 Chang
 D709,871 S 7/2014 Lee
 D713,397 S * 9/2014 Du D14/250
 D713,834 S * 9/2014 Almstrom D14/250
 D716,782 S * 11/2014 Macrina D14/250
 D721,068 S * 1/2015 Melanson D14/250
 D721,071 S 1/2015 Nelson
 9,049,283 B1 6/2015 Kim
 D743,388 S * 11/2015 Fitzpatrick D14/250
 9,185,954 B2 11/2015 Cheung
 D748,612 S * 2/2016 Chan D14/250
 D749,068 S 2/2016 Zaborski
 D749,535 S 2/2016 Joung
 D749,594 S 2/2016 Kim
 D753,099 S 4/2016 Kim
 D755,764 S 5/2016 Dong
 D755,772 S 5/2016 Sasaki
 D756,339 S 5/2016 Tussy
 D756,340 S 5/2016 Babichenko
 D756,343 S 5/2016 Wall et al.
 D756,909 S 5/2016 Gupta
 D756,977 S 5/2016 Schriefer
 D756,978 S 5/2016 Addonisio
 D756,980 S 5/2016 Beeman
 D757,703 S 5/2016 Kanazawa
 D759,641 S 6/2016 Lai et al.
 D759,642 S 6/2016 Chao
 D762,633 S 8/2016 Fife
 D765,634 S 9/2016 McCray et al.
 D765,635 S 9/2016 Chang
 D765,638 S 9/2016 Gaylord
 D765,640 S 9/2016 Bulkley
 D768,615 S 10/2016 Wang
 9,467,189 B2 10/2016 Day et al.
 D771,028 S 11/2016 Kim
 D771,607 S 11/2016 Kim
 D771,608 S 11/2016 Kim
 D772,209 S 11/2016 Kim
 D772,858 S 11/2016 Hu
 9,503,147 B2 11/2016 Witter et al.
 D776,104 S 1/2017 Tien
 D777,155 S 1/2017 Kim
 D777,156 S 1/2017 Kim
 D777,160 S 1/2017 Kim
 D777,716 S * 1/2017 Kim D14/250
 9,545,140 B1 1/2017 Johnson et al.
 D778,898 S 2/2017 Kim
 D780,166 S 2/2017 Lin

(56) **References Cited**
 U.S. PATENT DOCUMENTS

D613,761 S 4/2010 Jones
 D613,762 S 4/2010 Jones
 D613,763 S 4/2010 Jones
 D614,668 S 4/2010 Jones
 D619,361 S 7/2010 Andre
 D624,908 S 10/2010 Huskinson
 D636,387 S 4/2011 Willes
 D637,589 S 5/2011 Willes et al.
 D646,265 S 10/2011 Fathollahi
 D663,294 S 7/2012 Buxton
 D673,547 S 1/2013 Melanson et al.



D780,167 S	2/2017	Tien	
D786,233 S *	5/2017	Kim	D14/250
D786,851 S	5/2017	Kim	
D786,852 S	5/2017	Kim	
D786,854 S *	5/2017	Kim	D14/250
D787,491 S	5/2017	Kim	
D787,942 S	5/2017	Bos	
D788,760 S *	6/2017	Kim	D14/250
D789,344 S *	6/2017	Kim	D14/250
D791,755 S	7/2017	Kim	
D796,497 S *	9/2017	Kim	D14/250
D800,713 S *	10/2017	Kim	D14/250
D802,574 S *	11/2017	Kim	D14/250
D803,206 S *	11/2017	Kim	D14/250
D806,063 S *	12/2017	Kim	D14/250
D807,338 S *	1/2018	Kim	D14/250
D808,955 S	1/2018	Park et al.	
D810,726 S	2/2018	Chou et al.	
D813,854 S	3/2018	Lee et al.	
D819,012 S *	5/2018	Kim	D14/250
D820,245 S *	6/2018	Kim	D14/250
D823,293 S	7/2018	Kim et al.	
D823,296 S	7/2018	Kim et al.	
D823,297 S	7/2018	Kim et al.	
D823,298 S	7/2018	Kim et al.	
D828,346 S *	9/2018	Kim	D14/250
D833,426 S *	11/2018	Yun	D14/250
2009/0017883 A1	1/2009	Lin	
2011/0050606 A1	3/2011	Zhang	
2013/0077211 A1	3/2013	Wang	
2013/0126531 A1	5/2013	Hynecek	
2014/0262855 A1	9/2014	Gandhi	
2014/0360892 A1	12/2014	Lin	
2015/0053583 A1 *	2/2015	McCormick	A45C 11/00 206/521
2015/0156297 A1	6/2015	Crawford	
2015/0335116 A1	11/2015	Kim	
2016/0028430 A1	1/2016	Crawford	
2016/0101902 A1	4/2016	Kim	
2016/0204817 A1	7/2016	Kim	
2016/0285301 A1	9/2016	Kim	
2016/0374443 A1	12/2016	Kim	
2017/0077597 A1 *	3/2017	Gong	H04M 1/026
2017/0150792 A1	6/2017	Kim	
2017/0230072 A1 *	8/2017	Kim	H04B 1/3888

OTHER PUBLICATIONS

Review of the Spigen Tough Armor Case for Galaxy S8 Plus, published on May 15, 2017, URL: <<https://www.youtube.com/watch?v=T7QKTd0SBeg>>, retrieved from internet on Dec. 4, 2018.*

“Spigen Tough Armor Galaxy Note 4 Case with Extreme Heavy Duty Protection and Air Cushion Technology for Samsung Galaxy Note 4 2014—Gunmetal”, <https://www.amazon.com/dp/B00MAWQU14>, earliest review date of Oct. 9, 2014.

“Spigen Tough Armor Galaxy Note 8 Case with Kickstand and Extreme Heavy Duty Protection and Air Cushion Technology for Galaxy Note 8 (2017)—Orchid Gray”, <https://www.amazon.com/dp/B073R7MND3>, earliest review date of Aug. 26, 2017.

“Spigen Tough Armor Galaxy S5 Case with Extreme Heavy Duty Protection and Air Cushion Technology for Samsung Galaxy S5 2014—Gunmetal”, <https://www.amazon.com/dp/B00I3UWDV8>, earliest review date of Mar. 9, 2014.

“Spigen Tough Armor Galaxy S6 Case with Kickstand and Air Cushion Techonology for Galaxy S6 2015—Gunmetal”, <https://www.amazon.com/dp/B00QU4PUKK>, earliest review date of Mar. 23, 2015.

“Spigen Tough Armor Galaxy S6 Edge Case with Kickstand and Extreme Heavy Duty Protection and Air Cushion Technology for Galaxy S6 Edge 2015—Gunmetal”, <https://www.amazon.com/dp/B00SV63L38>, earliest review date of Mar. 12, 2015.

“Spigen Tough Armor Galaxy S7 Case with Extreme Heavy Duty Protection and Air Cushion Technology for Samsung Galaxy S7 2016—Gunmetal”, <https://www.amazon.com/dp/B01A7ID3PS>, earliest review date of Feb. 25, 2016.

“Spigen Tough Armor Galaxy S7 Edge Case with Kickstand and Extreme Heavy Duty Protection and Air Cushion Technology for Samsung Galaxy S7 Edge 2016—Gunmetal”, <https://www.amazon.com/dp/B01A7IDNWQ>, earliest review date of Feb. 24, 2016.

“Spigen Tough Armor Galaxy S8 Case with Kickstand and Extreme Heavy Duty Protection and Air Cushion Technology for Samsung Galaxy S8 (2017)—Black”, <https://www.amazon.com/dp/B06XNVPGC2>, earliest review date of Apr. 9, 2017.

“Spigen Tough Armor Galaxy S8 Plus Case with Kickstand and Extreme Heavy Duty Protection and Air Cushion Technology for Galaxy S8 Plus (2017)—Black”, <https://www.amazon.com/dp/B06XP4FP8N>, earliest review date of Apr. 8, 2017.

“Spigen Tough Armor iPhone 6 Case with Extreme Heavy Duty Protection and Air Cushion Technology for iPhone 6S / iPhone 6—Smooth Black”, <https://www.amazon.com/dp/B00N5SX23I>, Earliest review date of Aug. 14, 2014.

“Spigen Tough Armor iPhone 6S Case with Extreme Heavy Duty Protection and Air Cushion Techonology for iPhone 6S/iPhone 6—Rose Gold”, <https://www.amazon.com/dp/B013TKNNGK>, Earliest review date of Aug. 30, 2015.

Spigen Tough Armor iPhone 6S Plus Case with Kickstand and Heavy Duty Air Cushion Technology Protection for iPhone 6S Plus / iPhone 6 Plus Only—Gunmetal, <https://www.amazon.com/dp/B010MVQJPQ>, Earliest review date of Sep. 9, 2015.

“Spigen Tough Armor iPhone 7 Case with Extreme Heavy Duty Protection and Air Cushion Technology for iPhone 7 2016—Black”, <https://www.amazon.com/dp/B01GIVX30I>, Earliest review date of Sep. 9, 2016.

“Spigen Tough Armor iPhone 7 Plus Case with Reinforced Kickstand and Heavy Duty Protection and Air Cushion Technology for Apple iPhone 7 Plus (2016)—Rose Gold”, <https://www.amazon.com/dp/B01GIWGE8A>, Earliest review date of Sep. 6, 2016.

“Spigen Tough Armor iPhone SE Case with Extreme Heavy Duty Protection and Air Cushion Technology for iPhone SE 2016—Black”, <https://www.amazon.com/dp/B01BEJB9XM>, Earliest review date of Apr. 7, 2016.

“Spigen Tough Armor iPhone SE/5S/5 Case with Extreme Heavy Duty Protection and Air Cushion Technology for Phone SE/iPhone 5S/iPhone 5—Metal Slate”, <https://www.amazon.com/B00DMKGPP4>, Earliest review date of Aug. 1, 2013.

“Spigen Tough Armor LG G5 Case with Reinforced Kickstand and Heavy Duty Protection and Air Cushion Technology or LG G5 (2016)—Gunmetal”, <https://www.amazon.com/dp/B01B1GQL6I>, Earliest review date of Mar. 11, 2016.

* cited by examiner

Primary Examiner — Carla J Wright

(74) *Attorney, Agent, or Firm* — Headong Chae; Lucem, PC

(57)

CLAIM

The ornamental design for a case for electronic communications device, as shown and described.

DESCRIPTION

FIG. 1 is a front perspective view of a case for electronic communications device showing my new design;

FIG. 2 is a rear perspective view thereof;

FIG. 3 is a front elevational view thereof;

FIG. 4 is a rear elevational view thereof;

FIG. 5 is a left side elevational view thereof;

FIG. 6 is a right side elevational view thereof;

FIG. 7 is a top plan view thereof;

FIG. 8 is a bottom plan view thereof;

FIG. 9 is a front perspective view of the inner shell component of the case shown separately for clarity of disclosure;

FIG. 10 is a rear perspective view of the inner shell component of the case shown separately for clarity of disclosure;

FIG. 11 is a front perspective view of the outer frame component of the case shown separately for clarity of disclosure;

FIG. 12 is a rear perspective view of the outer frame component of the case shown separately for clarity of disclosure;

FIG. 13 is a front perspective view of the kickstand component of the case shown separately for clarity of disclosure;

FIG. 14 is a rear perspective view of the kickstand component of the case shown separately for clarity of disclosure;

FIG. 15 is an exploded front perspective view showing the components of the case separated for clarity of disclosure;

and,

FIG. 16 is an exploded rear perspective view showing the components of the case separated for clarity of disclosure.

Although the case for electronic communications device, in which the claimed design is embodied, consists of an inner shell component, an outer frame component, and a kickstand component, the claim is directed to the overall ornamental appearance of the case for electronic communications device in its entirety and does not extend to the ornamental appearance of each of the individual components.

The broken lines throughout the drawing figures depict portions of the case that form no part of the claimed design.

The broken lines, regions bounded by broken lines, and the interior of the case shown in FIGS. 1, 3, 9, and 15 (except for the interior edges of the camera opening, kickstand, and hinge) form no part of the claimed design.

1 Claim, 16 Drawing Sheets

FIG. 1

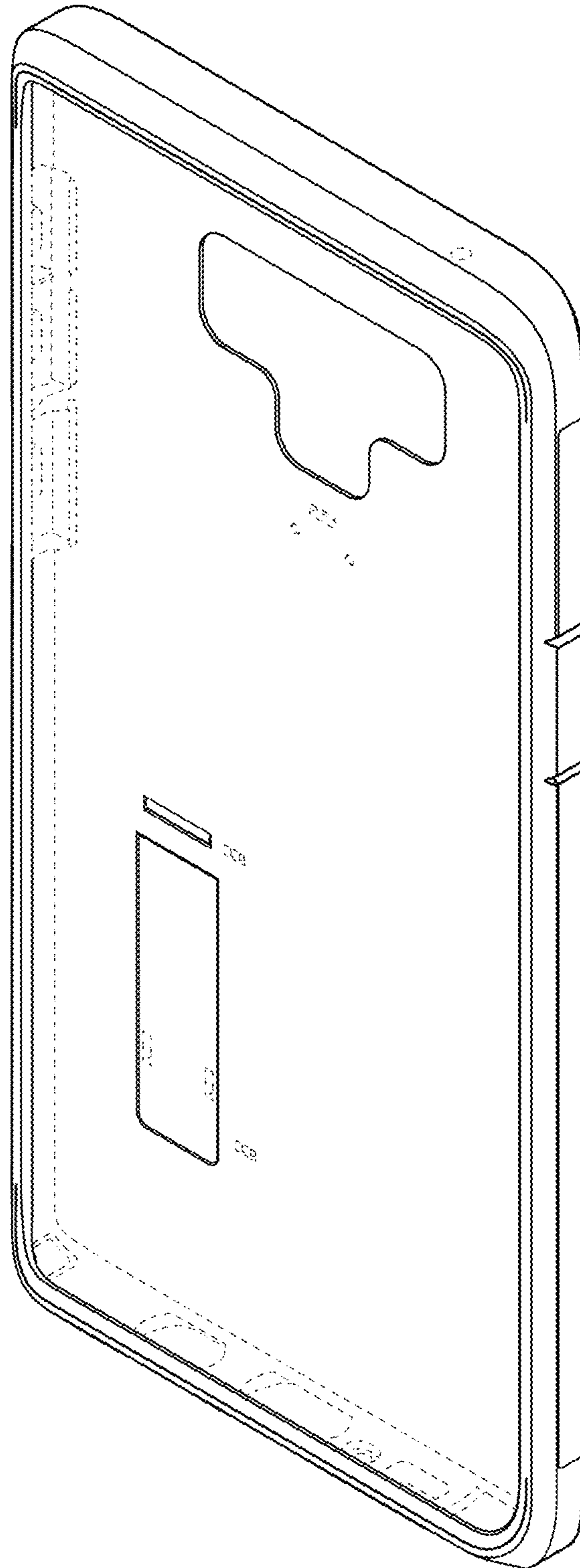


FIG. 2

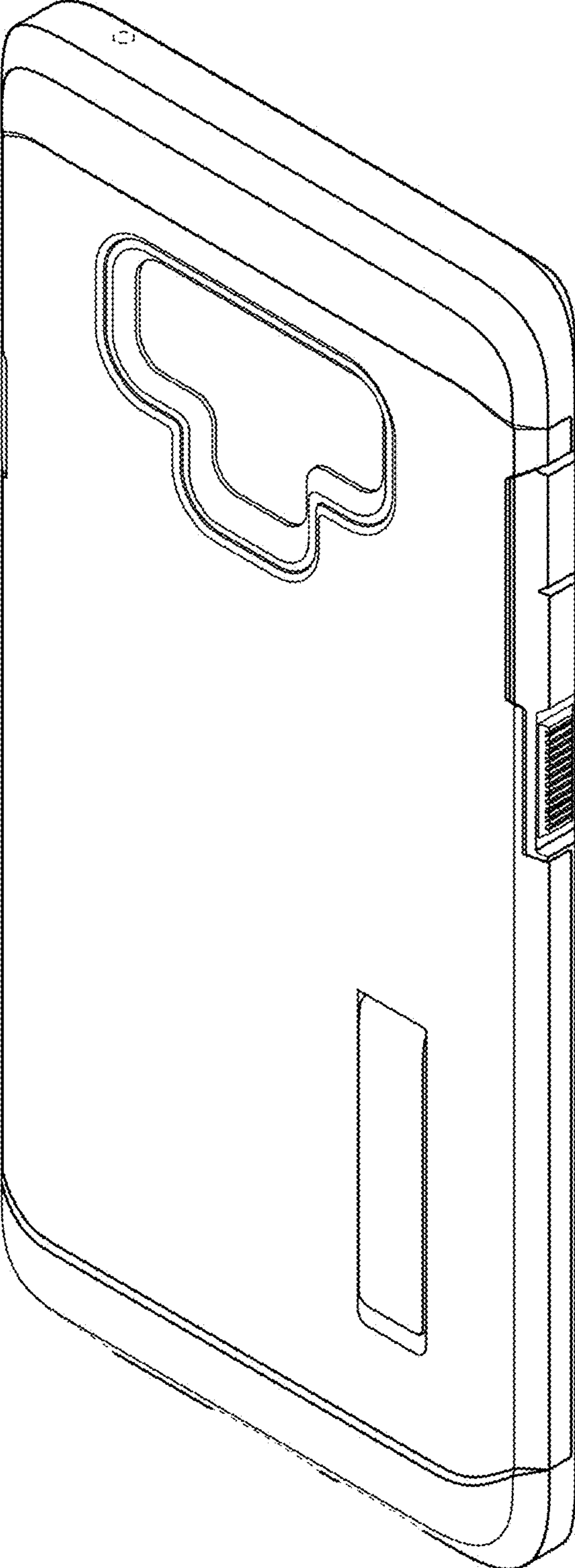


FIG. 3

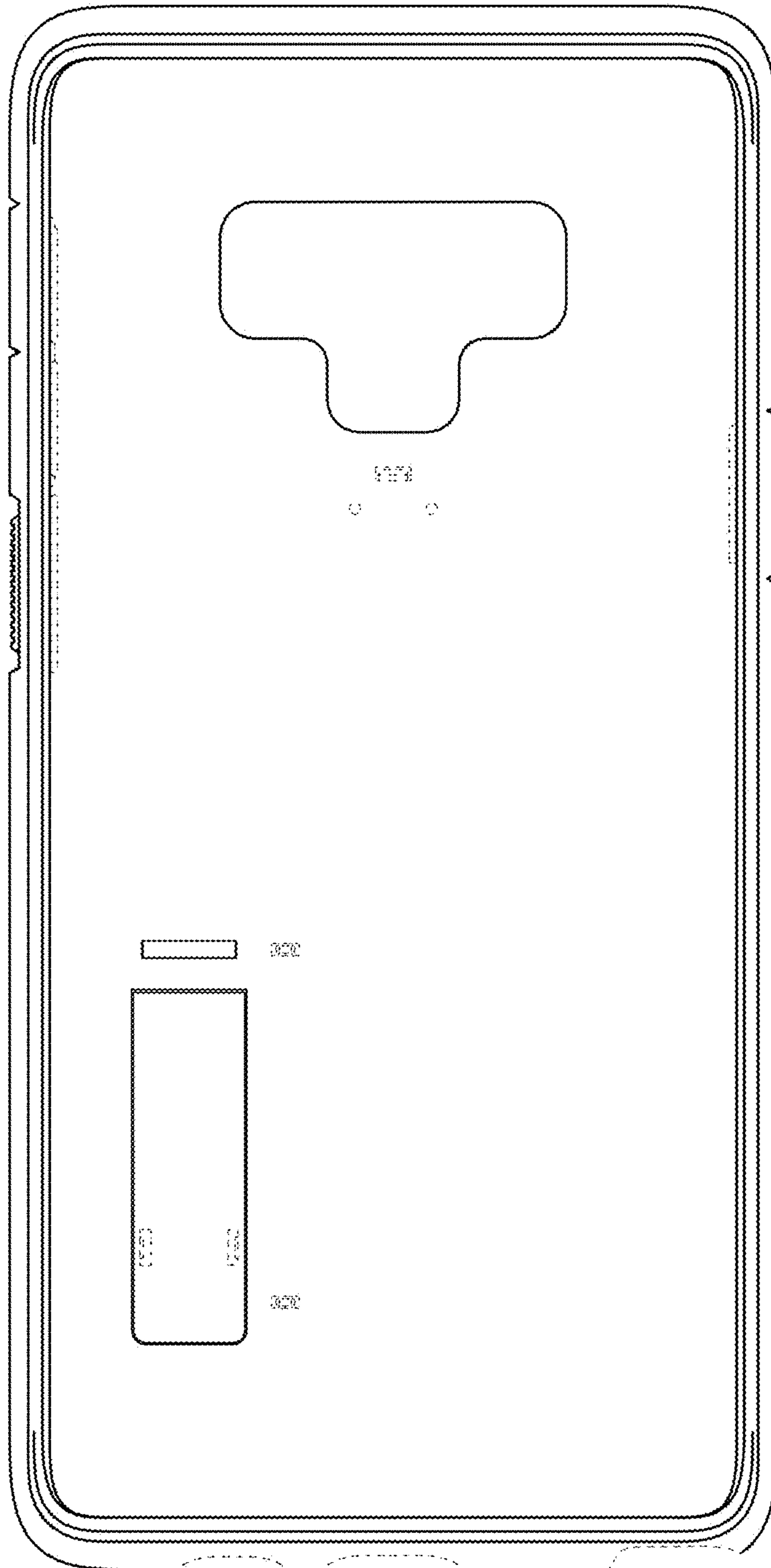


FIG. 4

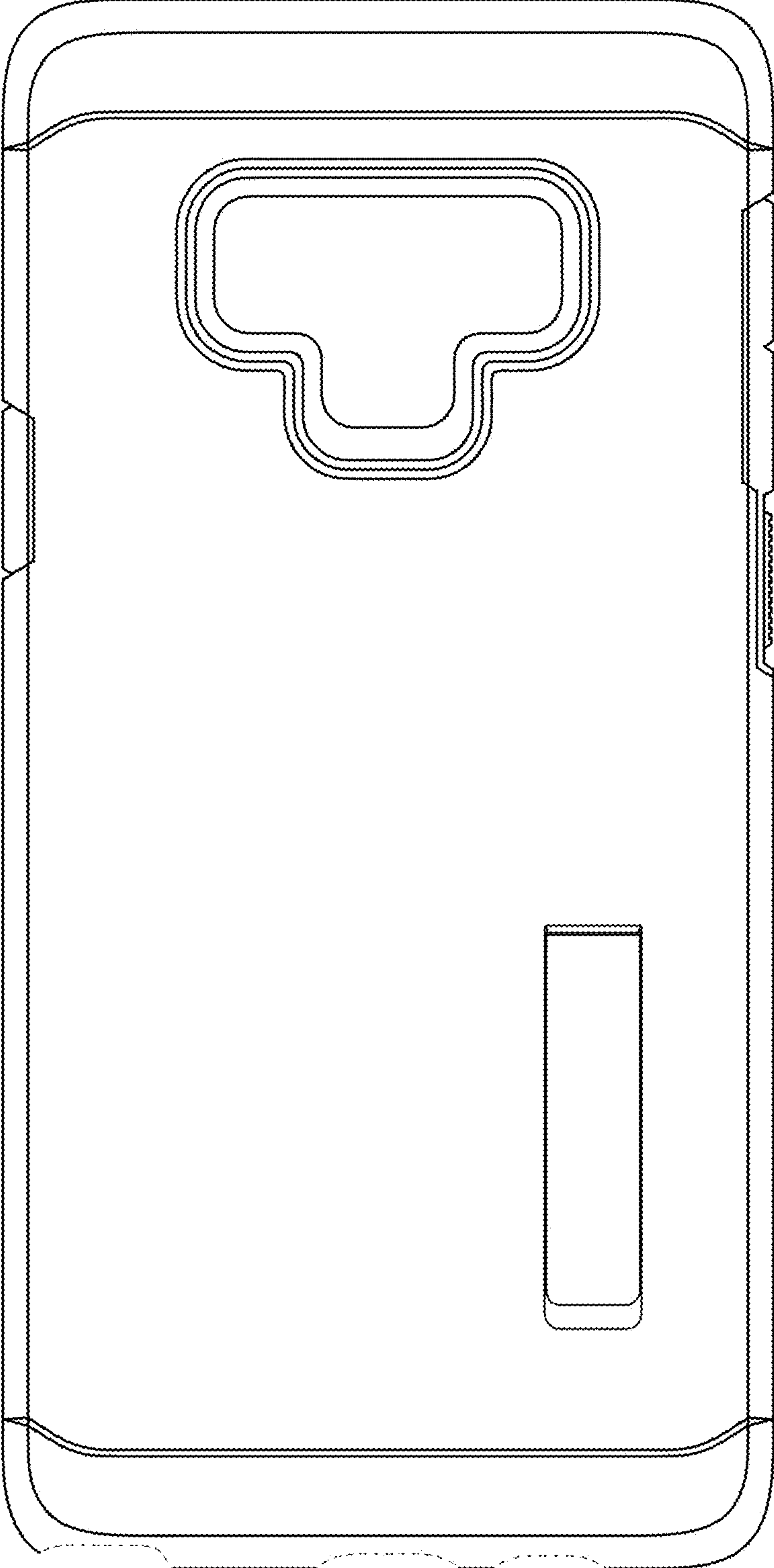


FIG. 5

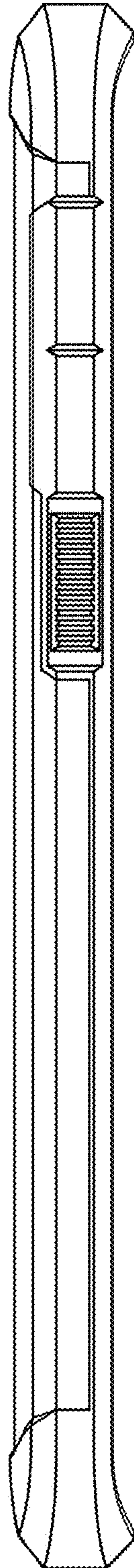


FIG. 6

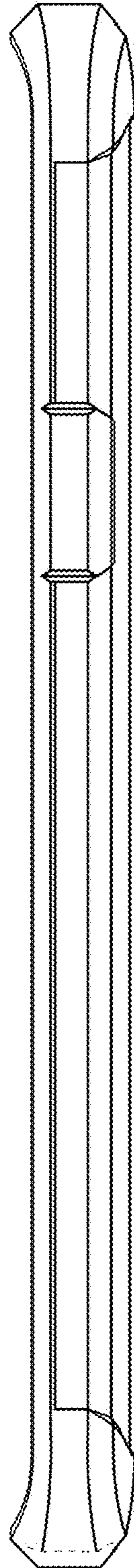


FIG. 7

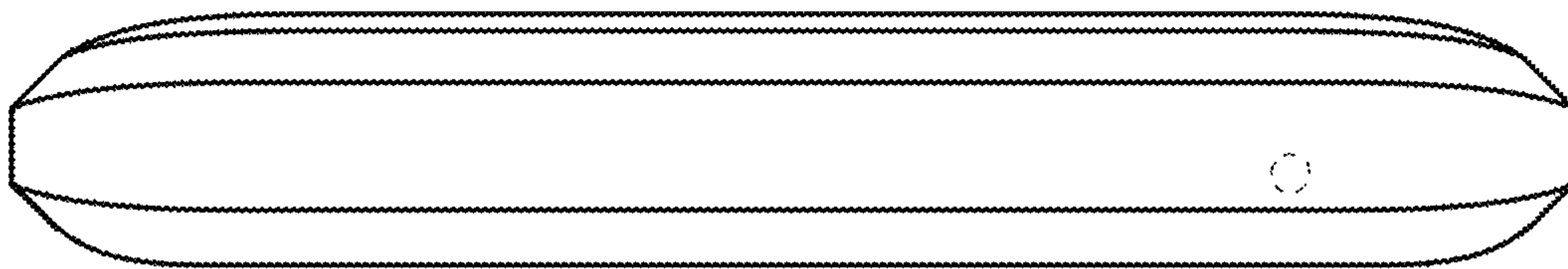


FIG. 8

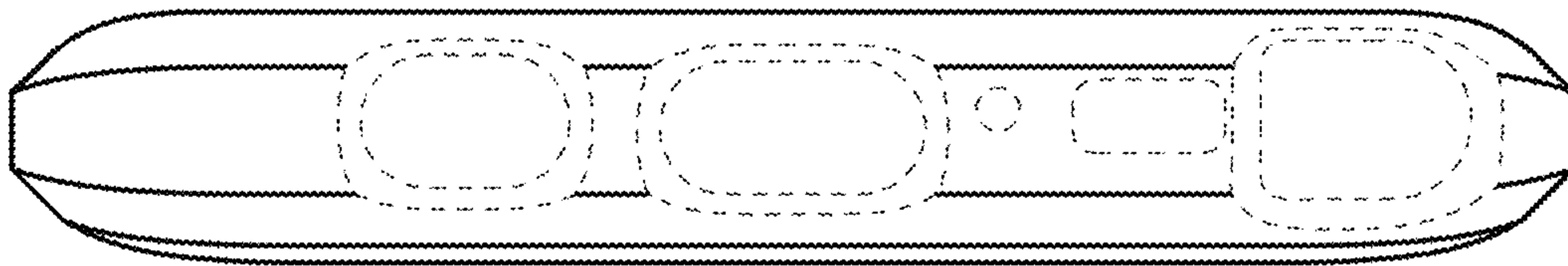


FIG. 9

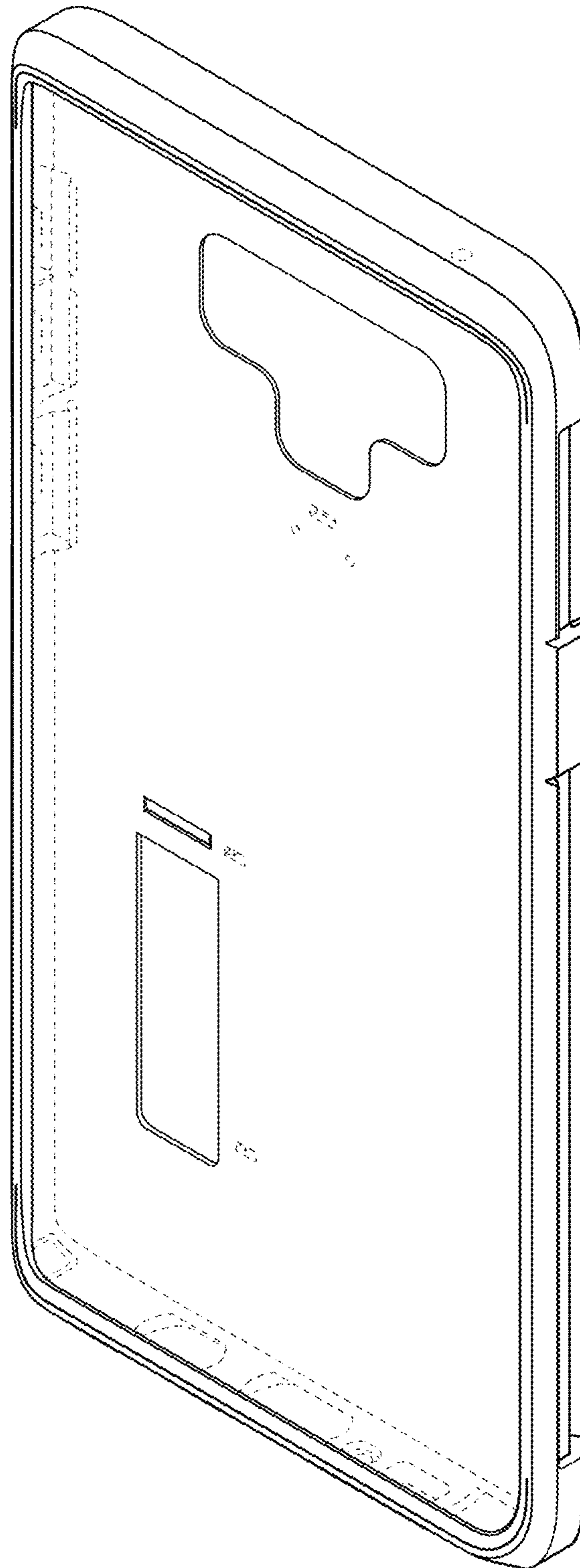


FIG. 10

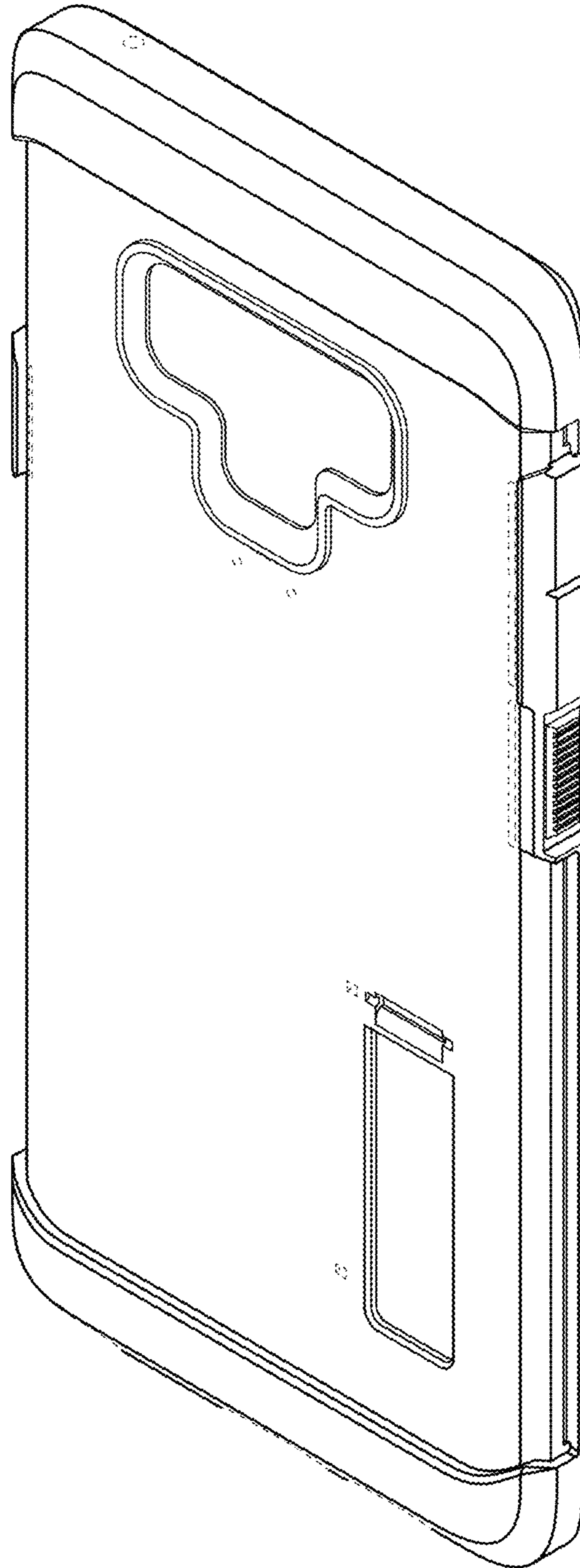


FIG. 11

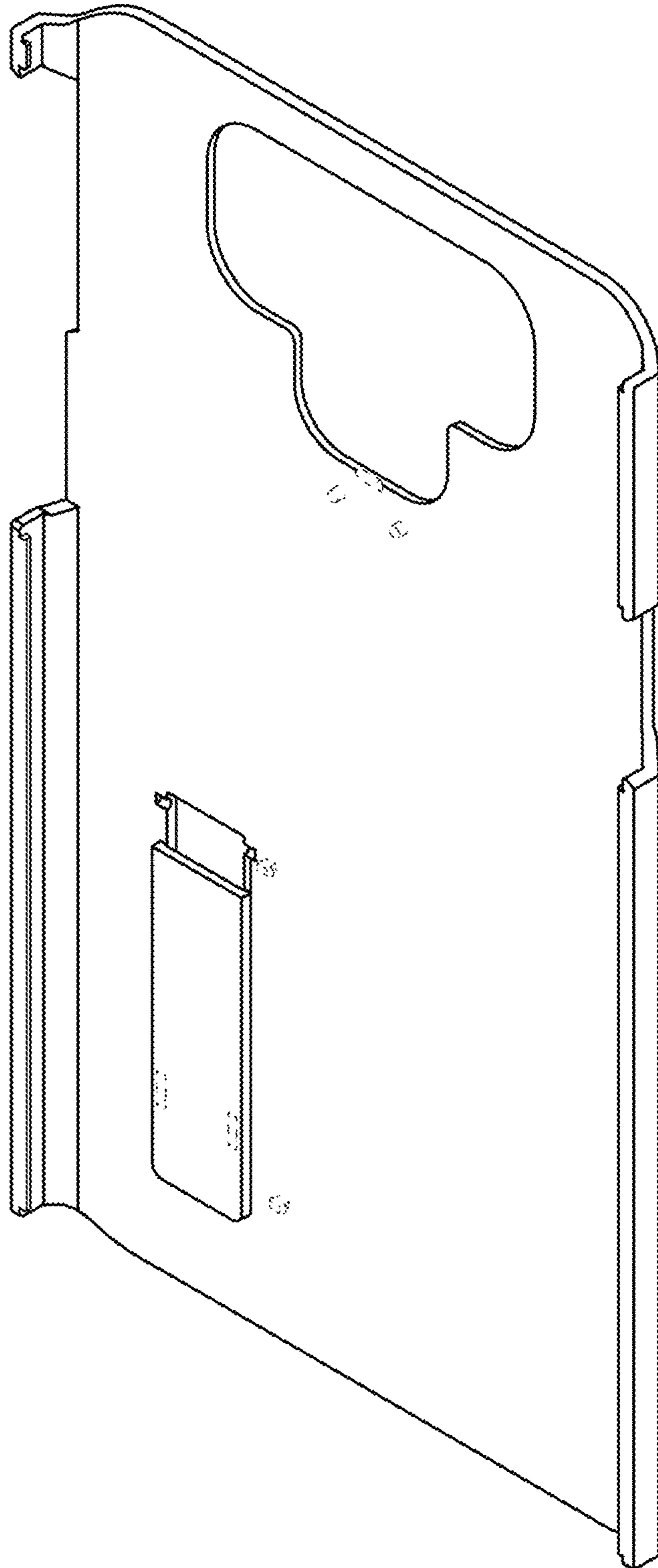


FIG. 12

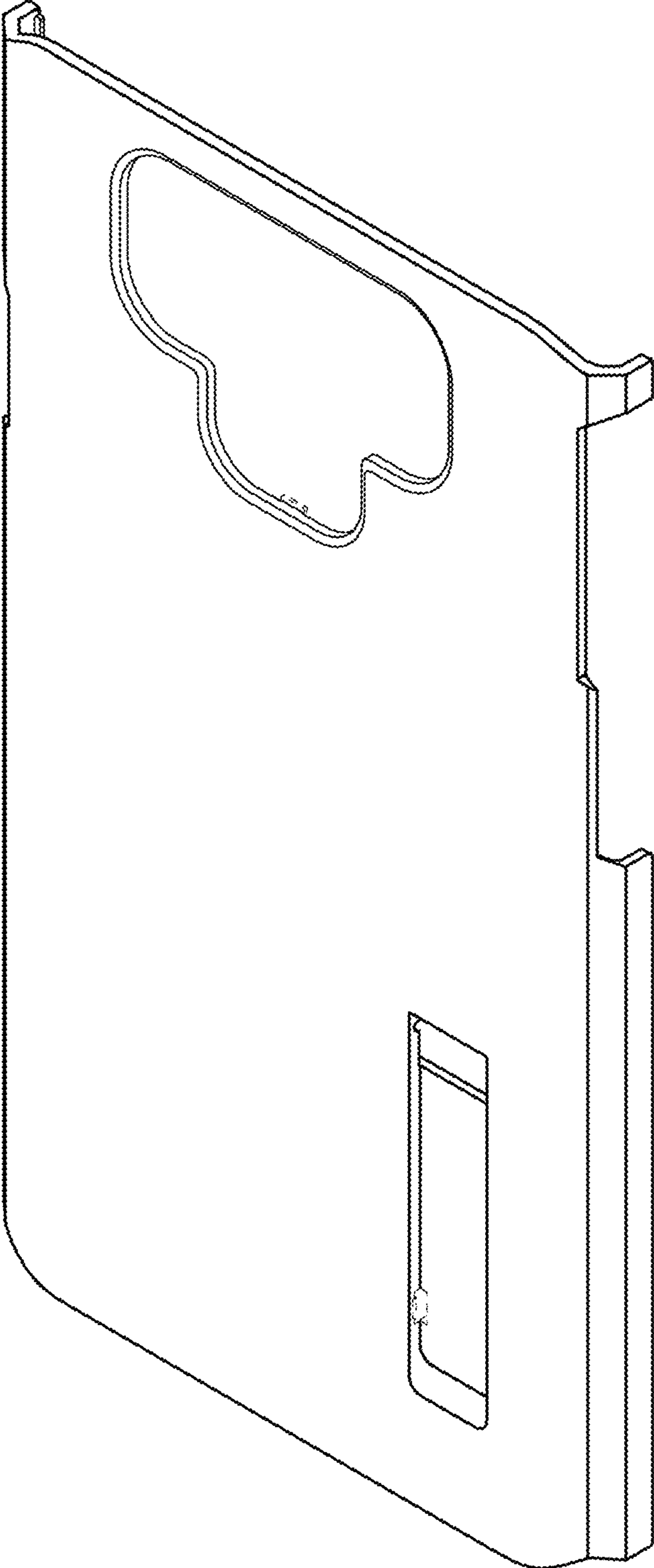


FIG. 13

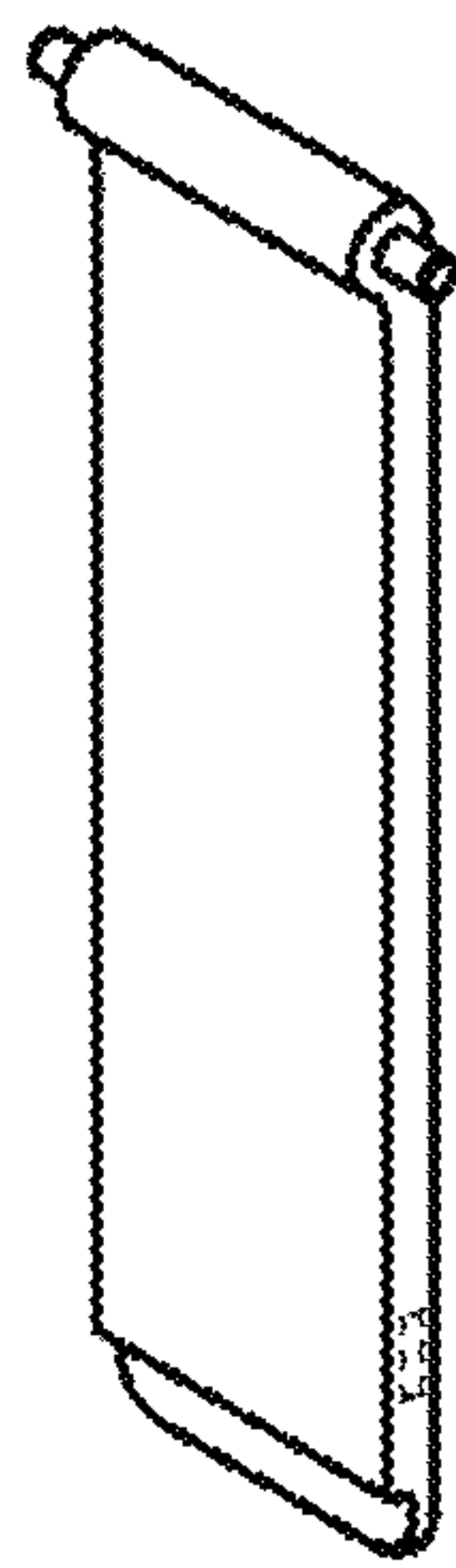


FIG. 14

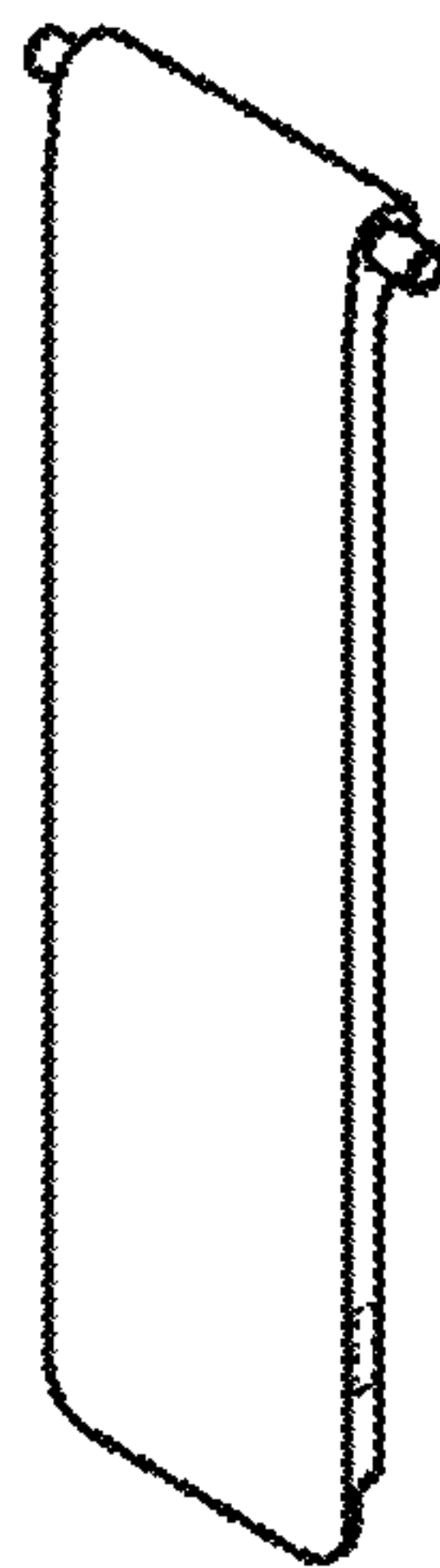


FIG. 15

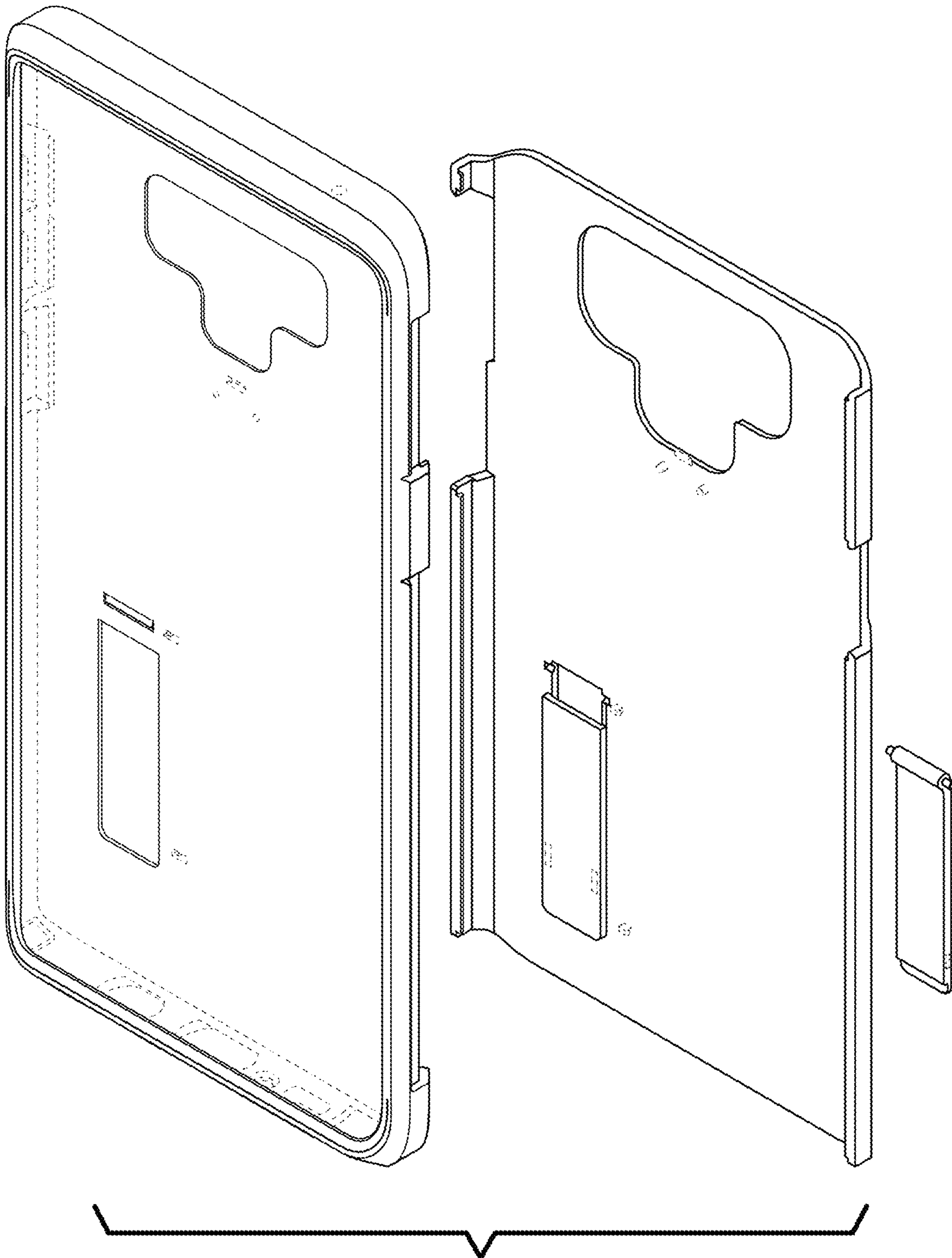


FIG. 16

