

US00D902910S

(12) **United States Design Patent** (10) **Patent No.:** **US D902,910 S**
Kim (45) **Date of Patent:** **** Nov. 24, 2020**

(54) **CASE FOR ELECTRONIC COMMUNICATIONS DEVICE**

(71) Applicant: **SPIGEN KOREA CO., LTD.**, Seoul (KR)

(72) Inventor: **Seung Joo Kim**, Seoul (KR)

(73) Assignee: **Spigen Korea Co., LTD.**, Seoul (KR)

(**) Term: **15 Years**

(21) Appl. No.: **29/657,057**

(22) Filed: **Jul. 18, 2018**

(51) **LOC (12) Cl.** **14-03**

(52) **U.S. Cl.**
 USPC **D14/250**

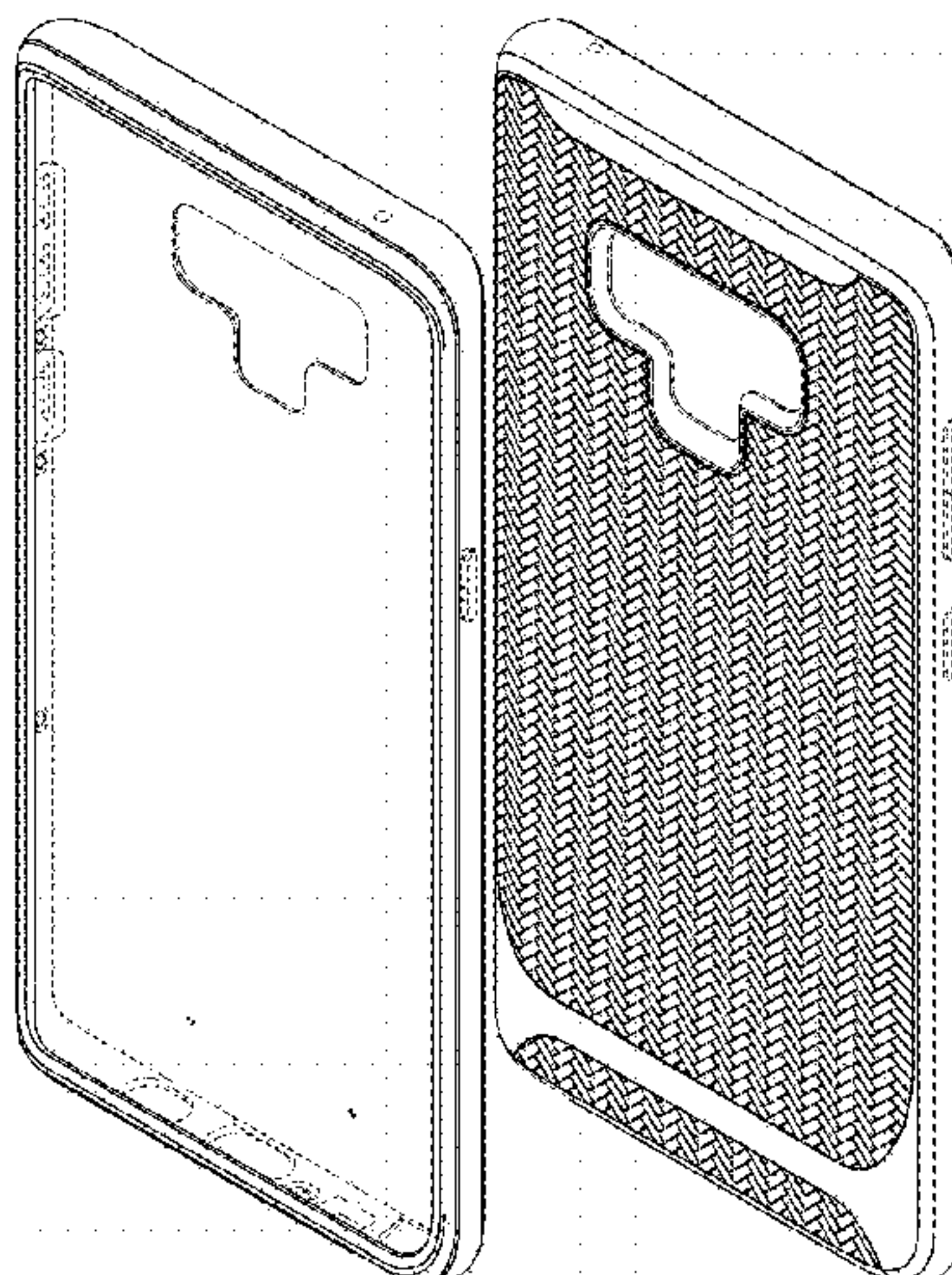
(58) **Field of Classification Search**
 USPC D14/248, 439, 203.3–203.7, 447, 238.1, D14/251–253, 217, 240, 250, 440; D3/201, 218, 247, 269, 273, 301, 303; D13/103, 107–108, 119
 CPC H04B 1/3888; H04M 1/0283; H04M 1/0202; A45C 1/06; A45C 11/00; A45C 13/02; A45C 2011/002; A45F 2005/026; A45F 2200/0525; A45F 2200/0516
 See application file for complete search history.

(56) **References Cited**

U.S. PATENT DOCUMENTS

D574,819 S 8/2008 Andre et al.
 D609,672 S * 2/2010 Lee D14/138 AA
 D615,077 S 5/2010 Richardson et al.
 D615,536 S 5/2010 Richardson et al.
 D623,639 S 9/2010 Richardson et al.
 D623,640 S 9/2010 Freeman
 D624,910 S * 10/2010 Richardson D14/250
 D637,987 S * 5/2011 Bae D14/138 AA
 D639,263 S * 6/2011 Lee D14/138 AA
 D640,246 S * 6/2011 Liu D14/248
 D643,029 S 8/2011 Feng
 D643,836 S * 8/2011 Smith D14/250
 D643,837 S 8/2011 Smith
 D644,635 S * 9/2011 Richardson D14/250

D662,929 S 7/2012 Fahrendorff et al.
 D671,930 S 12/2012 Akana et al.
 D673,539 S 1/2013 Magness et al.
 D674,789 S 1/2013 Wen
 D679,695 S 4/2013 Fahrendorff et al.
 D694,224 S 11/2013 Wooseung
 D696,238 S 12/2013 Murchison et al.
 D696,240 S 12/2013 Kim et al.
 D709,649 S 4/2014 Wikel et al.
 D706,255 S 6/2014 Akana et al.
 D713,397 S * 9/2014 Du D14/250
 D713,834 S * 9/2014 Almstrom D14/250
 D714,276 S 9/2014 Hu et al.
 D714,278 S * 9/2014 Case D14/250
 D716,782 S * 11/2014 Macrina D14/250
 D721,068 S * 1/2015 Melanson D14/250
 D721,071 S 1/2015 Nelson et al.
 D721,072 S 1/2015 Laffon de Mazieres et al.
 D721,360 S 1/2015 Laffon de Mazieres et al.
 D721,693 S 1/2015 Lee et al.
 D739,394 S 9/2015 Rayner et al.
 D741,845 S 10/2015 Kim
 D743,388 S * 11/2015 Fitzpatrick D14/250
 D745,506 S * 12/2015 Barfoot D14/250
 D746,805 S 1/2016 Kim
 D748,612 S * 2/2016 Chan D14/250
 D756,339 S * 5/2016 Tussy D14/250
 D756,343 S 5/2016 Wall et al.
 D763,241 S 8/2016 Kim
 D765,627 S 9/2016 Watt
 D765,633 S 9/2016 Northrup et al.
 D765,645 S 9/2016 Kim
 D771,612 S 11/2016 Roberts et al.
 D771,613 S 11/2016 Poon et al.
 D773,445 S 12/2016 Witter et al.
 D776,647 S 1/2017 Kim
 D777,157 S 1/2017 Kim
 D777,159 S 1/2017 Lee et al.
 D779,471 S 2/2017 Tien
 D781,835 S 3/2017 Kim et al.
 D781,836 S 3/2017 Kim et al.
 D781,837 S 3/2017 Kim et al.
 D781,838 S 3/2017 Kim et al.
 D781,839 S 3/2017 Kim et al.
 D781,840 S 3/2017 Kim et al.
 D782,453 S 3/2017 Kim et al.
 D782,454 S 3/2017 Kim et al.
 D784,309 S 4/2017 Lee et al.
 D786,848 S 5/2017 Park et al.
 D786,849 S 5/2017 Park et al.
 D786,851 S * 5/2017 Kim D14/250
 D792,394 S 7/2017 Lee et al.
 D794,003 S * 8/2017 Chen D14/248



D795,237 S	8/2017	Jung et al.	
D797,715 S	9/2017	Kim	
D798,286 S	9/2017	Roberts et al.	
D798,853 S	10/2017	Park et al.	
D800,714 S	10/2017	Lee et al.	
D801,322 S	10/2017	Song et al.	
D801,323 S	10/2017	Kim	
D805,064 S	12/2017	Lee et al.	
D805,507 S	12/2017	Jakobuco	
D806,060 S *	12/2017	Kim	D14/250
D807,337 S	1/2018	Kim et al.	
D813,854 S	3/2018	Lee et al.	
D816,655 S	5/2018	Dennis et al.	
D823,290 S *	7/2018	Kim	D14/250
D829,702 S *	10/2018	Jung	D14/250
D831,633 S *	10/2018	Jung	D14/250
2015/0053583 A1 *	2/2015	McCormick	A45C 11/00 206/521
2016/0324025 A1 *	11/2016	Bustle	B29C 45/14311
2017/0077597 A1 *	3/2017	Gong	H04M 1/026
2018/0262227 A1 *	9/2018	Lee	H04B 1/3888

OTHER PUBLICATIONS

Review of Samsung S8/S8 Plus Spigen Neo Hybrid Case, published Jun. 7, 2017, URL:<<https://www.youtube.com/watch?v=EPX5kPzYSvY>>, retrieved from internet on Nov. 30, 2018.*

“Caseology Parallax Series iPhone 7 Plus / 8 Plus Cover Case with Design Slim Protective for Apple iPhone 7 Plus (2016) / iPhone 8 Plus (2017)—Matte Black”, https://www.amazon.com/dp/B01LY50PST/ref=sspa_dk_detail_2?psc=1&pd_rd_i=B01LY50PST&pd_rd_wg=icXr2&pd_rd_r=GH162EAFZNP50Z3MFQ31&pd_rd_w=csf1K, Earliest review date of Sep. 9, 2016.

“iPhone 6S Plus Case, Caseology [Wavelength Series] Slim Fit Military-Grade Drop Protection [Navy Blue] for Apple iPhone 6S Plus (2015) & iPhone 6 Plus (2014)”, <https://www.amazon.com/iPhone-Caseology-Wavelength-Military-Grade-Protection/dp/B013W2C77G>, Earliest review date of Sep. 10, 2015.

“Gold Apple iPhone 5 5S Hybrid Shockproof Hard Bumper Soft Case Cover Skin”, <https://www.nywatchstore.com/goapip55shys.html>.

“Rock PC+TPU Neo Hybrid Durable Slim Armor cover case for iphone X 6S 5S SE Plus”, <https://www.ebay.com/itm/ROCK-PC-TPU-Neo-Hybrid-Durable-Slim-Armor-cover-case-for-iphone-X-6S-5S-SE-Plus-/111952466831>.

“Rock Royce Hybrid Case for Apple iPhone 5 5S & SE Iron Grey”, <https://www.gadgetwear.co.uk/products/rock-royce-hybrid-case-for-apple-iphone-5-5s-se-iron-grey>, Earliest review date of Aug. 26, 2016.

George Tinari, “Caseology review: Testing 4 of the nicest iPhone 6s cases available”, published Nov. 28, 2015, accessed at <http://www.cultofmac.com/399325/caseology-review/>.

“iPhone SE Case, For Apple iPhone 5S/5 Case, Rock [Royce] Anti-scratch Drop Protection Slim Fit Dual Layered Heavy Duty Armor Hybrid Hard PC + Soft TPU Protective Shell Case—Champagne Gold/Black”, <https://www.amazon.com/ROCKAntiscratchProtectionLayeredProtective/dp/B014A8AM7I>, Earliest review date of Oct. 16, 2015.

“Spigen Neo Hybrid Galaxy S8 Case Herringbone with Flexible Inner Protection and Reinforced Hard Bumper Frame for Samsung Galaxy S8 (2017)—Gunmetal”, <https://www.amazon.com/dp/B06XP521V1>, earliest review date of Apr. 6, 2017.

“Spigen Neo Hybrid Galaxy S8 Plus Case Herringbone with Flexible Inner Protection and Reinforced Hard Bumper Frame for Galaxy S8 Plus (2017)—Gunmetal”, <https://www.amazon.com/dp/B06XP6CRP5>, earliest review date of Apr. 2, 2017.

“Spigen Neo Hybrid Huawei P10 Lite Case with Flexible Inner Protection and Reinforced Hard Bumper Frame for Huawei P10 Lite (2017)—Satin Silver”, <https://www.amazon.com/dp/B06XCT9GXB>, earliest review date of Jun. 24, 2017.

“Spigen Neo Hybrid LG G6 Case Herringbone with Flexible Inner Protection and Reinforced Hard Bumper Frame for LG G6 (2017)—Gunmetal”, <https://www.amazon.com/dp/B01N4QCEHA>, earliest review date of Mar. 25, 2017.

* cited by examiner

Primary Examiner — Carla J Wright

(74) Attorney, Agent, or Firm — Heedong Chae; Lucem, PC

(57) CLAIM

The ornamental design for a case for electronic communications device, as shown and described.

DESCRIPTION

FIG. 1 is a front perspective view of a case for electronic communications device showing my new design; FIG. 2 is a rear perspective view thereof; FIG. 3 is a front elevational view thereof; FIG. 4 is a rear elevational view thereof; FIG. 5 is a left side elevational view thereof; FIG. 6 is a right side elevational view thereof; FIG. 7 is a top plan view thereof; FIG. 8 is a bottom plan view thereof; FIG. 9 is a front perspective view of the inner shell component of the case shown separately for clarity of disclosure; FIG. 10 is a rear perspective view of the inner shell component of the case shown separately for clarity of disclosure; FIG. 11 is a front perspective view of the outer frame component of the case shown separately for clarity of disclosure; FIG. 12 is a rear perspective view of the outer frame component of the case shown separately for clarity of disclosure; FIG. 13 is an exploded front perspective view showing the components of the case separated for clarity of disclosure; FIG. 14 is an exploded rear perspective view showing the components of the case separated for clarity of disclosure; and, FIG. 15 is an enlarged detail view of the encircled region of FIG. 4.

Although the case for electronic communications device, in which the claimed design is embodied, consists of an inner shell component and an outer frame component, the claim is directed to the overall ornamental appearance of the case for electronic communications device in its entirety and does not extend to the ornamental appearance of each of the individual components.

The dot-dash broken line circle in FIGS. 4 and 15 delineates a portion of the case for electronic communications device that is part of the claimed design and that is shown on an enlarged scale in FIG. 15. The dashed broken lines throughout the drawing figures depict portions of the case that form no part of the claimed design. The broken lines, regions bounded by dashed broken lines, and the interior of the case shown in FIGS. 1, 3, 9, and 13 form no part of the claimed design.

1 Claim, 15 Drawing Sheets

FIG. 1

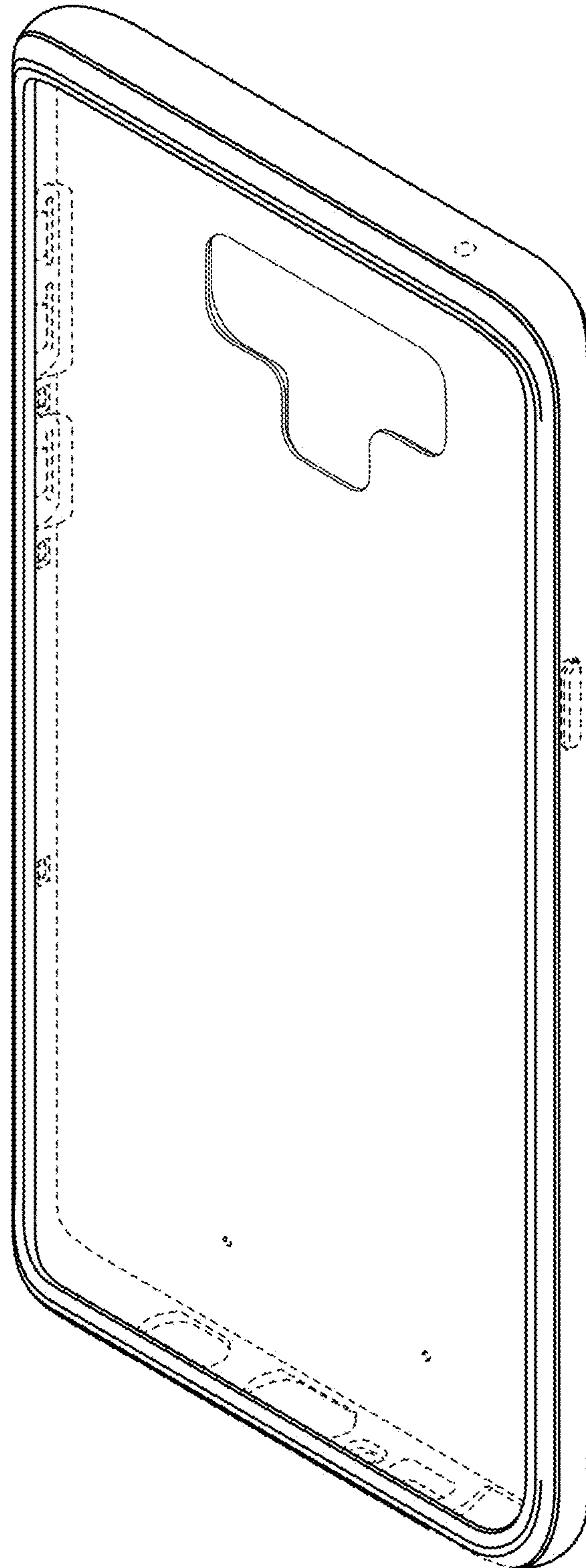


FIG. 2

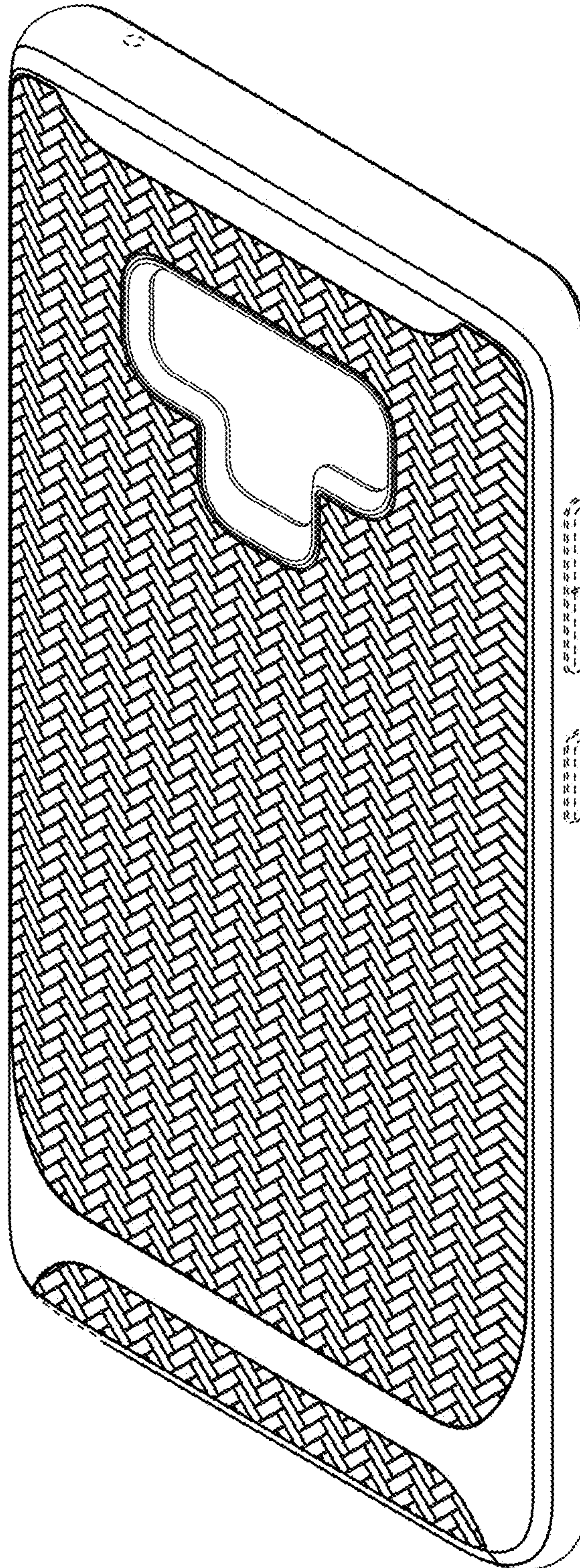


FIG. 3

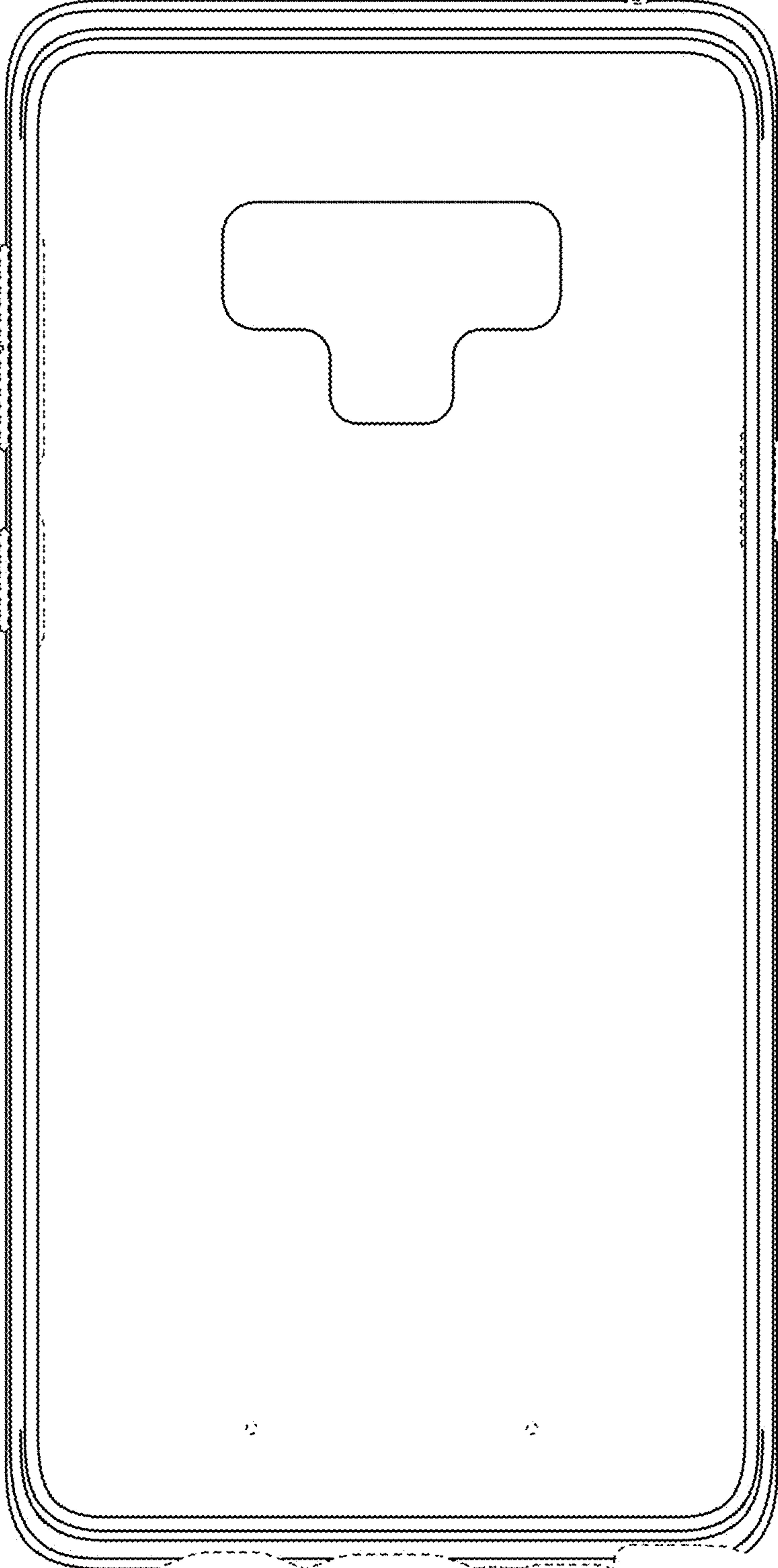


FIG. 4

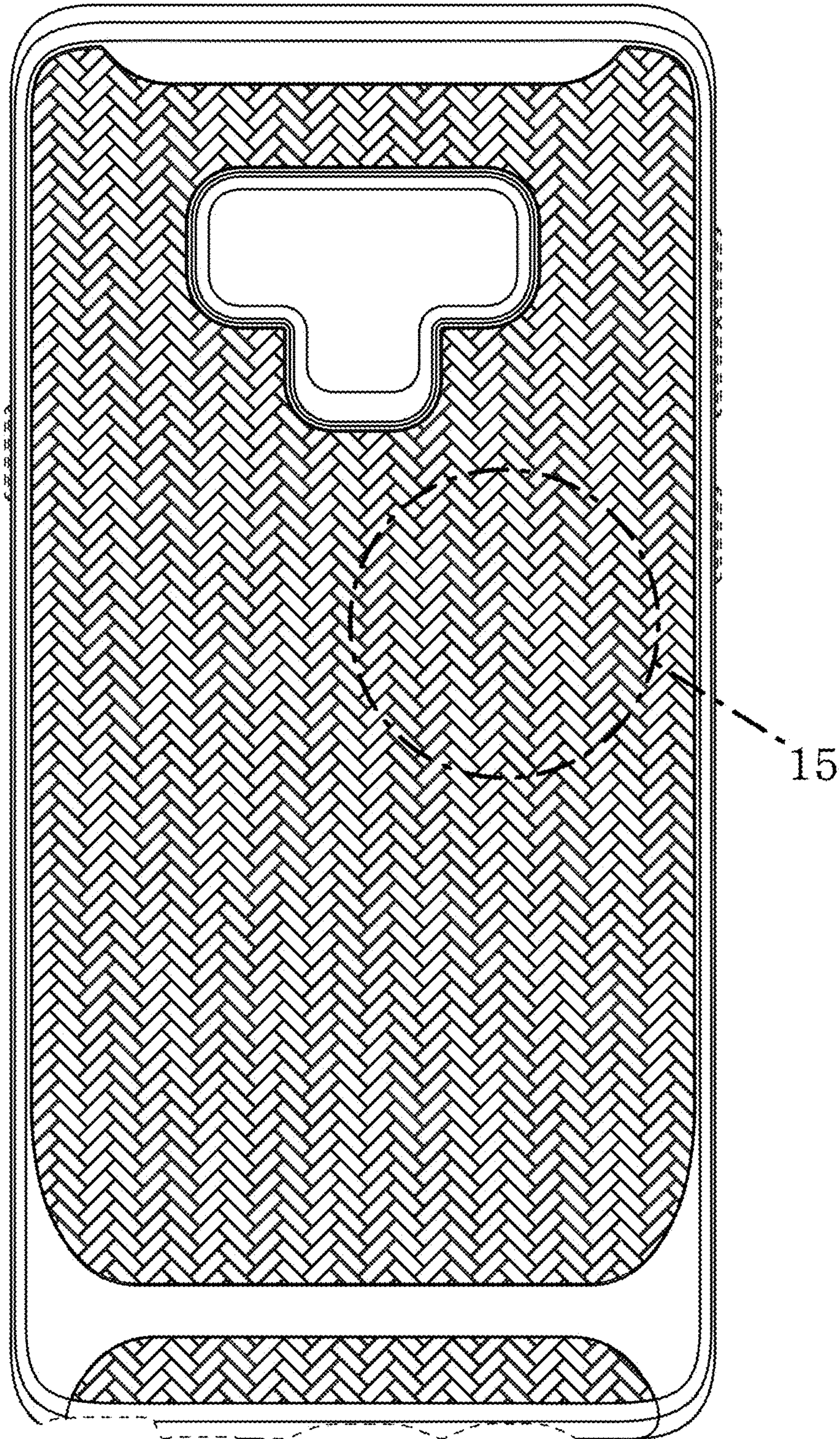


FIG. 5

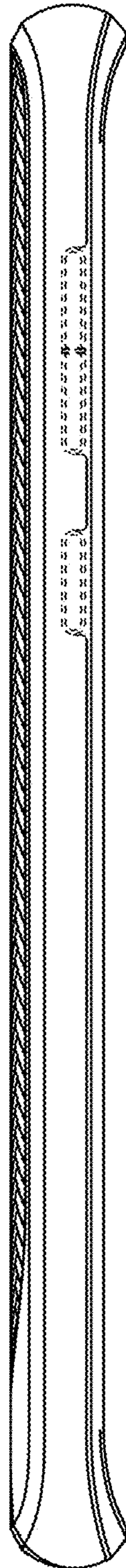


FIG. 6

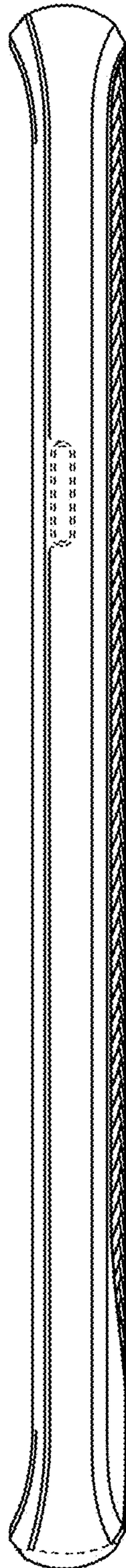


FIG. 7

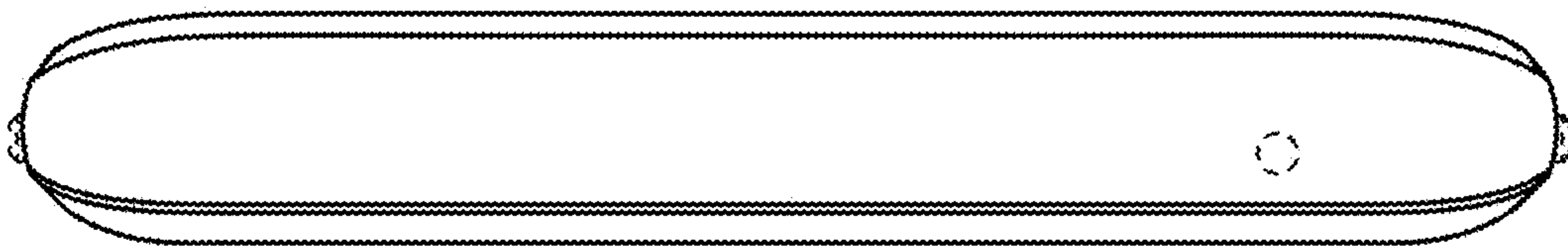


FIG. 8

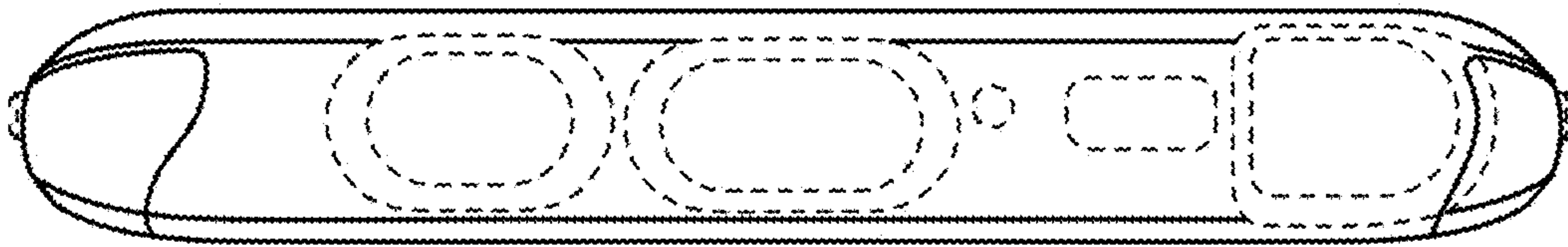


FIG. 9

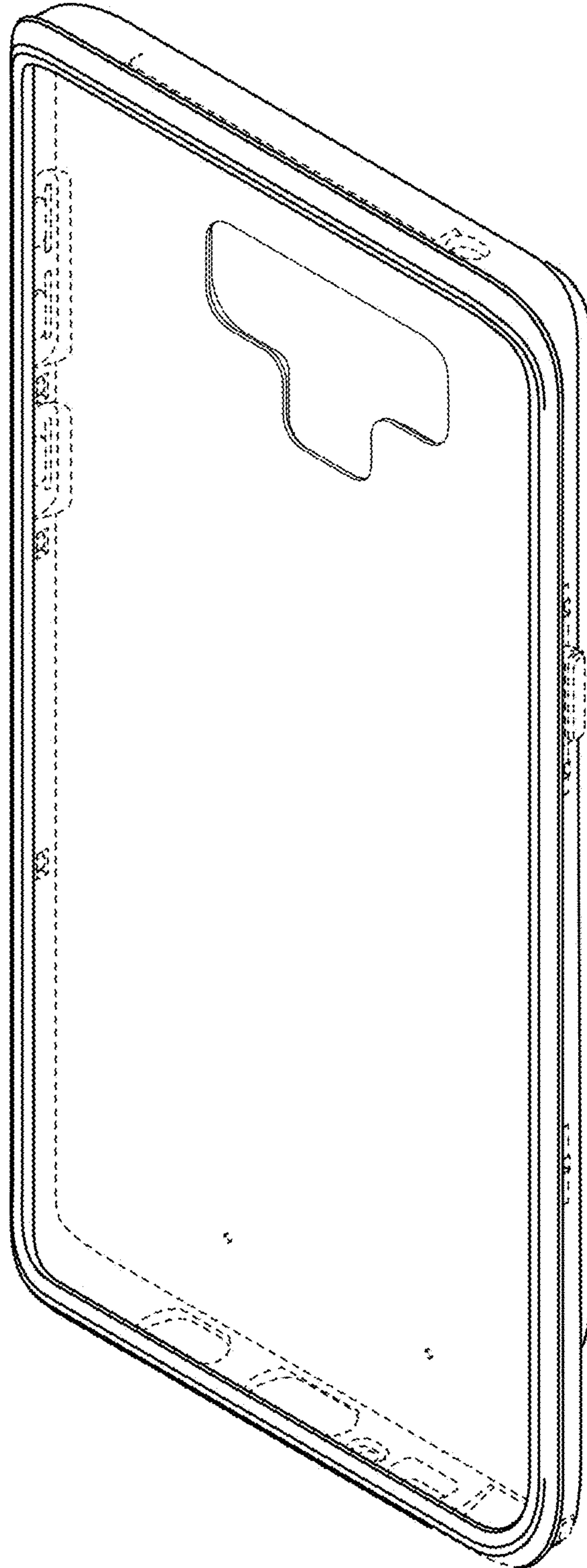


FIG. 10

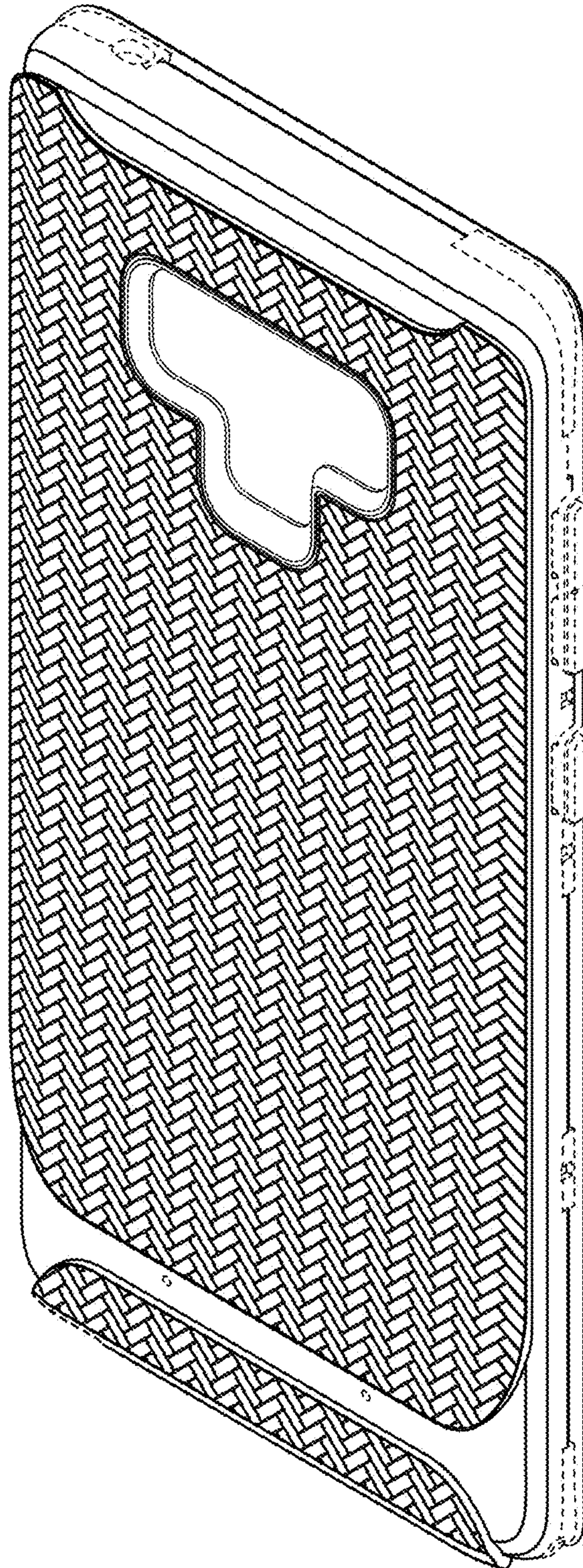


FIG. 11

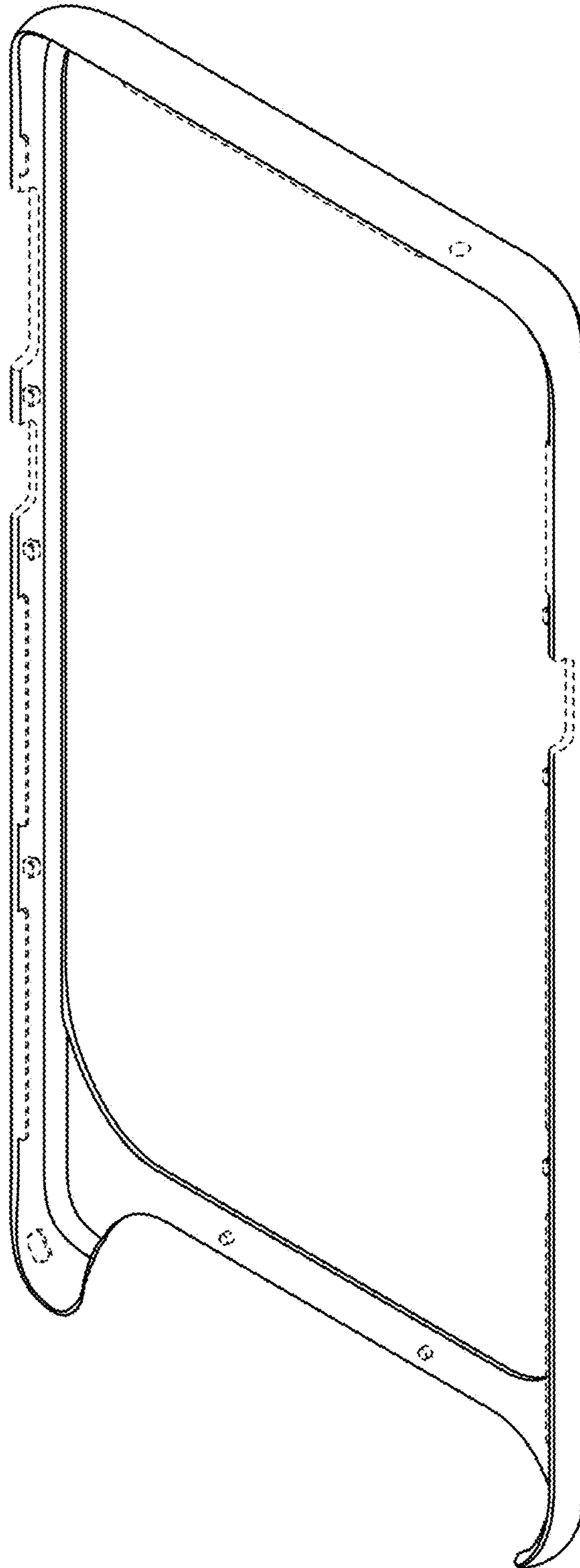


FIG. 12

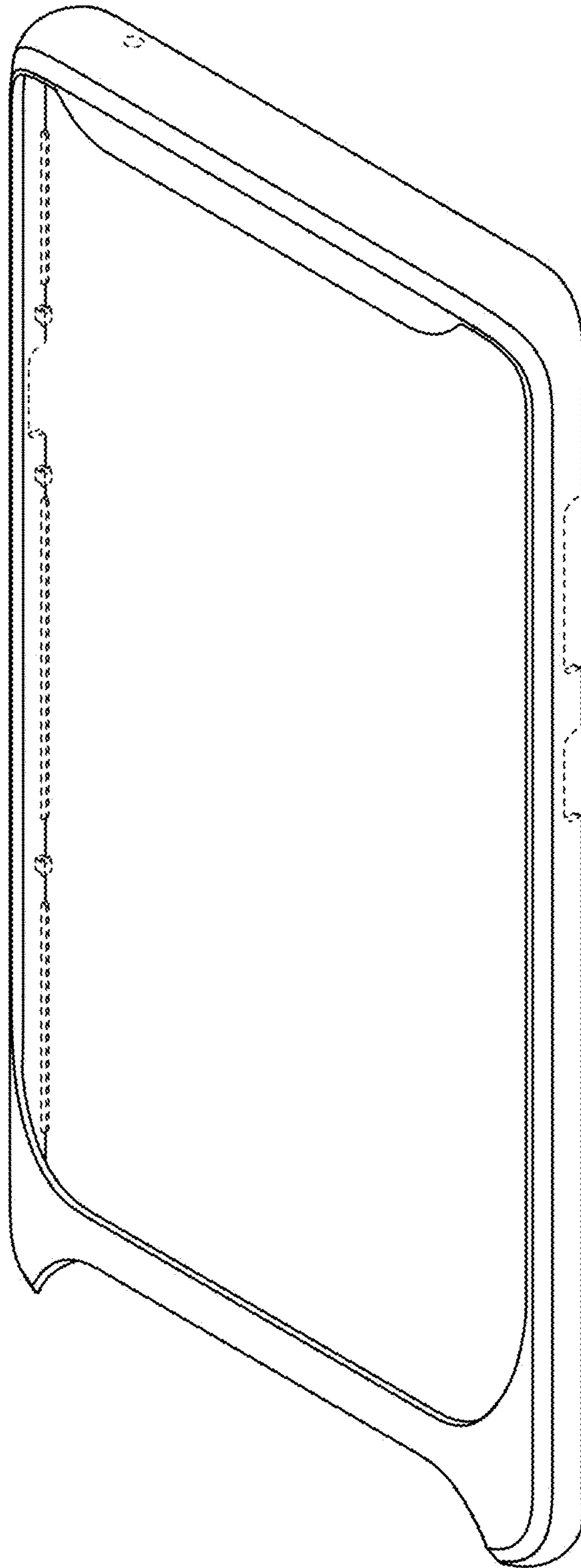


FIG. 13

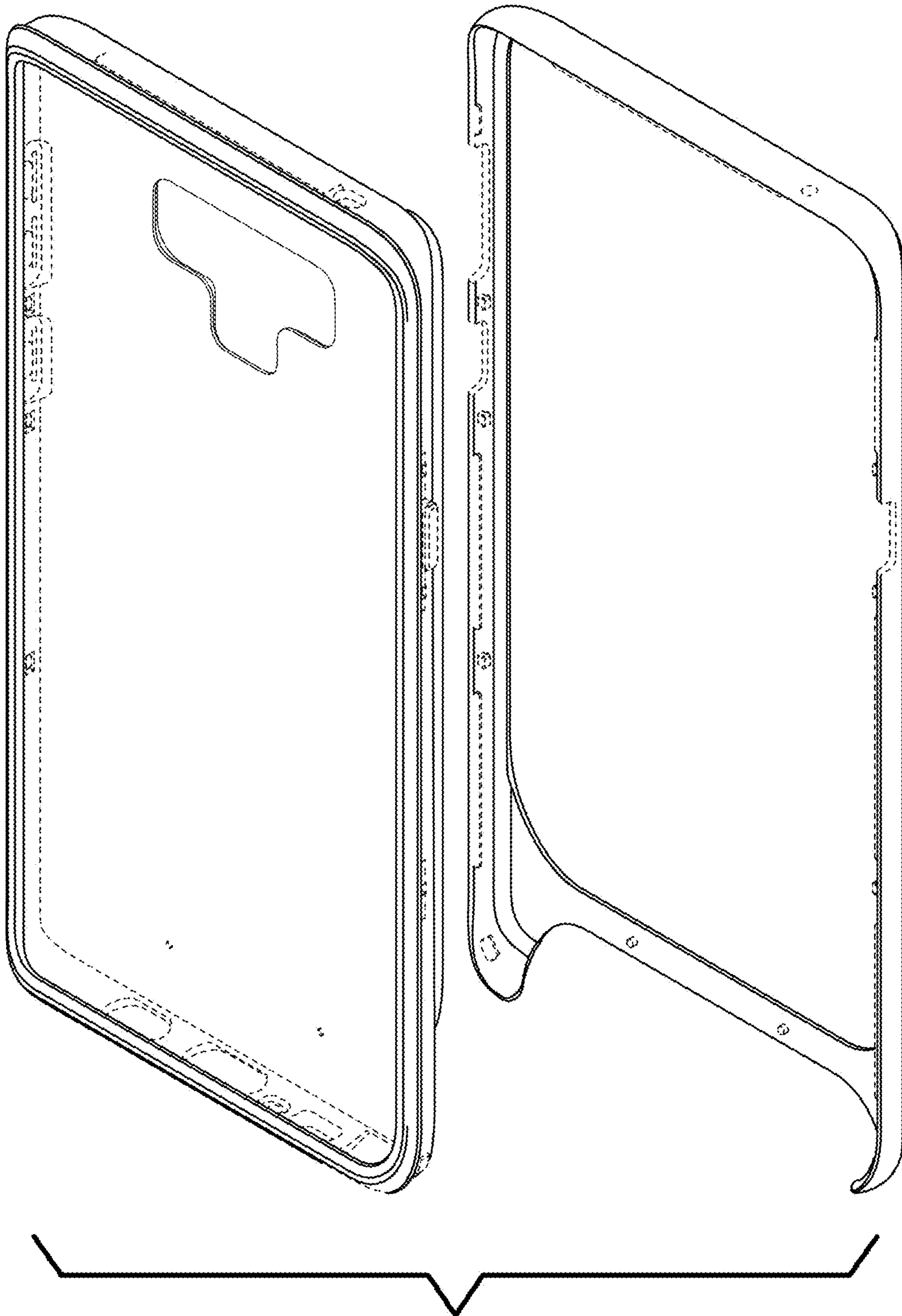


FIG. 14

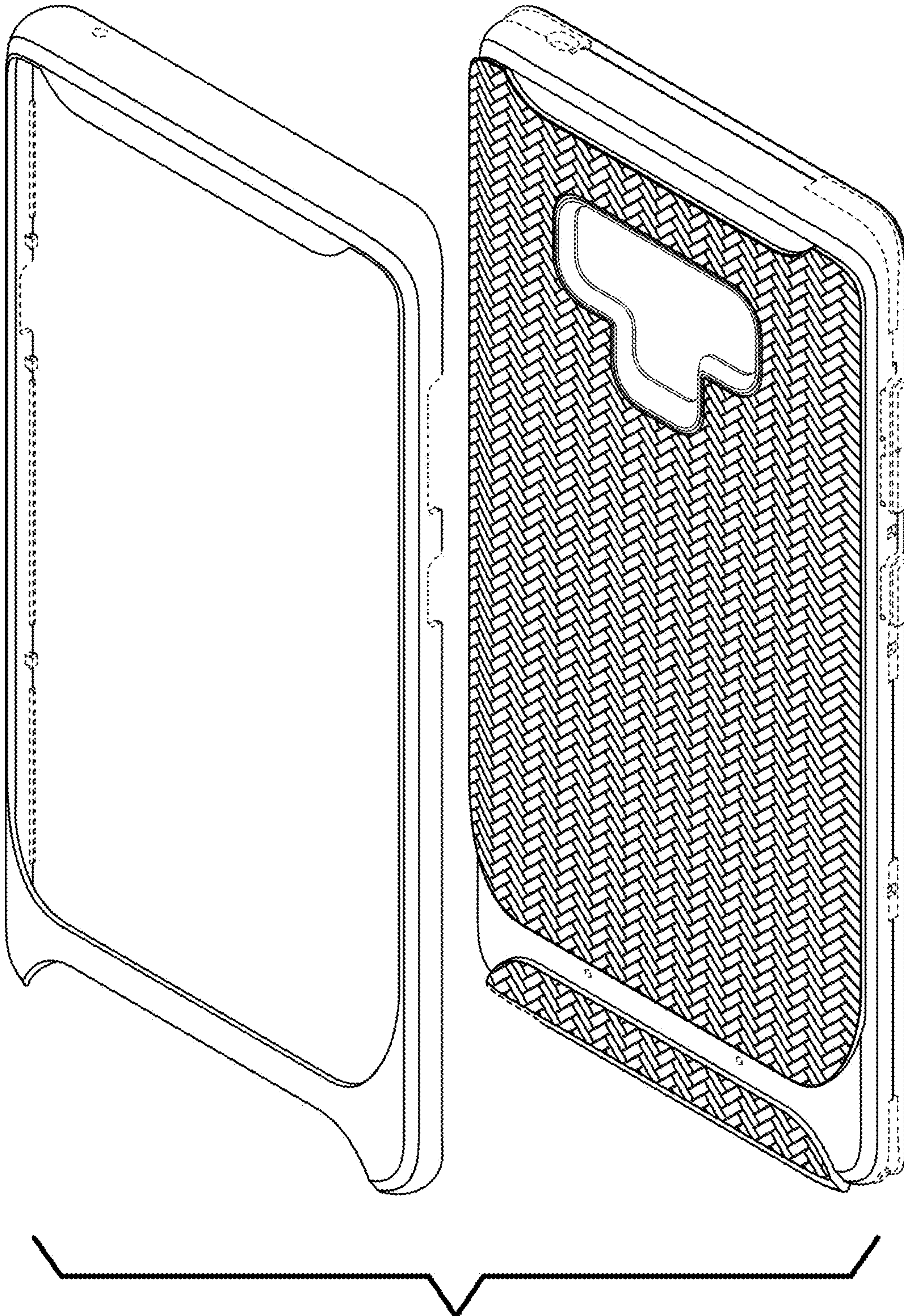


FIG. 15

