



US00D902908S

(12) **United States Design Patent** (10) **Patent No.:** **US D902,908 S**
Kim et al. (45) **Date of Patent:** **** *Nov. 24, 2020**

(54) **CASE FOR ELECTRONIC COMMUNICATIONS DEVICE**

URL: <https://www.wiknix.com/10-best-samsung-galaxy-note-4-cases/>; retrieved from internet on Aug. 3, 2017.*

(Continued)

(71) Applicant: **SPIGEN KOREA CO., LTD.**, Seoul (KR)

Primary Examiner — Carla J Wright

(72) Inventors: **Dae-Young Kim**, Seoul (KR); **Soo Ha Jung**, Seoul (KR)

(74) *Attorney, Agent, or Firm* — Heedong Chae; Lucem, PC

(73) Assignee: **Spigen Korea CO., LTD.**, Seoul (KR)

(57) **CLAIM**

The ornamental design for a case for electronic communications device, as shown and described.

(*) Notice: This patent is subject to a terminal disclaimer.

DESCRIPTION

(**) Term: **15 Years**

FIG. 1 is a front perspective view of a case for electronic communications device showing our new design;

(21) Appl. No.: **29/581,259**

FIG. 2 is a rear perspective view thereof;

(22) Filed: **Oct. 17, 2016**

FIG. 3 is a front elevational view thereof;

FIG. 4 is a rear elevational view thereof;

Related U.S. Application Data

(63) Continuation-in-part of application No. 29/575,411, filed on Aug. 24, 2016.

FIG. 5 is a left side elevational view thereof;

FIG. 6 is a right side elevational view thereof;

(51) **LOC (12) Cl.** **14-03**

FIG. 7 is a top plan view thereof;

FIG. 8 is a bottom plan view thereof;

(52) **U.S. Cl.**

USPC **D14/250**

FIG. 9 is an exploded front perspective view thereof with the components of the case shown separated for clarity of disclosure;

(58) **Field of Classification Search**

USPC D14/248, 439, 203.3–203.7, 217, 240, D14/447, 251–253, 238.1, 440, 250;

FIG. 10 is an exploded rear perspective view thereof with the components of the case shown separated for clarity of disclosure;

FIG. 11 is a front perspective view of the transparent inner shell component of the case shown in isolation for clarity of disclosure;

(Continued)

FIG. 12 is a rear perspective view thereof shown in isolation for clarity of disclosure;

(56) **References Cited**

U.S. PATENT DOCUMENTS

D619,361 S 7/2010 Andre et al.
D624,064 S * 9/2010 Esposito D14/250

FIG. 13 is a front perspective view of the outer frame component of the case shown in isolation for clarity of disclosure;

FIG. 14 is a rear perspective view thereof shown in isolation for clarity of disclosure;

(Continued)

FIG. 15 is a front perspective view of the rear compartment cover component of the case shown in isolation for clarity of disclosure;

OTHER PUBLICATIONS

10 Best Samsung Galaxy Note 4 Cases with enlarged view of Verus Card Slot Case for Galaxy Note 4; last updated on Jun. 22, 2017;

FIG. 16 is a rear perspective view thereof shown in isolation for clarity of disclosure; and,

(Continued)

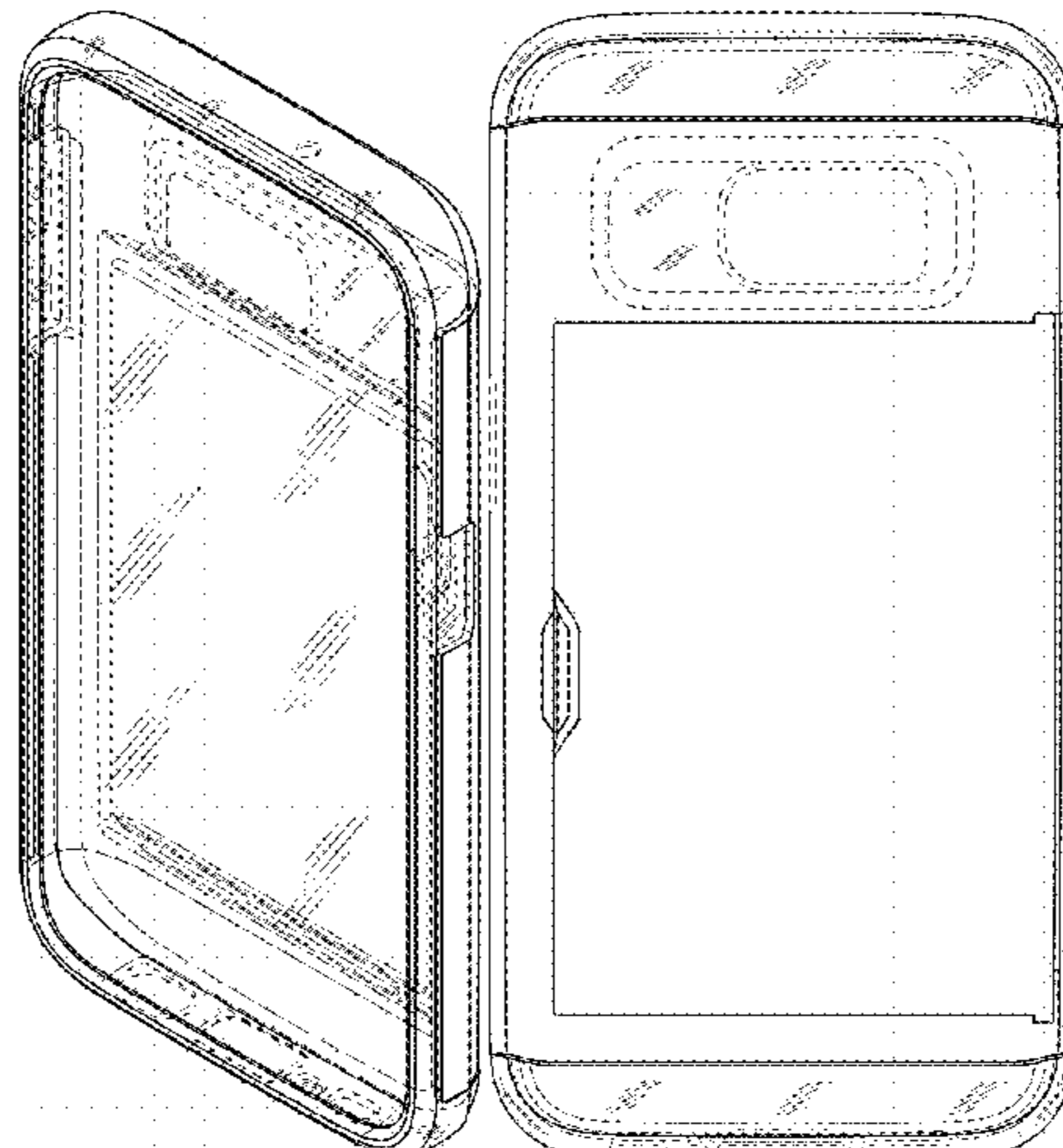


FIG. 17 is a rear perspective view of the case for electronic communications device showing the cover of the rear storage compartment in an open position.

The case for electronic communications device, in which the claimed design is embodied, consists of a transparent inner shell, opaque outer frame, and opaque rear storage compartment cover. The claim is directed to the ornamental appearance of the case for electronic communications device in its entirety and does not extend to the ornamental appearance of the individual components of the case for electronic communications device.

The broken lines throughout the drawing figures depict portions of the case for electronic communications device that form no part of the claimed design. The broken lines and regions bounded by broken lines form no part of the claimed design.

1 Claim, 17 Drawing Sheets

(58) **Field of Classification Search**

USPC D3/201, 218, 247, 269, 273, 301, 303;
D13/103, 107–108, 119
CPC H04B 1/3888; H04M 1/0283; H04M
1/0202; A45C 1/06; A45C 2011/002;
A45C 11/00; A45C 13/02; A45F
2005/026; A45F 2200/0525; A45F
2200/0516

See application file for complete search history.

(56) **References Cited**

U.S. PATENT DOCUMENTS

D625,920	S	*	10/2010	Lyon	D3/247
D631,246	S	*	1/2011	Boettner	D3/203.2
D646,265	S		10/2011	Fathollahi		
D650,371	S		12/2011	Wibby et al.		
D651,791	S	*	1/2012	Cataldo	D3/218
D663,263	S		7/2012	Gupta et al.		
D681,615	S		5/2013	Fathollahi		
D681,620	S	*	5/2013	Huskinson	D14/250
D682,196	S		5/2013	Leung		
D688,654	S	*	8/2013	Stevinson	D14/250
D688,655	S	*	8/2013	Rey-Hipolito	D14/250
8,504,127	B2		8/2013	Altschul et al.		
8,517,172	B1		8/2013	Chang		
D703,651	S	*	4/2014	Ehrlich	D14/250
D705,764	S	*	5/2014	Thoni	D14/250
8,726,952	B2		5/2014	Jambunathan et al.		
D707,965	S		7/2014	Requa		
D712,890	S	*	9/2014	McCormac	D14/250
D712,891	S	*	9/2014	Fathollahi	D14/250
D716,045	S		10/2014	Requa		
D723,532	S	*	3/2015	Stevinson	D14/250
8,971,975	B2		3/2015	Ramies et al.		
9,049,283	B1		6/2015	Kim		
D733,714	S	*	7/2015	Ballou	D14/440
D741,845	S		10/2015	Kim		

D743,931	S		11/2015	Hubbard et al.		
9,241,551	B2		1/2016	Lawson et al.		
D749,068	S		2/2016	Zaborski et al.		
D749,557	S	*	2/2016	Feng	D14/250
D753,099	S		4/2016	Kim		
D756,911	S		5/2016	Gupta et al.		
D759,966	S		6/2016	Pignotti		
D761,239	S	*	7/2016	Kim	D14/250
D765,069	S	*	8/2016	Jeffrey	D14/250
D776,101	S	*	1/2017	Poon	D14/250
D776,646	S	*	1/2017	Deng	D14/250
D780,163	S	*	2/2017	Fathollahi	D14/250
9,661,116	B1	*	5/2017	Chung	H04M 1/21
2013/0095898	A1	*	4/2013	Altschul	H04B 1/3888 455/575.8
2014/0370946	A1	*	12/2014	Daniell	H04M 1/0283 455/575.8
2015/0365122	A1	*	12/2015	Kim	H04M 1/21 455/575.8
2016/0113368	A1	*	4/2016	Tu	H04B 1/3888 206/45.23
2016/0374443	A1	*	12/2016	Kim	A45C 11/182 206/38
2017/0086557	A1	*	3/2017	Choi	A45C 15/00

OTHER PUBLICATIONS

“iPhone 6 Case.Verus [Damda Slide][Dark Silver]—[Wallet Card Slot][Heavy Duty Protection] for Apple iPhone 6 4.7”, <https://www.amazon.com/dp/B01EO2PE1O>, Earliest review date of Jul. 3, 2016.

“Galaxy Note 4 Case, Verus [Damda Slide][Dark Silver]—[Wallet Card Slot][Heavy Duty Protection] For Samsung Note 4”, <https://www.amazon.com/Galaxy-Verus-Damda-Slide-Silver/dp/B00MJE6I0G>, Earliest review date of Oct. 26, 2014.

“Galaxy Note 5 Case, Verus [Damda Slide][Dark Silver]—[Wallet Card Slot][Heavy Duty Protection] For Samsung Note 5”, <https://www.amazon.com/dp/B00VN6E8KS>, Earliest review date of Aug. 24, 2015.

“Galaxy S6 Edge Case, Verus [Damda Slide][Dark Silver]—[Wallet Card Slot][Heavy Duty Protection] For Samsung galaxy s6 edge”, <https://www.amazon.com/dp/B00U0MDTEM/>, Earliest review date of Apr. 15, 2015.

“Galaxy S6 Edge Plus Case, Verus [Damda Slide][Dark Silver]—[Wallet Card Slot][Heavy Duty Protection] For Samsung galaxy s6 plus”, <https://www.amazon.com/dp/B013F8CLK0>, Earliest review date of Jun. 29, 2016.

“iPhone 6 Plus Case.Verus [Damda Slide][Dark Silver]—[Wallet Card Slot][Heavy Duty] for Apple iPhone 6 Plus 5.5”, <https://www.amazon.com/dp/B01EO2P5H2>, Earliest review date of Jun. 13, 2016.

“iPhone 6S Case.Verus [Damda Slide][Dark Silver]—[Wallet Card Slot][Heavy Duty Protection] for Apple iPhone 6 6s 4.7”, <https://www.amazon.com/dp/B00M9UBQ2A>, Earliest review date of Oct. 13, 2014.

“iPhone 6S Plus Case.Verus [Damda Slide][Dark Silver]—[Wallet Card Slot][Heavy Duty] for Apple iPhone 6 6s Plus 5.5”, <https://www.amazon.com/dp/B00NHZZ1ZY>, Earliest review date of Oct. 5, 2014.

* cited by examiner

FIG. 1

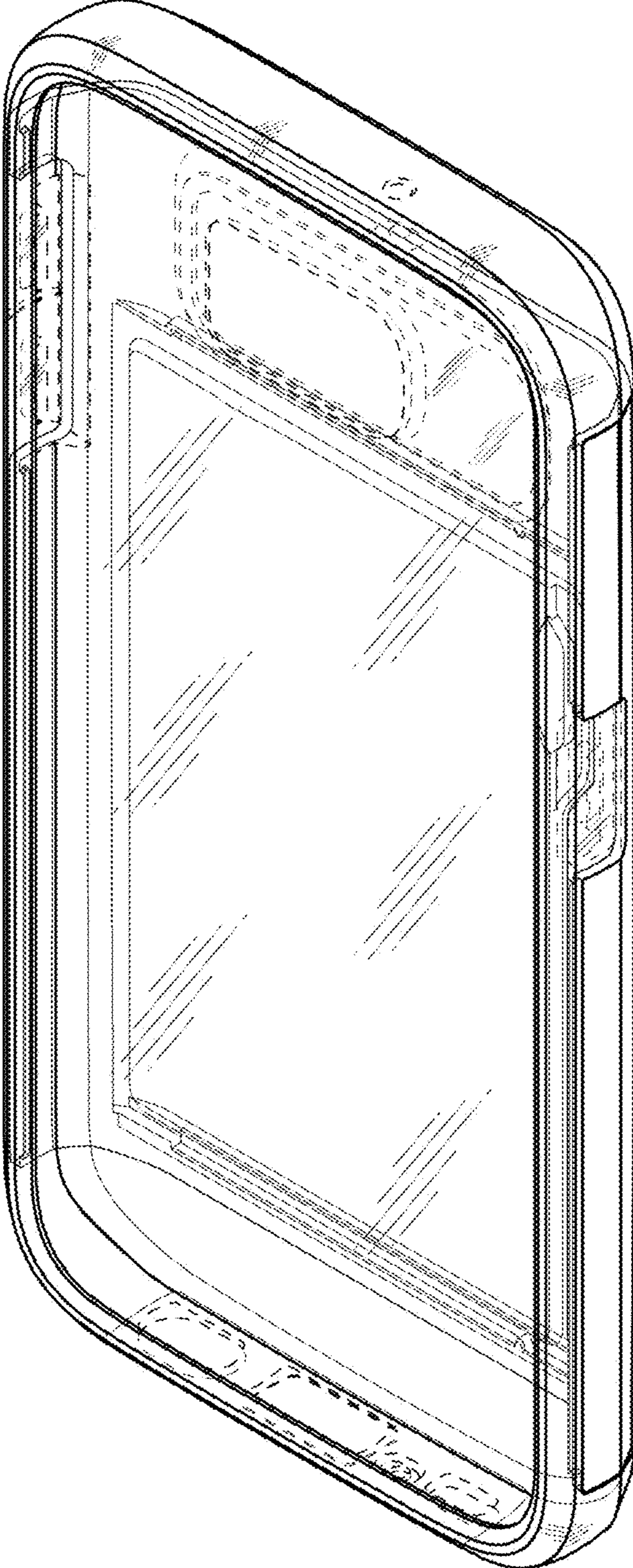


FIG. 2

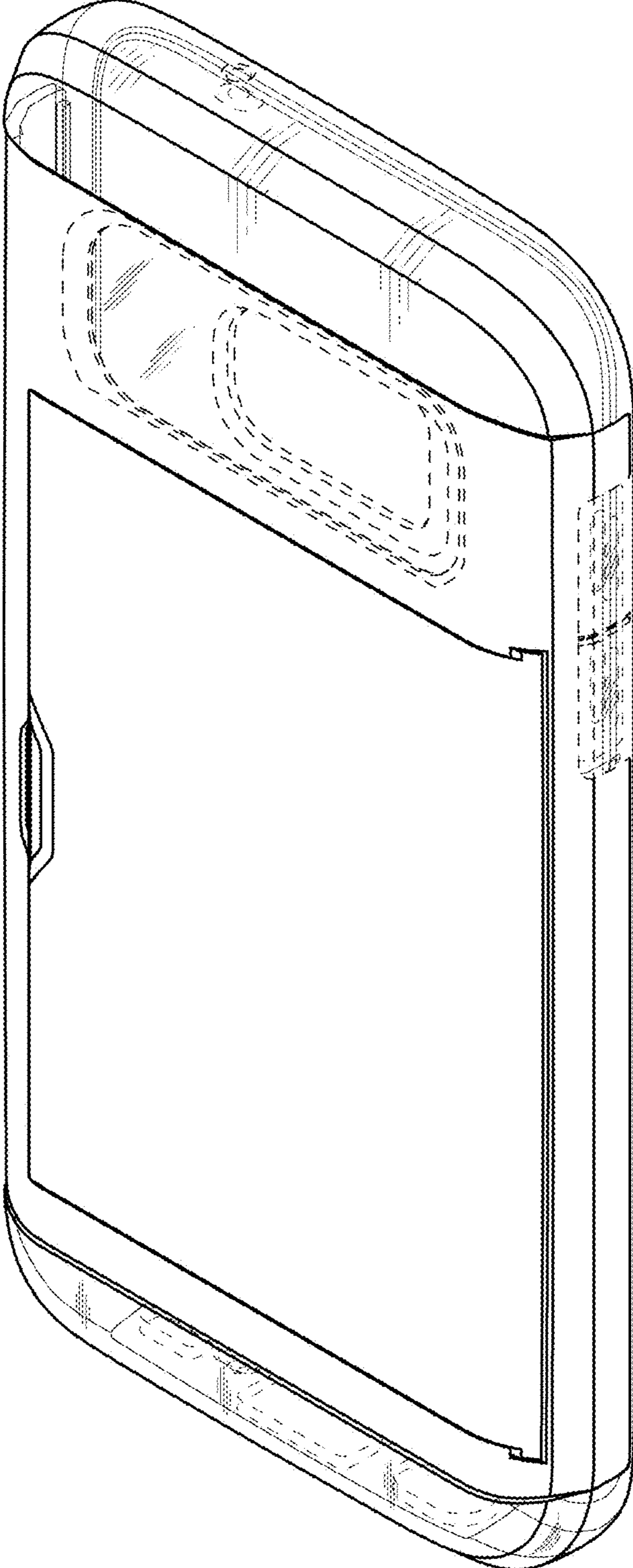


FIG. 3

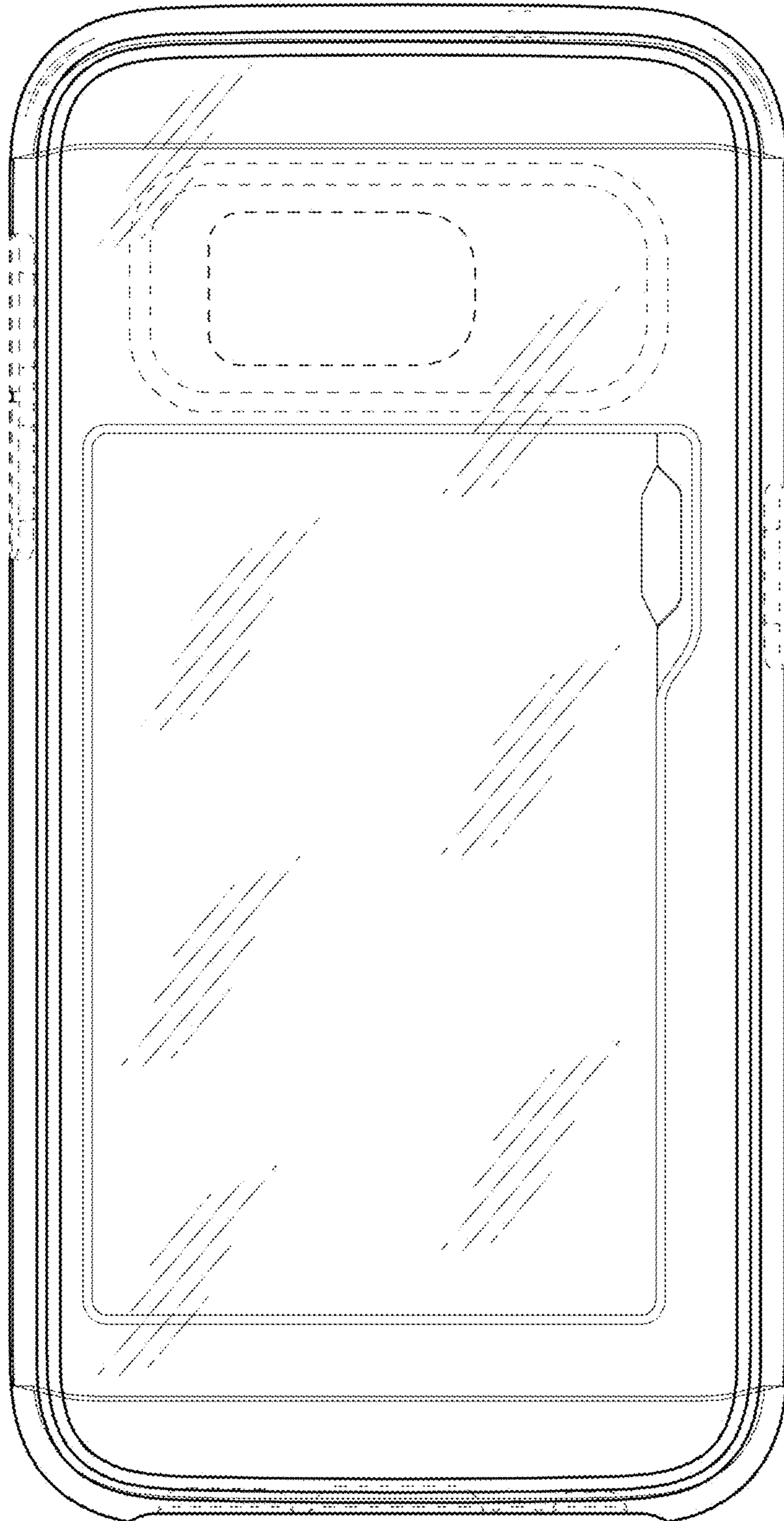


FIG. 4

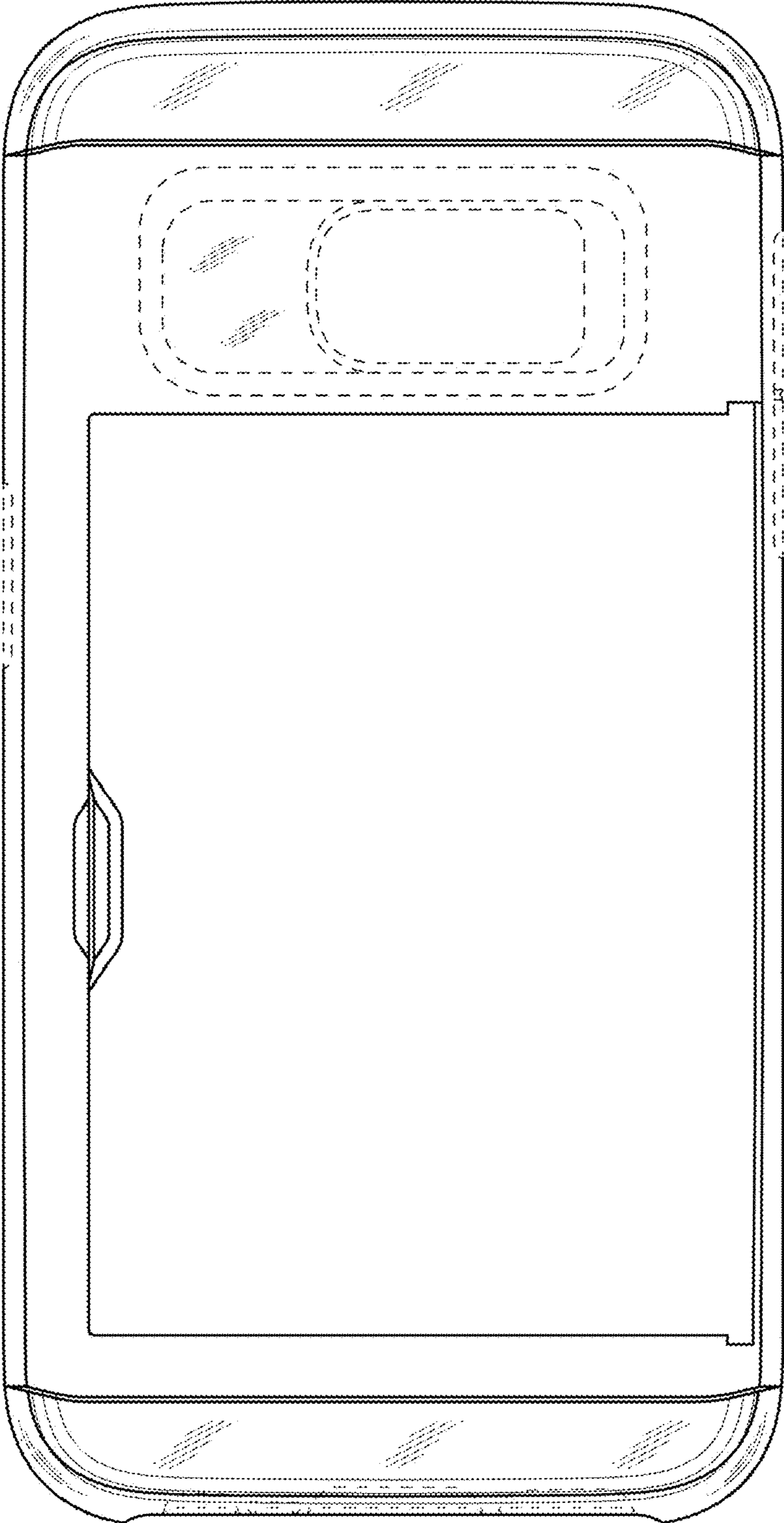


FIG. 5

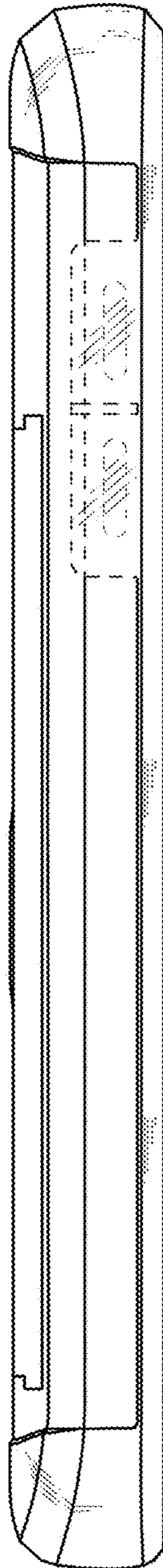


FIG. 6

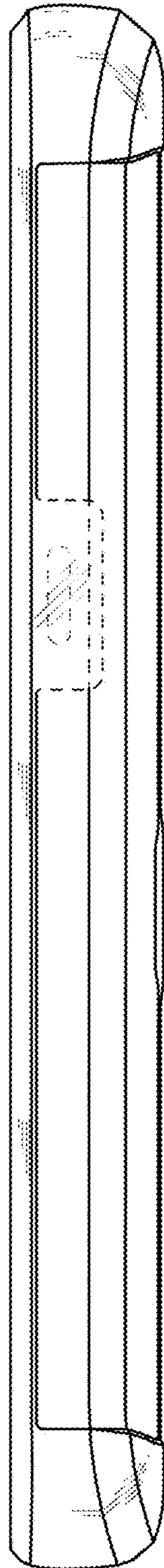


FIG. 7

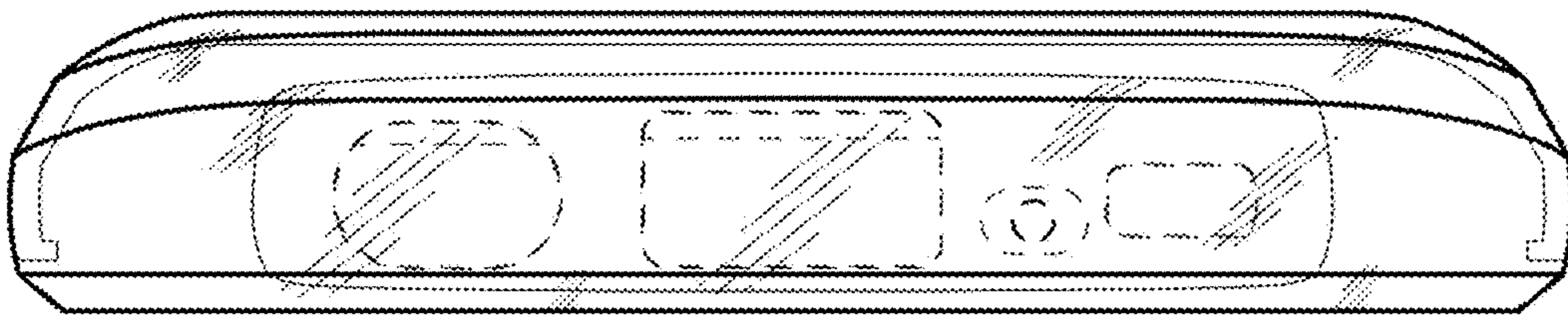


FIG. 8

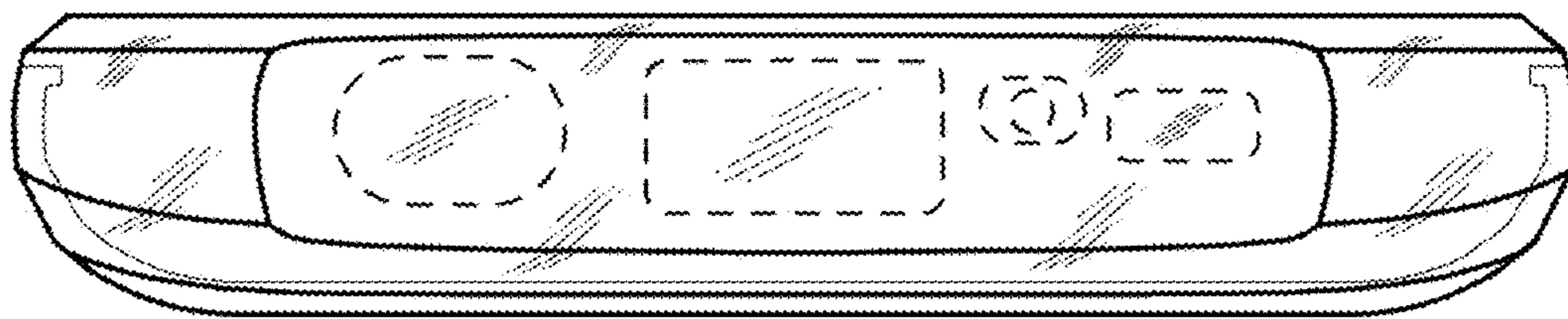


FIG. 9

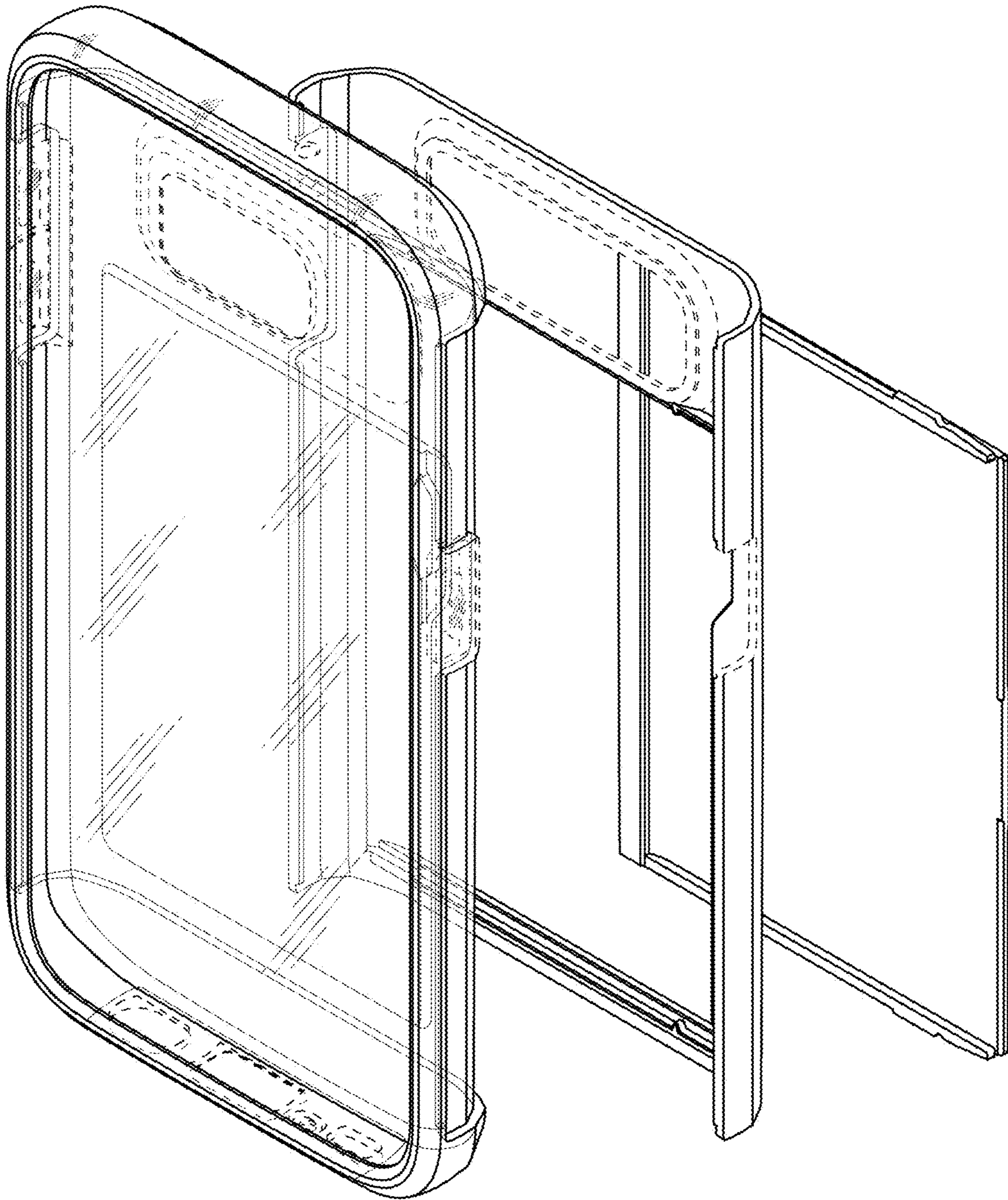


FIG. 10

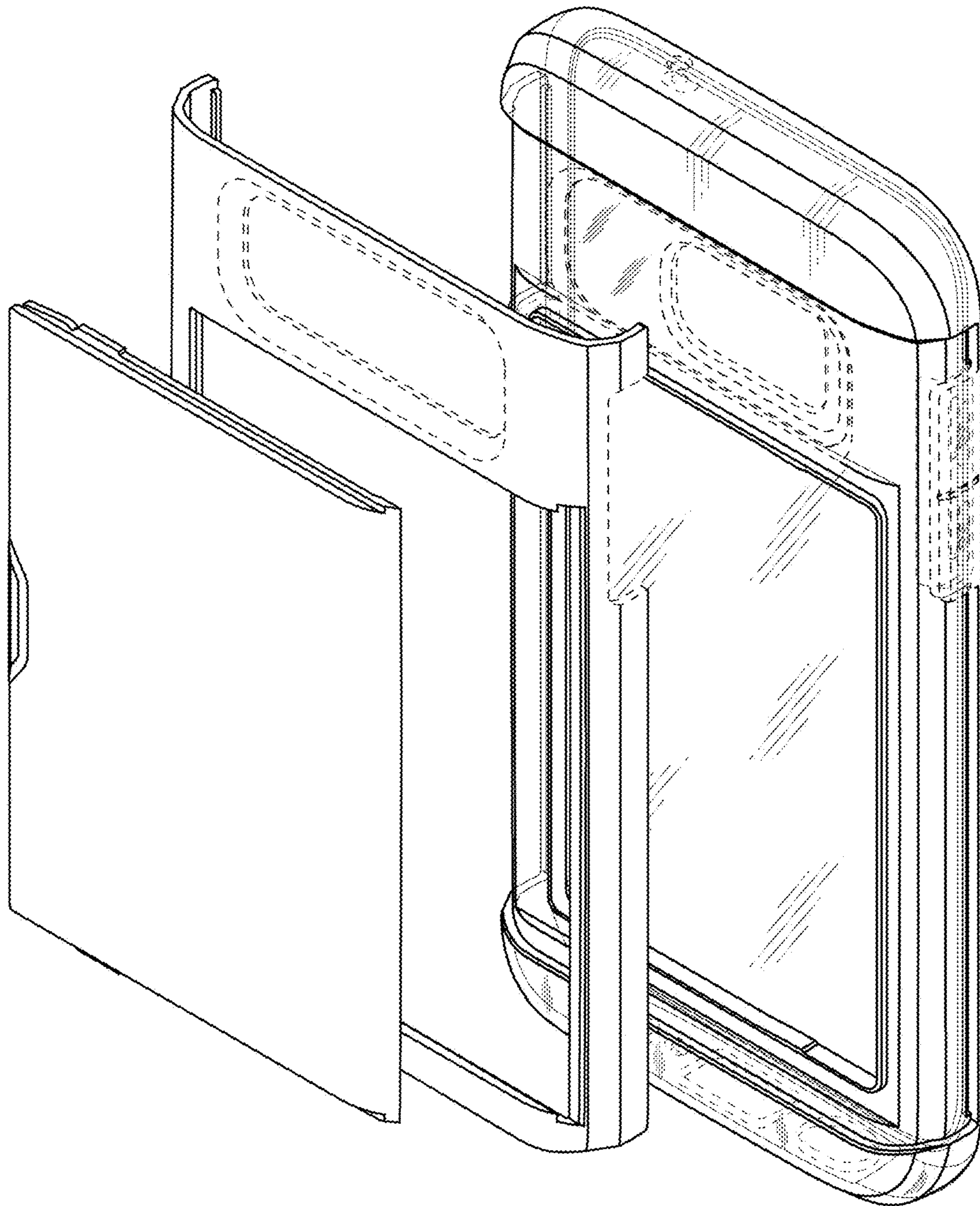


FIG. 11

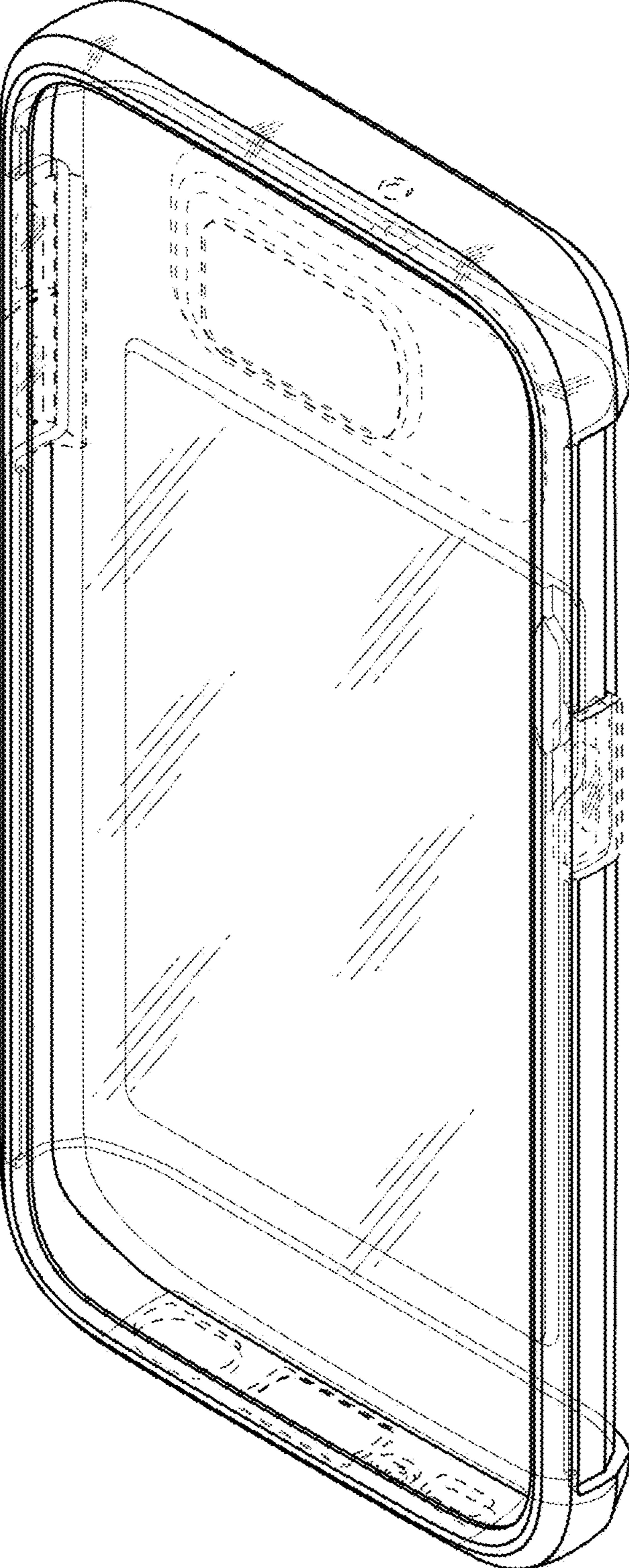


FIG. 12

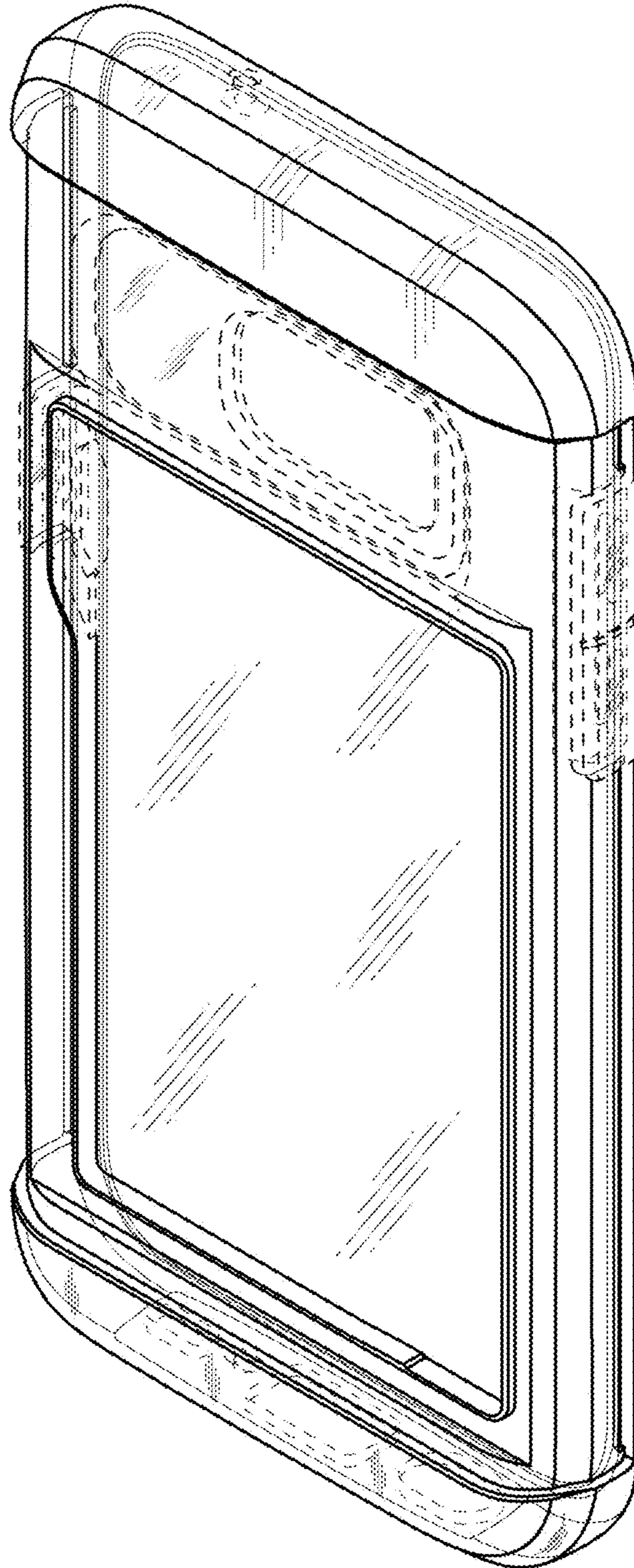


FIG. 13

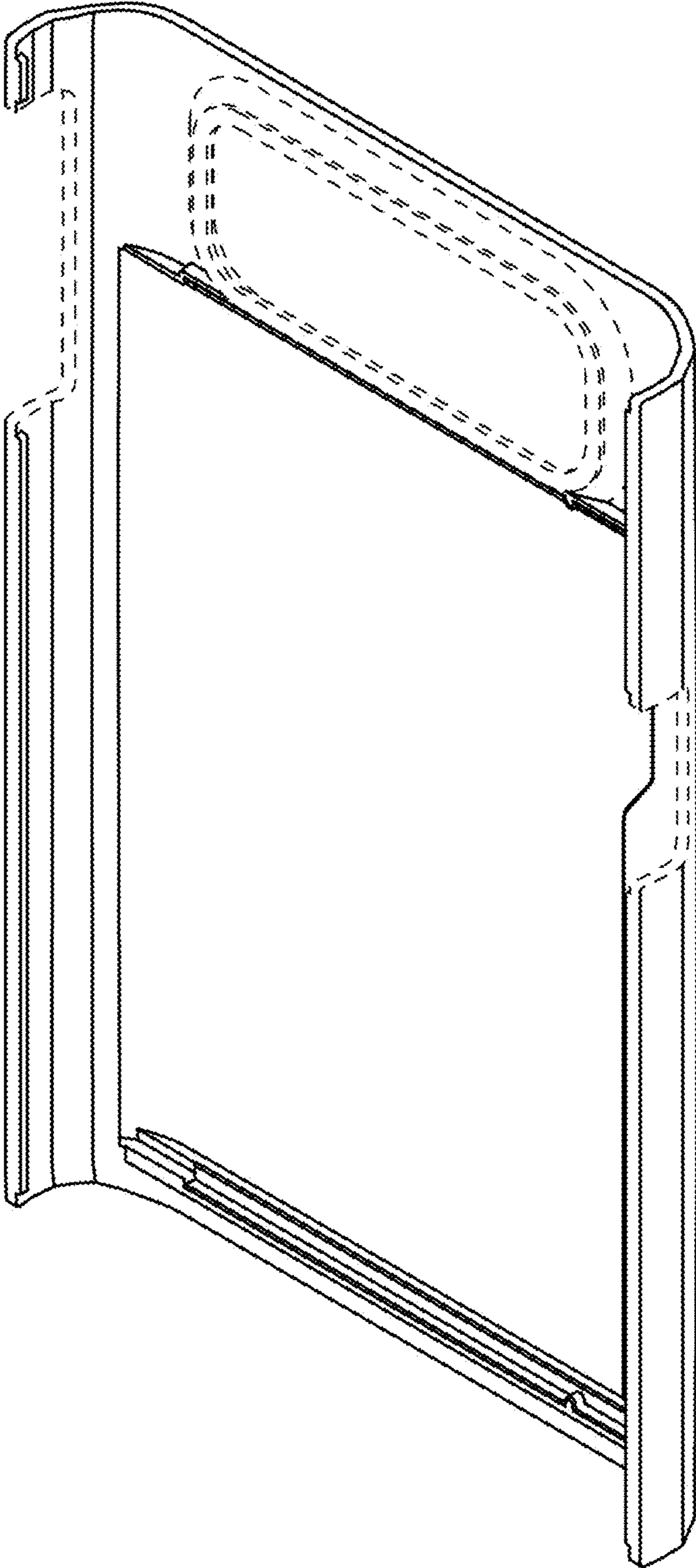


FIG. 14

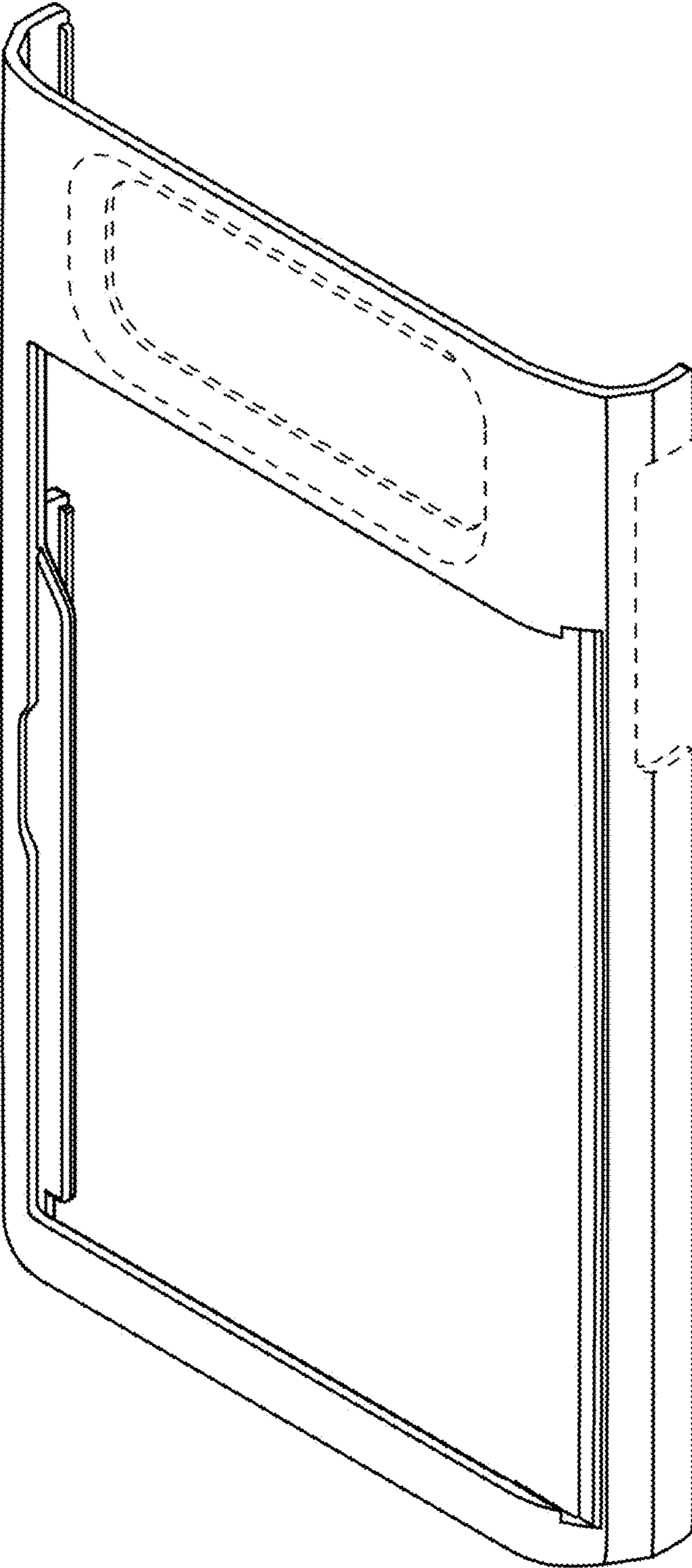


FIG. 15

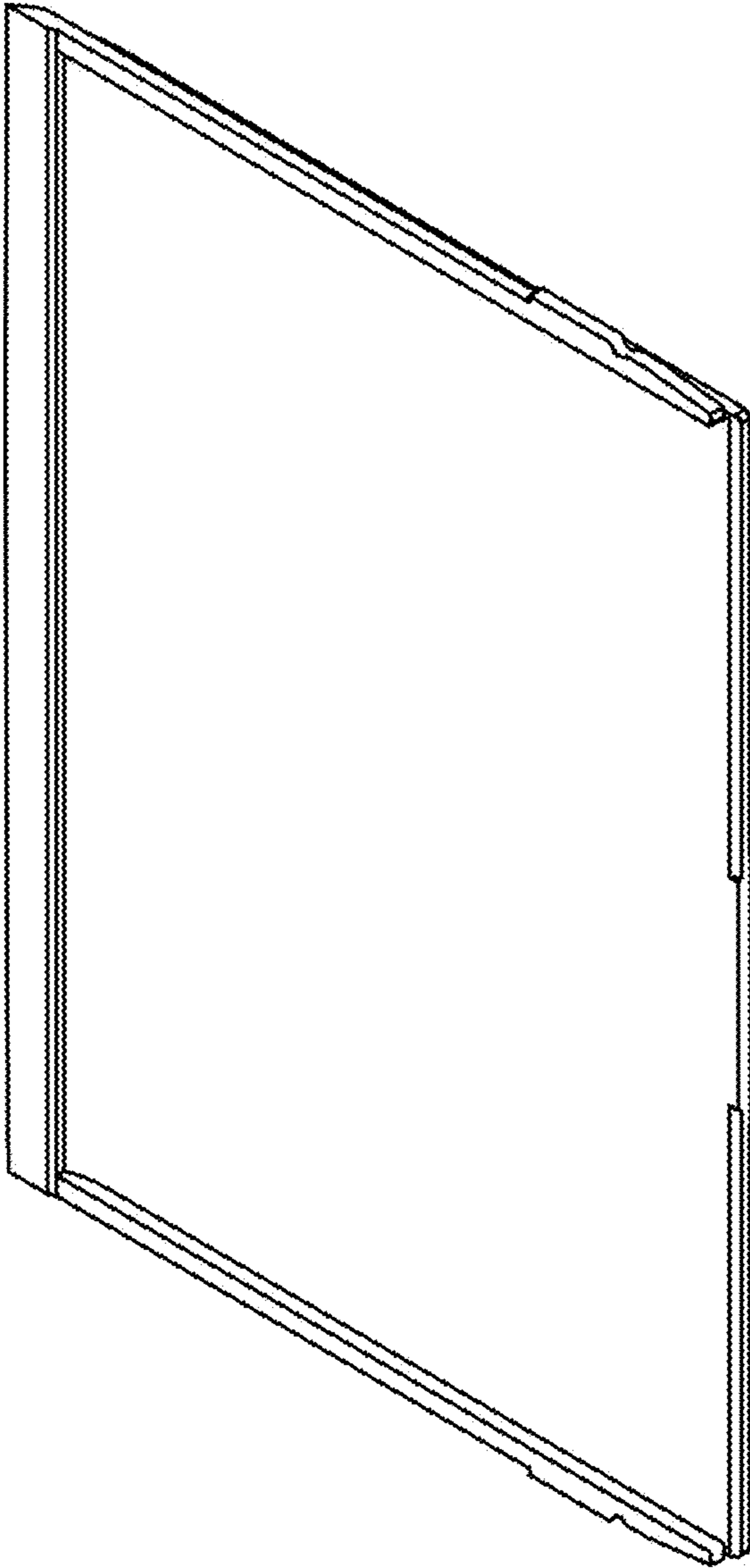


FIG. 16

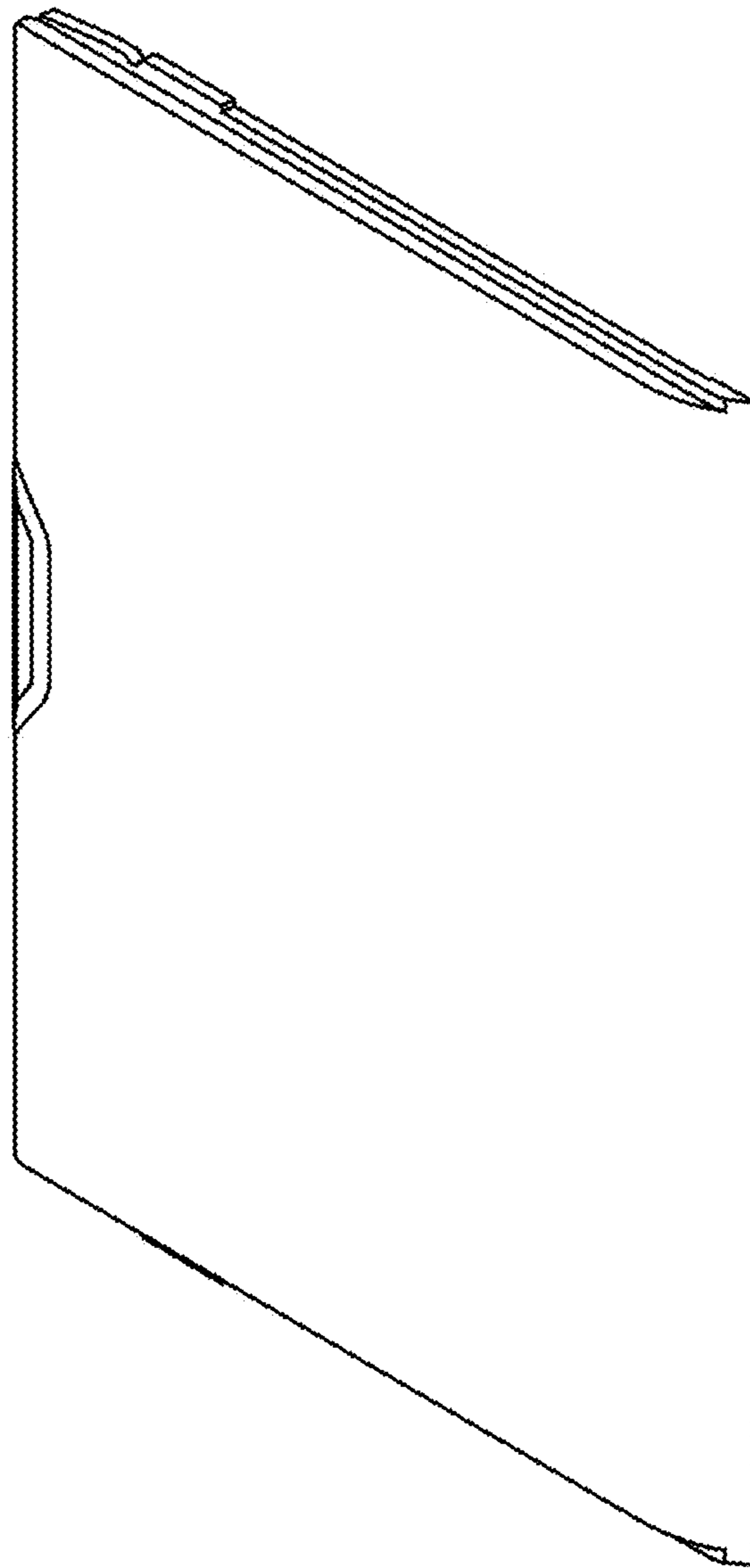


FIG. 17

