



US00D902907S

(12) **United States Design Patent** (10) **Patent No.:** **US D902,907 S**
Lee (45) **Date of Patent:** **** Nov. 24, 2020**

- (54) **CASE FOR ELECTRONIC COMMUNICATIONS DEVICE**
- (71) Applicant: **SPIGEN KOREA CO., LTD.**, Seoul (KR)
- (72) Inventor: **Bum Joon Lee**, Seoul (KR)
- (73) Assignee: **Spigen Korea CO., LTD.**, Seoul (KR)
- (**) Term: **15 Years**
- (21) Appl. No.: **29/578,179**
- (22) Filed: **Sep. 19, 2016**

Related U.S. Application Data

- (63) Continuation-in-part of application No. 29/573,515, filed on Aug. 5, 2016, now Pat. No. Des. 827,627.
- (51) **LOC (12) Cl.** **14-03**
- (52) **U.S. Cl.**
USPC **D14/250**
- (58) **Field of Classification Search**
USPC D14/238.1, 440, 203.3-203.7, 217, 240, D14/447, 250, 251-253, 248; D3/201,
(Continued)

References Cited

U.S. PATENT DOCUMENTS

- D625,303 S * 10/2010 Kim D14/250
 - D632,685 S * 2/2011 Richardson D14/250
- (Continued)

OTHER PUBLICATIONS

“Spigen Slim Armor iPhone 5S /SE/5 Case with Advanced Drop Protection and Dual Layer Design for iPhone 5S / iPhone SE /iPhone 5—Metal Slate”, <https://www.amazon.com/dp/B00DD62R40>, Earliest review date of Dec. 14, 2012, Downloaded on Sep. 18, 2018.

(Continued)

Primary Examiner — Carla J Wright
(74) *Attorney, Agent, or Firm* — Heedong Chae; Lucem, PC

(57) **CLAIM**

The ornamental design for a case for electronic communications device, as shown and described.

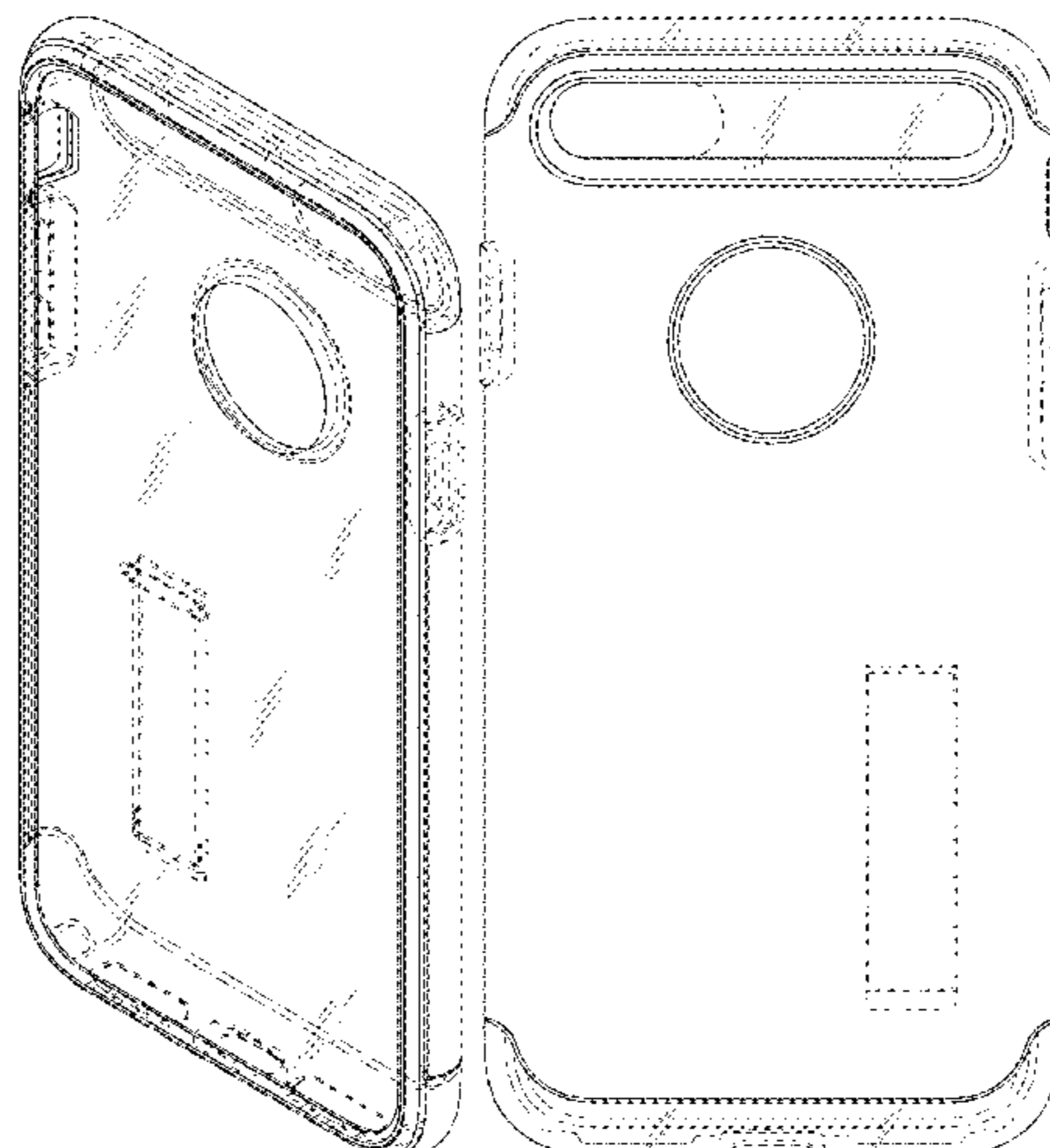
DESCRIPTION

FIG. 1 is a front perspective view of a case for electronic communications device showing my new design; FIG. 2 is a rear perspective view thereof; FIG. 3 is a front elevational view thereof; FIG. 4 is a rear elevational view thereof; FIG. 5 is a left-side elevational view thereof; FIG. 6 is a right-side elevational view thereof; FIG. 7 is a top plan view thereof; FIG. 8 is a bottom plan view thereof; FIG. 9 is an exploded front perspective view thereof showing the components of the case separated for clarity of disclosure; FIG. 10 is an exploded rear perspective view thereof; FIG. 11 is a front perspective view showing the transparent inner shell component of the case in isolation for clarity of disclosure; FIG. 12 is a rear perspective view thereof; FIG. 13 is a front perspective view showing the outer frame component in isolation for clarity of disclosure; and, FIG. 14 is a rear perspective view thereof.

For clarity of disclosure, the components of the case are shown in isolation in FIGS. 11-14 and separated in FIGS. 9-10. Although the case for electronic communications device, in which the claimed design is embodied, consists of a transparent inner shell component, and an opaque outer frame, the claim is directed to the overall ornamental appearance of the case for electronic communications device in its entirety and does not extend to the ornamental appearance of each of the individual components.

The broken lines throughout the drawing figures depict portions of the case for electronic communications device

(Continued)



that for no part of the claimed design. The broken lines and regions bounded by broken lines form no part of the claimed design.

1 Claim, 14 Drawing Sheets

(58) **Field of Classification Search**

USPC D3/218, 247, 269, 273, 301, 303;
D13/103, 107–108, 119

CPC H04B 1/3888; H04M 1/0283; H04M 1/0202;
A45C 1/06; A45C 2011/002; A45C 11/00;
A45C 13/02; A45F 2005/026; A45F
2200/0525; A45F 2200/0516

See application file for complete search history.

(56)

References Cited

U.S. PATENT DOCUMENTS

D643,029	S *	8/2011	Feng	D14/250
D673,547	S *	1/2013	Melanson	D14/250
D676,844	S *	2/2013	Weller	D14/250
D681,022	S *	4/2013	Chang	D14/250
8,517,172	B1 *	8/2013	Chang	G06F 1/1626 206/320
D704,688	S *	5/2014	Reivo	D14/250
D714,274	S *	9/2014	Jung	D14/250
D717,774	S *	11/2014	Fathollahi	D14/250
D717,778	S *	11/2014	Zermeno	D14/250
D723,531	S *	3/2015	Katzke	D14/250
D741,845	S	10/2015	Kim		
D744,480	S	12/2015	Kim		
D746,275	S	12/2015	Mohammad		
D748,614	S	2/2016	Ju		
D749,068	S	2/2016	Zaborski et al.		
D749,555	S	2/2016	Poon		
D750,610	S	3/2016	Chen		
9,295,174	B2	3/2016	Witter et al.		
D753,099	S *	4/2016	Kim	D14/250
D753,641	S	4/2016	Roberts et al.		
D754,652	S	4/2016	Roberts et al.		
D756,340	S	5/2016	Babichenko		
D756,343	S	5/2016	Wall et al.		
D756,344	S	5/2016	Roberts et al.		
D756,911	S	5/2016	Gupta		
D757,702	S	5/2016	Kanazawa		
D757,703	S	5/2016	Kanazawa		
D761,239	S	7/2016	Kim		
D763,842	S	8/2016	Chang et al.		
D765,632	S	9/2016	Northrup et al.		
D765,644	S	9/2016	Witter et al.		
D766,819	S	9/2016	Gjovik et al.		
D767,553	S *	9/2016	Fathollahi	D14/250
9,451,066	B1 *	9/2016	Jia	H04M 1/0283
D771,028	S *	11/2016	Kim	D14/250
D771,607	S *	11/2016	Kim	D14/250
D771,608	S *	11/2016	Kim	D14/250
D771,619	S	11/2016	Akana et al.		
D772,209	S *	11/2016	Kim	D14/250
D774,498	S	12/2016	Tao et al.		
D776,104	S *	1/2017	Tien	D14/250
9,661,116	B1 *	5/2017	Chung	H04M 1/21

2012/0018323	A1 *	1/2012	Johnson	H04B 1/3888 206/320
2016/0101902	A1 *	4/2016	Kim	F16M 11/00 206/45.23
2016/0204817	A1 *	7/2016	Kim	H04B 1/3888 455/575.8
2016/0269516	A1 *	9/2016	Kim	H04M 1/04
2016/0285301	A1 *	9/2016	Kim	H02J 7/025

OTHER PUBLICATIONS

“Spigen Slim Armor View Galaxy S4 Case with Automatic Sleep / Wake Feature for Galaxy S4 2013—Soul Black”, <https://www.amazon.com/dp/B00DCCVS5Y>, Earliest review date of Mar. 18, 2013, Downloaded on Feb. 19, 2019.

“Spigen Slim Armor Nexus 5 Case with Air Cushion Technology and Hybrid Drop Protection for Nexus 5 2013—Infinity White”, <https://www.amazon.com/dp/B00EV8Y7XI>, Earliest review date of Nov. 4, 2013, Downloaded on Jan. 16, 2019.

“Spigen Slim Armor View Galaxy S5 Case with Automatic Sleep / Wake Feature for Samsung Galaxy S5 2014—View Smooth White”, <https://www.amazon.com/dp/B00KGG02EI>, Earliest review date of Jan. 18, 2014, Downloaded on Jan. 16, 2019.

“Spigen Slim Armor Galaxy S5 Case with Air Cushion Technology and Hybrid Drop Protection for Samsung Galaxy S5 2014—Metal Slate”, <https://www.amazon.com/dp/B00I3UWD7C>, Earliest review date of Apr. 11, 2014, Downloaded on Sep. 18, 2018.

“Spigen Slim Armor LG G3 Case with Air Cushion Technology and Hybrid Drop Protection for LG G3 2014—Metal Slate”, <https://www.amazon.com/dp/B00JQI2G5O>, Earliest review date of Jul. 9, 2014, Downloaded on Jan. 16, 2019.

“Spigen Slim Armor iPhone 6 Case with Air Cushion Technology and Hybrid Drop Protection for iPhone 6 2014—Gunmetal”, <https://www.amazon.com/dp/B00JH88GB6>, Earliest review date of Aug. 13, 2014, Downloaded on Sep. 18, 2018.

“Spigen Slim Armor iPhone 6 Plus Case with Air Cushion Technology and Hybrid Drop Protection for iPhone 6S Plus / iPhone 6 Plus—Shimmery White”, <https://www.amazon.com/dp/B00JH83C6U>, Earliest review date of Sep. 12, 2014, Downloaded on Sep. 18, 2018.

“Spigen Slim Armor Galaxy Note 4 Case with Air Cushion Technology and Hybrid Drop Protection for Samsung Galaxy Note 4 2014—Shimmery White”, <https://www.amazon.com/dp/B00MAWQPIQ>, Earliest review date of Oct. 7, 2014, Downloaded on Jul. 30, 2018.

“Spigen Slim Armor Galaxy S6 Case with Air Cushion Technology and Hybrid Drop Protection with Kickstand for Samsung Galaxy S6 (2015)—Shimmery White”, <https://www.amazon.com/dp/B00QU4NQMY>, Earliest review date of Mar. 21, 2015, Downloaded on Sep. 18, 2018.

“Spigen Slim Armor HTC One M9 Case with Kickstand and Air Cushion Technology Hybrid Drop Protection for HTC One M9 2015—Metal Slate”, <https://www.amazon.com/dp/B00SNOTASI>, Earliest review date of Mar. 31, 2015, Downloaded on Jan. 16, 2019.

Spigen Slim Armor Galaxy S6 Edge Case with Kickstand and Air Cushion Technology and Hybrid Drop Protection for Galaxy S6 Edge 2015—Gunmetal, <https://www.amazon.com/dp/B00SV638ZE>, Earliest review date of Apr. 3, 2015, Downloaded on Sep. 18, 2018.

* cited by examiner

FIG. 1

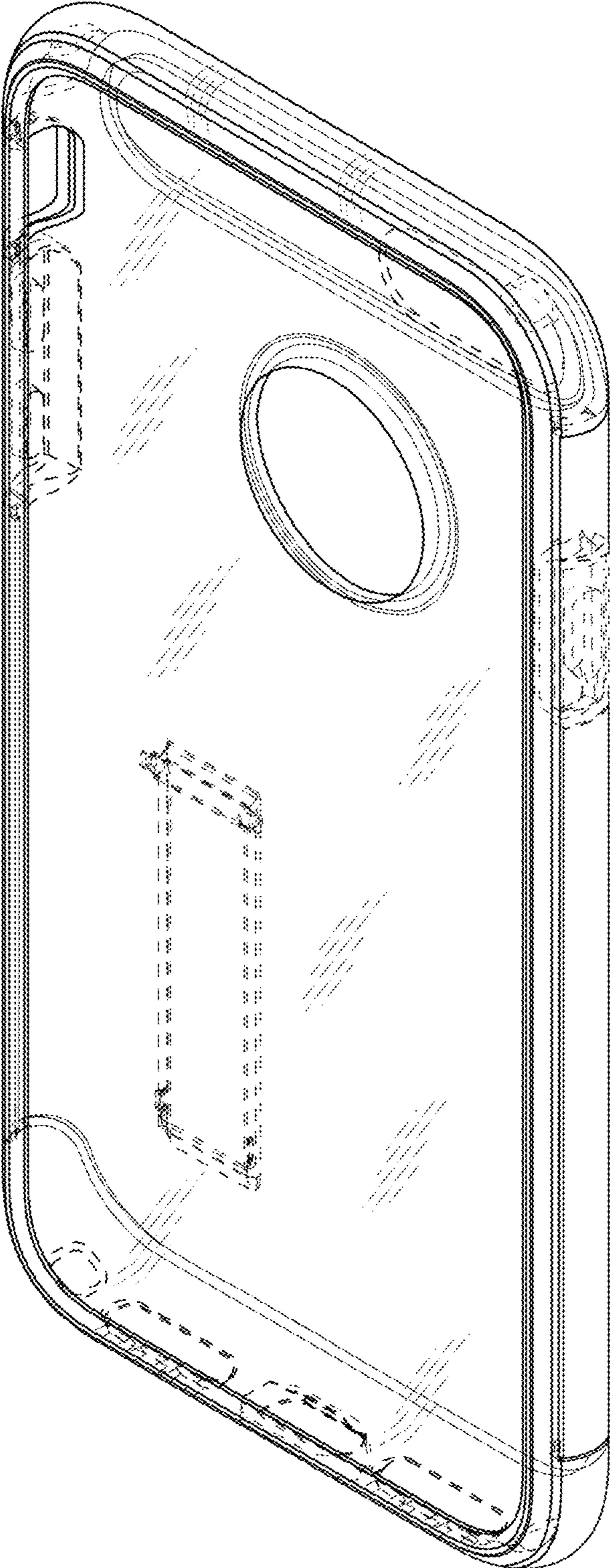


FIG. 2

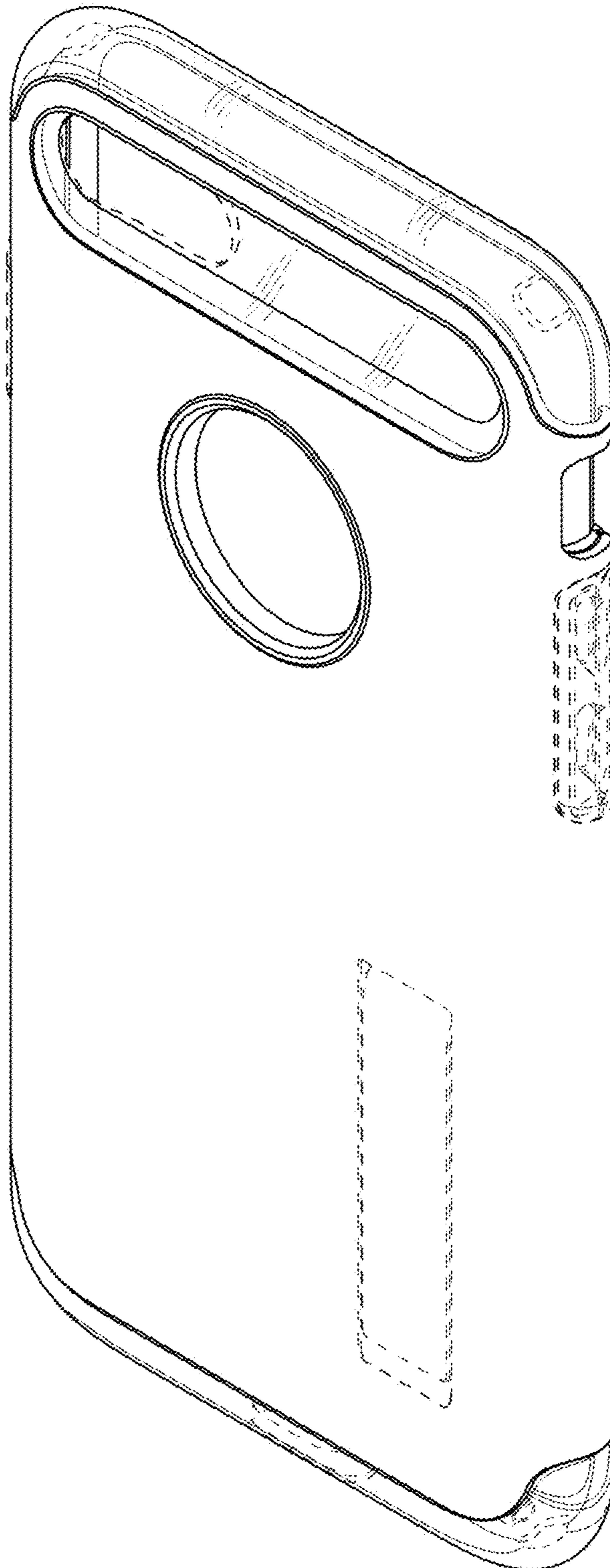


FIG. 3

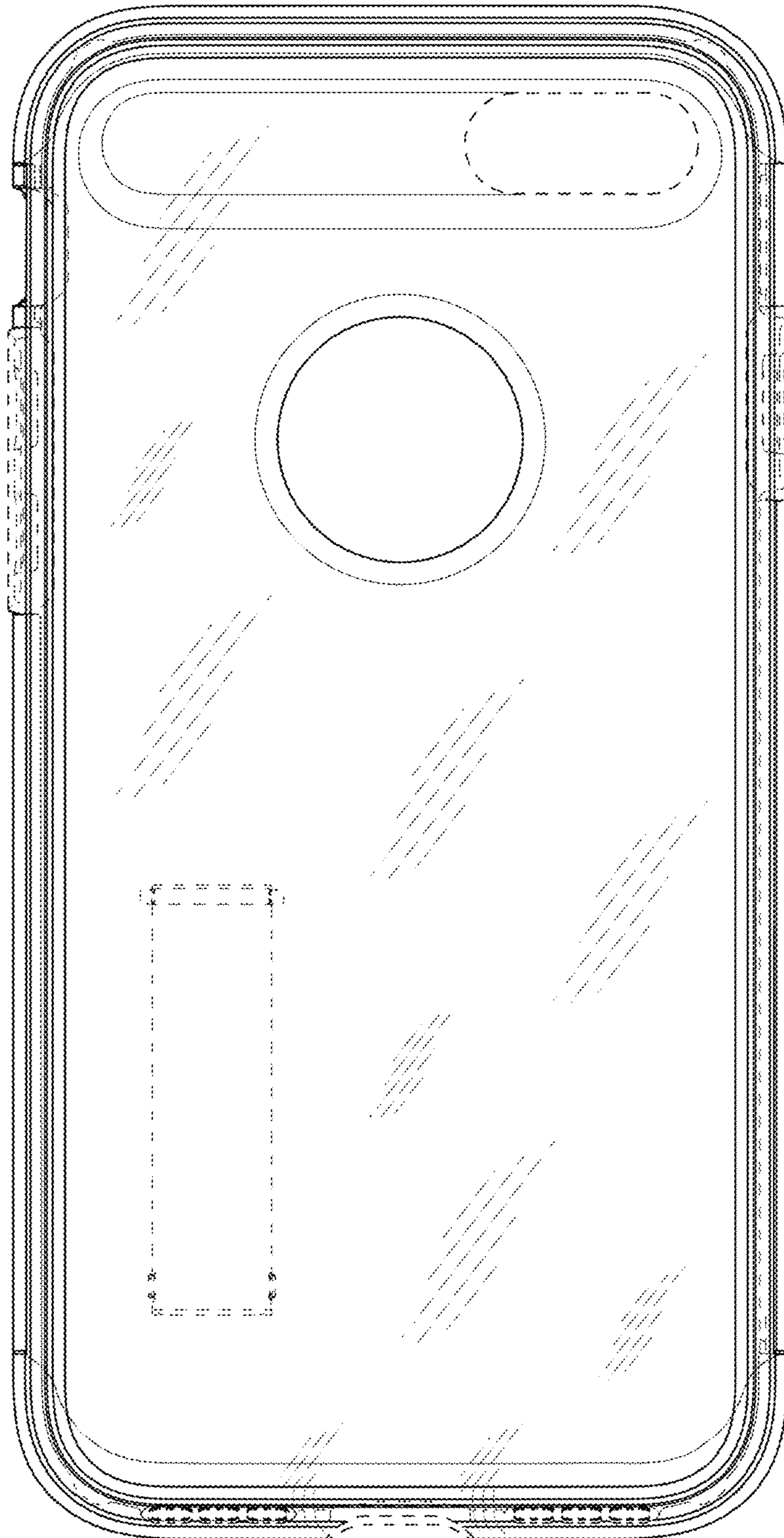


FIG. 4

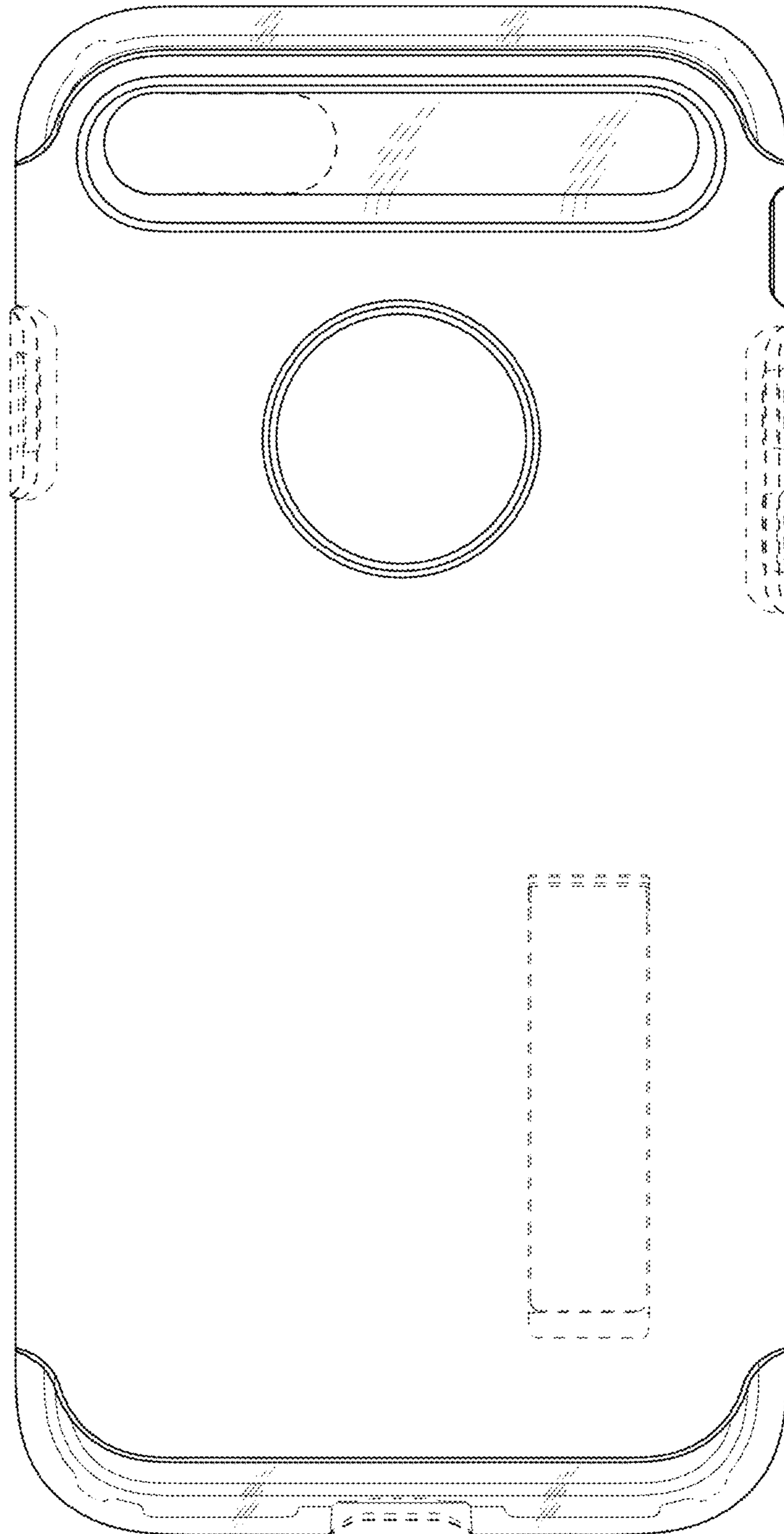


FIG. 5

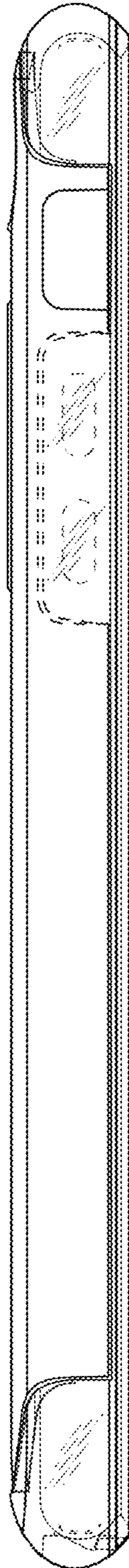


FIG. 6

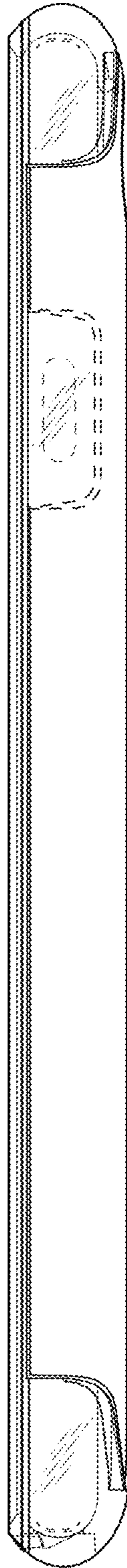


FIG. 7

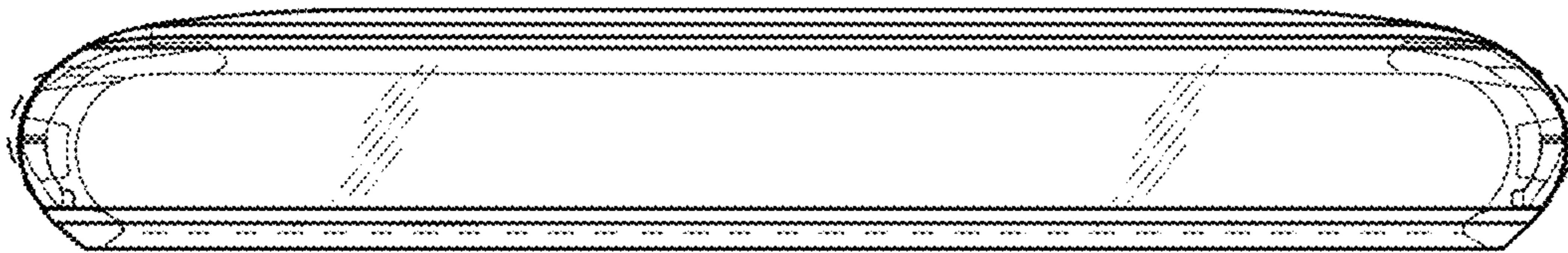


FIG. 8

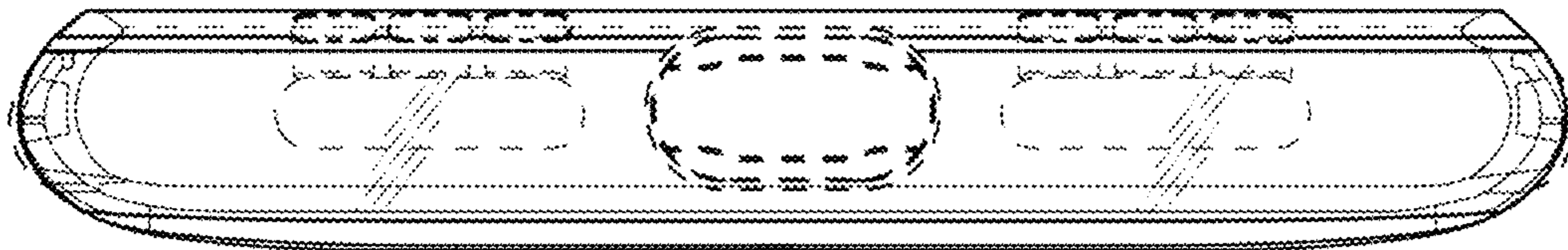


FIG. 9

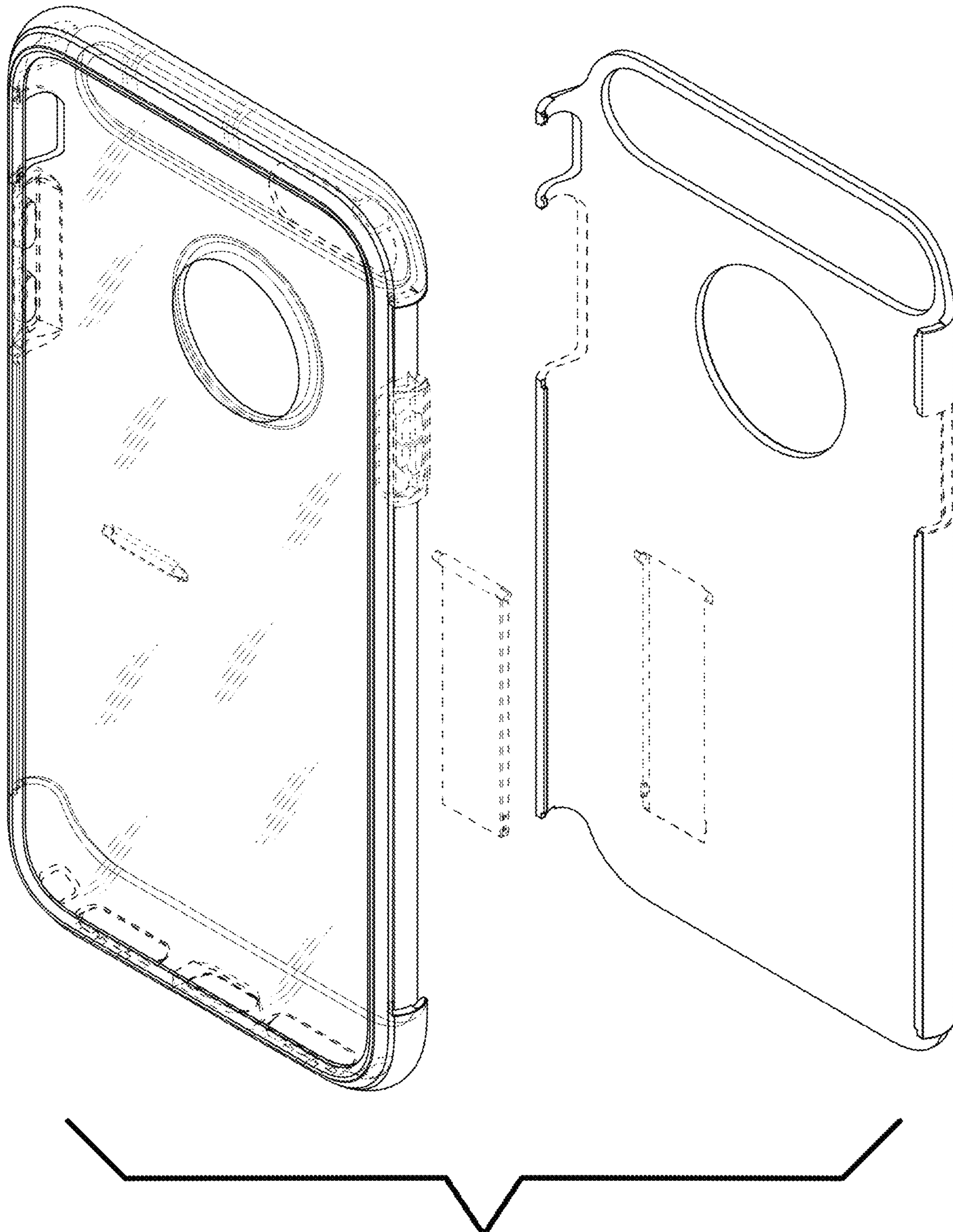


FIG. 10

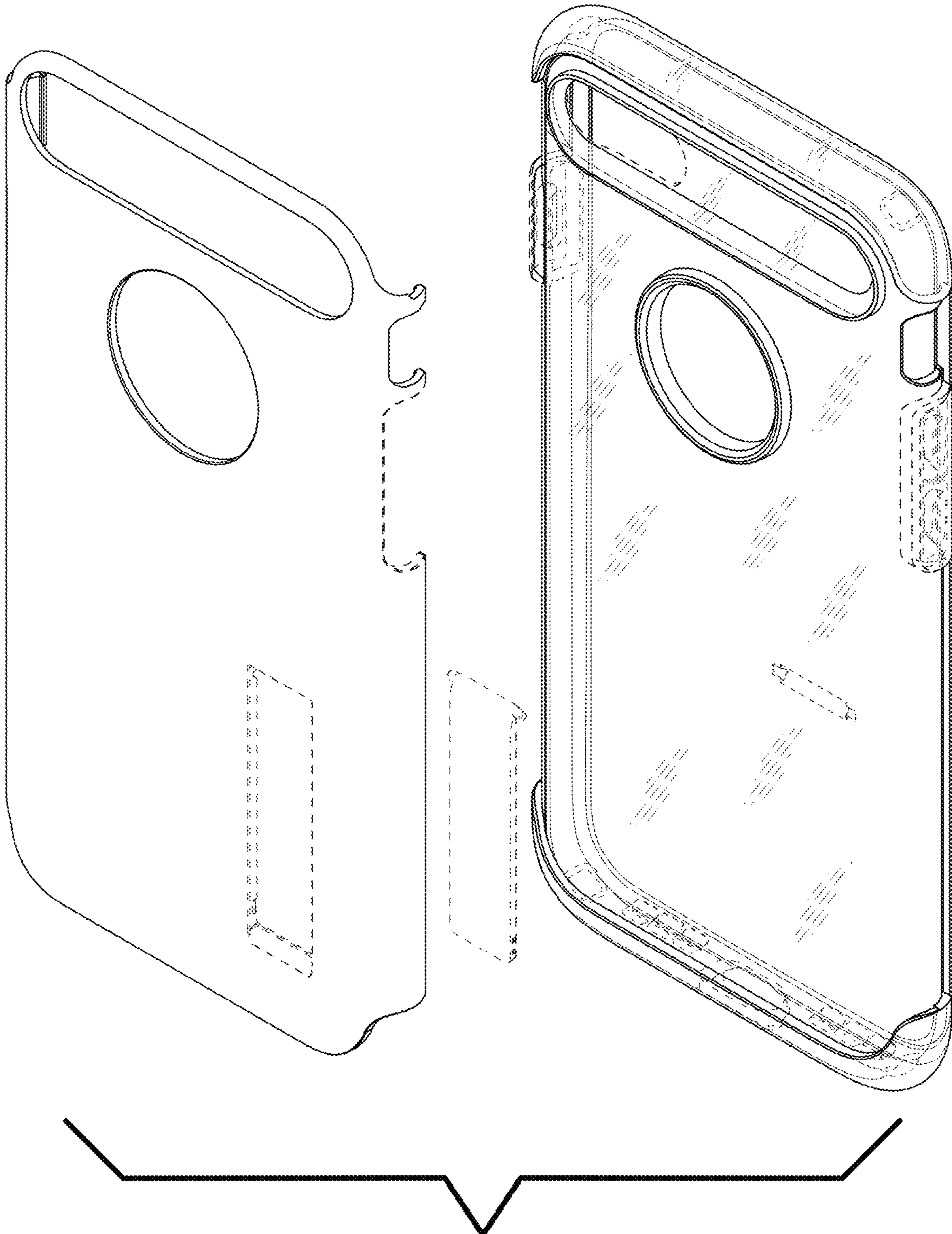


FIG. 11

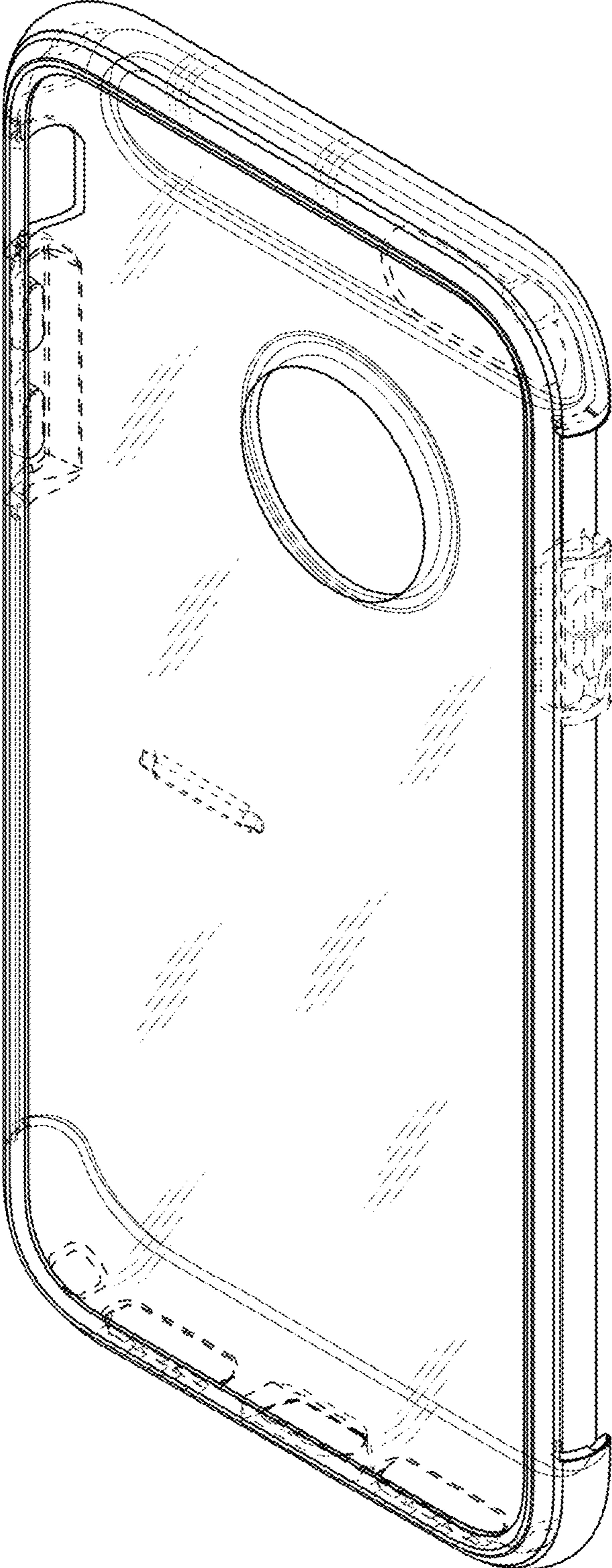


FIG. 12

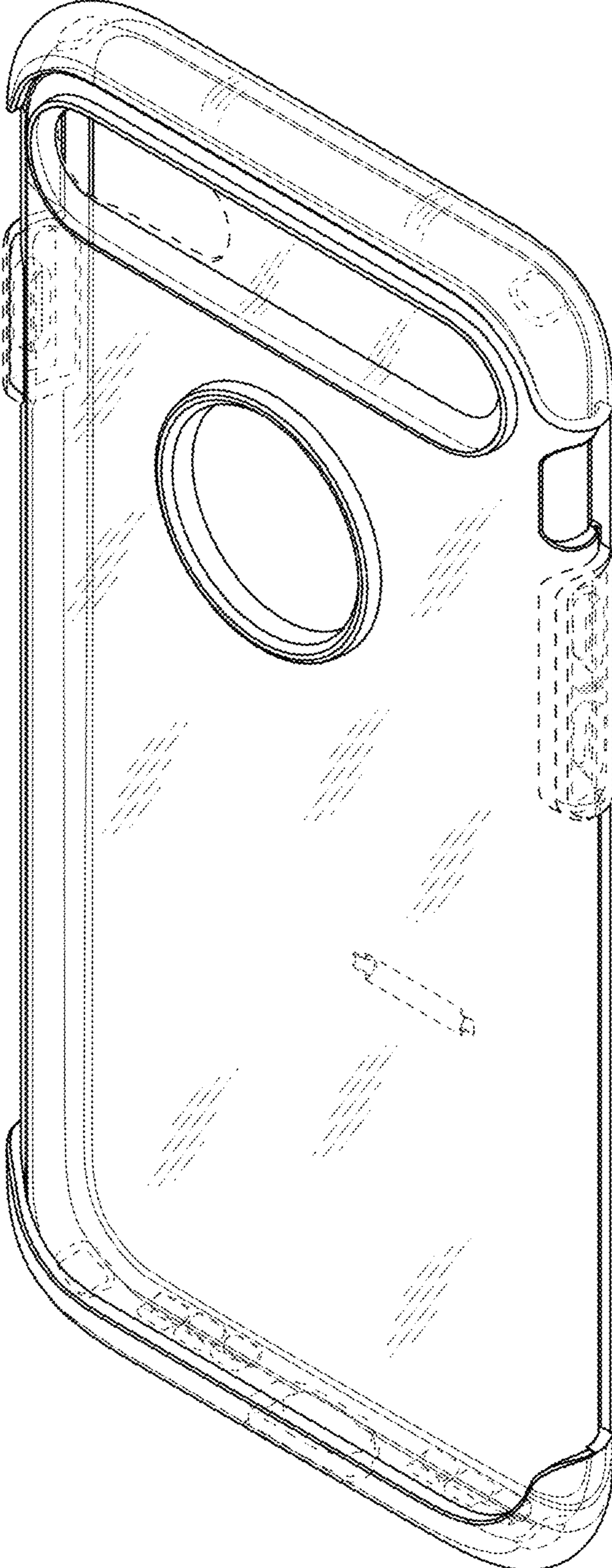


FIG. 13

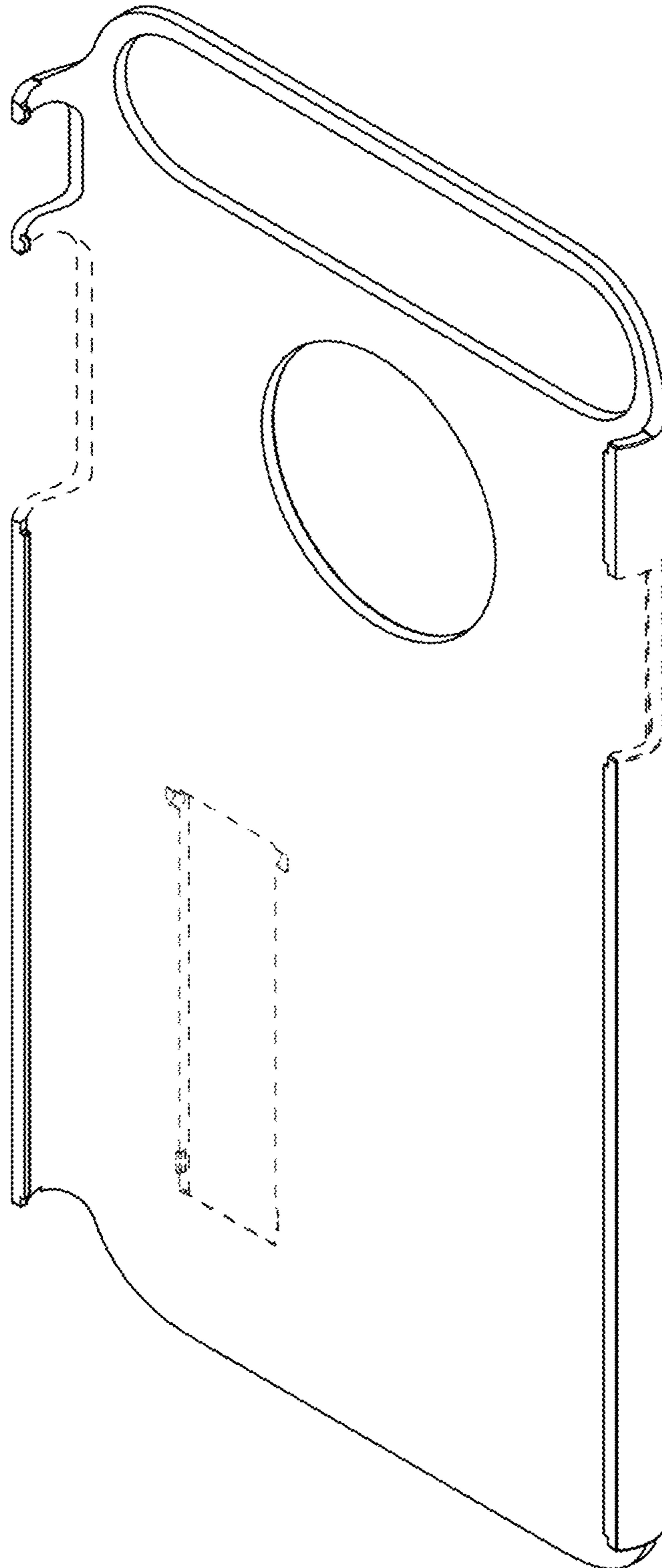


FIG. 14

