



US00D902895S

(12) **United States Design Patent** (10) **Patent No.:** **US D902,895 S**
Yang (45) **Date of Patent:** **** Nov. 24, 2020**

- (54) **ANTENNA**
- (71) Applicant: **SHENZHEN ANTOP TECHNOLOGY LIMITED**, Guangdong (CN)
- (72) Inventor: **Ruidian Yang**, Guangdong (CN)
- (73) Assignee: **Shenzhen Antop Technology Limited**, Shenzhen (CN)
- (**) Term: **15 Years**
- (21) Appl. No.: **29/738,397**
- (22) Filed: **Jun. 17, 2020**

- D427,997 S 7/2000 Inoue
- D468,302 S 1/2003 Sato
- D476,764 S * 7/2003 Khovaylo D10/104.1
- D517,535 S 3/2006 Wu
- D520,990 S 5/2006 Kowalewicz et al.
- D528,537 S 9/2006 Wang
- D533,545 S 12/2006 Inoue
- D548,730 S 8/2007 Inoue
- D590,816 S 4/2009 Chao
- D695,281 S * 12/2013 Petersen D14/240
- D698,349 S 1/2014 Sun et al.
- D719,141 S 12/2014 Chou et al.
- D755,762 S * 5/2016 Moon D14/242
- D759,639 S * 6/2016 Moon D14/242
- D767,548 S * 9/2016 Snyder D14/240
- D777,141 S 1/2017 Lee et al.
- D808,915 S 1/2018 Wang
- D821,325 S 6/2018 Duran et al.

(Continued)

Related U.S. Application Data

- (62) Division of application No. 29/690,459, filed on May 8, 2019.
- (51) **LOC (12) Cl.** **14-03**
- (52) **U.S. Cl.**
USPC **D14/230**
- (58) **Field of Classification Search**
USPC D14/138, 230-238, 299, 358; D12/42, D12/43; D19/86, 90, 91, 113
CPC H01Q 7/00; H01Q 13/10; H01Q 9/285; H01Q 19/30; H01Q 19/12; H01Q 1/38; H01Q 1/36; H04B 1/0475; H04B 1/034; H05K 11/00
See application file for complete search history.

(56) **References Cited**

U.S. PATENT DOCUMENTS

- D229,832 S 1/1974 Finkel
- D313,596 S 1/1991 Tsuboi
- D371,795 S 7/1996 Mailandt
- D376,367 S 12/1996 Mailandt
- D378,592 S * 3/1997 Hartwig D14/230

Primary Examiner — John Windmuller

(74) *Attorney, Agent, or Firm* — Muncy, Geissler, Olds & Lowe, P.C.

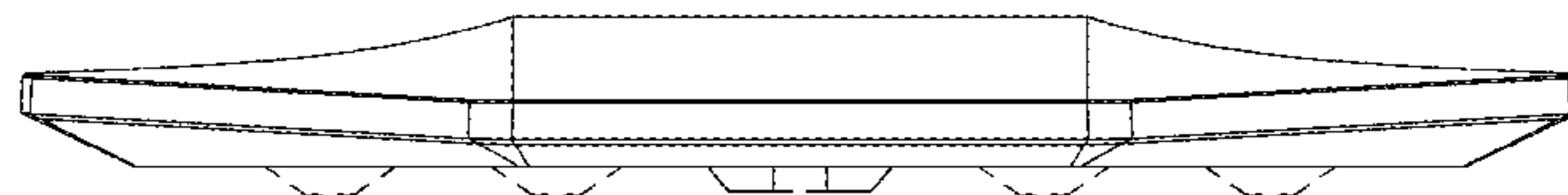
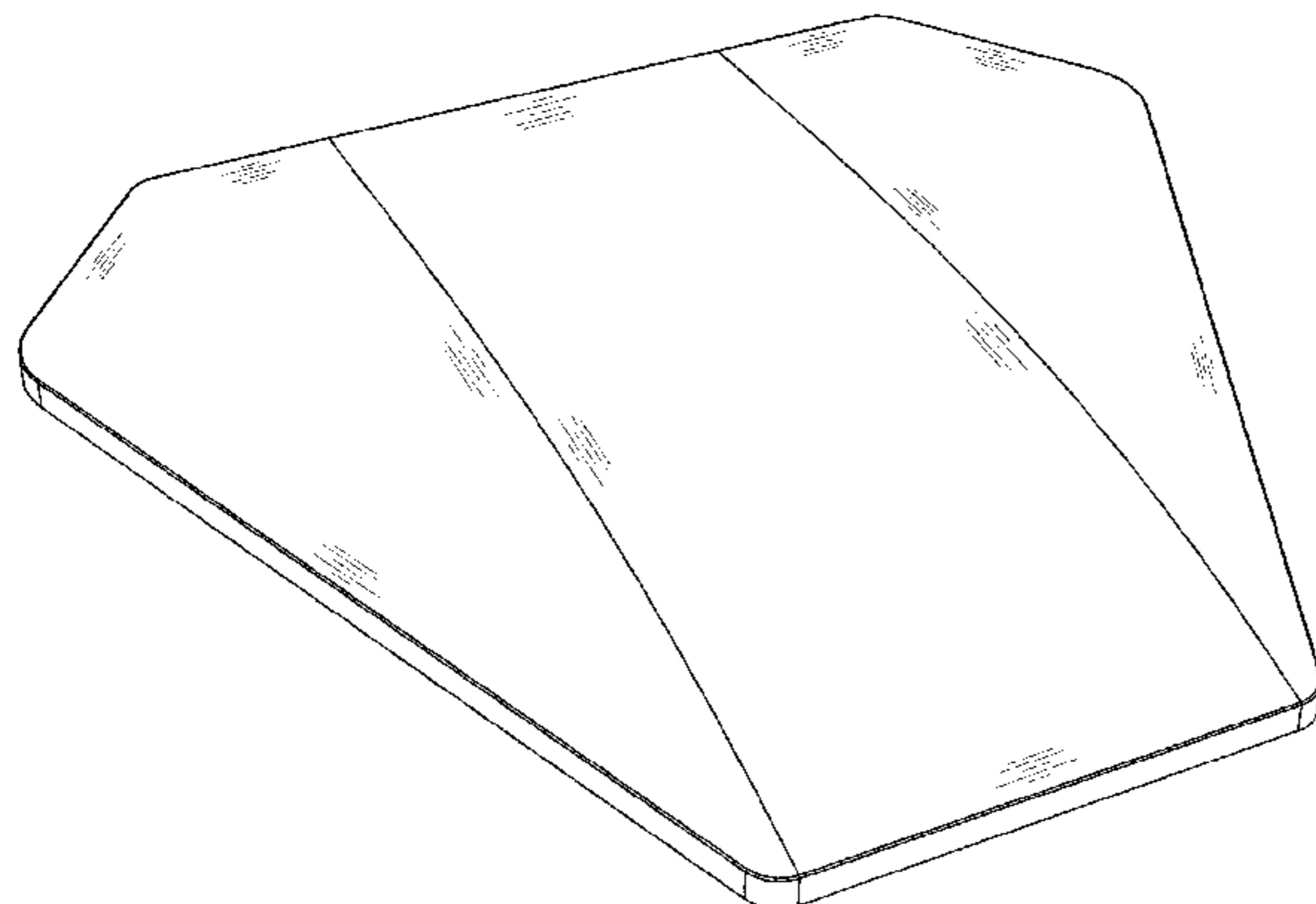
(57) **CLAIM**

The ornamental design for an antenna, as shown and described.

DESCRIPTION

FIG. 1 is a front perspective view of an antenna showing my new design;
 FIG. 2 is another front perspective view thereof;
 FIG. 3 is a rear perspective view thereof;
 FIG. 4 is a front elevational view thereof;
 FIG. 5 is a rear elevational view thereof;
 FIG. 6 is a left side view thereof;
 FIG. 7 is a right side view thereof;
 FIG. 8 is a top plan view thereof; and,
 FIG. 9 is a bottom plan view thereof.
 The broken lines are for the purpose of illustrating portions of the antenna which form no part of the claimed design.

1 Claim, 9 Drawing Sheets



(56)

References Cited

U.S. PATENT DOCUMENTS

D825,540 S	8/2018	Wilcox et al.	
D838,703 S	1/2019	Yang et al.	
D845,935 S	4/2019	Snyker et al.	
D851,052 S	6/2019	Wilcox et al.	
D856,327 S	8/2019	Huang	
D873,251 S	1/2020	Yang	
D875,723 S	2/2020	Yang	
D879,750 S *	3/2020	Yang	D14/230
D879,774 S	3/2020	Pennington et al.	
2006/0125711 A1	6/2006	Wang	

* cited by examiner

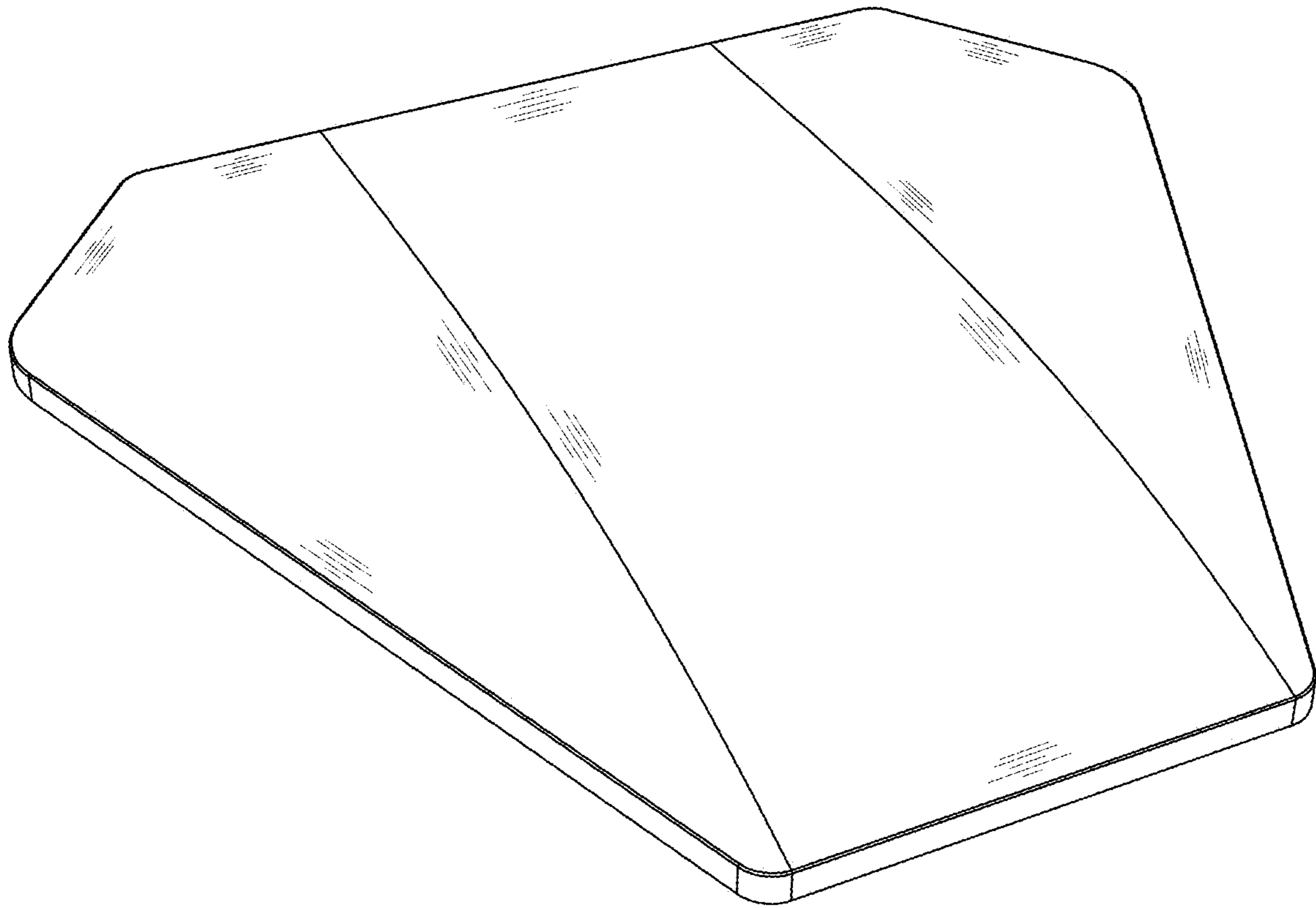


FIG.1

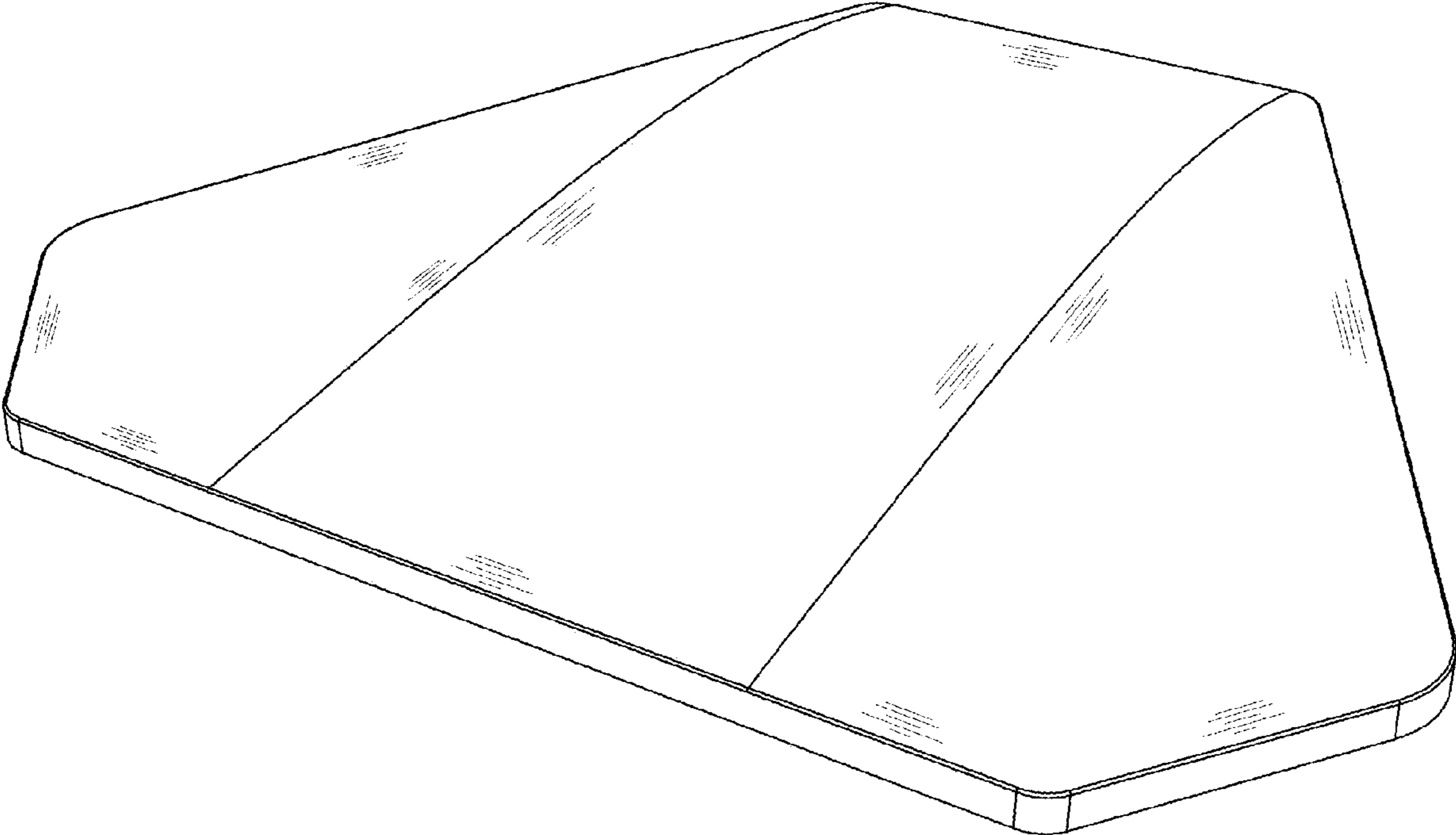


FIG.2

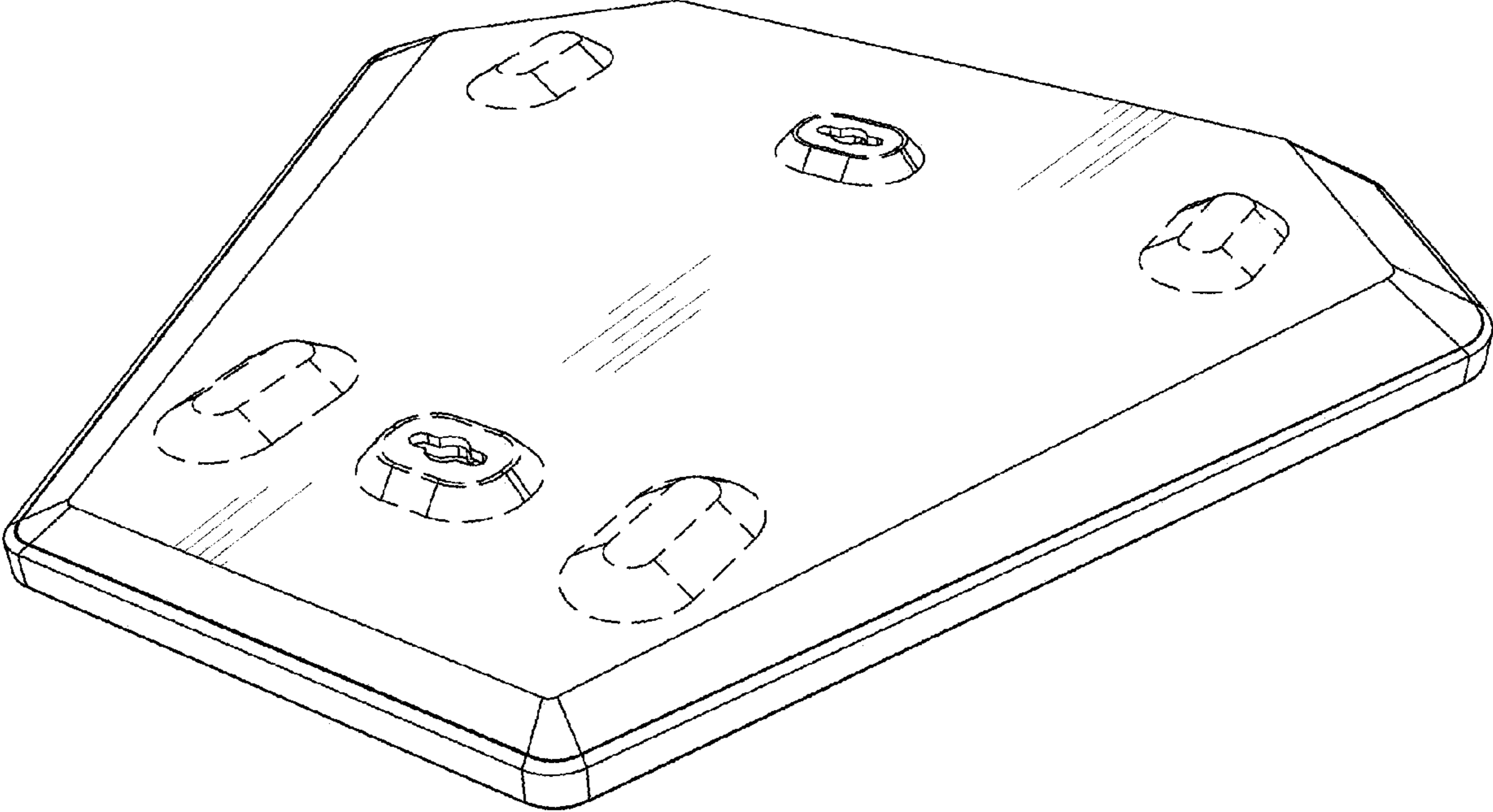


FIG.3

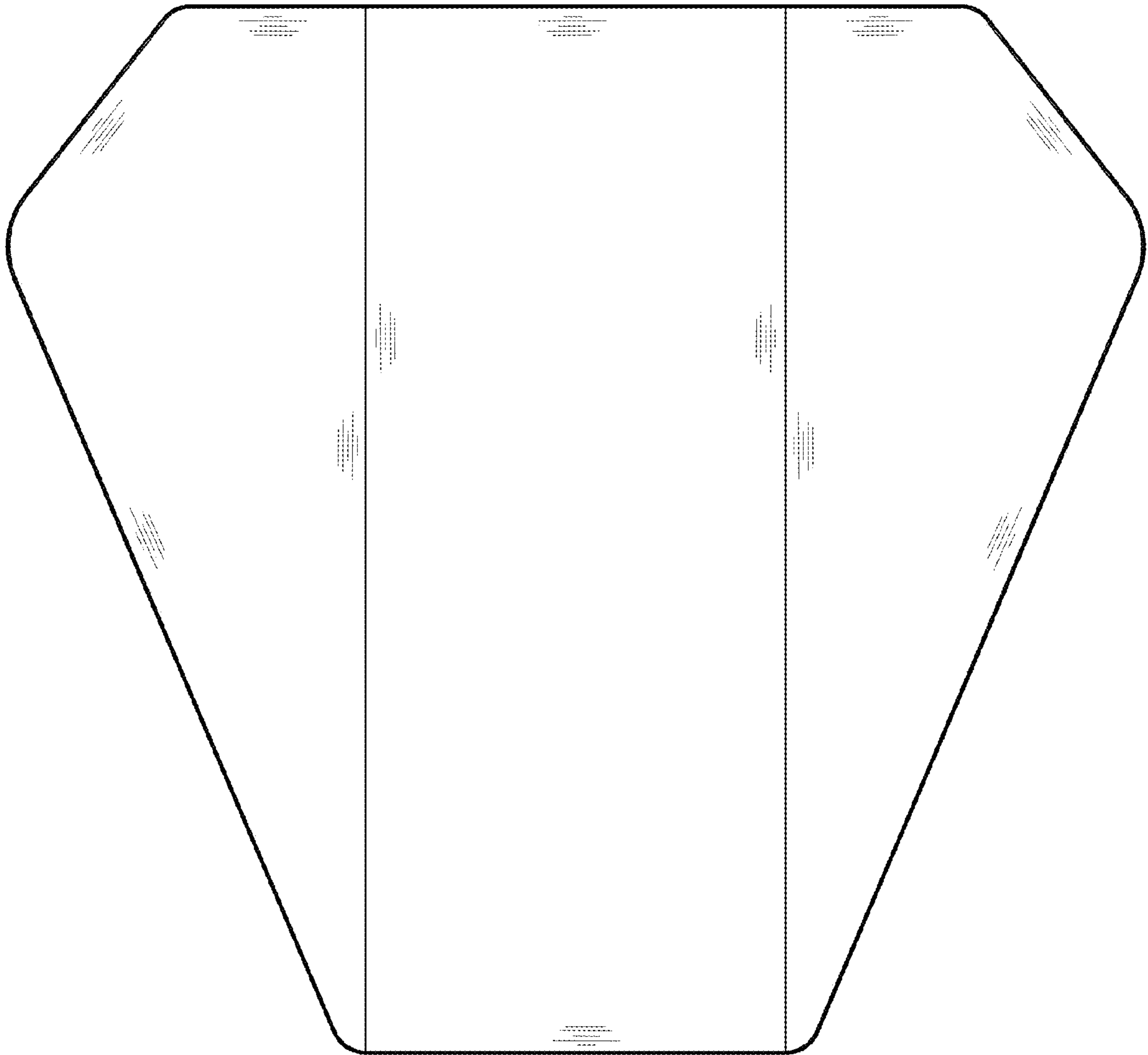


FIG.4

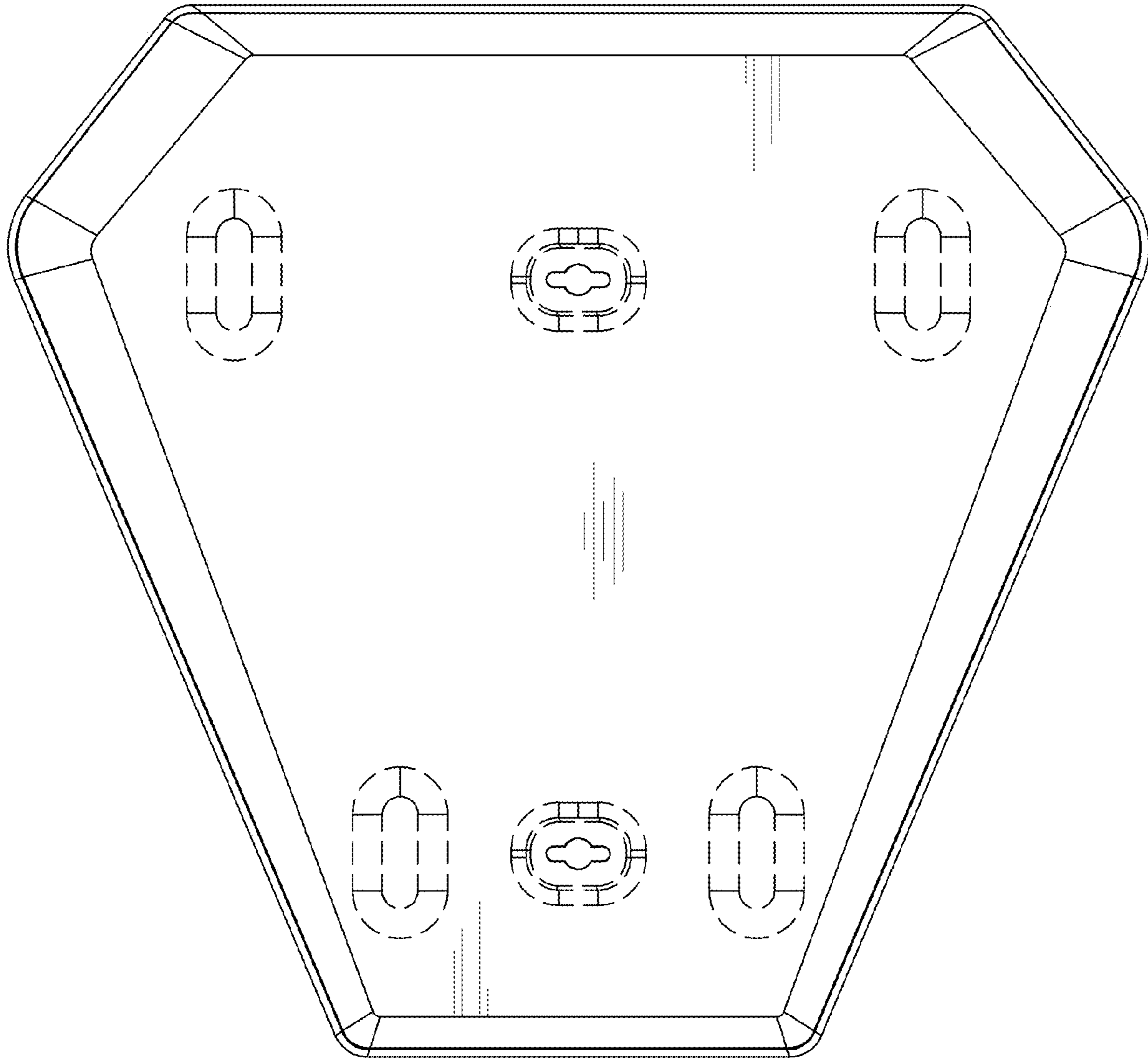


FIG.5

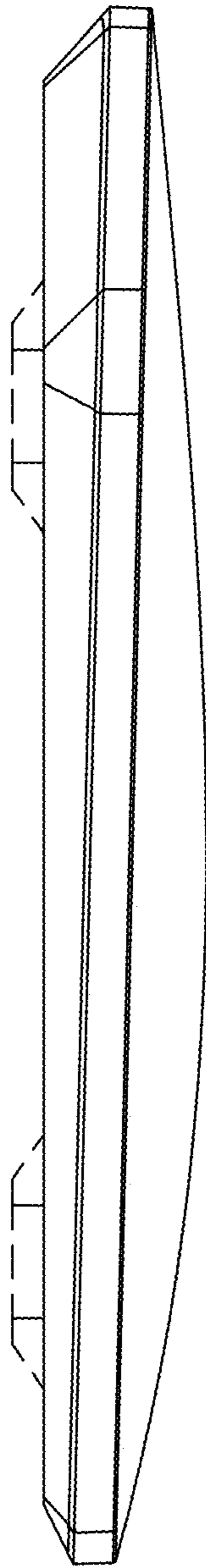


FIG.6

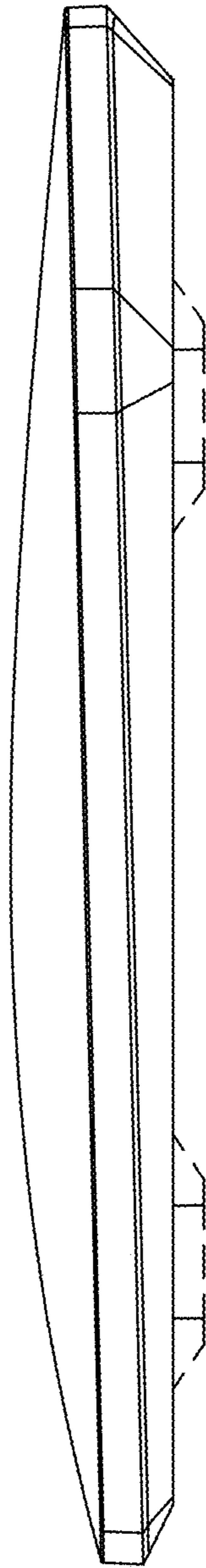


FIG.7

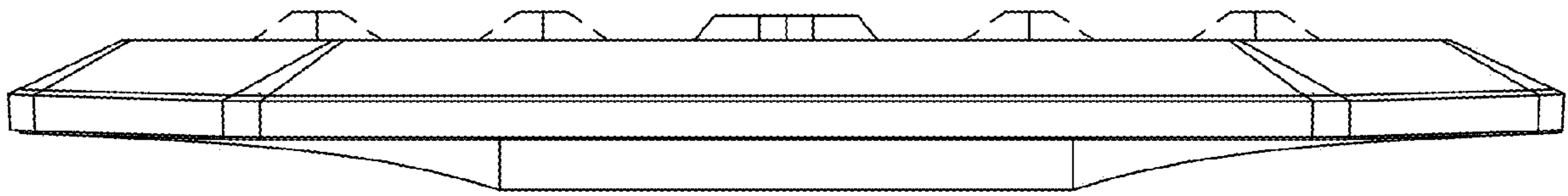


FIG.8

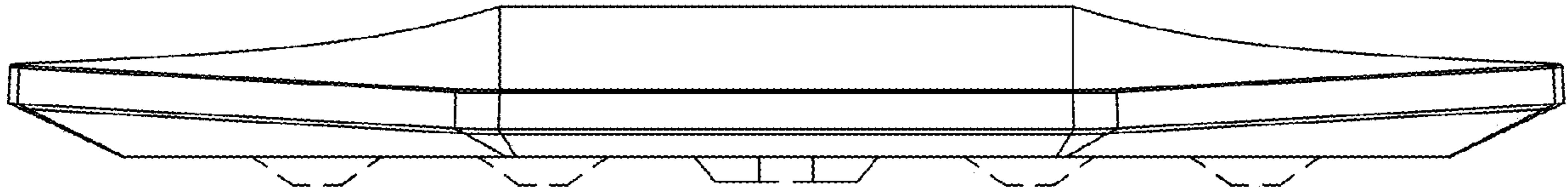


FIG.9