



US00D902893S

(12) **United States Design Patent**
Chang et al.

(10) **Patent No.:** **US D902,893 S**

(45) **Date of Patent:** **** Nov. 24, 2020**

- (54) **ANTENNA**
- (71) Applicant: **Airgain Incorporated**, San Diego, CA (US)
- (72) Inventors: **Wei Chang**, Zhang Jia Gang (CN); **Meng Zhang**, Zhang Jia Gang (CN)
- (73) Assignee: **Airgain, Inc.**, San Diego, CA (US)
- (**) Term: **15 Years**
- (21) Appl. No.: **29/621,489**
- (22) Filed: **Oct. 9, 2017**

D791,108 S *	7/2017	He	D14/230
D795,848 S *	8/2017	Zheng	D14/230
D798,277 S *	9/2017	Chang	D14/230
D815,072 S *	4/2018	Chang	D14/230
D821,367 S *	6/2018	Zheng	D14/230
D824,886 S *	8/2018	Gosalia	D14/230
D831,011 S *	10/2018	Gielis	H01Q 9/27 D14/230
D848,986 S *	5/2019	Zheng	D14/230
D848,987 S *	5/2019	He	D14/230
D856,984 S *	8/2019	Nair	D14/230
D857,673 S *	8/2019	Forster	D14/230
D859,375 S *	9/2019	Gosalia	D14/230
D868,048 S *	11/2019	Keppiss	D14/238.1
D868,759 S *	12/2019	He	D14/230
D874,448 S *	2/2020	Forster	D14/230

Related U.S. Application Data

- (62) Division of application No. 29/570,571, filed on Jul. 8, 2016, now Pat. No. Des. 799,458.
- (51) **LOC (12) Cl.** **14-03**
- (52) **U.S. Cl.**
USPC **D14/230**
- (58) **Field of Classification Search**
USPC D12/42, 43; D14/230, 138, 135,
D14/231-238, 238.1, 299, 358
CPC G01R 29/10; G01S 2013/0245; G01S
2013/0254; G01S 2013/0263; G01S
7/4026
See application file for complete search history.

* cited by examiner

Primary Examiner — Mark A Goodwin
Assistant Examiner — Benjamin M Weeks
(74) *Attorney, Agent, or Firm* — Clause Eight IPS;
Michael Catania

- (56) **References Cited**
U.S. PATENT DOCUMENTS

D706,750 S *	6/2014	Bringuier	D14/230
D766,883 S *	9/2016	Yang	D14/230

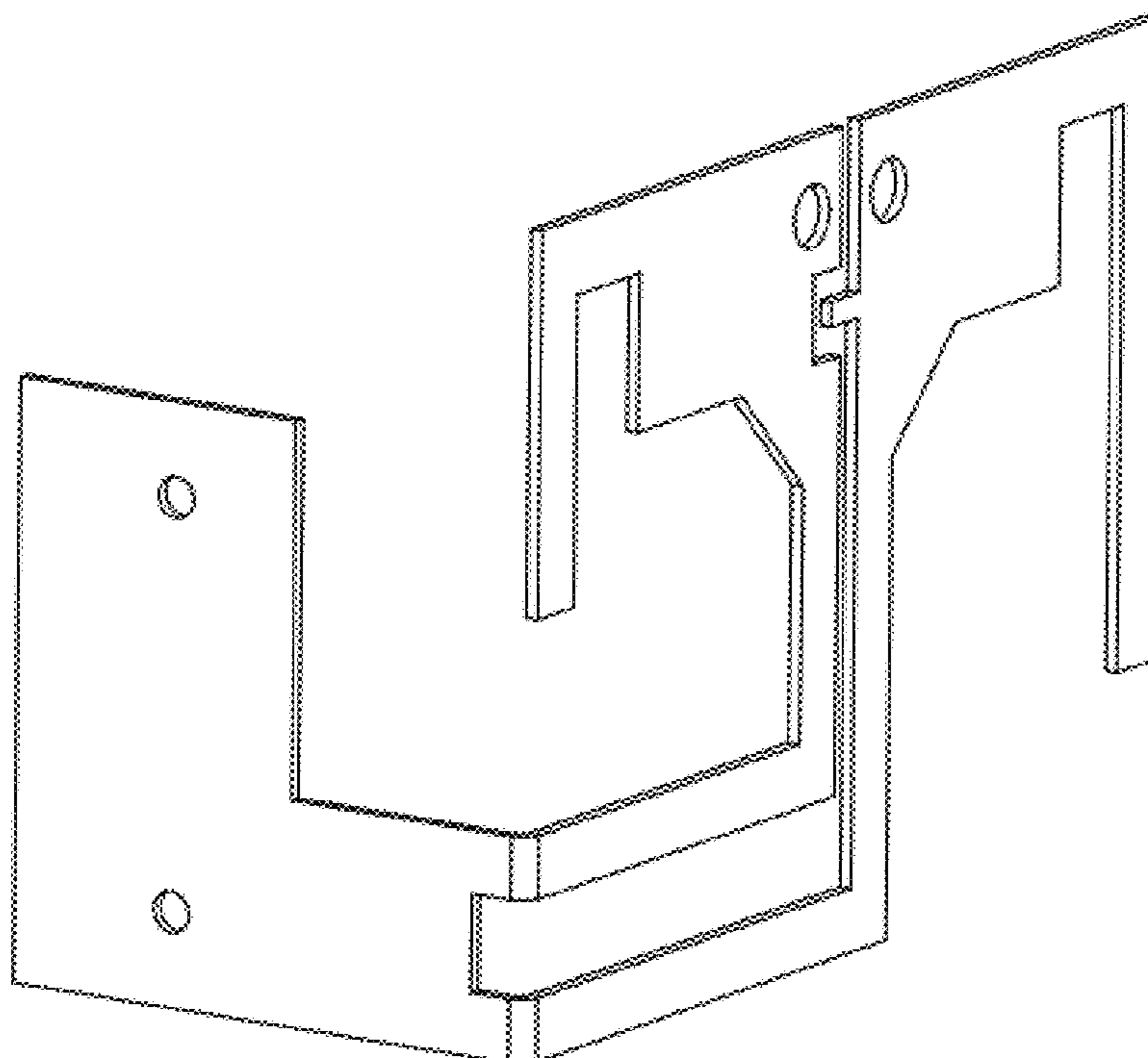
(57) **CLAIM**

The ornamental design for an antenna, as shown and described.

DESCRIPTION

FIG. 1 is a top perspective view of an antenna showing our new design;
FIG. 2 is a front elevation view thereof;
FIG. 3 is a bottom plan view thereof; and,
FIG. 4 is a side elevation view thereof.

1 Claim, 1 Drawing Sheet



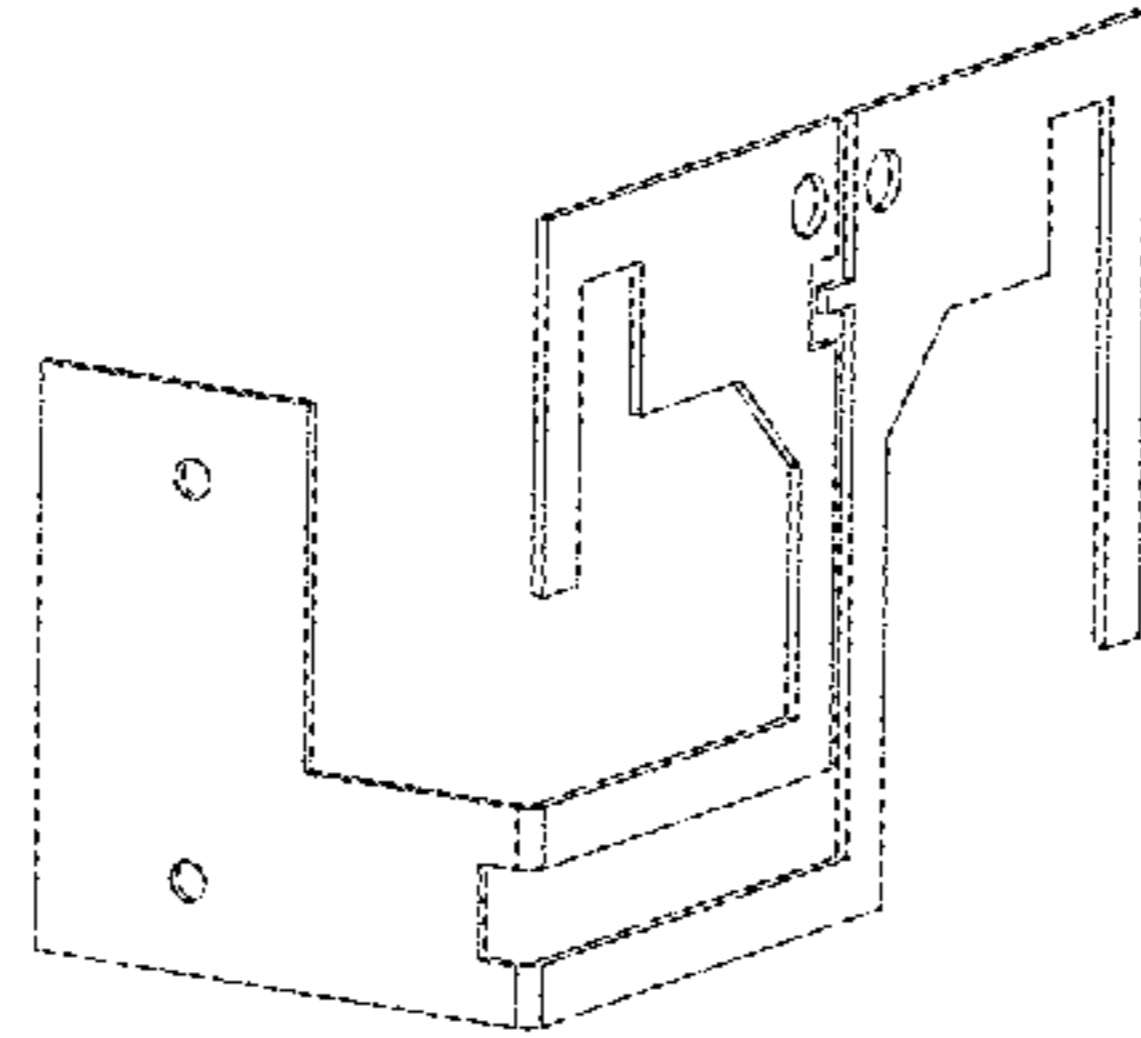


FIG. 1

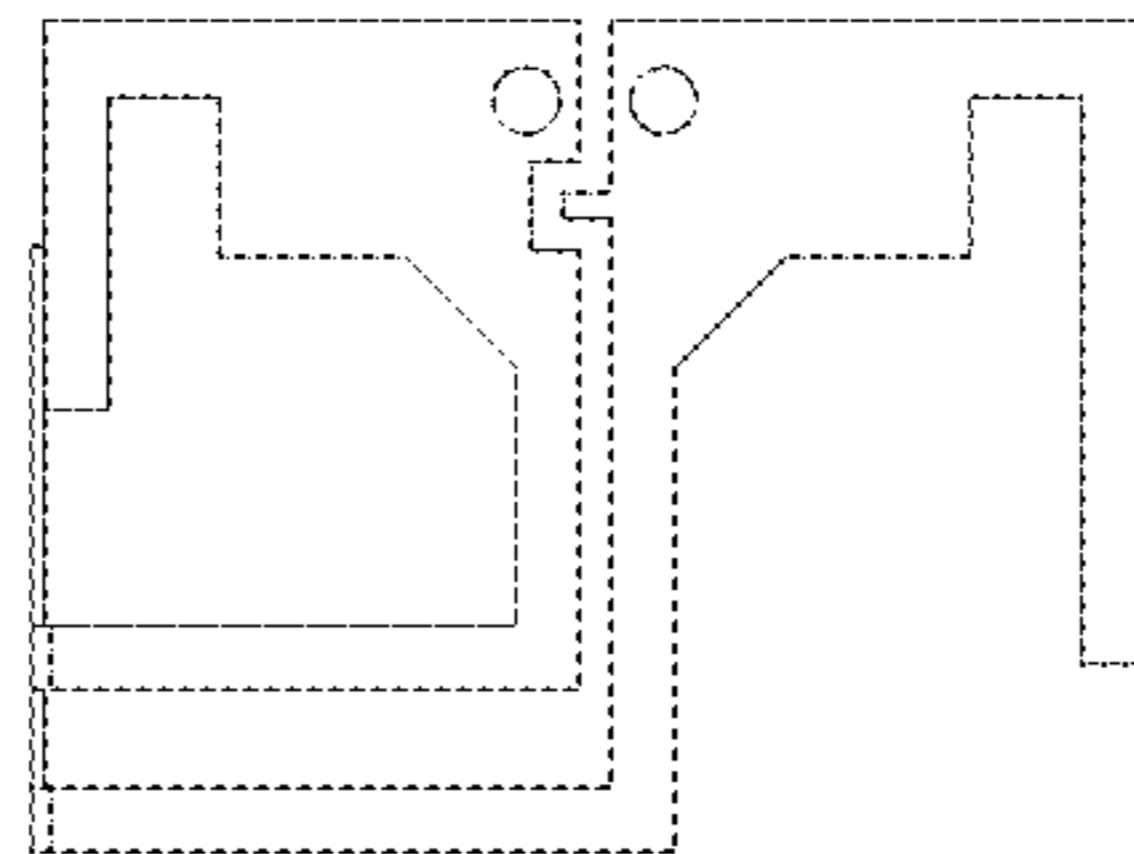


FIG. 2

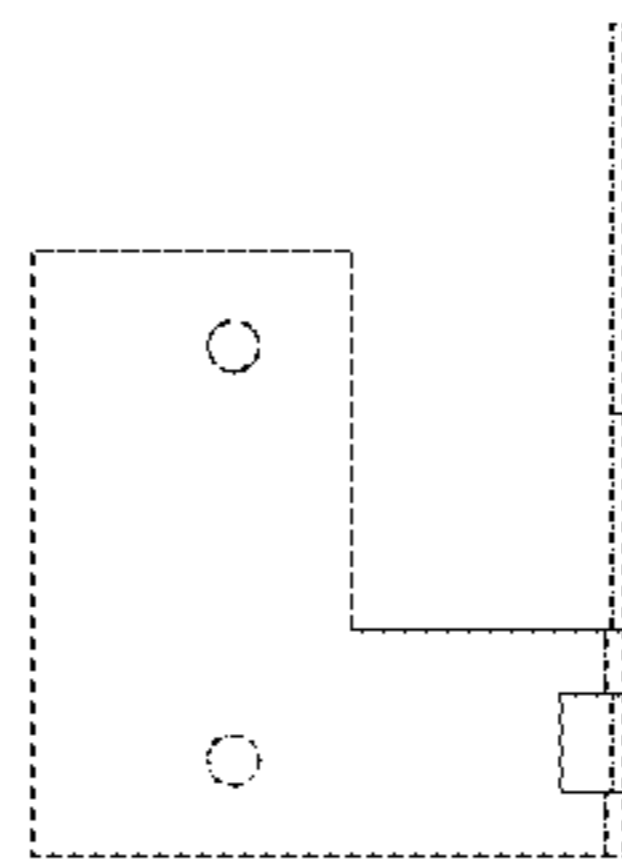


FIG. 3



FIG. 4