



US00D902891S

(12) **United States Design Patent**  
**Liu**

(10) **Patent No.:** **US D902,891 S**

(45) **Date of Patent:** **\*\* Nov. 24, 2020**

(54) **BLUETOOTH HEADPHONE**

(71) Applicant: **Chunhong Liu**, Nanchong (CN)

(72) Inventor: **Chunhong Liu**, Nanchong (CN)

(\*\*) Term: **15 Years**

(21) Appl. No.: **29/691,397**

(22) Filed: **May 16, 2019**

(30) **Foreign Application Priority Data**

Mar. 27, 2019 (CN) ..... 2019 3 0132754

(51) **LOC (12) Cl.** ..... **14-01**

(52) **U.S. Cl.**  
USPC ..... **D14/223**

(58) **Field of Classification Search**  
USPC ..... D14/223, 205, 206; D24/174; 128/864,  
128/865, 866; 181/129, 130, 135;  
(Continued)

(56) **References Cited**

**U.S. PATENT DOCUMENTS**

D574,366 S \* 8/2008 Sade ..... D14/223  
D574,367 S \* 8/2008 Jaakkola ..... D14/205  
(Continued)

*Primary Examiner* — Katie Jane Stofko

(57) **CLAIM**

The ornamental design for a Bluetooth headphone, as shown and described.

**DESCRIPTION**

FIG. 1 is a perspective view of a first embodiment of a Bluetooth headphone showing my new design;  
FIG. 2 is another perspective view thereof;  
FIG. 3 is a front elevational view thereof;  
FIG. 4 is a rear devotional view thereof;  
FIG. 5 is a left side elevational view thereof;

FIG. 6 is a right side elevational view thereof;  
FIG. 7 is a top plan view thereof;  
FIG. 8 is a bottom plan view thereof;  
FIG. 9 is a perspective view of a second embodiment of the Bluetooth headphone showing my new design;  
FIG. 10 is a front elevational view thereof;  
FIG. 11 is a rear elevational view thereof;  
FIG. 12 is a left side elevational view thereof;  
FIG. 13 is a right side elevational view thereof;  
FIG. 14 is a top plan view thereof;  
FIG. 15 is a bottom plan view thereof;  
FIG. 16 is an enlarged view of portion 16 shown in FIG. 9;  
FIG. 17 is a perspective view of a third embodiment of the Bluetooth headphone showing my new design;  
FIG. 18 is a front elevational view thereof;  
FIG. 19 is a rear elevational view thereof;  
FIG. 20 is a left side elevational view thereof;  
FIG. 21 is a right side elevational view thereof;  
FIG. 22 is a top plan view thereof;  
FIG. 23 is a bottom plan view thereof;  
FIG. 24 is a perspective view of a fourth embodiment of the Bluetooth headphone showing my new design;  
FIG. 25 is a front devotional view thereof;  
FIG. 26 is a rear elevational view thereof;  
FIG. 27 is a left side elevational view thereof;  
FIG. 28 is a right side elevational view thereof;  
FIG. 29 is a top plan view thereof;  
FIG. 30 is a bottom plan view thereof;  
FIG. 31 is a perspective view of a fifth embodiment of the Bluetooth headphone showing my new design;  
FIG. 32 is a front elevational view thereof;  
FIG. 33 is a rear elevational view thereof;  
FIG. 34 is a left side elevational view thereof;  
FIG. 35 is a right side elevational view thereof;  
FIG. 36 is a top plan view thereof;  
FIG. 37 is a bottom plan view thereof;  
FIG. 38 is a perspective view of a sixth embodiment of the Bluetooth headphone showing my new design;  
FIG. 39 is a front elevational view thereof;  
FIG. 40 is a rear elevational view thereof;  
FIG. 41 is a left side elevational view thereof;  
FIG. 42 is a right side elevational view thereof;  
FIG. 43 is a top plan view thereof;  
FIG. 44 is a bottom plan view thereof; and,

(Continued)

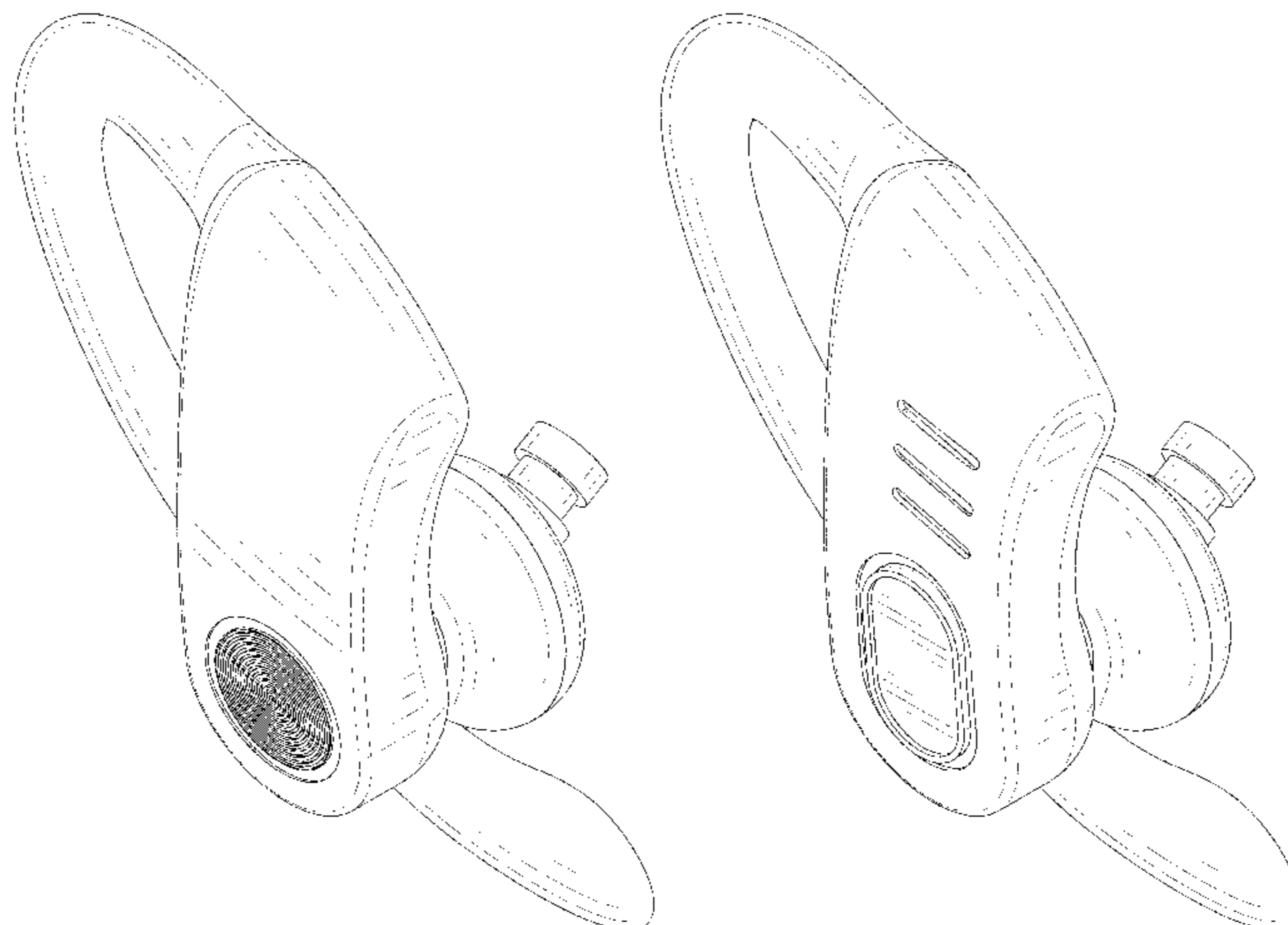


FIG. 45 is an enlarged view of portion 38 shown in FIG. 38. The broken lines in the drawings depict portions of the Bluetooth headphone that form no part of the claimed design.

**1 Claim, 45 Drawing Sheets**

(58) **Field of Classification Search**

USPC ..... 379/430, 431; 381/380, 381, 322-324,  
381/330; 455/90.3, 575, 1, 569.1  
CPC ..... H04R 1/10; H04R 25/00; H04R 1/1016;  
H04R 1/1066; H04R 5/033; H04R  
5/0335; H04R 1/1091; H04R 1/1058;  
H04R 1/105; H04R 1/1083

See application file for complete search history.

(56) **References Cited**

U.S. PATENT DOCUMENTS

D624,529 S *	9/2010	Huang	.....	D14/223
D712,382 S *	9/2014	Brunner	.....	D14/223
D743,946 S *	11/2015	Brunner	.....	D14/223
D827,616 S *	9/2018	Lian	.....	D14/223
D838,692 S *	1/2019	Fu	.....	D14/223
D844,588 S *	4/2019	Brunner	.....	D14/223
D863,265 S *	10/2019	Hu	.....	D14/223
D868,749 S *	12/2019	Brunner	.....	D14/223
D873,247 S *	1/2020	Zhu	.....	D14/223
D878,338 S *	3/2020	Yang	.....	D14/223
D881,850 S *	4/2020	Zhang	.....	D14/223

\* cited by examiner

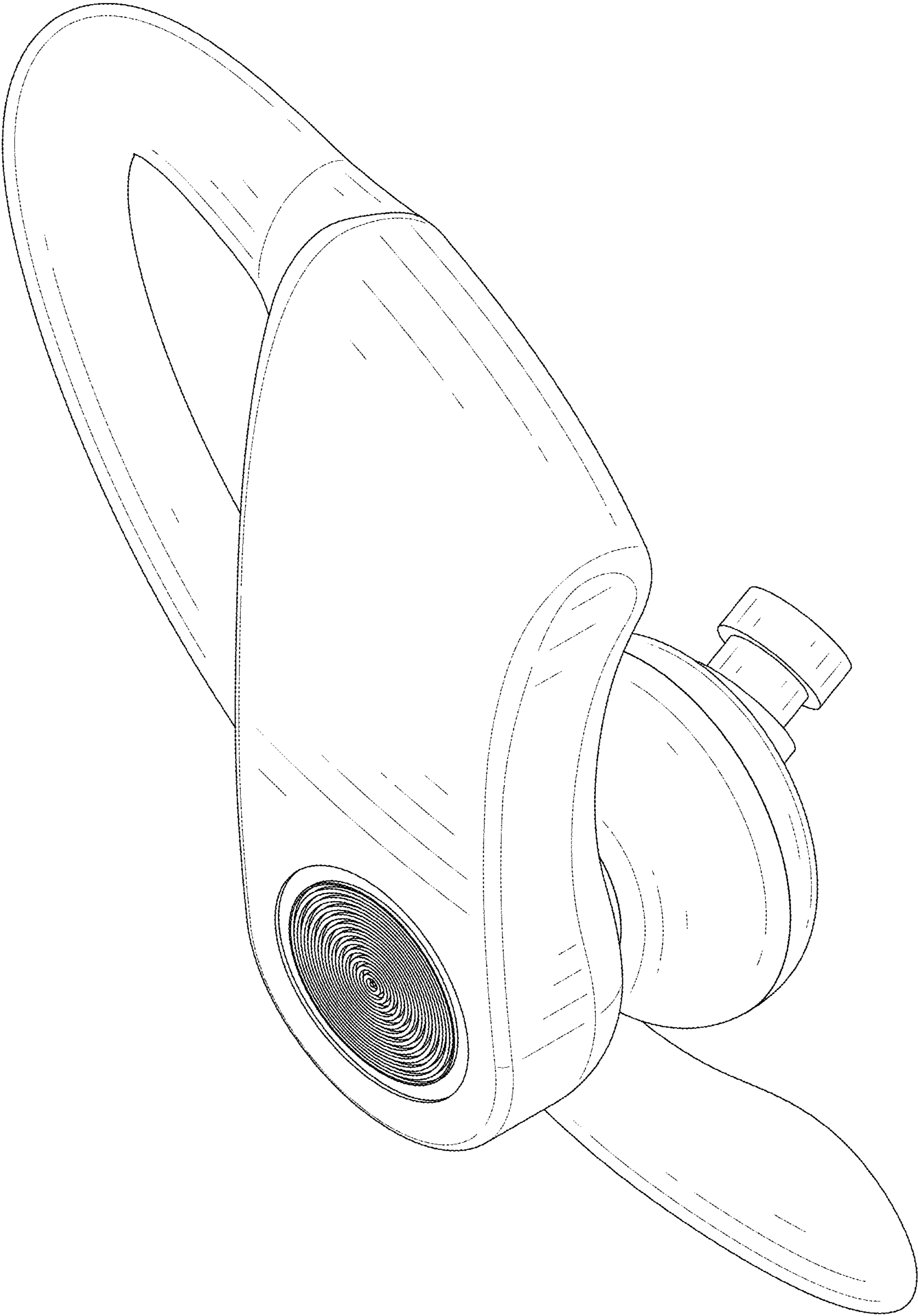


FIG. 1

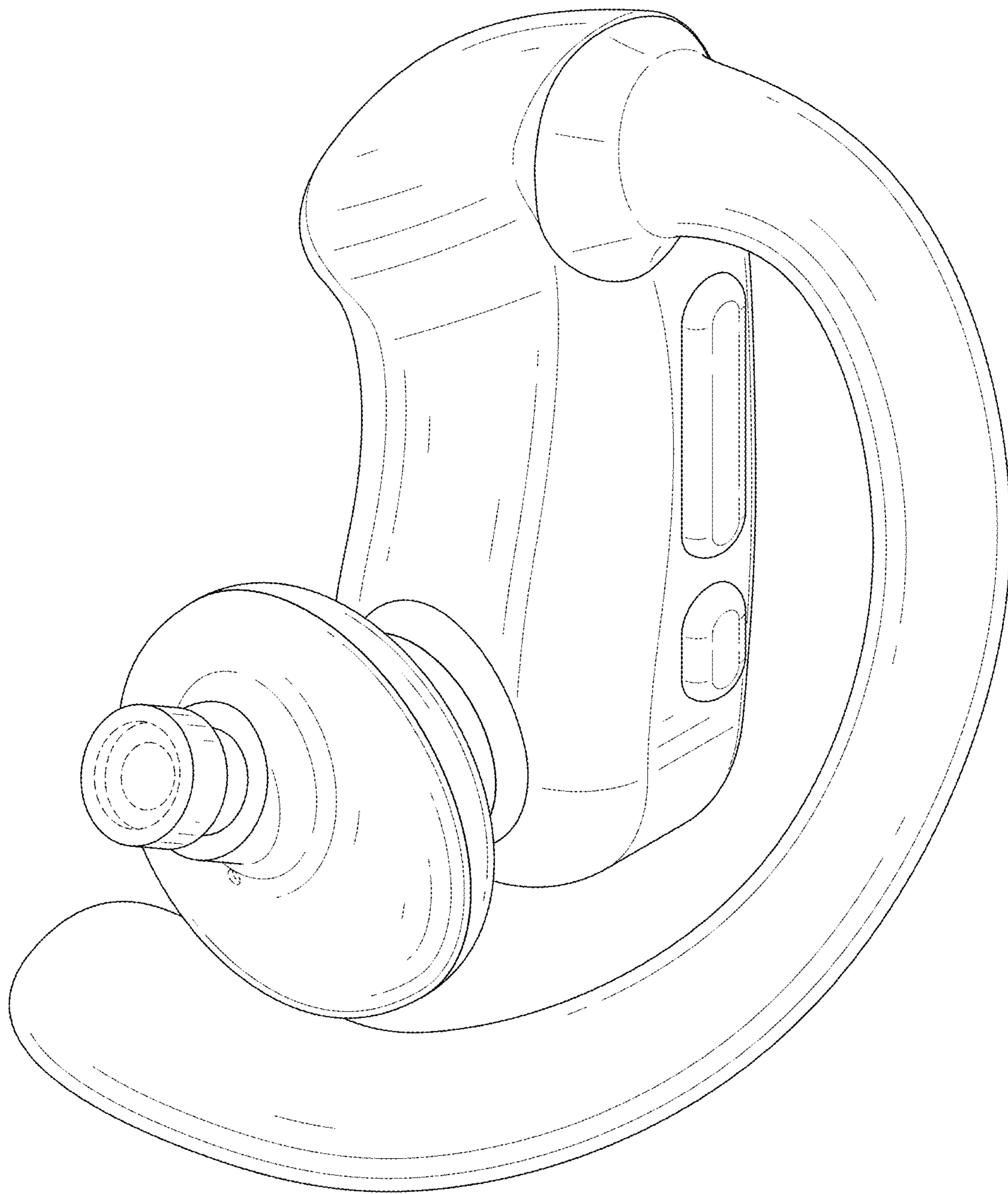


FIG. 2

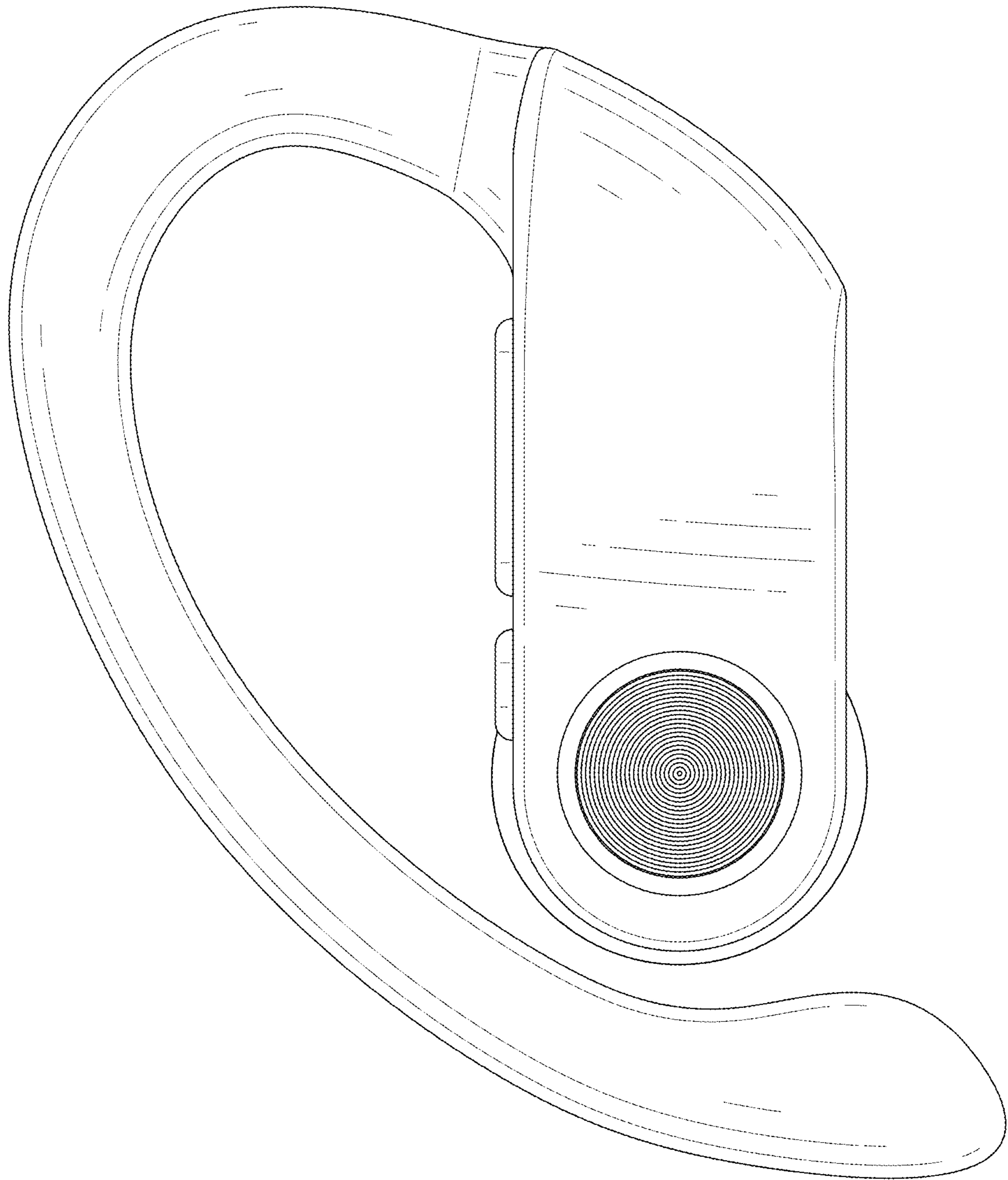


FIG. 3

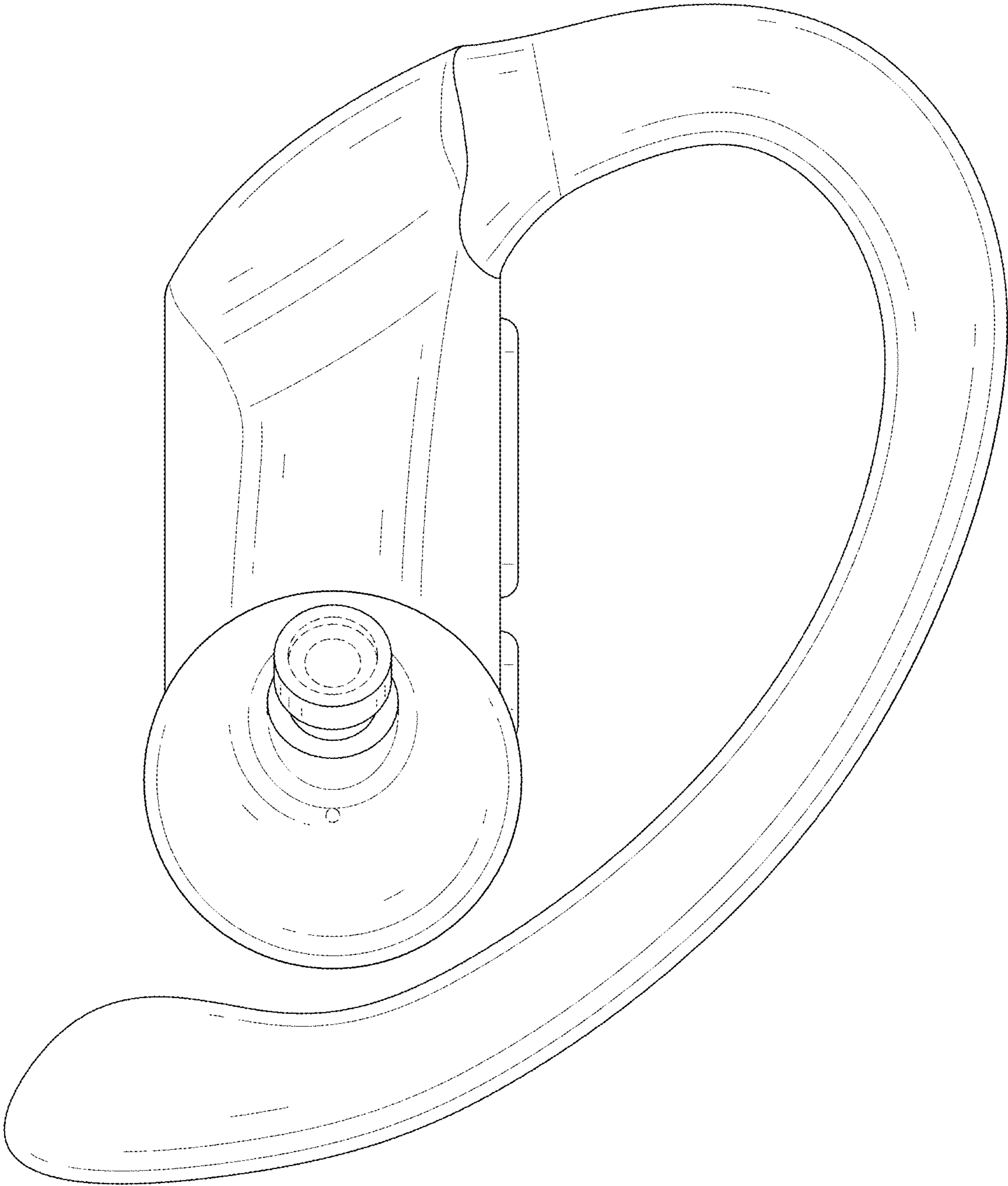


FIG. 4

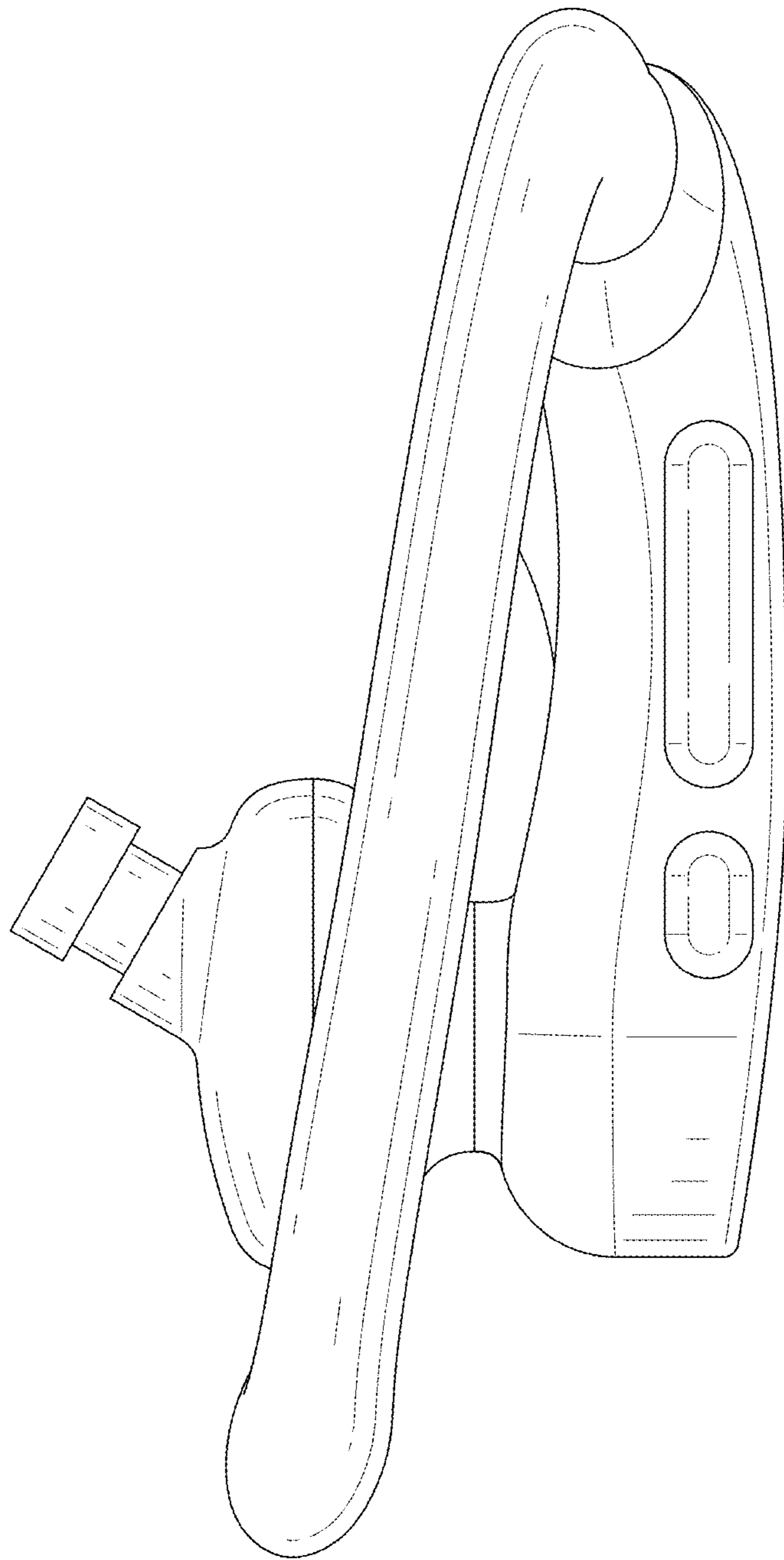


FIG. 5

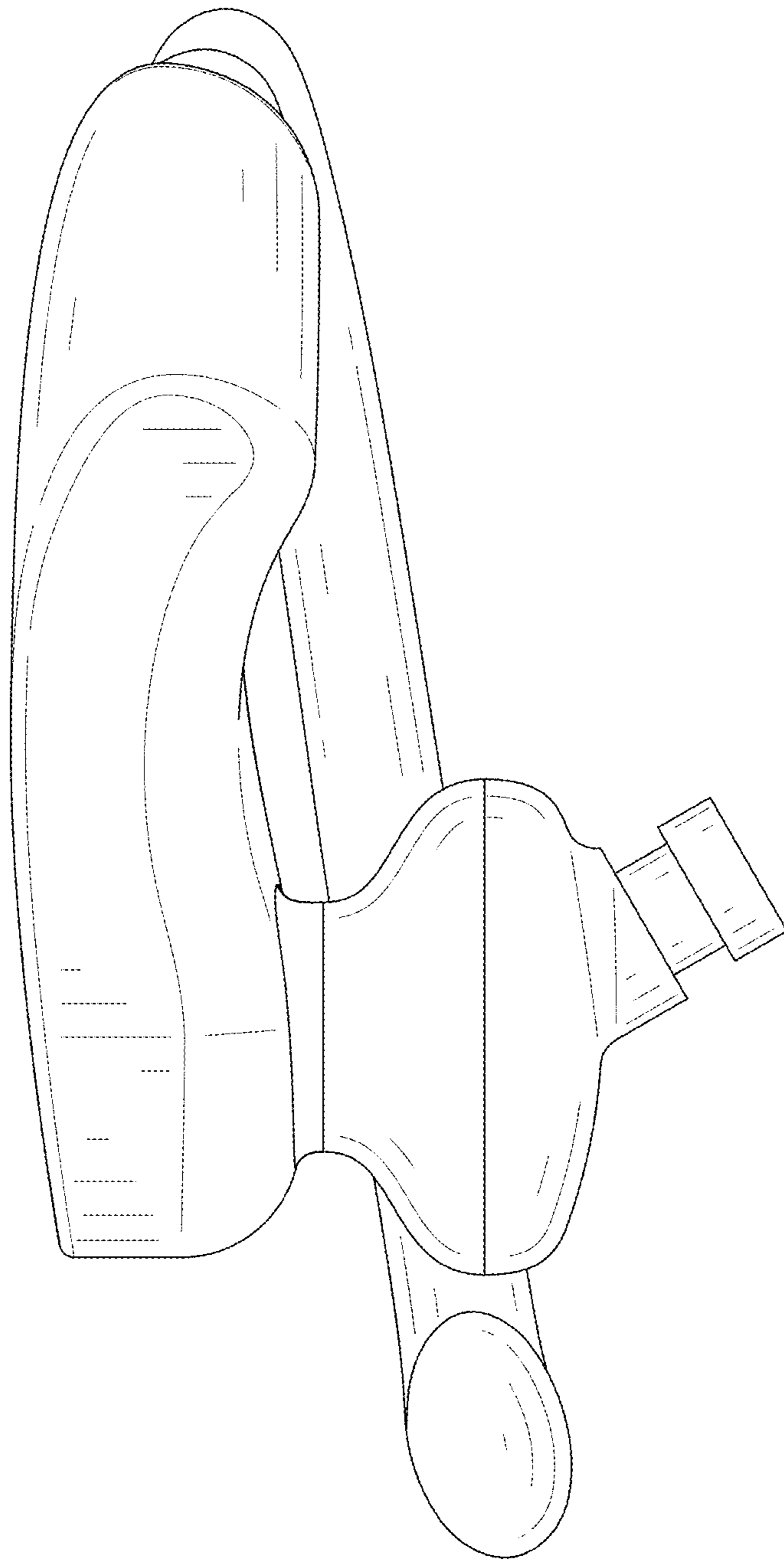


FIG. 6



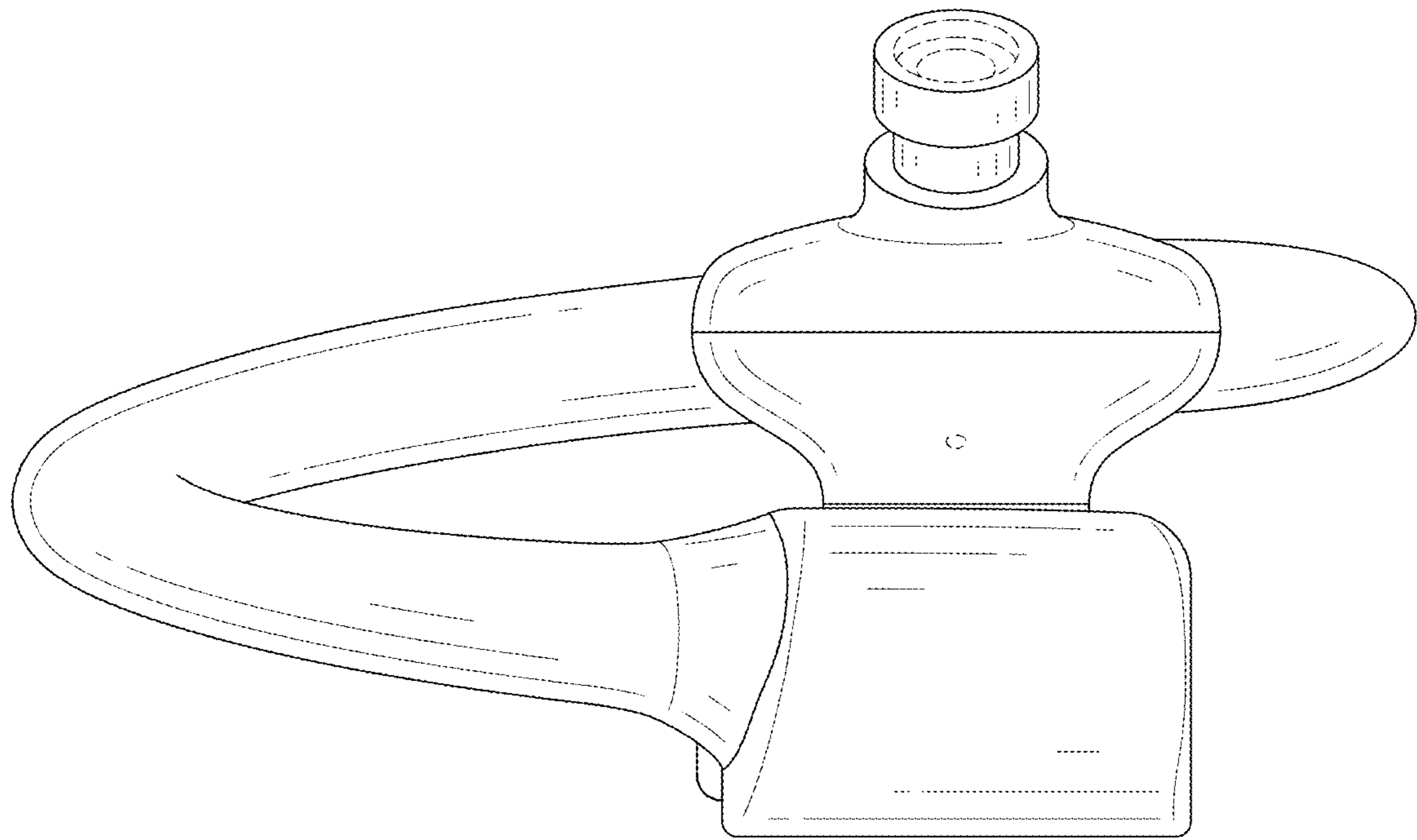


FIG. 7

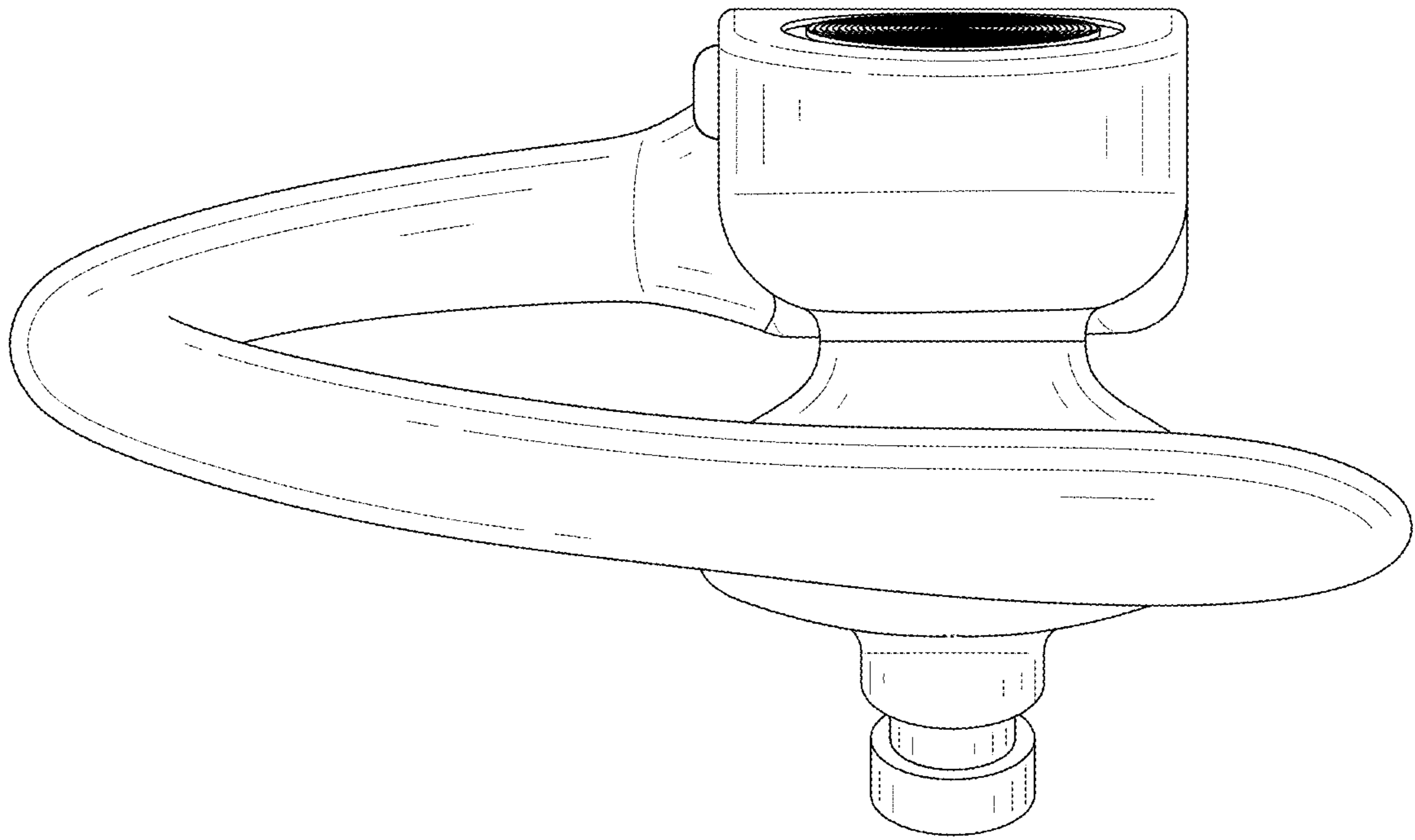
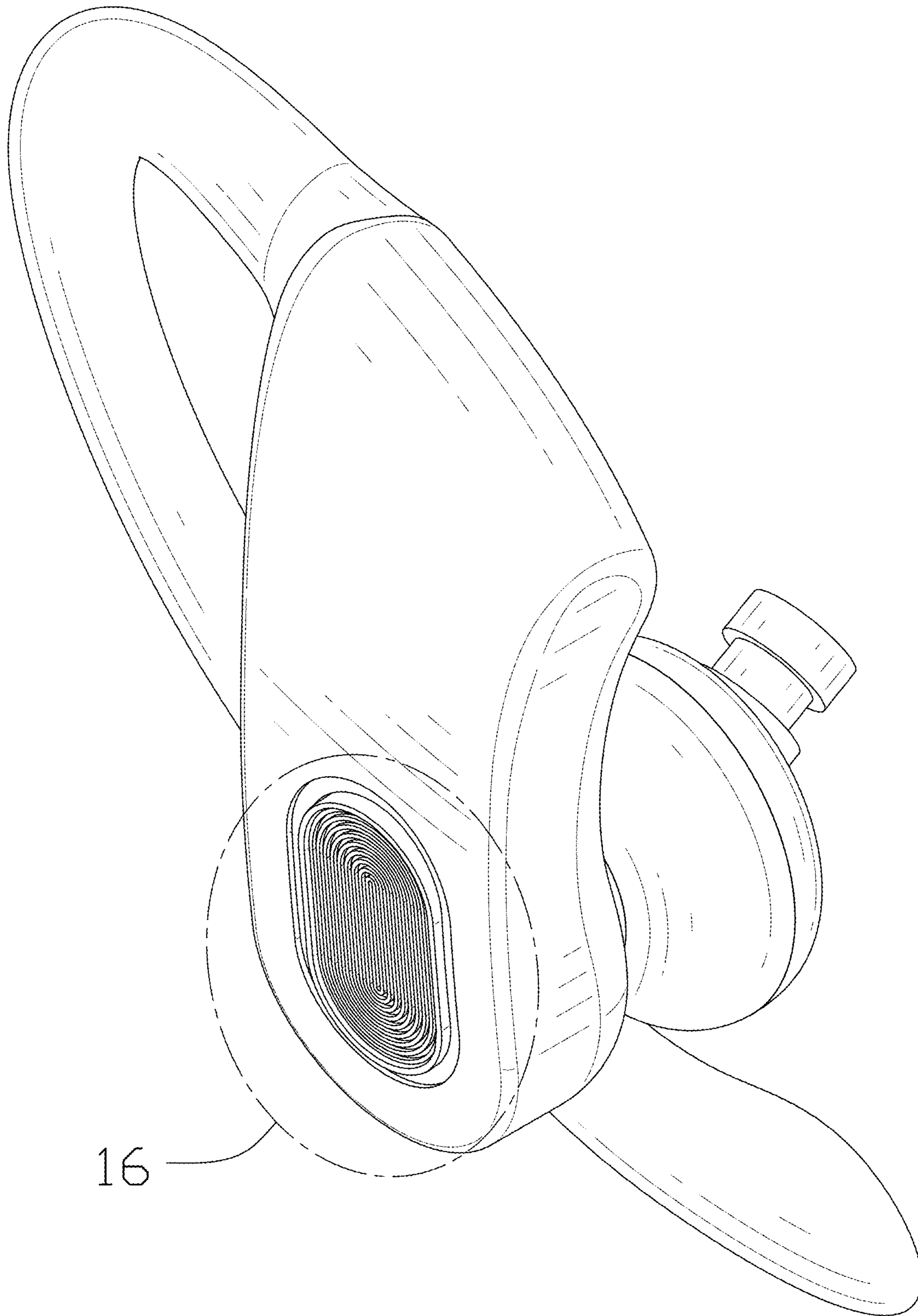


FIG. 8



16

FIG. 9

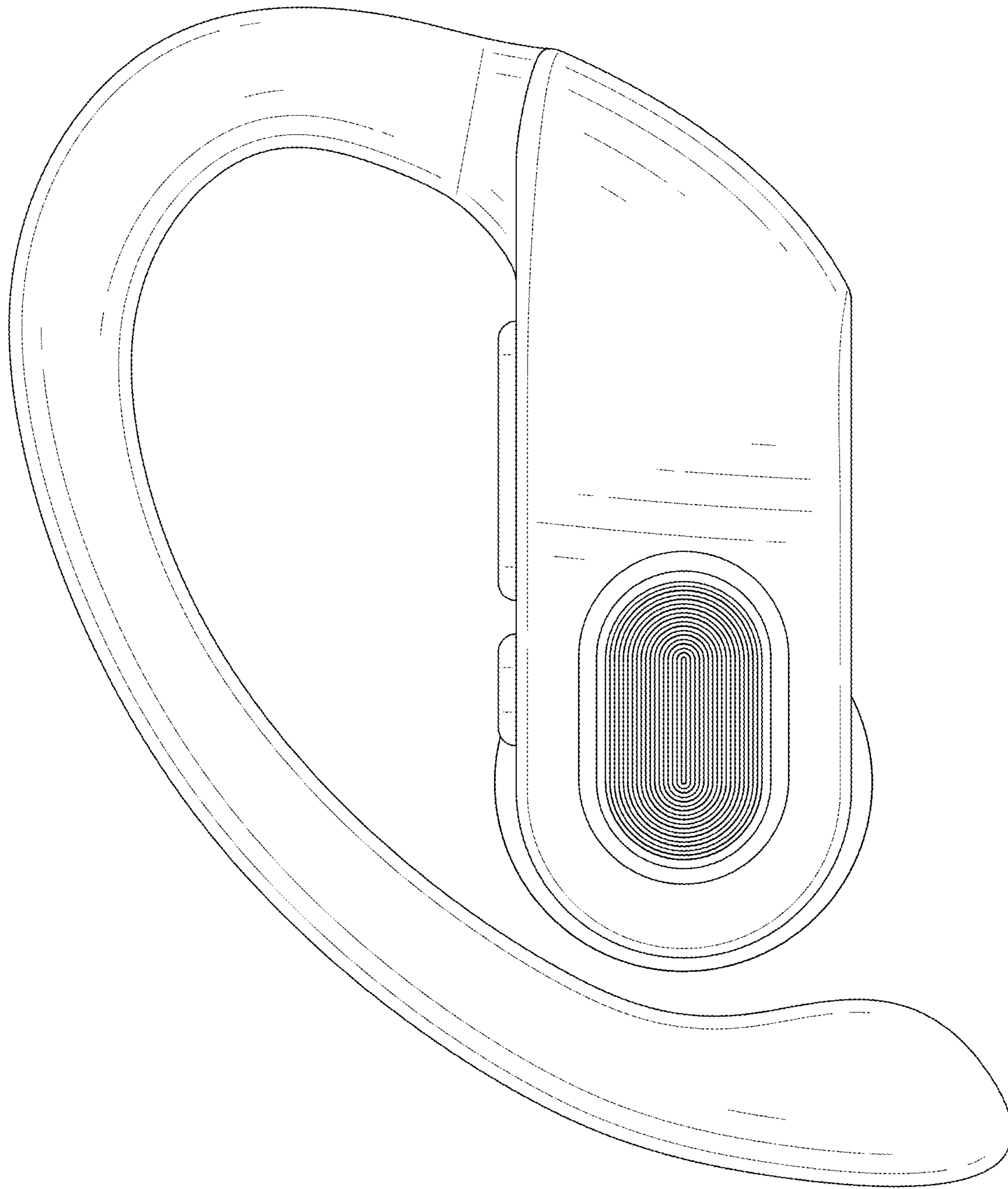


FIG. 10

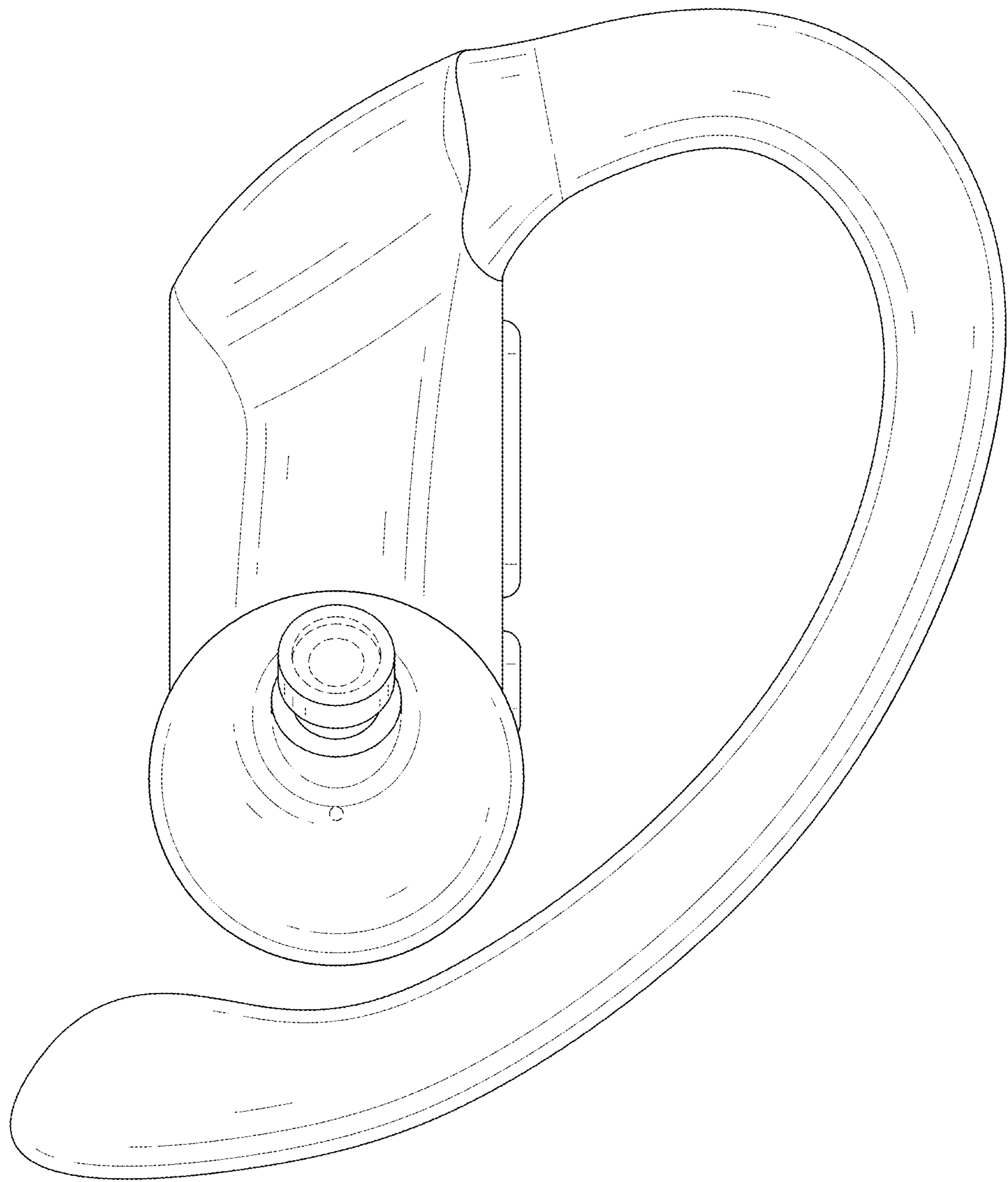


FIG. 11

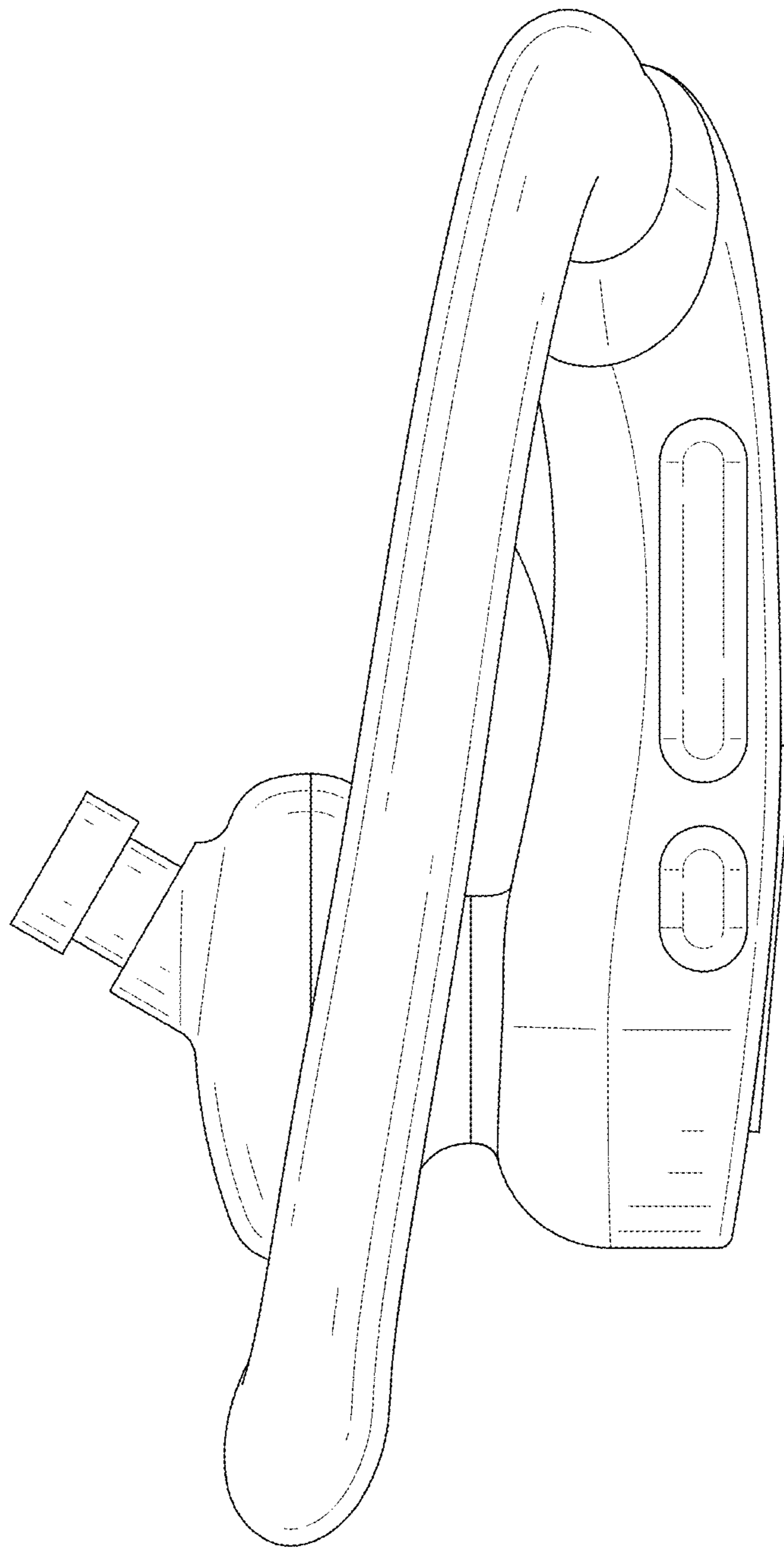


FIG. 12

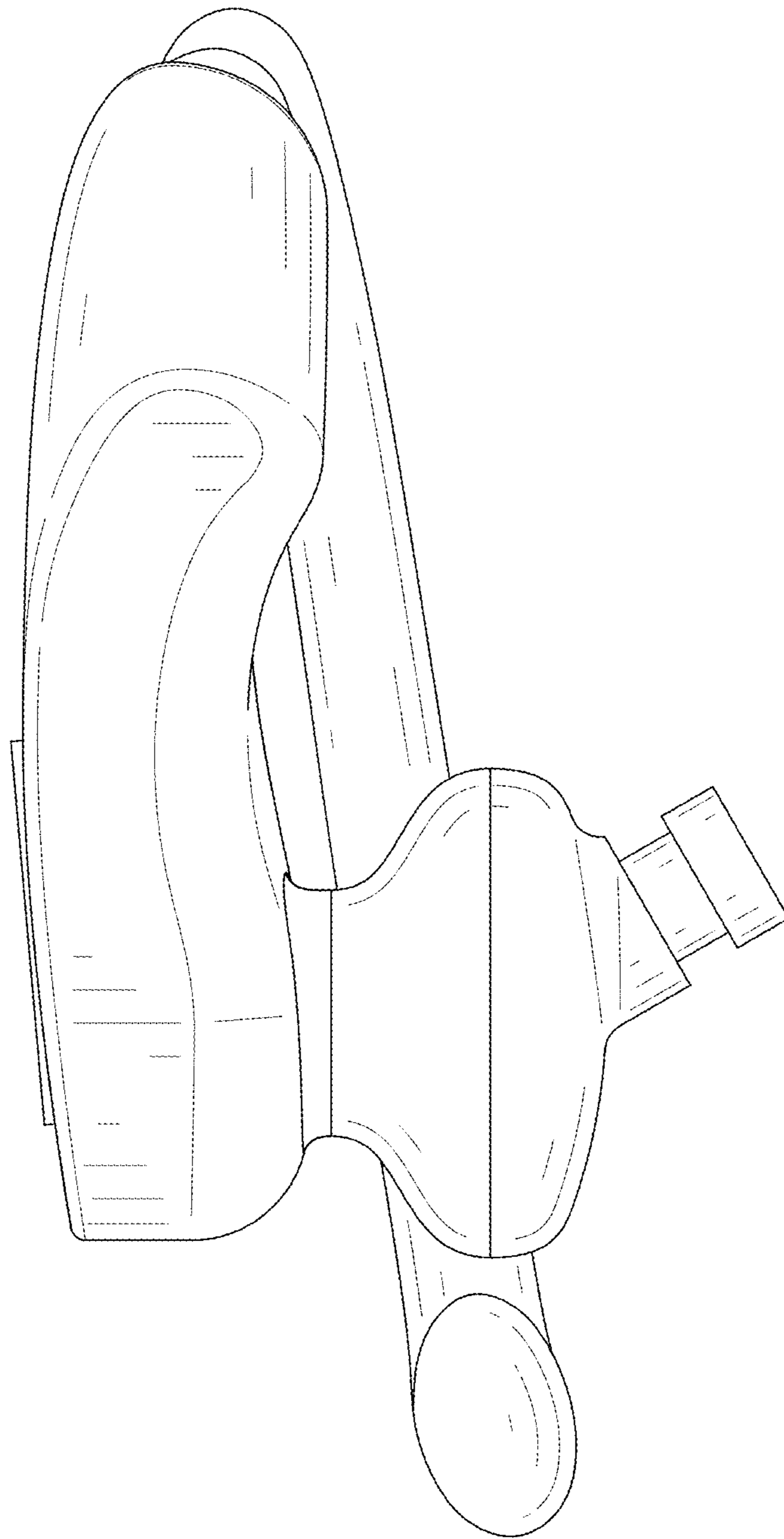


FIG. 13

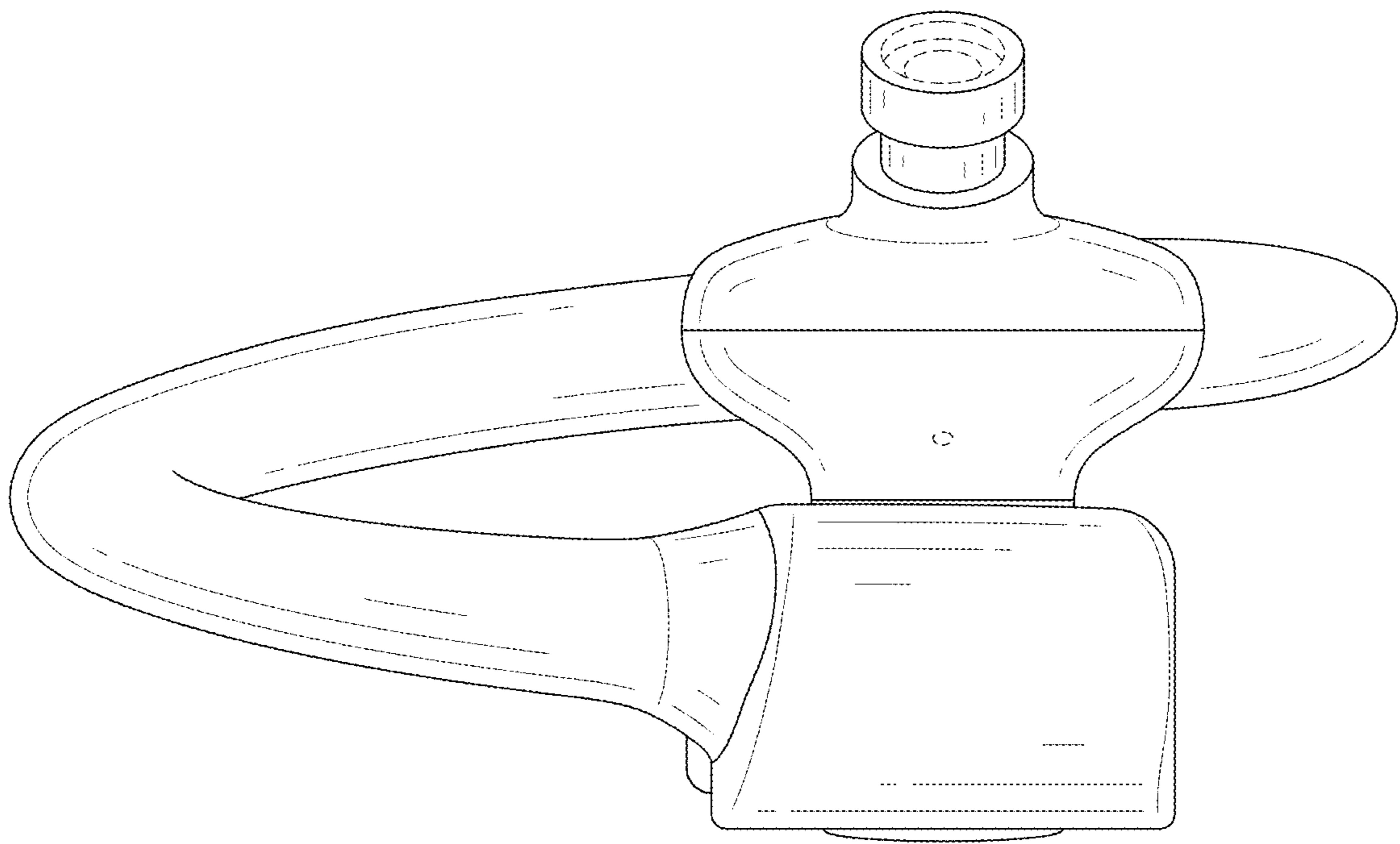


FIG. 14



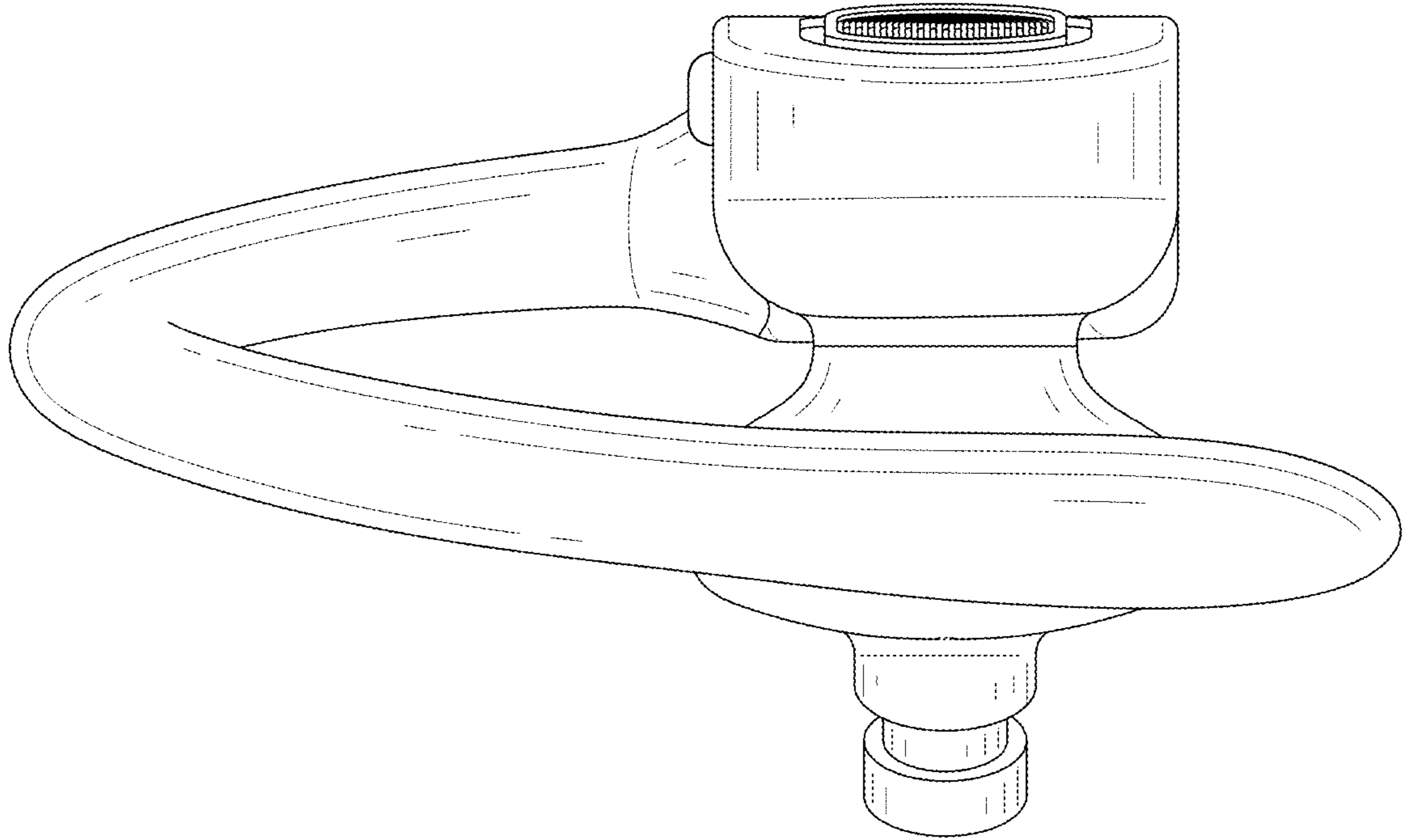


FIG. 15

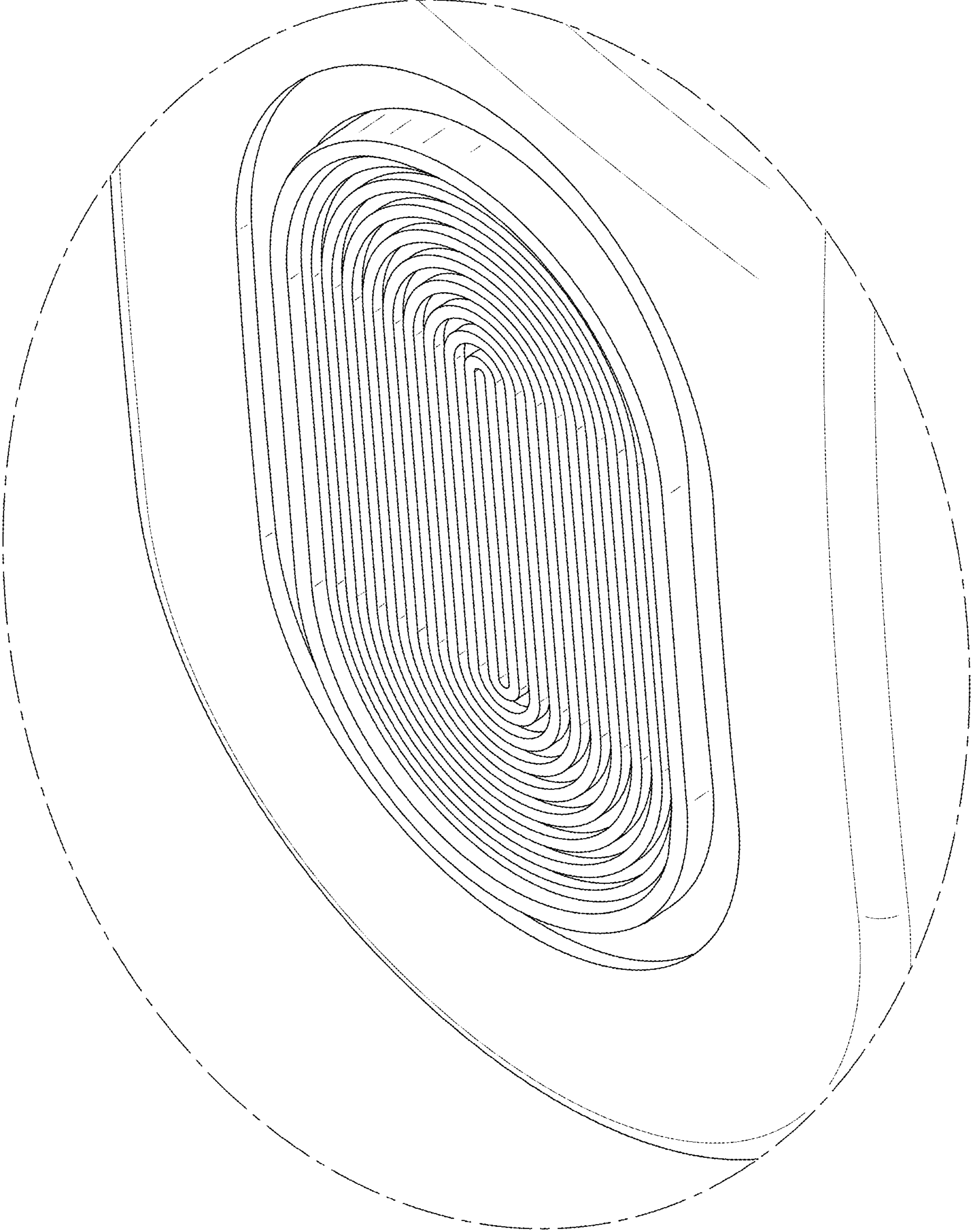


FIG. 16

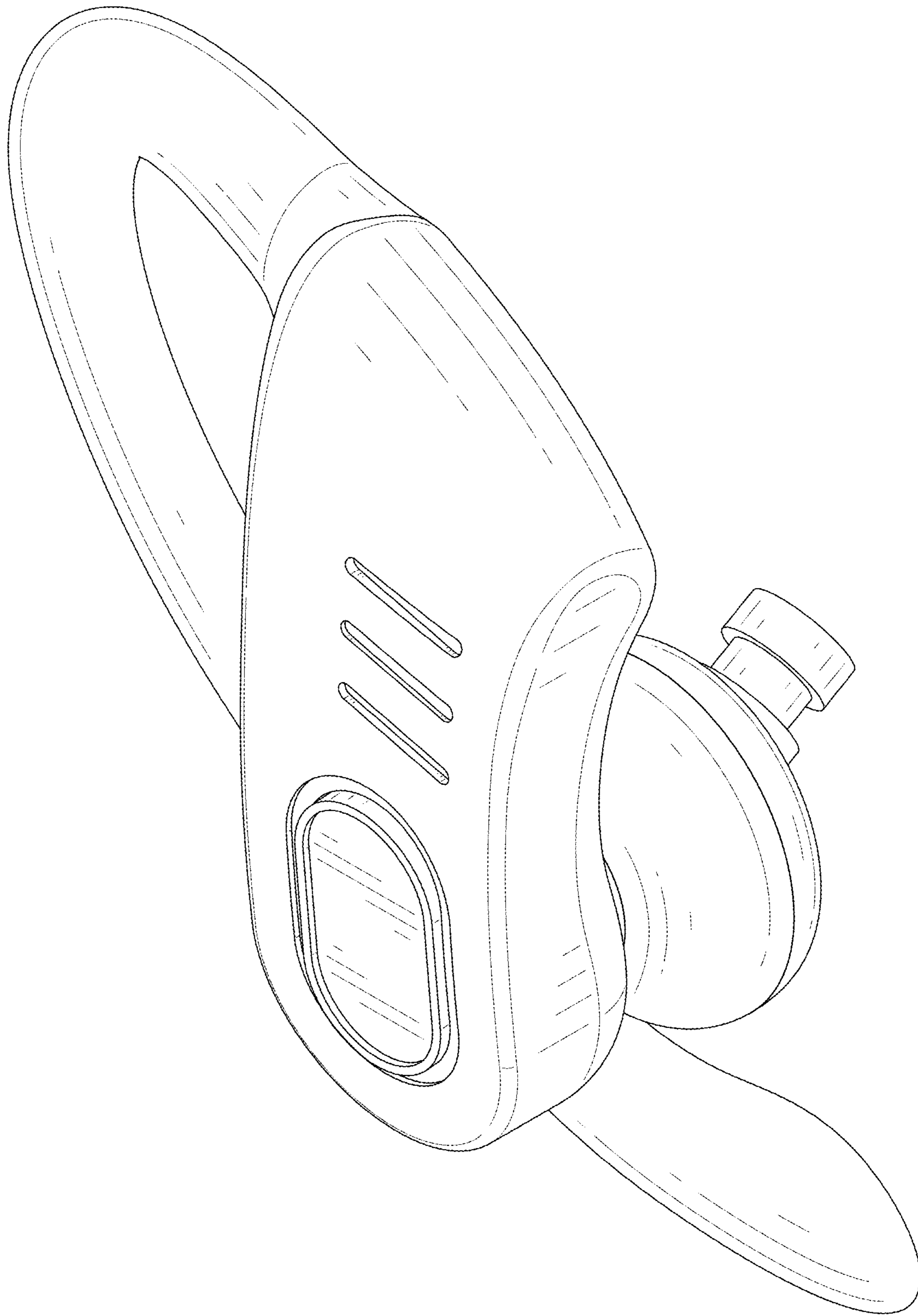


FIG. 17

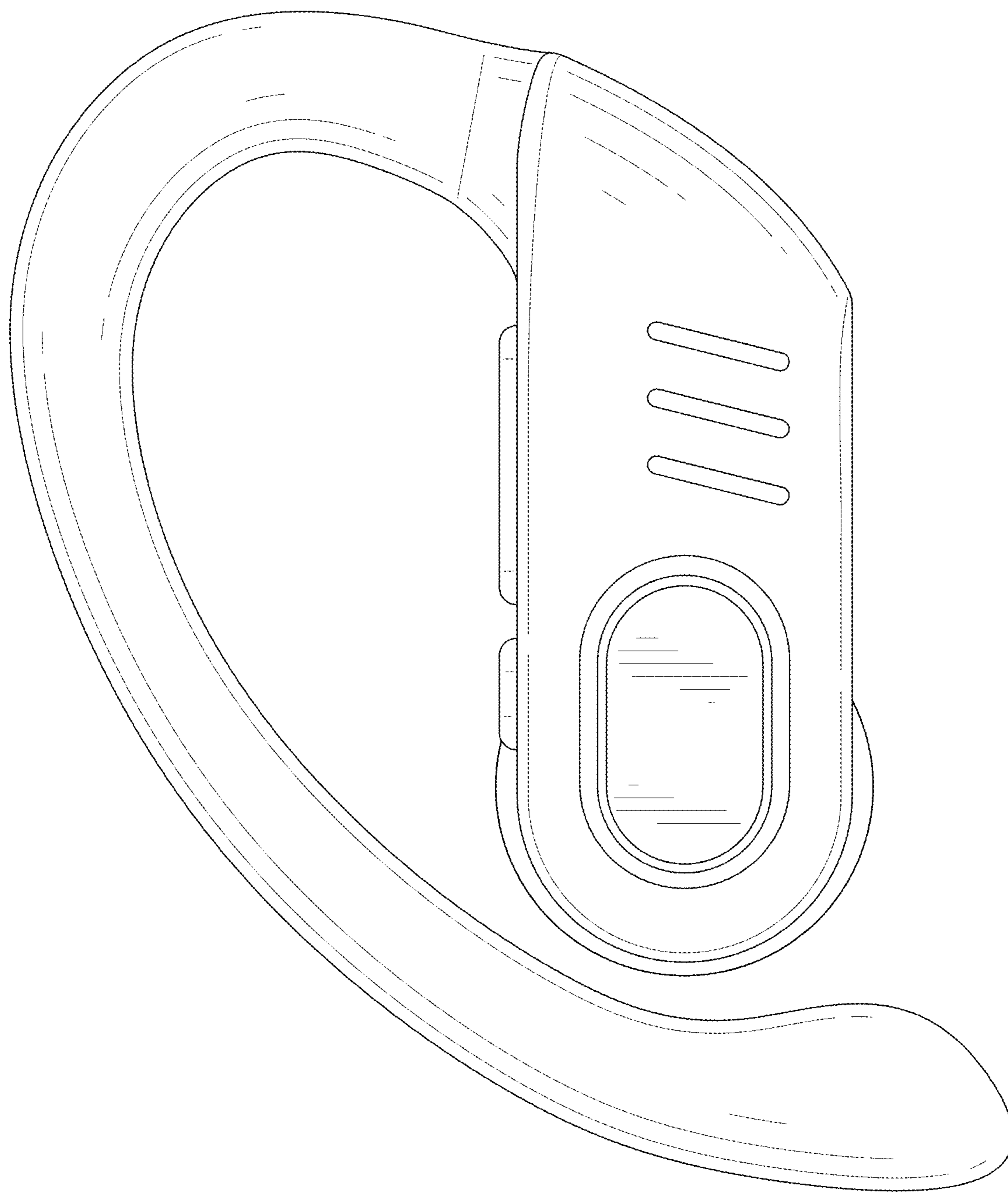


FIG. 18

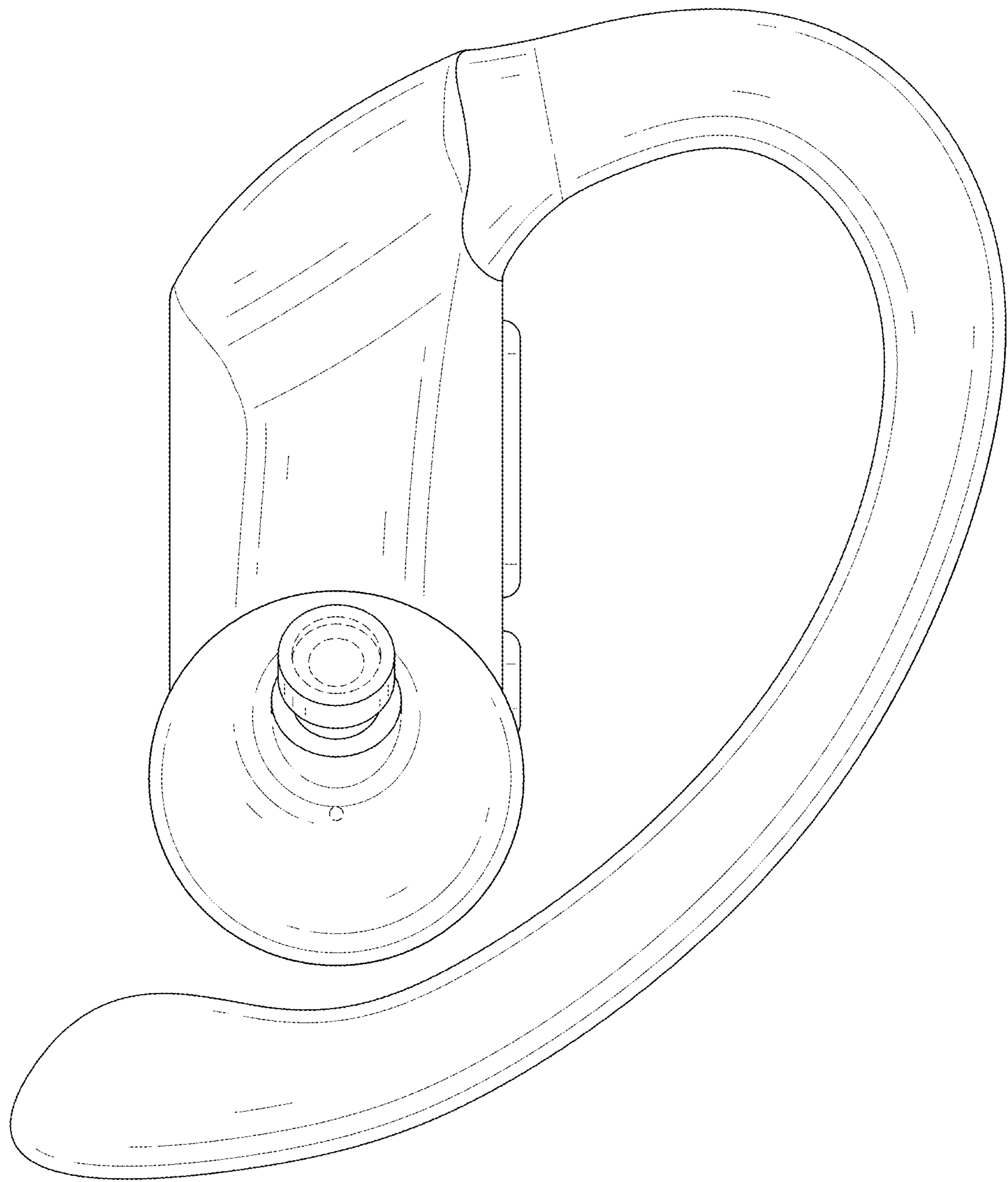


FIG. 19

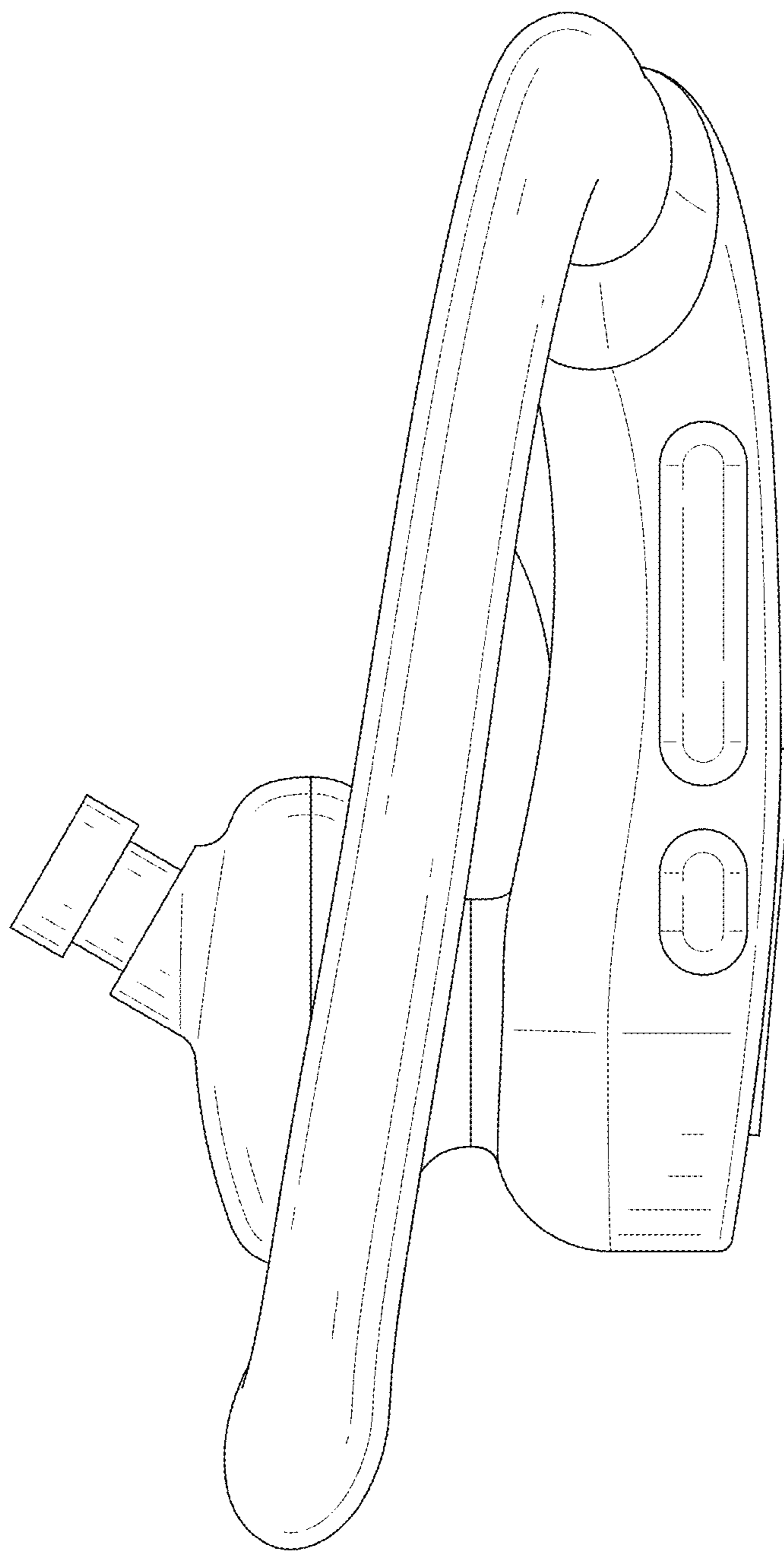


FIG. 20

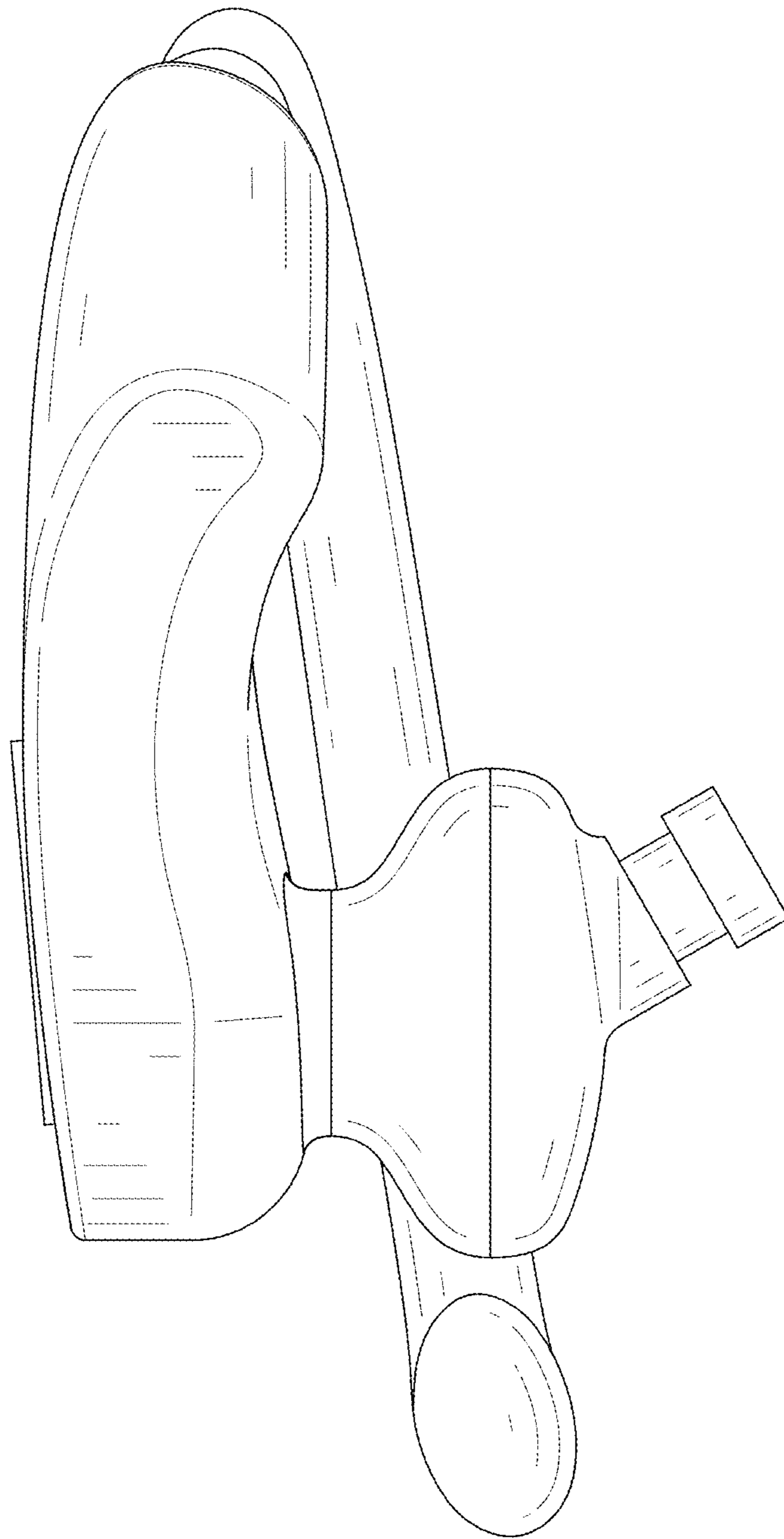


FIG. 21

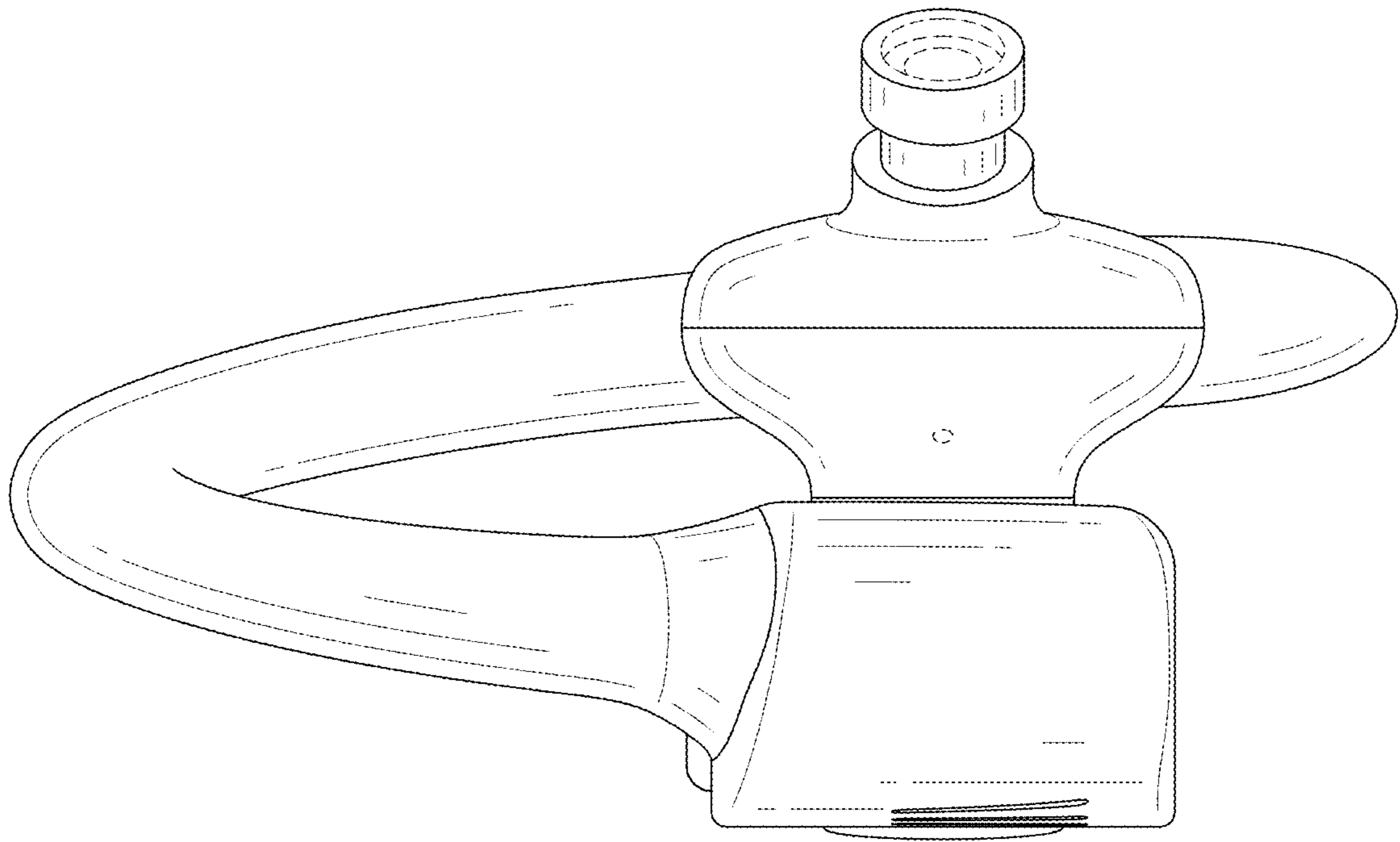


FIG. 22



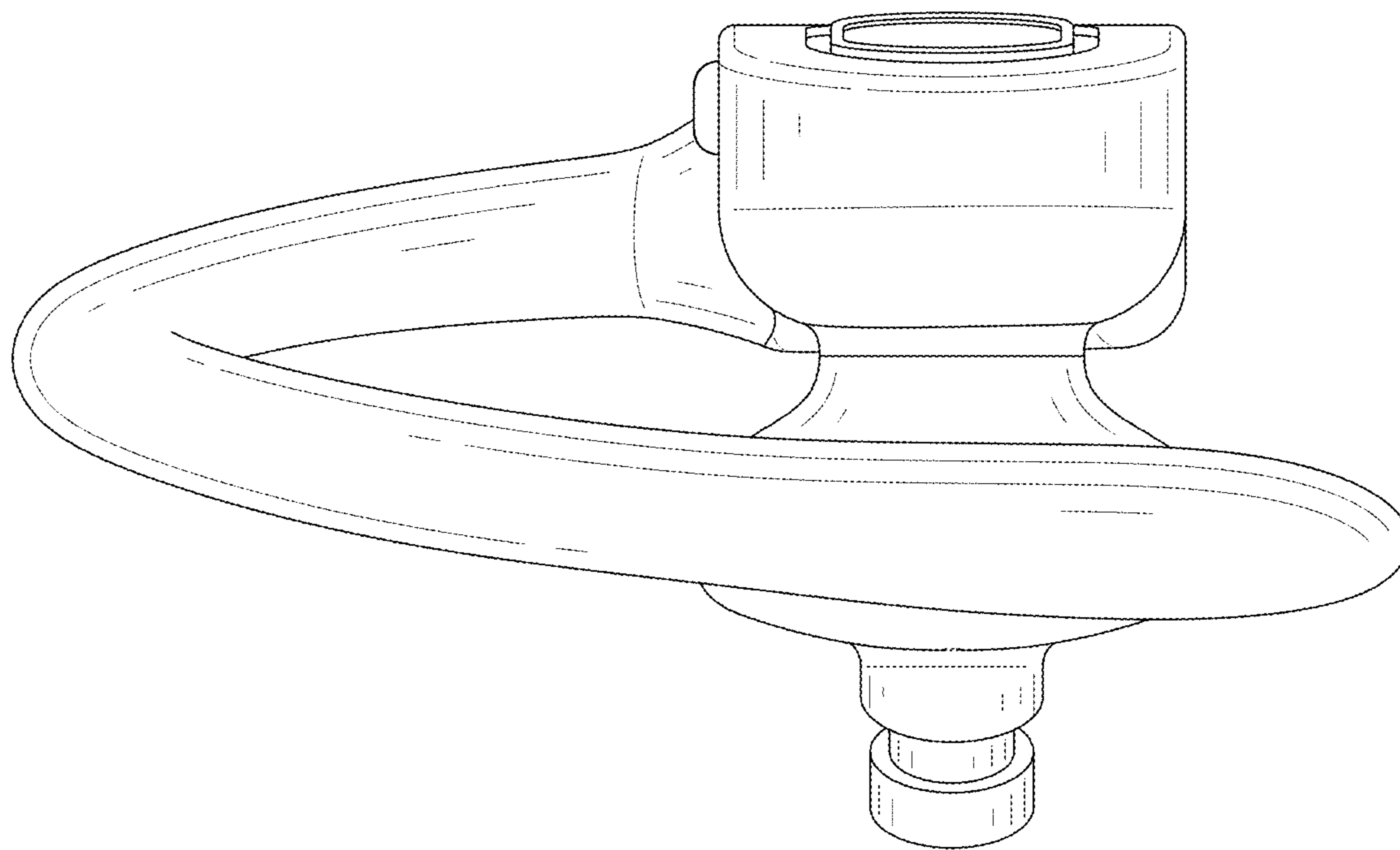


FIG. 23

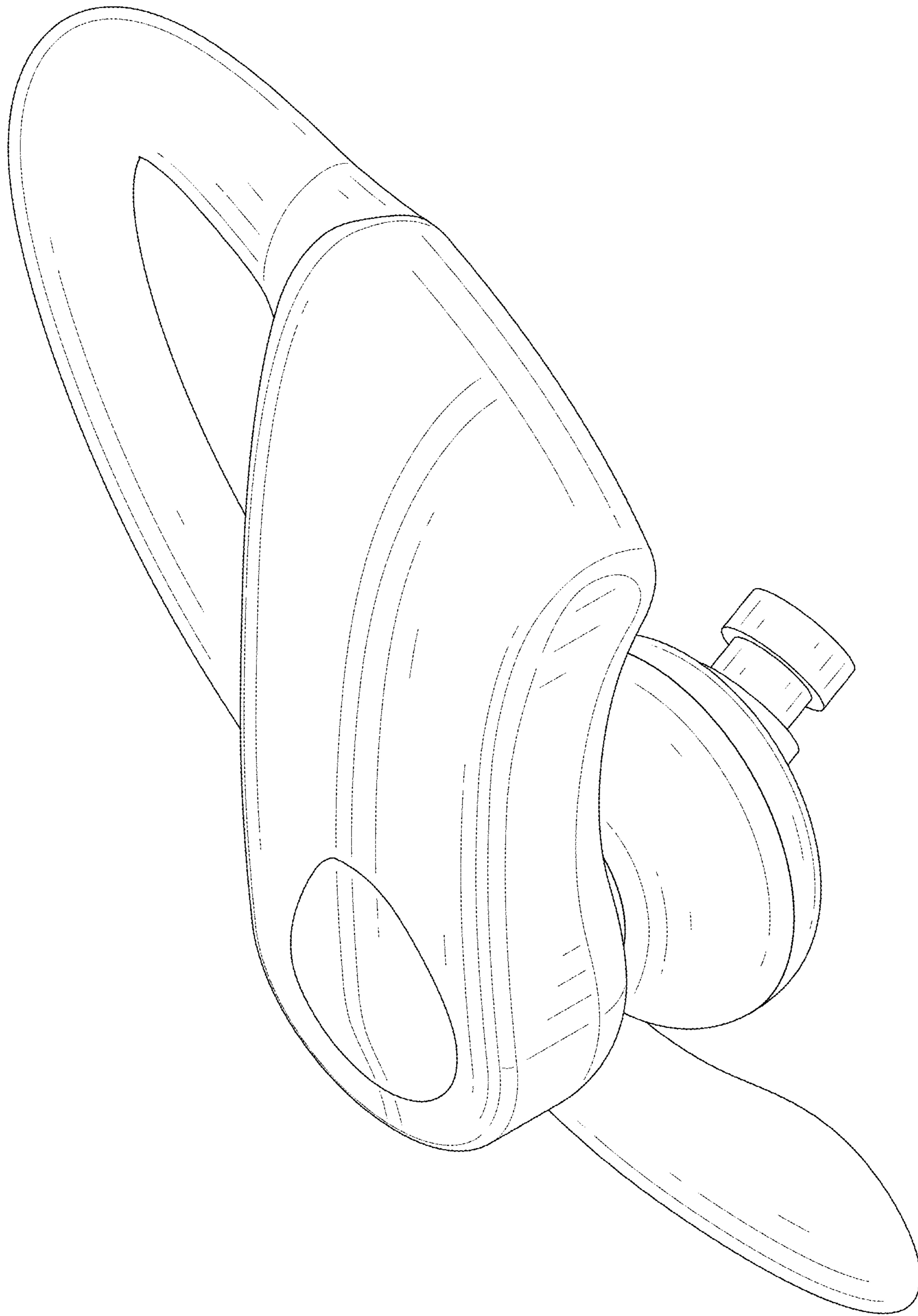


FIG. 24

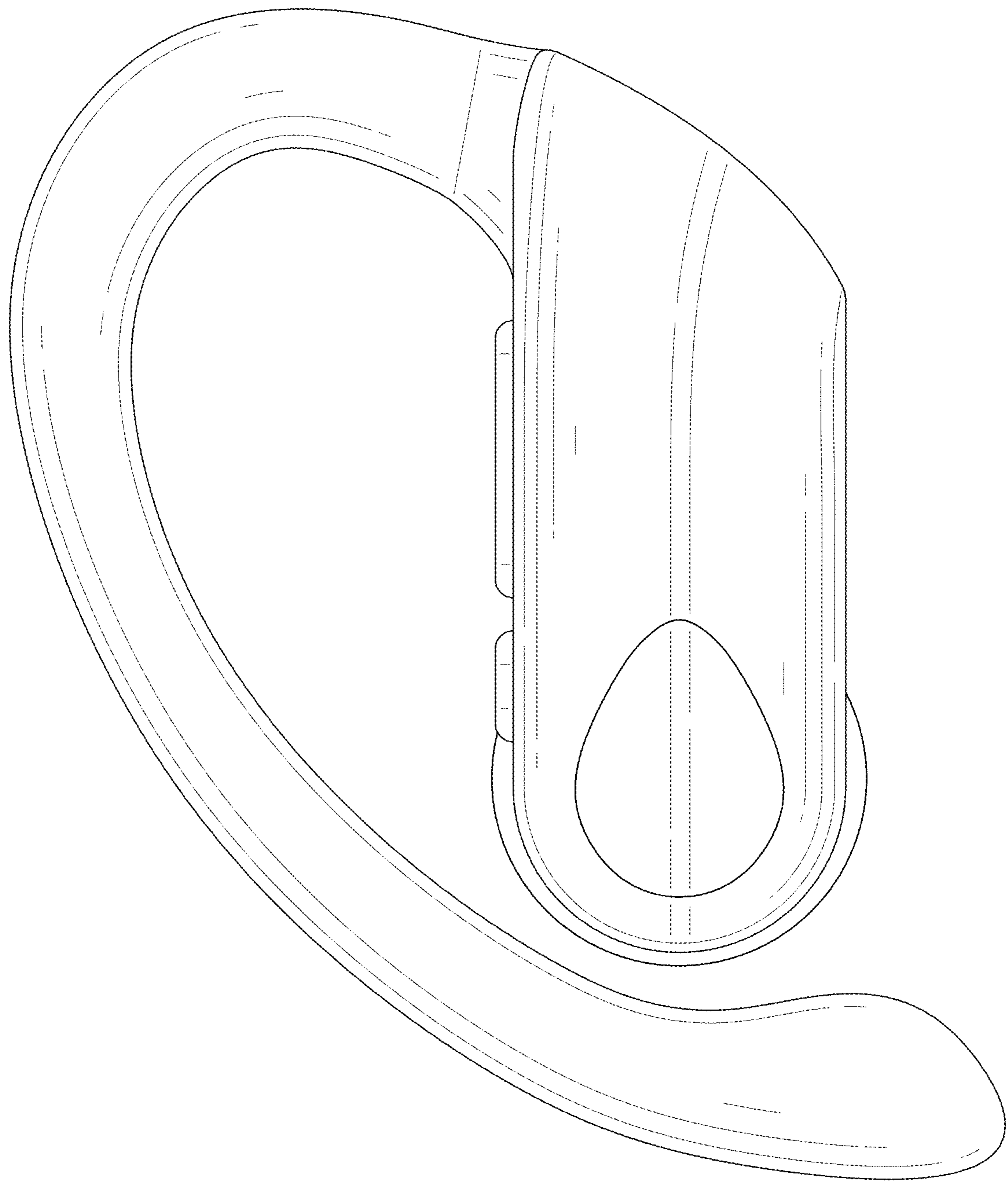


FIG. 25

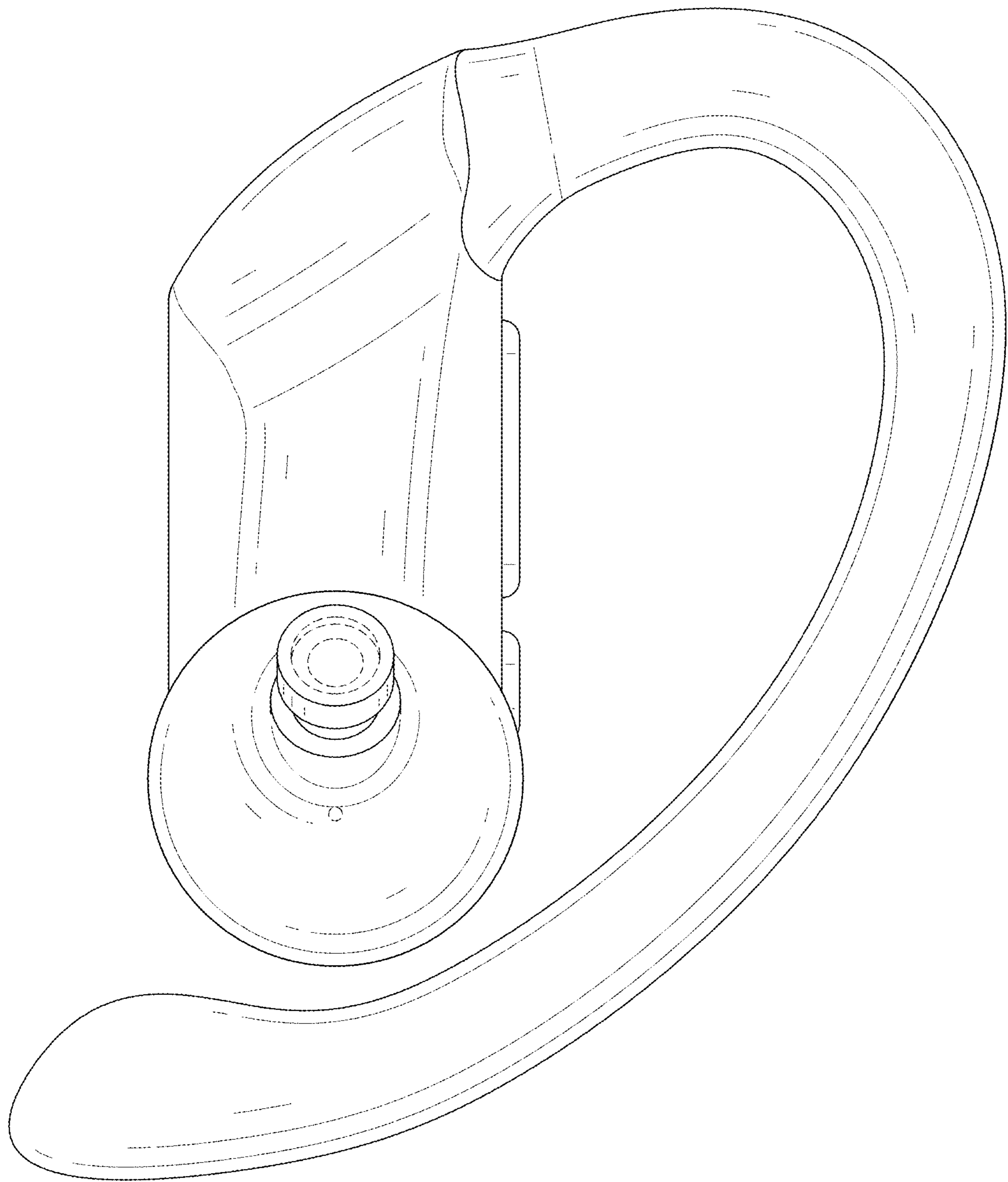


FIG. 26

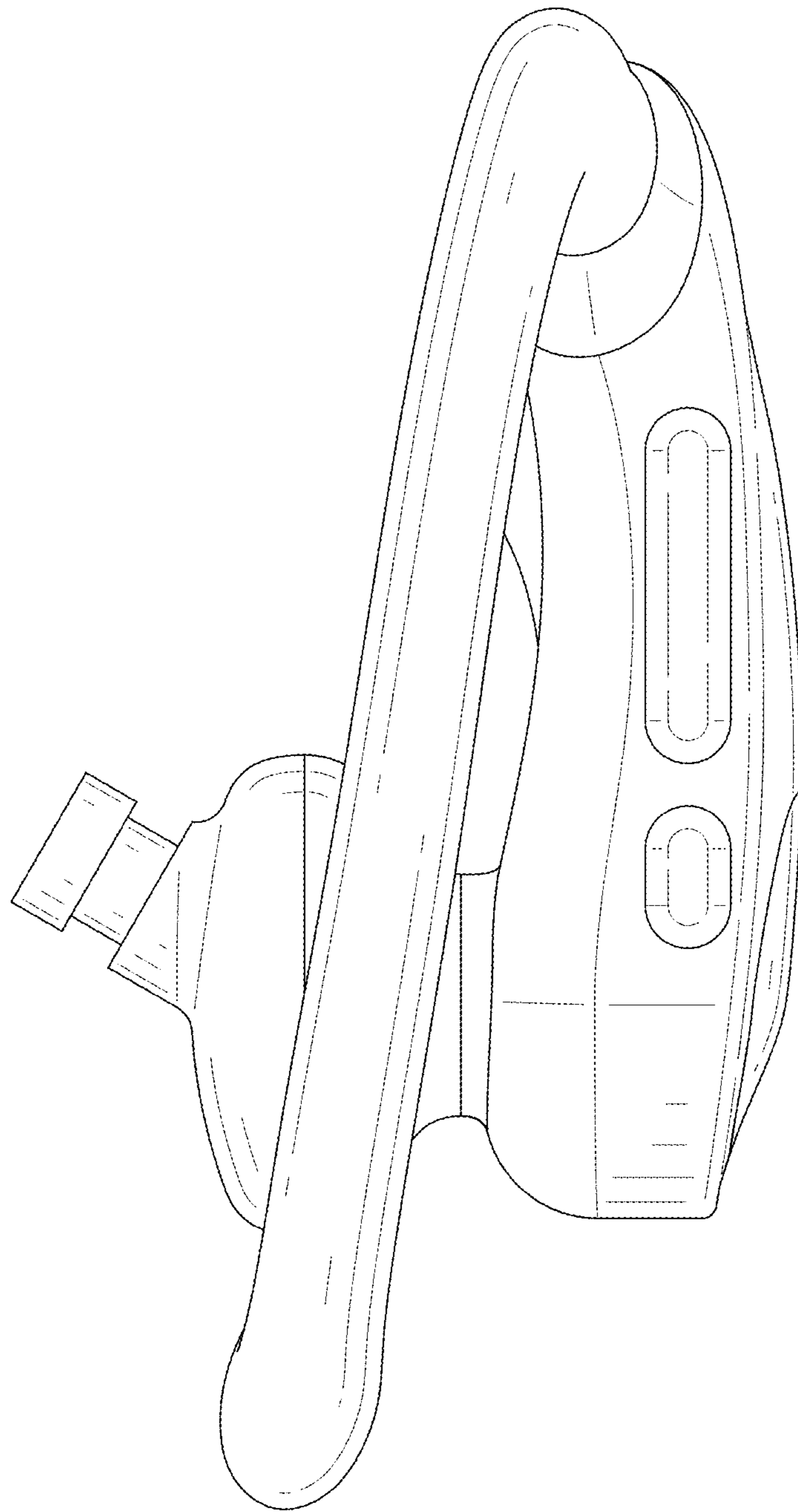


FIG. 27

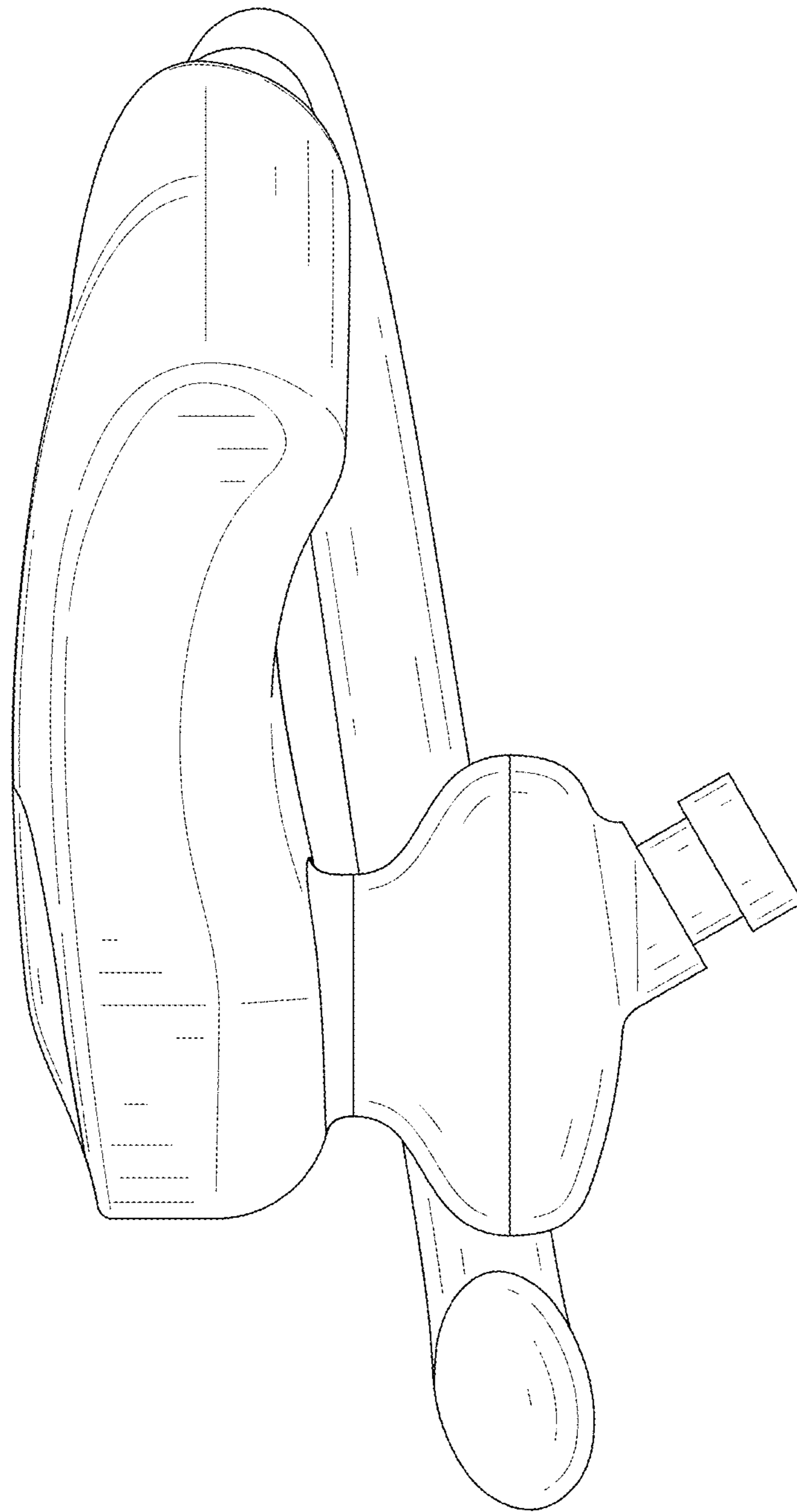


FIG. 28

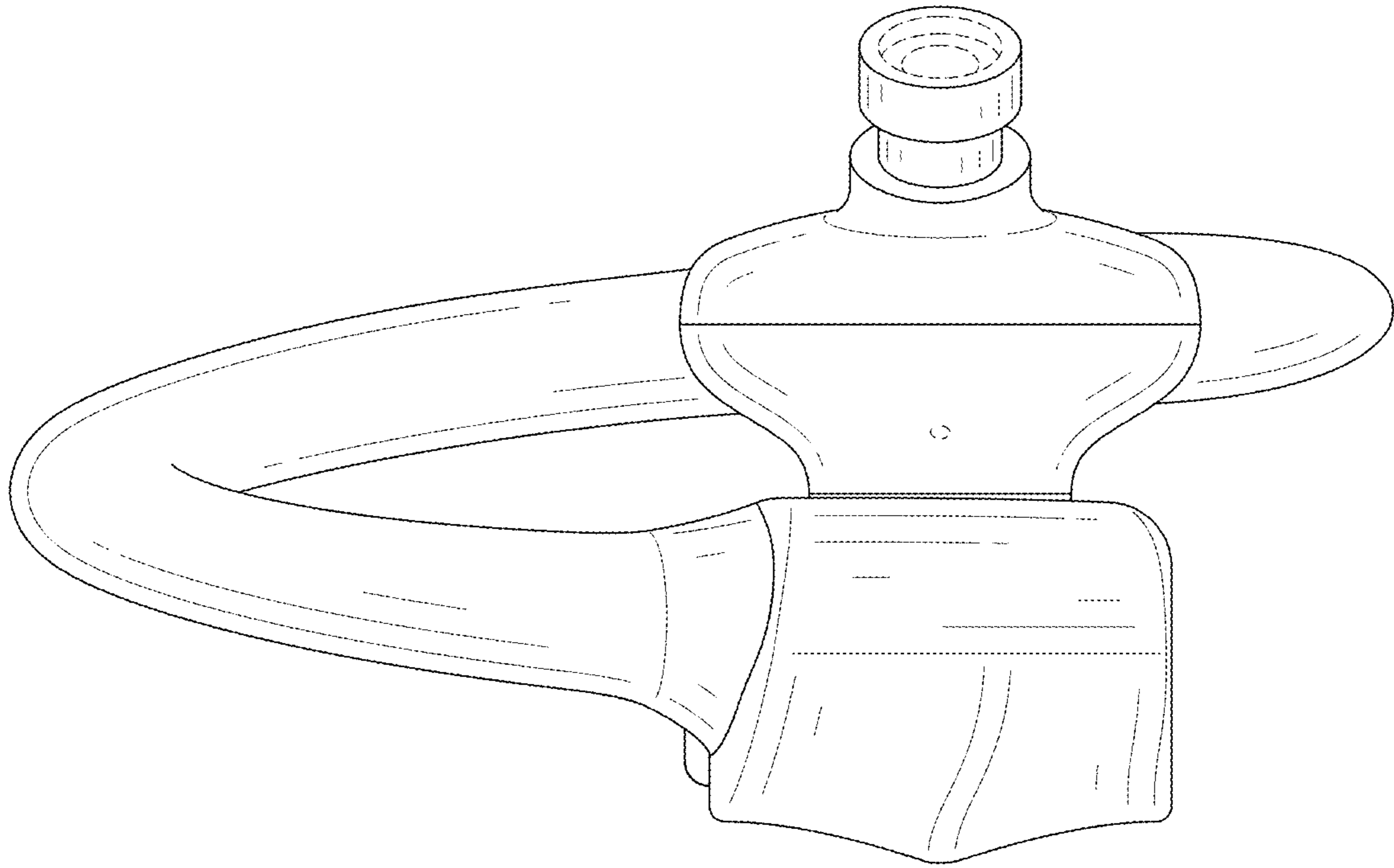


FIG. 29

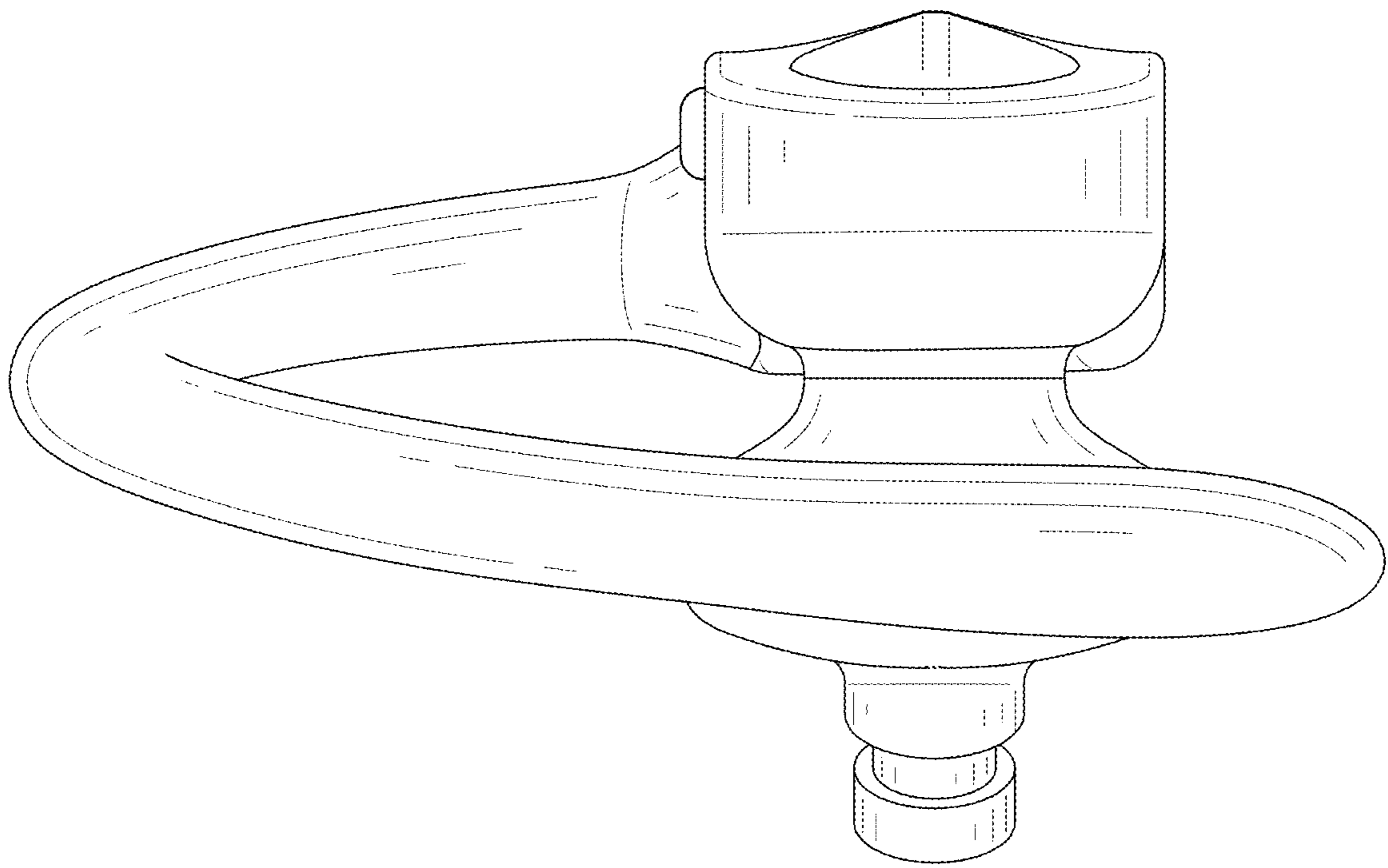


FIG. 30



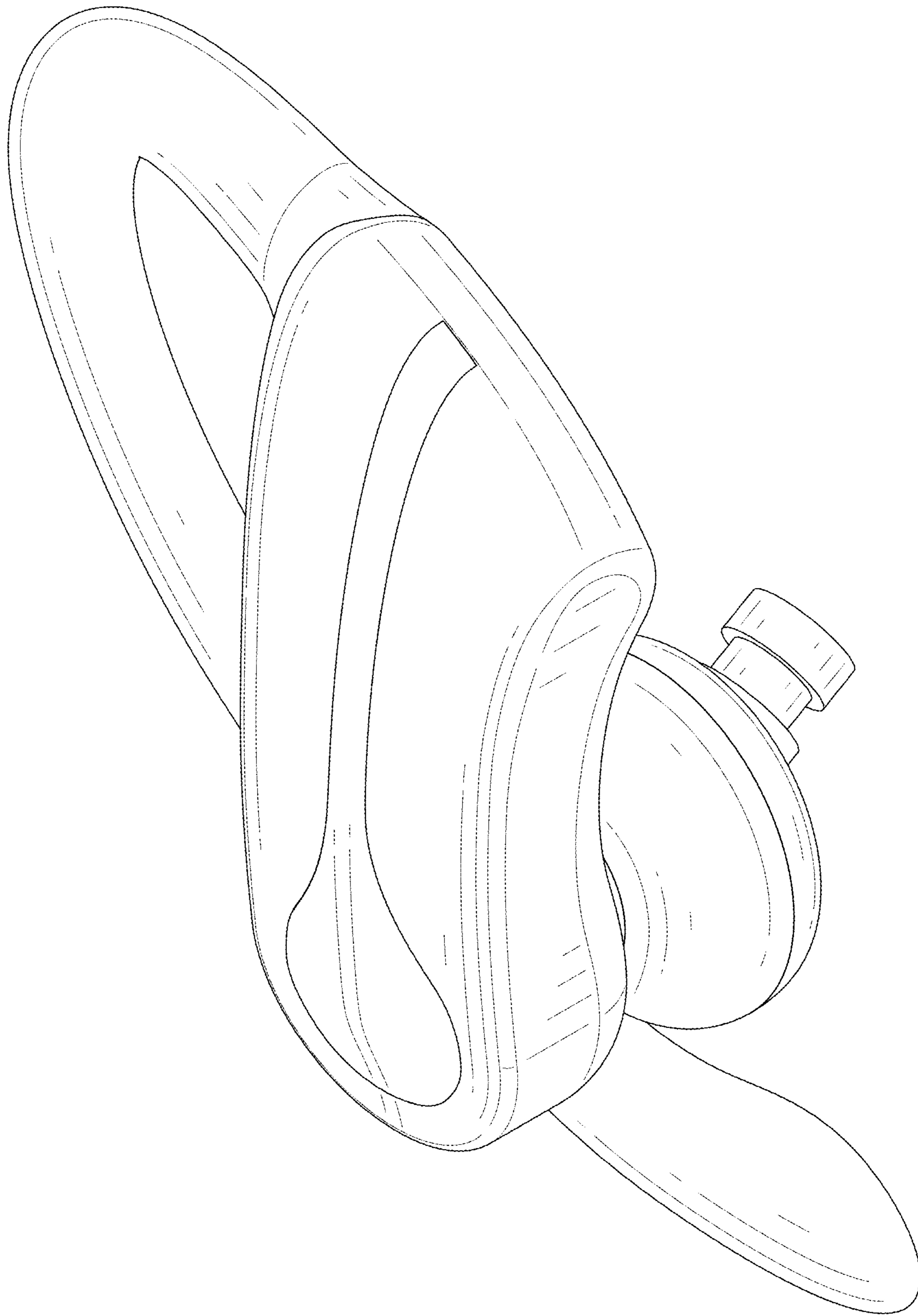


FIG. 31

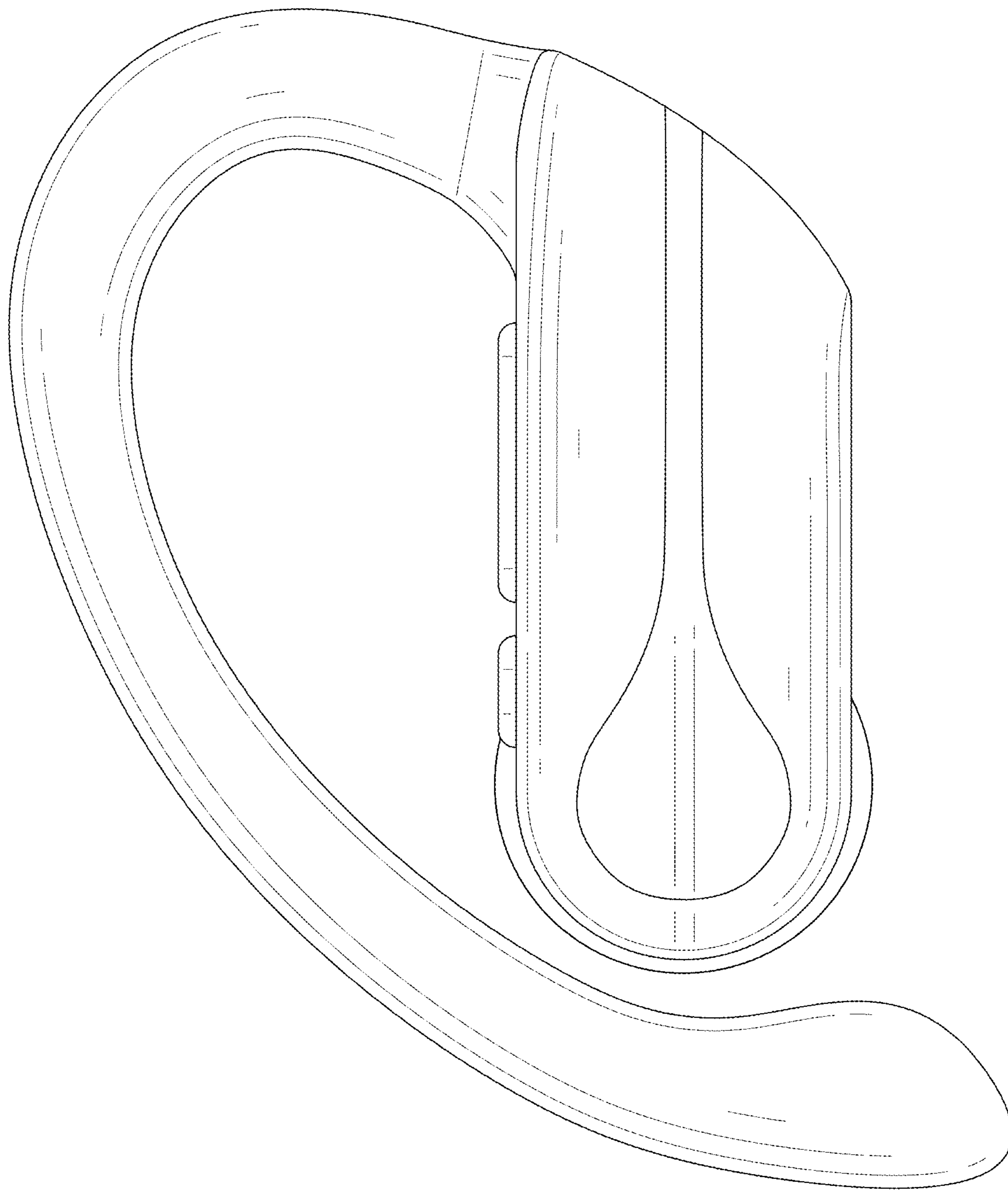


FIG. 32

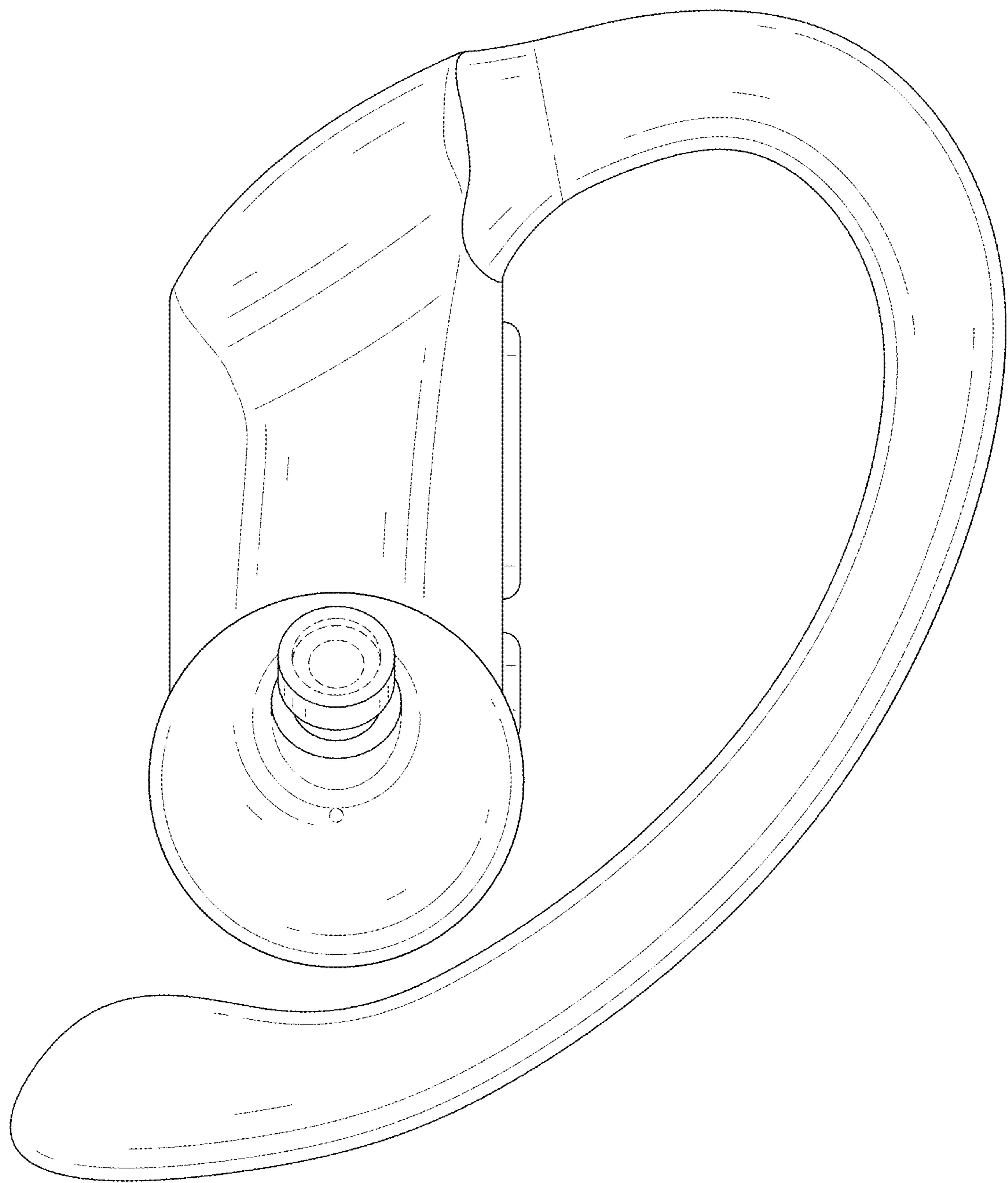


FIG. 33

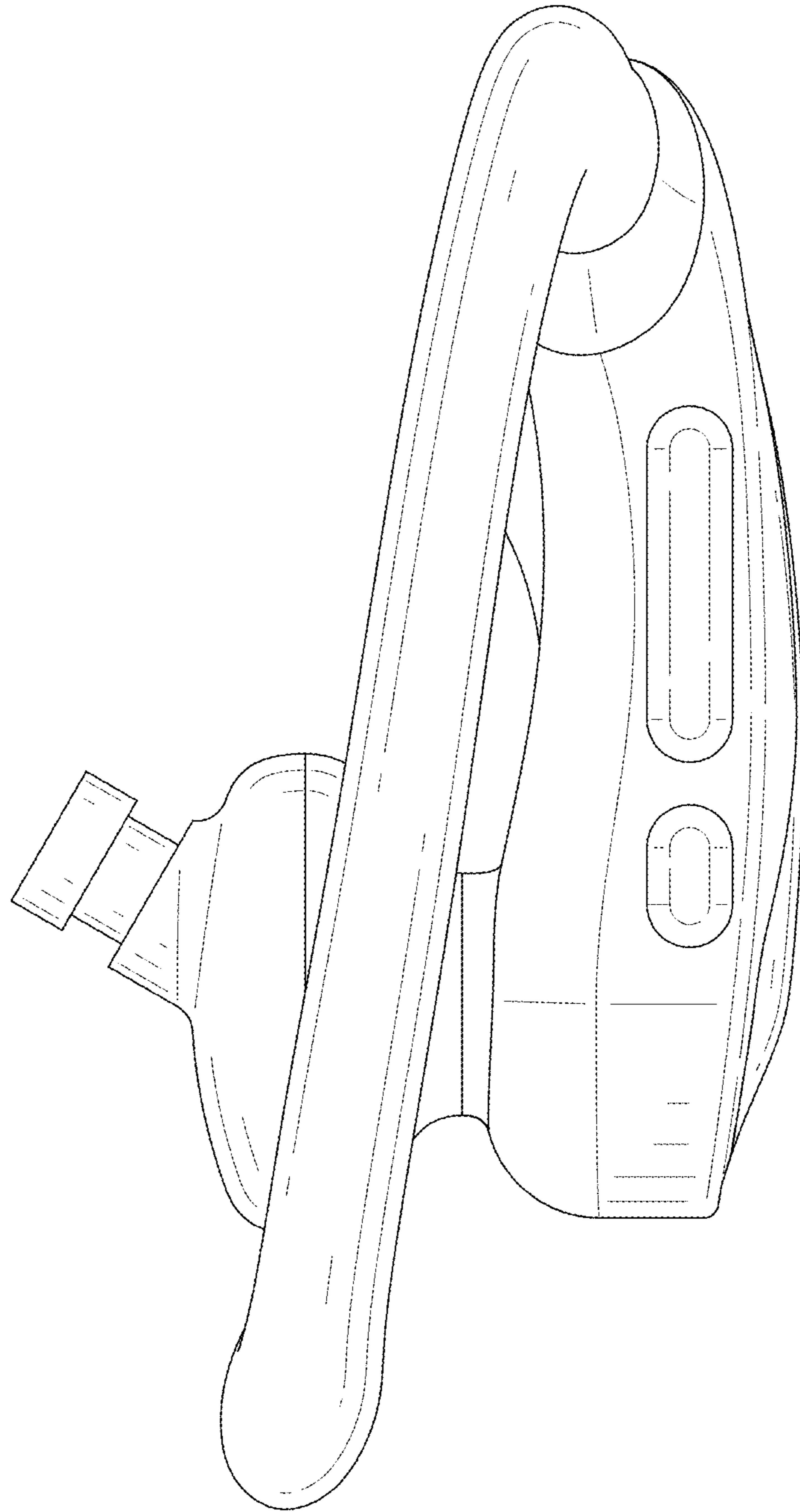


FIG. 34

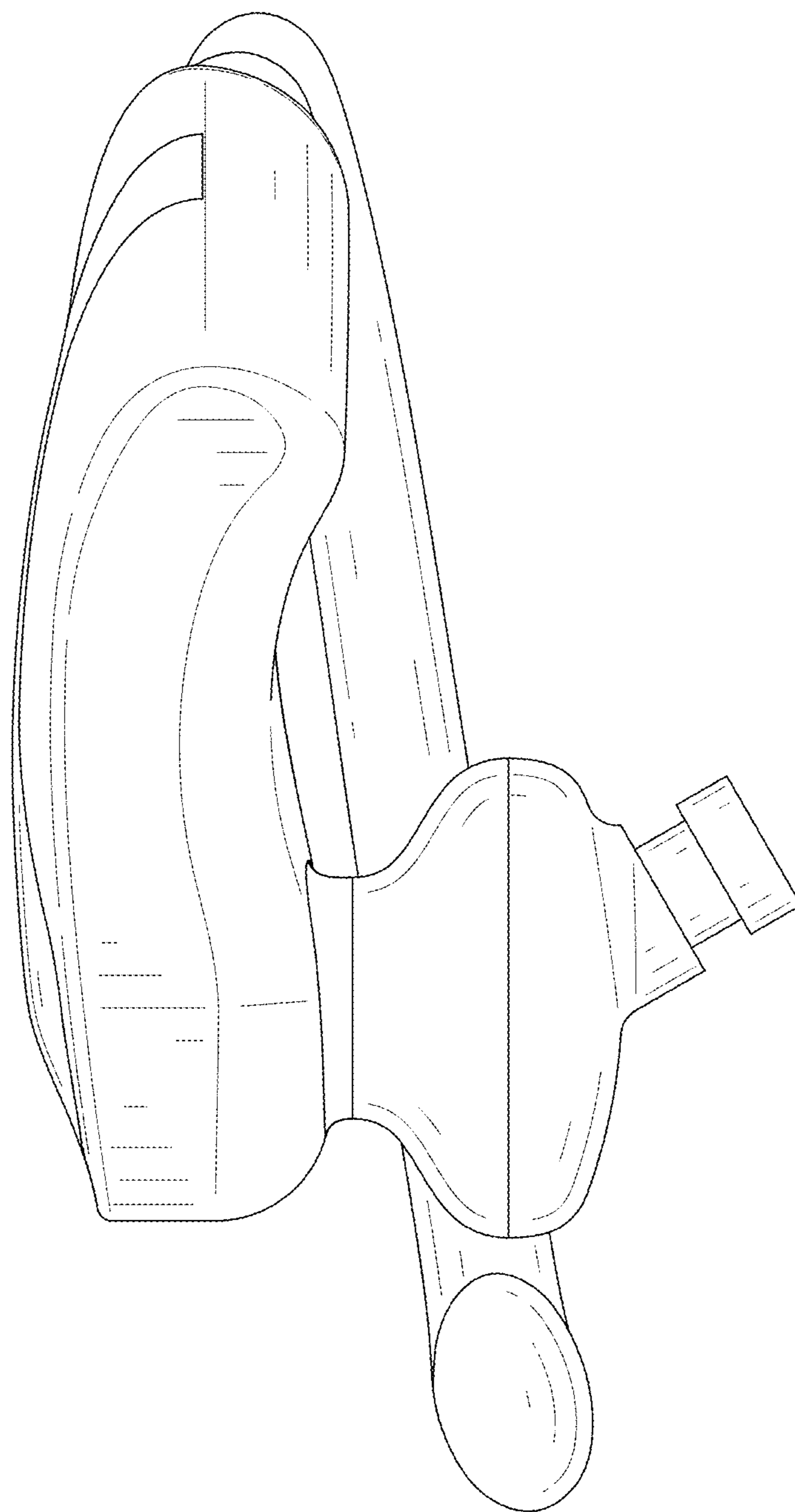


FIG. 35

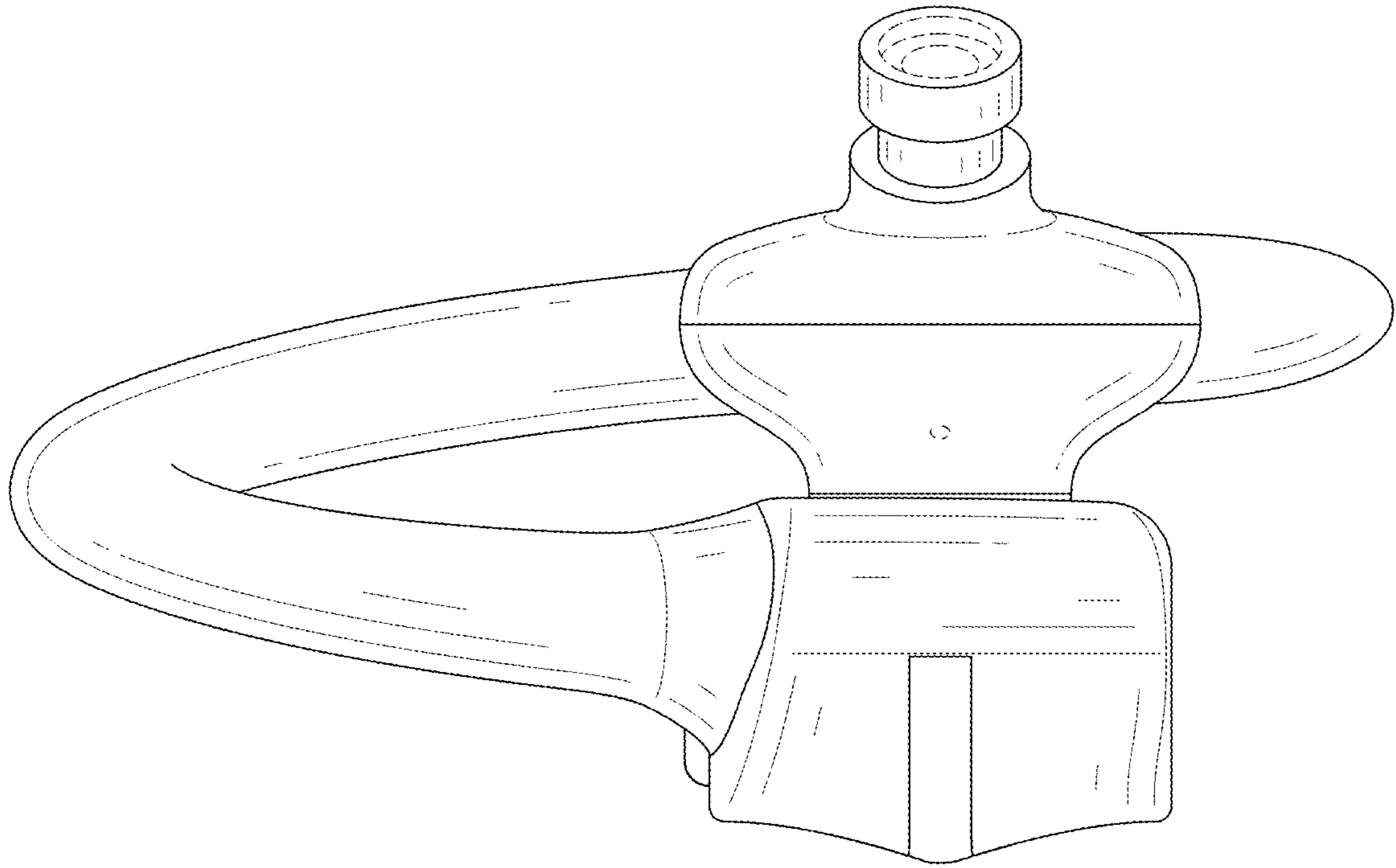


FIG. 36

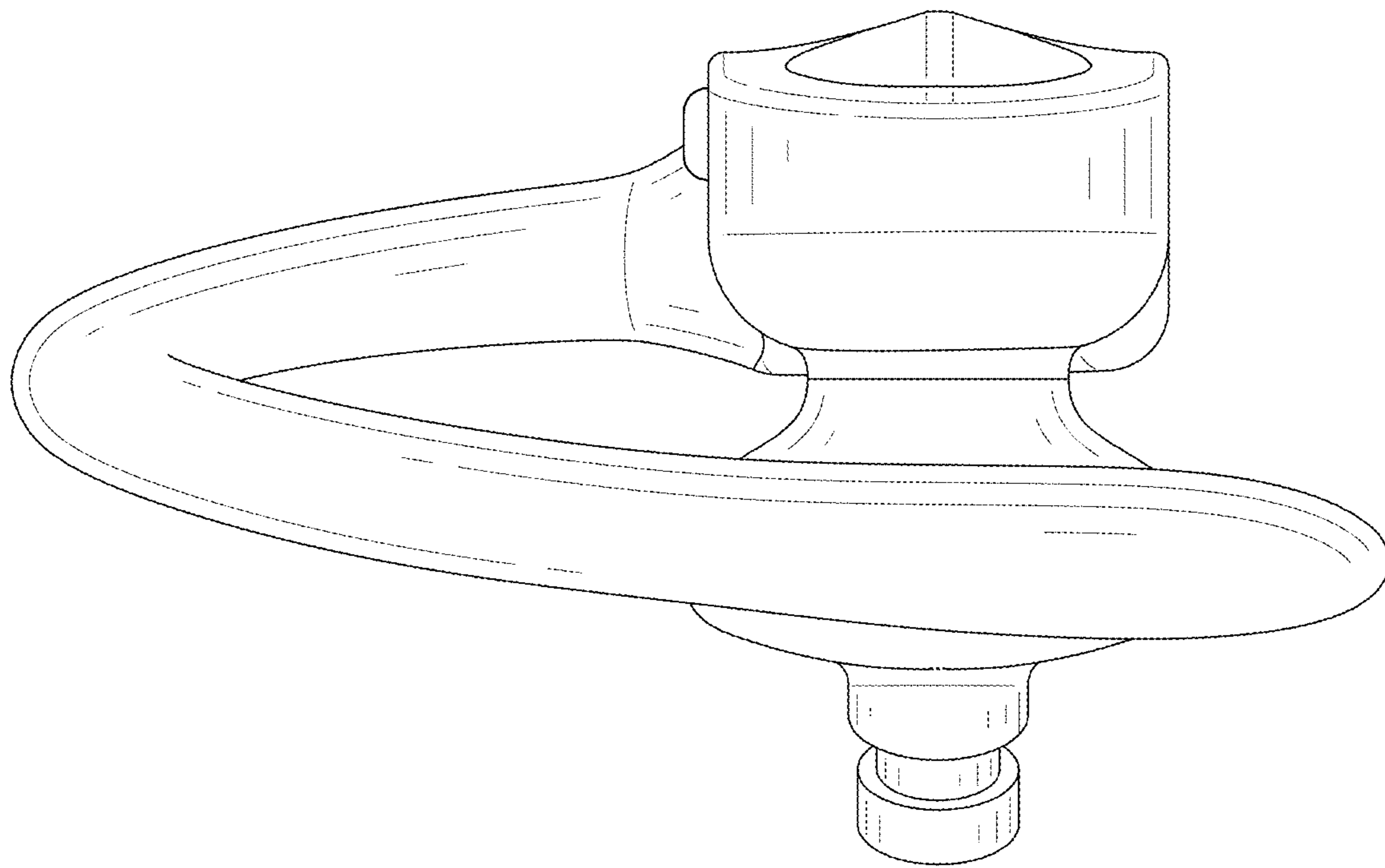


FIG. 37

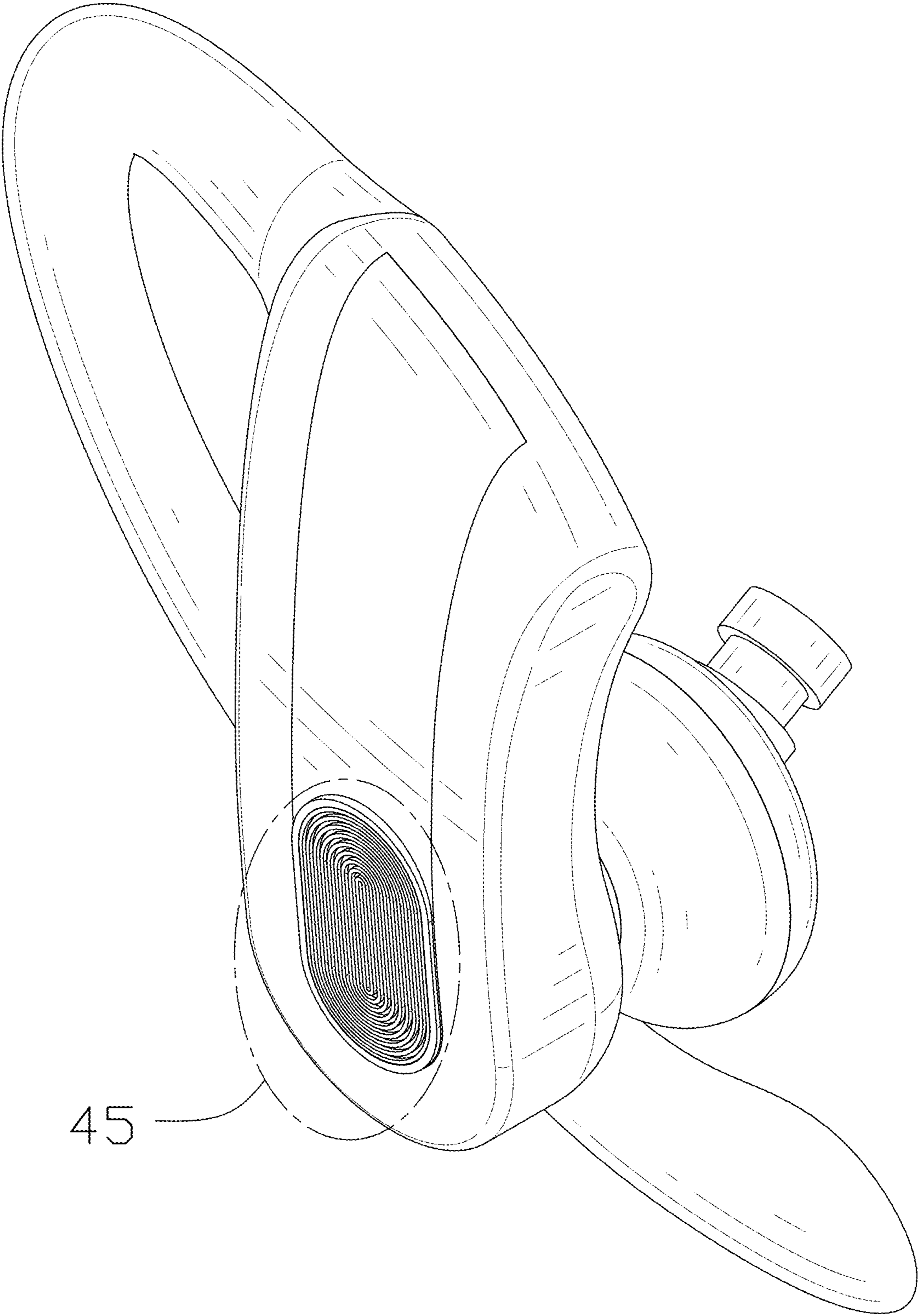


FIG. 38



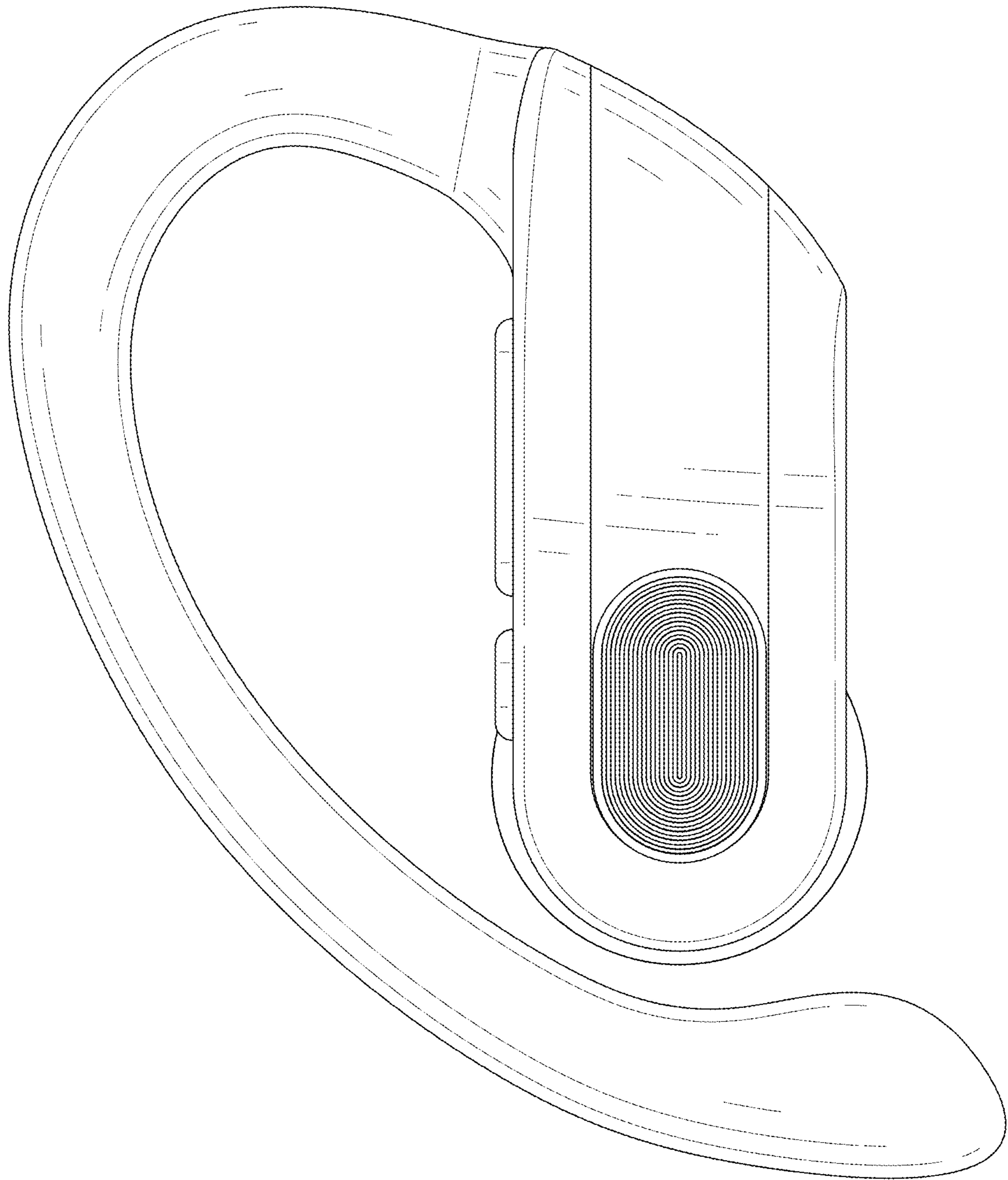


FIG. 39

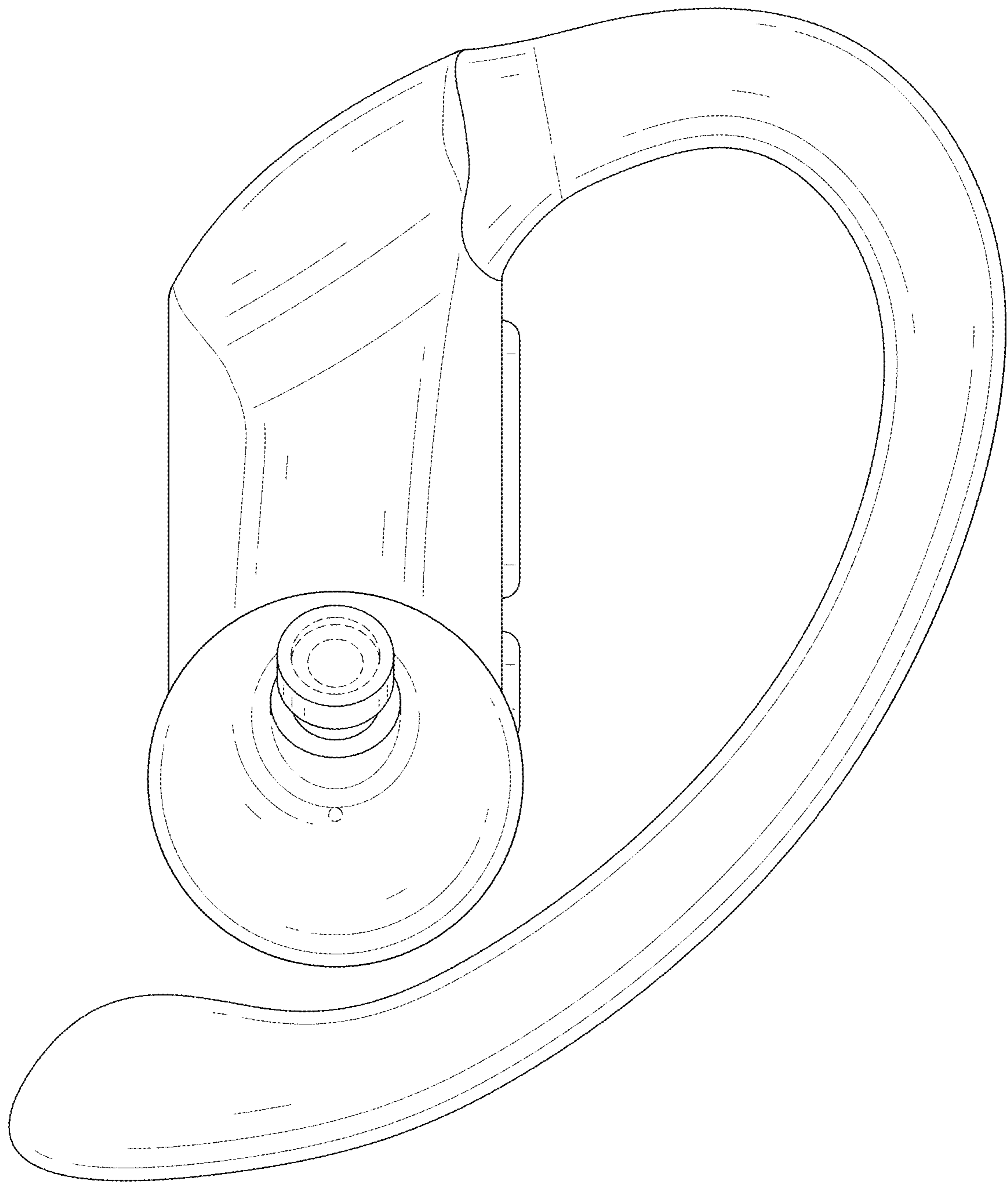


FIG. 40

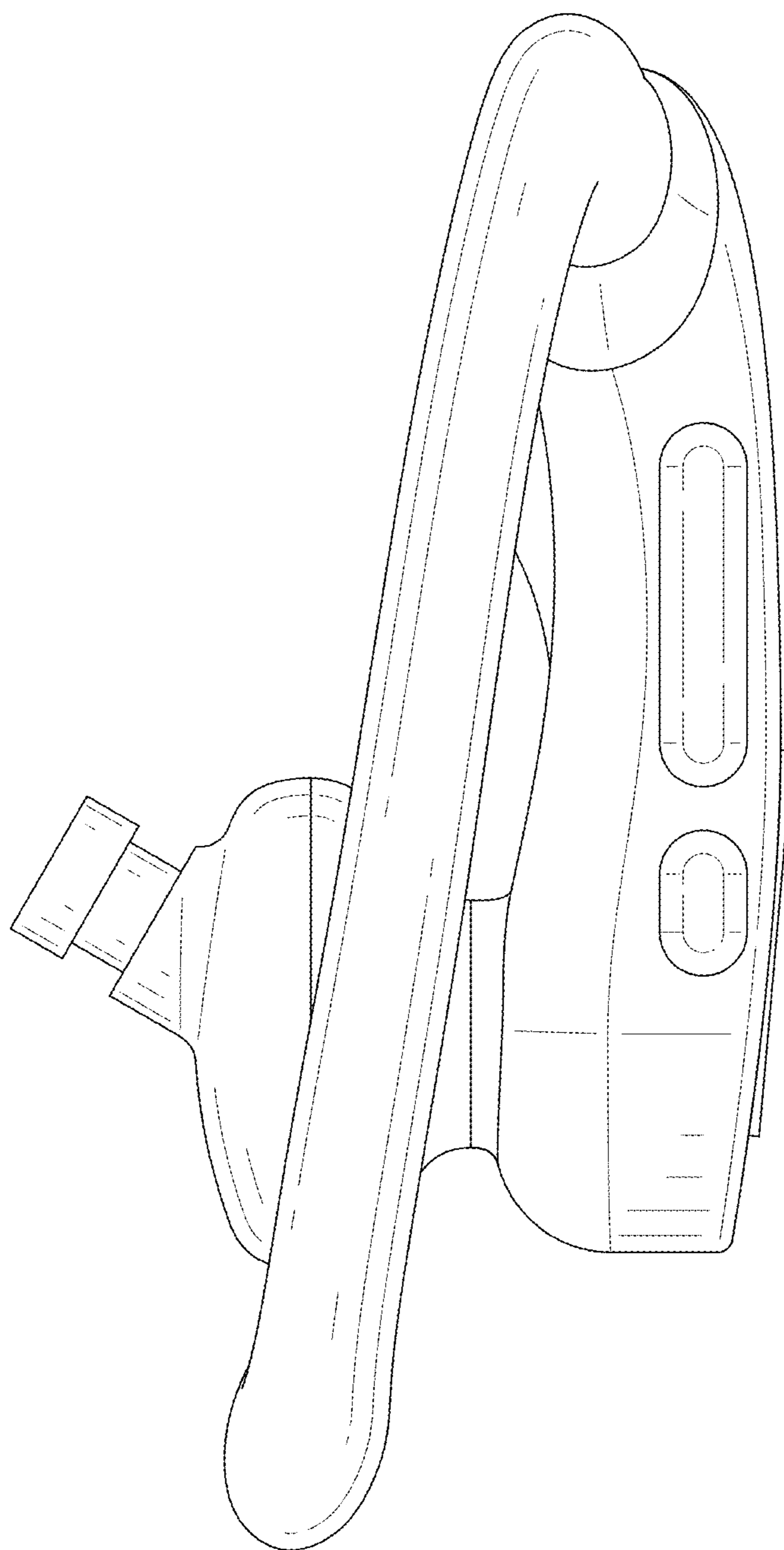


FIG. 41

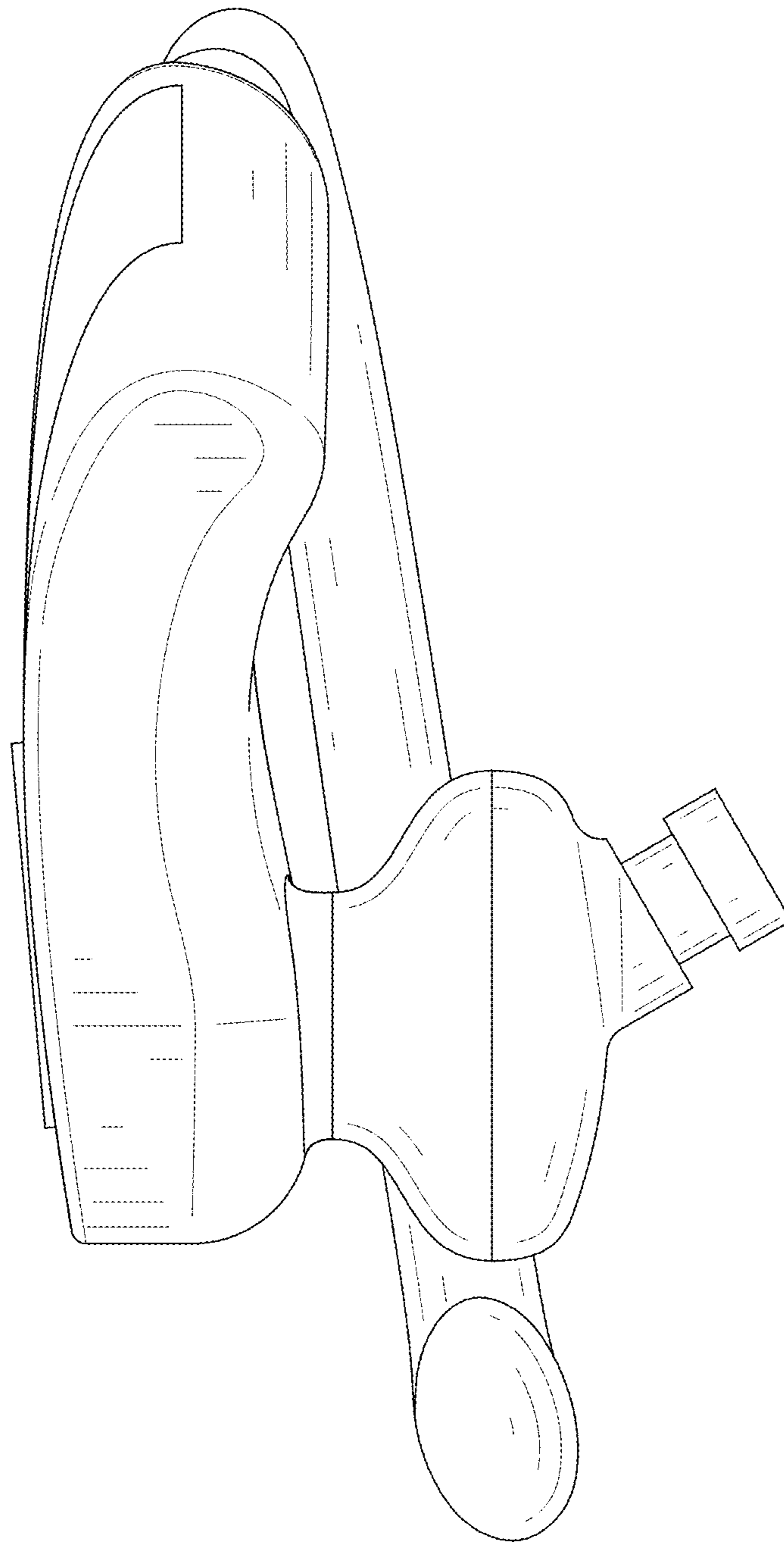


FIG. 42

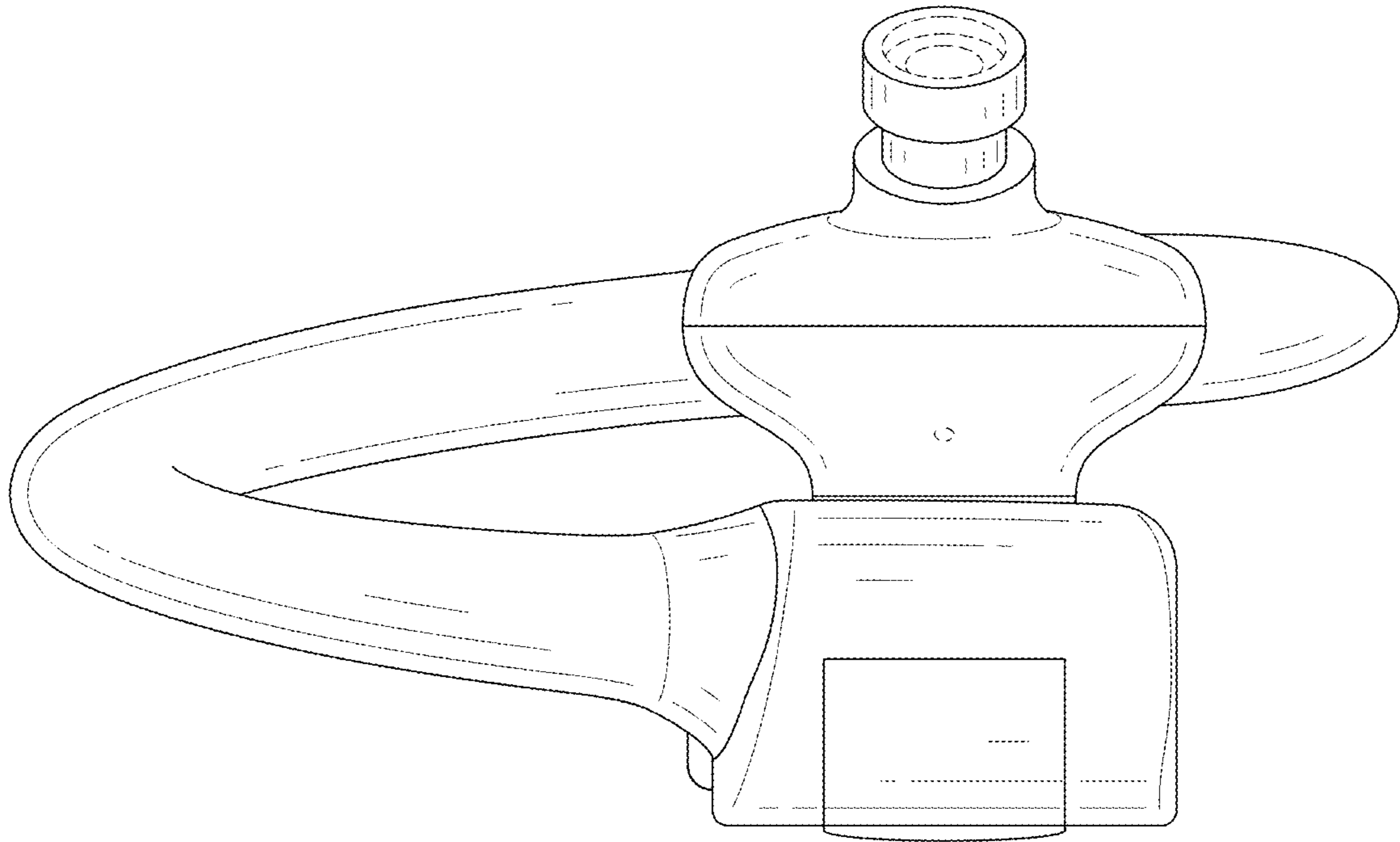


FIG. 43

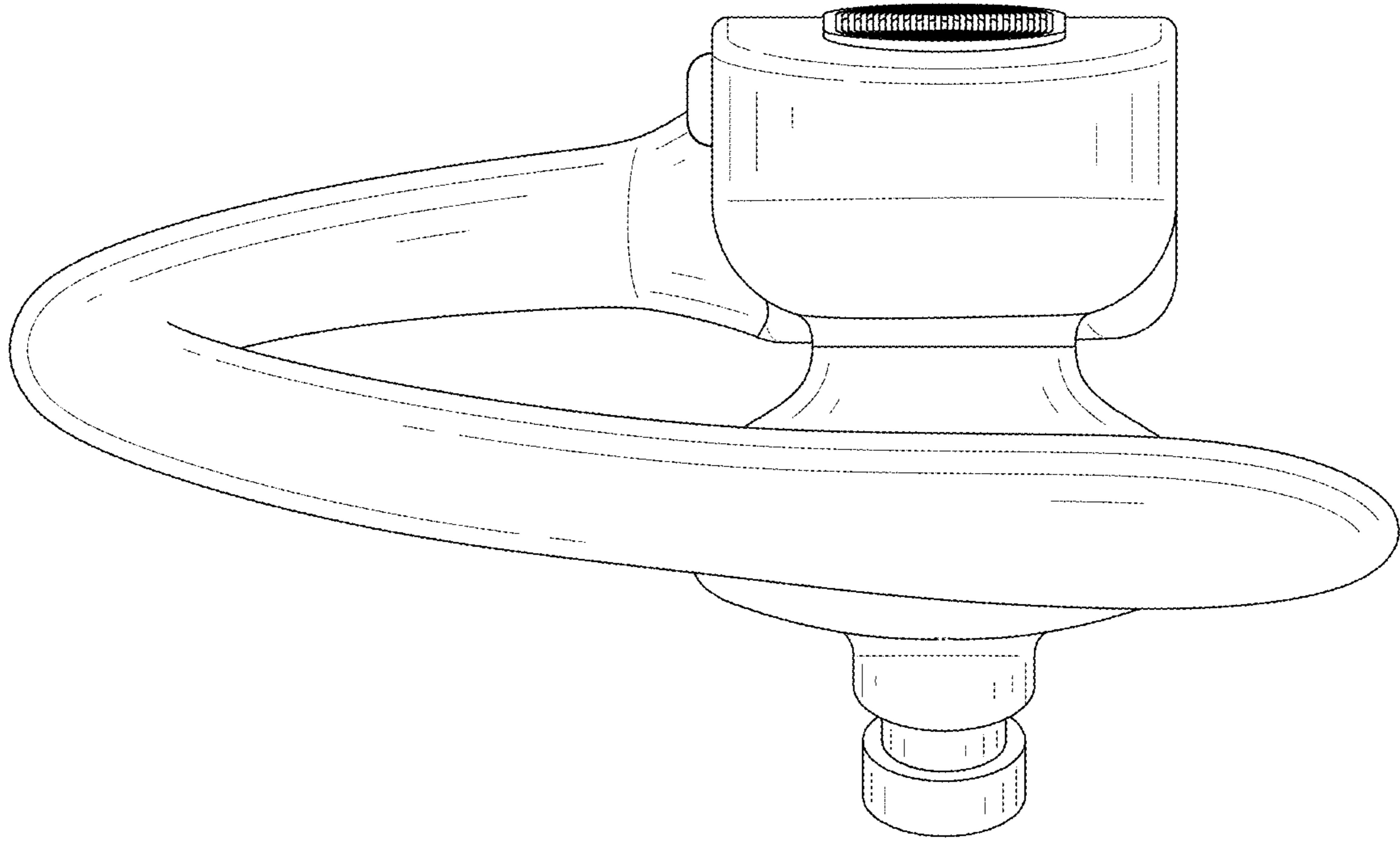


FIG. 44

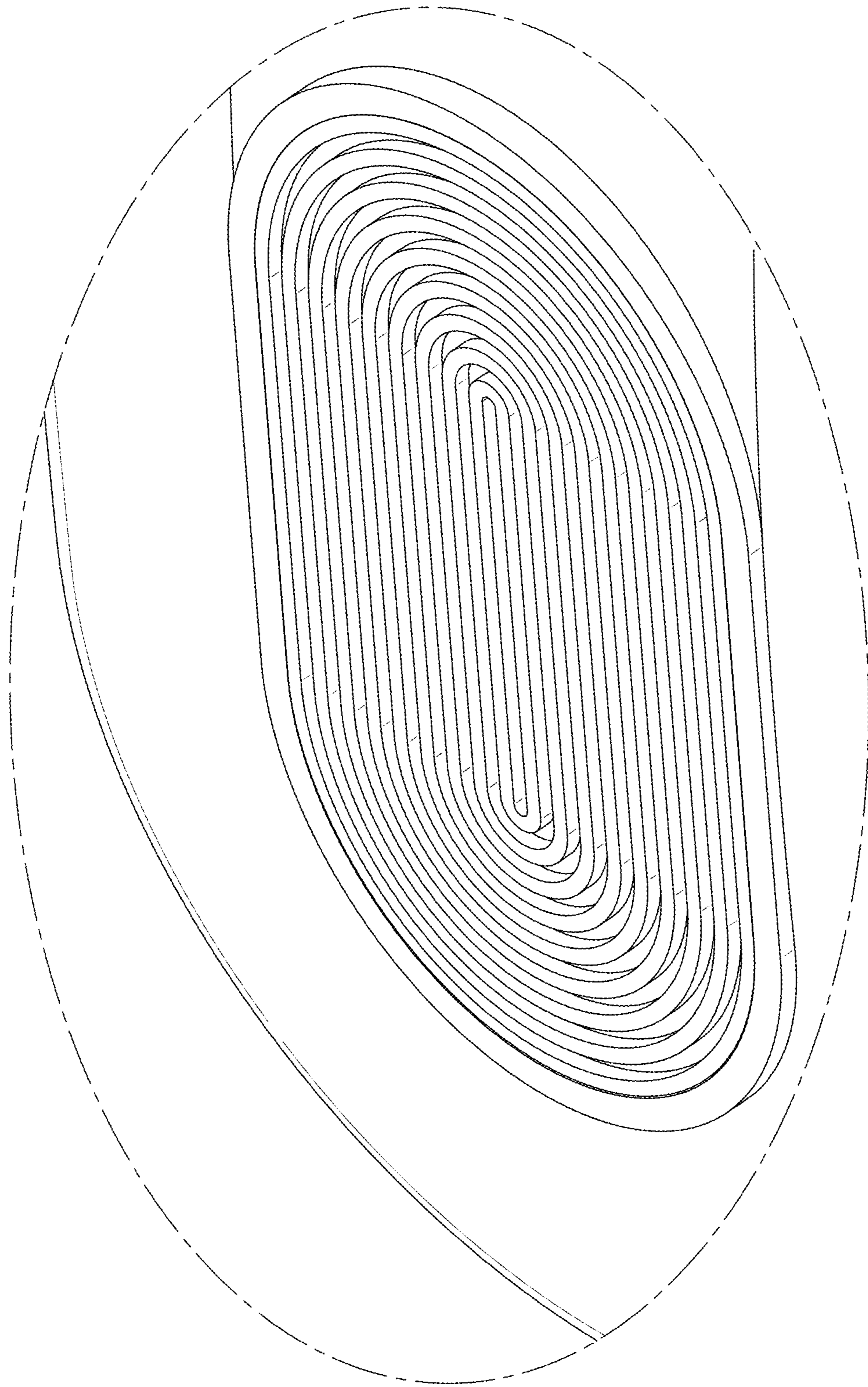


FIG. 45