



US00D902889S

(12) **United States Design Patent** (10) **Patent No.:** **US D902,889 S**
Tu (45) **Date of Patent:** **** Nov. 24, 2020**

(54) **WIRELESS REMOTE CONTROL**
(71) Applicant: **Jingkang Tu**, Guangdong (CN)
(72) Inventor: **Jingkang Tu**, Guangdong (CN)
(**) Term: **15 Years**

D803,815 S * 11/2017 Maier D14/218
D858,486 S * 9/2019 Biddle D14/218
D866,527 S * 11/2019 Maier D14/218
D872,058 S * 1/2020 Lai D14/218
D873,245 S * 1/2020 Russo D14/218
D887,393 S * 6/2020 Maier D14/218
2012/0206355 A1 * 8/2012 Maier G08C 23/04
345/160

(21) Appl. No.: **29/695,688**

* cited by examiner

(22) Filed: **Jun. 21, 2019**

Primary Examiner — John Windmuller

(51) **LOC (12) Cl.** **14-03**

(52) **U.S. Cl.**
USPC **D14/218**

(58) **Field of Classification Search**
USPC D14/218

CPC .. A47C 31/008; A61G 13/02; G07C 9/00944;
G08C 17/00; G08C 17/02; H04B 1/202;
H01H 9/02; H01H 9/0214; H01H 9/0235;
H01H 9/0242

See application file for complete search history.

(57) **CLAIM**

The ornamental design for a wireless remote control, as shown and described.

DESCRIPTION

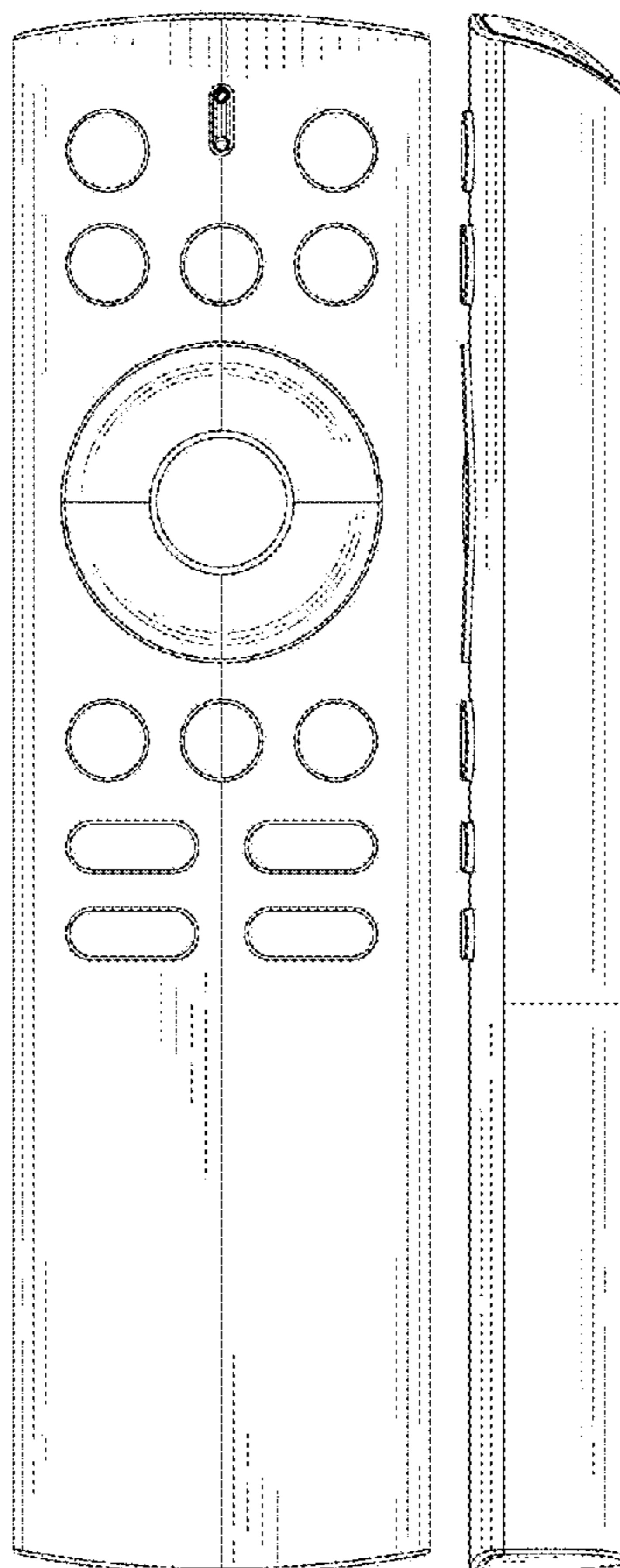
FIG. 1 is a perspective view of a wireless remote control showing my new design;
FIG. 2 is a front elevational view thereof;
FIG. 3 is a rear elevational view thereof;
FIG. 4 is a left side elevational view thereof;
FIG. 5 is a right side elevational view thereof;
FIG. 6 is a top plan view thereof;
FIG. 7 is a bottom plan view thereof; and,
FIG. 8 is a rear, left, top side perspective view thereof.

(56) **References Cited**

U.S. PATENT DOCUMENTS

D551,659 S * 9/2007 Shih D14/218
D633,478 S * 3/2011 Bolton D14/218
D658,636 S * 5/2012 Maier D14/218
D695,272 S * 12/2013 Hansen D14/218
D795,842 S * 8/2017 Cha D14/218

1 Claim, 8 Drawing Sheets



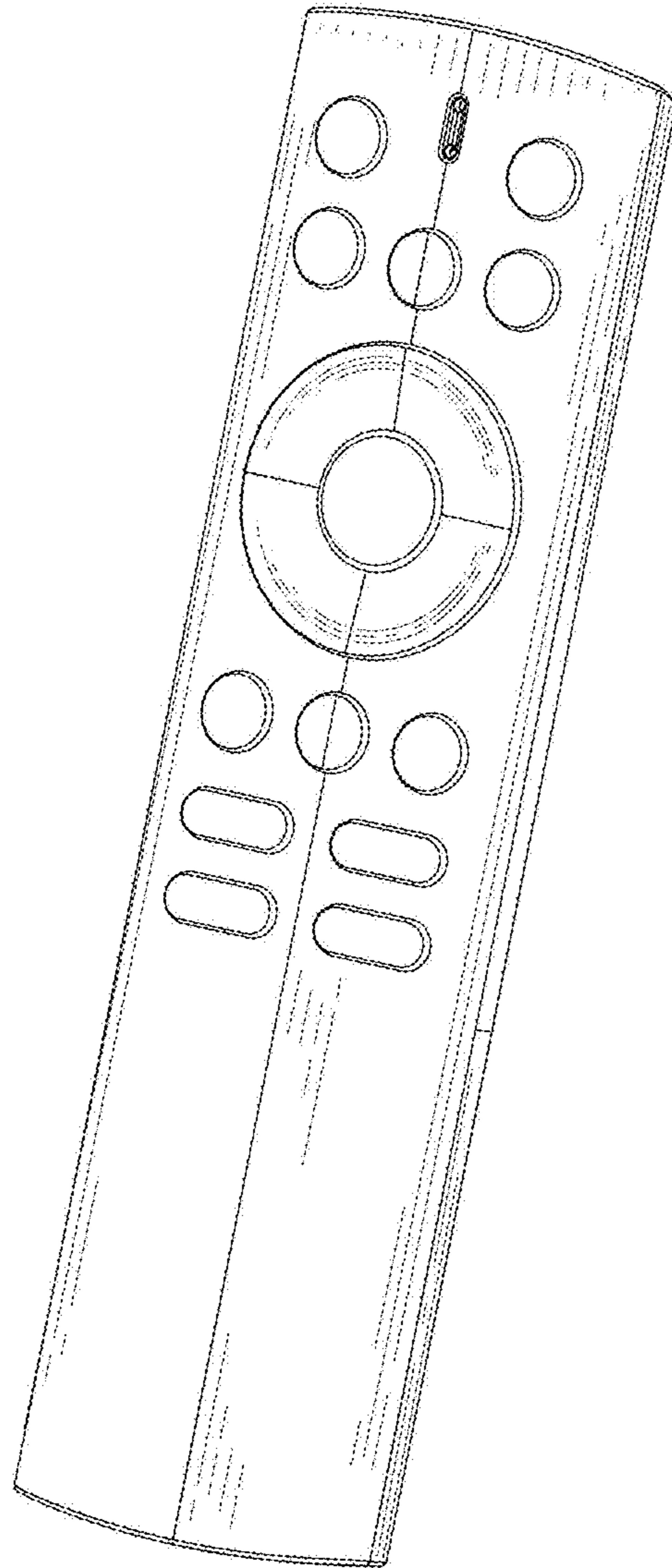


FIG. 1

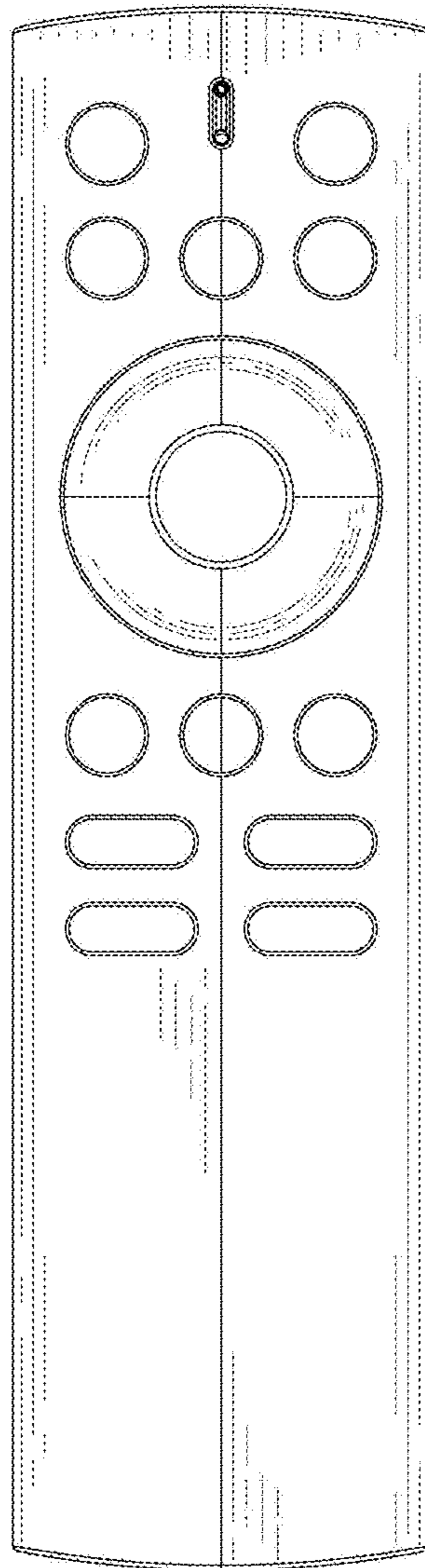


FIG. 2

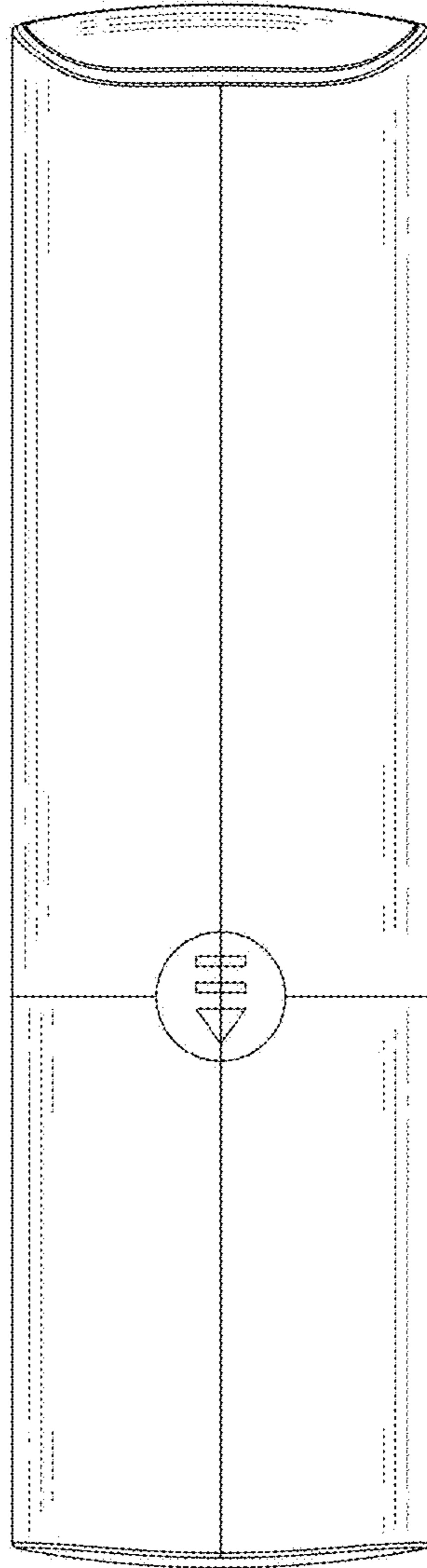


FIG. 3

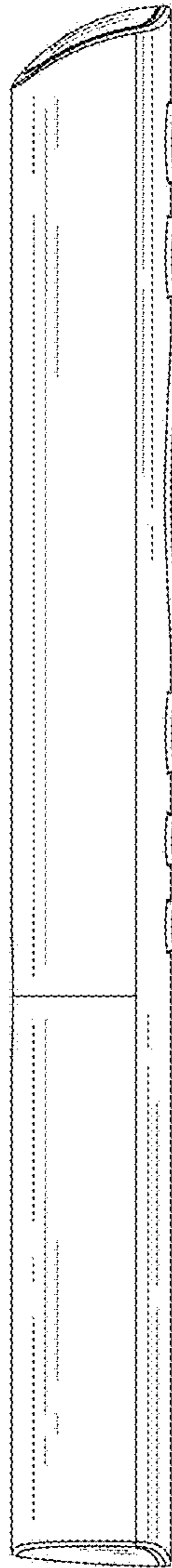


FIG. 4

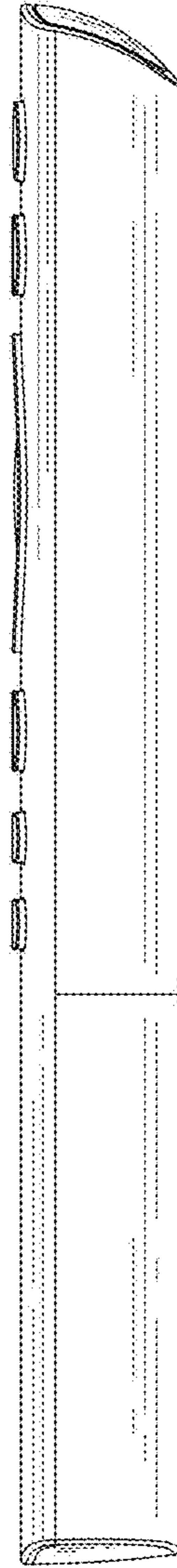


FIG. 5

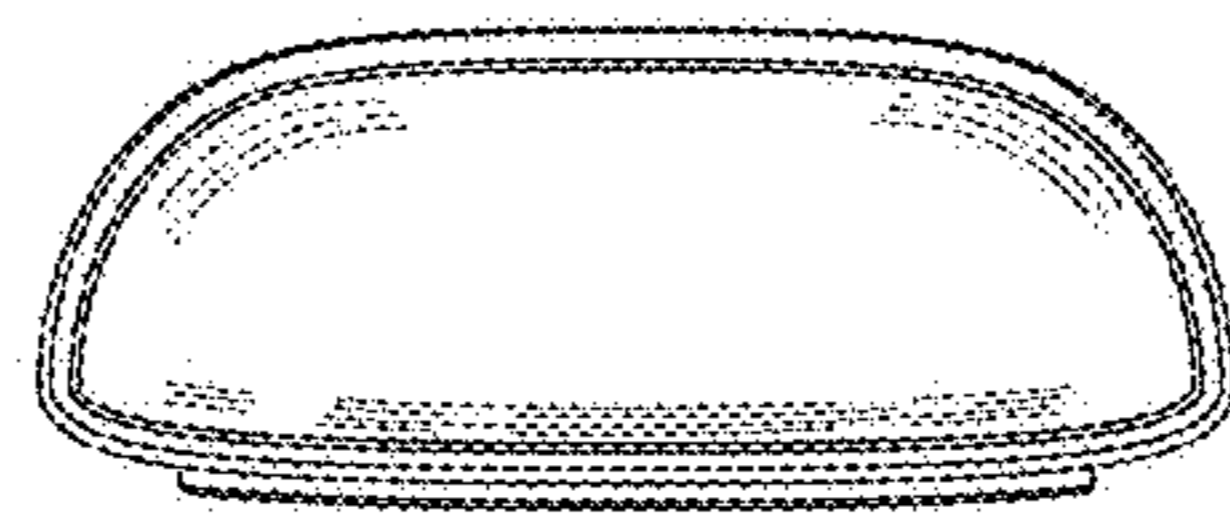


FIG. 6

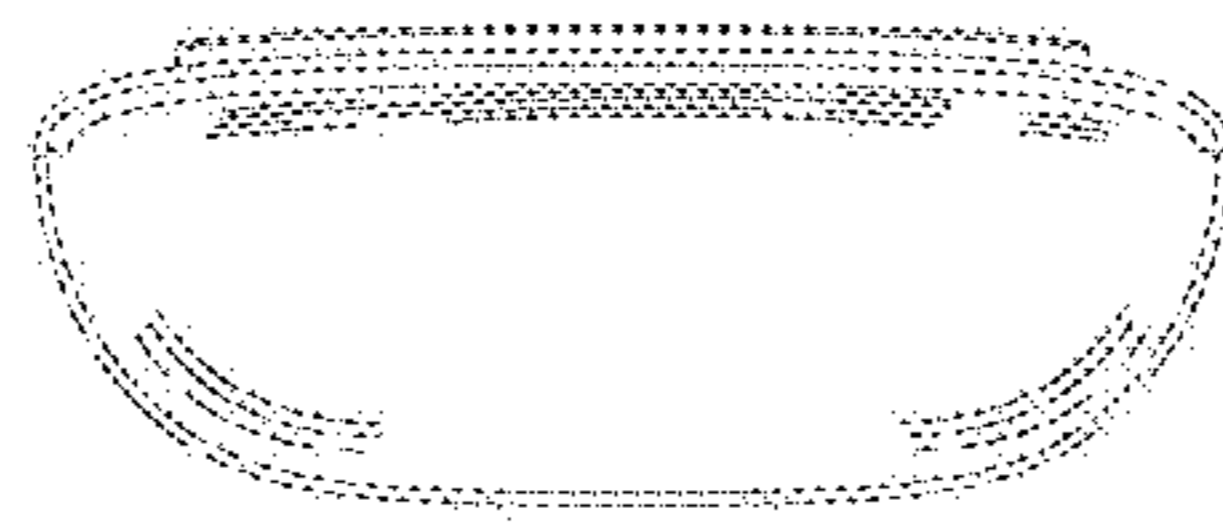


FIG. 7

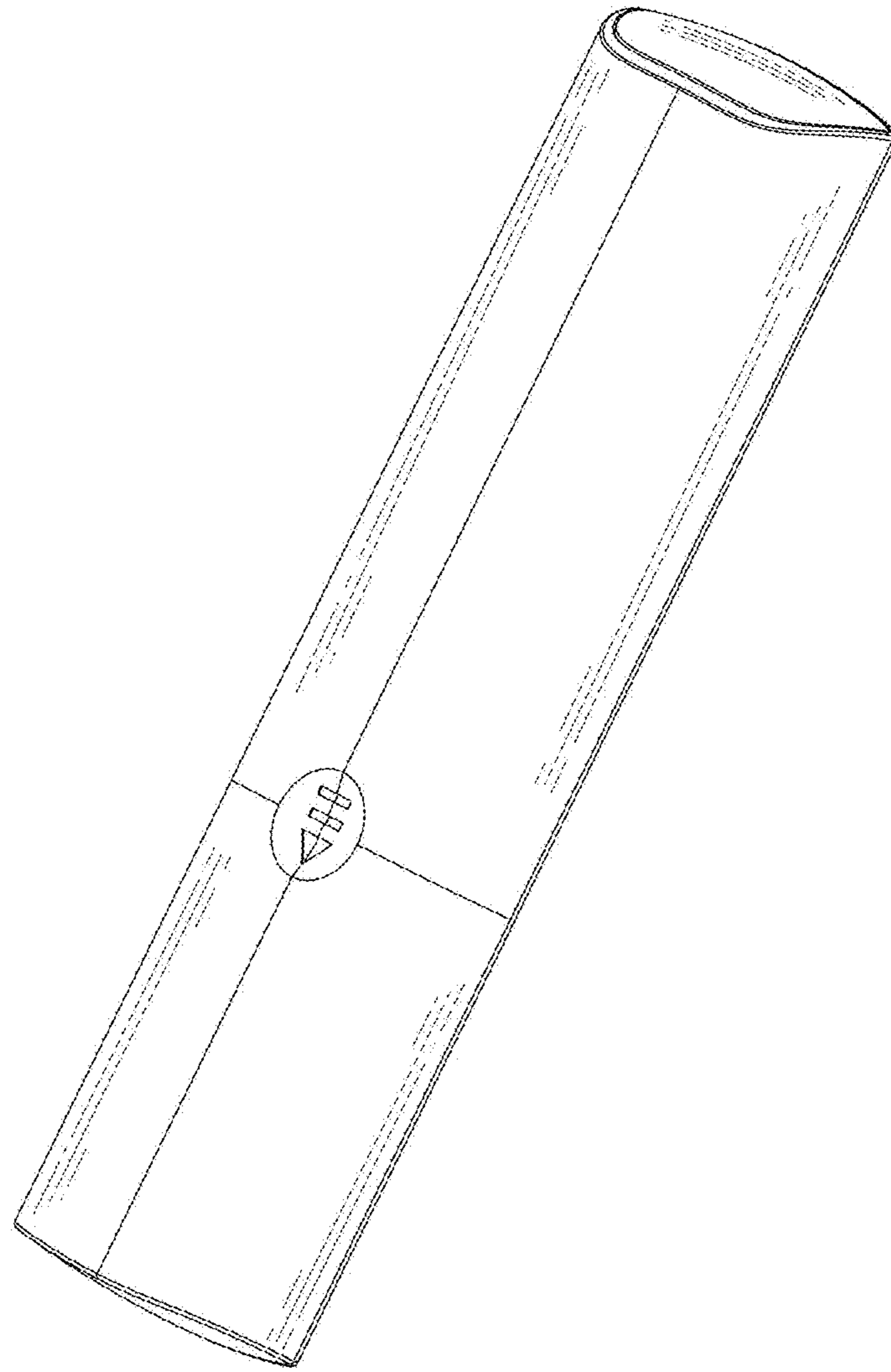


FIG. 8