



US00D902884S

(12) **United States Design Patent**
Wang

(10) **Patent No.:** **US D902,884 S**

(45) **Date of Patent:** **** Nov. 24, 2020**

(54) **PORTABLE BLUETOOTH SPEAKER**

(71) Applicant: **Shenzhen Earfun Technology Co., Ltd.**, Shenzhen (CN)

(72) Inventor: **Zili Wang**, Shenzhen (CN)

(73) Assignee: **Shenzhen Earfun Technology Co., Ltd.**, Shenzhen (CN)

(**) Term: **15 Years**

(21) Appl. No.: **29/684,614**

(22) Filed: **Mar. 22, 2019**

(30) **Foreign Application Priority Data**

Jan. 29, 2019 (CN) 2019 3 0049834

(51) **LOC (12) Cl.** **14-01**

(52) **U.S. Cl.**
USPC **D14/204; D14/216**

(58) **Field of Classification Search**
USPC D14/204, 205, 216, 221, 223, 215
CPC H04R 1/025; H04R 1/026; H04R 1/26;
H04R 1/2888; H04R 1/403
See application file for complete search history.

(56) **References Cited**

U.S. PATENT DOCUMENTS

3,225,805 A *	12/1965	Wise	A45C 3/00
				150/118
D723,514 S *	3/2015	Lukic	D14/213
D786,829 S *	5/2017	Wang	D14/204
D808,928 S *	1/2018	Schaal	D14/216
D813,210 S *	3/2018	Benedetti	D14/230
D834,001 S *	11/2018	Jeon	D14/216
D835,600 S *	12/2018	Weiss	D14/204

(Continued)

FOREIGN PATENT DOCUMENTS

CN	201530387747	*	3/2016
CN	201730399825	*	2/2018

(Continued)

OTHER PUBLICATIONS

Bluetooth Speaker EarFun, (c) 2019 [online], [retrieved Jun. 17, 2020], Retrieved from internet, URL: <https://www.amazon.com/Bluetooth-EarFun-Portable-Wireless-Waterproof/dp/B07SGXBR2H/ref=asc_df_B07SGXBR2H/?tag=hyprod-20&linkCode=%E2%80%A6> (Year: 2019).*

(Continued)

Primary Examiner — Barbara Fox

Assistant Examiner — Aram Kwon

(74) *Attorney, Agent, or Firm* — ScienBiziP, P.C.

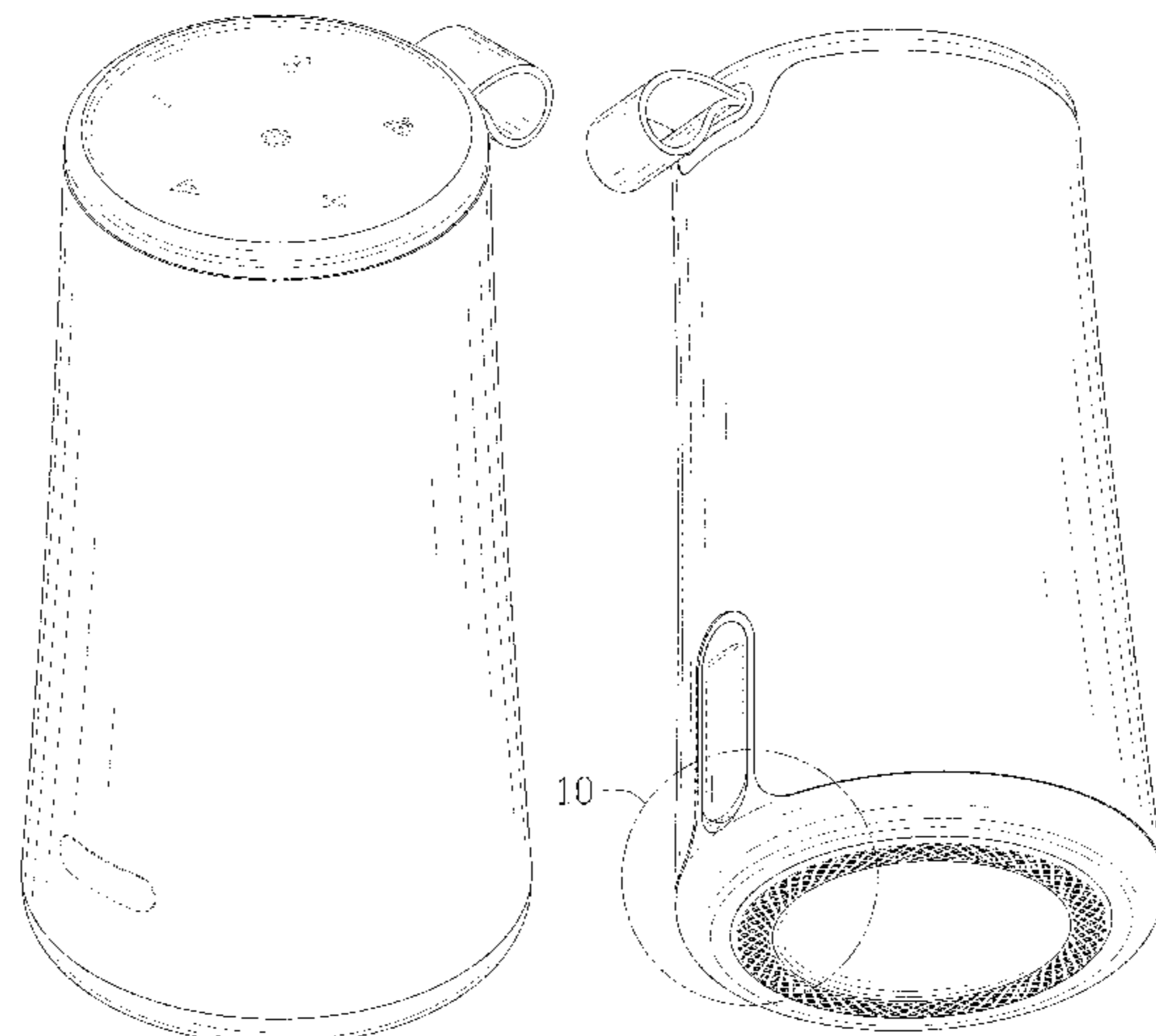
(57) **CLAIM**

The ornamental design for a portable bluetooth speaker, as shown and described.

DESCRIPTION

FIG. 1 is a first perspective view of a portable bluetooth speaker showing my design;
FIG. 2 is a second perspective view thereof;
FIG. 3 is a front elevational view thereof;
FIG. 4 is a rear elevational view thereof;
FIG. 5 is a left side elevational view thereof;
FIG. 6 is a right side elevational view thereof;
FIG. 7 is a top plan view thereof;
FIG. 8 is a bottom plan view thereof;
FIG. 9 is a cross-sectional view of the portable bluetooth speaker taken in the direction of line 9-9 shown in FIG. 7; and,
FIG. 10 is an enlarged view of design features comprised within a circle 10 in FIG. 2.
The evenly dashed lines shown in the drawings depict portions of the portable bluetooth speaker that form no part of the claimed design. The dash-dot lines encircling enlargement portions of the claimed design form no part of the claimed design.

1 Claim, 10 Drawing Sheets



(56)

References Cited

U.S. PATENT DOCUMENTS

D836,602 S * 12/2018 Huang D14/210
 D849,095 S * 5/2019 Puric D16/203
 D853,990 S * 7/2019 Eriksen D14/216
 D884,676 S * 5/2020 He D14/216
 D886,772 S * 6/2020 Xiong D14/204
 D886,775 S * 6/2020 Shi D14/204

FOREIGN PATENT DOCUMENTS

CN 201830064169 * 10/2018
 CN 201930172679.6 * 12/2019

OTHER PUBLICATIONS

LED Night Light Bluetooth Speakers, (c) 2019 [online], [retrieved Jun. 17, 2020], Retrieved from internet, URL: <<https://www.amazon.com/Bluetooth-Speakers-Portable-Wireless-Surround/dp/B07XD8PLGK>> (Year: 2019).*

Soundcore Flare Wireless Speaker by Anker, (c) 2018 [online], [retrieved Jun. 17, 2020], Retrieved from internet, URL: <https://www.amazon.com/Portable-Bluetooth-Soundcore-Wireless-Waterproof/dp/B07BHP4W36/ref=asc_df_B07BHP4W36/?tag=hyprod-20&linkCod%28%80%A6> (Year: 2018).*

Harman Reveals the Harman Kardon Invoke198 Intelligent Speaker, May 8, 2017 [online], [retrieved Jun. 17, 2020], Retrieved from internet, URL: <<https://www.businesswire.com/news/home/20170508005430/en/HARMAN-Reveals-Harman-Kardon-Invoke%E2%84%A2-Intelligent-Speaker>> (Year: 2017).*

* cited by examiner

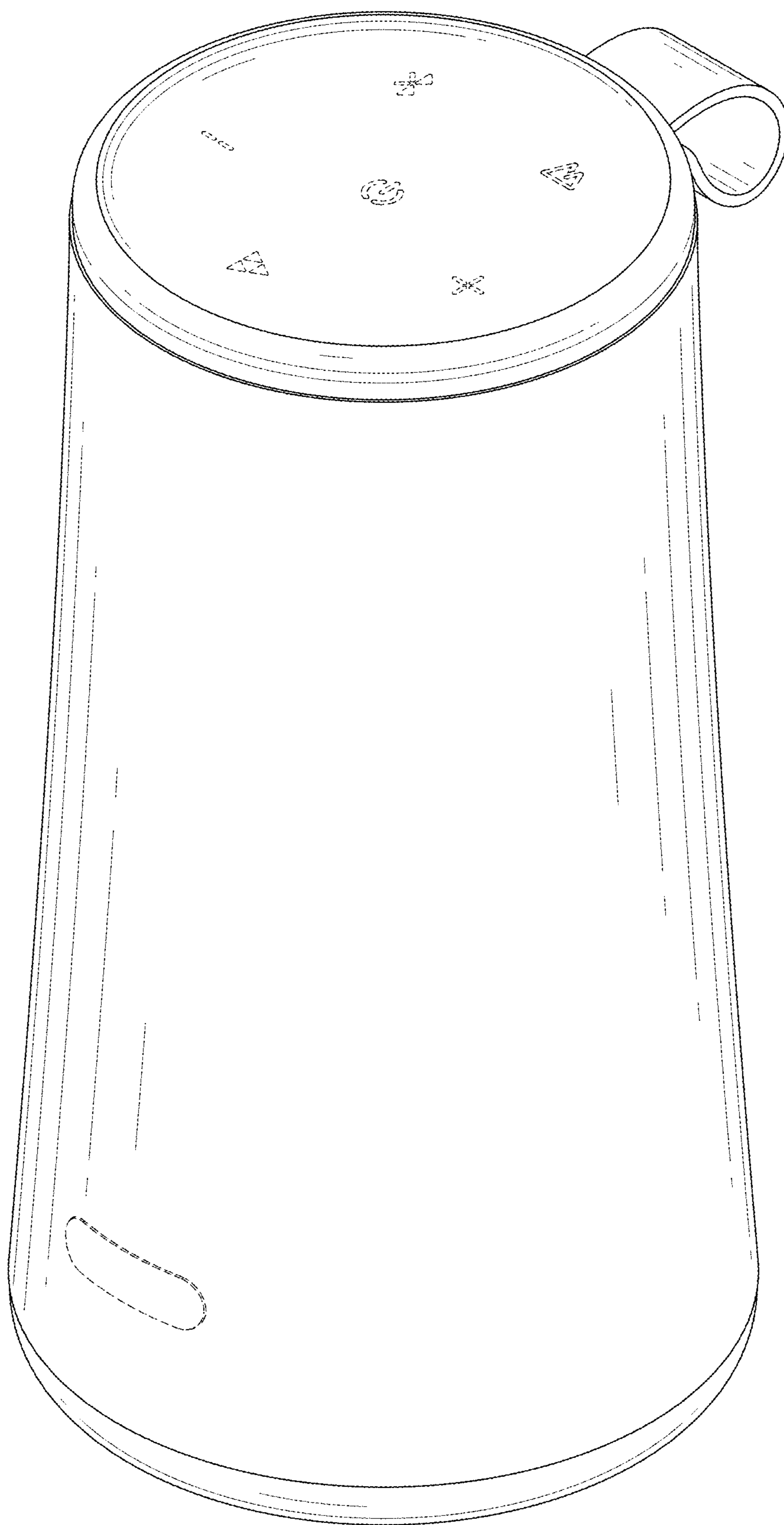


FIG. 1

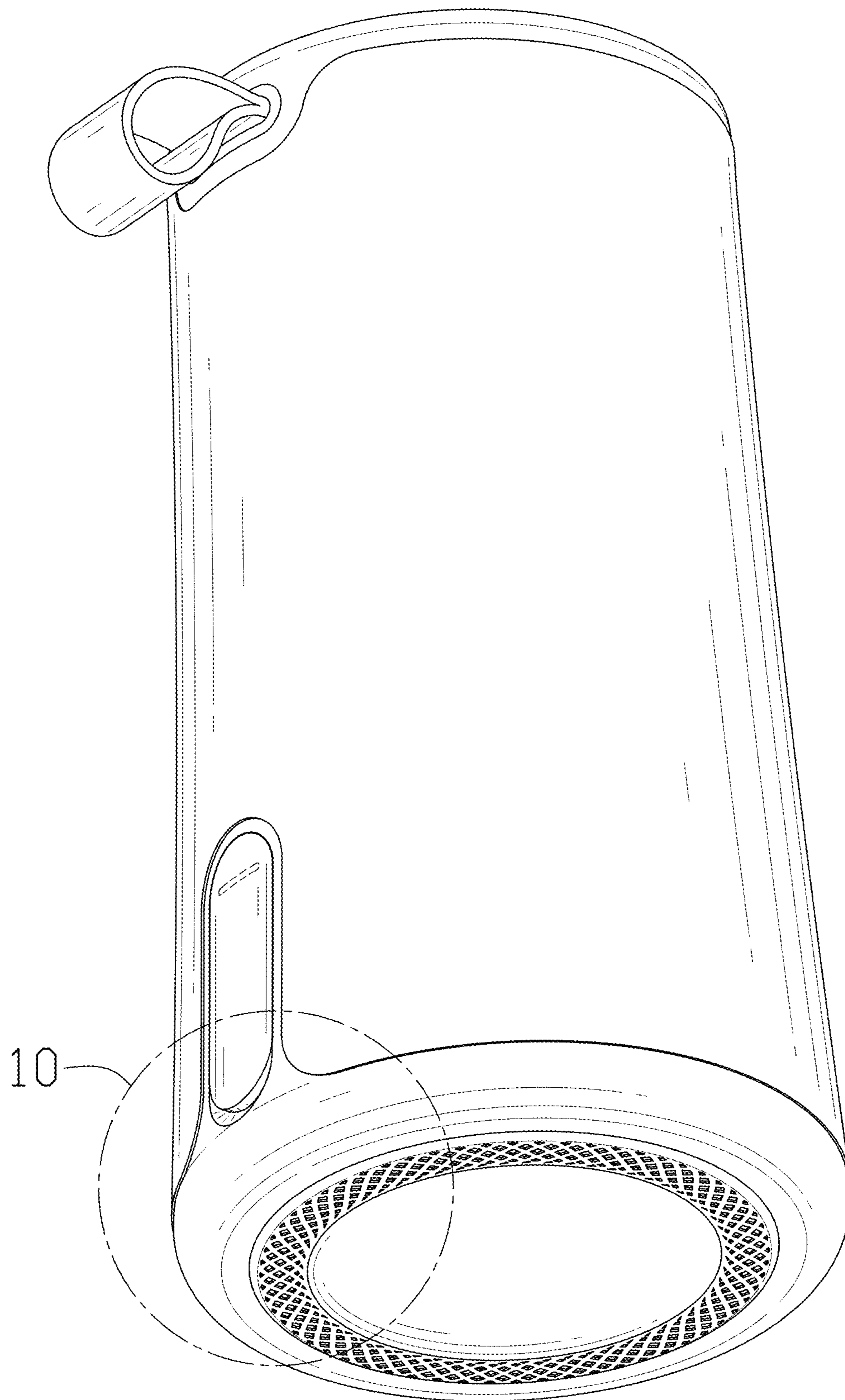


FIG. 2

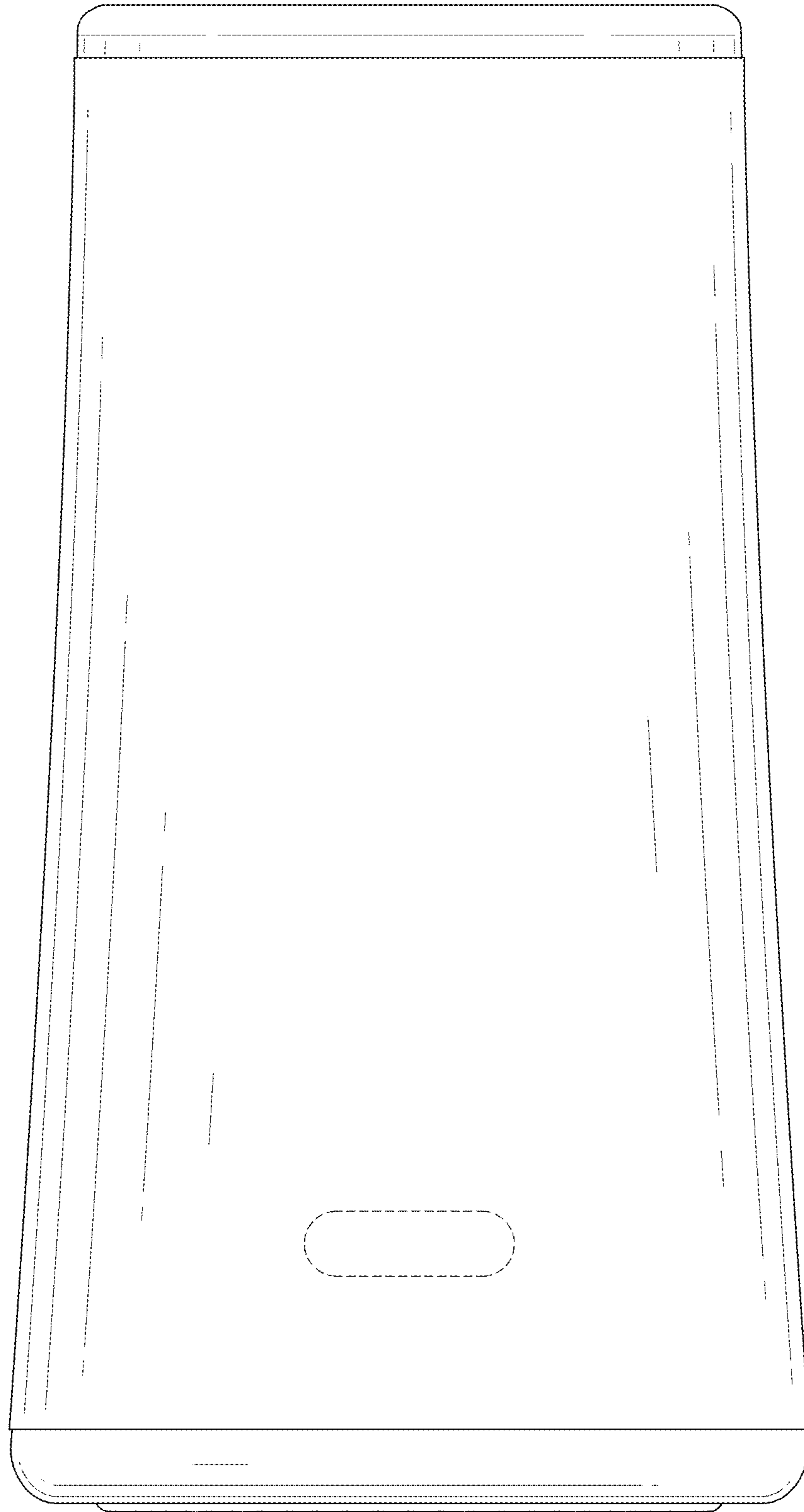


FIG. 3

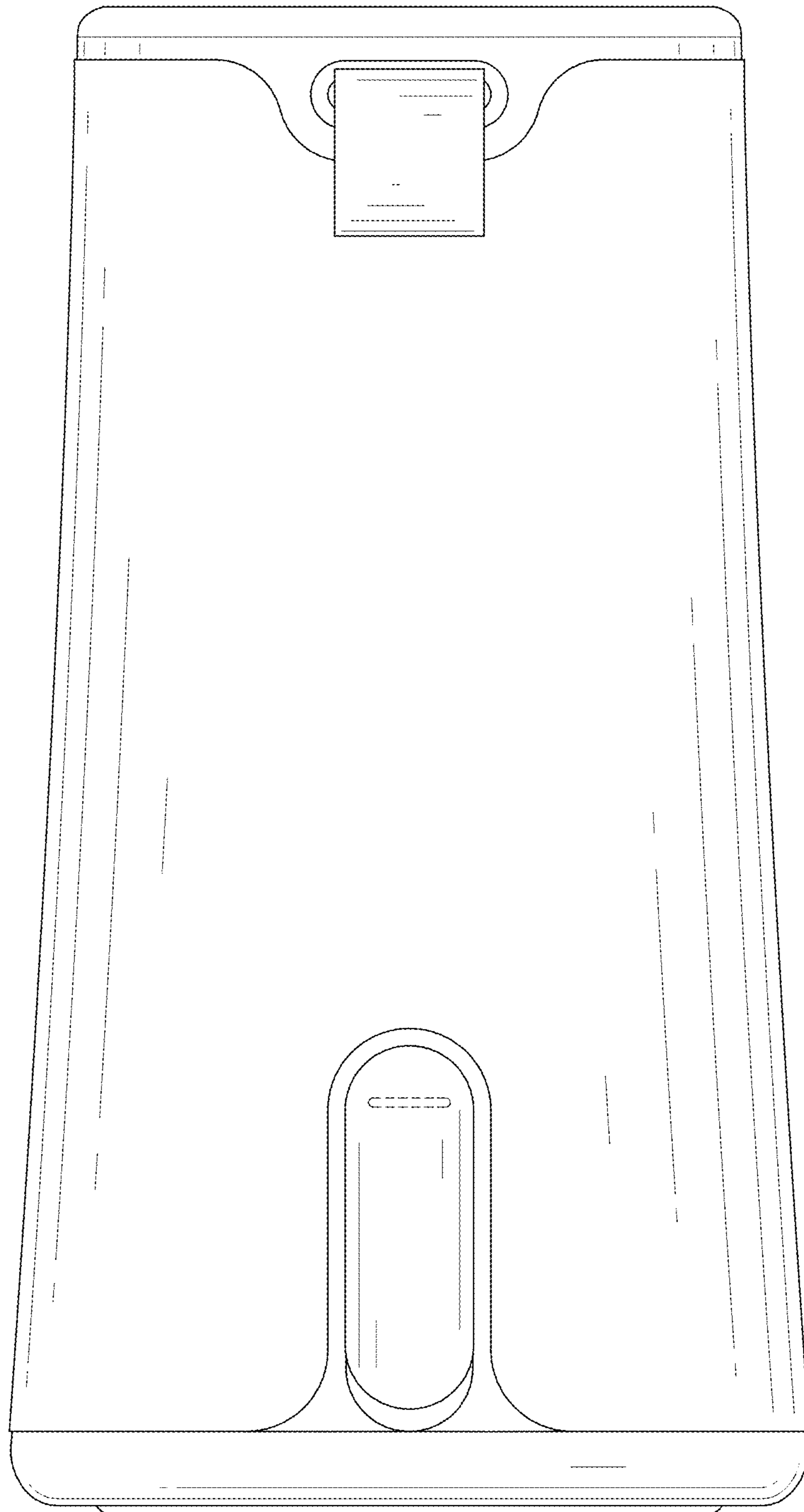


FIG. 4

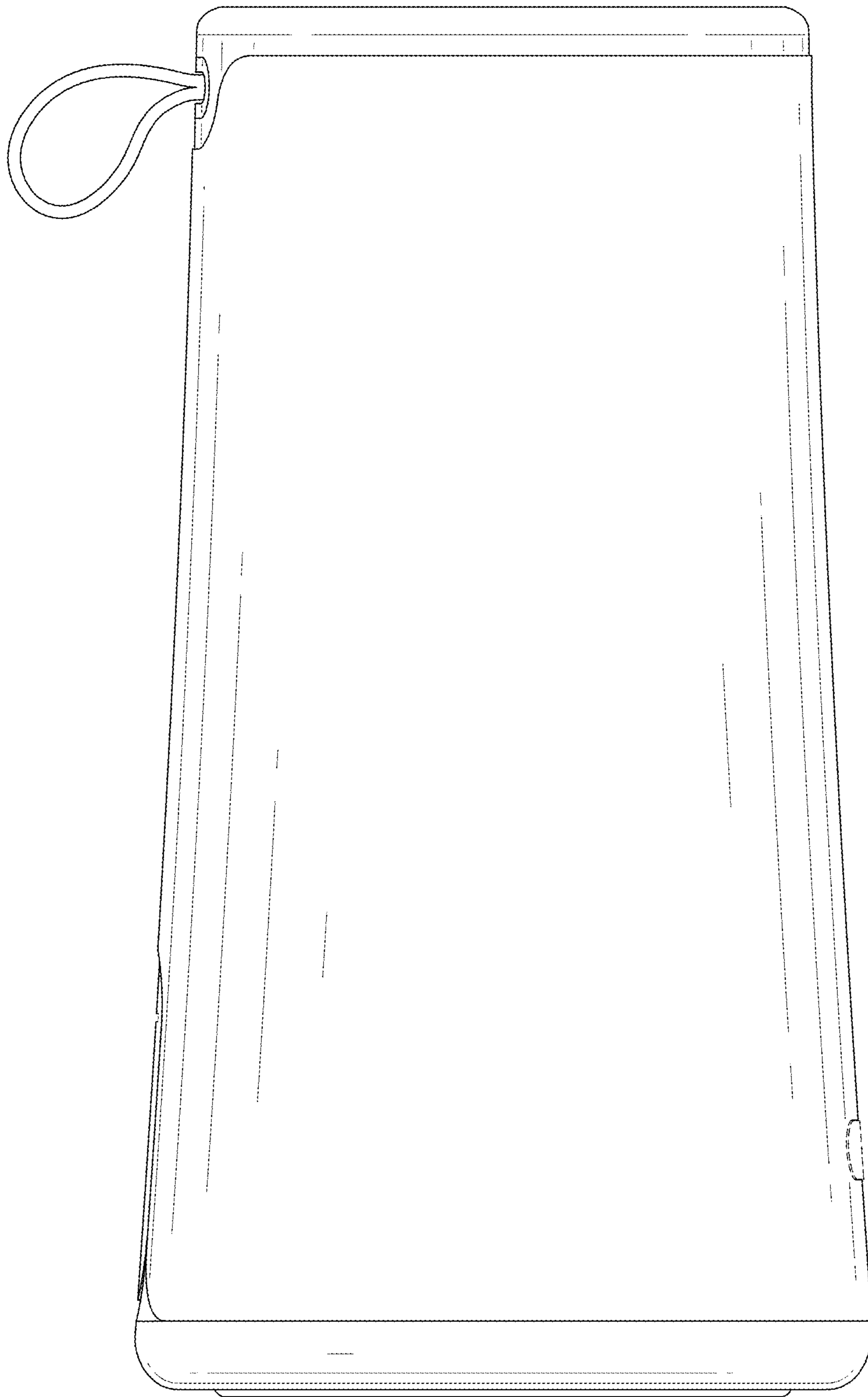


FIG. 5

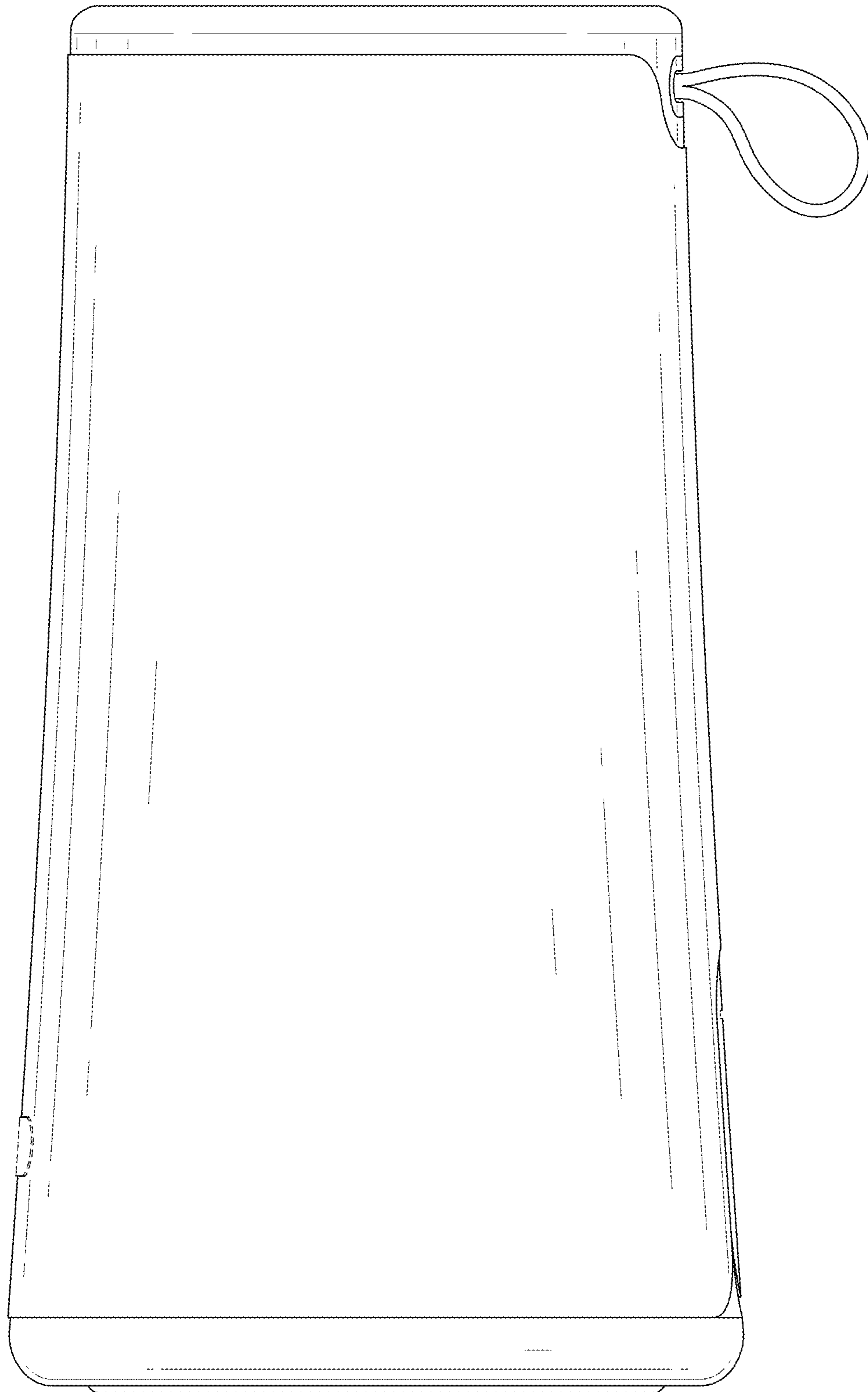


FIG. 6

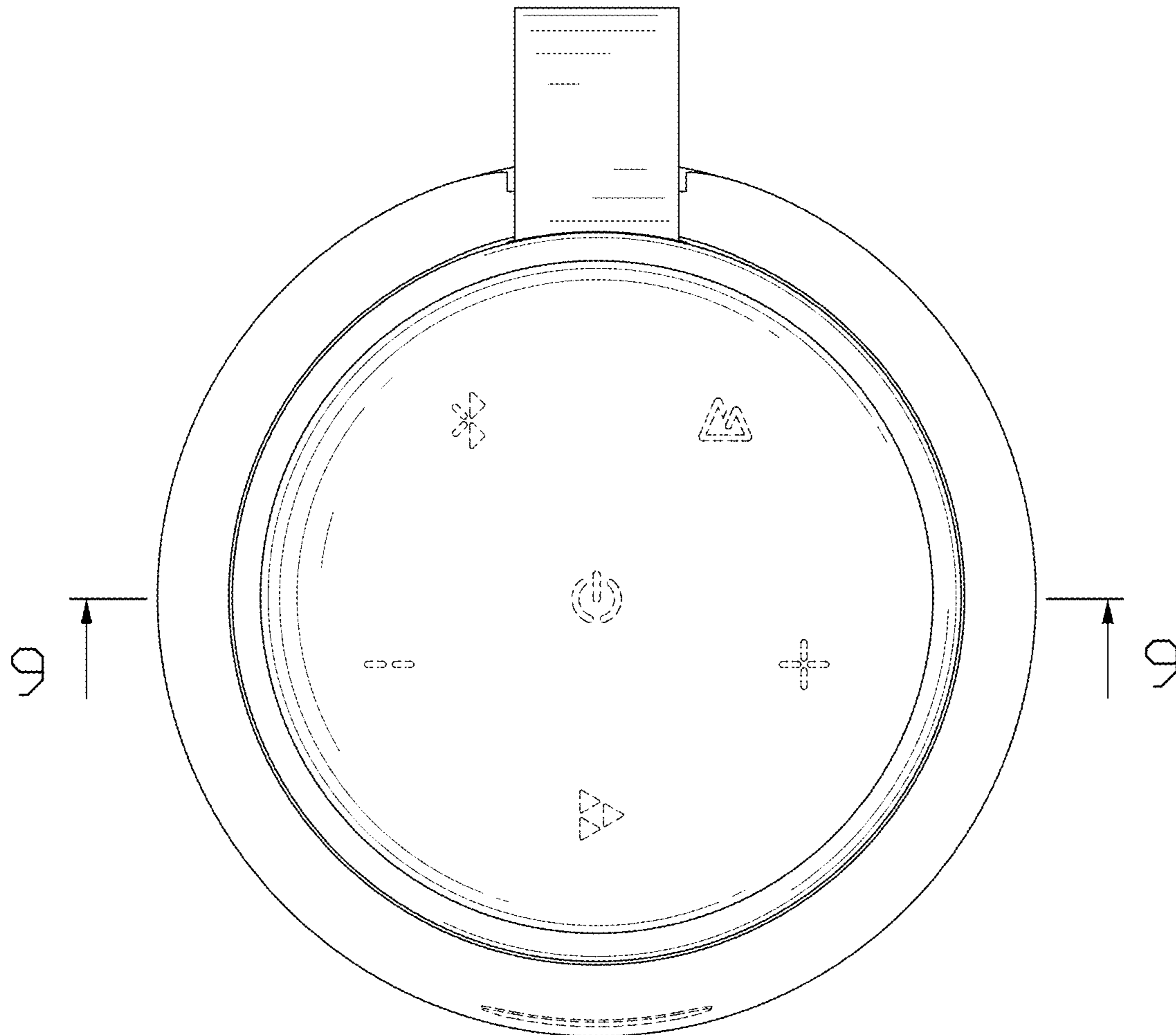


FIG. 7

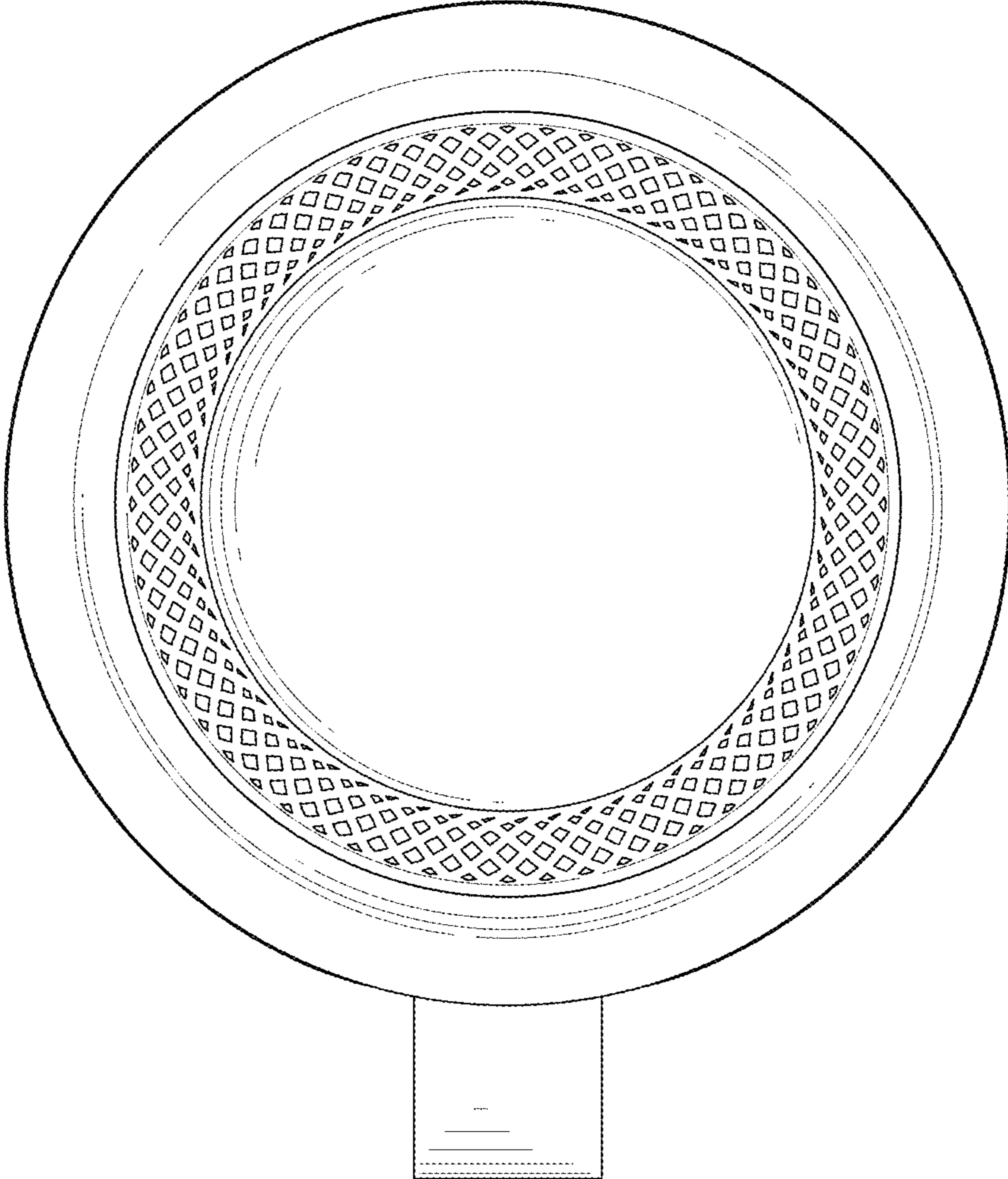


FIG. 8

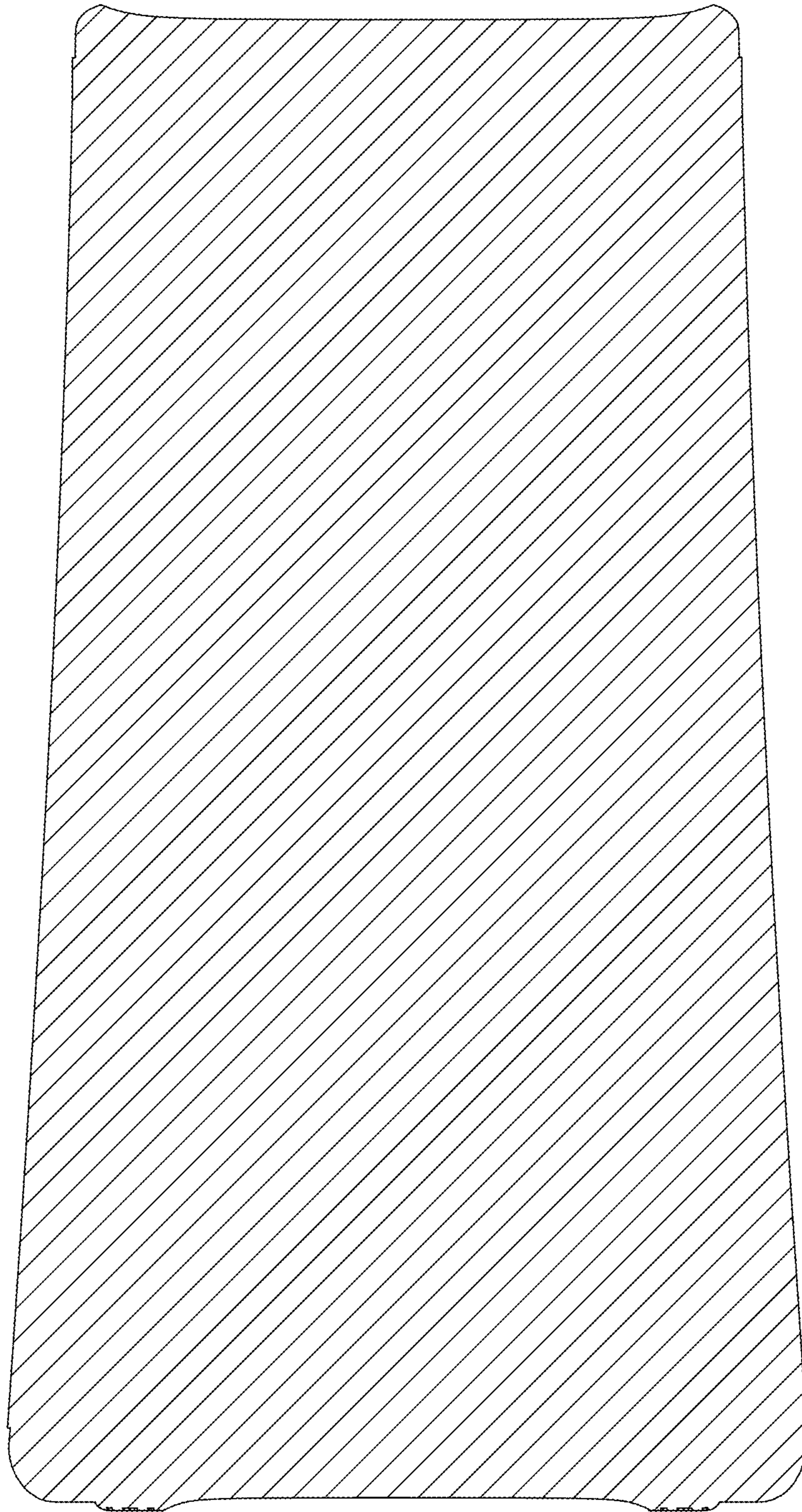


FIG. 9

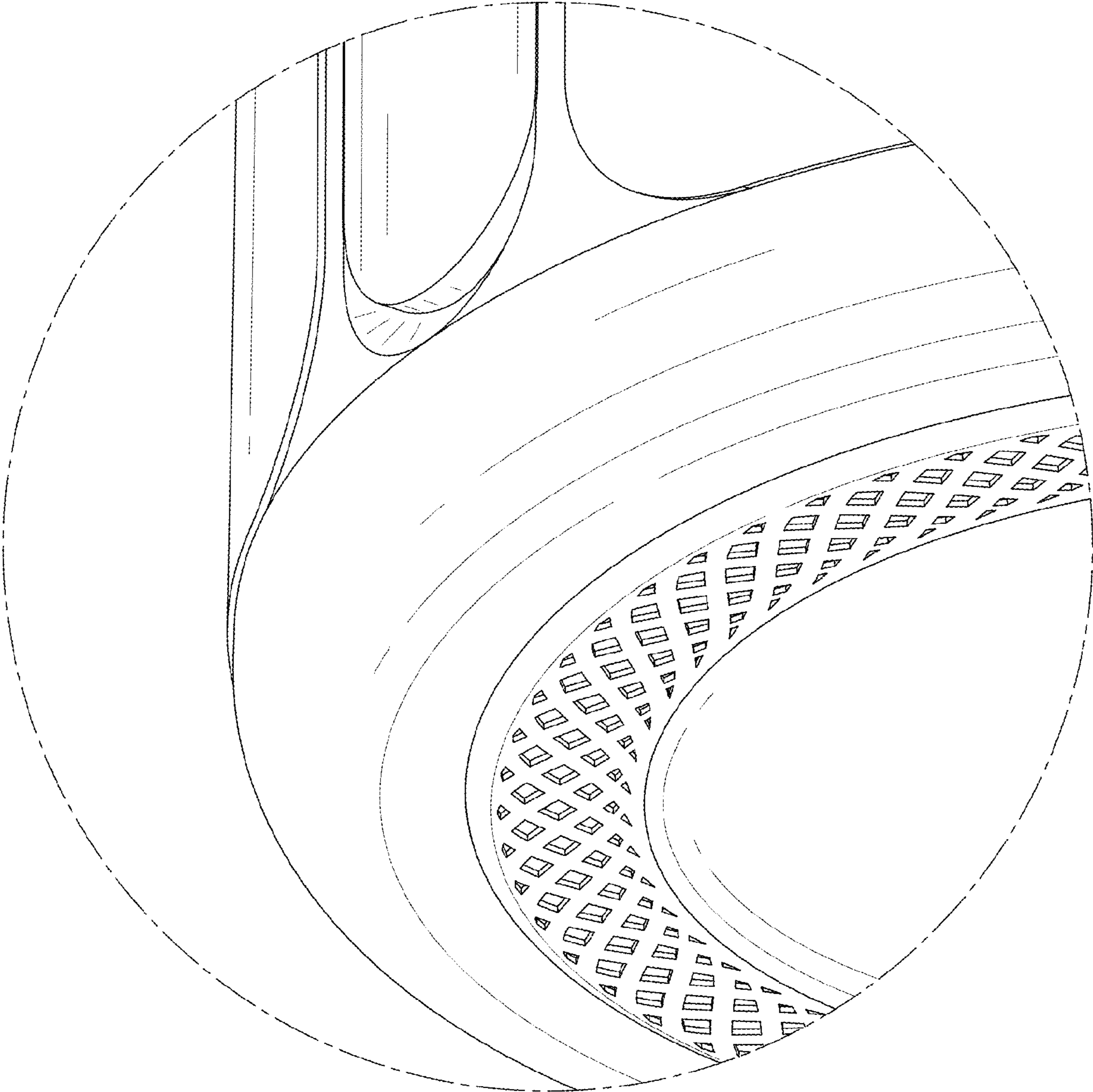


FIG. 10