



US00D902881S

(12) **United States Design Patent**
Takahashi et al.

(10) **Patent No.:** **US D902,881 S**
(45) **Date of Patent:** **** Nov. 24, 2020**

(54) **RADIO**

FOREIGN PATENT DOCUMENTS

(71) Applicant: **MAKITA CORPORATION**, Anjo (JP)

EM 00400247-0001 11/2005

(72) Inventors: **Koji Takahashi**, Anjo (JP); **Kazunori Tsuge**, Anjo (JP)

OTHER PUBLICATIONS

(73) Assignee: **MAKITA CORPORATION**, Anjo (JP)

Koehler, Kenny; ProTool Reviews; "Makita XRM09B Cordless Bluetooth Job Site Radio Review"; [online] "https://www.protoolreviews.com/tools/power/cordless/radios/makita-xrm09b-cordless-bluetooth-job-site-radio/50469/"; dated Oct. 24, 2019; accessed Jun. 23, 2019; 10pgs. (Year: 2019).*

(**) Term: **15 Years**

(21) Appl. No.: **29/690,191**

(22) Filed: **May 6, 2019**

Primary Examiner — Keli L Hill

(30) **Foreign Application Priority Data**

Nov. 8, 2018 (JP) 2018-024572

(51) **LOC (12) Cl.** **14-03**

(52) **U.S. Cl.**
USPC **D14/197; D14/188**

(58) **Field of Classification Search**

USPC D14/162, 169, 175, 179, 197, 198, 217, D14/357, 265, 299

CPC B60R 11/0217; G06F 1/1688; G10K 9/22; G10K 11/004; H03F 1/327; H04M 1/03; H04M 1/035; H04N 5/642; H04N 21/4852; H04R 1/02; H04R 1/06; H04R 1/021; H04R 1/025; H04R 1/026; H04R 1/028; H04R 1/105; H04R 1/323; H04R 1/403; H04R 1/2803; H04R 1/2834; H04R 5/02; H04R 7/20; H04R 9/06; H04R 9/025; H04R 2201/021; H04R 2400/00; H04R 2400/07;

(Continued)

(57) **CLAIM**

The ornamental design for a radio, as shown and described.

DESCRIPTION

FIG. 1 is a front perspective view of a radio in accordance with our new design;
FIG. 2 is a rear perspective view of the radio in accordance with our new design;
FIG. 3 is a front elevational view of the radio in accordance with our new design;
FIG. 4 is a rear elevational view of the radio in accordance with our new design;
FIG. 5 is a top plan view of the radio in accordance with our new design;
FIG. 6 is a bottom plan view of the radio in accordance with our new design;
FIG. 7 is a right side elevational view of the radio in accordance with our new design; and,
FIG. 8 is a left side elevational view of the radio in accordance with our new design.

The broken lines shown are included for the purpose of illustrating portions of the radio that form no part of the claim.

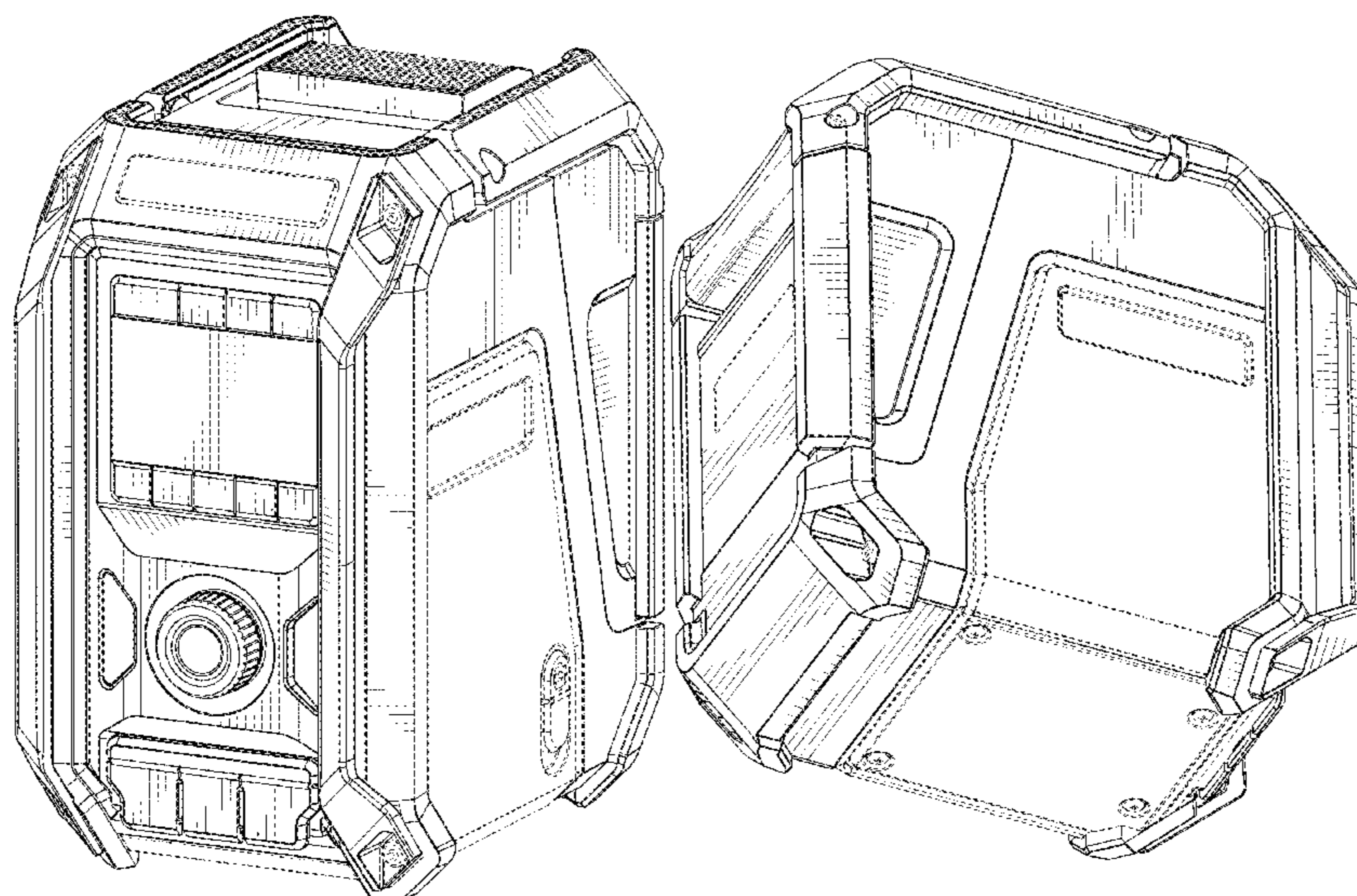
(56) **References Cited**

U.S. PATENT DOCUMENTS

D488,797 S * 4/2004 Hioki D14/168
D657,774 S * 4/2012 Chung D14/168
D671,094 S 11/2012 Kokawa et al.

(Continued)

1 Claim, 8 Drawing Sheets



(58) **Field of Classification Search**

CPC H04R 2499/11; H04R 2499/13; H04R
2499/15; H04S 3/00; H04S 7/30

See application file for complete search history.

(56) **References Cited**

U.S. PATENT DOCUMENTS

D674,766 S * 1/2013 Desrosiers D14/204
D741,795 S * 10/2015 Conrad D13/108

* cited by examiner

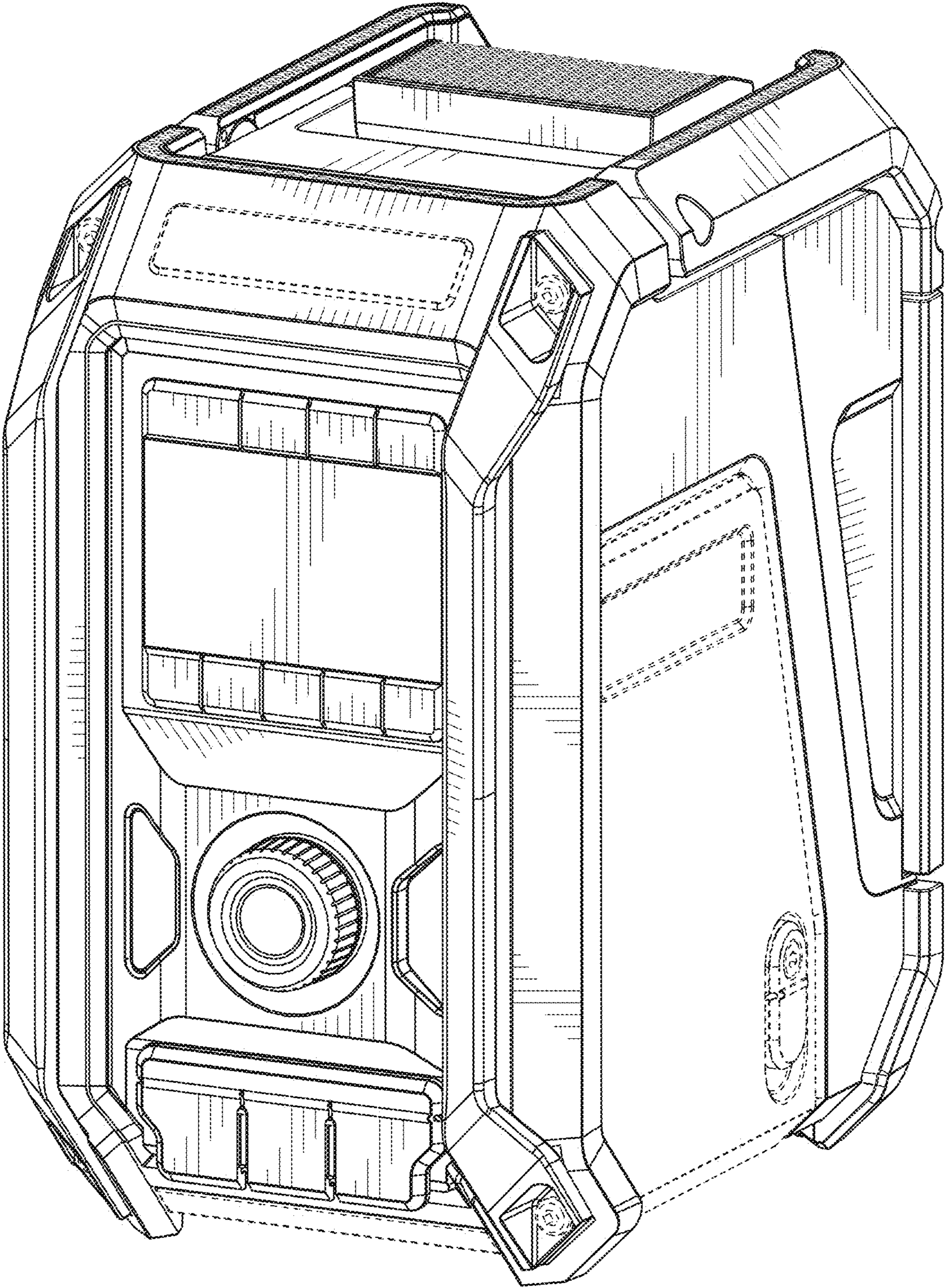


FIG. 1

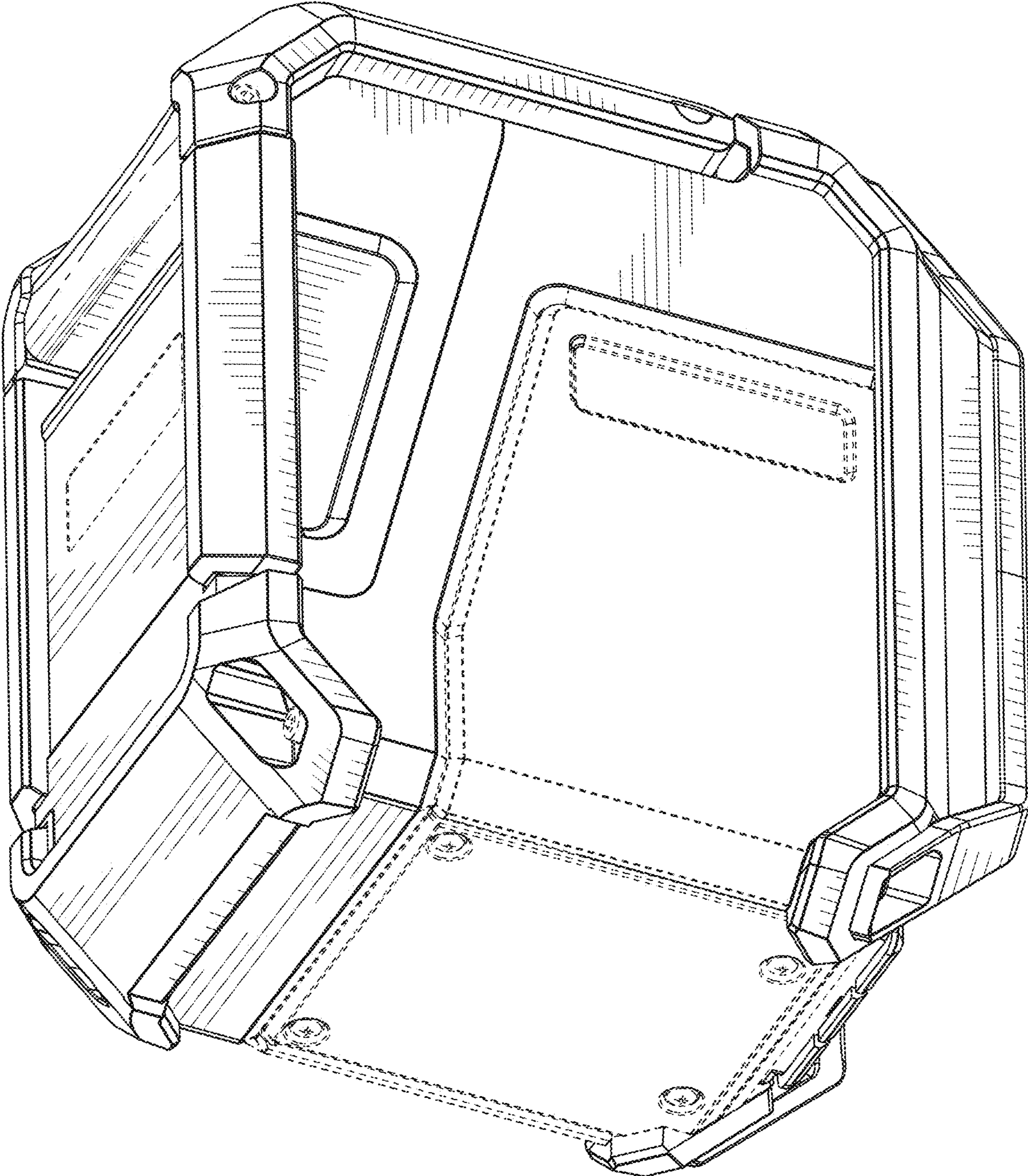


FIG. 2

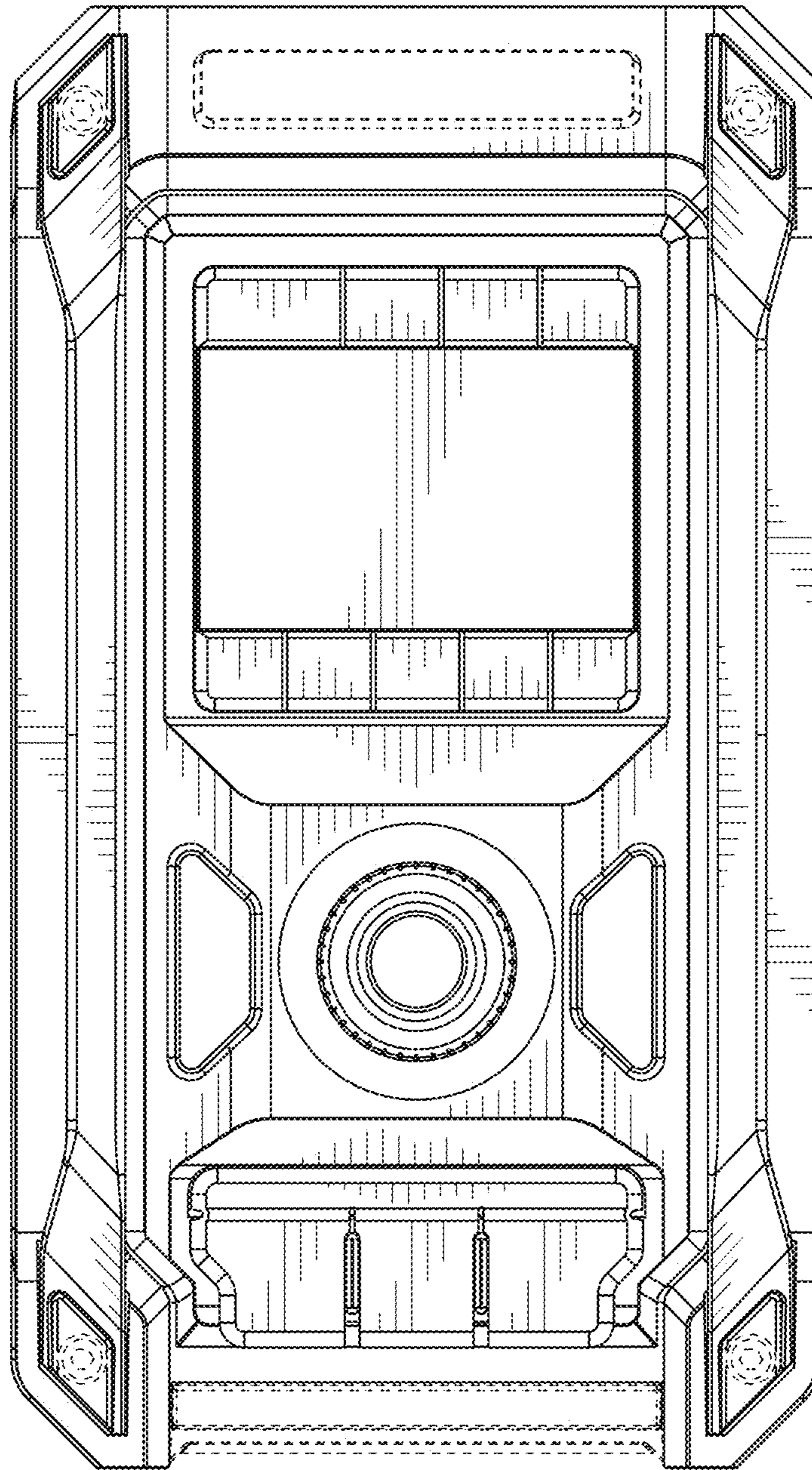


FIG. 3

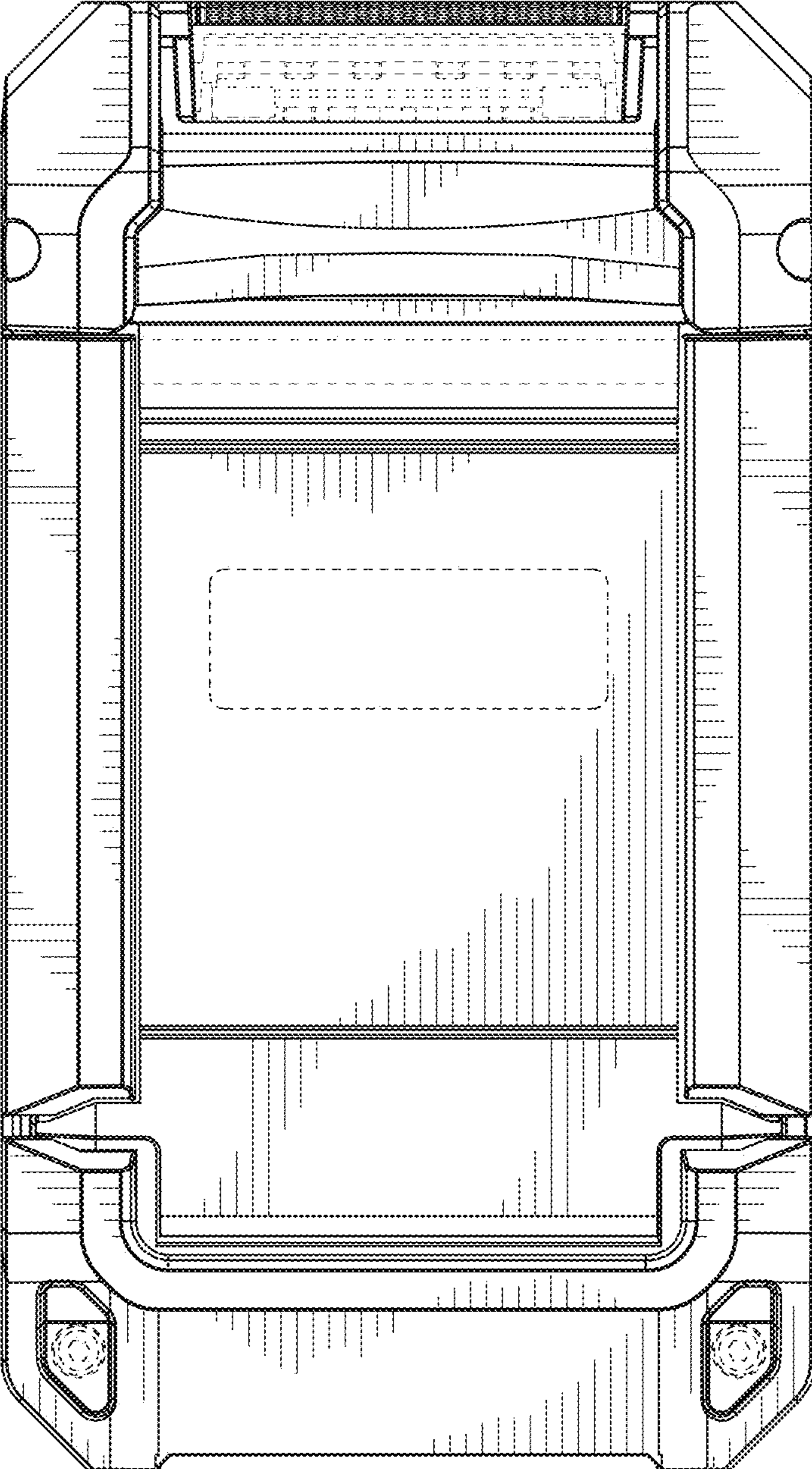


FIG. 4

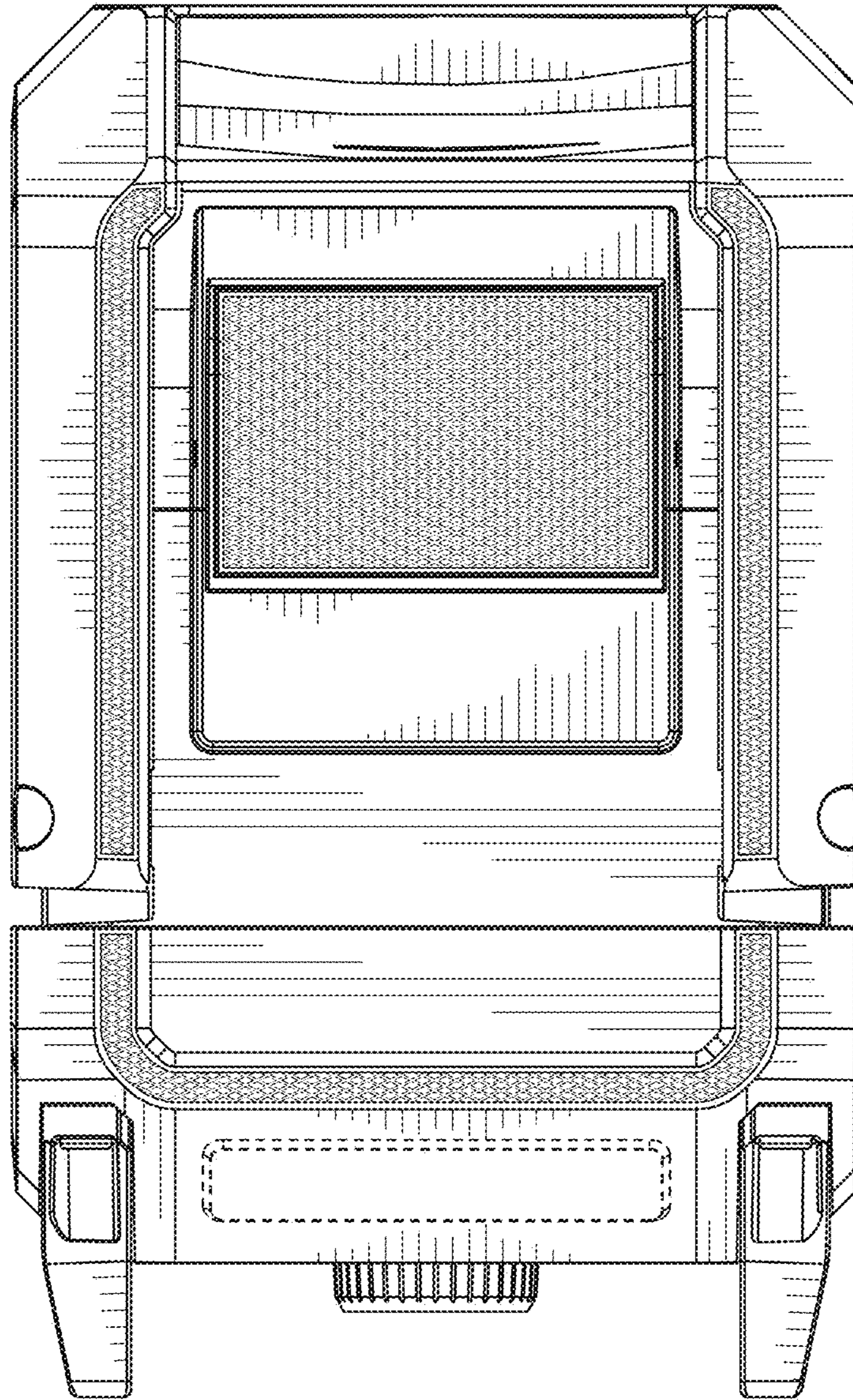


FIG. 5

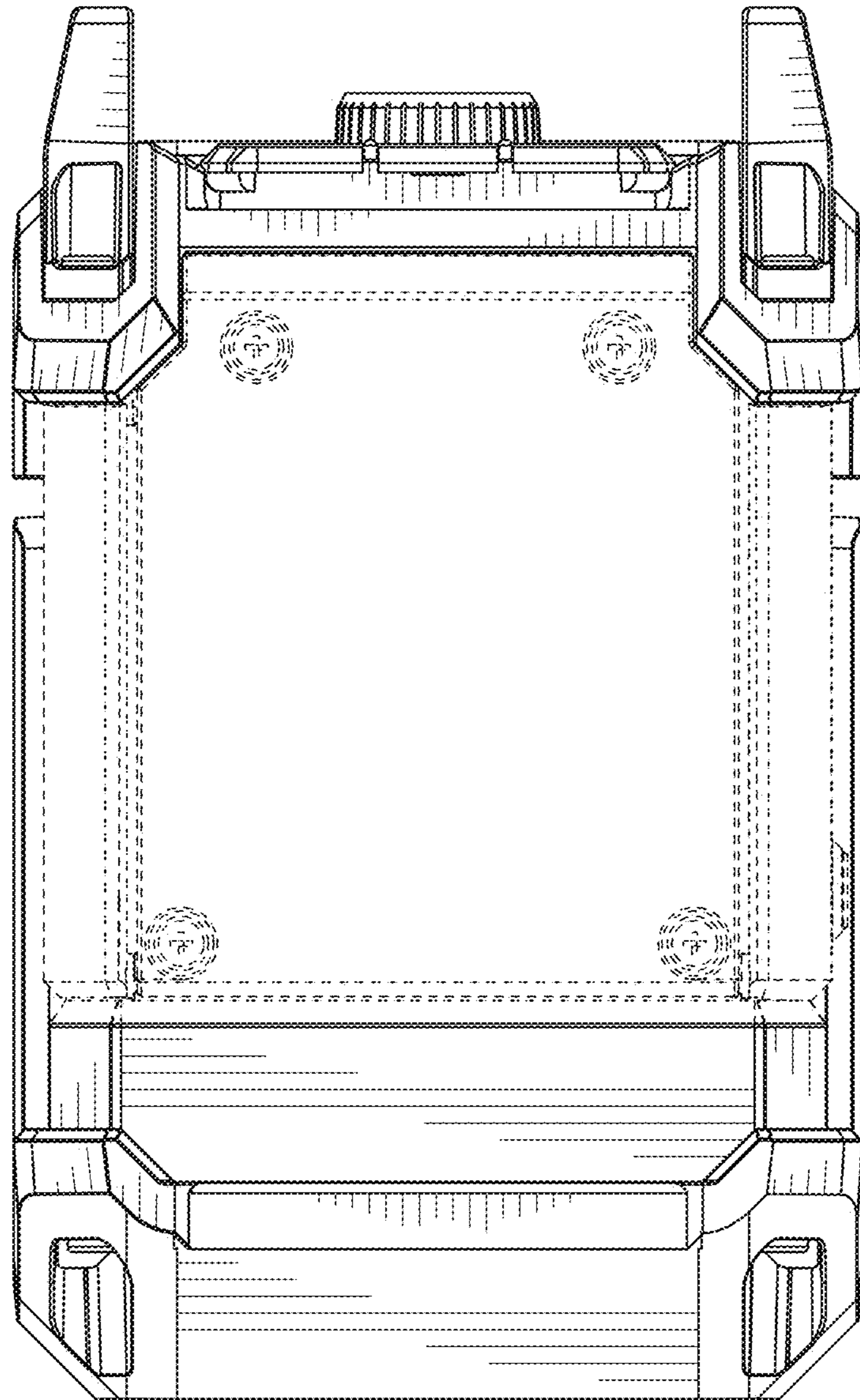


FIG. 6

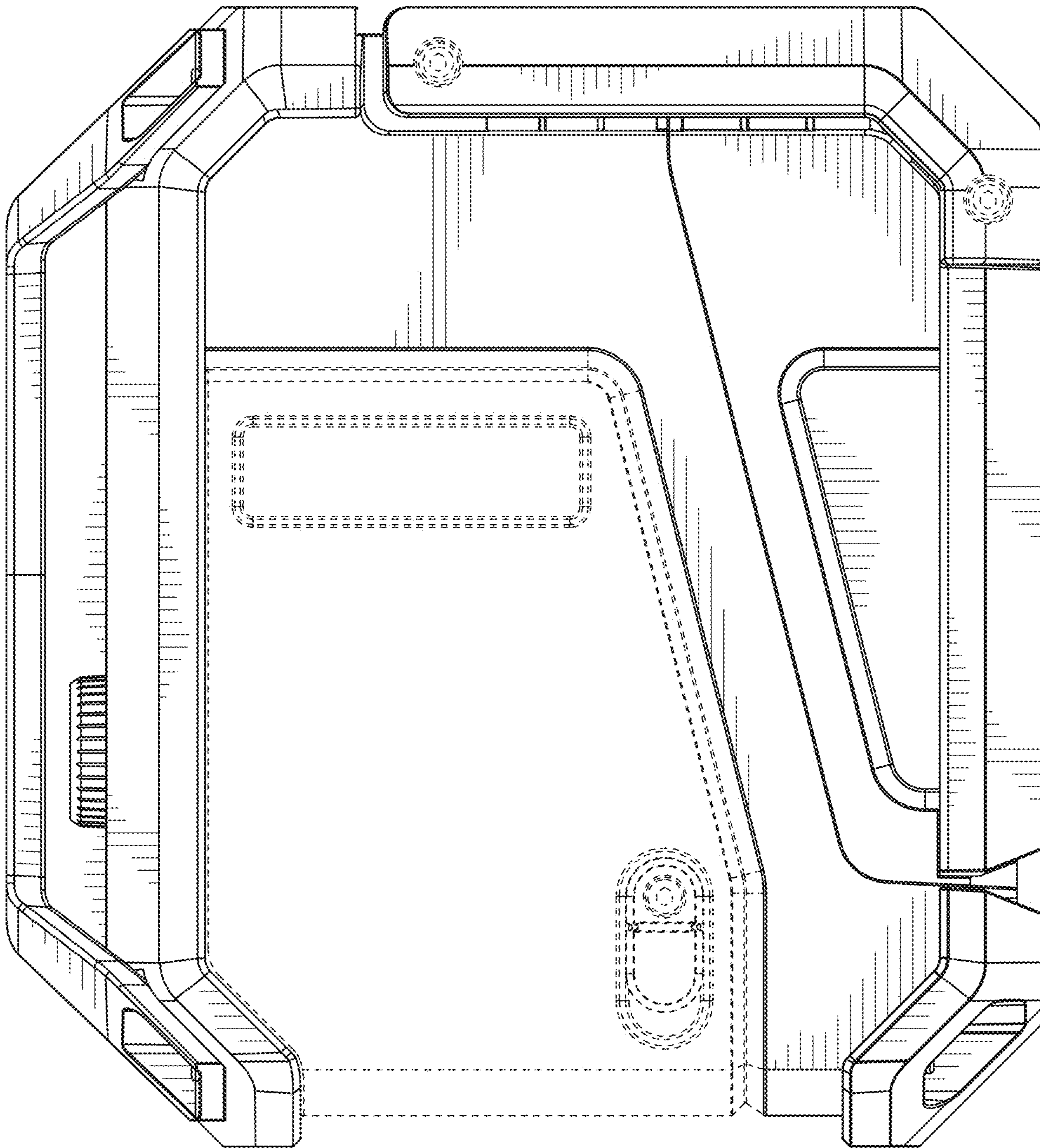


FIG. 7

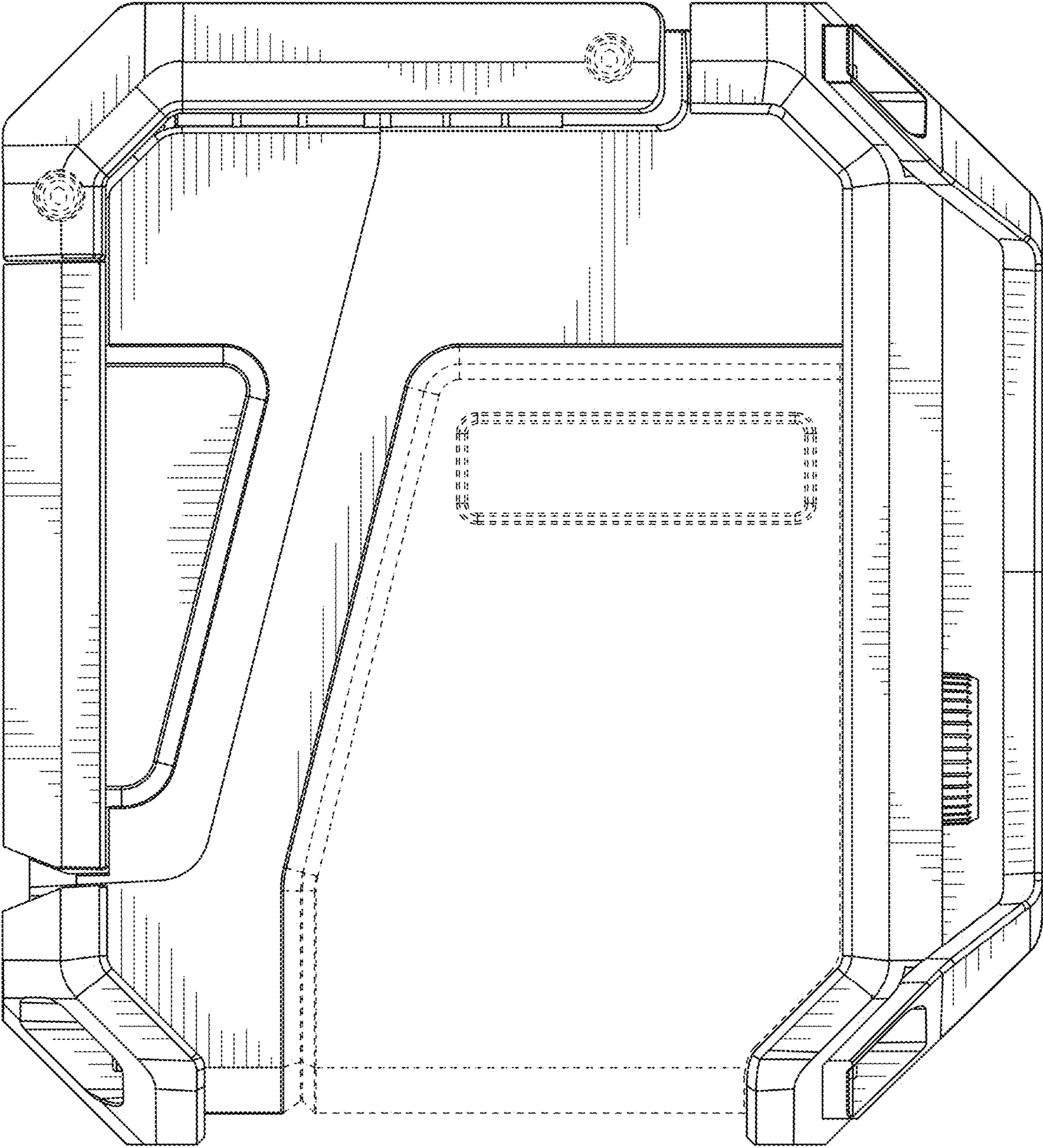


FIG. 8