



US00D902880S

(12) **United States Design Patent**
Florczak et al.

(10) **Patent No.:** **US D902,880 S**

(45) **Date of Patent:** **** Nov. 24, 2020**

- (54) **ALL-IN-ONE SPEAKERPHONE CONSOLE**
- (71) Applicant: **Crestron Electronics, Inc.**, Rockleigh, NJ (US)
- (72) Inventors: **Don Florczak**, Tenafly, NJ (US);
Joseph Sarrasin, Redding, CT (US)
- (73) Assignee: **Crestron Electronics, Inc.**, Rockleigh, NJ (US)
- (**) Term: **15 Years**

- (21) Appl. No.: **29/693,401**
- (22) Filed: **Jun. 3, 2019**
- (51) **LOC (12) Cl.** **14-03**
- (52) **U.S. Cl.**
USPC **D14/149**
- (58) **Field of Classification Search**
USPC D14/140, 140.1, 141.1, 142, 144, 147,
D14/149, 150, 155, 168, 172, 204, 206,
D14/209.1, 212, 213, 215, 216, 248, 249,
D14/299, 496, 226, 356, 358, 432, 454,
D14/192, 221, 127-130, 211; D10/104.1,
D10/106.1, 106.3, 106.5; D24/185, 186
CPC H04M 1/00; H04M 1/026; H04M 1/04;
H04M 1/6033; H04M 1/6041; H04M
3/02; H04M 3/005; H04M 3/56; H04M
3/564; H04M 3/568; H04M 9/02; H04M
9/022; H04M 9/08; H04R 1/00; H04R
1/02; H04R 1/403; H04R 1/406; H04R
27/00

See application file for complete search history.

(56) **References Cited**

U.S. PATENT DOCUMENTS

- D311,141 S * 10/1990 Murata D10/15
- D330,376 S * 10/1992 Kawaguchi D14/212
- D344,944 S * 3/1994 Fontana D14/141.1
- D368,478 S 4/1996 Bernstein et al.
- D374,235 S * 10/1996 Biasotti D10/15
- D382,265 S 8/1997 Bradley et al.

- D382,266 S 8/1997 Wakefield
 - D401,582 S * 11/1998 Gremchuck D14/210
 - D410,085 S * 5/1999 Jacobs D24/165
- (Continued)

OTHER PUBLICATIONS

Conference unit. (Design—© Questel) orbit.com. [online PDF] 7 pgs. Print Dates range Aug. 11, 2011 through Oct. 21, 2019. [retrieved Aug. 3, 2020 <https://www.orbit.com/export/QPTUJ214/pdf2/460d0fef-a88f-4588-alc-b-3585e98f59df-184952.pdf>].*

(Continued)

Primary Examiner — Marie D. Fast Horse

(74) *Attorney, Agent, or Firm* — Crestron Electronics, Inc.

(57) **CLAIM**

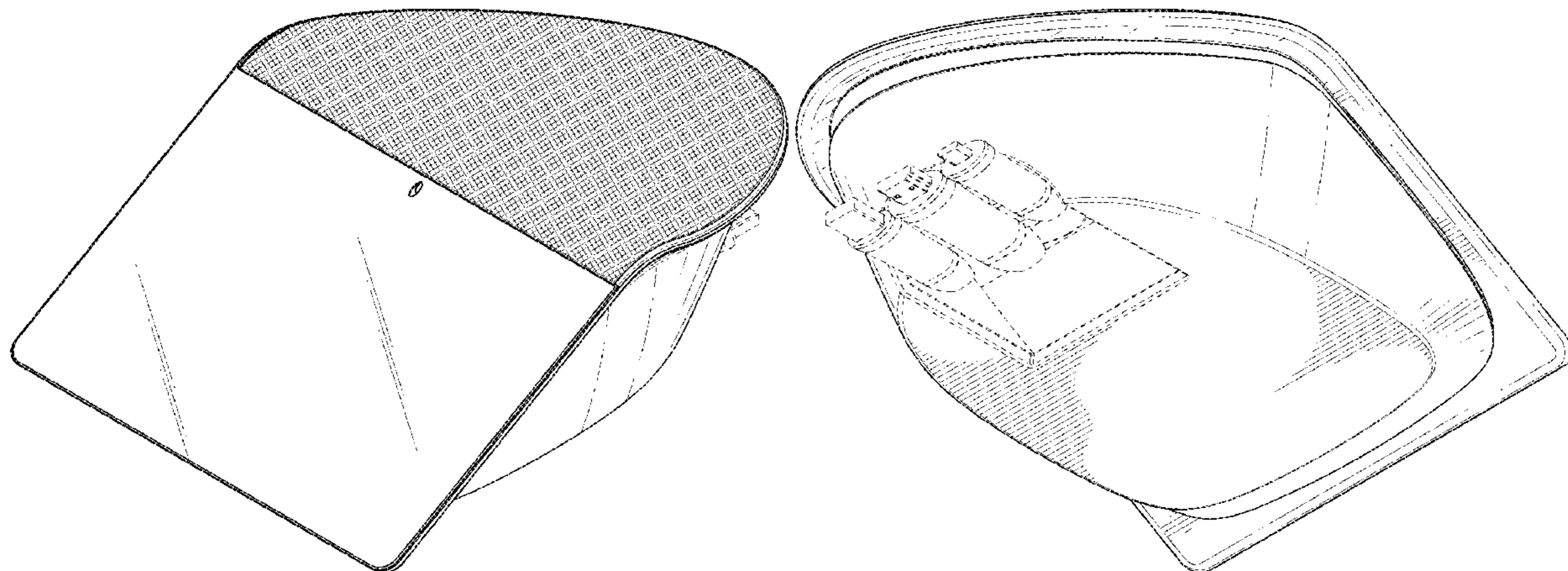
The ornamental design for an all-in-one speakerphone console, as shown and described.

DESCRIPTION

FIG. 1 shows a top isometric view of an all-in-one speakerphone console embodying our new design;
 FIG. 2 shows a bottom isometric view of the device shown in FIG. 1;
 FIG. 3 shows a front elevation view of the device shown in FIG. 1;
 FIG. 4 shows a rear elevation view of the device shown in FIG. 1;
 FIG. 5 shows a left side elevation view of the device shown in FIG. 1;
 FIG. 6 shows a right side elevation view of the device shown in FIG. 1;
 FIG. 7 shows a top plan view of the device shown in FIG. 1; and,
 FIG. 8 shows a bottom plan view of the device shown in FIG. 1.

The broken lines in the drawings depict parts of the all-in-one speakerphone console that form no part of the claim.

1 Claim, 8 Drawing Sheets



(56)

References Cited

U.S. PATENT DOCUMENTS

D412,505 S * 8/1999 Matsuoka D14/213
 D431,551 S * 10/2000 Wegner D14/210
 D434,747 S * 12/2000 Bird D14/243
 D444,777 S * 7/2001 Bird D14/150
 D449,285 S 10/2001 Wakefield et al.
 D449,286 S 10/2001 Wakefield et al.
 D461,179 S * 8/2002 Christianson D14/141.1
 D463,410 S * 9/2002 Strand D14/240
 D472,539 S * 4/2003 Fletcher D14/150
 D478,560 S 8/2003 Misrahi et al.
 D480,059 S 9/2003 Misrahi et al.
 D501,841 S * 2/2005 Hsu D14/168
 D503,395 S * 3/2005 Hirano D14/168
 D542,273 S * 5/2007 Park D14/215
 D548,839 S * 8/2007 Kobayakawa D24/165
 D551,207 S * 9/2007 Yano D14/172
 D551,208 S * 9/2007 Yano D14/172
 D559,832 S * 1/2008 Poandl D14/212
 D571,776 S 6/2008 Duys et al.
 D583,060 S * 12/2008 Kitamura D24/165
 D585,398 S * 1/2009 Hwang D14/130
 D589,829 S * 4/2009 Friedli D10/108
 D589,831 S * 4/2009 Friedli D10/108
 D594,845 S * 6/2009 Skurdal D10/2
 D599,761 S * 9/2009 Birsal D14/203.4
 D601,052 S * 9/2009 Friedli D10/108
 D619,116 S * 7/2010 Skurdal D14/168
 D635,955 S 4/2011 Corrigan et al.
 8,005,518 B1 * 8/2011 Birsal G06F 3/04886
 455/575.1

D658,175 S * 4/2012 Goetzen D14/371
 D663,843 S * 7/2012 Wang D24/166
 D665,687 S * 8/2012 Lee D10/108
 D679,018 S * 3/2013 Fullerton D24/167
 D687,010 S * 7/2013 McManigal D14/240
 D688,225 S * 8/2013 Somoza D14/142
 D718,750 S * 12/2014 Young D14/238.1
 D726,685 S * 4/2015 Cheng D14/212
 D729,232 S * 5/2015 Wu D14/341
 D749,543 S * 2/2016 Lovegrove D14/212
 D775,106 S * 12/2016 Chandel D14/218
 D795,834 S * 8/2017 Pelland D14/204
 D809,565 S * 2/2018 Magi D14/496
 D816,056 S 4/2018 Klein et al.
 D817,313 S * 5/2018 Horito D14/149
 D826,761 S * 8/2018 Lee D10/106.1
 D839,265 S * 1/2019 Nagano D14/301
 D844,010 S * 3/2019 Owens D14/434
 D855,594 S * 8/2019 Lehman D14/240
 D856,298 S * 8/2019 Border D14/150
 D861,879 S * 10/2019 Houlihan D24/185
 D873,231 S * 1/2020 Klein D14/149
 D890,161 S * 7/2020 Sreenivas D14/301
 2007/0072657 A1 * 3/2007 Hyun H04M 1/0247
 455/575.3
 2012/0281057 A1 * 11/2012 Couse H04N 7/147
 348/14.03

OTHER PUBLICATIONS

Polycom RealPresence Trio data sheet, 2016.

* cited by examiner

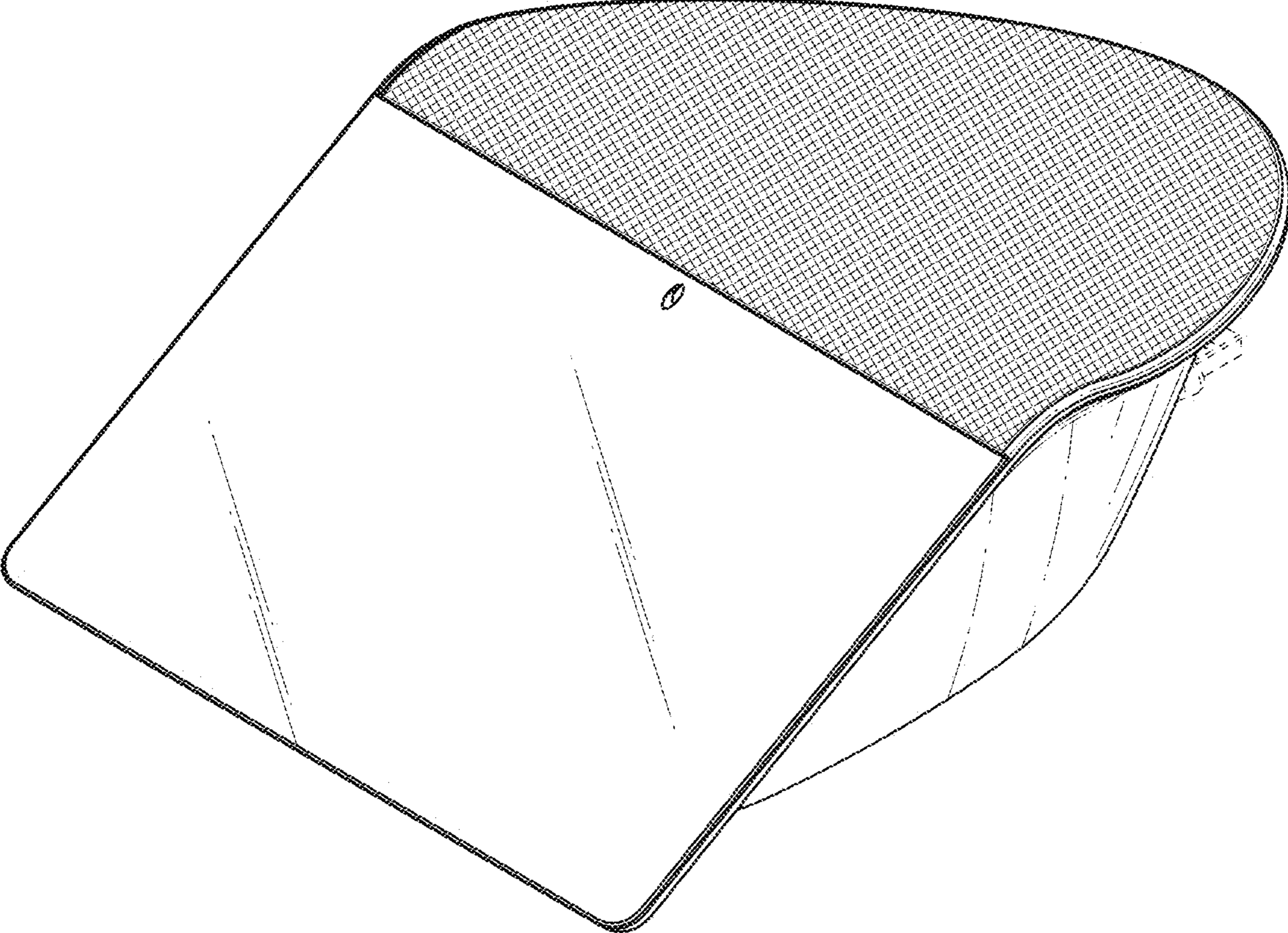


FIG. 1

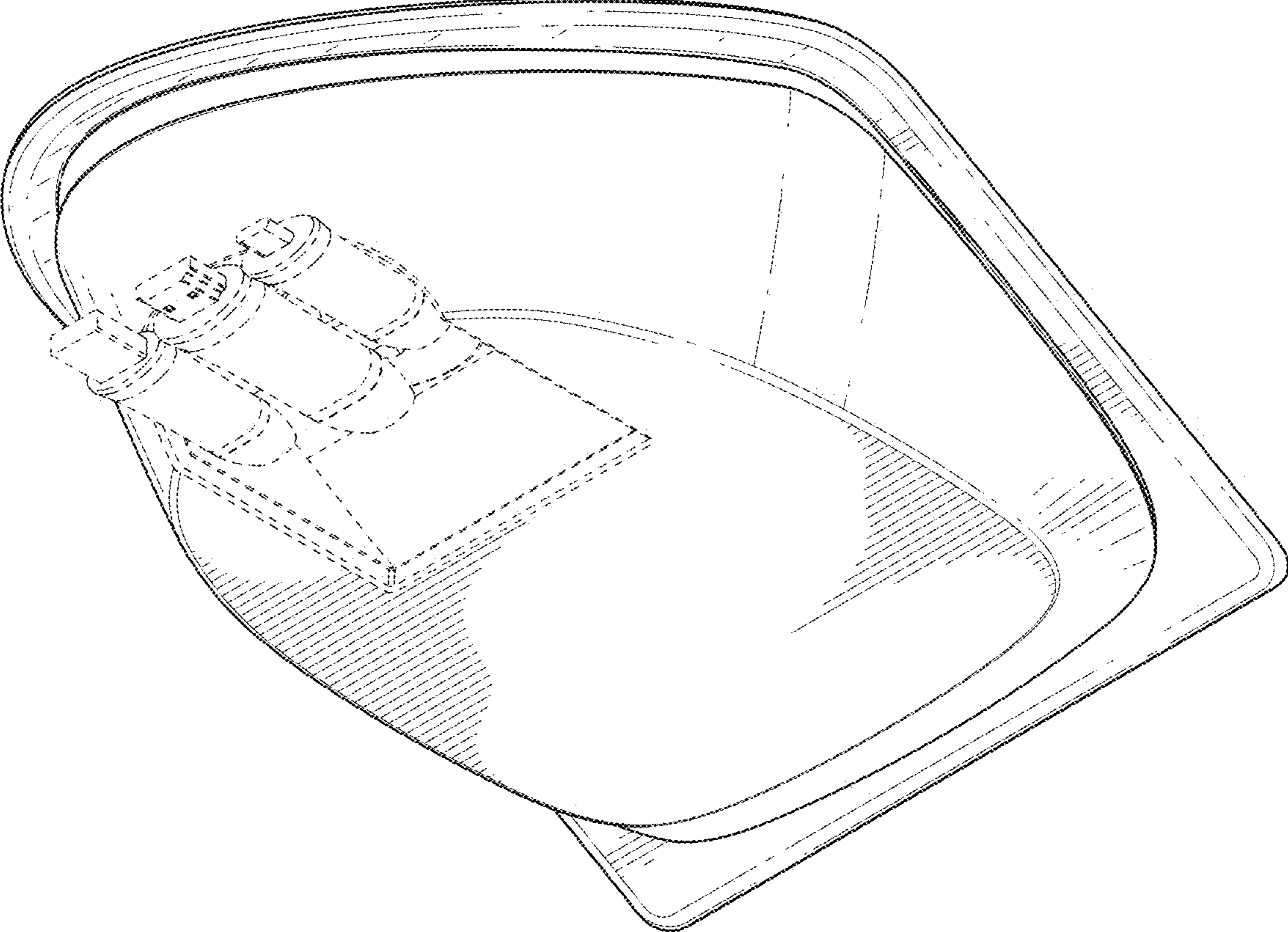


FIG. 2

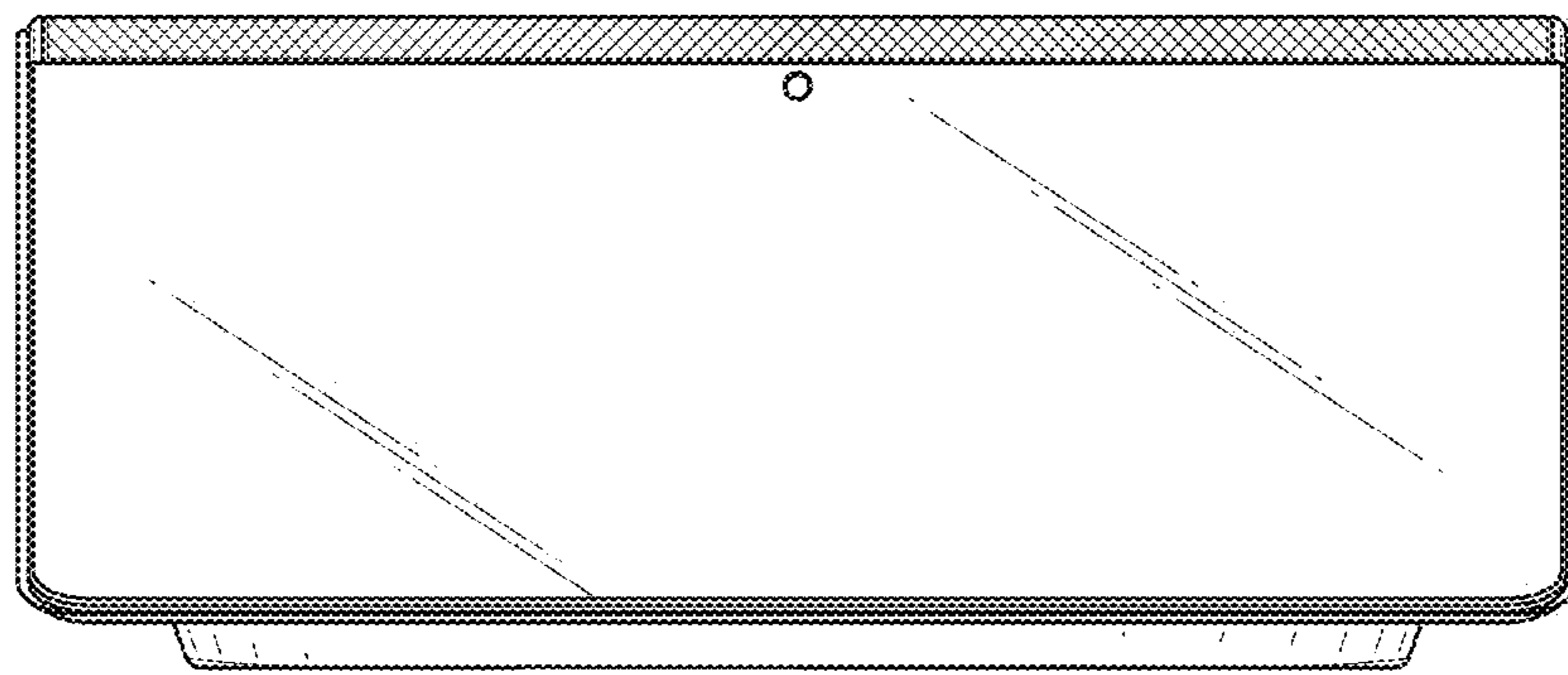


FIG. 3

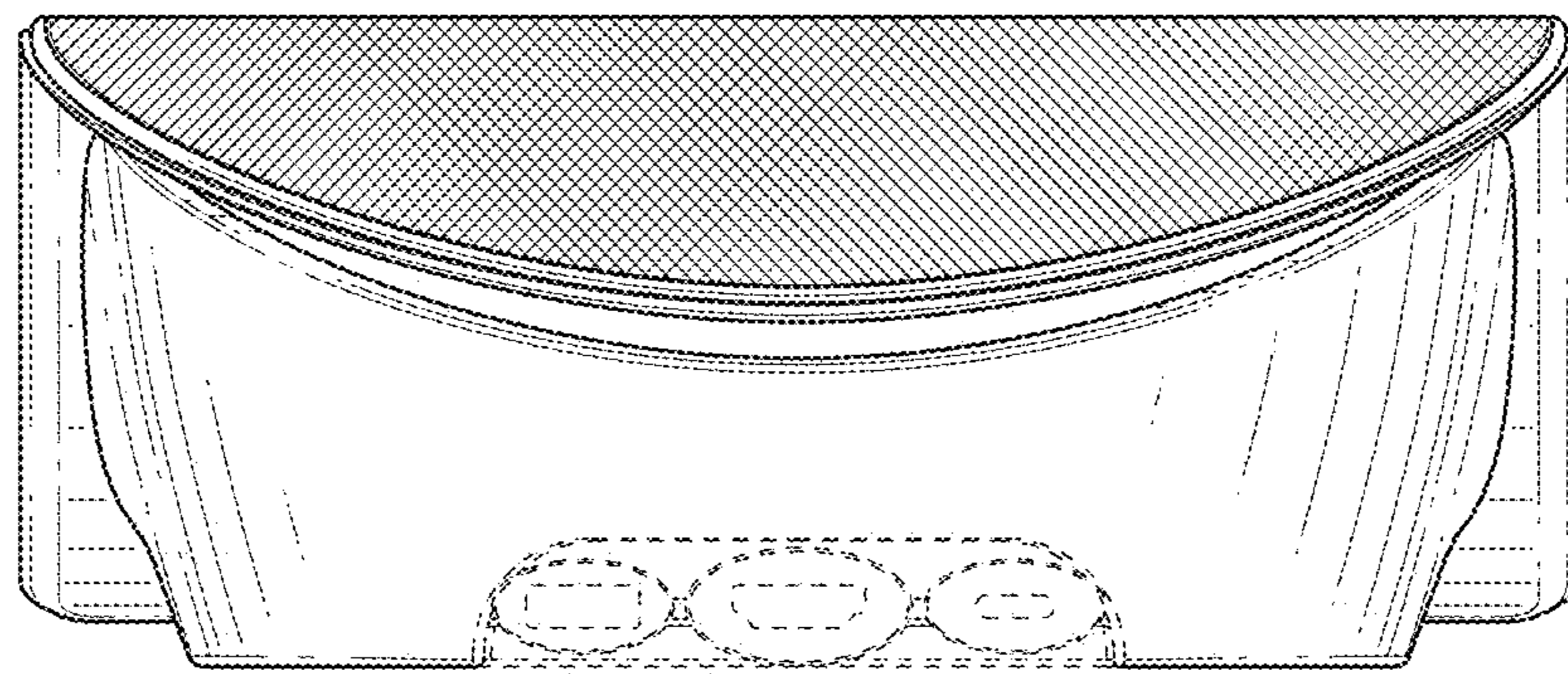


FIG.4

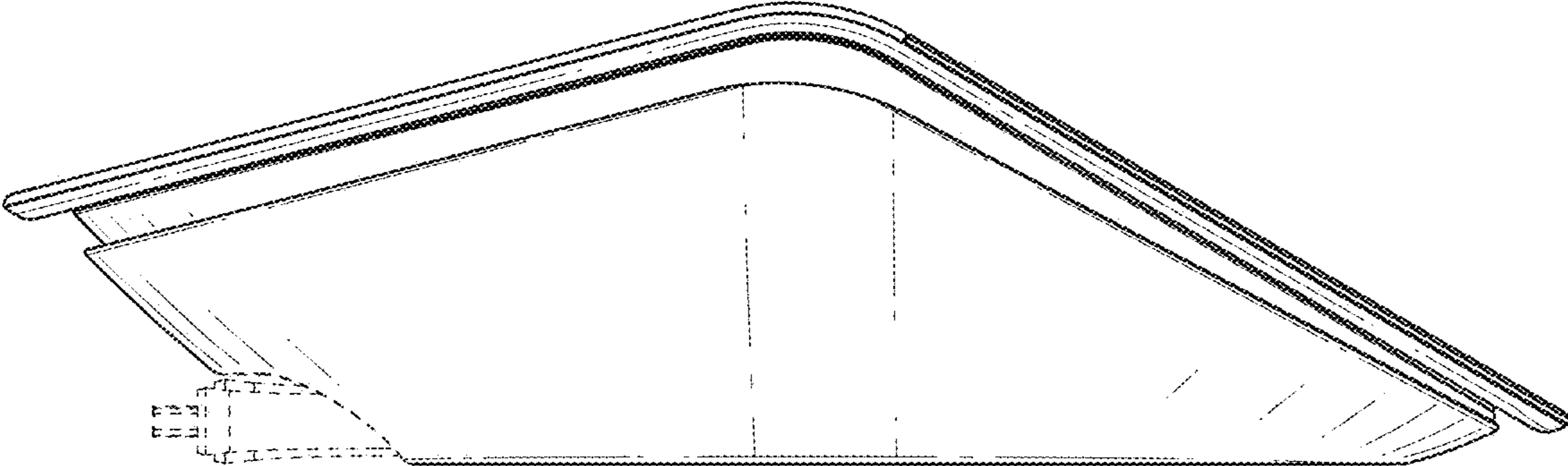


FIG. 5

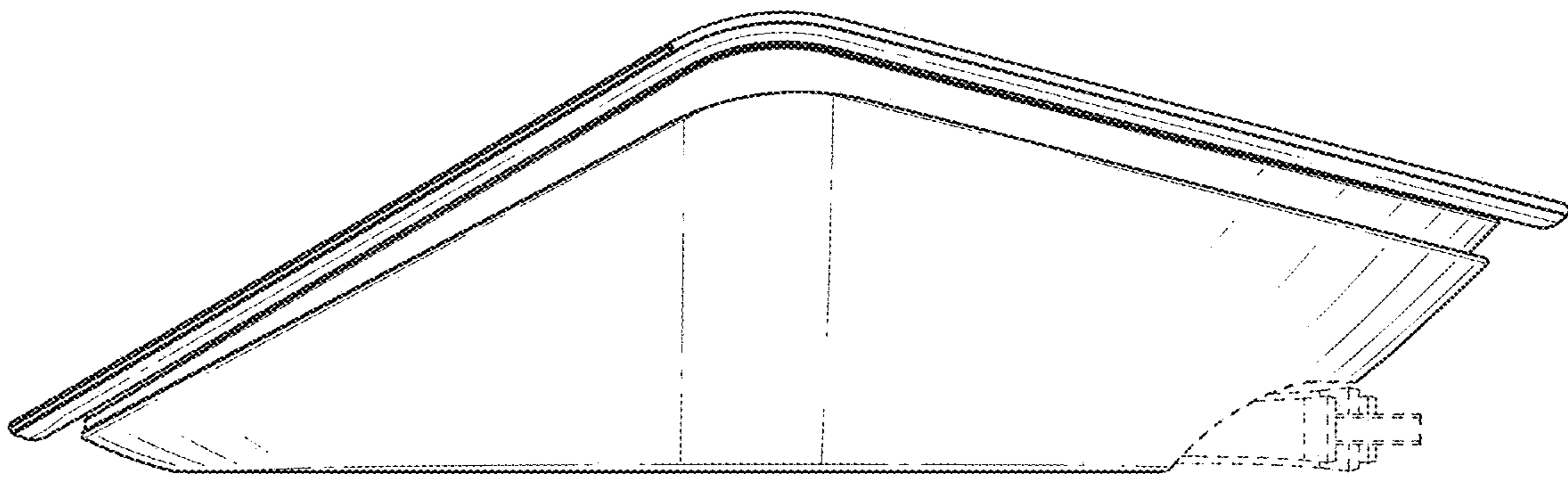


FIG. 6

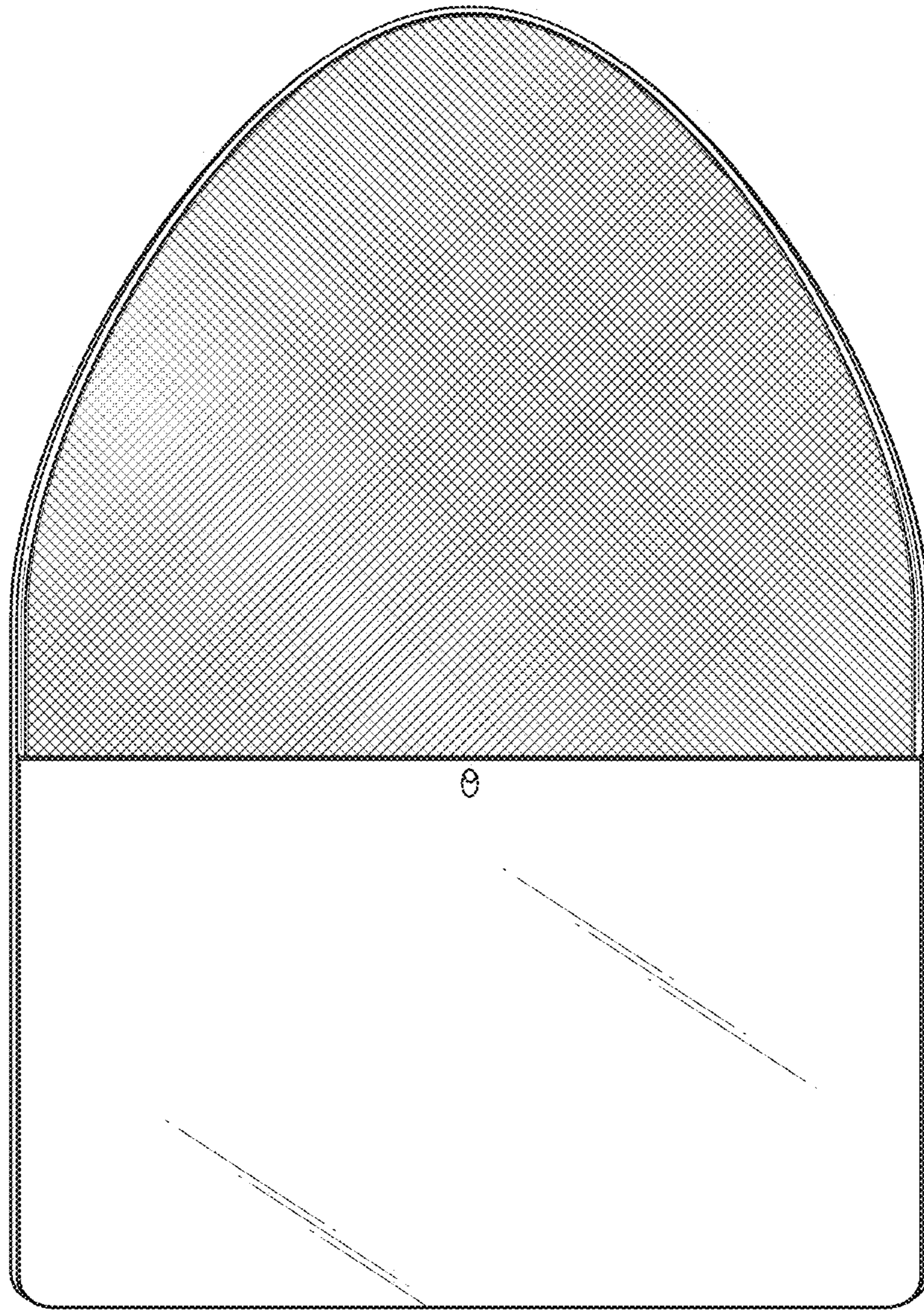


FIG. 7

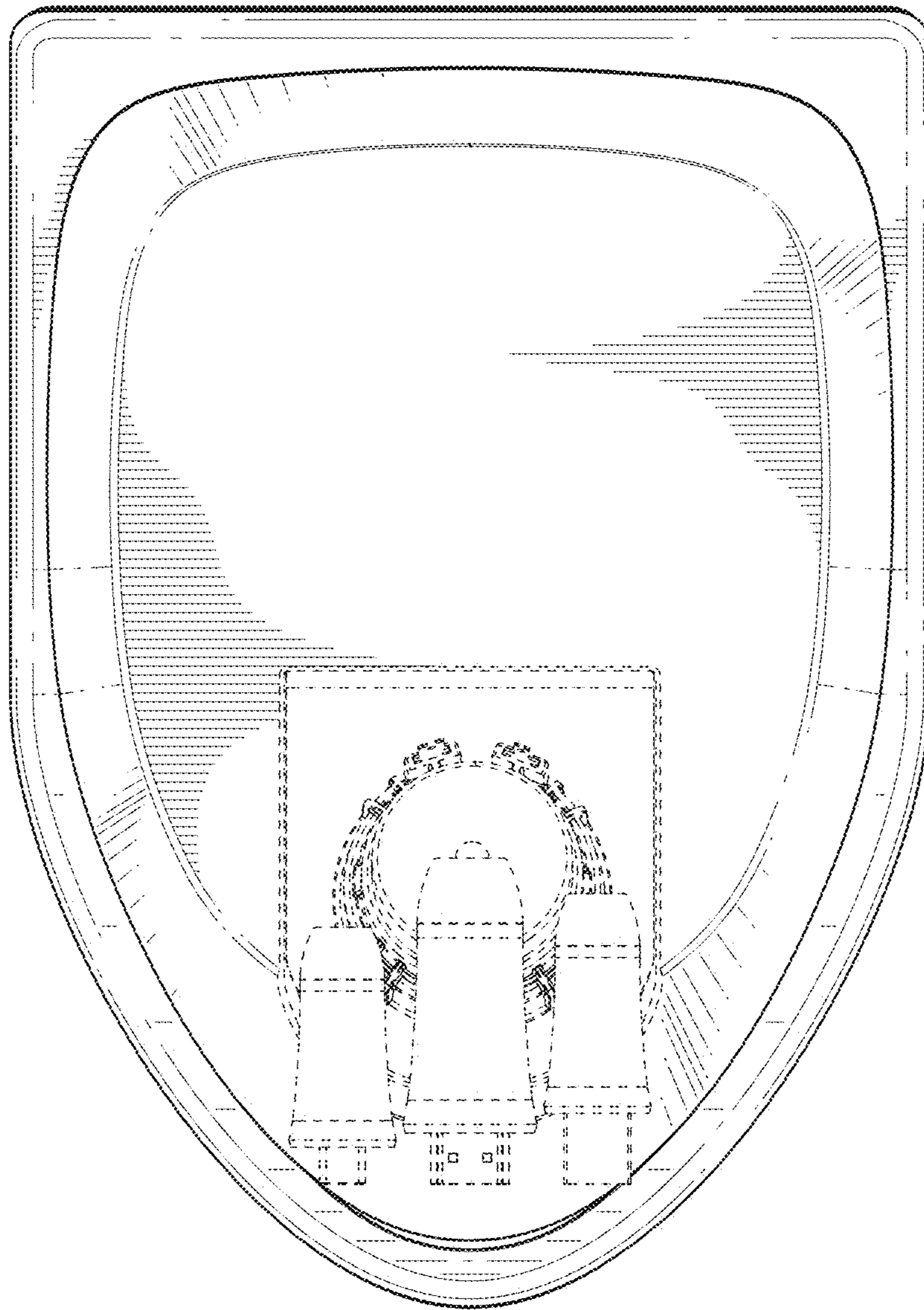


FIG. 8