



US00D902876S

(12) **United States Design Patent**
Matthesen

(10) **Patent No.:** **US D902,876 S**

(45) **Date of Patent:** **** Nov. 24, 2020**

(54) **BED POST**

(71) Applicant: **Vendlet ApS**, Aabenraa (DK)

(72) Inventor: **Søren Hedegaard Matthesen**, Vejle (DK)

(**) Term: **15 Years**

(21) Appl. No.: **35/507,944**

(22) Filed: **Jul. 18, 2019**

(80) **Hague Agreement Data**

Int. Filing Date: **Jul. 18, 2019**

Int. Reg. No.: **DM/204213**

Int. Reg. Date: **Jul. 18, 2019**

Int. Reg. Pub. Date: **Nov. 29, 2019**

(51) **LOC (12) Cl.** **06-06**

(52) **U.S. Cl.**
USPC **D13/181; D6/712**

(58) **Field of Classification Search**
USPC D6/680.2, 712, 681.1, 552, 718; D8/354, D8/377, 301; D25/68, 119, 124, 123, D25/38.1, 60, 136; D32/42; D26/138
CPC E05F 15/635; E06B 1/12; A47G 25/0671; A47C 19/20
See application file for complete search history.

(56) **References Cited**

U.S. PATENT DOCUMENTS

3,316,564	A *	5/1967	Rogers, Jr.	A47C 19/20
					5/9.1
3,475,870	A *	11/1969	Birum, Jr.	E06B 1/12
					52/211
D230,453	S *	2/1974	Harris	D6/718
D376,856	S *	12/1996	DiGiorgio	D25/124
D394,511	S *	5/1998	Dallaire	D25/124
6,216,887	B1 *	4/2001	Soo	A47G 25/0671
					211/189

D535,512	S *	1/2007	Eastman	D6/552
D550,862	S *	9/2007	Brabeck	D25/124
D593,686	S *	6/2009	Campbell	D25/124
D736,956	S *	8/2015	Chaney	D25/124
D771,477	S *	11/2016	Anderson	D8/377
D810,541	S *	2/2018	Amato	D8/301
D815,308	S *	4/2018	Schuit	D25/124
D818,186	S *	5/2018	Trzesniowski	D26/138
D819,835	S *	6/2018	Kligman	D25/136
D820,474	S *	6/2018	Kosonen	D25/119
D821,611	S *	6/2018	Singh	D25/119
D822,228	S *	7/2018	Wang	D25/119
D832,465	S *	10/2018	Hilliaho	D25/119
D833,648	S *	11/2018	Shearer	D25/119
D834,217	S *	11/2018	Lee	D25/124
D834,729	S *	11/2018	Lee	D25/119
D836,216	S *	12/2018	Roberts	D25/124
D841,836	S *	2/2019	Hohwart	E05F 15/635
					D25/119

D843,598	S *	3/2019	Chapman	D25/60
D849,270	S *	5/2019	Singh	D25/119

(Continued)

Primary Examiner — Rhea Shields

(57) **CLAIM**

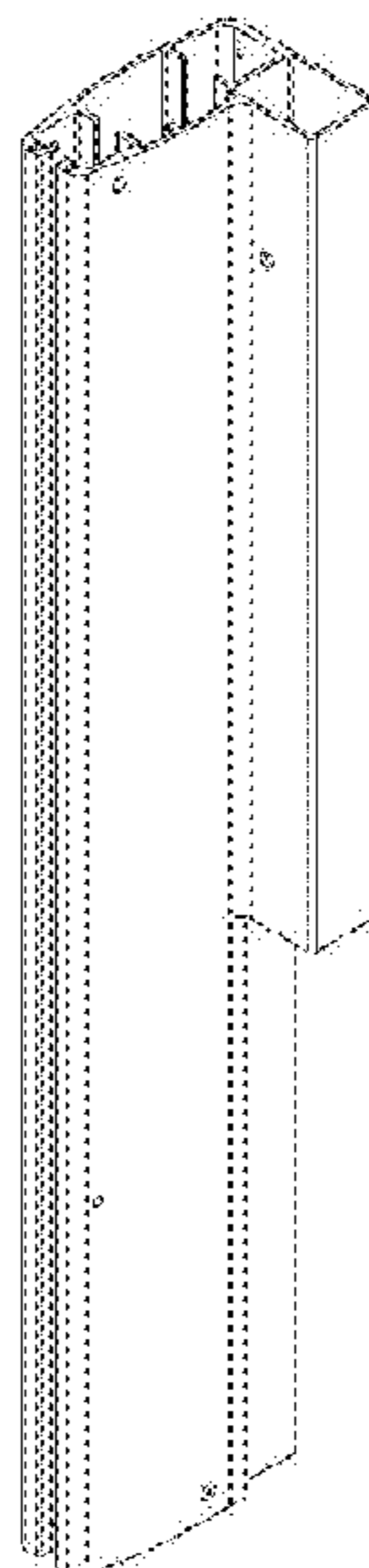
The ornamental design for bed post, as shown and described.

DESCRIPTION

- 1. Bed post
- 1.1 : Perspective
- 1.2 : Front
- 1.3 : Left
- 1.4 : Back
- 1.5 : Right
- 1.6 : Top
- 1.7 : Bottom

Fig. 1.1 is a perspective view of the bed post; fig. 1.2 is a front view of the bed post; fig. 1.3 is a left side view of the bed post; fig. 1.4 is a back view of the bed post; fig. 1.5 is a right side view of the bed post; fig. 1.6 is a top view of the bed post; fig. 1.7 is a bottom view of the bed post.

1 Claim, 7 Drawing Sheets



(56)

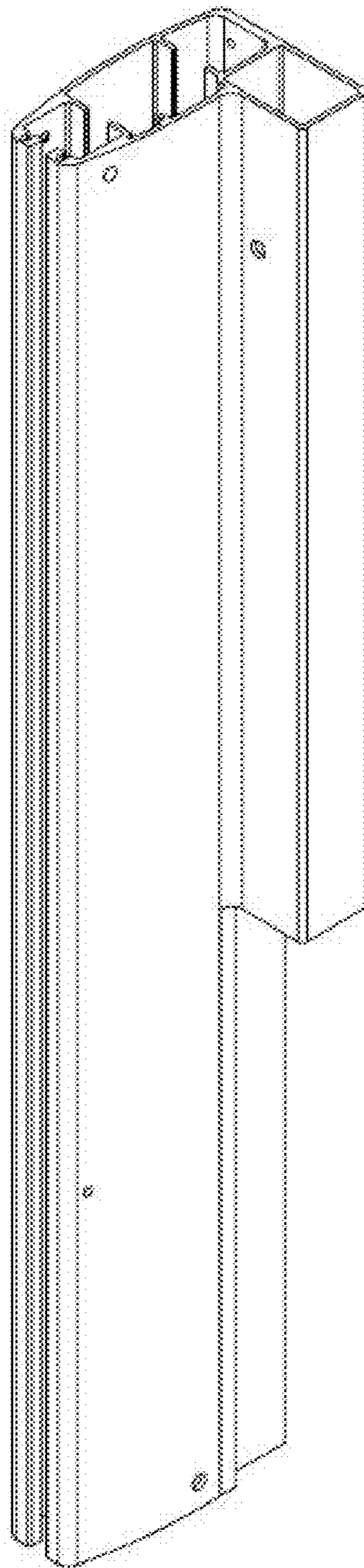
References Cited

U.S. PATENT DOCUMENTS

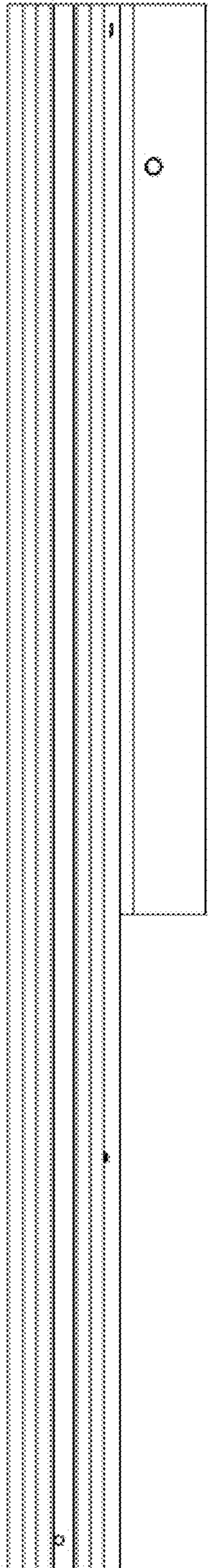
D850,651 S *	6/2019	Ward, Jr.	D25/38.1
D850,657 S *	6/2019	Luvison	D25/123
D854,192 S *	7/2019	Rokvic	D25/124
D857,434 S *	8/2019	Liu	D6/712
D857,924 S *	8/2019	Steen	D25/119
D860,694 S *	9/2019	Wilke	D6/680.2
D869,688 S *	12/2019	Lanzafame	D25/68
D874,903 S *	2/2020	Tao	D8/354
D881,614 S *	4/2020	Wilke	D6/680.2
D885,611 S *	5/2020	Marshall	D25/124
D887,584 S *	6/2020	Marshall	D25/124
D894,647 S *	9/2020	Erebia	D6/681.1

* cited by examiner

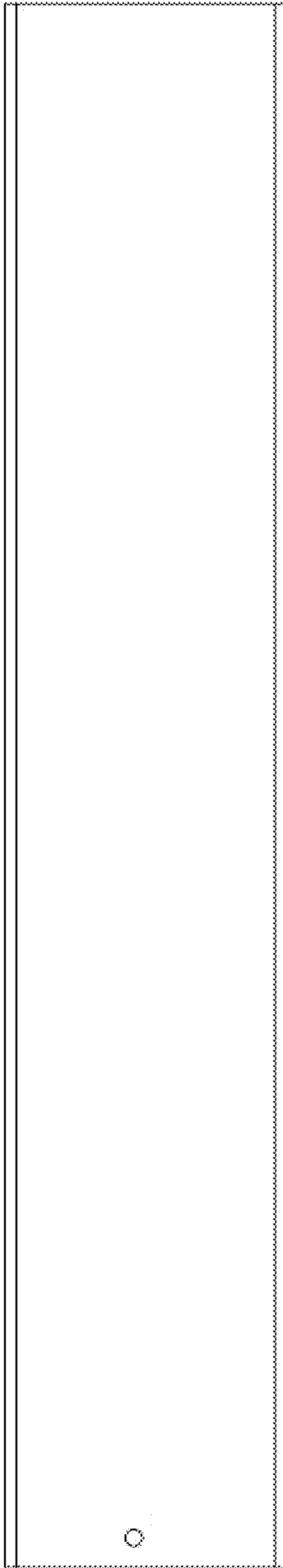
1.1



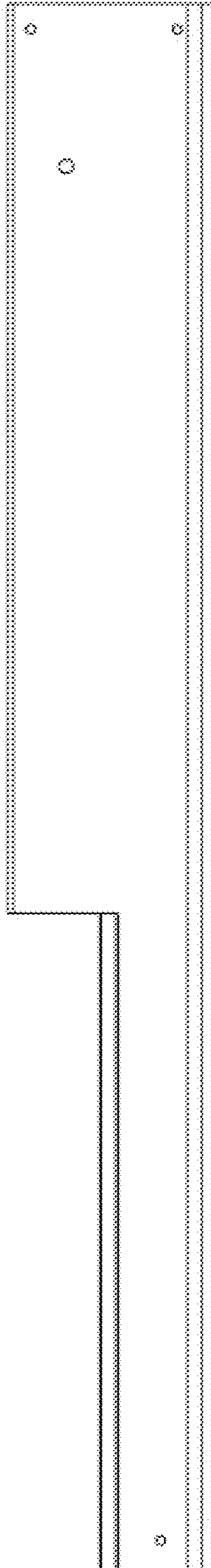
1.2



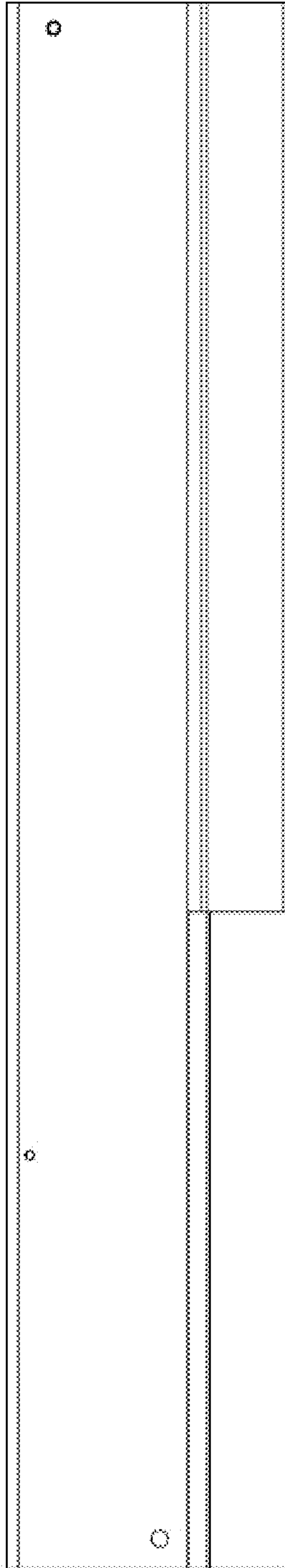
1.3



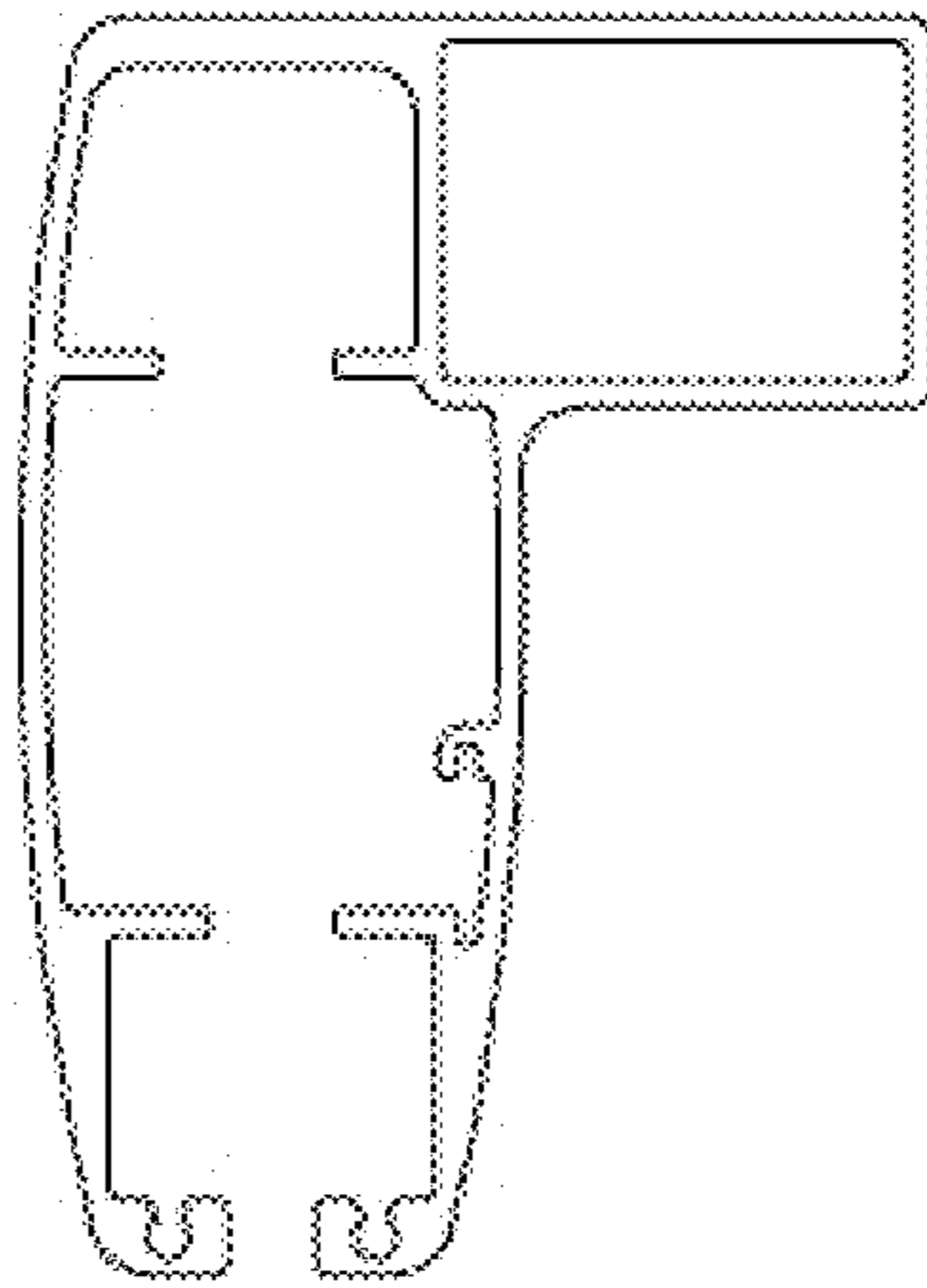
1.4



1.5



1.6



1.7

