



US00D902875S

(12) **United States Design Patent** (10) **Patent No.:** **US D902,875 S**
Funakubo et al. (45) **Date of Patent:** **** *Nov. 24, 2020**

(54) **LIGHT EMITTING DIODE**

H01L 33/20; H01L 33/38; H01L 33/42;
H01L 33/48; H01L 33/483; H01L 33/486

(71) Applicants: **CITIZEN ELECTRONICS CO., LTD.**, Yamanashi (JP); **CITIZEN WATCH CO., LTD.**, Nishitokyo (JP)

See application file for complete search history.

(72) Inventors: **Takuya Funakubo**, Yamanashi (JP); **Takeru Ohmori**, Yamanashi (JP)

(56) **References Cited**

(73) Assignees: **CITIZEN ELECTRONICS CO., LTD.**, Yamanashi (JP); **CITIZEN WATCH CO., LTD.**, Tokyo (JP)

U.S. PATENT DOCUMENTS

709,041 A	9/1902	Percy et al.
7,586,129 B2	9/2009	Hsu et al.
D615,052 S	5/2010	Imai et al.
D669,041 S	10/2012	Imai et al.
D683,708 S	6/2013	Sasano et al.

(Continued)

(*) Notice: This patent is subject to a terminal disclaimer.

FOREIGN PATENT DOCUMENTS

(**) Term: **15 Years**

JP	D1414897	5/2011
JP	D1430595	5/2011
JP	D1414399	12/2011

(21) Appl. No.: **29/663,450**

Primary Examiner — Selina Sikder

(22) Filed: **Sep. 14, 2018**

(74) *Attorney, Agent, or Firm* — Procopio, Cory, Hargreaves & Savitch LLP

Related U.S. Application Data

(60) Continuation of application No. 29/596,052, filed on Mar. 3, 2017, now Pat. No. Des. 834,542, which is a continuation of application No. 29/580,166, filed on Oct. 6, 2016, now Pat. No. Des. 796,457, which is a division of application No. 29/509,865, filed on Nov. 21, 2014, now Pat. No. Des. 771,579.

(57) **CLAIM**

The ornamental design for a light emitting diode, as shown and described.

(30) **Foreign Application Priority Data**

May 26, 2014	(JP)	2014-011193
May 26, 2014	(JP)	2014-011196
May 26, 2014	(JP)	2014-011197

DESCRIPTION

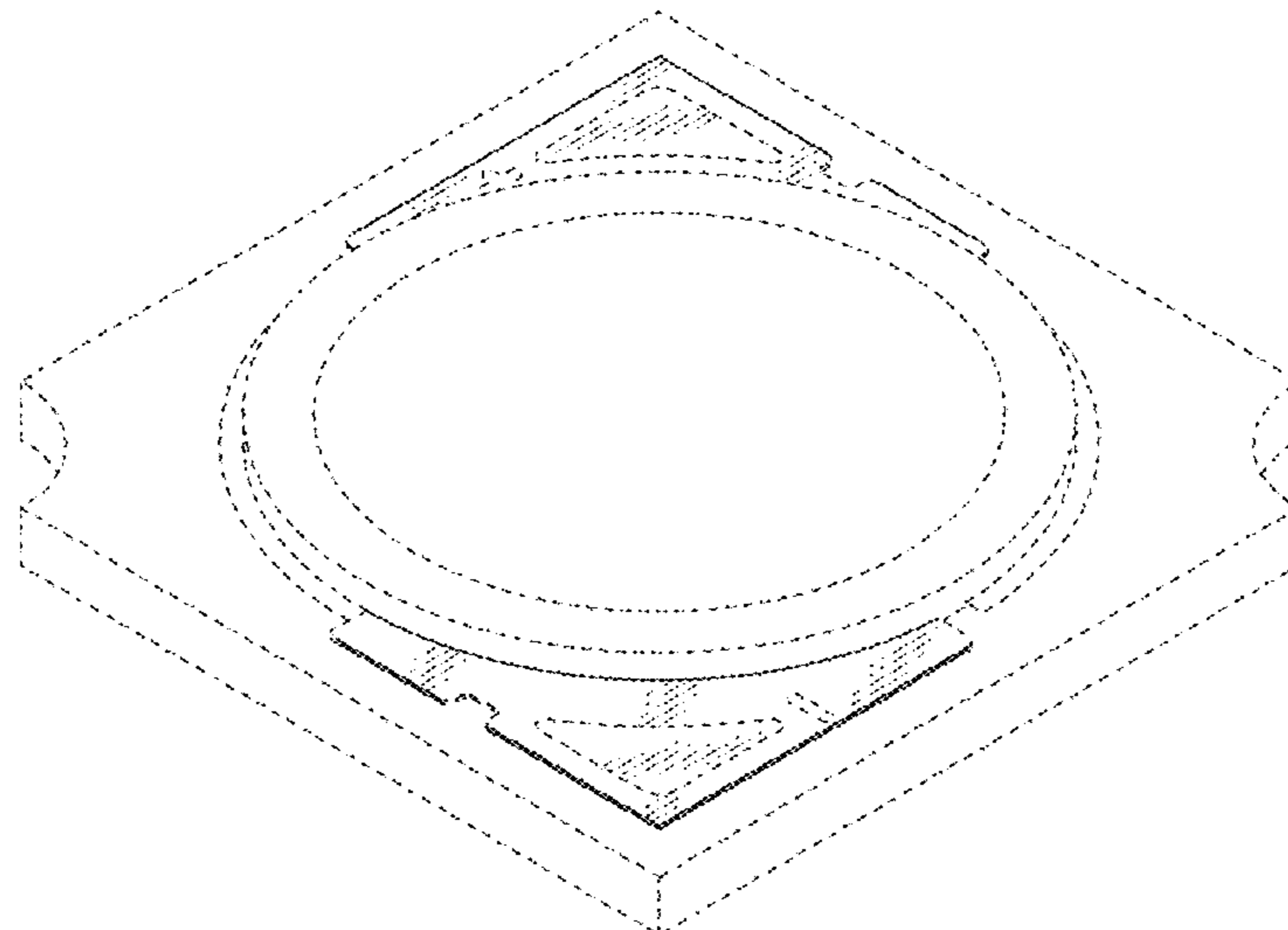
FIG. 1 is a perspective view of an embodiment of a light emitting diode showing our new design;
FIG. 2 is a top plan view thereof;
FIG. 3 is a front view thereof;
FIG. 4 is a rear view thereof;
FIG. 5 is a left side elevational view thereof;
FIG. 6 is a right side elevational view thereof; and,
FIG. 7 is a bottom plan view thereof.
The broken lines in the drawings depict portions of the light emitting diode that form no part the claimed design. The broken lines immediately adjacent to the shaded surfaces form a boundary of the claim.

(51) **LOC (12) Cl.** **13-03**

(52) **U.S. Cl.**
USPC **D13/180**

(58) **Field of Classification Search**
USPC D13/180; D26/1
CPC ... H01L 25/167; H01L 25/0753; H01L 27/15;
H01L 27/156; H01L 31/02; H01L 33/00;
H01L 33/04; H01L 33/08; H01L 33/10;

1 Claim, 5 Drawing Sheets



(56)

References Cited

U.S. PATENT DOCUMENTS

8,476,669	B2	7/2013	Liang et al.	
D689,451	S	9/2013	Shimonishi et al.	
D698,322	S	1/2014	Takeda et al.	
8,632,226	B2	1/2014	Hata et al.	
8,696,159	B2	4/2014	Andrews et al.	
D706,231	S	6/2014	Hussell et al.	
D707,192	S	6/2014	Hussell et al.	
D709,041	S	7/2014	Yu	
8,772,819	B2	7/2014	Hwu et al.	
8,835,931	B2	9/2014	Wirth	
D721,339	S	1/2015	Hussell et al.	
D727,273	S	4/2015	Oka et al.	
9,018,648	B2	4/2015	Chiu et al.	
9,018,832	B2	4/2015	Agatani et al.	
9,024,334	B2	5/2015	Agatani et al.	
9,029,905	B2	5/2015	Lin et al.	
9,057,501	B2	6/2015	Cho	
9,059,376	B2	6/2015	Chou	
9,130,140	B2	9/2015	Tsuchiya et al.	
9,146,026	B2	9/2015	Funakubo	
D750,581	S *	3/2016	Eguchi	D13/180
D771,579	S *	11/2016	Eguchi	D13/180
9,484,512	B2	11/2016	Kawano	
D786,808	S	5/2017	Kayanuma et al.	
D789,308	S	6/2017	Ochiai et al.	
D791,089	S	7/2017	Goto et al.	
D796,457	S *	9/2017	Funakubo	D13/180
2006/0231852	A1	10/2006	Kususe et al.	
2010/0320483	A1	12/2010	Kadotani et al.	
2012/0126257	A1	5/2012	Reiherzer et al.	

* cited by examiner

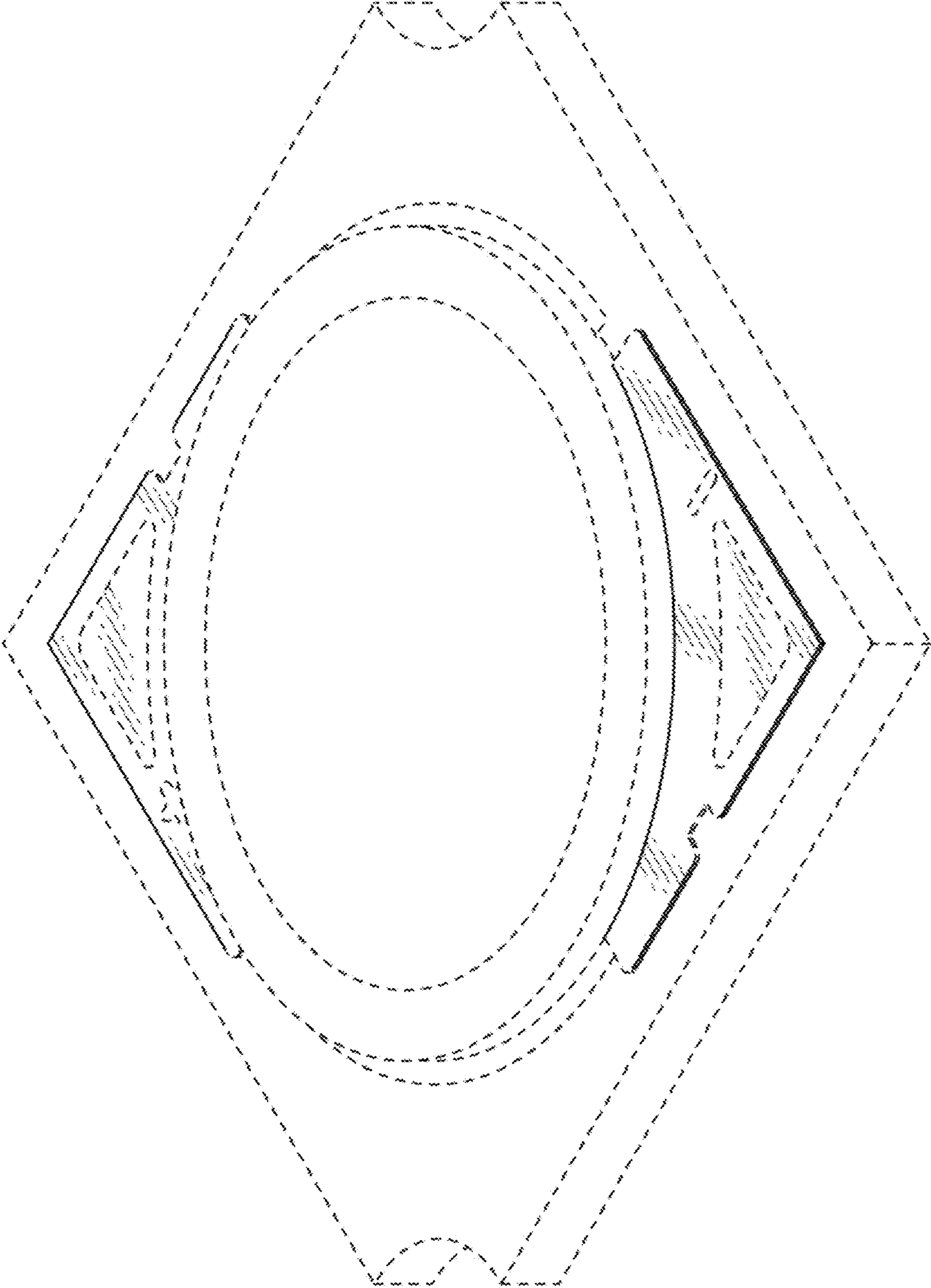


FIG. 1

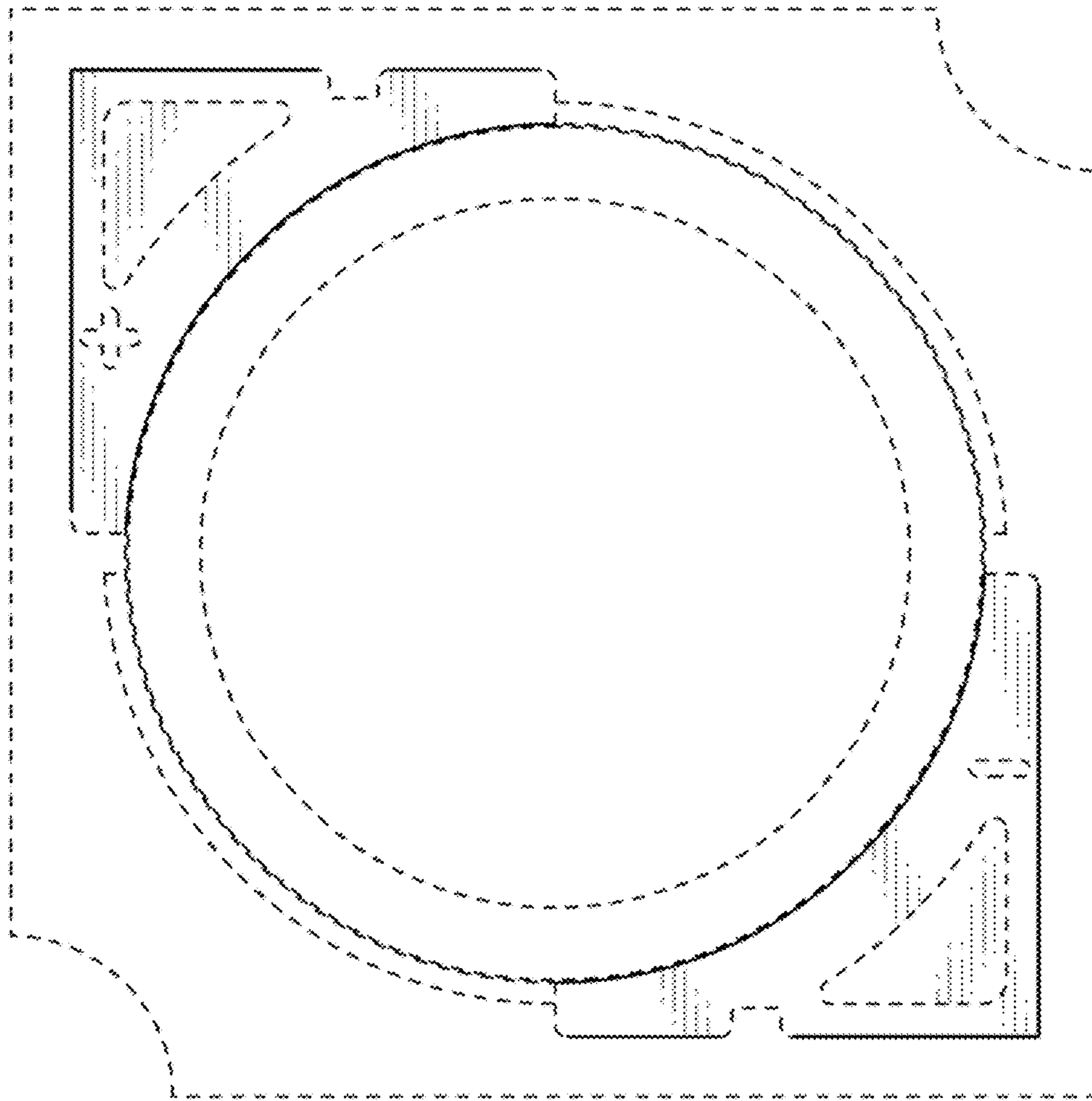


FIG. 2

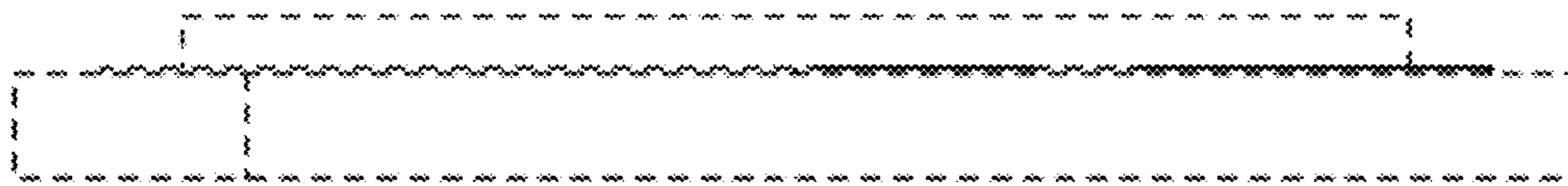


FIG. 3

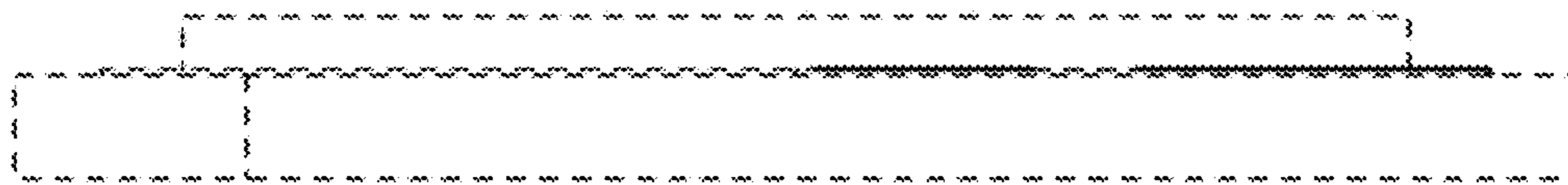


FIG. 4



FIG. 5



FIG. 6

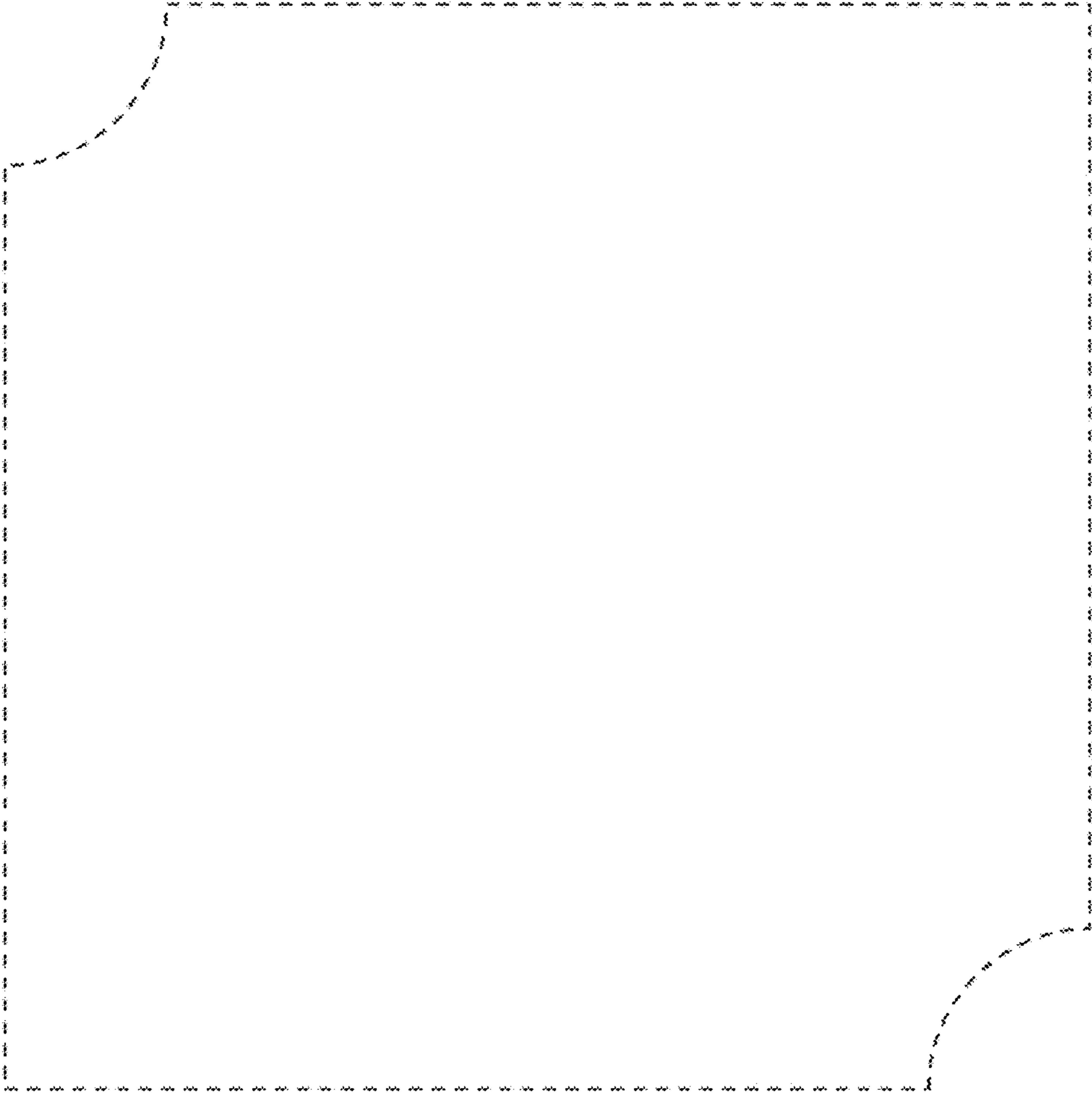


FIG. 7