

US00D902874S

(12) **United States Design Patent** (10) **Patent No.:** **US D902,874 S**
Robinson et al. (45) **Date of Patent:** **** Nov. 24, 2020**

(54) **HEATSINK HOUSING**

(71) Applicant: **Roadmaster, Inc.**, Vancouver, WA (US)
(72) Inventors: **David Robinson**, Vancouver, WA (US);
Ryan Monroe, Gresham, OR (US)
(73) Assignee: **Roadmaster, Inc.**, Vancouver, WA (US)
(**) Term: **15 Years**

(21) Appl. No.: **29/677,466**

(22) Filed: **Jan. 21, 2019**

(51) **LOC (12) Cl.** **13-03**

(52) **U.S. Cl.**
USPC **D13/179**

(58) **Field of Classification Search**
USPC D13/179, 182, 180; D26/113, 138, 141;
D8/394, 354
CPC H05K 7/20409; H05K 7/20418; H05K
7/20509; H05K 7/142; F28F 3/025; F28F
3/00; F28F 3/086

See application file for complete search history.

(56) **References Cited**

U.S. PATENT DOCUMENTS

D218,748 S * 9/1970 Gerald D13/179
D387,333 S * 12/1997 Pellow D13/162
D428,392 S * 7/2000 Mizutani D13/179
D625,463 S * 10/2010 Klus D26/138
7,928,734 B2 * 4/2011 Skinner B60T 17/22
324/418
8,035,964 B2 * 10/2011 Biagini H05K 7/20409
361/690
D704,375 S * 5/2014 Bailey D26/138
D884,259 S * 5/2020 Trzcielinski D26/138

OTHER PUBLICATIONS

Etrailer, "Roadmaster Universal Wiring Kit with Smart Diodes for Variable Voltage Incandescent Tail Lights", first review Jun. 15, 2020. (<https://www.etrailer.com/Tow-Bar-Wiring/Roadmaster/RO94FR.html>) (Year: 2020).*
Ready Brake, "Towed Vehicle Tail Light Wiring Diode Kit", Cached on Mar. 3, 2015. (https://www.readybrake.com/store/p18/Towed_Vehicle_Tail_Light_Wiring_Diode_Kit.html) (Year: 2015).*

* cited by examiner

Primary Examiner — April Rivas

(74) *Attorney, Agent, or Firm* — Erise IP, P.A.

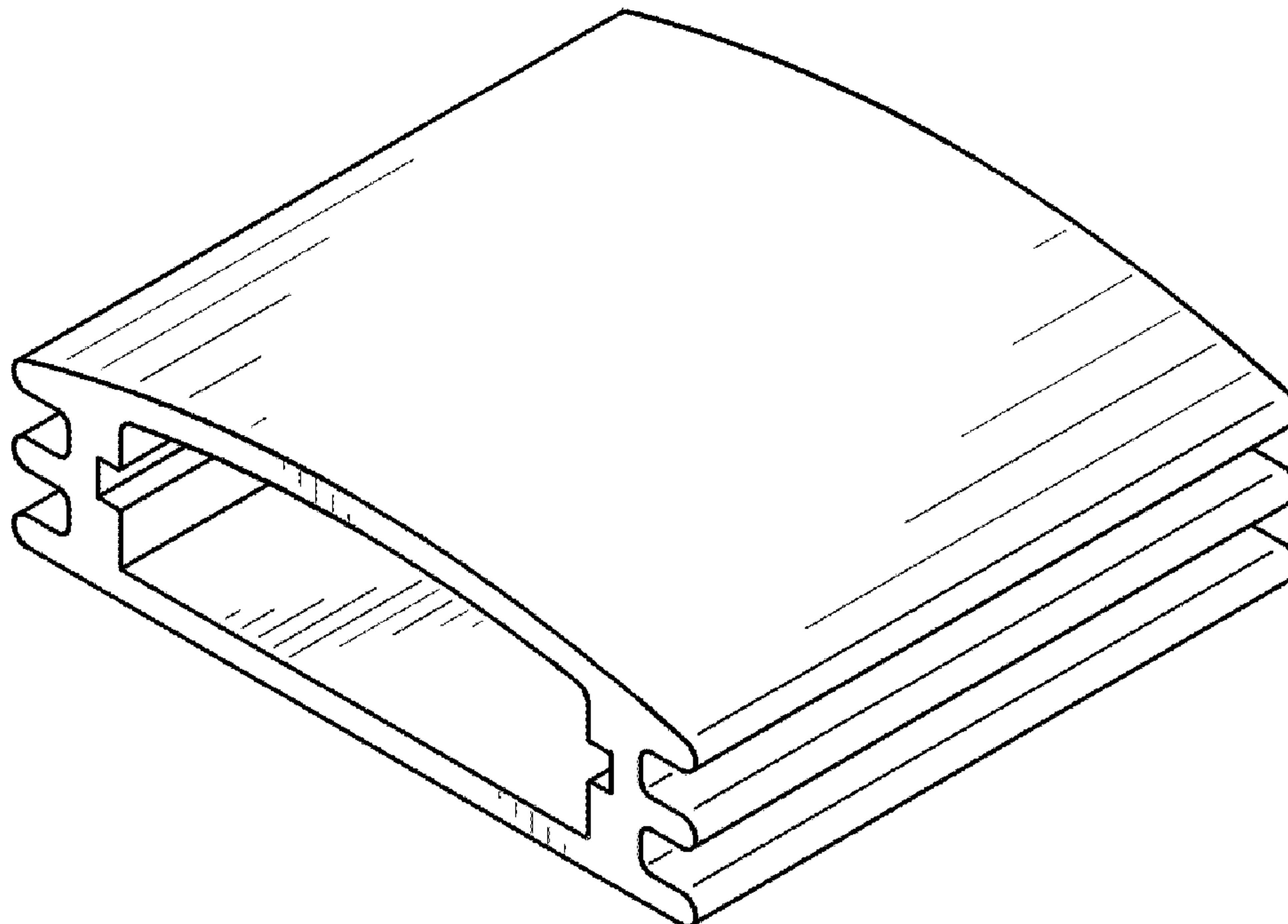
(57) **CLAIM**

The ornamental design for a heatsink housing, as shown and described.

DESCRIPTION

FIG. 1 is a top perspective view of a heatsink housing embodying the design;
FIG. 2 bottom perspective view of a heatsink housing embodying the design;
FIG. 3 is a bottom view thereof;
FIG. 4 is a top view thereof;
FIG. 5 is a front view, the back view being a mirror image thereof; and,
FIG. 6 is a right side view, the left side view being a mirror image thereof.

1 Claim, 3 Drawing Sheets



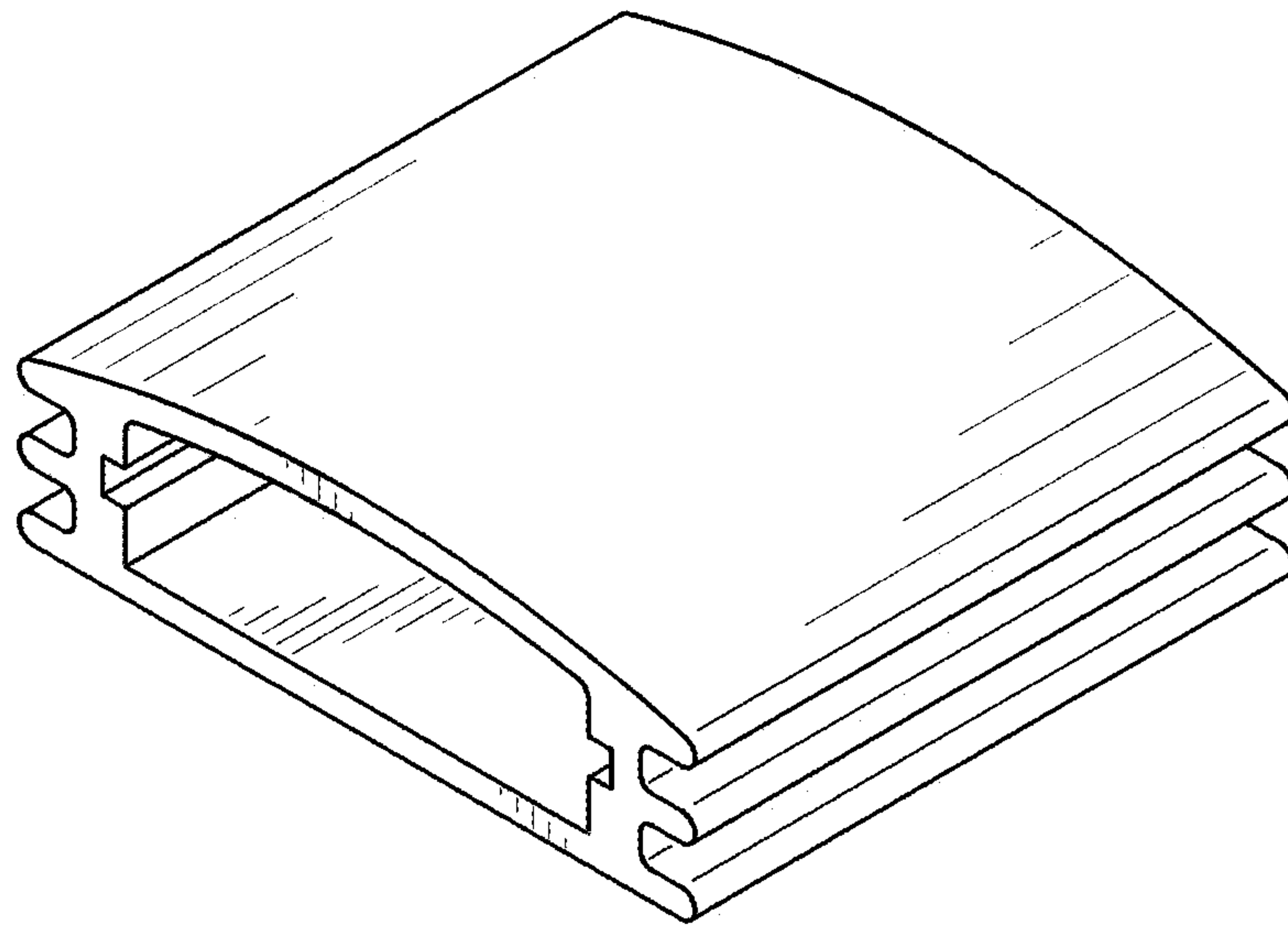


Fig. 1

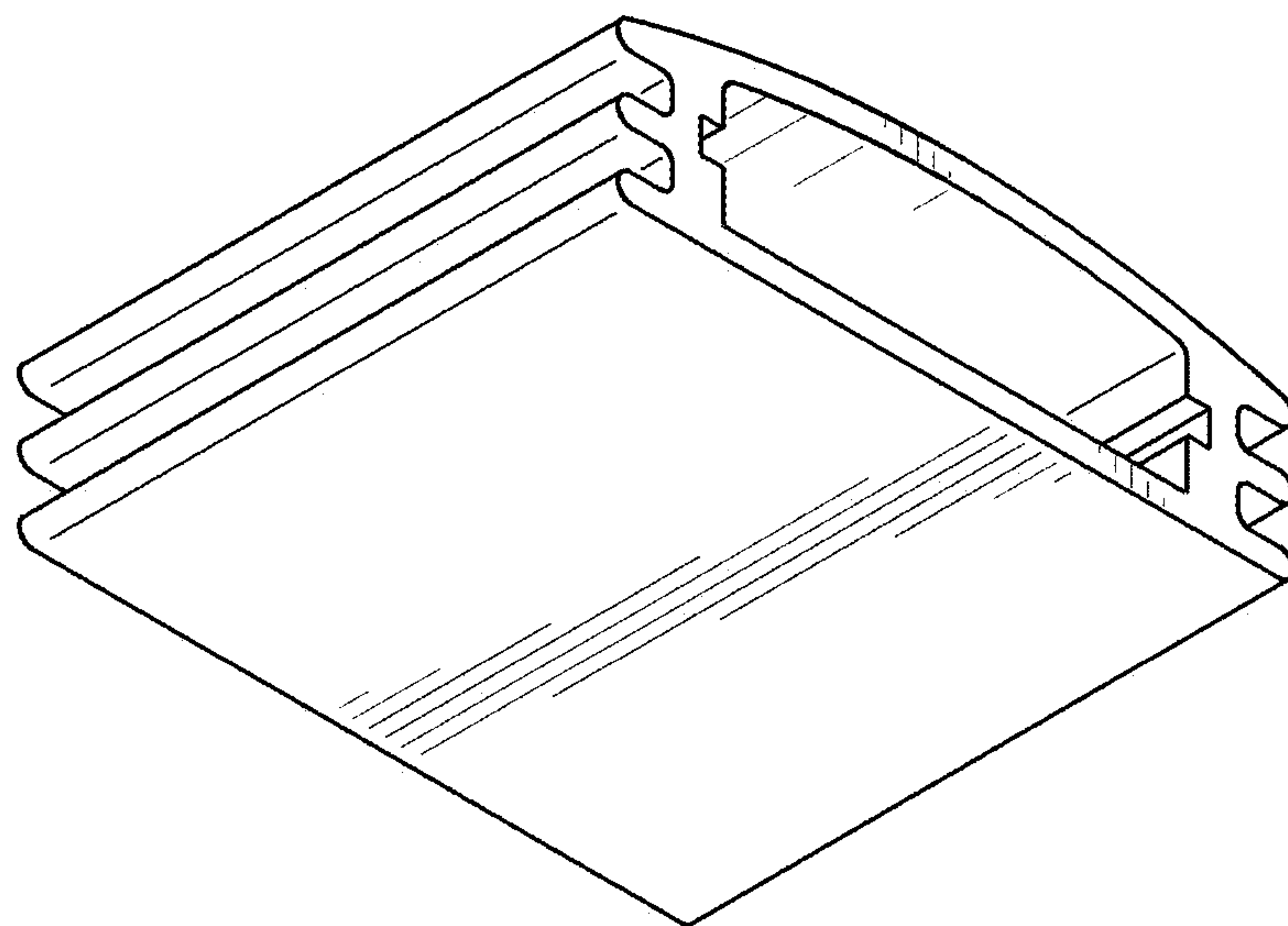


Fig. 2

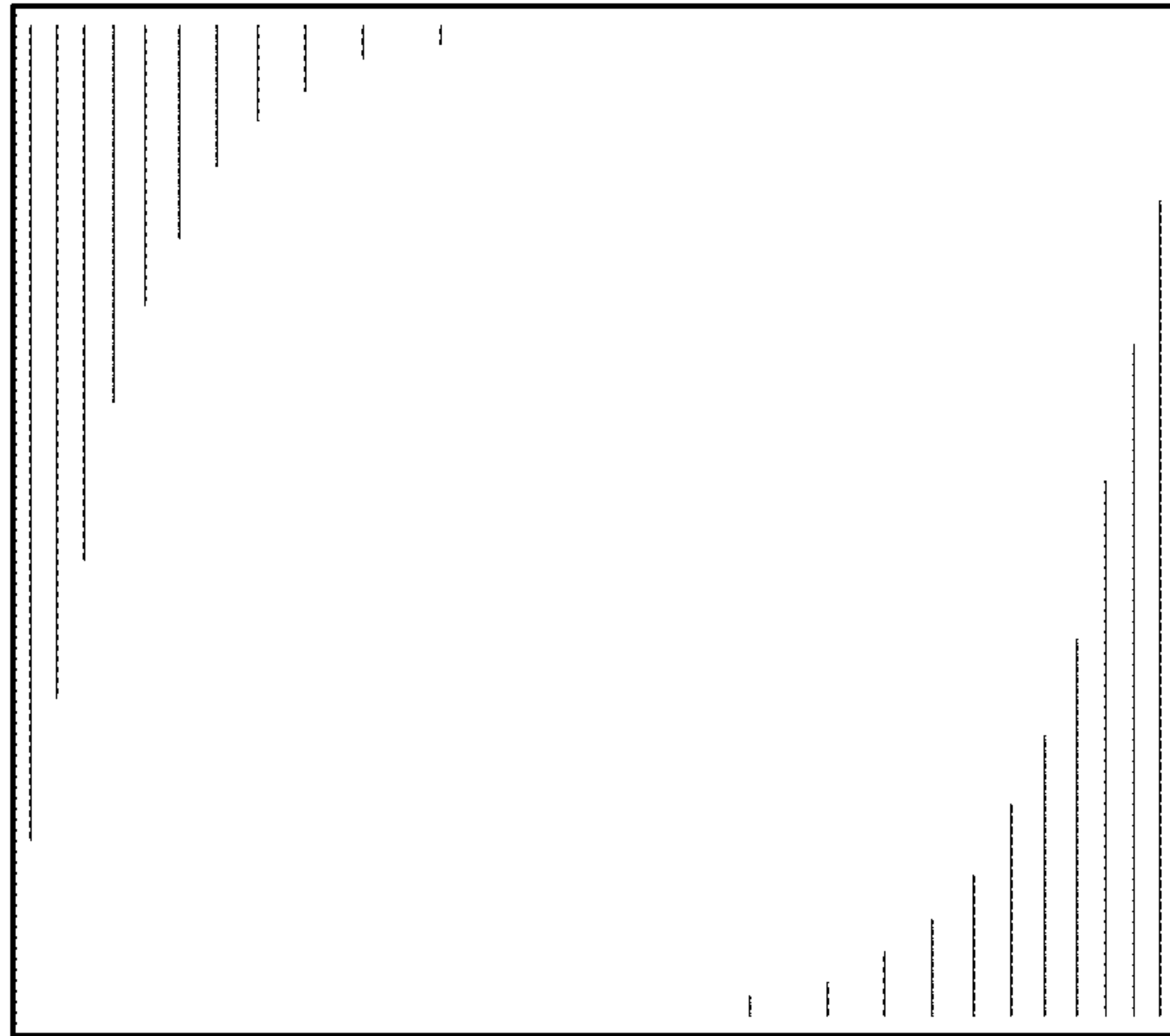


Fig. 3

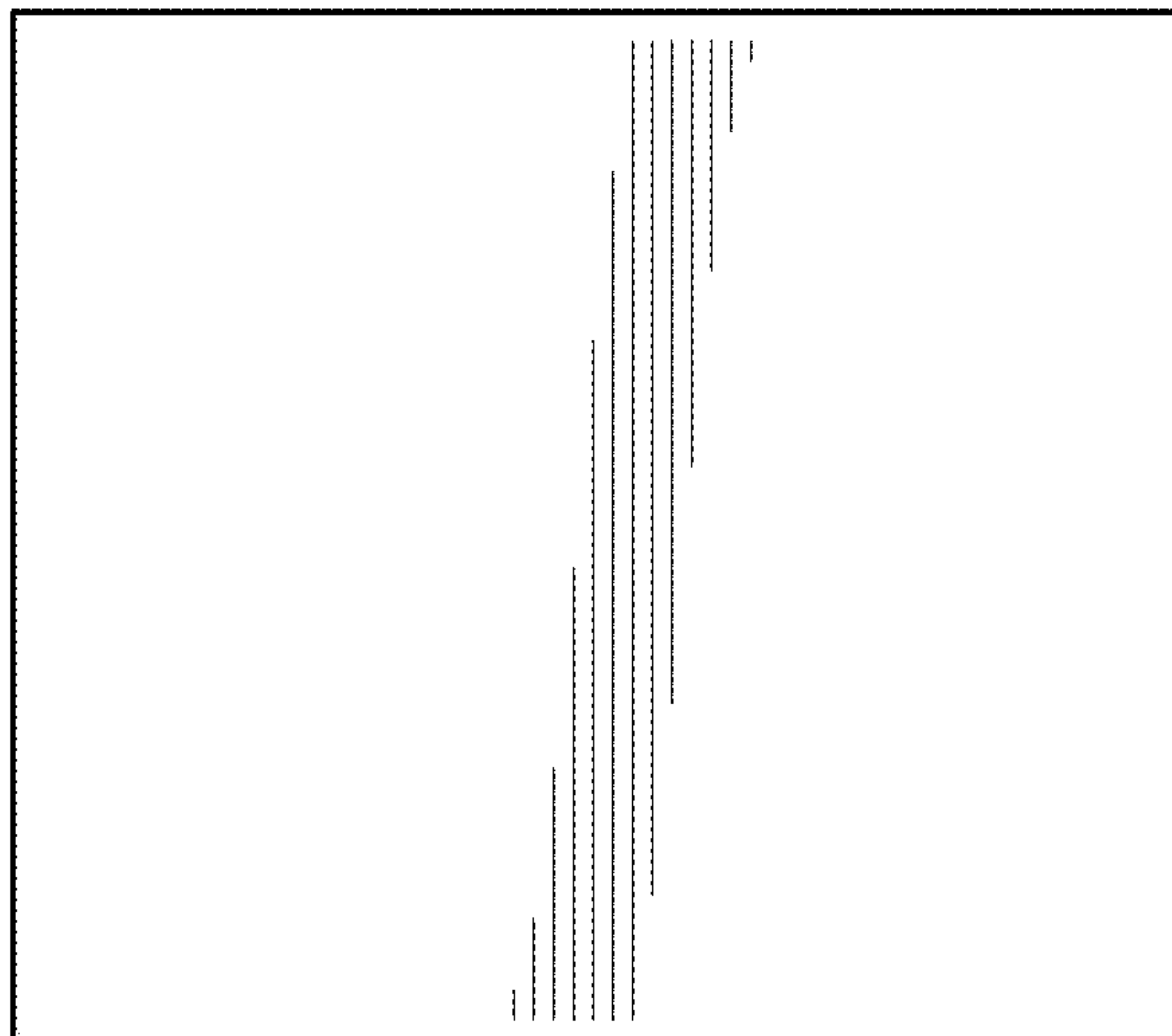


Fig. 4

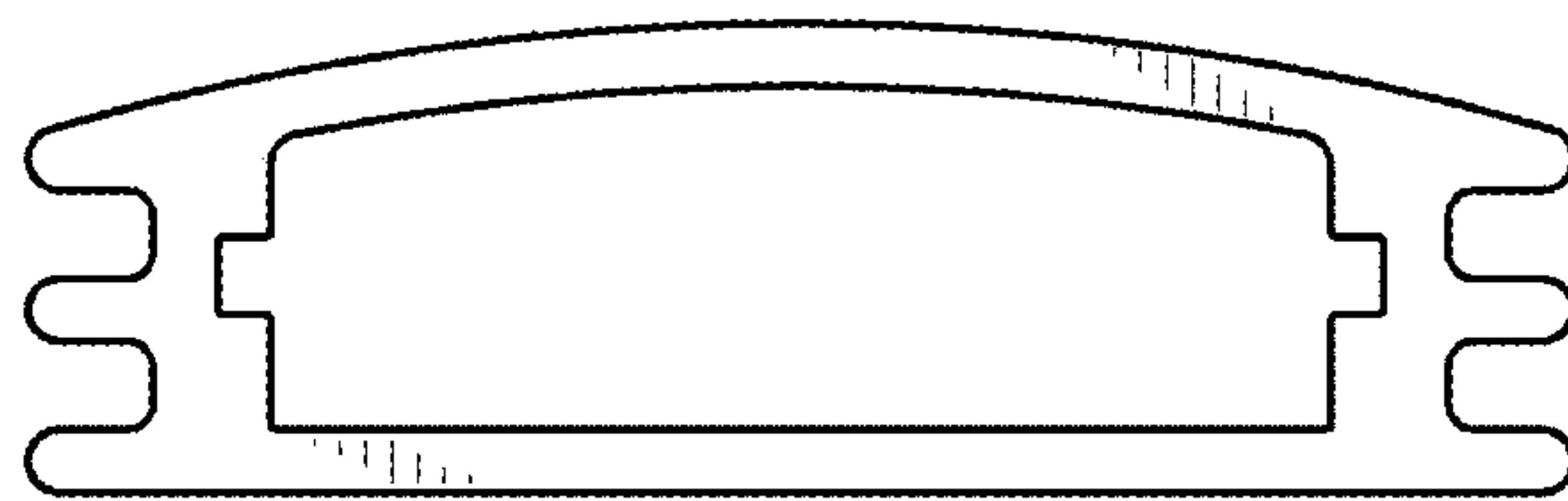


Fig. 5

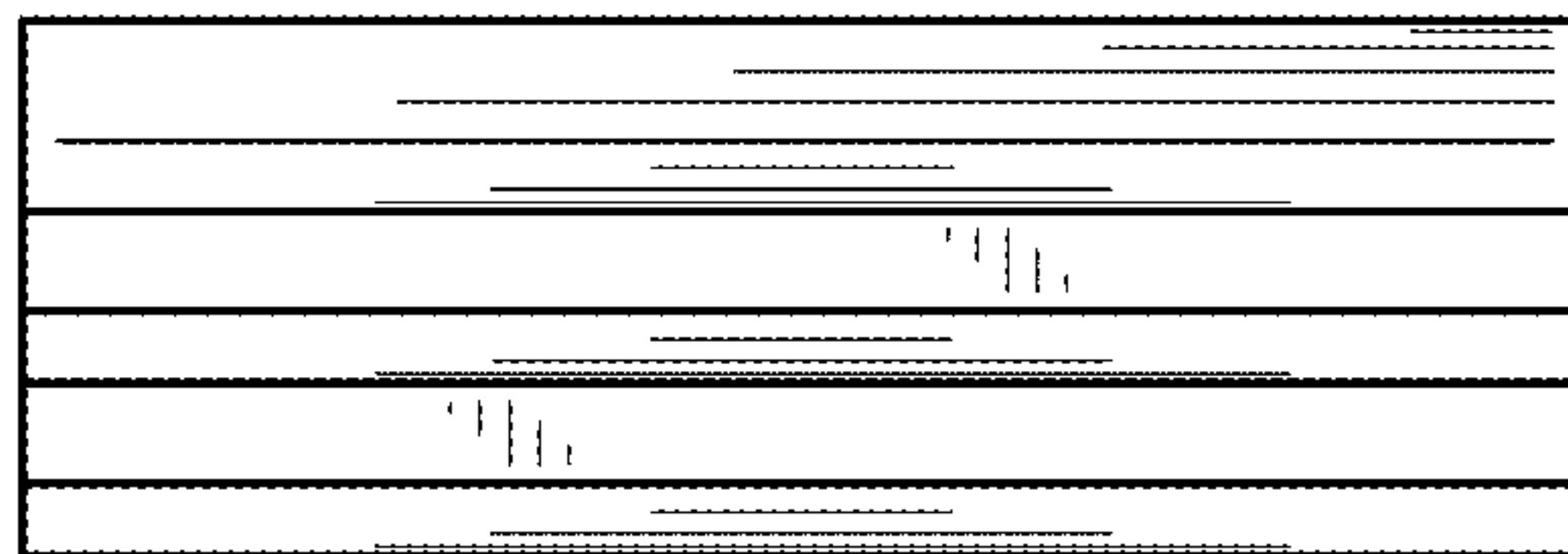


Fig. 6