



US00D902872S

(12) **United States Design Patent** (10) **Patent No.:** **US D902,872 S**
Felsch Von Wild et al. (45) **Date of Patent:** **** Nov. 24, 2020**

(54) **FOOT SWITCH**

(56) **References Cited**

(71) Applicant: **steute Technologies GmbH & Co. KG**,
Loehne (DE)

U.S. PATENT DOCUMENTS

(72) Inventors: **Christian Felsch Von Wild**,
Braunschweig (DE); **Ralf Twellmann**,
Obernkirchen (DE); **Christof**
Gerhardy, Bad Oeynhausen (DE);
Karin Sundmacher, Neustadt am
Ruebenberge (DE)

D319,158	S	*	8/1991	Jones	D6/716
D665,756	S	*	8/2012	Tseng	D13/167
D713,529	S	*	9/2014	Li	D24/158
D766,842	S	*	9/2016	Lewis	D13/167
D790,482	S	*	6/2017	Lazzaro	D13/167
D817,897	S	*	5/2018	Lin	D13/164
D863,233	S	*	10/2019	Oberlaender	D13/167
D863,234	S	*	10/2019	Oberlaender	D13/167
D879,727	S	*	3/2020	Shen	D13/167
2007/0078539	A1	*	4/2007	Kuhner	H01H 3/14 700/90
2008/0229914	A1	*	9/2008	Nathanial	G10H 1/348 84/644
2011/0011708	A1	*	1/2011	Ellafrits	A61B 6/0487 200/86.5
2013/0168212	A1	*	7/2013	Tseng	H01H 13/16 200/86.5
2017/0333105	A1	*	11/2017	Newell	A61B 18/02

(73) Assignee: **steute Technologies GmbH & Co. KG**,
Loehne (DE)

(**) Term: **15 Years**

(21) Appl. No.: **29/690,161**

(22) Filed: **May 6, 2019**

* cited by examiner

(30) **Foreign Application Priority Data**

Nov. 7, 2018 (EM) 005819349

(51) **LOC (12) Cl.** **13-03**

(52) **U.S. Cl.**
USPC **D13/167**

(58) **Field of Classification Search**
USPC D13/164, 167; D15/72; D17/20, 99;
D24/179
CPC G10H 1/0008; G10H 1/0556; G10H 1/32;
G10H 1/34; G10H 1/344; G10H 1/46;
G10H 1/146; G10H 1/348; H01H 211/26;
H01H 13/14; H01H 13/16; A61B
2017/00973

See application file for complete search history.

Primary Examiner — Selina Sikder

(74) *Attorney, Agent, or Firm* — Collard & Roe, P.C.

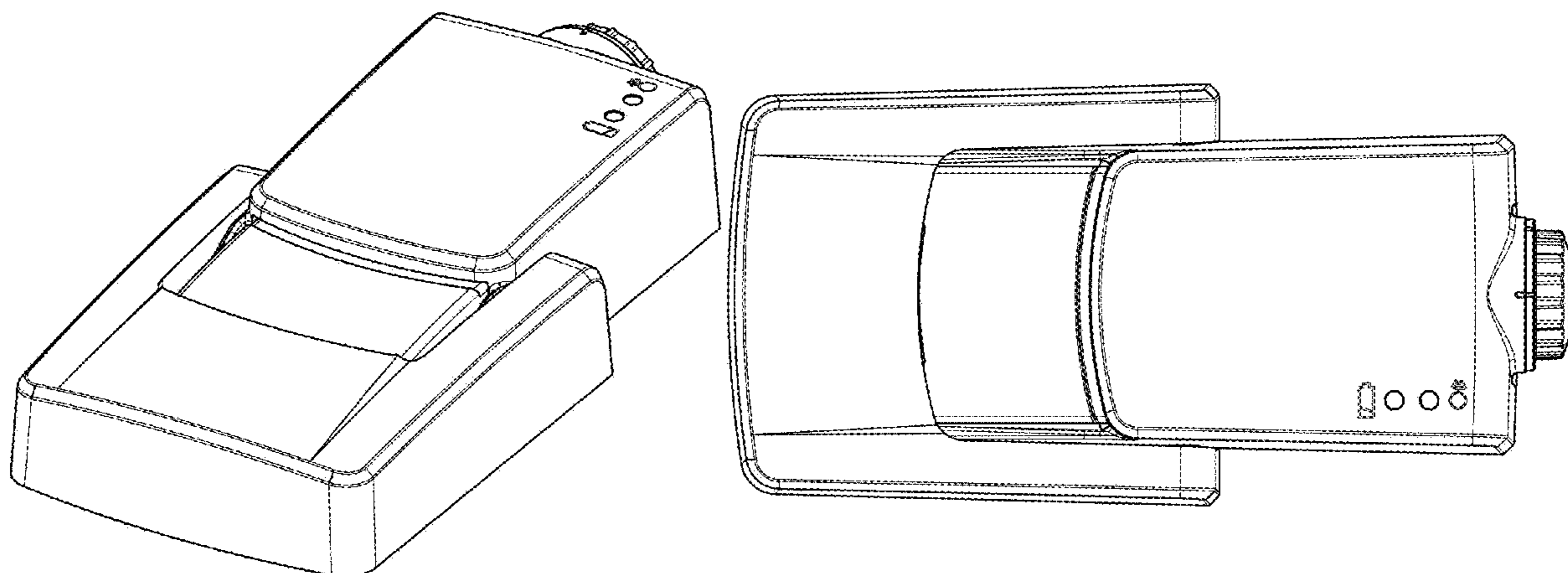
(57) **CLAIM**

The ornamental design for a foot switch, as shown and described.

DESCRIPTION

FIG. 1 is a top, front and right side perspective view of a foot switch, showing our new design;
FIG. 2 is a top view thereof;
FIG. 3 is a bottom view thereof;
FIG. 4 is a right side view thereof;
FIG. 5 is a left side view thereof;
FIG. 6 is a front view thereof; and,
FIG. 7 is a rear view thereof.

1 Claim, 7 Drawing Sheets



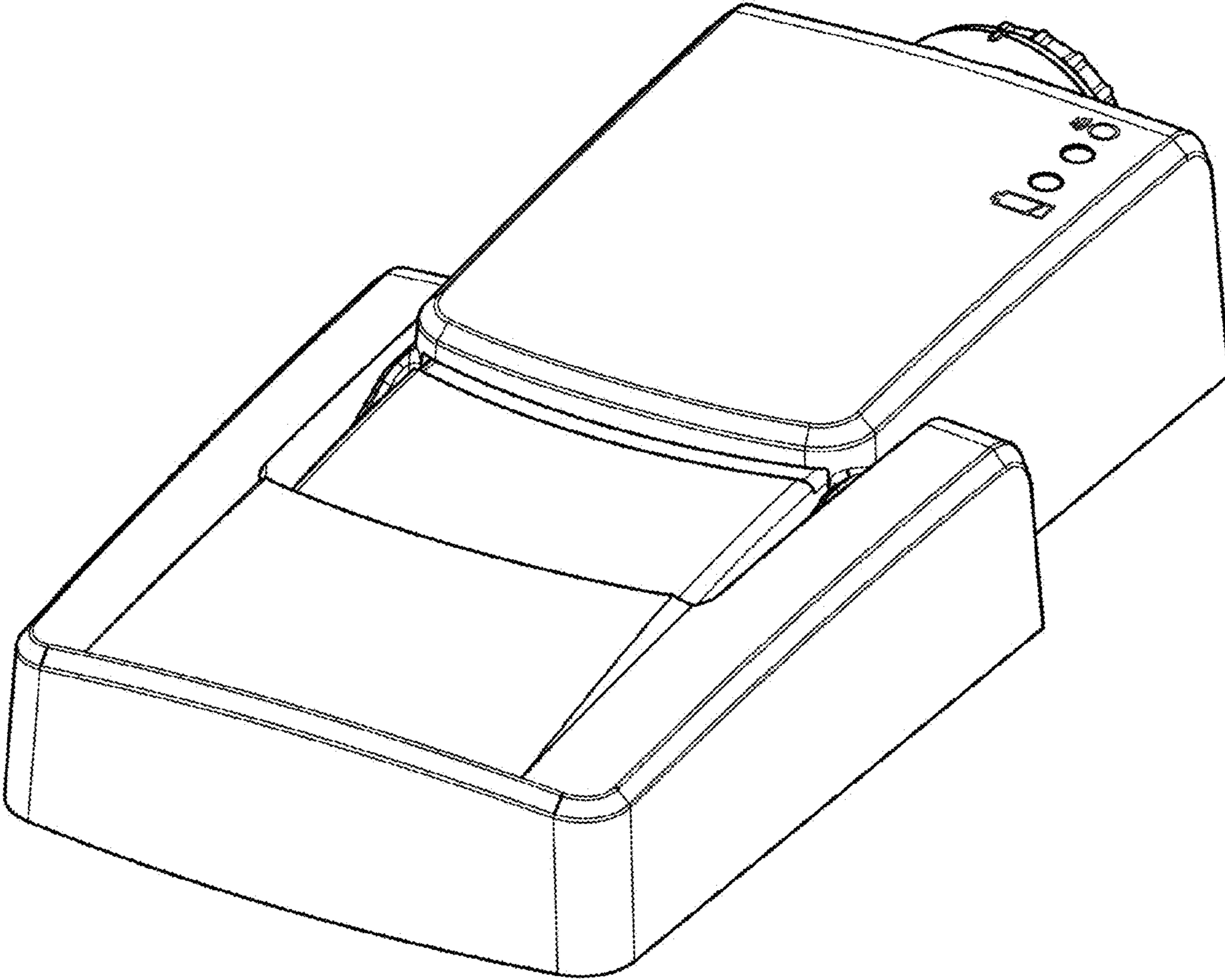


FIG. 1

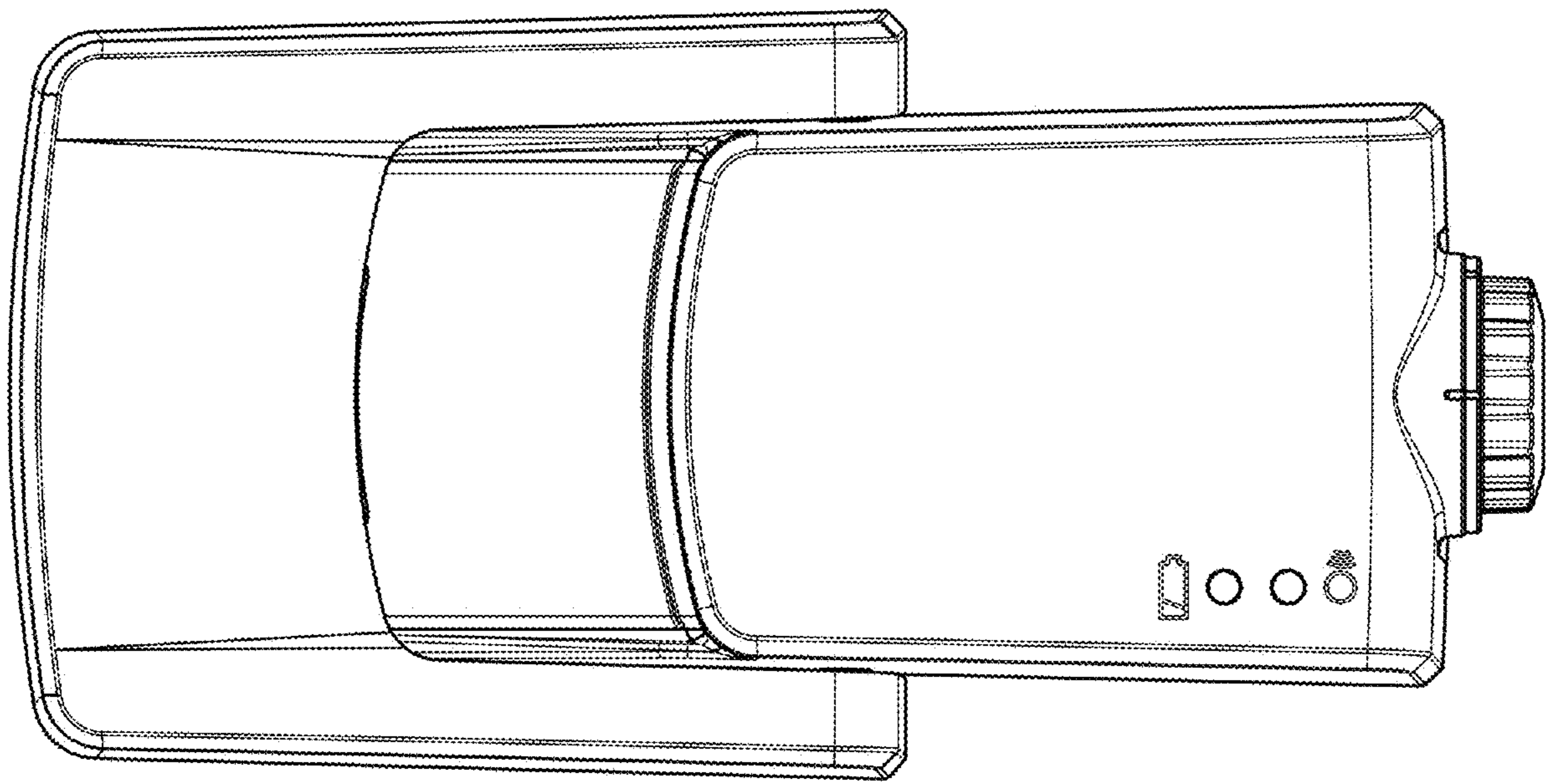


FIG. 2

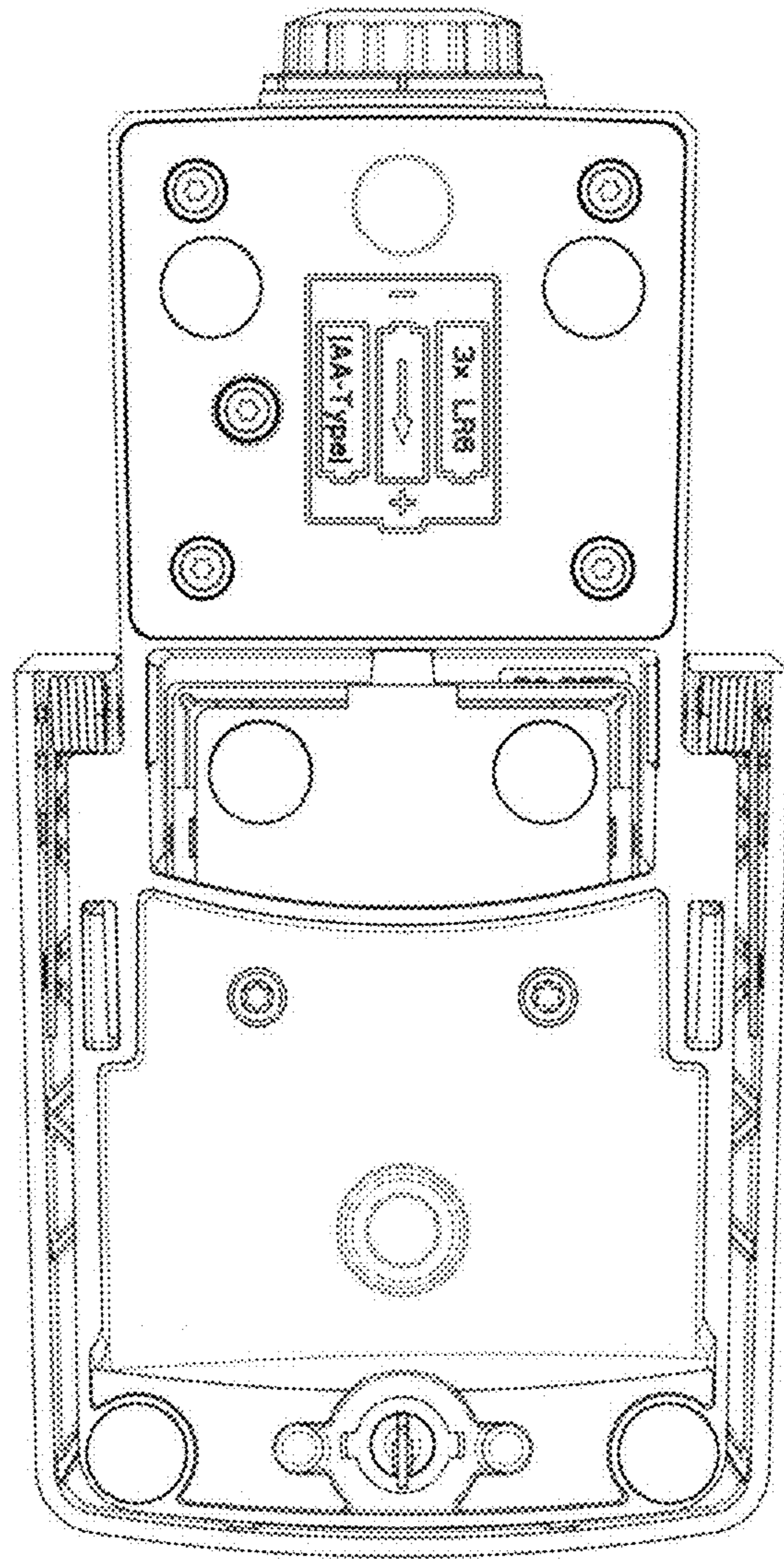


FIG. 3

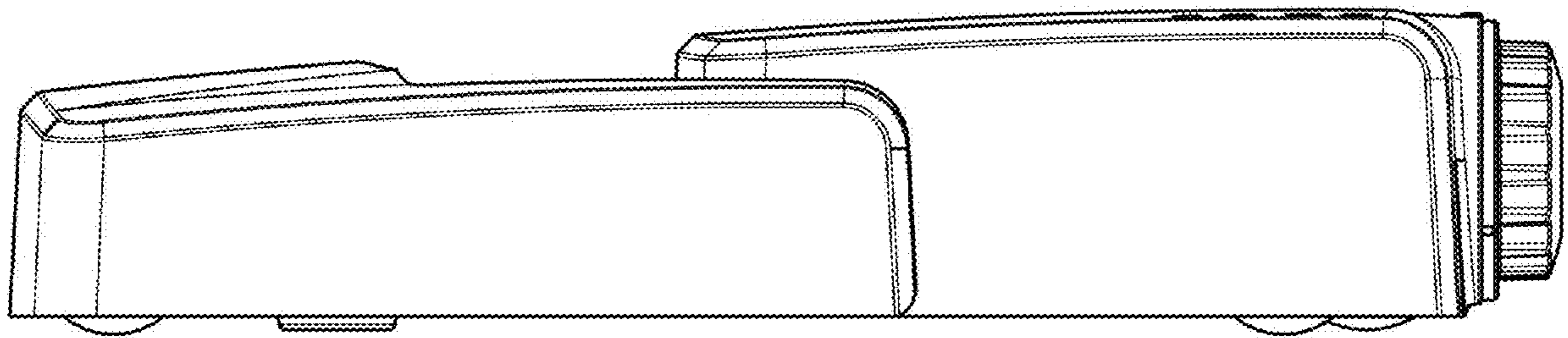


FIG. 4

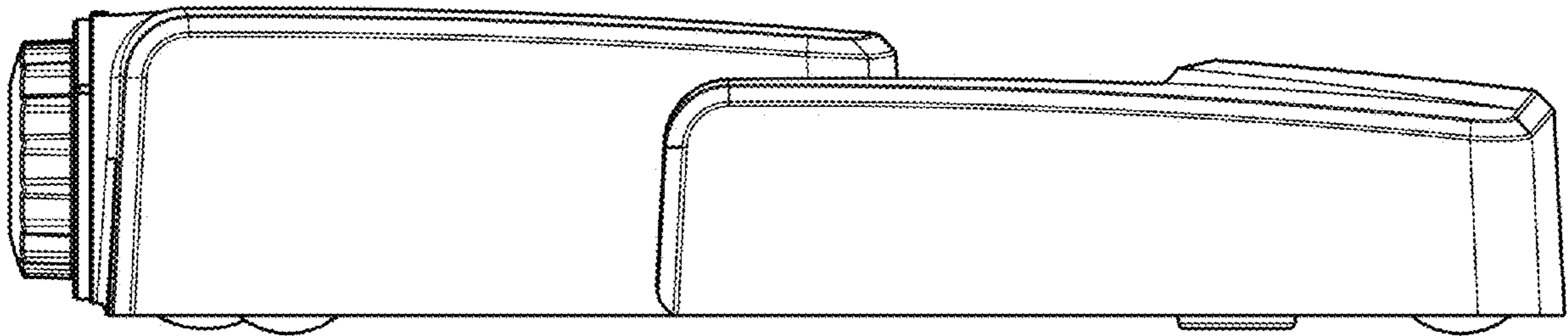


FIG. 5

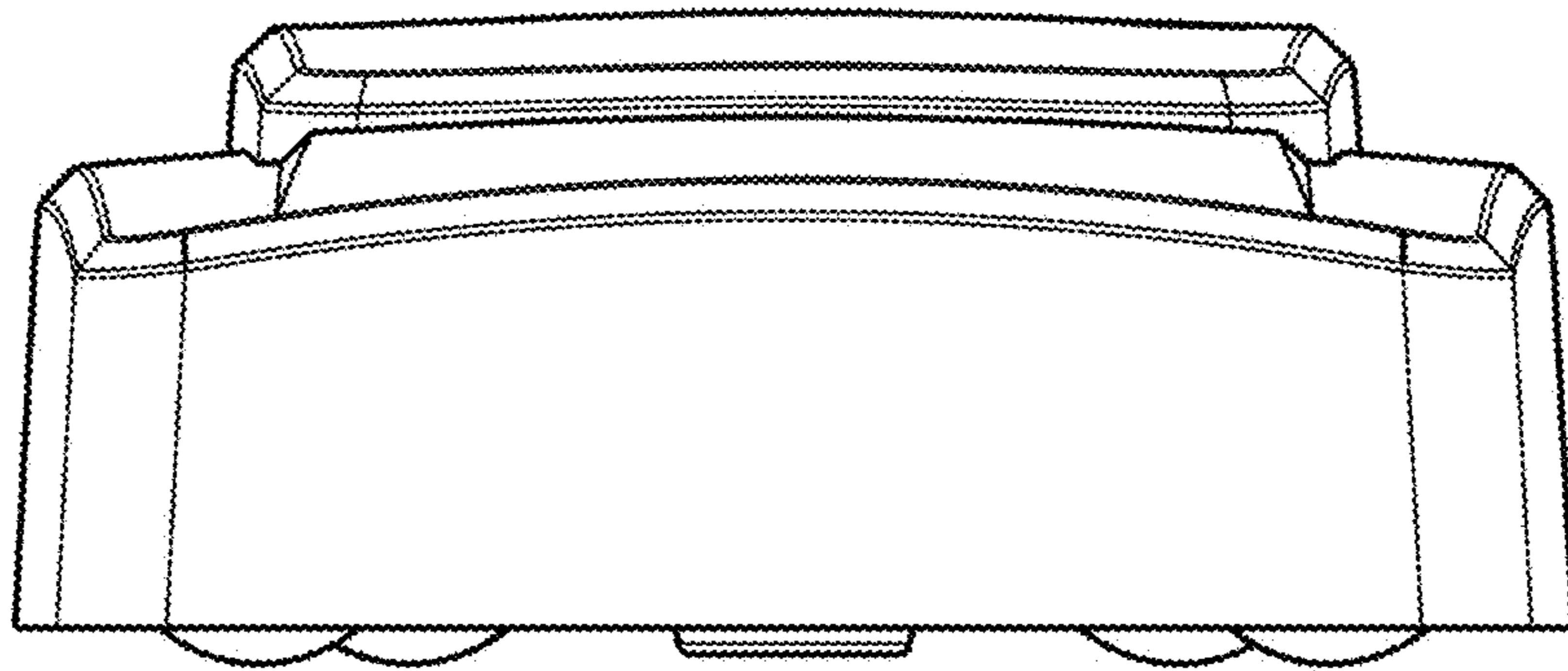


FIG. 6

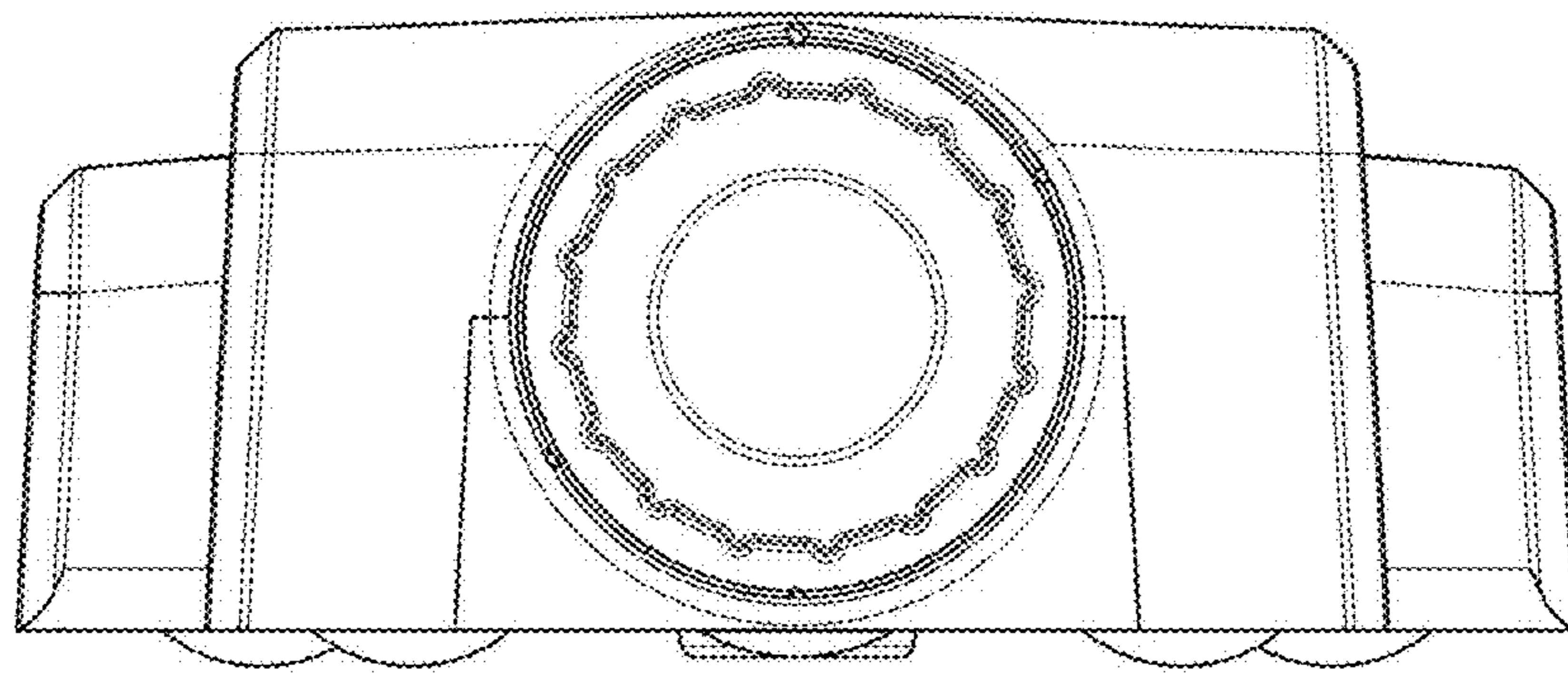


FIG. 7