

US00D902871S

(12) **United States Design Patent** (10) **Patent No.:** **US D902,871 S**
Danesh et al. (45) **Date of Patent:** **** Nov. 24, 2020**

(54) **PLASTIC DEEP ELECTRICAL JUNCTION BOX**

2,197,737 A * 4/1940 Appleton H01R 4/64
174/51

2,352,913 A 7/1944 Morrill
2,528,989 A * 11/1950 Ammells H02G 3/16
174/59

(71) Applicant: **DMF, Inc.**, Carson, CA (US)

(Continued)

(72) Inventors: **Michael D. Danesh**, Carson, CA (US);
Amir Lotfi, Redondo Beach, CA (US);
Ali A. Nikooyan, Santa Ana, CA (US)

FOREIGN PATENT DOCUMENTS

(73) Assignee: **DMF, Inc.**, Carson, CA (US)

CA 2243934 C 6/2002
CA 2502637 A1 9/2005

(Continued)

(**) Term: **15 Years**

OTHER PUBLICATIONS

(21) Appl. No.: **29/683,730**

“Advanced LED Solutions,” Imtra Marine Lighting. 2011. 39 pages.
(Continued)

(22) Filed: **Mar. 15, 2019**

Related U.S. Application Data

Primary Examiner — Rhea Shields

(63) Continuation of application No. 29/653,142, filed on
Jun. 12, 2018.

(74) *Attorney, Agent, or Firm* — Smith Baluch LLP

(51) **LOC (12) Cl.** **13-03**

(57) **CLAIM**

(52) **U.S. Cl.**
USPC **D13/152**

The ornamental design for a plastic deep electrical junction
box, as shown and described.

(58) **Field of Classification Search**

DESCRIPTION

USPC D13/152, 139.1–139.4, 154, 156, 184;
D26/74, 26; D10/104.1, 49
CPC H02G 3/86; H02G 3/126; H02G 3/16;
H02G 3/123; H02G 3/20; H02G 3/125;
F21V 29/004; F21V 7/04; F21S 8/02;
H01R 4/64; F24F 13/02

FIG. 1 is a top plan view for a plastic deep electrical junction
box, showing our new design;
FIG. 2 is a bottom plan view thereof;
FIG. 3 is a rear elevation view thereof, the front elevation
view being a mirror image thereof;
FIG. 4 is a right-side elevation view thereof;
FIG. 5 is a top, rear, right-side perspective view thereof; and,
FIG. 6 is a bottom, front, left-side perspective view thereof.
The dash-dash broken lines in the drawings are for the
purpose of illustrating portions of the plastic deep electrical
junction box that form no part of the claimed design. The
dot-dash-dot broken lines in the drawings are for the purpose
of defining the bounds of the claimed design.

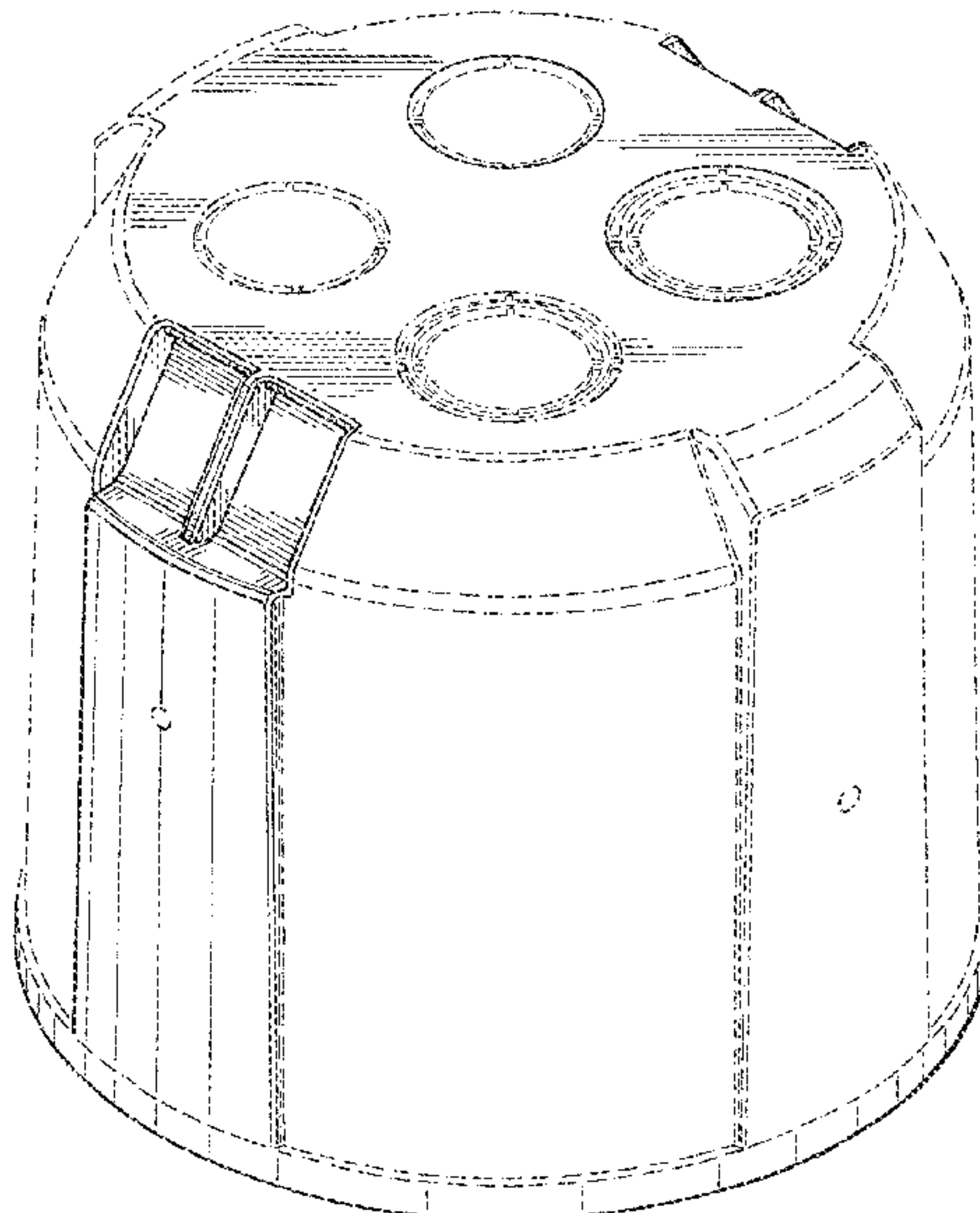
See application file for complete search history.

(56) **References Cited**

U.S. PATENT DOCUMENTS

1,133,535 A 3/1915 Cain et al.
1,471,340 A 10/1923 Knight
1,856,356 A 5/1932 Owen
2,038,784 A 4/1936 Ghadiali
2,179,161 A 11/1939 Rambusch

1 Claim, 6 Drawing Sheets



(56)

References Cited

U.S. PATENT DOCUMENTS

2,597,595 A	5/1952	Ordas		5,975,323 A	11/1999	Turan	
2,642,246 A	6/1953	Larry		6,082,878 A	7/2000	Doubek et al.	
2,670,919 A	3/1954	Vincent		6,105,334 A	8/2000	Monson et al.	
2,697,535 A	12/1954	Olson		6,161,910 A	12/2000	Reisenauer et al.	
2,758,810 A	8/1956	Good		6,170,685 B1	1/2001	Currier	
D180,844 S *	8/1957	Poliakoff	D10/49	6,170,965 B1	1/2001	Kotovskiy	
2,802,933 A	8/1957	Harry		6,174,076 B1	1/2001	Petrakis et al.	
2,998,512 A	8/1961	Duchene et al.		6,176,599 B1	1/2001	Farzen	
3,023,920 A *	3/1962	Cook	H02G 3/123 220/3.6	6,267,491 B1	7/2001	Parrigin	
3,057,993 A	10/1962	Gellert		6,332,597 B1	12/2001	Korcz et al.	
3,104,087 A	9/1963	Joseph et al.		6,350,043 B1	2/2002	Gloisten	
3,422,261 A	1/1969	McGinty		6,350,046 B1	2/2002	Lau	
3,460,299 A	8/1969	Wilson		6,364,511 B1	4/2002	Cohen	
3,650,046 A	3/1972	Skinner		6,375,338 B1	4/2002	Cummings et al.	
3,675,807 A	7/1972	Lund et al.		6,402,112 B1	6/2002	Thomas et al.	
3,700,885 A	10/1972	Bobrick		D461,455 S	8/2002	Forbes	
3,711,053 A	1/1973	Drake		6,461,016 B1	10/2002	Jamison et al.	
D227,989 S	7/1973	Geisel		6,474,846 B1	11/2002	Kelmelis et al.	
3,773,968 A	11/1973	Copp		6,491,413 B1	12/2002	Benesohn	
3,812,342 A	5/1974	Mcnamara		D468,697 S *	1/2003	Straub, Jr.	D13/152
3,836,766 A	9/1974	Auerbach		D470,970 S	2/2003	Huang	
3,874,035 A	4/1975	Schuplin		6,515,313 B1	2/2003	Ibbetson et al.	
3,913,773 A	10/1975	Copp et al.		6,521,833 B1	2/2003	DeFreitas	
D245,905 S *	9/1977	Taylor	D13/152	D471,657 S	3/2003	Huang	
4,088,827 A	5/1978	Kohaut		6,583,573 B2	6/2003	Bierman	
4,154,218 A	5/1979	Hulet		6,585,389 B2	7/2003	Bonazzi	
4,154,219 A	5/1979	Gupta et al.		6,600,175 B1	7/2003	Baretz et al.	
4,176,758 A *	12/1979	Glick	H02G 3/125 174/58	D478,872 S	8/2003	Heggem	
4,280,169 A	7/1981	Allen		6,632,006 B1	10/2003	Rippel et al.	
4,399,497 A	8/1983	Druffel		6,657,236 B1	12/2003	Thibeault et al.	
4,450,512 A	5/1984	Kristofek		6,666,419 B1	12/2003	Vrame	
4,520,435 A	5/1985	Baldwin		D487,600 S	3/2004	Fickas	
4,539,629 A	9/1985	Poppenheimer		D488,583 S	4/2004	Benghozi	
4,601,145 A	7/1986	Wilcox		6,719,438 B2	4/2004	Sevack et al.	
4,667,840 A	5/1987	Lindsey		6,758,578 B1	7/2004	Chou	
4,723,747 A	2/1988	Karp et al.		6,777,615 B1	8/2004	Gretz	
4,729,080 A	3/1988	Fremont et al.		6,779,908 B1	8/2004	Ng	
4,754,377 A *	6/1988	Wenman	F21S 8/02 362/148	6,827,229 B2 *	12/2004	Dinh	H02G 3/20 220/3.3
4,770,311 A	9/1988	Wang		6,838,618 B2	1/2005	Newbold et al.	
4,880,128 A	11/1989	Jorgensen		6,906,352 B2	6/2005	Edmond et al.	
4,910,651 A	3/1990	Montanez		D509,314 S	9/2005	Rashidi	
4,919,292 A	4/1990	Hsu		6,948,829 B2	9/2005	Verdes et al.	
4,929,187 A	5/1990	Hudson et al.		6,958,497 B2	10/2005	Emerson et al.	
4,930,054 A	5/1990	Krebs		6,964,501 B2	11/2005	Ryan	
5,216,203 A	6/1993	Gower		6,967,284 B1	11/2005	Gretz	
5,222,800 A	6/1993	Chan et al.		D516,235 S	2/2006	Rashidi	
5,239,132 A	8/1993	Bartow		7,025,477 B2	4/2006	Blessing	
5,250,269 A	10/1993	Langer et al.		7,064,269 B2	6/2006	Smith	
5,266,050 A	11/1993	O'Neil et al.		D528,673 S	9/2006	Maxik et al.	
5,303,894 A	4/1994	Deschamps et al.		7,102,172 B2	9/2006	Lynch	
5,382,752 A	1/1995	Reyhan et al.		D531,740 S	11/2006	Maxik	
5,420,376 A	5/1995	Rajecki et al.		D532,532 S	11/2006	Maxik	
5,465,199 A	11/1995	Bray et al.		7,148,420 B1	12/2006	Johnson et al.	
5,505,419 A	4/1996	Gabrius		7,148,632 B2	12/2006	Berman et al.	
5,544,870 A	8/1996	Kelly et al.		7,154,040 B1 *	12/2006	Tompkins	H02G 3/126 174/50
5,562,343 A	10/1996	Chan et al.		7,170,015 B1 *	1/2007	Roesch	H02G 3/126 174/480
5,571,993 A	11/1996	Jones et al.		D536,349 S	2/2007	Humber et al.	
5,580,158 A	12/1996	Aubrey et al.		D537,039 S *	2/2007	Pincek	D13/139.4
5,588,737 A	12/1996	Kusmer		D539,229 S	3/2007	Murphey	
5,603,424 A	2/1997	Bordwell et al.		7,186,008 B2	3/2007	Patti	
5,609,408 A	3/1997	Targetti		7,190,126 B1	3/2007	Paton	
5,613,338 A	3/1997	Esposito		7,211,833 B2	5/2007	Slater, Jr. et al.	
D381,111 S	7/1997	Lecluze		7,213,940 B1	5/2007	Van De Ven et al.	
5,662,413 A	9/1997	Akiyama et al.		7,234,674 B2	6/2007	Rippel et al.	
D386,277 S	11/1997	Lecluze		D547,889 S	7/2007	Huang	
5,690,423 A	11/1997	Hentz et al.		D552,969 S	10/2007	Bobrowski et al.	
D387,466 S	12/1997	Lecluze		D553,267 S	10/2007	Yuen	
5,738,436 A	4/1998	Cummings et al.		D555,106 S	11/2007	Pape et al.	
5,836,678 A	11/1998	Wright et al.		D556,144 S	11/2007	Dinh	
5,942,726 A	8/1999	Reiker		7,297,870 B1	11/2007	Sartini	
5,944,412 A	9/1999	Janos et al.		7,312,474 B2	12/2007	Emerson et al.	
5,957,573 A	9/1999	Wedekind et al.		7,320,536 B2	1/2008	Petrakis et al.	
				D561,372 S	2/2008	Yan	
				D561,373 S	2/2008	Yan	
				7,335,920 B2	2/2008	Denbaars et al.	
				D563,896 S *	3/2008	Greenslate	D10/104.1

(56)

References Cited

U.S. PATENT DOCUMENTS

7,347,580 B2	3/2008	Blackman et al.	8,002,425 B2	8/2011	Russo et al.
D570,012 S	5/2008	Huang	D646,011 S	9/2011	Rashidi
7,374,308 B2	5/2008	Sevack et al.	8,013,243 B2	9/2011	Korcz et al.
D570,504 S	6/2008	Maxik et al.	8,038,113 B2	10/2011	Fryzek et al.
D570,505 S	6/2008	Maxik et al.	D648,476 S	11/2011	Choi et al.
7,399,104 B2	7/2008	Rappaport	D648,477 S	11/2011	Kim et al.
7,429,025 B1	9/2008	Gretz	D650,115 S	12/2011	Kim et al.
D578,677 S	10/2008	Huang	8,070,328 B1	12/2011	Knoble et al.
7,431,482 B1	10/2008	Morgan et al.	8,096,670 B2	1/2012	Trott
7,432,440 B2 *	10/2008	Hull H02G 3/126	D654,205 S	2/2012	Rashidi
		174/50	D656,262 S	3/2012	Yoshinobu et al.
7,442,883 B2	10/2008	Jolly et al.	D656,263 S	3/2012	Ogawa et al.
7,446,345 B2	11/2008	Emerson et al.	8,142,057 B2	3/2012	Roos et al.
7,470,048 B2	12/2008	Wu	8,152,334 B2	4/2012	Krogman
7,473,005 B2	1/2009	O'Brien	D658,788 S	5/2012	Dudik et al.
7,488,097 B2	2/2009	Reisenauer et al.	D658,802 S	5/2012	Chen
7,494,258 B2	2/2009	McNaught	D659,862 S	5/2012	Tsai
7,503,145 B2	3/2009	Newbold et al.	D659,879 S	5/2012	Rashidi
7,524,089 B2	4/2009	Park	D660,814 S	5/2012	Wilson
D591,894 S	5/2009	Flank	8,182,116 B2	5/2012	Zhang et al.
7,534,989 B2	5/2009	Suehara et al.	8,201,968 B2	6/2012	Maxik et al.
D596,154 S	7/2009	Rivkin	D663,058 S	7/2012	Pan
7,566,154 B2	7/2009	Gloisten et al.	D663,466 S	7/2012	Rashidi
D599,040 S	8/2009	Alexander et al.	D664,274 S	7/2012	de Visser et al.
D600,836 S	9/2009	Hanley et al.	D664,705 S	7/2012	Kong et al.
7,588,359 B2	9/2009	Coushaine et al.	8,215,805 B2	7/2012	Cogliano et al.
7,592,583 B2	9/2009	Page et al.	8,220,970 B1	7/2012	Khazi et al.
D606,696 S	12/2009	Chen et al.	8,226,270 B2	7/2012	Yamamoto et al.
7,625,105 B1	12/2009	Johnson	8,235,549 B2	8/2012	Gingrich, III et al.
7,628,513 B2	12/2009	Chiu	8,238,050 B2	8/2012	Minano et al.
7,651,238 B2	1/2010	O'Brien	8,240,630 B2	8/2012	Wronski
7,654,705 B2	2/2010	Czech et al.	D667,155 S	9/2012	Rashidi
D611,650 S	3/2010	Broekhoff	8,262,255 B1	9/2012	Rashidi
7,670,021 B2	3/2010	Chou	D668,372 S	10/2012	Renshaw et al.
7,673,841 B2	3/2010	Wronski	D668,809 S	10/2012	Rashidi
7,677,766 B2	3/2010	Boyer	D669,198 S	10/2012	Qui
7,692,182 B2	4/2010	Bergmann et al.	D669,199 S	10/2012	Chuang
7,704,763 B2	4/2010	Fujii et al.	D669,620 S	10/2012	Rashidi
D616,118 S	5/2010	Thomas et al.	8,277,090 B2	10/2012	Fryzek et al.
7,722,208 B1	5/2010	Dupre et al.	D671,668 S	11/2012	Rowlette, Jr. et al.
7,722,227 B2	5/2010	Zhang et al.	8,308,322 B2	11/2012	Santiago et al.
7,735,795 B2	6/2010	Wronski	D672,899 S	12/2012	Ven et al.
7,735,798 B2	6/2010	Kojima	D673,869 S	1/2013	Yu
7,748,887 B2	7/2010	Zampini, II et al.	D676,263 S	2/2013	Birke
7,766,518 B2	8/2010	Pieprgras et al.	D676,814 S *	2/2013	Paul D13/152
7,769,192 B2	8/2010	Takagi et al.	8,376,593 B2	2/2013	Bazydola et al.
7,771,082 B2	8/2010	Peng	D677,417 S	3/2013	Rashidi
7,771,094 B2	8/2010	Goode	D677,634 S *	3/2013	Korcz D13/152
7,784,754 B2	8/2010	Nevers et al.	D679,044 S	3/2013	Jeswani et al.
D624,691 S	9/2010	Zhang et al.	D679,047 S	3/2013	Tickner et al.
D624,692 S	9/2010	Mackin et al.	8,403,533 B1	3/2013	Paulsel
D625,847 S	10/2010	Maglica	8,403,541 B1	3/2013	Rashidi
D625,876 S	10/2010	Chen et al.	D681,259 S	4/2013	Kong
D627,727 S	11/2010	Alexander et al.	8,408,759 B1	4/2013	Rashidi
7,828,465 B2	11/2010	Roberge et al.	D682,459 S	5/2013	Gordin et al.
D629,366 S	12/2010	Ericson et al.	D683,063 S	5/2013	Lopez et al.
7,857,275 B2	12/2010	de la Borbolla	D683,890 S	6/2013	Lopez et al.
7,871,184 B2	1/2011	Peng	D684,269 S	6/2013	Wang et al.
7,874,539 B2	1/2011	Wright et al.	D684,287 S	6/2013	Rashidi
7,874,709 B1	1/2011	Beadle	D684,719 S	6/2013	Rashidi
D633,224 S	2/2011	Lee	D685,118 S	6/2013	Rashidi
D636,903 S	4/2011	Torenbeek	D685,120 S	6/2013	Rashidi
D637,339 S	5/2011	Hasan et al.	8,454,204 B1 *	6/2013	Chang F21V 29/004
D637,340 S	5/2011	Hasan et al.	D685,507 S	7/2013	Sun
7,950,832 B2	5/2011	Tanaka et al.	D687,586 S	8/2013	Rashidi
D639,499 S	6/2011	Choi et al.	D687,587 S	8/2013	Rashidi
D640,819 S	6/2011	Pan	D687,588 S	8/2013	Rashidi
7,956,546 B2	6/2011	Hasnain	D687,980 S	8/2013	Gravely et al.
7,959,332 B2	6/2011	Tickner et al.	D688,405 S	8/2013	Kim et al.
7,967,480 B2	6/2011	Pickard et al.	8,506,127 B2	8/2013	Russello et al.
D642,317 S	7/2011	Rashidi	8,506,134 B2	8/2013	Wilson et al.
7,972,035 B2	7/2011	Boyer	D690,049 S	9/2013	Rashidi
7,972,043 B2	7/2011	Schutte	D690,864 S	10/2013	Rashidi
D642,536 S *	8/2011	Robinson D13/154	D690,865 S	10/2013	Rashidi
D643,970 S	8/2011	Kim et al.	D690,866 S	10/2013	Rashidi
			D691,314 S	10/2013	Rashidi
			D691,315 S	10/2013	Samson
			D691,763 S	10/2013	Hand et al.

(56)

References Cited

U.S. PATENT DOCUMENTS

8,550,669 B2	10/2013	Macwan et al.	9,301,362 B2	3/2016	Dohn et al.
D693,043 S	11/2013	Schmalfuss et al.	D754,078 S *	4/2016	Baldwin D13/156
D693,517 S	11/2013	Davis	D754,079 S *	4/2016	Baldwin D13/156
D694,456 S *	11/2013	Rowlette, Jr. D26/74	D754,605 S	4/2016	McMillan
D695,441 S	12/2013	Lui et al.	9,303,812 B2	4/2016	Green et al.
D695,941 S	12/2013	Rashidi	9,310,038 B2	4/2016	Athalye
D696,446 S	12/2013	Huh	9,310,052 B1	4/2016	Shum
D696,447 S	12/2013	Huh	9,322,543 B2	4/2016	Hussell et al.
D696,448 S	12/2013	Huh	D756,025 S	5/2016	Wronski et al.
8,602,601 B2	12/2013	Khazi et al.	9,347,655 B2	5/2016	Boomgaarden et al.
D698,067 S	1/2014	Rashidi	9,360,190 B1	6/2016	Shum et al.
D698,068 S	1/2014	Rashidi	9,366,418 B2	6/2016	Gifford
8,622,361 B2	1/2014	Wronski	9,371,966 B2	6/2016	Rowlette, Jr. et al.
D698,985 S	2/2014	Lopez et al.	D762,181 S	7/2016	Lin
D699,384 S	2/2014	Rashidi	9,395,051 B2	7/2016	Hussell et al.
D699,687 S *	2/2014	Baldwin D13/156	D762,906 S	8/2016	Jeswani et al.
D700,387 S	2/2014	Snell	D764,079 S *	8/2016	Wu D26/24
8,641,243 B1	2/2014	Rashidi	9,417,506 B1	8/2016	Tirosh
8,659,034 B2	2/2014	Baretz et al.	D766,185 S	9/2016	Hagarty
D701,175 S	3/2014	Baldwin et al.	D767,199 S	9/2016	Wronski et al.
D701,466 S	3/2014	Clifford et al.	9,447,917 B1	9/2016	Wronski et al.
8,672,518 B2	3/2014	Boomgaarden et al.	9,447,953 B2	9/2016	Lawlor
D702,867 S	4/2014	Kim et al.	D768,325 S	10/2016	Xu
D703,843 S	4/2014	Cheng	D768,326 S	10/2016	Guzzini
8,684,569 B2	4/2014	Pickard et al.	D769,501 S	10/2016	Jeswani et al.
D705,472 S	5/2014	Huh	D770,065 S	10/2016	Tittle
8,727,582 B2	5/2014	Brown et al.	9,476,552 B2	10/2016	Myers et al.
D708,381 S	7/2014	Rashidi	9,488,324 B2	11/2016	Shum et al.
8,777,449 B2	7/2014	Ven et al.	D776,324 S	1/2017	Gierl et al.
D710,529 S	8/2014	Lopez et al.	D777,967 S	1/2017	Redfern
8,801,217 B2	8/2014	Oehle et al.	9,534,751 B2	1/2017	Maglica et al.
8,820,985 B1	9/2014	Tam et al.	D778,241 S	2/2017	Holbrook et al.
8,833,013 B2 *	9/2014	Harman F24F 13/02 52/220.8	D778,484 S	2/2017	Guzzini
8,845,144 B1	9/2014	Davies et al.	D779,100 S	2/2017	Redfern
D714,989 S	10/2014	Rowlette, Jr. et al.	9,581,302 B2	2/2017	Danesh
8,870,426 B2	10/2014	Biebl et al.	9,599,315 B1	3/2017	Harpenau et al.
8,888,332 B2	11/2014	Martis et al.	9,605,842 B1	3/2017	Davis
8,890,414 B2	11/2014	Rowlette, Jr. et al.	9,605,910 B2	3/2017	Swedberg et al.
D721,845 S	1/2015	Lui et al.	D785,228 S	4/2017	Guzzini
8,926,133 B2	1/2015	Booth	D786,472 S	5/2017	Redfern
8,939,418 B2	1/2015	Green et al.	D786,474 S	5/2017	Fujisawa
D722,296 S *	2/2015	Taylor D13/152	D788,330 S	5/2017	Johnson et al.
D722,977 S *	2/2015	Hagarty D13/152	D790,102 S *	6/2017	Guzzini D26/74
D722,978 S	2/2015	Hagarty	9,673,597 B2	6/2017	Lee
8,950,898 B2	2/2015	Catalano	9,689,541 B2	6/2017	Wronski
D723,781 S	3/2015	Miner	D791,709 S	7/2017	Holton
D723,783 S	3/2015	Miner	D791,711 S	7/2017	Holton
D725,359 S	3/2015	Miner	D791,712 S	7/2017	Holton
D726,363 S	4/2015	Danesh	9,696,021 B2	7/2017	Wronski
D726,949 S *	4/2015	Redfern D26/74	9,702,516 B1	7/2017	Vasquez et al.
9,004,435 B2	4/2015	Wronski	D795,820 S	8/2017	Wengreen
9,039,254 B2	5/2015	Danesh	9,732,904 B1	8/2017	Wronski
D731,689 S	6/2015	Bernard et al.	9,739,464 B2	8/2017	Wronski
9,062,866 B1	6/2015	Christ et al.	D799,105 S	10/2017	Eder et al.
9,065,264 B2	6/2015	Cooper et al.	D800,957 S	10/2017	Eder et al.
9,068,719 B2	6/2015	Van De Ven et al.	9,791,111 B1	10/2017	Huang et al.
9,068,722 B2	6/2015	Wronski et al.	9,797,562 B2	10/2017	Dabiet et al.
D734,525 S	7/2015	Gordin et al.	9,803,839 B2	10/2017	Visser et al.
D735,012 S	7/2015	Cowie	D805,660 S	12/2017	Creasman et al.
D735,142 S	7/2015	Hagarty	D809,176 S	1/2018	Partington
9,078,299 B2	7/2015	Ashdown	9,860,961 B2	1/2018	Chemel et al.
9,109,760 B2	8/2015	Shum et al.	9,863,619 B2	1/2018	Mak
D739,355 S	9/2015	D'Aubeterre	D809,465 S *	2/2018	Keirstead D13/152
D739,590 S	9/2015	Redfern	9,964,266 B2	5/2018	Danesh
9,140,441 B2	9/2015	Goelz et al.	D820,494 S	6/2018	Cohen
D742,325 S	10/2015	Leung	D821,615 S	6/2018	Trice
9,151,457 B2	10/2015	Pickard et al.	D821,627 S	6/2018	Ko
9,151,477 B2	10/2015	Pickard et al.	9,995,441 B2	6/2018	Power et al.
D744,723 S	12/2015	Yoo	D822,505 S	7/2018	Gibson et al.
9,217,560 B2	12/2015	Harbers et al.	D824,494 S	7/2018	Martins et al.
9,222,661 B2	12/2015	Kim et al.	D825,829 S	8/2018	Guo
9,239,131 B1	1/2016	Wronski et al.	10,041,638 B2	8/2018	Vasquez et al.
9,285,103 B2	3/2016	Van De Ven et al.	D832,218 S *	10/2018	Wronski D13/152
9,291,319 B2	3/2016	Kathawate et al.	D833,977 S	11/2018	Danesh et al.
			10,125,959 B2	11/2018	Cohen
			10,139,059 B2	11/2018	Danesh
			D836,976 S	1/2019	Reese et al.
			D847,414 S	4/2019	Danesh et al.
			D847,415 S	4/2019	Danesh et al.

(56)

References Cited

U.S. PATENT DOCUMENTS

10,247,390 B1	4/2019	Kopitzke et al.	2010/0284185 A1	11/2010	Ngai
D848,375 S	5/2019	Danesh et al.	2010/0302778 A1	12/2010	Dabiet et al.
10,281,131 B2	5/2019	Cohen	2011/0043040 A1	2/2011	Porter et al.
10,295,163 B1	5/2019	Cohen	2011/0063831 A1	3/2011	Cook
D851,046 S	6/2019	Peng et al.	2011/0068687 A1	3/2011	Takahasi et al.
10,408,395 B2	9/2019	Danesh	2011/0069499 A1	3/2011	Trott et al.
10,408,396 B2	9/2019	Wronski et al.	2011/0080750 A1	4/2011	Jones et al.
D864,877 S	10/2019	Danesh	2011/0116276 A1	5/2011	Okamura et al.
10,488,000 B2	11/2019	Danesh et al.	2011/0121756 A1	5/2011	Thomas et al.
10,551,044 B2	2/2020	Peng et al.	2011/0134634 A1	6/2011	Gingrich, III et al.
10,563,850 B2	2/2020	Danesh	2011/0134651 A1	6/2011	Berman
2002/0172047 A1	11/2002	Ashley	2011/0140633 A1	6/2011	Archenhold
2003/0006353 A1	1/2003	Dinh et al.	2011/0170294 A1	7/2011	Mier-Langner et al.
2003/0016532 A1	1/2003	Reed	2011/0194299 A1	8/2011	Crooks et al.
2003/0021104 A1	1/2003	Tsao	2011/0216534 A1	9/2011	Tickner et al.
2003/0161153 A1	8/2003	Patti	2011/0226919 A1	9/2011	Fryzek et al.
2004/0001337 A1	1/2004	Defouw et al.	2011/0255292 A1	10/2011	Shen
2004/0120141 A1	6/2004	Beadle	2011/0267828 A1	11/2011	Bazydola et al.
2004/0156199 A1	8/2004	Rivas et al.	2011/0285314 A1	11/2011	Carney et al.
2005/0225966 A1	10/2005	Hartmann et al.	2012/0020104 A1	1/2012	Biebl et al.
2005/0227536 A1	10/2005	Gamache et al.	2012/0074852 A1	3/2012	Delnoij
2005/0231962 A1	10/2005	Koba et al.	2012/0106176 A1	5/2012	Lopez et al.
2005/0237746 A1	10/2005	Yiu	2012/0113642 A1	5/2012	Catalano
2006/0005988 A1	1/2006	Jorgensen	2012/0140442 A1*	6/2012	Woo F21V 7/04 362/95
2006/0158873 A1	7/2006	Newbold et al.	2012/0162994 A1	6/2012	Wasniewski et al.
2006/0198126 A1	9/2006	Jones	2012/0182744 A1	7/2012	Santiago et al.
2006/0215408 A1	9/2006	Lee	2012/0188762 A1	7/2012	Joung et al.
2006/0221620 A1	10/2006	Thomas	2012/0243237 A1	9/2012	Toda et al.
2006/0237601 A1	10/2006	Rinderer	2012/0266449 A1	10/2012	Krupa
2006/0243877 A1	11/2006	Rippel	2012/0268688 A1	10/2012	Sato et al.
2006/0250788 A1	11/2006	Hodge et al.	2012/0287625 A1	10/2012	Sato et al.
2006/0262545 A1	11/2006	Piepgas et al.	2012/0287625 A1	11/2012	Macwan et al.
2007/0035951 A1	2/2007	Tseng	2012/0305868 A1	12/2012	Callahan et al.
2007/0185675 A1	8/2007	Papamichael et al.	2013/0009552 A1	1/2013	Page
2007/0200039 A1	8/2007	Petak	2013/0010476 A1	1/2013	Pickard et al.
2007/0206374 A1	9/2007	Petrakis et al.	2013/0016864 A1	1/2013	Ivey et al.
2008/0002414 A1	1/2008	Miletich et al.	2013/0033872 A1	2/2013	Randolph et al.
2008/0019138 A1	1/2008	Otte et al.	2013/0051012 A1	2/2013	Oehle et al.
2008/0112168 A1	5/2008	Pickard et al.	2013/0141913 A1	6/2013	Sachsenweger
2008/0112170 A1	5/2008	Trott	2013/0155681 A1	6/2013	Nall et al.
2008/0112171 A1	5/2008	Patti et al.	2013/0163254 A1	6/2013	Chang et al.
2008/0130308 A1	6/2008	Behr et al.	2013/0170232 A1	7/2013	Park et al.
2008/0137347 A1	6/2008	Trott et al.	2013/0170233 A1	7/2013	Nezu et al.
2008/0165545 A1	7/2008	O'Brien	2013/0227908 A1	9/2013	Gulbrandsen et al.
2008/0170404 A1	7/2008	Steer et al.	2013/0258677 A1	10/2013	Fryzek et al.
2008/0232116 A1	9/2008	Kim	2013/0265750 A1	10/2013	Pickard et al.
2008/0247181 A1	10/2008	Dixon	2013/0271989 A1	10/2013	Hussell et al.
2008/0285271 A1	11/2008	Roberge et al.	2013/0294084 A1	11/2013	Kathawate et al.
2009/0003009 A1	1/2009	Tessnow et al.	2013/0301252 A1	11/2013	Hussell et al.
2009/0034261 A1	2/2009	Grove	2013/0322062 A1	12/2013	Danesh
2009/0080189 A1	3/2009	Wegner	2013/0322084 A1	12/2013	Ebisawa
2009/0086484 A1	4/2009	Johnson	2013/0335980 A1	12/2013	Nakasuji et al.
2009/0097262 A1	4/2009	Zhang et al.	2014/0036497 A1	2/2014	Hussell et al.
2009/0135613 A1	5/2009	Peng	2014/0049957 A1	2/2014	Goelz et al.
2009/0141500 A1	6/2009	Peng	2014/0063776 A1	3/2014	Clark et al.
2009/0141506 A1	6/2009	Lan et al.	2014/0071679 A1	3/2014	Booth
2009/0141508 A1	6/2009	Peng	2014/0071687 A1	3/2014	Tickner et al.
2009/0147517 A1	6/2009	Li	2014/0140490 A1	5/2014	Roberts et al.
2009/0161356 A1	6/2009	Negley et al.	2014/0063818 A1	6/2014	Randolph et al.
2009/0237924 A1	9/2009	Ladewig	2014/0233246 A1	8/2014	Lafreniere et al.
2009/0280695 A1	11/2009	Sekela et al.	2014/0254177 A1	9/2014	Danesh
2009/0283292 A1	11/2009	Lehr	2014/0268836 A1	9/2014	Thompson
2009/0290343 A1	11/2009	Brown et al.	2014/0268869 A1	9/2014	Blessitt et al.
2010/0014282 A1	1/2010	Danesh	2014/0299730 A1	10/2014	Green et al.
2010/0061108 A1	3/2010	Zhang et al.	2014/0313775 A1	10/2014	Myers et al.
2010/0110690 A1	5/2010	Hsu et al.	2014/0321122 A1	10/2014	Domagala et al.
2010/0110698 A1	5/2010	Harwood et al.	2014/0347848 A1	11/2014	Pisavadia et al.
2010/0110699 A1	5/2010	Chou	2015/0009676 A1	1/2015	Danesh
2010/0148673 A1	6/2010	Stewart et al.	2015/0029732 A1	1/2015	Hatch
2010/0149822 A1	6/2010	Cogliano et al.	2015/0078008 A1	3/2015	He
2010/0165643 A1	7/2010	Russo et al.	2015/0138779 A1	5/2015	Livesay et al.
2010/0244709 A1	9/2010	Steiner et al.	2015/0184837 A1	7/2015	Zhang et al.
2010/0246172 A1	9/2010	Liu	2015/0198324 A1	7/2015	O'Brien et al.
2010/0259919 A1	10/2010	Khazi et al.	2015/0219317 A1	8/2015	Gatof et al.
2010/0270903 A1	10/2010	Jao et al.	2015/0233556 A1	8/2015	Danesh
			2015/0241039 A1	8/2015	Fryzek
			2015/0263497 A1*	9/2015	Korcz H02G 3/086 220/3.3
			2015/0276185 A1	10/2015	Bailey et al.

(56)

References Cited

U.S. PATENT DOCUMENTS

2015/0308662 A1 10/2015 Vice et al.
 2015/0345761 A1 12/2015 Lawlor
 2015/0362159 A1 12/2015 Ludyjan
 2016/0084488 A1 3/2016 Wu et al.
 2016/0209007 A1 7/2016 Belmonte et al.
 2016/0238225 A1 8/2016 Doust
 2016/0308342 A1 10/2016 Witherbee et al.
 2016/0312987 A1 10/2016 Danesh
 2016/0348860 A1 12/2016 Danesh
 2016/0348861 A1 12/2016 Bailey et al.
 2016/0366738 A1 12/2016 Boulanger et al.
 2017/0003007 A1 1/2017 Wronski
 2017/0045213 A1 2/2017 Williams et al.
 2017/0059135 A1 3/2017 Jones
 2017/0138576 A1 5/2017 Peng et al.
 2017/0138581 A1 5/2017 Doust
 2017/0167672 A1 6/2017 Stauner et al.
 2017/0167699 A1 6/2017 Schubert et al.
 2017/0198896 A1 7/2017 May
 2017/0307188 A1 10/2017 Oudina et al.
 2018/0112857 A1 4/2018 Wronski et al.
 2018/0142871 A1 5/2018 Morales
 2018/0216809 A1 8/2018 Cohen
 2018/0224095 A1 8/2018 Cohen
 2018/0283677 A1 10/2018 Cohen
 2019/0032874 A1 1/2019 Bonnetto et al.
 2019/0049080 A1 2/2019 Danesh
 2019/0063701 A1 2/2019 Lofti et al.
 2019/0093836 A1 3/2019 Danesh
 2020/0182420 A1 6/2020 Cohen et al.

FOREIGN PATENT DOCUMENTS

CA 2691480 C 4/2012
 CA 2734369 A1 10/2013
 CA 2561459 A1 11/2013
 CA 2815067 11/2013
 CA 2848289 A1 10/2014
 CN 2182475 Y 11/1994
 CN 201059503 Y 5/2008
 CN 201259125 Y 6/2009
 CN 101608781 A 12/2009
 CN 201636626 U 11/2010
 CN 102062373 A 5/2011
 CN 202014067 U 10/2011
 CN 202392473 U 8/2012
 CN 202733693 U 2/2013
 CN 103307518 A 9/2013
 CN 103322476 A 9/2013
 CN 203202661 U 9/2013
 CN 203215483 U 9/2013
 CN 101498411 B 11/2013
 CN 203273663 U 11/2013
 CN 203297980 U 11/2013
 CN 203628464 U 12/2013
 CN 203641919 U 6/2014
 CN 204300818 U 4/2015
 CN 104654142 A 5/2015
 CN 204513161 U 7/2015
 CN 204611541 U 9/2015
 CN 204786225 U 11/2015
 CN 204829578 U 12/2015
 CN 103712135 B 4/2016
 CN 205606362 U 9/2016
 CN 206130742 U 4/2017
 CN 103154606 B 5/2017
 CN 206222112 U 6/2017
 CN 107013845 A 8/2017
 CN 107084343 A 8/2017
 DE 9109828 U1 2/1992
 DE 199 47 208 5/2001
 EP 1 589 289 10/2005
 EP 1 672 155 A1 6/2006
 EP 1688663 8/2006
 EP 2 095 938 A1 2/2008

EP 2 306 072 A1 4/2011
 EP 2 453 169 A2 5/2012
 EP 2 193 309 B1 7/2012
 EP 2 735 787 A1 5/2014
 EP 3 104 024 A1 12/2016
 GB 2325728 12/1998
 GB 2427020 A 12/2006
 GB 2466875 7/2010
 GB 2471929 1/2014
 GB 2509772 A 7/2014
 JP H02113002 U 9/1990
 JP 2007091052 A 4/2007
 JP 2007265961 A 10/2007
 JP 2011060450 A2 3/2011
 JP 2012064551 A2 3/2012
 JP 2015002027 A2 1/2015
 JP 2015002028 A2 1/2015
 JP 2016219335 A 12/2016
 JP 2017107699 A2 6/2017
 KR 1020110008796 A 1/2011
 KR 1020120061625 A 6/2012
 MX 2011002947 A 9/2011
 TW 474382 U 1/2002
 WO WO 2013/128896 A1 9/2013
 WO WO 2015/000212 A1 1/2015
 WO WO 2016152166 A2 9/2016

OTHER PUBLICATIONS

“Cree LMH2 LED Module with TrueWhite Technology,” Cree Product Family Data Sheet. 2011. 3 pages.
 “Cree LMH2 LED Modules Design Guide,” Cree Product Design Guide. 2011. 20 pages.
 “Cree LMH2 LED Modules,” Mouser Electronics. 2 pages.
 “LED Undercabinet Pocket Guide,” ELCO Lighting. 12 pages.
 “Membrane Penetrations in Fire-Resistance Rated Walls,” https://www.ul.com/wp-content/uploads/2014/04/ul_MembranePenetrations.pdf, Issue 1, 2009, 2 pages.
 “Metallic and Non-metallic Outlet Boxes Used in Fire-rated Assembly,” <https://iaeimagazine.org/magazine/2000/09/16/metallic-and-non-metallic-outlet-boxes-used-in-fire-rated-assembly/>, Sep. 16, 2000, 5 pages.
 “Metallic Outlet Boxes,” UL 514A, Underwriters Laboratories, Inc., Feb. 16, 2004 (Title Page Reprinted Aug. 10, 2007), 106 pages.
 “Outlet Boxes for Use in Fire Rated Assemblies,” https://www.ul.com/wp-content/uploads/2014/04/UL_outletboxes.pdf, 2011, 2 pages.
 “Portland Bi-Color, Warm White/Red,” item:ILIM30941.Imtra Marine Products. 2012. 3 pages.
 “Undercabinet Pucks, Xyris Mini LED Puck Light,” ELCO Lighting. Sep. 2018. 1 page.
 “VERSI LED Mini Flush,” Lithonia Lighting. 6 pages.
 <<https://www.zhagastandard.org/books/book18/>>, Mar. 2017, 5 pages.
 2006 International Building Code, Section 712 Penetrations, 2006, 4 pages.
 Acrich COB Zhaga Module, Product Description, Seoul Semiconductor, Nov. 2016, 39 pages.
 Bortz, J. C. et al., “Optimal design of a nonimaging TIR doublet lens for an illumination system using an LED source”, Proc. SPIE 5529, Nonimaging Optics and Efficient Illumination Systems, (Sep. 29, 2004); doi: 10.1117/12.562598; <https://doi.org/10.1117/12.562598>, 10 pages.
 BXUV.GuidelInfo, Fire Resistance Ratings—ANSI/UL 263, UL Online Certifications Directory, last updated Nov. 3, 2016, 27 pages.
 Canadian Office Action dated Aug. 11, 2017 from Canadian Application No. 2,941,051, 4 pages.
 Canadian Office Action dated Dec. 23, 2013 from Canadian Application No. 2,778,581, 3 pages.
 Canadian Office Action dated Dec. 6, 2016 from Canadian Application No. 2,879,629, 3 pages.
 Canadian Office Action dated Feb. 1, 2016 from Canadian Application No. 2,879,486, 5 pages.
 Canadian Office Action dated Jun. 12, 2017 from Canadian Application No. 2,927,601, 4 pages.

(56)

References Cited

OTHER PUBLICATIONS

Canadian Office Action dated Mar. 22, 2016 from Canadian Application No. 2,879,629, 4 pages.

Canadian Office Action dated Mar. 9, 2017 from Canadian Application No. 2,931,588, 5 pages.

Carlson® Zip Box® Blue™ Switch and Outlet Boxes, Product Brochure, <http://www.carlonsales.com/brochures.php>, 2006, 22 pages. CEYY.GuideInfo, Outlet Boxes and Fittings Certified for Fire Resistance, UL Online Certifications Directory, last updated May 16, 2013, 2 pages.

Civil Action No. 2:18-cv-07090. Complaint for Infringement and Unfair Competition. *DMF, Inc. v. AMP Plus, Inc. d/b/a Elco Lighting*. 52 pages. Dated Aug. 15, 2018.

Cree LED Lamp Family Sales Sheet—Better light is beautiful light, Apr. 24, 2017, 2 pages.

DME Series Installation Instructions, Oct. 18, 2011, 2 pages.

DMF, Inc., “dmfLIGHTING: LED Recessed Downlighting,” DRD2 Product Brochure, Oct. 23, 2014, 50 pages.

DMF, Inc., “dmfLIGHTING: LED Recessed Downlighting,” Product Catalog, Aug. 2012, 68 pages.

DMF, Inc., “dmfLIGHTING: LED Recessed Lighting Solutions,” Info sheets, Mar. 15, 2012, 4 pages.

Dross, O. et al., “Review of SMS design methods and real-world applications”, Proc. SPIE 5529, Nonimaging Optics and Efficient Illumination Systems, (Sep. 29, 2004); doi: 10.1117/12.561336; <https://doi.org/10.1117/12.561336>, 14 pages.

Final Office Action dated Apr. 2, 2015 from U.S. Appl. No. 13/484,901, 13 pages.

Final Office Action dated Apr. 27, 2016 from U.S. Appl. No. 14/184,601, 19 pages.

Final Office Action dated Jan. 29, 2016 from U.S. Appl. No. 14/183,424, 21 pages.

Final Office Action dated Jul. 26, 2017 from U.S. Appl. No. 14/184,601, 18 pages.

Final Office Action dated Jun. 23, 2016 from U.S. Appl. No. 13/484,901, 18 pages.

Final Office Action dated Mar. 15, 2019 from U.S. Appl. No. 15/132,875, 15 pages.

Halo, H7 LED Downlight Trims 49x Series, 6-inch LED Trims for Use with MI7x LED Modules, Cooper Lighting, ADV110422, rev. Aug. 12, 2011, 15 pages.

Halo, Halo LED H4 H7 Collection, SustainableDesign, Cooper Lighting, (emphasis on p. 18 “H7 Collection LED Modules—Halo LED H7 Module Features,”) Mar. 28, 2012, 52 pages.

Halo, LED Module ML706x, Cooper Lighting, General Installation for All Modules/p. 1; Tether Installation/pp. 2-3; Installation into Halo H750x Series LED—only (Non-Screw Based), Recessed Fixture, p. 4, Oct. 20, 2009, 4 pages.

International Search Report and Written Opinion in International Patent Application No. PCT/US18/39048 dated Dec. 14, 2018. 24 pages.

International Search Report and Written Opinion in PCT/US2018/048357 dated Nov. 14, 2018, 13 pages.

Medvedev, V. et al., “Uniform LED illuminator for miniature displays,” Proc. SPIE 3428, Illumination and Source Engineering, (Oct. 20, 1998); doi: 10.1117/12.327957; <https://doi.org/10.1117/12.327957>, 13 pages.

Non-Final Office Action dated Apr. 12, 2018 for U.S. Appl. No. 29/638,259, 5 pages.

Non-Final Office Action dated Apr. 30, 2010 from U.S. Appl. No. 12/173,232, 13 pages.

Non-Final Office Action dated Dec. 15, 2016 from U.S. Appl. No. 14/184,601, 18 pages.

Non-Final Office Action dated Dec. 5, 2018 from U.S. Appl. No. 14/942,937, 13 pages.

Non-Final Office Action dated Feb. 7, 2019 from U.S. Appl. No. 16/200,393, 32 pages.

Non-Final Office Action dated Feb. 6, 2018 from U.S. Appl. No. 15/167,682, 9 pages.

Non-Final Office Action dated Jul. 20, 2015 from U.S. Appl. No. 14/184,601, 16 pages.

Non-Final Office Action dated Jul. 24, 2018 from U.S. Appl. No. 29/638,259, 5 pages.

Non-Final Office Action dated Jun. 2, 2015 from U.S. Appl. No. 14/183,424, 20 pages.

Non-Final Office Action dated Jun. 25, 2018 for U.S. Appl. No. 29/541,565, 10 pages.

Non-Final Office Action dated Mar. 15, 2010 from U.S. Appl. No. 12/100,148, 8 pages.

Non-Final Office Action dated May 16, 2018 for U.S. Appl. No. 15/132,875, 18 pages.

Non-Final Office Action dated May 17, 2017 from U.S. Appl. No. 14/183,424, 20 pages.

Non-Final Office Action dated Oct. 16, 2014 from U.S. Appl. No. 13/484,901, 11 pages.

Non-Final Office Action dated Oct. 24, 2018 for U.S. Appl. No. 15/688,266, 14 pages.

Non-Final Office Action dated Sep. 15, 2015 from U.S. Appl. No. 13/484,901, 16 pages.

Non-Final Office Action dated Sep. 5, 2014 from U.S. Appl. No. 13/791,087, 8 pages.

Non-Final Office Action dated Sep. 6, 2017 from U.S. Appl. No. 14/726,064, 8 pages.

Notice of Allowance dated Aug. 23, 2017 from Canadian Application No. 2,879,629, 1 page.

Notice of Allowance dated Feb. 8, 2019 from U.S. Appl. No. 29/541,565, 5 pages.

Notice of Allowance dated Jan. 16, 2015 from U.S. Appl. No. 29/467,026, 9 pages.

Notice of Allowance dated Jan. 2, 2019 from U.S. Appl. No. 29/541,565, 6 pages.

Notice of Allowance dated Jan. 28, 2019 from U.S. Appl. No. 29/664,471, 8 pages.

Notice of Allowance dated Jan. 30, 2015 from U.S. Appl. No. 13/791,087, 9 pages.

Notice of Allowance dated Mar. 24, 2016 from U.S. Appl. No. 14/247,149, 8 pages.

Notice of Allowance dated Mar. 26, 2018 for U.S. Appl. No. 14/184,601, 10 pages.

Notice of Allowance dated May 10, 2018 from U.S. Appl. No. 14/726,064, 7 pages.

Notice of Allowance dated May 22, 2018 from U.S. Appl. No. 14/183,424, 9 pages.

Notice of Allowance dated Nov. 27, 2018 from U.S. Appl. No. 15/167,682, 11 pages.

Notice of Allowance dated Oct. 21, 2016 from U.S. Appl. No. 13/484,901, 7 pages.

Notice of Allowance dated Oct. 4, 2018 from U.S. Appl. No. 15/947,065, 9 pages.

Notice of Allowance dated Oct. 9, 2018 from U.S. Appl. No. 29/653,142, 7 pages.

Notice of Allowance dated Sep. 19, 2018 from U.S. Appl. No. 15/167,682, 7 pages.

Notice of Allowance dated Sep. 21, 2018 from U.S. Appl. No. 29/645,941, 5 pages.

OneFrame Recessed LED Downlight. Dmflighting.com. Published Jun. 6, 2018. Retrieved at <https://www.dmflighting.com/product/oneframe> on Jun. 6, 2018. 11 pages.

RACO 4 in. Octagon Welded Concrete Ring, 3-1/2 in. Deep with 1/2 and 3/4 in. Knockouts and includes 890 cover (20-Pack). Model # 280. Accessed at <https://www.homedepot.com/p/RACO-4-in-Octagon-Welded-Concrete-Ring-3-1-2-in-Deep-with-1-2-and-3-4-in-Knockouts-and-includes-890-cover-20-Pack-280/203638679> on Jan. 18, 2019. 3 pages.

RACO 4 in. Octagon Welded Concrete Ring, 6 in. Deep with 1/2 and 3/4 in. Knockouts (10-Pack). Model # 276. Accessed at <https://www.homedepot.com/p/RACO-4-in-Octagon-Welded-Concrete-Ring-6-in-Deep-with-1-2-and-3-4-in-Knockouts-10-Pack-276/203638675> on Jan. 16, 2019. 4 pages.

4" Octagon Concrete Boxes and Back Plates. Appleton. Accessed at www.appletonelec.com on May 6, 2019. 1 page.

(56)

References Cited

OTHER PUBLICATIONS

- CS&E PCT Collaborative Search and Examination Pilot Upload Peer Contribution mailed Mar. 14, 2019, 61 pages.
- CS&E PCT Collaborative Search and Examination Pilot Upload Peer Contribution mailed Apr. 24, 2019, 53 pages.
- Imtra Marine Lighting 2008 Catalog. 40 pages.
- Imtra Marine Lighting 2009 Catalog. 32 pages.
- Imtra Marine Lighting Spring 2007 Catalog. 36 pages.
- International Search Report and Written Opinion in International Patent Application No. PCT/US18/62868 dated Mar. 14, 2019, 13 pages.
- International Search Report and Written Opinion in International Patent Application No. PCT/US18/67614 dated Apr. 25, 2019, 20 pages.
- Non-Final Office Action dated Apr. 4, 2019 from U.S. Appl. No. 29/678,482, 8 pages.
- Notice of Allowance dated Apr. 1, 2019 from U.S. Appl. No. 15/167,682, 7 pages.
- Notice of Allowance dated Apr. 17, 2019 from U.S. Appl. No. 29/678,478, 7 pages.
- Notice of Allowance dated Apr. 8, 2019 from U.S. Appl. No. 29/653,142, 8 pages.
- RACO Commercial, Industrial and Residential Electrical Products. Hubbell. Accessed at www.Hubbell-RTB.com on May 6, 2019. 356 pages.
- Specification & Features 4" Octagonal Concrete Box Covers. Orbit Industries, Inc. Accessed at <https://www.orbitelectric.com> on May 6, 2019. 1 page.
- U.S. Appl. No. 14/713,340, filed Oct. 23, 2013, Knight.
- Final Office Action dated Jun. 6, 2019 from U.S. Appl. No. 15/688,266, 7 pages.
- Non-Final Office Action dated Jun. 11, 2019 from U.S. Appl. No. 15/901,738, 6 pages.
- Notice of Allowance dated Jun. 12, 2019 from U.S. Appl. No. 16/016,040, 8 pages.
- Cooper Lighting HALO ML56 LED System Product Sheet. Mar. 2, 2015. Accessed at http://www.cooperindustries.com/content/dam/public/lighting/products/documents/halo/spec_sheets/halo-ml56600-80cri-141689-sss.pdf. 8 pages.
- KWIKBRACE® New Construction Braces for Lighting Fixtures or Ceiling Fans 1-1/2 in. Depth. Hubbell. Accessed at <https://hubbellcdn.com/specsheet/926.pdf> on Jun. 27, 2019. 1 page.
- IC1JB Housing 4"IC-Rated New Construction Junction Box Housing. AcuityBrands. Accessed at <https://www.acuitybrands.com/en/products/detail/845886/juno/ic1jb-housing/4-ic-rated-new-construction-junction-box-housing> on Jun. 27, 2019.
- Notice of Allowance dated Jul. 31, 2019 from U.S. Appl. No. 15/167,682, 7 pages.
- Supplemental Notice of Allowance dated Aug. 5, 2019 from U.S. Appl. No. 15/947,065, 2 pages.
- International Search Report and Written Opinion in International Patent Application No. PCT/US19/32281 dated Aug. 2, 2019, 18 pages.
- Notice of Allowance dated Sep. 11, 2019 from U.S. Appl. No. 29/653,142, 6 pages.
- Notice of Allowance dated Sep. 19, 2019 from U.S. Appl. No. 16/016,040, 7 pages.
- Corrected Notice of Allowance dated Sep. 27, 2019 from U.S. Appl. No. 15/167,682, 2 pages.
- Final Office Action dated Sep. 27, 2019 from U.S. Appl. No. 16/200,393, 34 pages.
- Notice of Allowance dated Feb. 15, 2019 from U.S. Appl. No. 15/947,065, 9 pages.
- Notice of Allowance dated Oct. 1, 2019 from U.S. Appl. No. 14/942,937, 7 pages.
- Final Office Action dated Oct. 3, 2019 from U.S. Appl. No. 29/678,482, 6 pages.
- Delhi Rehab & Nursing Facility ELM16-70884. Vertex Innovative Solutions Feb. 25, 2016. 89 pages.
- SlimSurface surface mount downlighting. Philips Lightolier 2018. 8 pages.
- Be seen in the best light. Lightolier by signify. Comprehensive 2019 Lighting Catalog. 114 pages.
- Corrected Notice of Allowance dated Oct. 10, 2019 from U.S. Appl. No. 16/016,040, 2 pages.
- Cree® LMR2 LED Module. Product Family Data Sheet Cree 2011. 3 pages.
- Notice of Allowance dated Oct. 16, 2019 from U.S. Appl. No. 15/132,875, 12 pages.
- International Search Report and Written Opinion in International Patent Application No. PCT/US2019/036477 dated Oct. 17, 2019, 15 pages.
- ML56 LED Lighting System 600 / 900 / 1200 Series Halo. Cooper Lighting Brochure 2015. Accessed at <https://images.homedepot-static.com/catalog/pdfImages/06/06d28f93-4bf6-45be-a35a-a0239606f227.pdf>. 41 pages.
- Switch and Outlet Boxes and Covers Brochure. Appelton 2010. 77 pages.
- Non-Final Office Action dated Dec. 30, 2019 from U.S. Appl. No. 16/653,497, 8 pages.
- Notice of Allowance dated Feb. 5, 2020 from U.S. Appl. No. 15/901,738, 8 pages.
- Notice of Allowance dated Feb. 5, 2020 from U.S. Appl. No. 29/678,482, 13 pages.
- Maxim Lighting Wafer Trifold Brochure LMXBRO1711 2017. Accessed at <https://www.maximlighting.com/Upload/download/brochure/pdf/LMXBRO1711.pdf> on Feb. 13, 2020. 2 pages.
- Maxim Convert Fixture. LMXCAT1805 Maxim Main Catalog 2018 p. 639.
- Maxim Wafer. LMXCAT1805 Maxim Main Catalog 2018 pp. 636-638.
- Maxim Lighting Trim Trifold LMXBRO1905 2019. Accessed at <https://www.maximlighting.com/Upload/download/brochure/pdf/LMXBRO1905.pdf> on Feb. 13, 2020. 2 pages.
- International Search Report and Written Opinion in International Patent Application No. PCT/US2019/054220 dated Feb. 24, 2020, 23 pages.
- Final Office Action dated Mar. 17, 2020 for U.S. Appl. No. 29/653,142, 13 pages.
- LED Book Price Guide 2012. DMF Light. Issued Jun. 26, 2013. 3 pages.
- DLER411 4" Recessed LED Retrofit Module. DMF Light. Issued Jun. 15, 2011. 1 page.
- DLEI411 4" Recessed LED New Construction, IC. DMF Light. Issued Nov. 30, 2011. 1 page.
- DLEIR411 4" Recessed LED Remodel, IC. DMF Light. Issued Jun. 15, 2011. 1 page.
- 3 & 4" DLE Series LED Sample Case Now Available. DMF Light. Issued Jan. 6, 2012. 1 page.
- DLEI3 3" Recessed LED New Construction, IC. DMF Light. Issued Nov. 30, 2011. 2 pages.
- Ridgway-Barnes, SlimSurface LED Downlight: One of the thinnest LED surface mount downlights in the market. Philips Lighting Blog. Oct. 28, 2014. Accessed at <http://applications.nam.lighting.philips.com/blog/index.php/2014/10/28/slimsurface-led-downlight-one-of-the-thinnest-led-surface-mount-downlights-in-the-market/>. 3 pages.
- SlimSurface LED S5R, S7R & S10R Round 5", 7" and 10" Apertures. Lightolier by Signify. Nov. 2018. 9 pages.
- Non-Final Office Action dated Apr. 2, 2020 for U.S. Appl. No. 16/522,275, 21 pages.
- Notice of Allowance dated May 18, 2020 from U.S. Appl. No. 15/901,738, 7 pages.
- Non-Final Office Action dated May 20, 2020 for U.S. Appl. No. 15/688,266, 6 pages.
- Non-Final Office Action dated May 26, 2020 for U.S. Appl. No. 16/719,361, 10 pages.
- Maxim Lighting International, "Wafer LED 7" RD 3000K Wall/Flush Mount", undated.
- Maxim Lighting International, "Convert LED Flush Mount", undated.
- Maxim Lighting International, "Views of the Wafer Flush Mount", undated.

(56)

References Cited

OTHER PUBLICATIONS

Maxim Lighting International, "Product/Drawing Specification Sheet", undated.

International Search Report and Written Opinion in PCT/US2020/017331 dated Jun. 22, 2020, 16 pages.

Taiwan Office Action and translation thereof dated Jun. 12, 2020 from Taiwan Application No. 108116564, 8 pages.

Access Lighting Installation Instructions. No. 20870LEDD/20871LEDD/20872LEDD. Dec. 16, 2019. 2 pages.

Model No. 20870LEDD-WH/ACR Infinite Specification Sheet. Access Lighting. Apr. 9, 2020. 1 page.

Notice of Allowance dated Jul. 10, 2020 from U.S. Appl. No. 29/694,475, 6 pages.

Petition for Inter Partes Review of U.S. Pat. No. 9,964,266 Pursuant to 37 C.F.R. § 42.100 et seq. *AMP Plus Inc. dbd ELCO Lighting v. DMF, INC*, IPR2019-01094 filed May 17, 2019. 108 pages.

IPR2019-01094 Exhibit 1001. U.S. Pat. No. 9,964,266 ("the '266 Patent"). 14 pages.

IPR2019-01094 Exhibit 1002. Declaration of Eric Bretschneider, Ph.D. ("Bretschneider"). 107 pages.

IPR2019-01094 Exhibit 1003. Curriculum Vitae of Dr. Bretschneider. 11 pages.

IPR2019-01094 Exhibit 1004. Excerpts from the File History of U.S. Pat. No. 9,964,266. 105 pages.

IPR2019-01094 Exhibit 1005. Imtra 2011 Marine Lighting Catalog—Advanced LED Solutions ("Imtra 2011"). 40 pages.

IPR2019-01094 Exhibit 1006. Imtra 2007 Marine Lighting Catalog ("Imtra 2007"). 36 pages.

IPR2019-01094 Exhibit 1007. U.S. Pat. No. 9,366,418 ("Gifford"). 9 pages.

IPR2019-01094 Exhibit 1008. Declaration of Colby Chevalier ("Chevalier"). 89 pages.

IPR2019-01094 Exhibit 1009. U.S. Pat. No. 7,102,172 ("Lynch"). 41 pages.

IPR2019-01094 Exhibit 1010. Illuminating Engineering Society, ANSI RP-16-10, Nomenclature and Definitions for Illuminating Engineering (approved as an American National Standard Jul. 15, 2005, approved by the IES Board of Directors Oct. 15, 2005). 4 pages.

IPR2019-01094 Exhibit 1011. Underwriters Laboratories Inc. Standard for Safety, Standard UL-8750, entitled Light Emitting Diode (LED) Equipment for Use in Lighting (1st ed. 2009). 5 pages.

IPR2019-01094 Exhibit 1012. Celanese CoolPoly® D5502 Thermally Conductive Liquid Crystalline Polymer Specification ("CoolPoly"). 1 page.

IPR2019-01094 Exhibit 1013. Illuminating Engineering Society of North America, Ies Lighting Handbook (John E. Kaufman and Howard Haynes eds., Application vol. 1981) ("Lighting Handbook"). 5 pages.

IPR2019-01094 Exhibit 1014. California Energy Commission, PIER Lighting Research Program: Project 2.3 Low-profile LED Luminaires Final Report (Prepared by Lighting Research Center, Jan. 2005) ("PIER LRP"). 70 pages.

IPR2019-01094 Exhibit 1015. Jim Sinopoli, Using DC Power to Save Energy and End the War on Currents, GreenBiz (Nov. 15, 2012), <https://www.greenbiz.com/news/2012/11/15/using-dc-power-save-energy-end-war-currents> ("Sinopoli"). 6 pages.

IPR2019-01094 Exhibit 1016. Robert W. Johnson, "Thought Leadership White Paper: AC Versus DC Power Distribution" (Nov. 2012) ("Johnson"). 10 pages.

IPR2019-01094 Exhibit 1017. Lumileds, LUXEON Rebel General Purpose Product Datasheet, Specification DS64 (2016) ("Luxeon Rebel"). 26 pages.

IPR2019-01094 Exhibit 1018. U.S. Pat. No. 8,454,204 ("Chang"). 11 pages.

IPR2019-01094 Exhibit 1019. U.S. Department of Energy, CALiPER Benchmark Report: Performance of Incandescent A-Type and Decorative Lamps and LED Replacements (prepared by Pacific National Laboratory, Nov. 2008) ("CALiPER 2008"). 25 pages.

IPR2019-01094 Exhibit 1020. U.S. Pat. No. 3,836,766 ("Auerbach"). 13 pages.

IPR2019-01094 Exhibit 1021. U.S. Department of Energy, CALiPER Application Summary Report 16: LED BR30 and R30 Lamps (prepared by Pacific Northwest National Laboratory, Jul. 2012) ("CALiPER 2012"). 26 pages.

IPR2019-01094 Exhibit 1022. Sandia National Laboratories, Sandia Report: "The Case for a National Research Program on Semiconductor Lighting" (Jul. 2000) ("Haitz"). 24 pages.

IPR2019-01094 Exhibit 1023. Sylvania, Post Top Street Light LED Retrofit Kit Specification, LED40POST (2009) ("Sylvania"). 4 pages.

IPR2019-01094 Exhibit 1024. Webster's New Collegiate Dictionary (1973) ("Webster's"). 2 pages.

IPR2019-01094 Exhibit 1025. 3M Wire Connectors and Tools Catalog 2013 ("3M Catalog"). 22 pages.

IPR2019-01094 Exhibit 1026. Wakefield Semiconductor Heat Sinks and Thermal Products 1974 Catalog ("Wakefield"). 3 pages.

IPR2019-01094 Exhibit 1027. U.S. Department of Energy, Solid-State Lighting Research and Development Portfolio: Multi-Year Program Plan FY'07-FY'12 (prepared by Navigant Consulting, Inc., Mar. 2006) ("DOE 2006"). 129 pages.

IPR2019-01094 Exhibit 1028. U.S. Department of Energy, Solid-State Lighting Research and Development: Multi-Year Program Plan (Apr. 2013) ("DOE 2013"). 89 pages.

Declaration of Colby Chevalier from Central District of California Civil Docket for Case #: 2:18-cv-07090-CAS-GJS filed Jun. 3, 2019, signed Jun. 3, 2019. 2 pages.

Docket Listing in Inter Partes Review of U.S. Pat. No. 9,964,266. Docket Navigator *AMP Plus, Inc. d/b/a Elco Lighting et al v. DMF, Inc.* PTAB-IPR2019-01094. Downloaded Mar. 25, 2020. 4 pages.

Petition for Inter Partes Review of U.S. Pat. No. 9,964,266 Pursuant to 37 C.F.R. § 42.100 et seq. *AMP Plus Inc. dbd Elco Lighting v. DMF, Inc.* PTAB-IPR2019-01500 filed Aug. 14, 2019. 99 pages.

Docket Listing in Inter Partes Review of U.S. Pat. No. 9,964,266 . *AMP Plus, Inc. d/b/a ELCO Lighting et al v. DMF, Inc.* PTAB-IPR2019-01500. Downloaded Mar. 25, 2020. 3 pages.

Docket Listing in Civil Action No. 2:18-cv-07090. *DMF, Inc. v. AMP Plus, Inc. d/b/a Elco Lighting et al* CDCA-2-18-cv-07090. Downloaded on Mar. 25, 2020. 39 pages.

Civil Action No. 2:19-cv-4519. Complaint for Patent Infringement. *DMF, Inc. v. AMP Plus, Inc. d/b/a ELCO Lighting*. 52 pages. dated May 22, 2019. 23 pages.

Docket Listing in Civil Action No. 2:19-cv-4519. *DMF Inc v. AMP Plus, Inc. d/b/a ELCO Lighting et al* CDCA-2-19-cv-04519. Downloaded on Mar. 25, 2020. 3 pages.

Decision Denying Institution of Inter Partes Review of U.S. Pat. No. 9,964,266 in IPR2019-01500 dated Mar. 17, 2020. 21 pages.

Defendants' Notice of Prior Art Pursuant to 35 U.S.C. § 282 in Civil Action No. 2:18-cv-07090-CAS-GJS dated Feb. 28, 2020. 7 pages.

Defendant AMP Plus, Inc.'s Opposition to DMF's Motion for Summary Judgment in Civil Action No. 2:18-cv-07090-CAS-GJS filed Feb. 10, 2020. 32 pages.

Declaration of Eric Bretschneider, Ph.D in Support of Amp Plus, Inc.'s Opposition to Dmf, Inc.'s Motion for Partial Summary Judgment in Civil Action No. 2:18-cv-07090-CAS-GJS filed Feb. 10, 2020. 210 pages.

Plaintiff DMF's Reply in Support of Motion for Partial Summary Judgment in Civil Action No. 2:18-cv-07090-CAS-GJS filed Feb. 18, 2020. 33 pages.

Declaration of James R. Benya in Support of Plaintiff DMF's Motion for Summary Judgment in Civil Action No. 2:18-cv-07090-CAS-GJS filed Feb. 3, 2020. 193 pages.

Underwriters Laboratories Inc. Standard for Safely. UL 1598. Luminaires Jan. 11, 2020. 12 pages.

Exceptional LED Lighting Technology Product Portfolio. LightingScience 2012. 11 pages.

"Cree LMH2 LED Modules," Mouser Electronics. Sep. 9, 2012. 4 pages.

Slim Line Disc. Eye LEDs Specification Sheet 2012. 2 pages.

HiBay LED Heat Sink. Wakefield-vette. Dec. 11, 2017. 1 pages.

Thermal Management of Cree® XLamp® LEDs. Cree Application Note. 2004. 19 pages.

(56)

References Cited

OTHER PUBLICATIONS

Imtra Marine Lighting Fall 2007 Catalog. 32 pages.

Corrected Notice of Allowability dated Oct. 25, 2018 from U.S. Appl. No. 14/183,424, 3 pages.

Dmf DRD2 Recessed LED Downlight General Retrofit Junction Box Dated: Dec. 18, 2015 Downloaded Jul. 28, 2018, from <https://www.alconlighting.com/specsheets/DMF/DRD2-Junction-Box-Retrofit-Spec-Sheet.pdf>, 6 pages.

Dmf DRD2 Recessed LED Downlight General New Construction 4", 5", 6" Aperture Dated: Aug. 31, 2016 Downloaded Jul. 28, 2018, from https://www.cansandfans.com/sites/default/files/DRD2-General-New-Construction-Spec-Sheet_7_0.pdf, 9 pages.

Mar. 5, 2016—The DMF Lighting DRD2 Recessed LED Downlight General Retrofit Junction Box—Wet Location Rated is the ideal solution for Commercial LED recessed lighting retrofit applications. web cache <https://www.alconlighting.com/dmf-drd2m.html> (downloaded Jul. 28, 2018), 6 pages.

Ex Parte Quayle Office Action dated Oct. 16, 2018 for U.S. Appl. No. 29/663,037, 7 pages.

Notice of Allowance dated Nov. 19, 2018 from U.S. Appl. No. 29/663,037, 5 pages.

Notice of Allowance dated Nov. 15, 2018 from U.S. Appl. No. 29/663,040, 5 pages.

LED modules advance in performance, standardization questions persist (Magazine). LEDs Magazine. Oct. 29, 2013. Accessed at <https://www.ledsmagazine.com/leds-ssl-design/modular-light-engines/article/16695073/led-modules-advance-in-performance-standardization-questions-persist-magazine>. 9 pages.

Notice of Allowance dated Jul. 20, 2020 from U.S. Appl. No. 29/648,046, 5 pages.

Octagon Concrete Box Cover with (3) ½ in. & (2) ¾ in. Conduit Knockouts. Garvin. Accessed at https://www.garvinindustries.com/covers-and-device-rings/concrete-slab-box-covers-adaptor-rings/flat-covers-all-styles/cbp?gclid=CjOKCQjw9b_4BRCMARIsADMUlypJc0K8OUHdDTI9C5m4BDzR3U87PRYV1NdQ1BFxEWQ21_3otTCTqEkaAi_DEALw_wcB on Jul. 20, 2020. 1 page.

U.S. Appl. No. 29/694,475, filed Jun. 11, 2019, Peng et al.

U.S. Appl. No. 16/653,497, filed Oct. 15, 2019, Danesh et al.

U.S. Appl. No. 29/711,198, filed Nov. 29, 2019, Danesh et al.

U.S. Appl. No. 16/690,970, filed Nov. 21, 2019, Nikooyan et al.

U.S. Appl. No. 16/719,361, filed Dec. 18, 2019, Danesh et al.

U.S. Appl. No. 16/522,275, filed Jul. 25, 2019, Danesh.

U.S. Appl. No. 16/725,606, filed Dec. 23, 2019, Bailey et al.

U.S. Appl. No. 29/648,046, filed May 17, 2018, Williams.

U.S. Appl. No. 16/779,824, filed Feb. 3, 2020, Danesh.

U.S. Appl. No. 16/779,865, filed Feb. 3, 2020, Danesh et al.

U.S. Appl. No. 29/688,172, filed Apr. 18, 2019, Danesh et al.

U.S. Appl. No. 29/688,143, filed Apr. 18, 2019, Danesh et al.

* cited by examiner

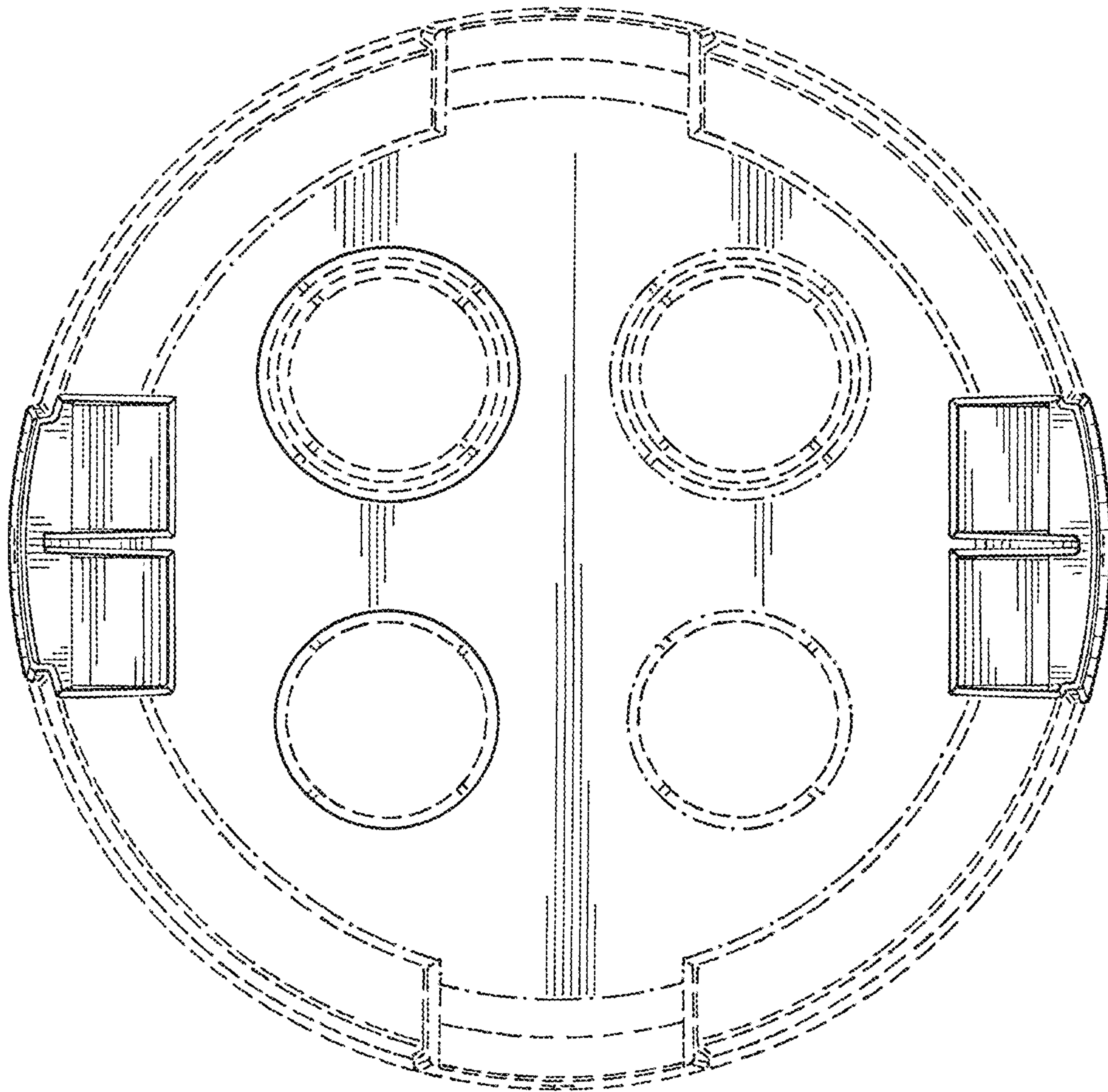


FIG. 1

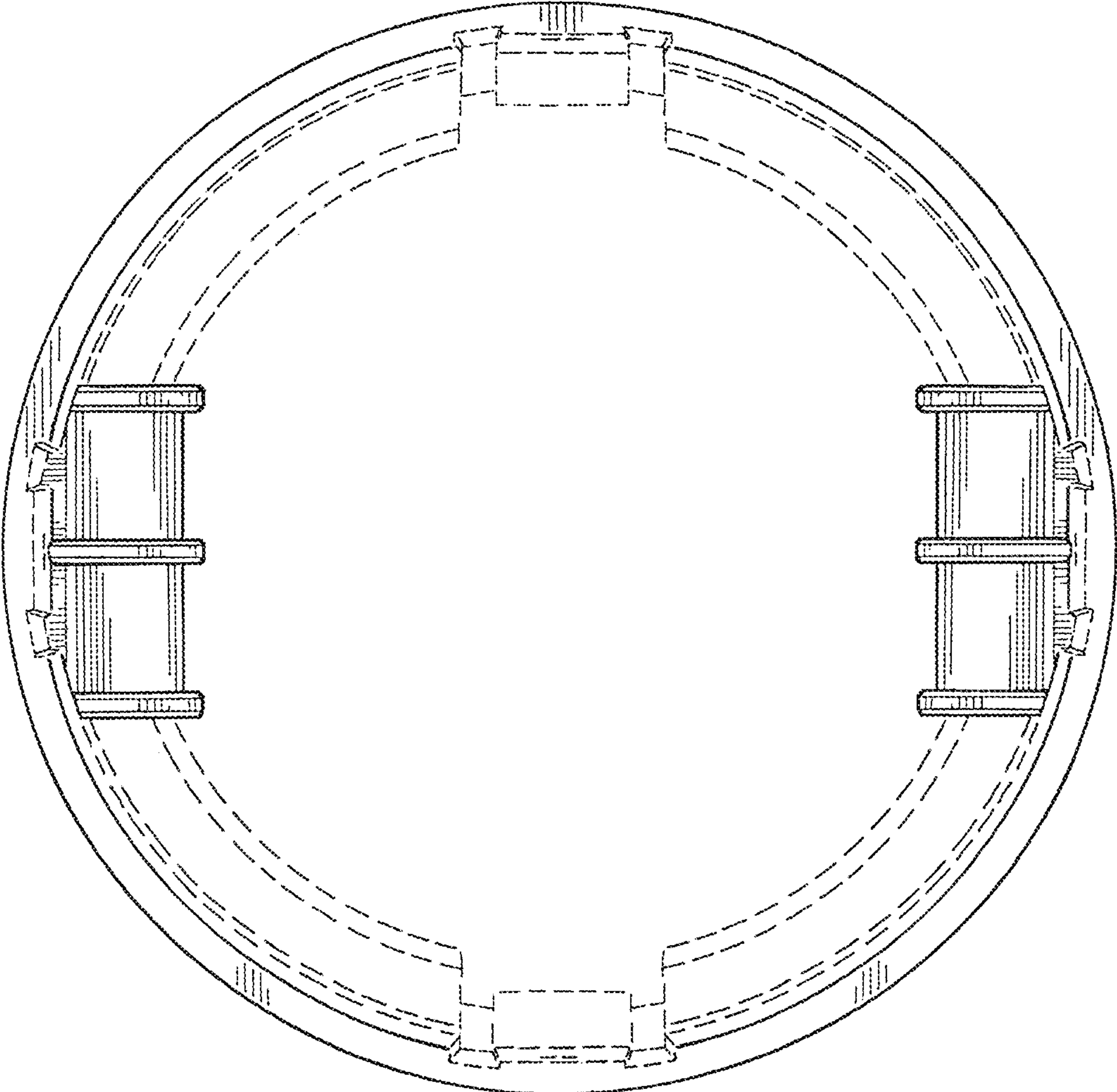


FIG. 2

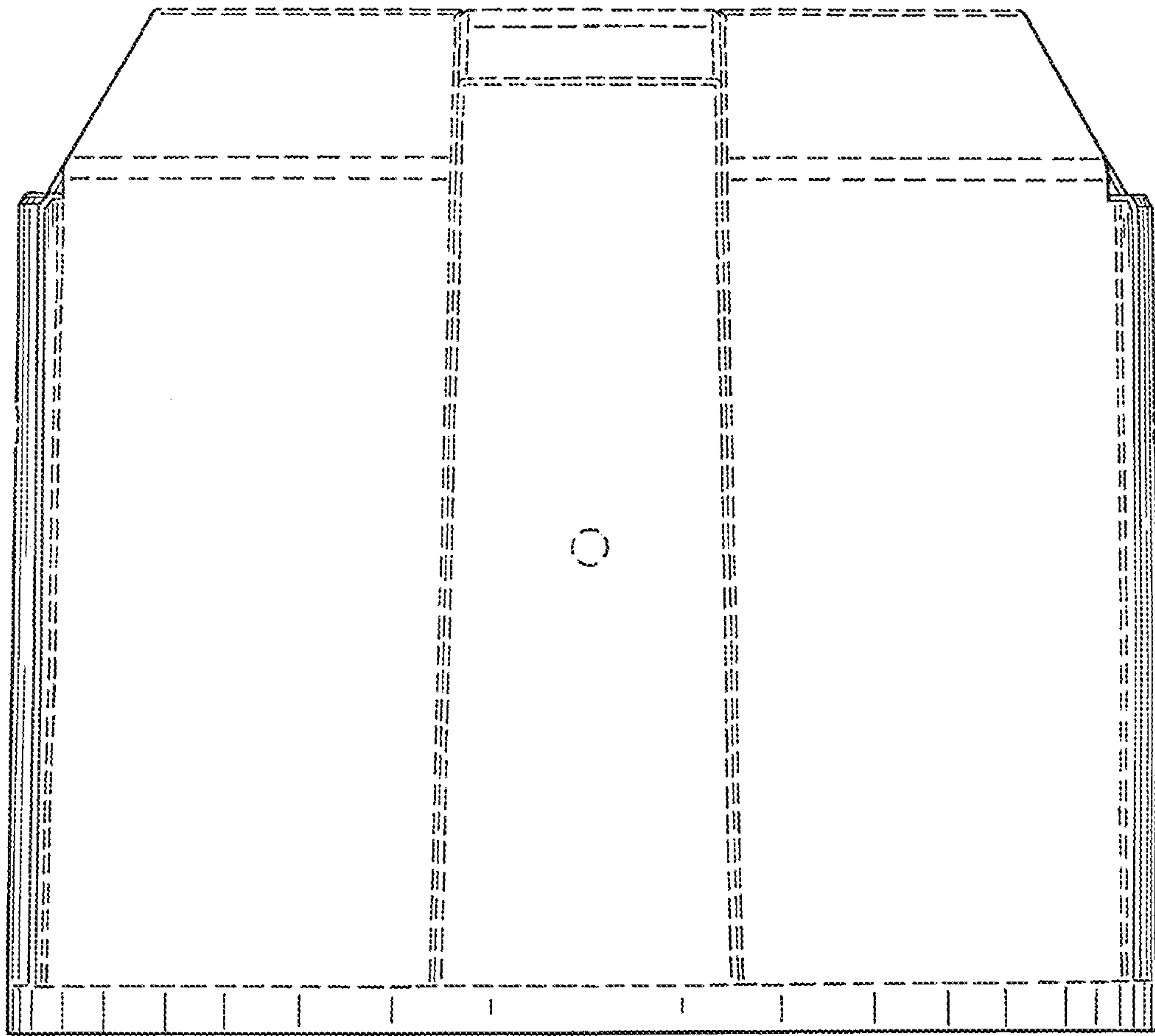


FIG. 3

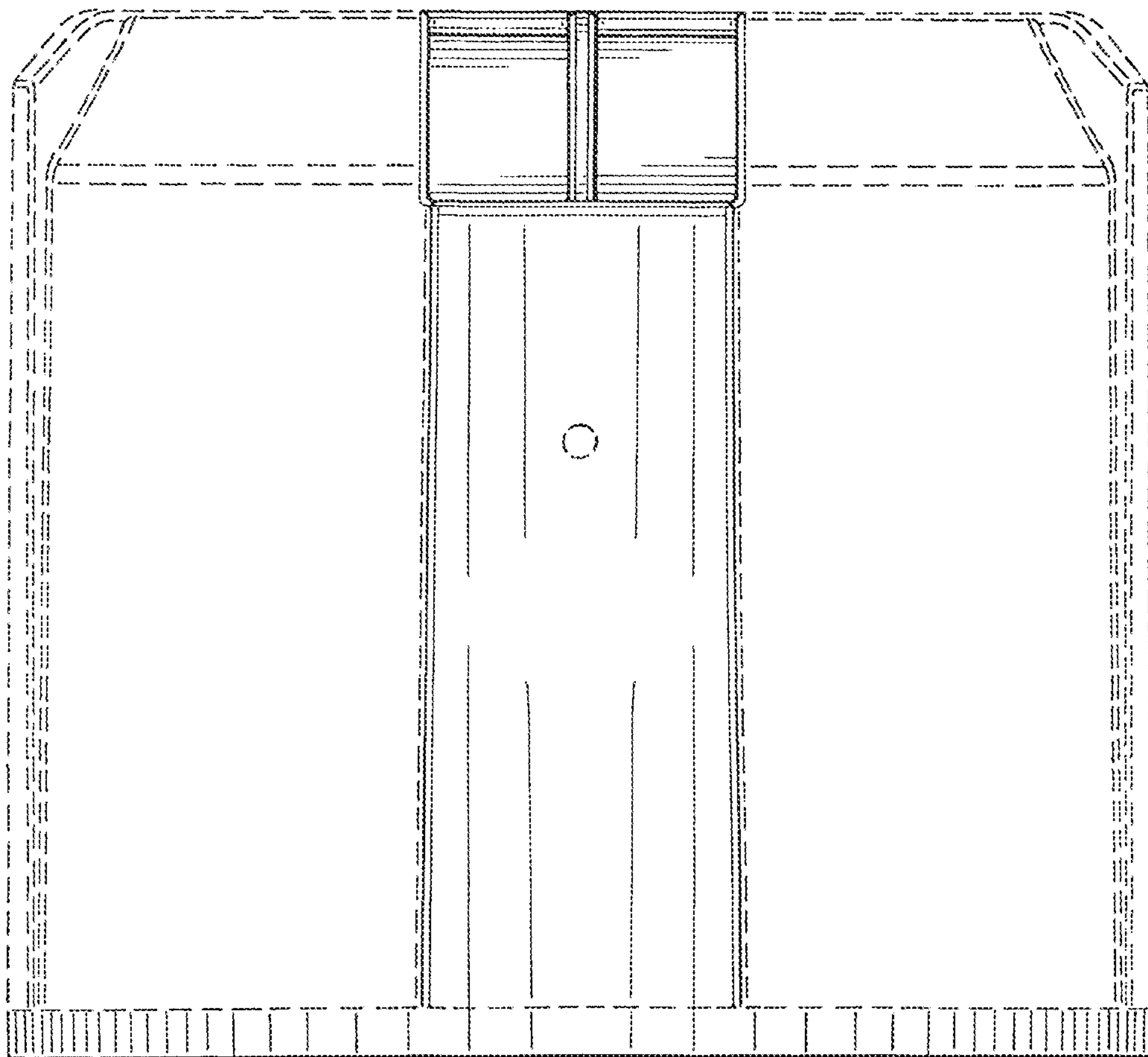


FIG. 4

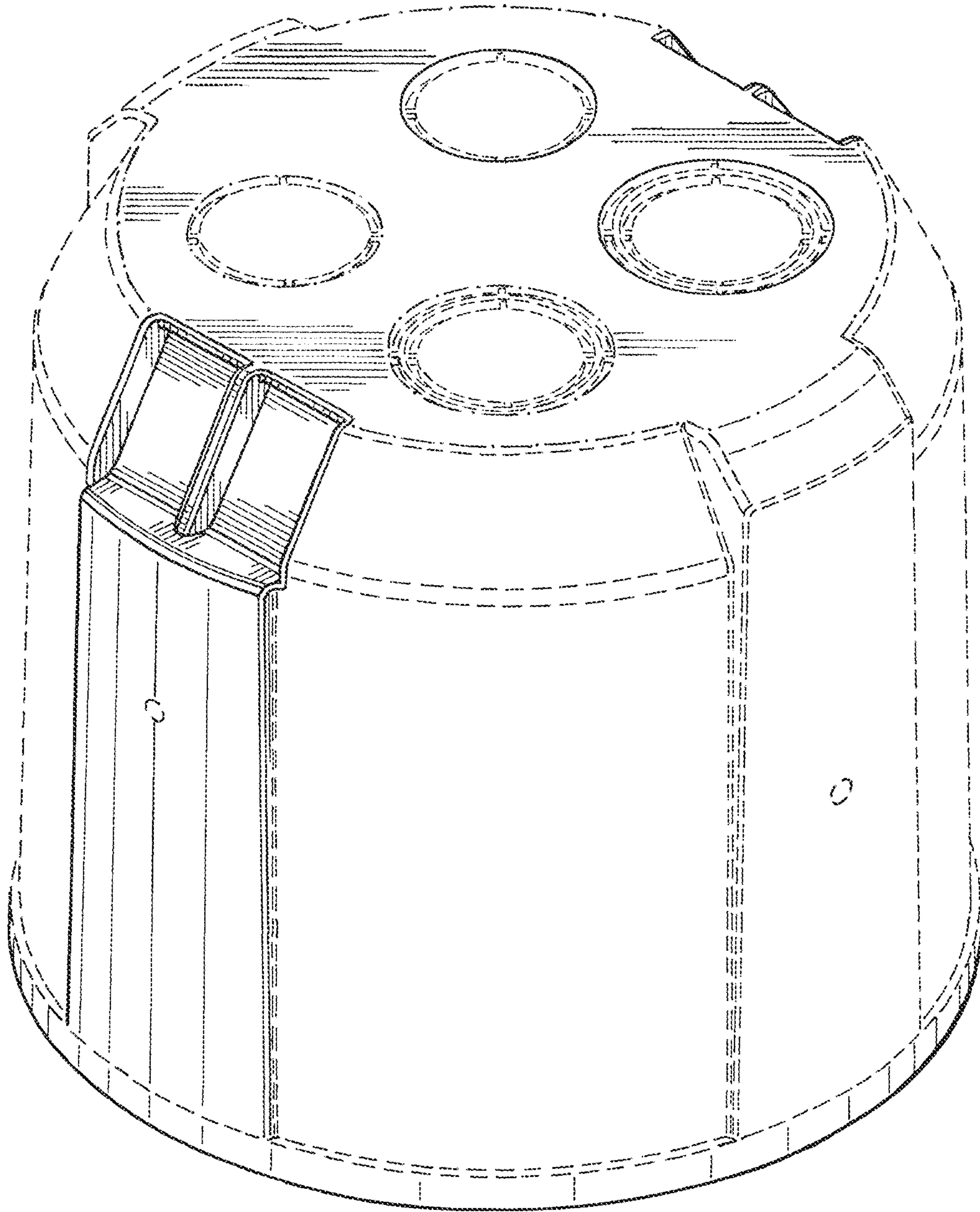


FIG. 5

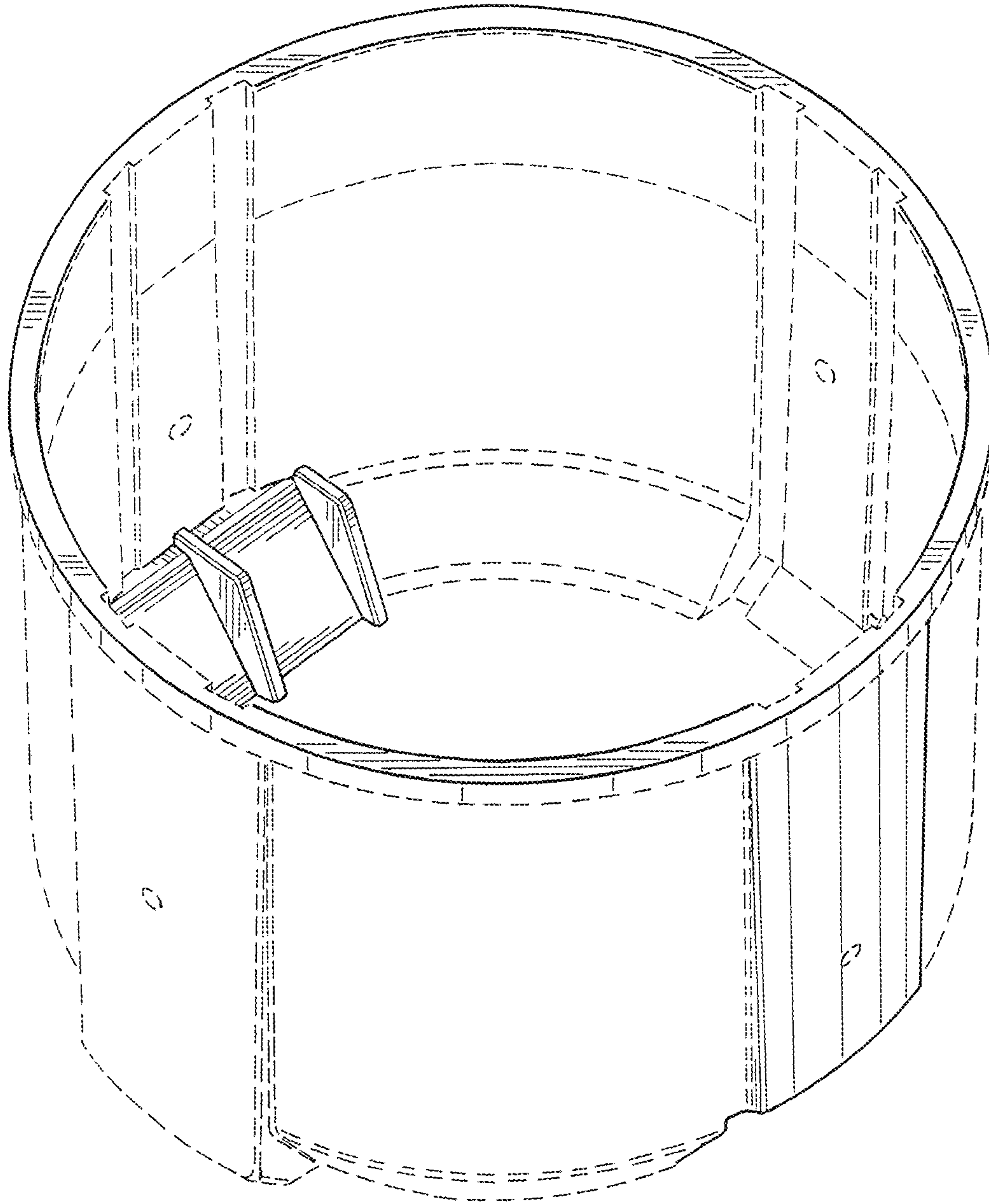


FIG. 6