



US00D902869S

(12) **United States Design Patent** (10) **Patent No.:** **US D902,869 S**  
**Zhang et al.** (45) **Date of Patent:** **\*\* Nov. 24, 2020**

(54) **PORTABLE ADAPTER**  
(71) Applicant: **BEIJING XIAOMI MOBILE SOFTWARE CO., LTD.**, Beijing (CN)  
(72) Inventors: **Lei Zhang**, Beijing (CN); **Ningning Li**, Beijing (CN); **Wenbo Dou**, Beijing (CN)  
(73) Assignee: **BEIJING XIAOMI MOBILE SOFTWARE CO., LTD.**, Beijing (CN)  
(\*\*) Term: **15 Years**

D762,173 S \* 7/2016 Solomon ..... D13/110  
D768,068 S \* 10/2016 Chen ..... D13/103  
D769,185 S \* 10/2016 Lee ..... D13/108  
D772,160 S \* 11/2016 Roberts ..... D13/110  
D790,464 S \* 6/2017 He ..... D13/110  
9,694,526 B2 \* 7/2017 Villarreal ..... B29C 45/376  
D811,329 S \* 2/2018 Roberts ..... D13/110  
D819,566 S \* 6/2018 Hung ..... D13/110  
D820,209 S \* 6/2018 Lemelson ..... D13/110  
D826,853 S \* 8/2018 Nauroy ..... D13/108  
D827,567 S \* 9/2018 Nauroy ..... D13/108  
D837,733 S \* 1/2019 Bai ..... D13/108  
D866,471 S \* 11/2019 Xu ..... D13/137.2  
D879,710 S \* 3/2020 Yang ..... D13/108

(Continued)

(21) Appl. No.: **35/507,238**

*Primary Examiner* — Rhea Shields

(22) Filed: **Sep. 28, 2018**

(74) *Attorney, Agent, or Firm* — Dickinson Wright PLLC

(80) **Hague Agreement Data**

Int. Filing Date: **Sep. 28, 2018**  
Int. Reg. No.: **DM/202216**  
Int. Reg. Date: **Sep. 28, 2018**  
Int. Reg. Pub. Date: **Aug. 16, 2019**

(57) **CLAIM**

The ornamental design for a portable adapter, as shown and described.

(30) **Foreign Application Priority Data**

Mar. 28, 2018 (CN) ..... 2018 3 0119174

(51) **LOC (12) Cl.** ..... **13-03**

(52) **U.S. Cl.**  
USPC ..... **D13/147**

(58) **Field of Classification Search**  
USPC ..... D13/107, 108, 110, 137.1–137.2  
CPC ..... H01R 13/514; B29C 45/376  
See application file for complete search history.

**DESCRIPTION**

1.-2. Portable adapter

- 1.1 : Front
- 1.2 : Back
- 1.3 : Left
- 1.4 : Right
- 1.5 : Top
- 1.6 : Perspective
- 1.7 : Perspective
- 2.1 Perspective

1.1 is a front elevation view of a portable adapter (dual mode) showing our new design; 1.2 is a back elevation view thereof; 1.3 is a left side elevation view thereof; 1.4 is a right side elevation view thereof; 1.5 is a top plan view thereof; 1.6 is a perspective view thereof; 1.7 is another perspective view thereof.; 2. 2.1 is a perspective view of a portable adapter (dual mode) showing our new design.

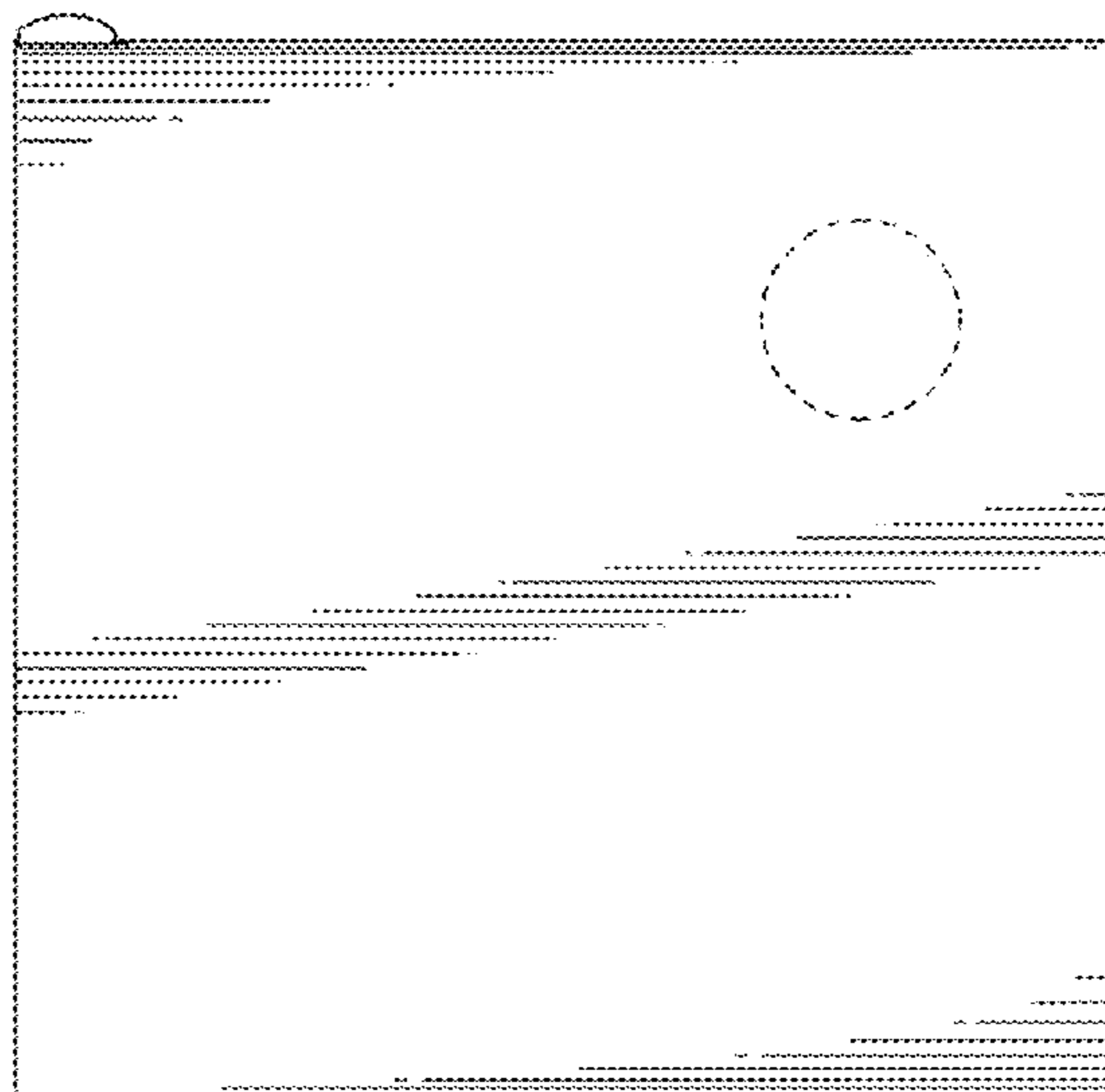
The broken lines in Figures 1.1-2.1 depict portions of the portable adapter that form no part of the claimed design.

(56) **References Cited**

U.S. PATENT DOCUMENTS

D478,546 S \* 8/2003 Andre ..... D13/110  
D647,476 S \* 10/2011 Ciou ..... D13/110  
D653,615 S \* 2/2012 Au ..... D13/108  
D742,309 S \* 11/2015 Sumida ..... D13/108

**1 Claim, 8 Drawing Sheets**



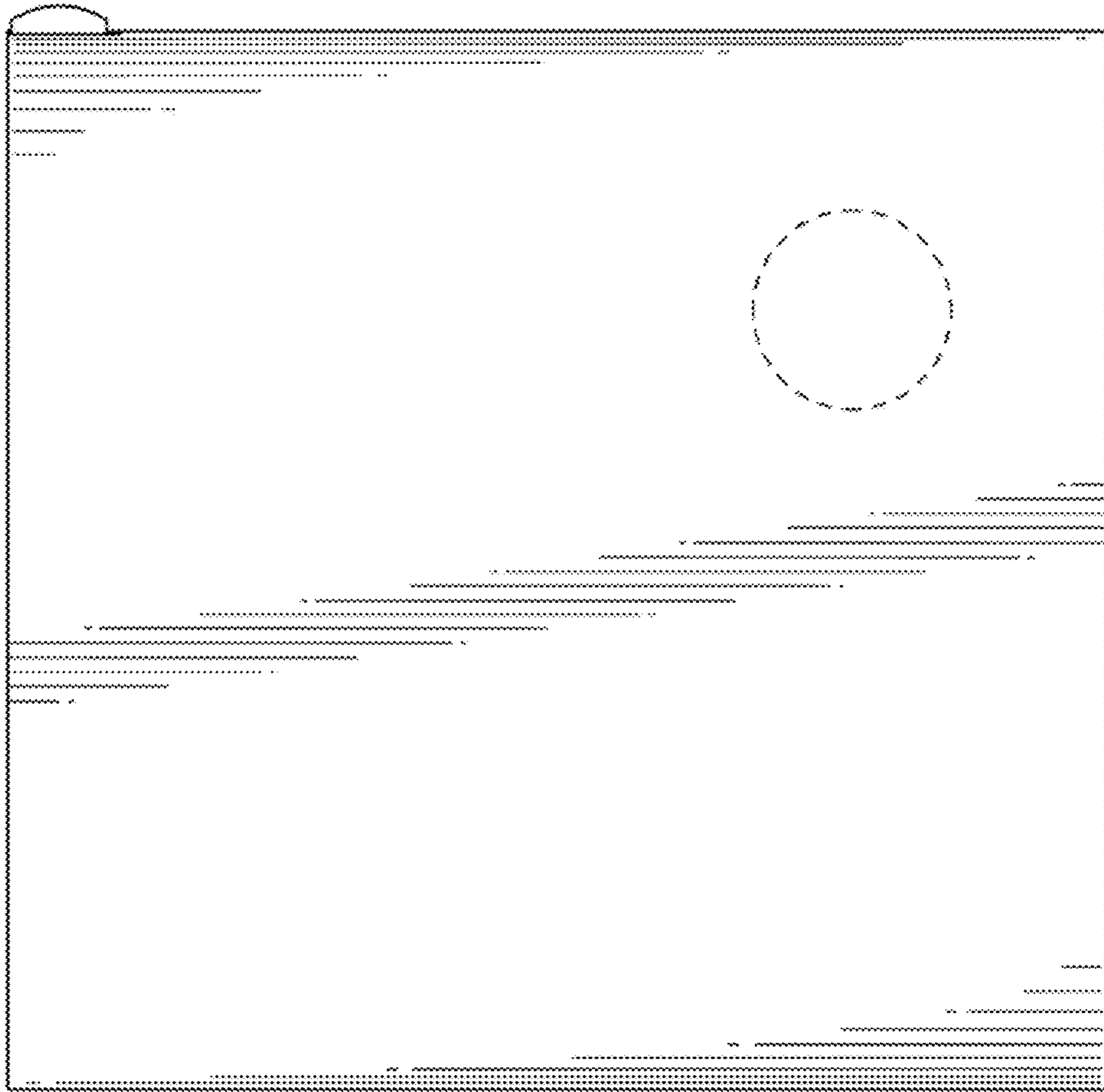
(56)

**References Cited**

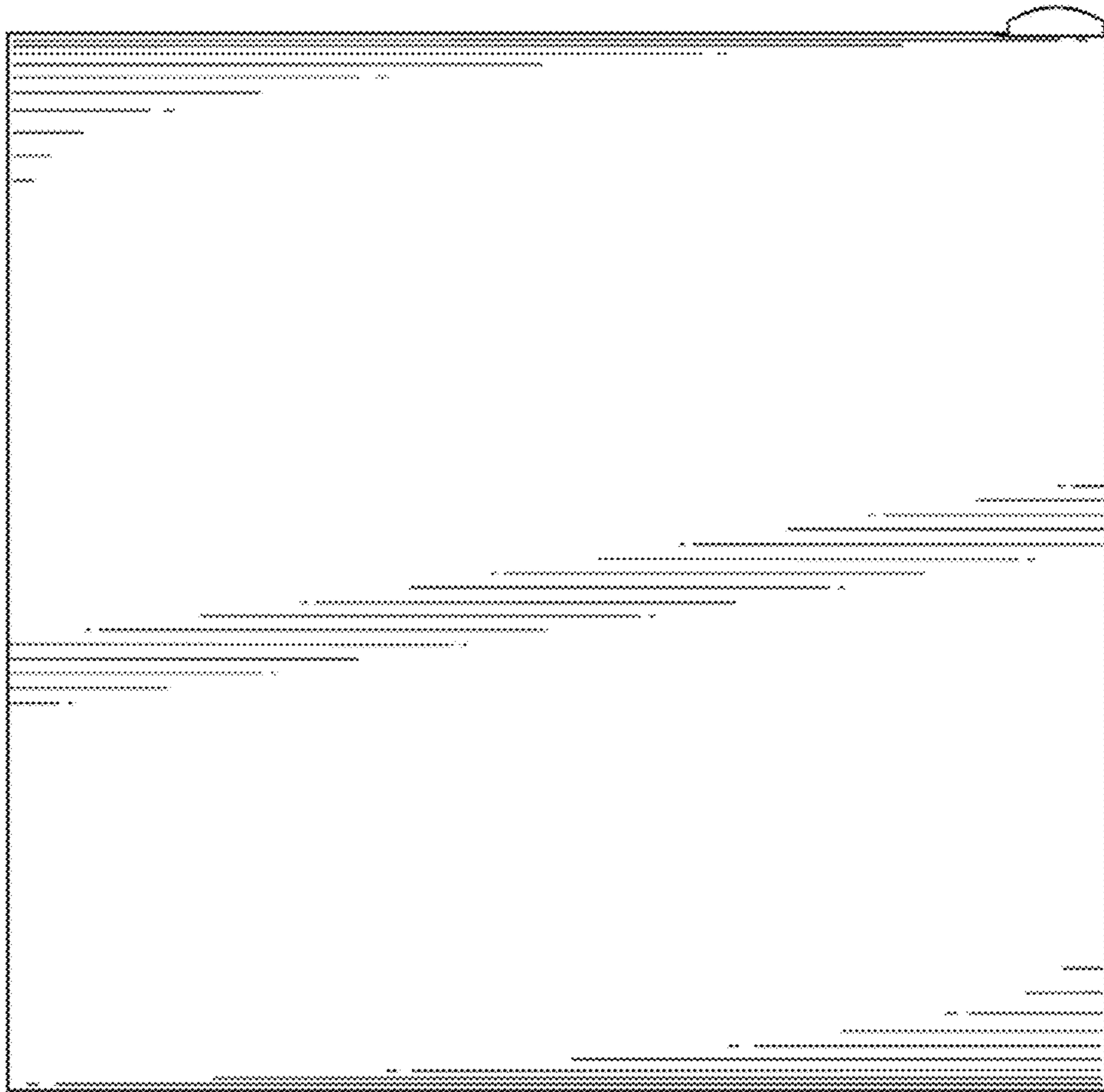
U.S. PATENT DOCUMENTS

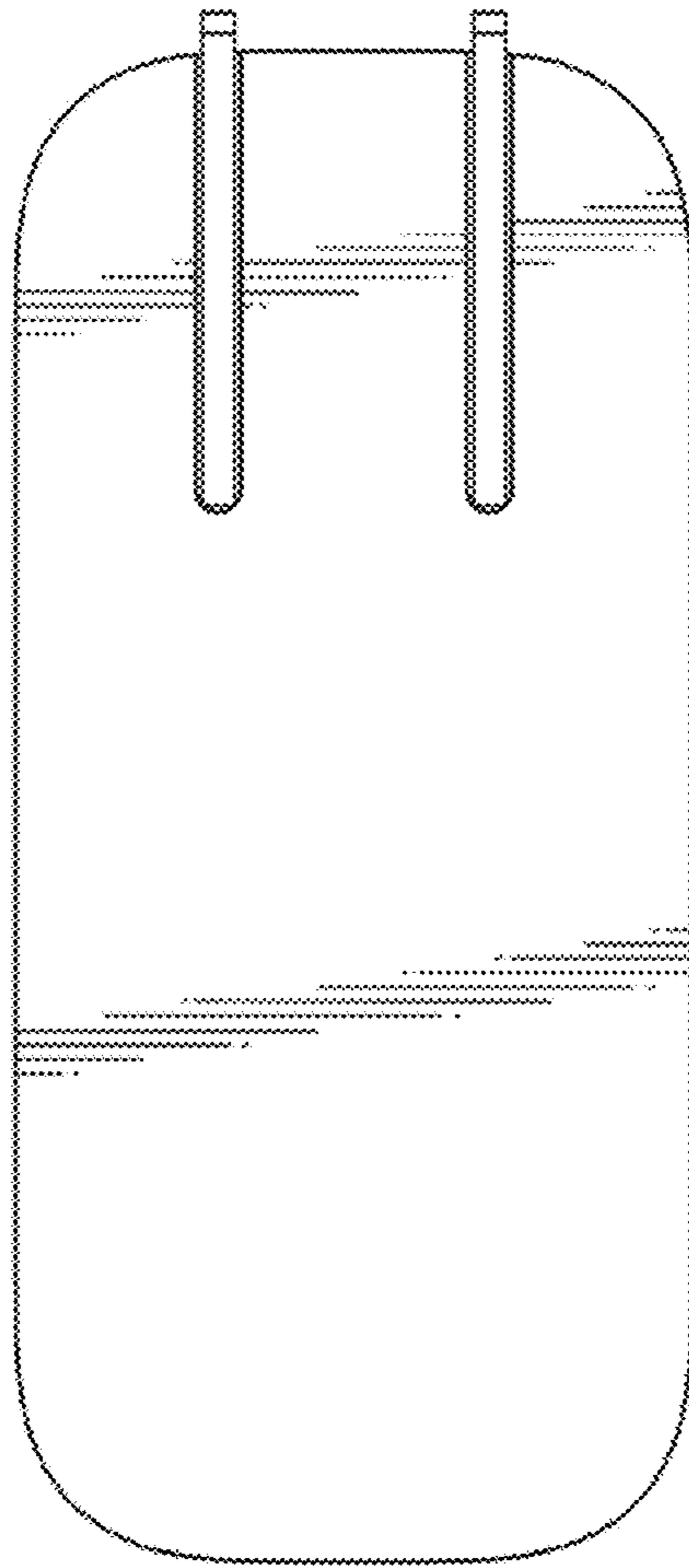
D883,198 S \* 5/2020 Zhang ..... D13/107  
2012/0077361 A1 \* 3/2012 Youssefi-Shams .....  
H01R 13/514  
439/172

\* cited by examiner

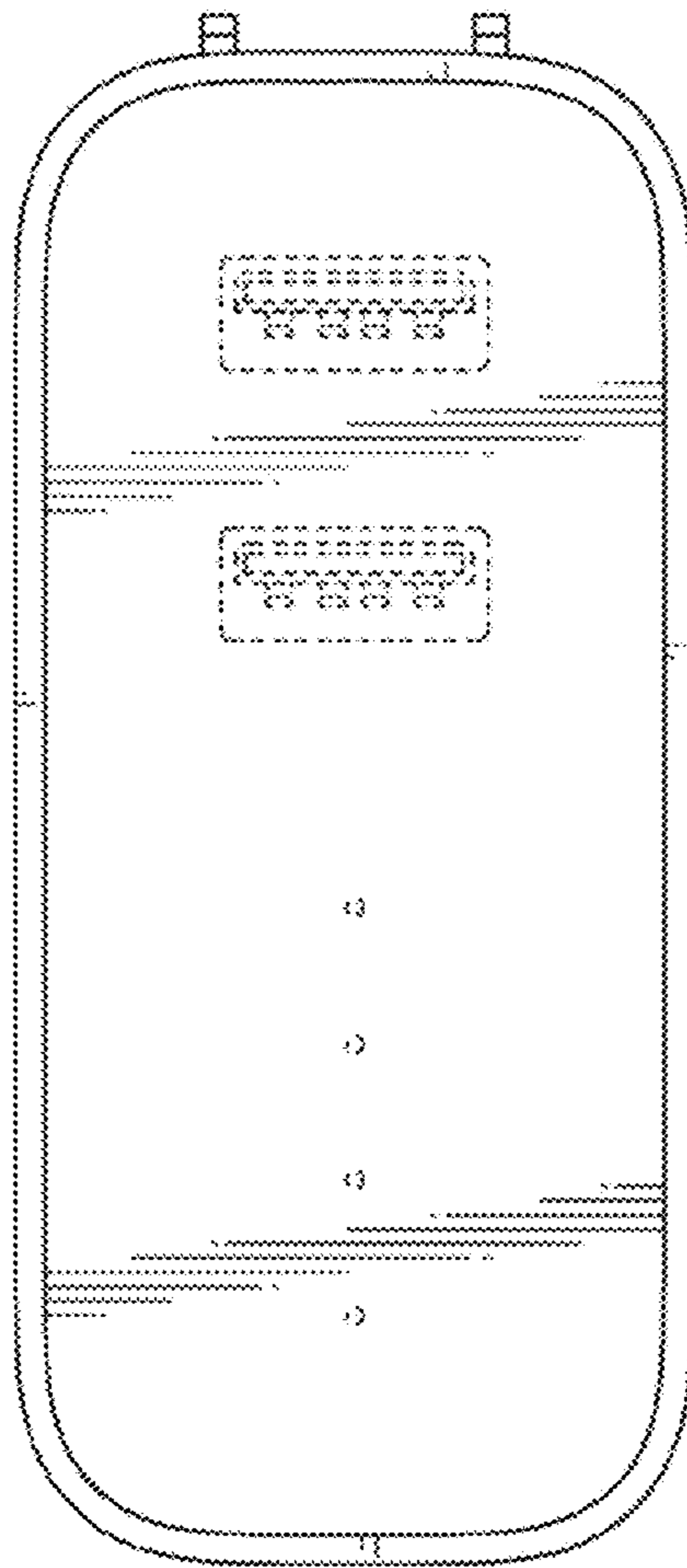


1.1

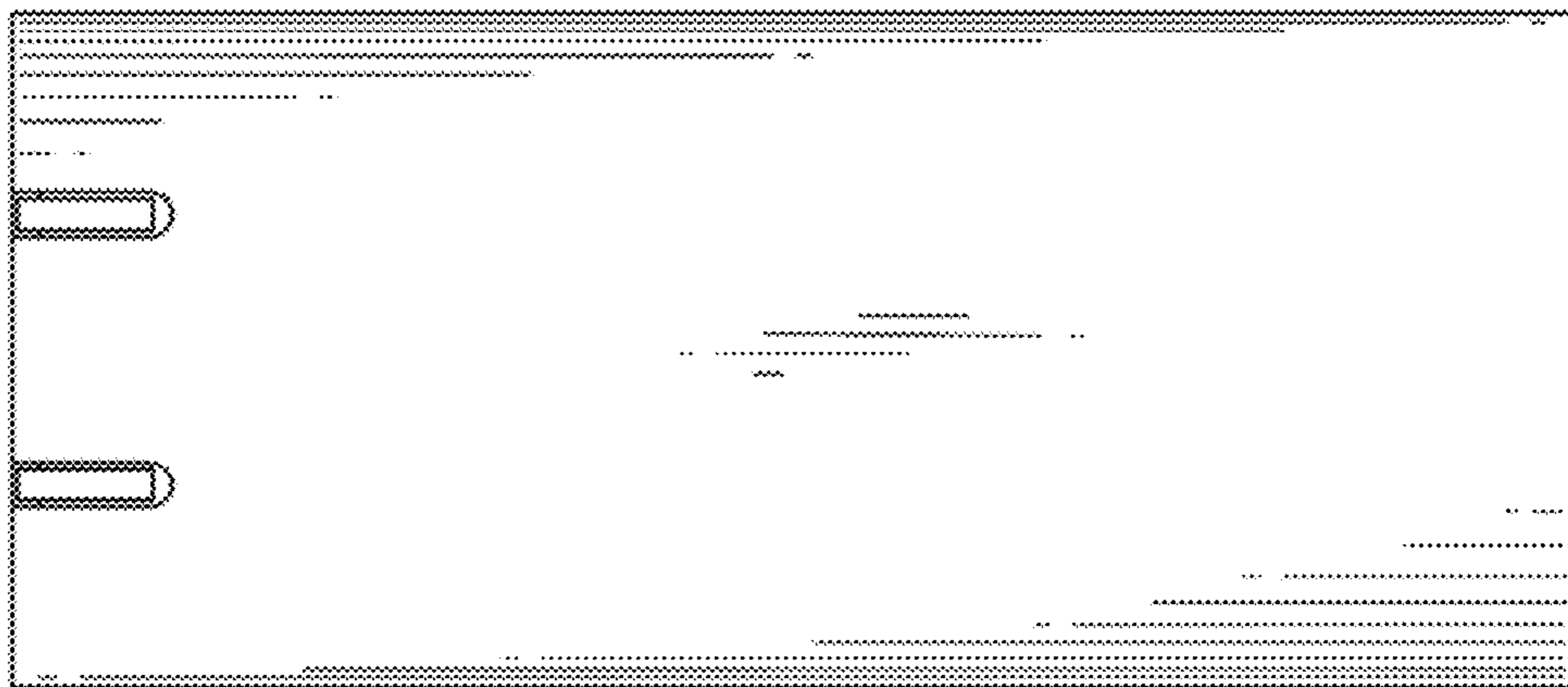


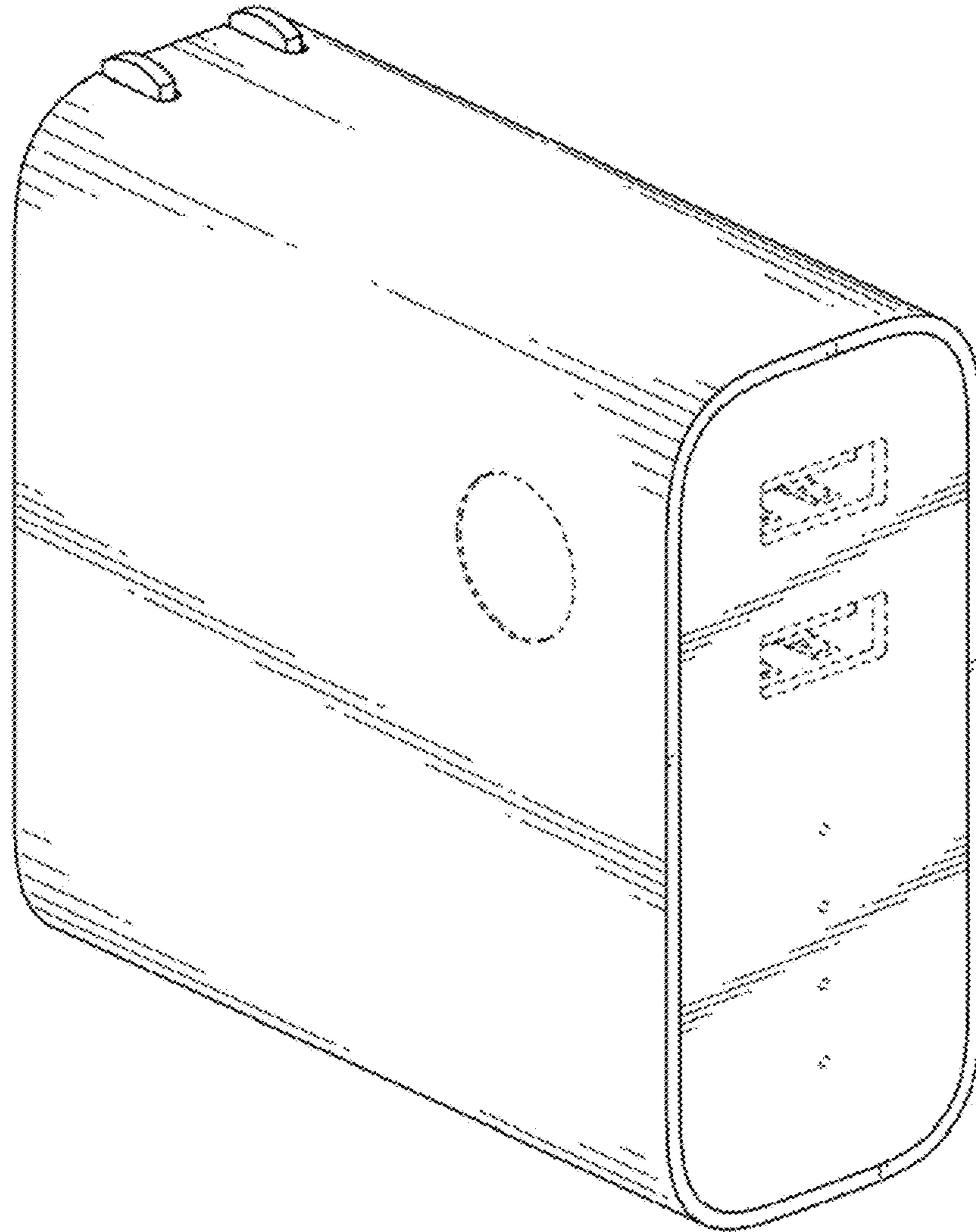


1.3



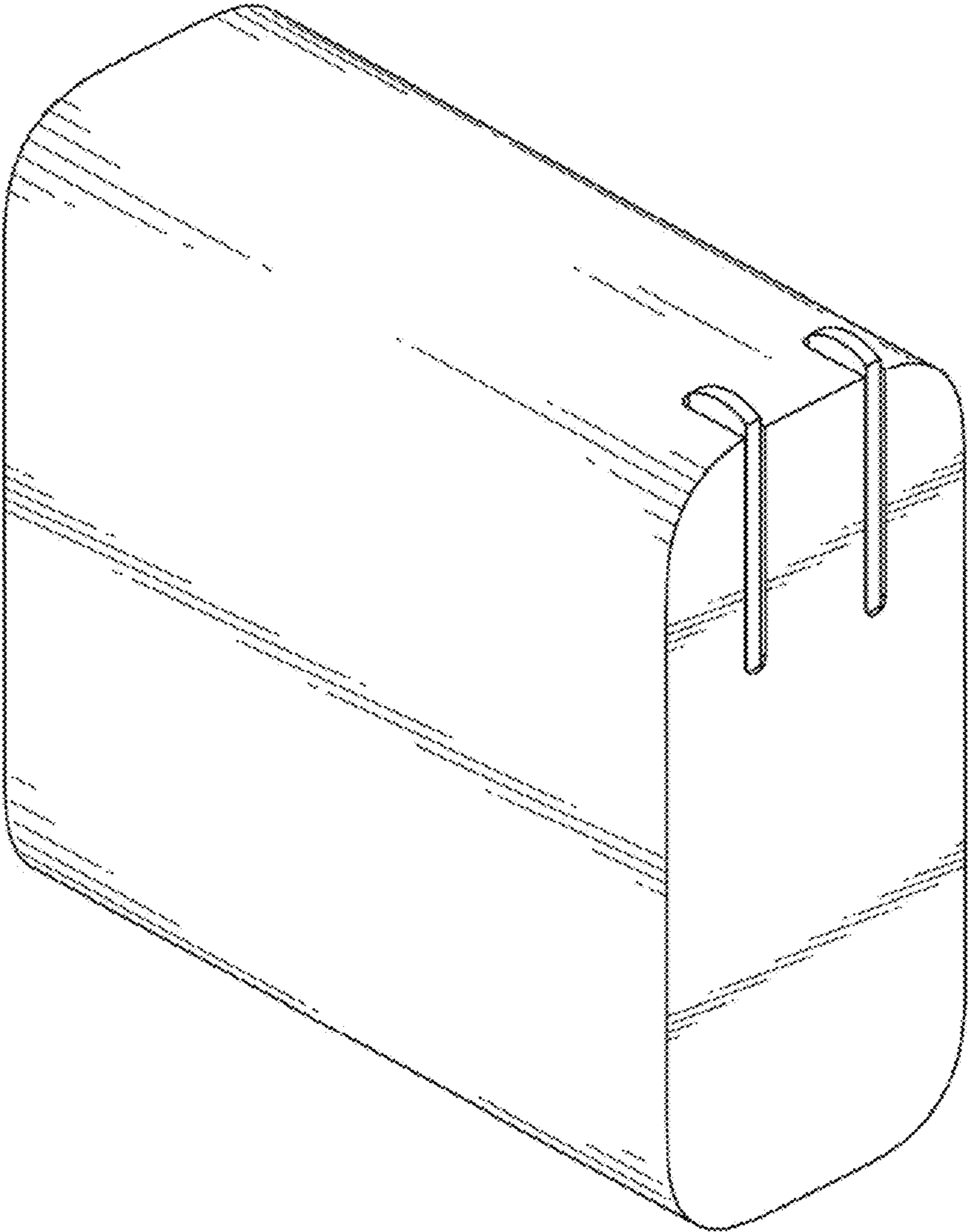
1.4



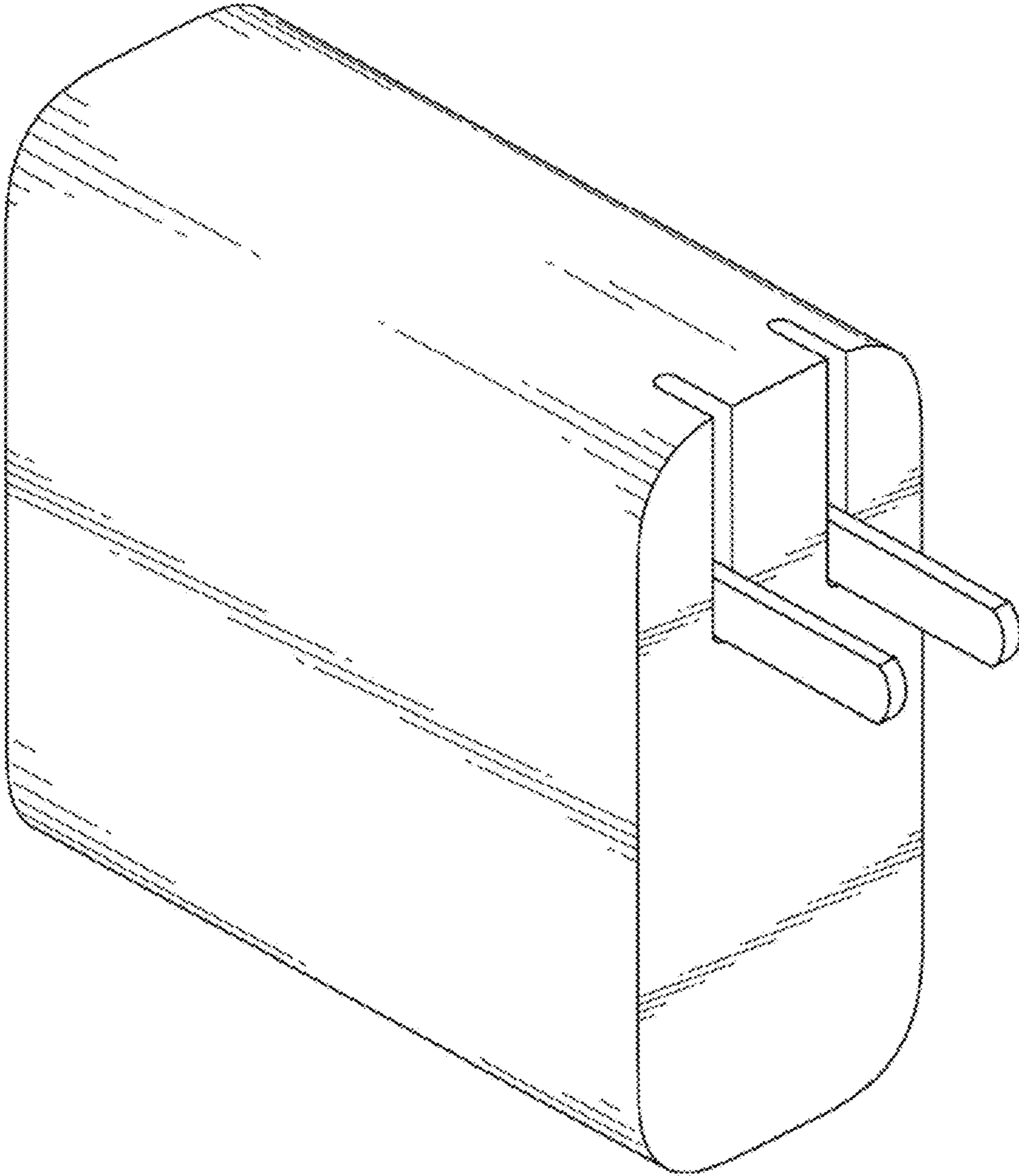


1.6





1.7



2.1