



US00D902865S

(12) **United States Design Patent** (10) **Patent No.:** **US D902,865 S**  
**Tung et al.** (45) **Date of Patent:** **\*\* Nov. 24, 2020**

(54) **CAR CHARGER FOR SMOKERS' ACCESSORIES**

D652,384 S \* 1/2012 Lee ..... D13/144  
D655,246 S \* 3/2012 Fitch ..... D13/144  
D691,954 S \* 10/2013 Lee ..... D13/144

(Continued)

(71) Applicant: **Philip Morris Products S.A.**,  
Neuchatel (CH)

FOREIGN PATENT DOCUMENTS

(72) Inventors: **Jeffrey Tung**, San Francisco, CA (US);  
**Jenny Yoon Joo Lee**, San Francisco,  
CA (US)

CN 201430202452.9 12/2014  
CN 201530007798.8 8/2015

(Continued)

(73) Assignee: **Philip Morris Products S.A.**,  
Neuchatel (CH)

OTHER PUBLICATIONS

(\*\*) Term: **15 Years**

“Tecknet Car Charger”. Found online Mar. 10, 2020 at amazon.co.uk. Reference dated Jul. 16, 2012. Retrieved from [https://www.amazon.co.uk/TeckNet-PowerDash-Technology-Certified-Lightning/dp/B00WXA5YS8/ref=sr\\_1\\_24?keywords=car+charger&qid=1583872710&sr=8-24](https://www.amazon.co.uk/TeckNet-PowerDash-Technology-Certified-Lightning/dp/B00WXA5YS8/ref=sr_1_24?keywords=car+charger&qid=1583872710&sr=8-24) (Year: 2012).\*

(Continued)

(21) Appl. No.: **29/675,764**

(22) Filed: **Jan. 4, 2019**

(30) **Foreign Application Priority Data**

Jul. 6, 2018 (EM) ..... 05445509-0003  
Jul. 6, 2018 (EM) ..... 05445509-0004  
Jul. 6, 2018 (EM) ..... 05445509-0005

*Primary Examiner* — Kendra Leslie Hamilton

*Assistant Examiner* — Amanda Christensen

(74) *Attorney, Agent, or Firm* — Oblon, McClelland,  
Maier & Neustadt, L.L.P.

(51) **LOC (12) Cl.** ..... **13-03**

(52) **U.S. Cl.**  
USPC ..... **D13/144**

(57) **CLAIM**

The ornamental design for a car charger for smokers' accessories, as shown and described.

(58) **Field of Classification Search**

USPC ..... D13/107, 108, 110, 118, 119, 120, 123,  
D13/133, 144, 154, 184, 199; D14/137,  
D14/155, 217, 432, 433, 434  
CPC ..... Y02E 60/12; H01R 24/58; H01R 31/06;  
H01R 2201/26; H01R 31/02; B60N 3/14;  
B60R 2011/005

**DESCRIPTION**

See application file for complete search history.

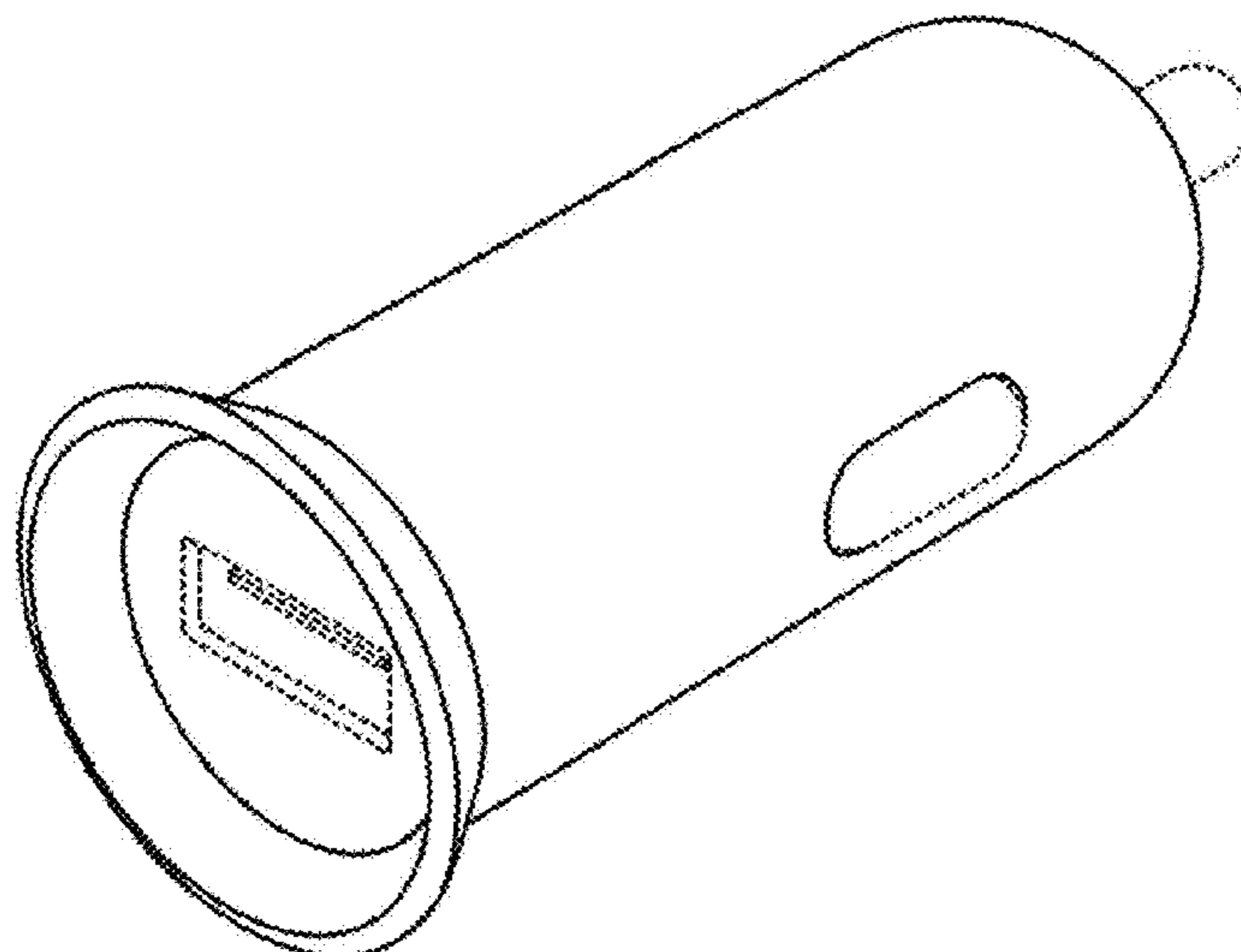
FIG. 1 is a front, top, and left side perspective view of a car charger for smokers' accessories;  
FIG. 2 is a front elevational view thereof;  
FIG. 3 is a rear elevational view thereof;  
FIG. 4 is a top plan view thereof;  
FIG. 5 is a bottom plan view thereof;  
FIG. 6 is a right side elevational view thereof; and,  
FIG. 7 is a left side elevational view thereof.  
The broken lines depict portions of the car charger for smokers' accessories that form no part of the claimed design.

(56) **References Cited**

U.S. PATENT DOCUMENTS

D614,136 S \* 4/2010 Chyan ..... D13/144  
D618,618 S \* 6/2010 Lee ..... D13/108  
D624,498 S 9/2010 Chan  
D631,837 S \* 2/2011 Smith ..... D13/108

**1 Claim, 7 Drawing Sheets**



(56)

**References Cited**

U.S. PATENT DOCUMENTS

D697,482 S *	1/2014	Cheng	.....	D13/144
D711,830 S *	8/2014	Liu	.....	D13/144
D719,916 S *	12/2014	Cheng	.....	D13/144
9,438,051 B2 *	9/2016	Firman, II	.....	H02J 7/0042
D778,822 S *	2/2017	Broadhurst, IV	.....	D13/107
D807,289 S *	1/2018	Wang	.....	D13/107
2013/0171879 A1 *	7/2013	Yang	.....	H01H 85/542 439/620.28

FOREIGN PATENT DOCUMENTS

CN	201530052423.3	9/2015
CN	201730169884.8	10/2017

OTHER PUBLICATIONS

“Anker Car Charger”. Found online Mar. 10, 2020 at [amazon.co.uk](https://www.amazon.co.uk). Reference dated Mar. 7, 2019. Retrieved from <https://www.amazon.co.uk>.

[co.uk/Anker-Charger-PowerDrive-Adapter-iPhone-Black/dp/B07PGT7LSR/ref=sr\\_1\\_5?keywords=anker+car+charger&qid=1583871947&sr=8-5](https://www.amazon.co.uk/Anker-Charger-PowerDrive-Adapter-iPhone-Black/dp/B07PGT7LSR/ref=sr_1_5?keywords=anker+car+charger&qid=1583871947&sr=8-5) (Year: 2019).\*

“Otterbox Car Charger”. Found online Mar. 4, 2020 at [amazon.ca/Otterbox-7851151-Car-Charger-USB-Black/dp/B01NAWYTMM](https://www.amazon.ca/Otterbox-7851151-Car-Charger-USB-Black/dp/B01NAWYTMM) (Year: 2017).\*

Japanese Office Action dated Jan. 6, 2020, in Design Application No. 2019-000074, 1 page.

Japanese Decision of Grant dated Jan. 6, 2020, in Design Application No. 2019-000074, 1 page.

“Charger adapter/Car charger/Cable Manufacturing and Sales”, Guangjia International Co., Ltd., HD 29003694, No. 033, retrieved by JPO on Jul. 28, 2017, 2 pages.

Office Action dated Dec. 11, 2019 in corresponding Russian Patent Application No. 2018505762/49 (with English Translation), citing documents AO-AR therein, 4 pages.

\* cited by examiner

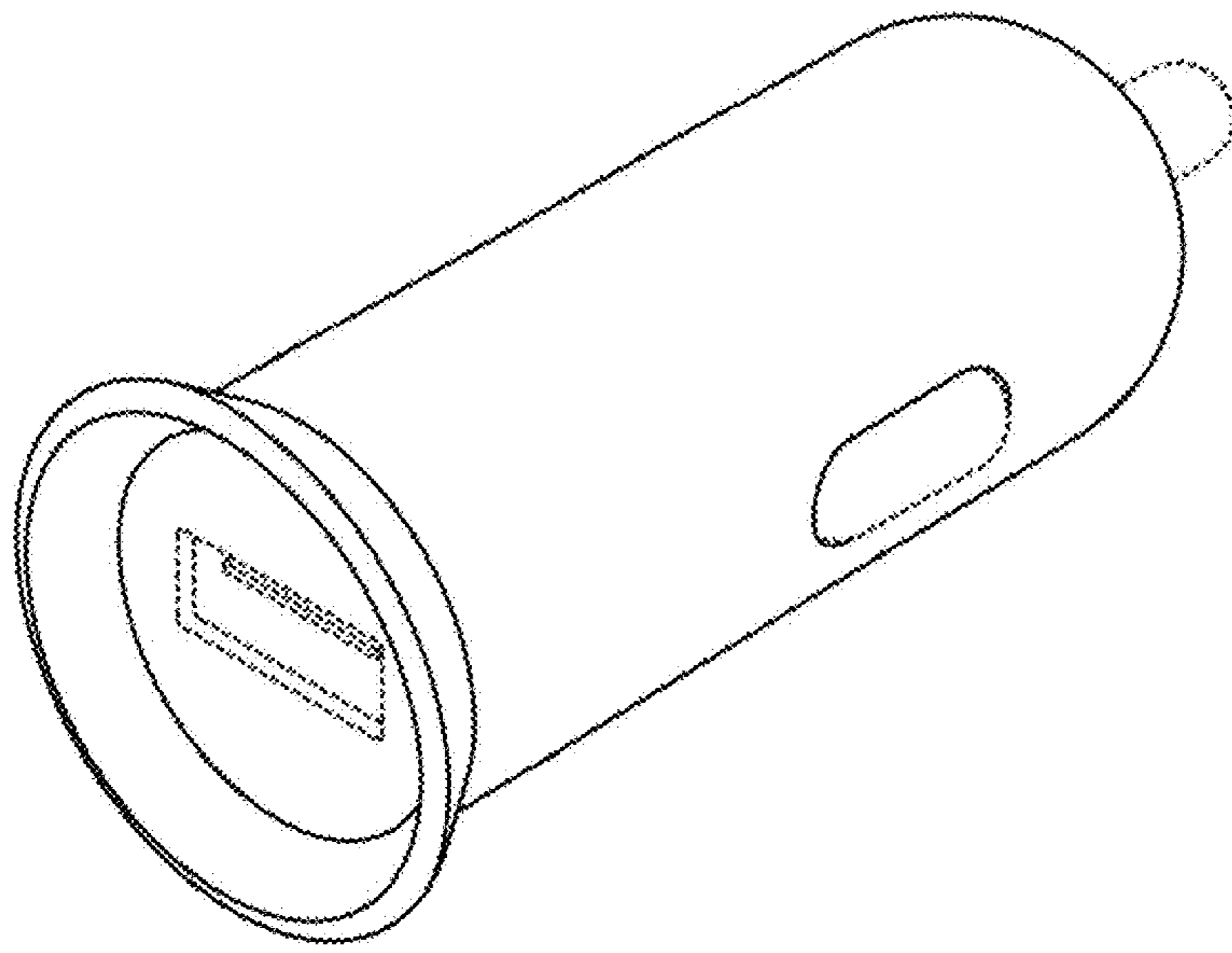


FIG. 1

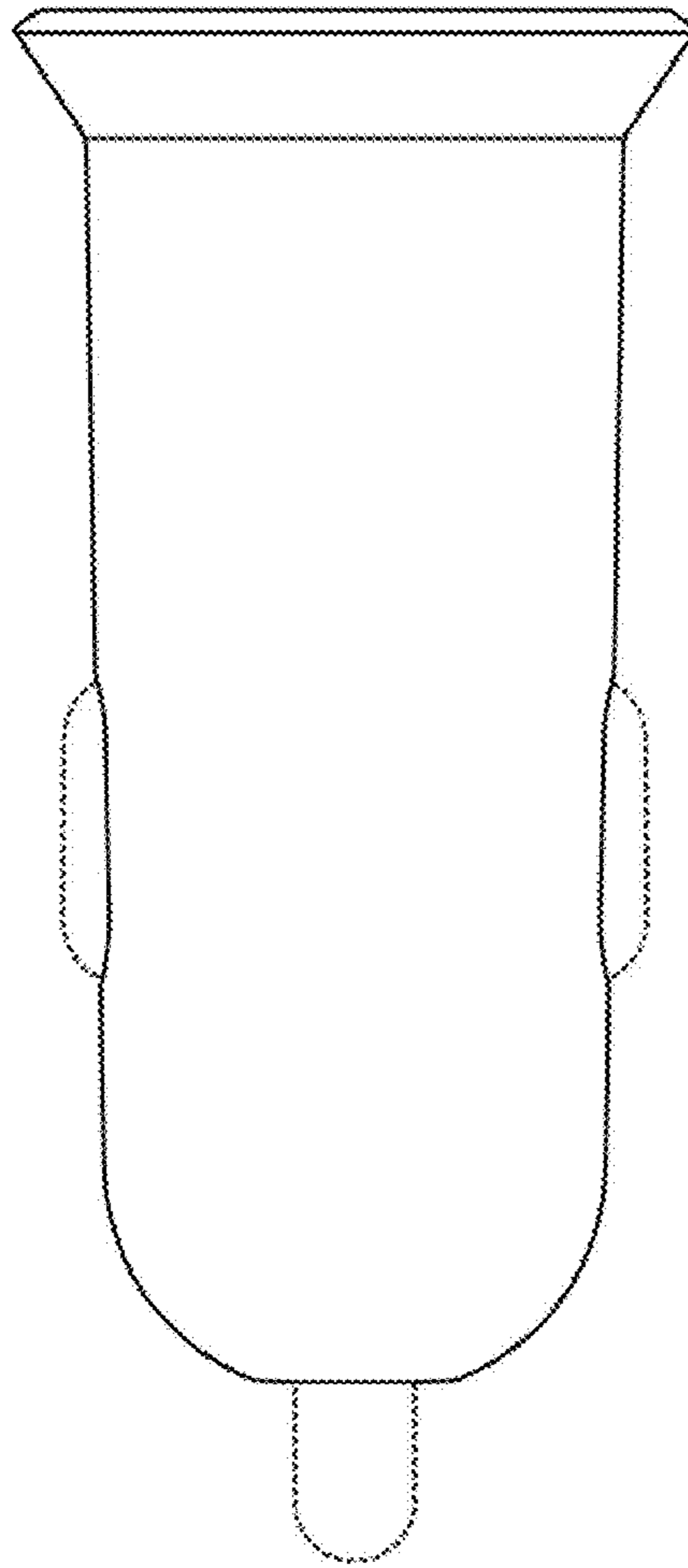


FIG. 2

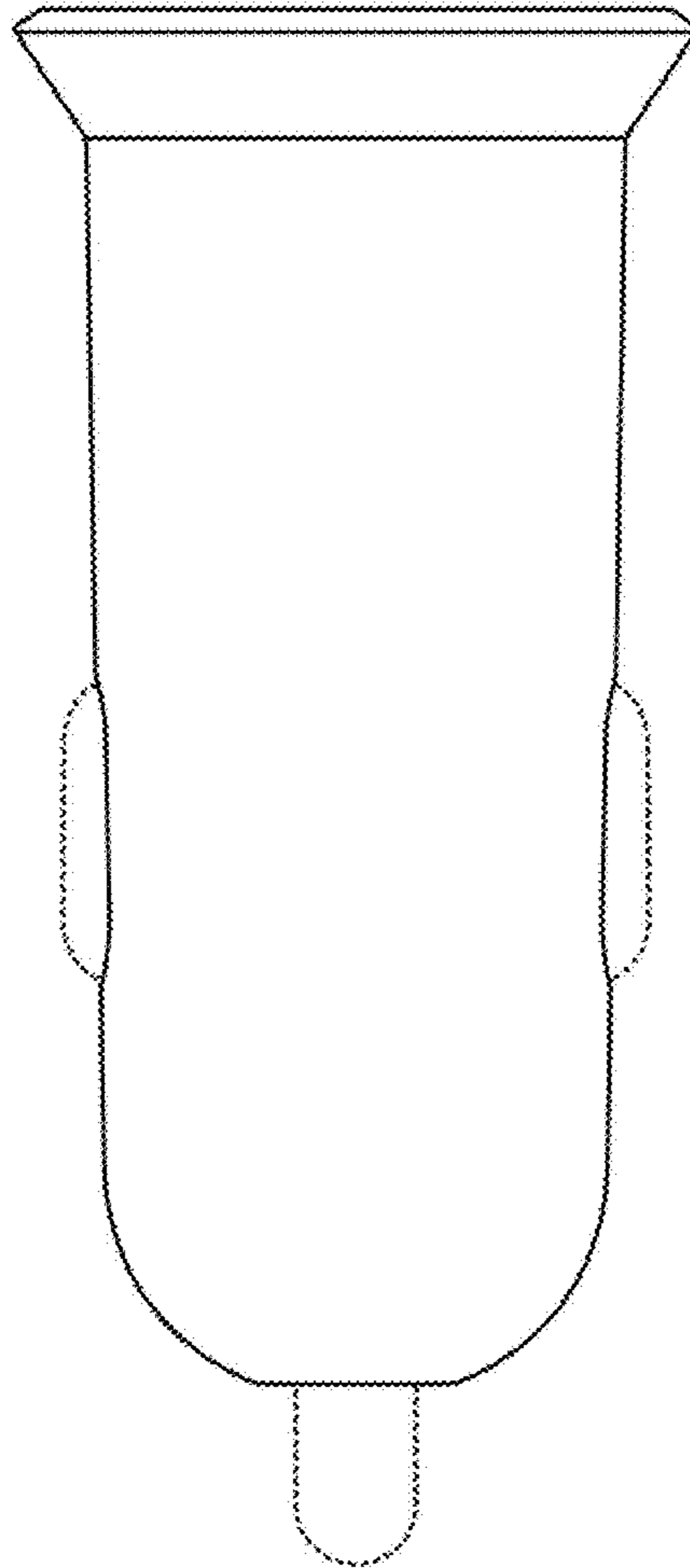


FIG. 3

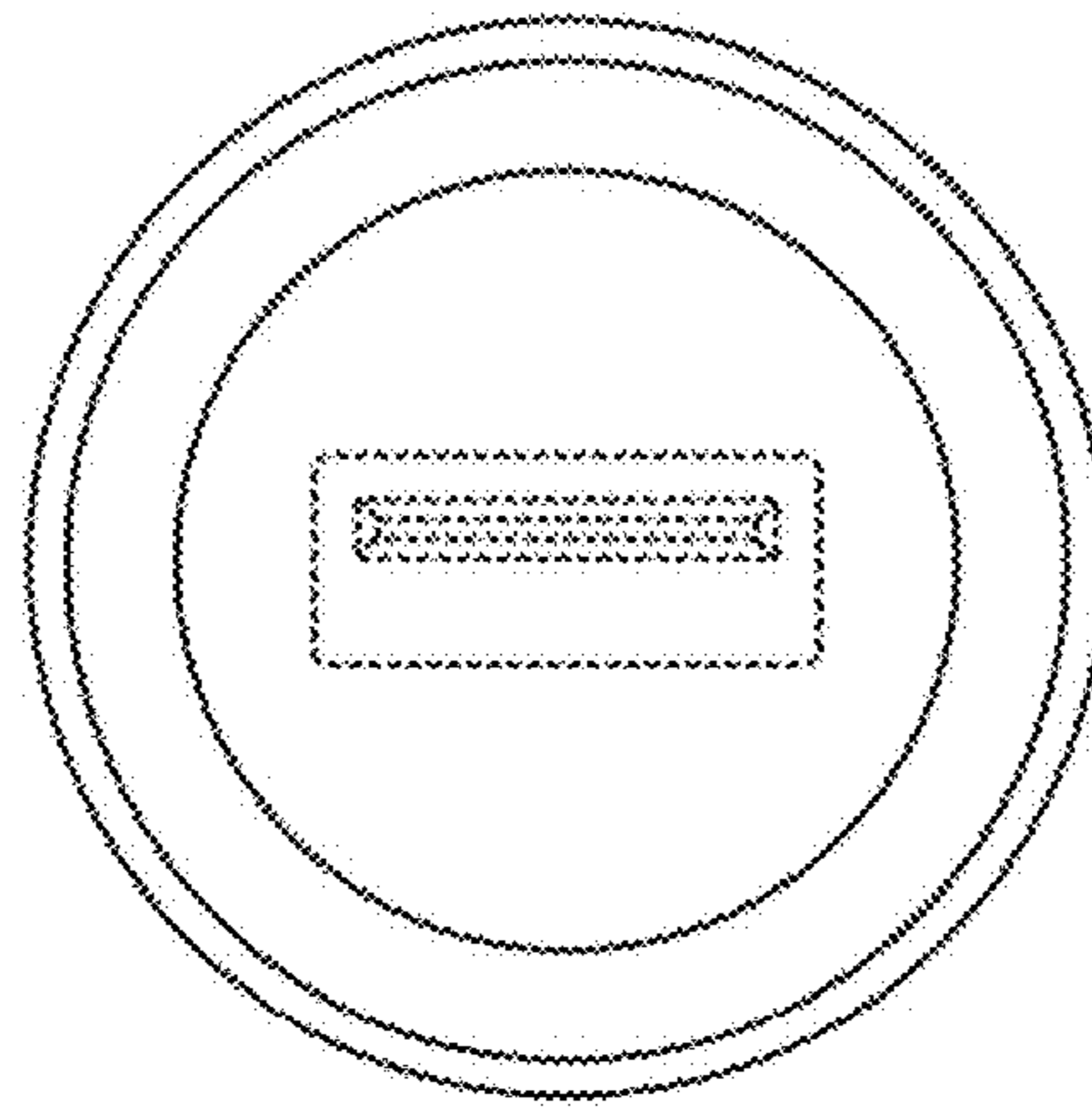


FIG. 4

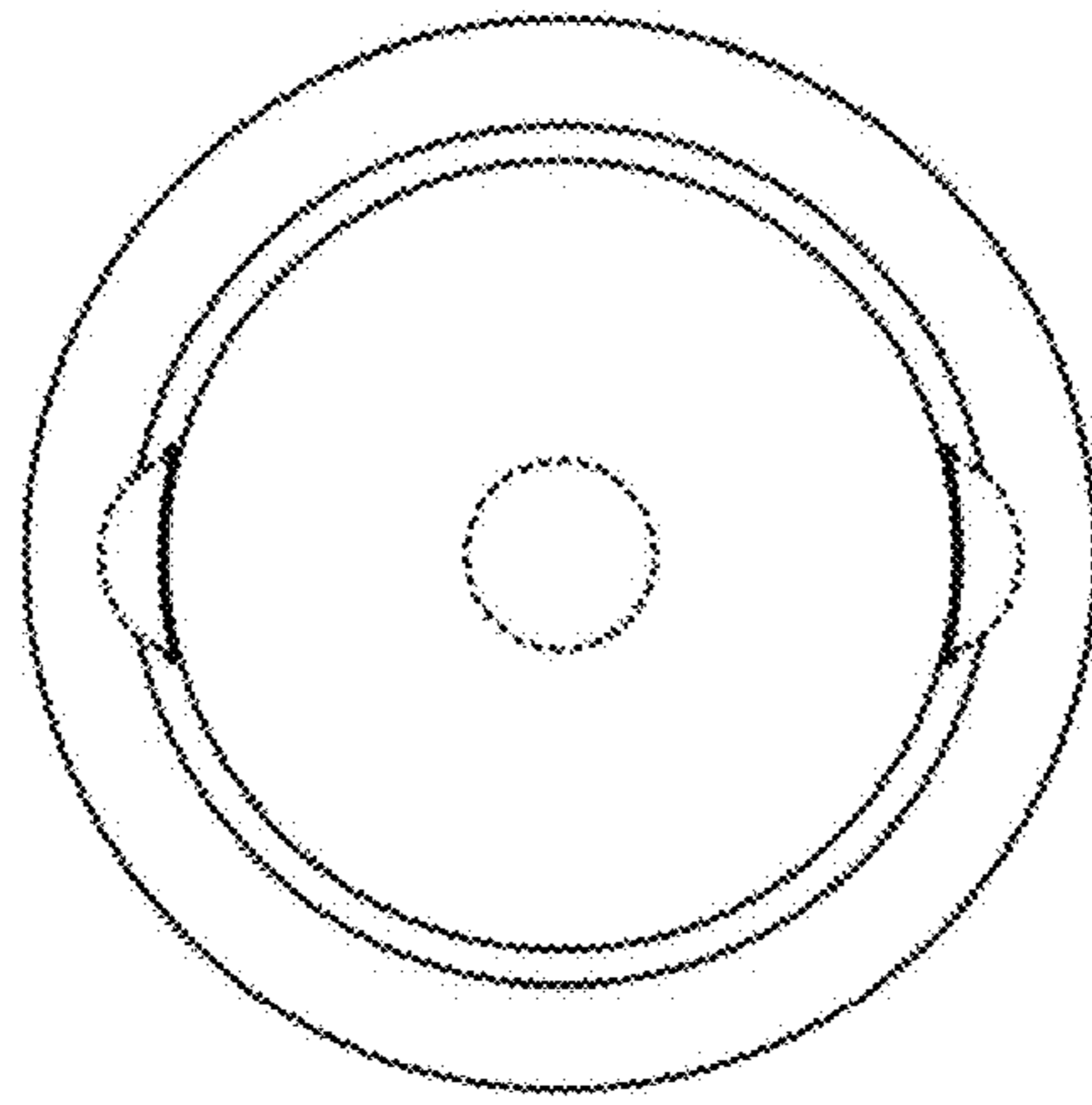


FIG. 5

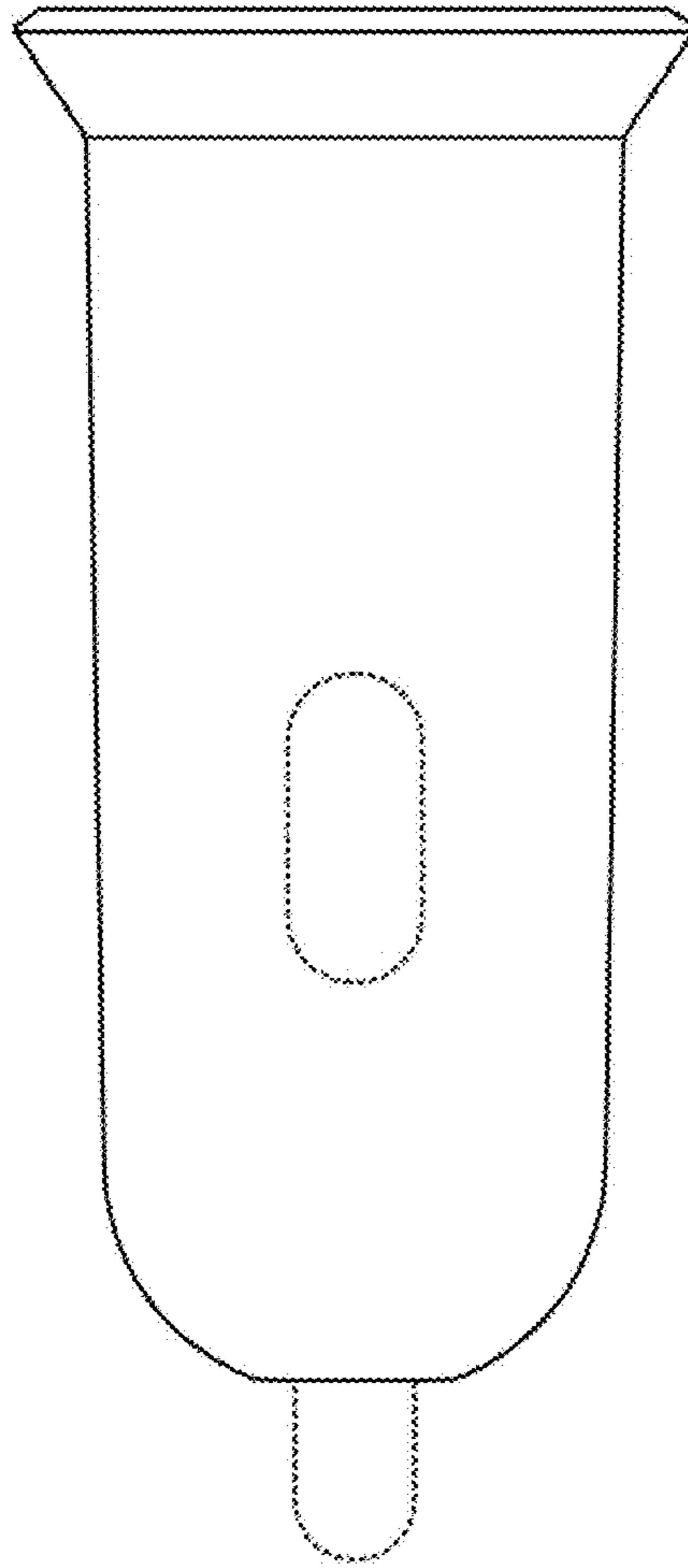


FIG. 6



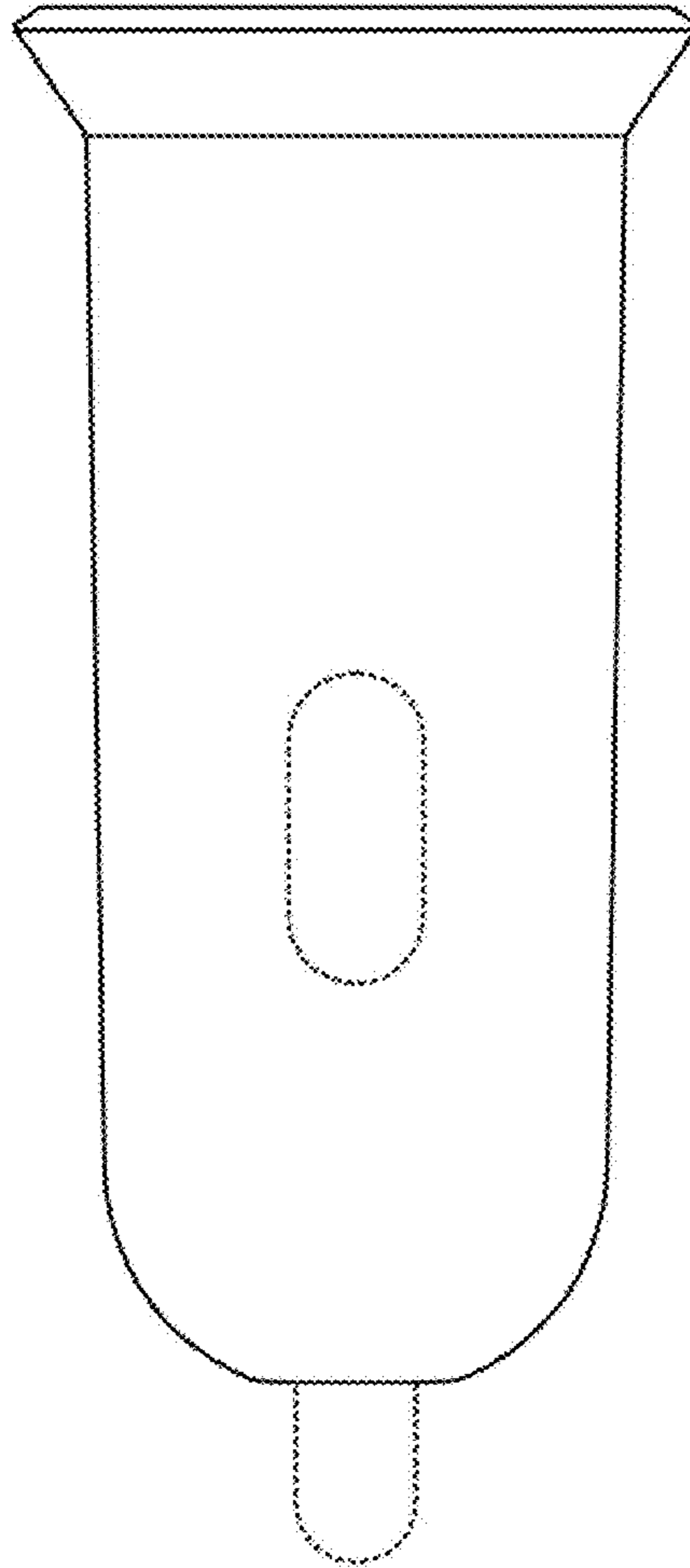


FIG. 7