



US00D902862S

(12) **United States Design Patent** (10) **Patent No.:** **US D902,862 S**
Rupert (45) **Date of Patent:** **** *Nov. 24, 2020**

- (54) **ELECTRICAL RECEPTACLE**
- (71) Applicant: **Group Dekko, Inc.**, Garrett, IN (US)
- (72) Inventor: **Brian Rupert**, Kendallville, IN (US)
- (73) Assignee: **Group Dekko, Inc.**, Garrett, IN (US)
- (*) Notice: This patent is subject to a terminal disclaimer.
- (**) Term: **15 Years**
- (21) Appl. No.: **29/673,321**
- (22) Filed: **Dec. 13, 2018**
- (51) **LOC (12) Cl.** **13-03**
- (52) **U.S. Cl.**
USPC **D13/137.1**
- (58) **Field of Classification Search**
USPC D13/137.1–137.2, 139.1–139.4, 110
CPC H01R 25/006; H01R 27/02
See application file for complete search history.

D801,936 S *	11/2017	Rose	D13/139.4
D804,419 S *	12/2017	Hayes	D13/139.4
D808,339 S *	1/2018	Page	D13/139.4
D812,009 S *	3/2018	Hayes	D13/139.4
D848,371 S *	5/2019	Byrne	D13/139.4
D856,937 S *	8/2019	Rupert	D13/139.4
D872,695 S *	1/2020	Bo	D13/137.2
D874,401 S *	2/2020	Zhong	D13/110
D883,219 S *	5/2020	Lyu	D13/139.1

* cited by examiner

Primary Examiner — Rhea Shields
(74) *Attorney, Agent, or Firm* — Taylor IP, P.C.

(57) **CLAIM**

The ornamental design for an electrical receptacle, as shown and described.

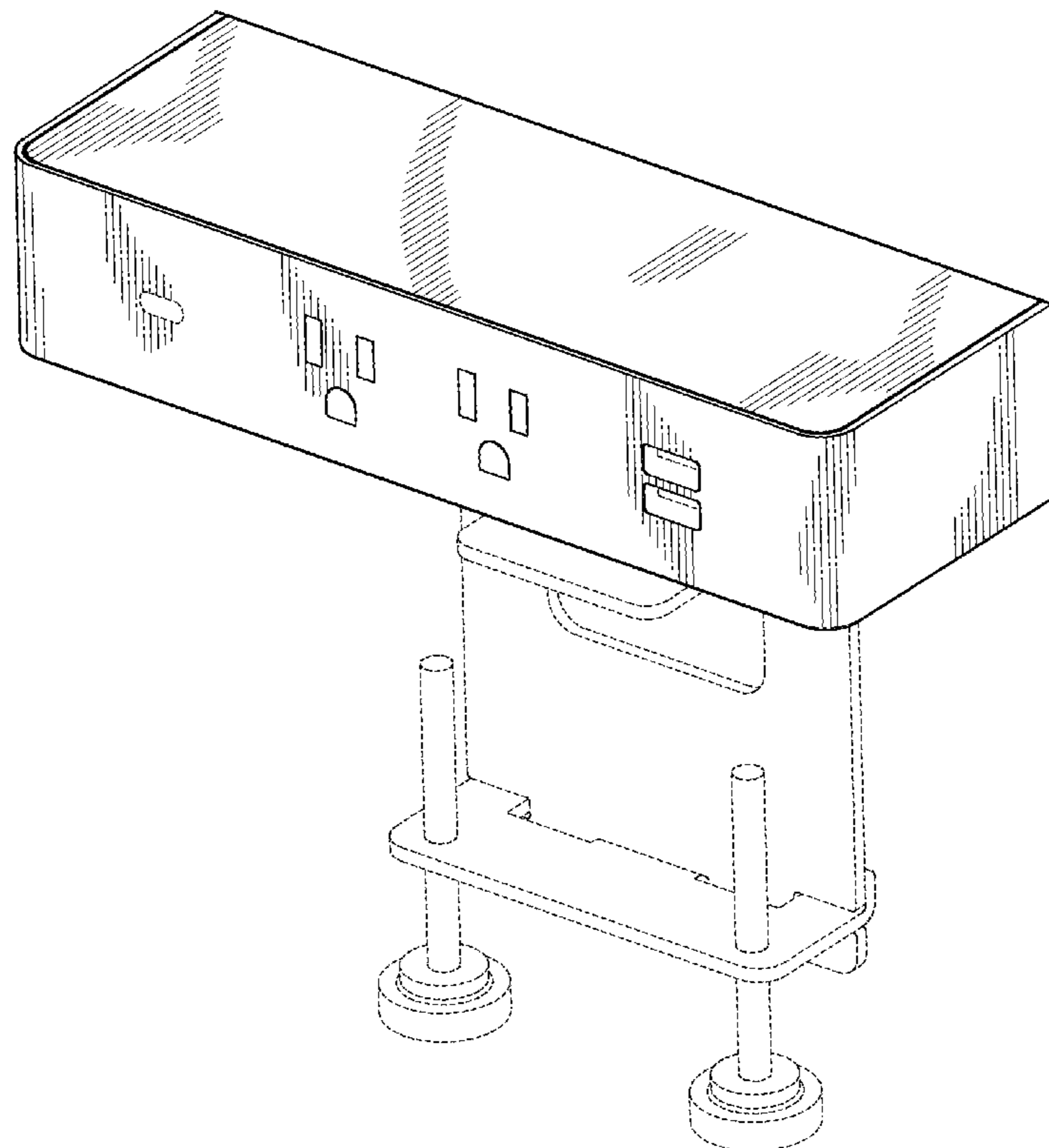
DESCRIPTION

FIG. 1 is a perspective view of an electrical receptacle showing my new design;
FIG. 2 is a front view thereof;
FIG. 3 is a rear view thereof;
FIG. 4 is a top view thereof;
FIG. 5 is a bottom view thereof; and,
FIG. 6 is a side view thereof, the opposite side view being substantially identical.

The broken lines shown in the electrical receptacle are for the purpose of illustrating environmental subject matter and portions of the article that form no part of the claimed design.

1 Claim, 3 Drawing Sheets

- (56) **References Cited**
U.S. PATENT DOCUMENTS
5,566,053 A * 10/1996 Chou H01R 25/006
174/50
D740,228 S * 10/2015 Page D13/139.4
D755,129 S * 5/2016 Page D13/139.4
9,614,336 B2 * 4/2017 Los H01R 27/02
D798,818 S * 10/2017 Kondas D13/139.4
D799,428 S * 10/2017 Kondas D13/139.4



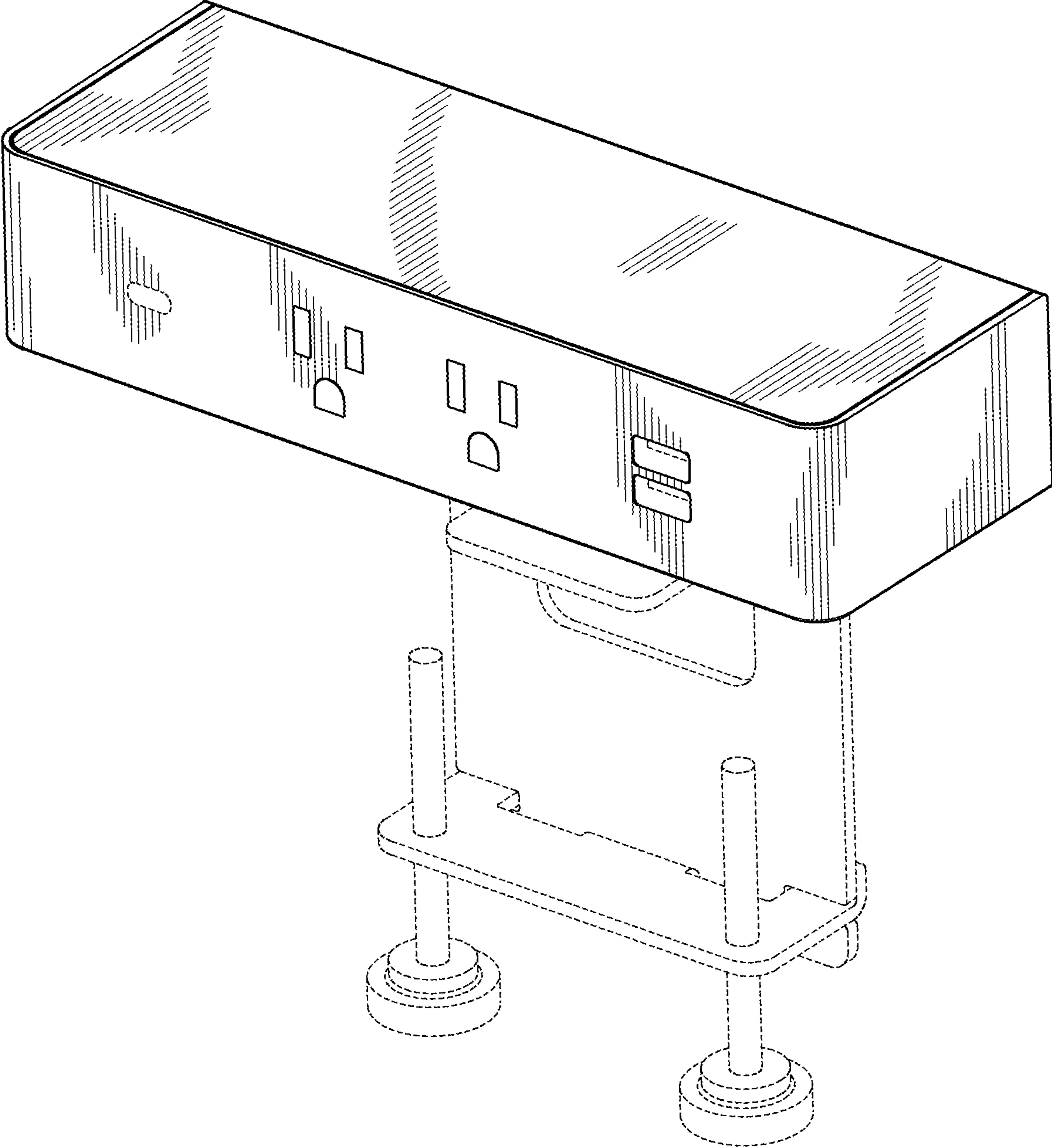


FIG. 1

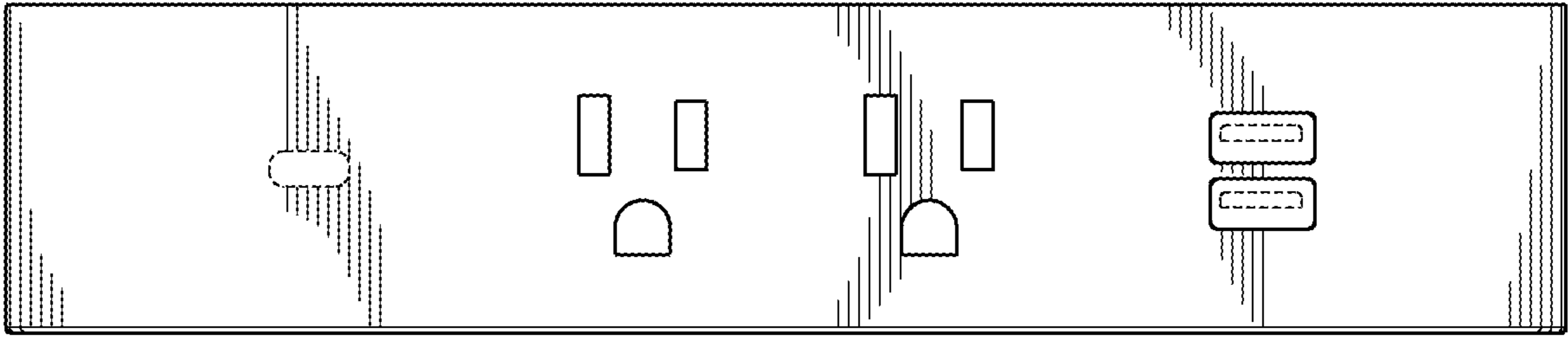


FIG. 2

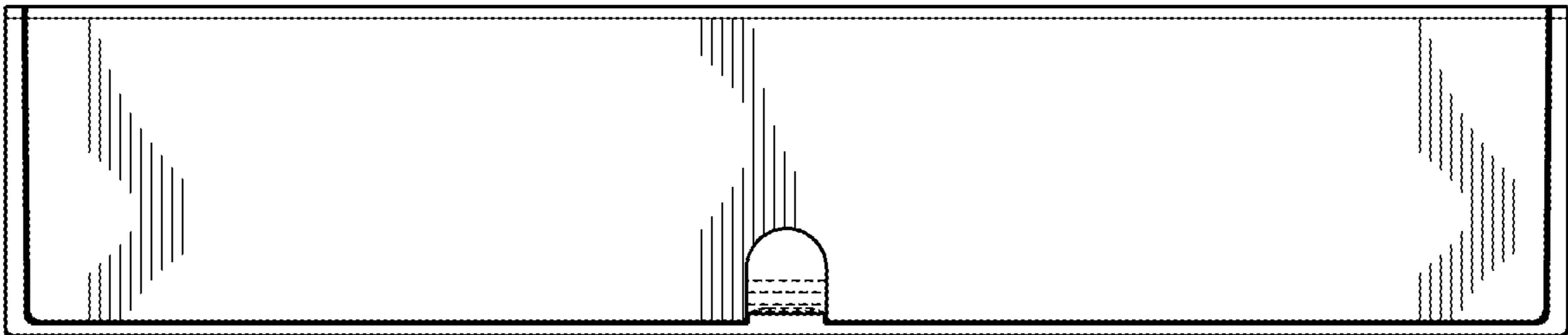


FIG. 3

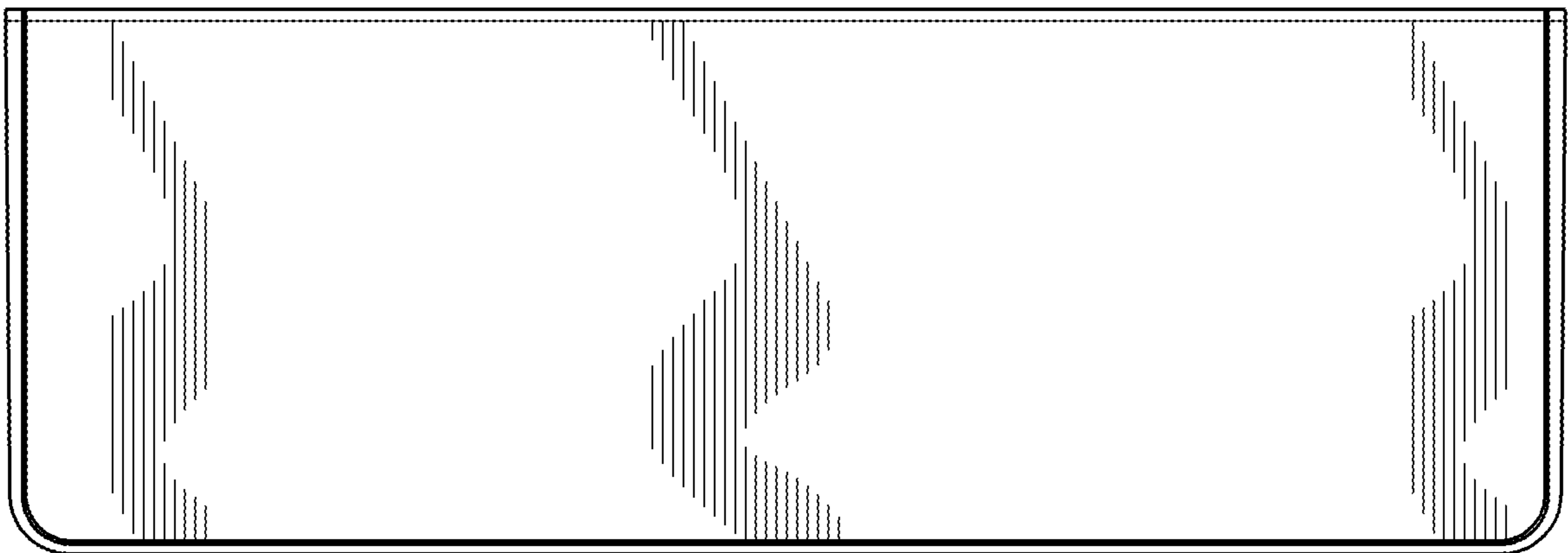


FIG. 4

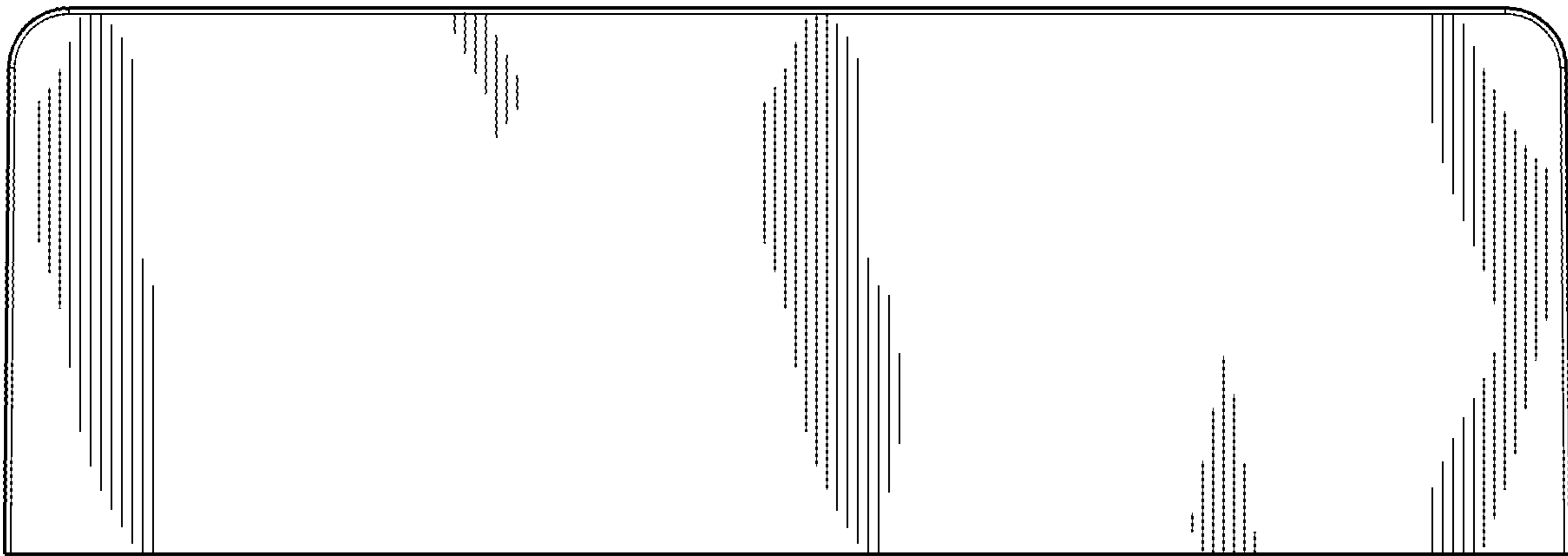


FIG. 5

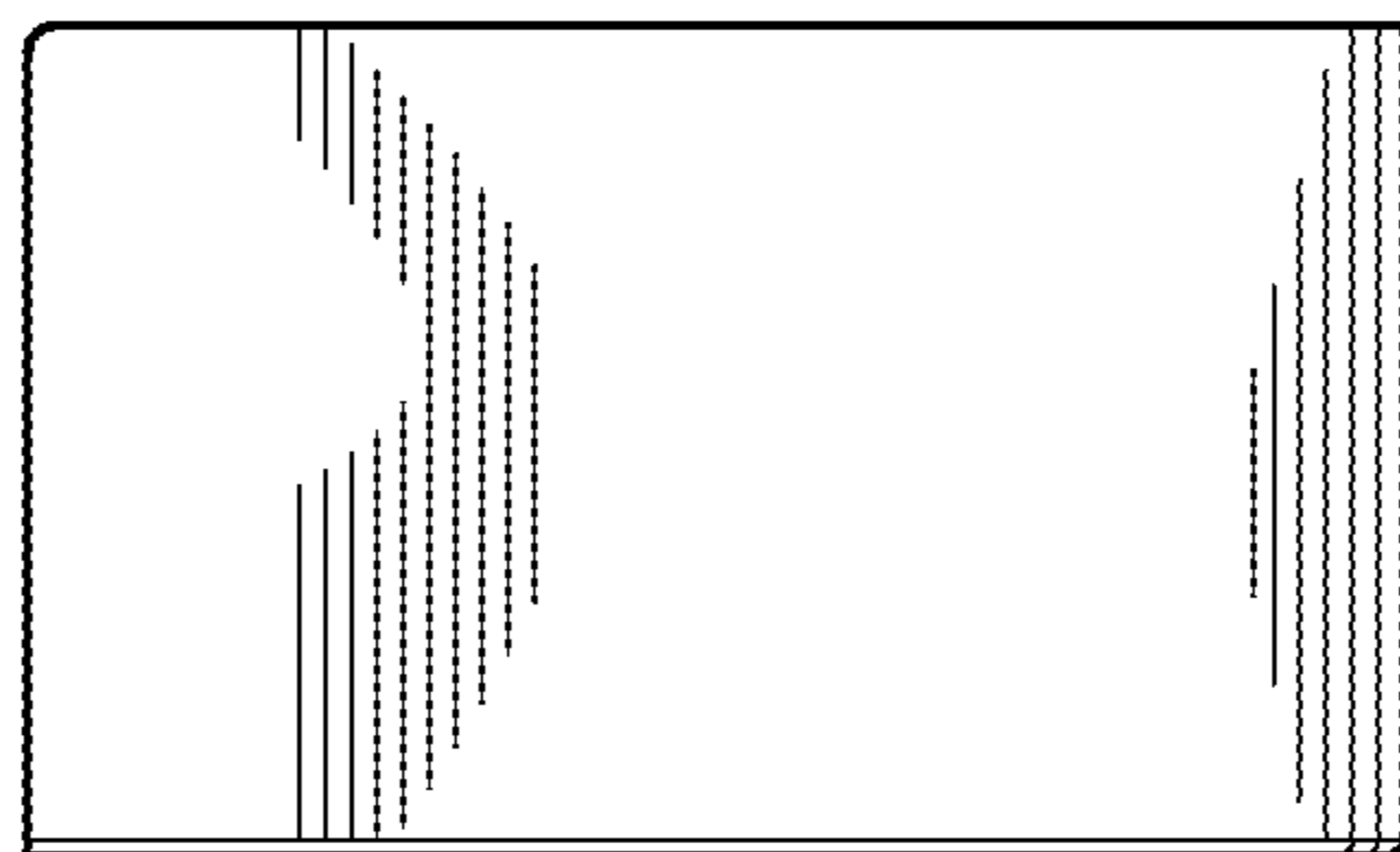


FIG. 6