

US00D902861S

(12) **United States Design Patent** (10) **Patent No.:** **US D902,861 S**
Hirmke et al. (45) **Date of Patent:** **** Nov. 24, 2020**

(54) **HOUSING CONNECTOR**
(71) Applicant: **STÄUBLI ELECTRICAL CONNECTORS AG**, Allschwil (CH)
(72) Inventors: **Joachim Hirmke**, Nuremberg (DE);
Alexander Hänggi, Duggingen (CH)
(73) Assignee: **STAUBLI ELECTRICAL CONNECTORS AG**, Allschwil (CH)

D708,138 S * 7/2014 Sticker D13/133
D717,734 S * 11/2014 Habirov D13/147
D747,270 S * 1/2016 Severing D13/146
D800,066 S * 10/2017 Sasaki D13/133
D801,934 S * 11/2017 Sasaki D13/133
9,899,752 B2 * 2/2018 Wu H01R 4/4818
10,056,861 B2 * 8/2018 Sauerzapf H02S 40/34
D830,974 S * 10/2018 Kufner D13/154
D862,394 S * 10/2019 Hernandez D13/147
D866,473 S * 11/2019 Ramakrishna Gowda .. D13/146
D867,290 S * 11/2019 Wang D13/133
D868,694 S * 12/2019 Rosson D13/133

(**) Term: **15 Years**

OTHER PUBLICATIONS

(21) Appl. No.: **35/506,627**

CBLMR Cellular Paradyamics Chrome Accessories, Accepted on Dec. 26, 1990 by the Japan Patent Office, Written on p. 15, (The Japan Patent Office, Design Division, Publicly-known Document No. HD02025413).

(22) Filed: **Aug. 22, 2018**

Office Action issued in Japanese Patent Application No. 2018-018570 (Reference No. ISL1844D) dated Dec. 11, 2018.

(80) **Hague Agreement Data**

Int. Filing Date: **Aug. 22, 2018**
Int. Reg. No.: **DM/103424**
Int. Reg. Date: **Aug. 22, 2018**
Int. Reg. Pub. Date: **Feb. 22, 2019**

* cited by examiner

Primary Examiner — Rhea Shields

(30) **Foreign Application Priority Data**

Feb. 27, 2018 (CH) 143.819

(74) *Attorney, Agent, or Firm* — Sughrue Mion, PLLC

(51) **LOC (12) Cl.** **13-03**

(52) **U.S. Cl.**
USPC **D13/133**

(57) **CLAIM**

The ornamental design for a housing connector, as shown and described.

(58) **Field of Classification Search**
USPC D13/133, 146–147, 154, 102
CPC H01R 4/4818; H02S 40/34
See application file for complete search history.

DESCRIPTION

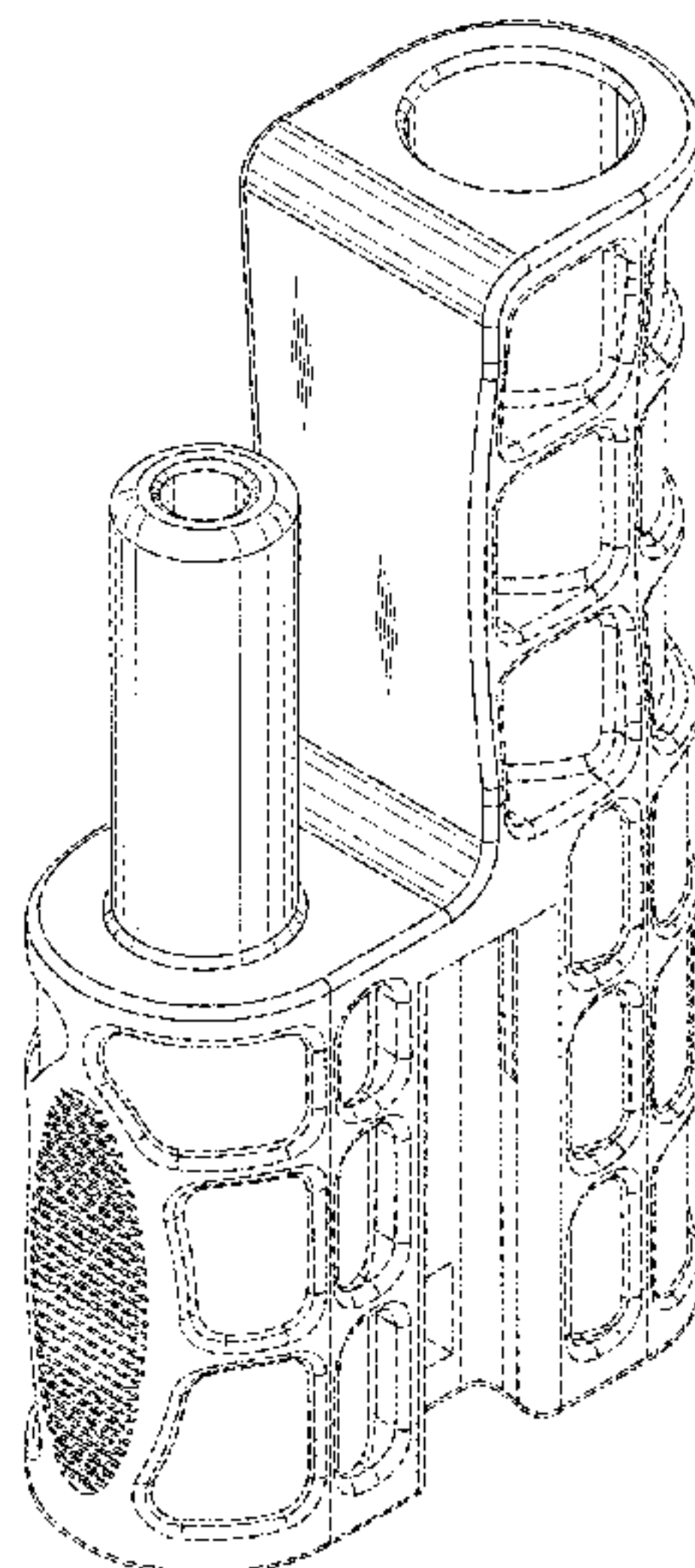
3.1 is a bottom view of the housing connector that we consider to be our invention;
3.2 is a front elevation view thereof;
3.3 is a left side view thereof;
3.4 is a right side view thereof;
3.5 is a rear elevation view thereof;
3.6 is a top view thereof; and
3.7 is a perspective view thereof.
In the reproductions, the broken lines are for the purpose of illustrating portions of the connector housing that forms no part of the claimed design.

(56) **References Cited**

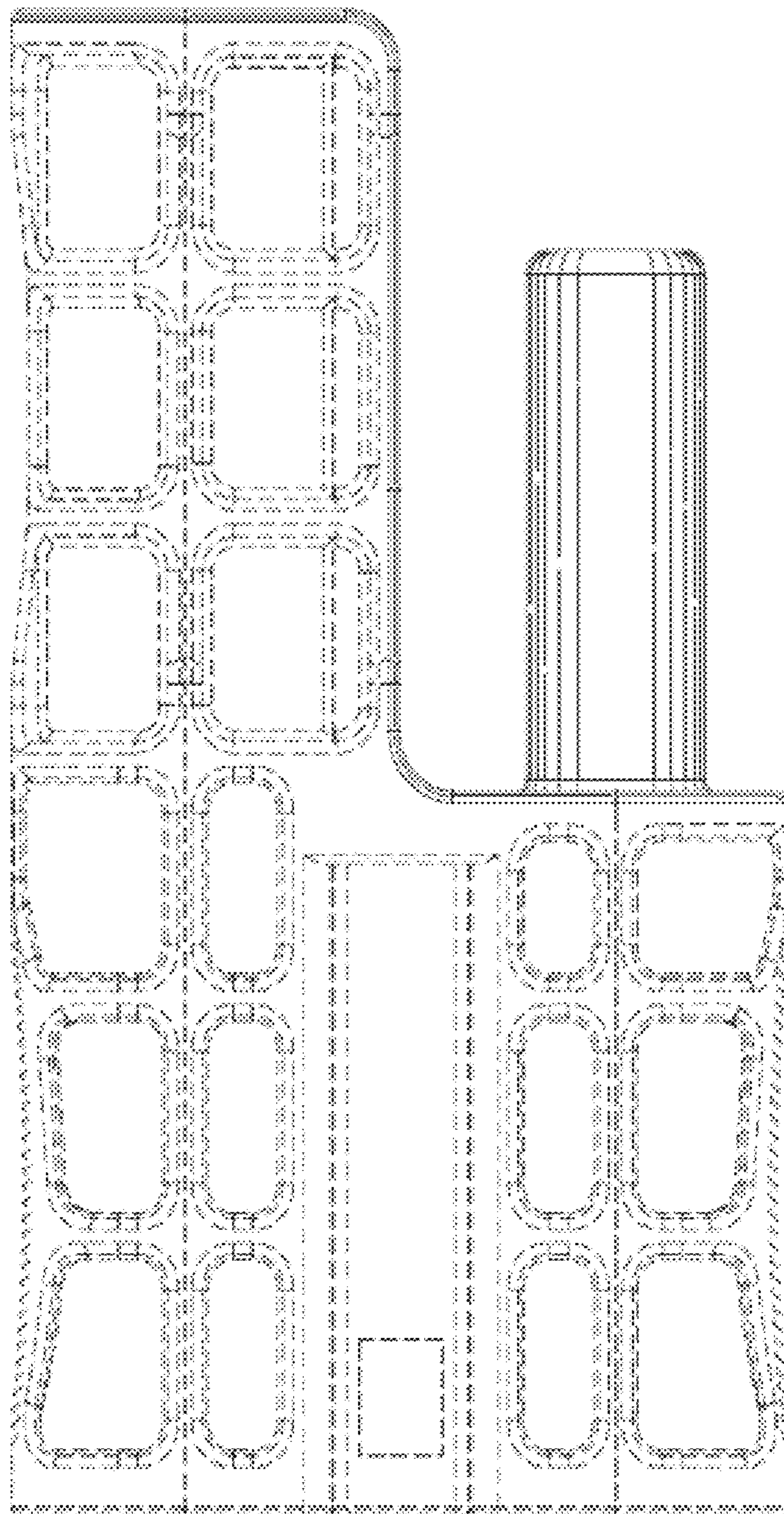
U.S. PATENT DOCUMENTS

D593,951 S * 6/2009 Yoon D13/147
D605,595 S * 12/2009 Thomas D13/133
D625,270 S * 10/2010 Schafmeister D13/147
D641,703 S * 7/2011 Severing D13/146
D674,801 S * 1/2013 Wharram D13/102
D676,391 S * 2/2013 Gassauer D13/147

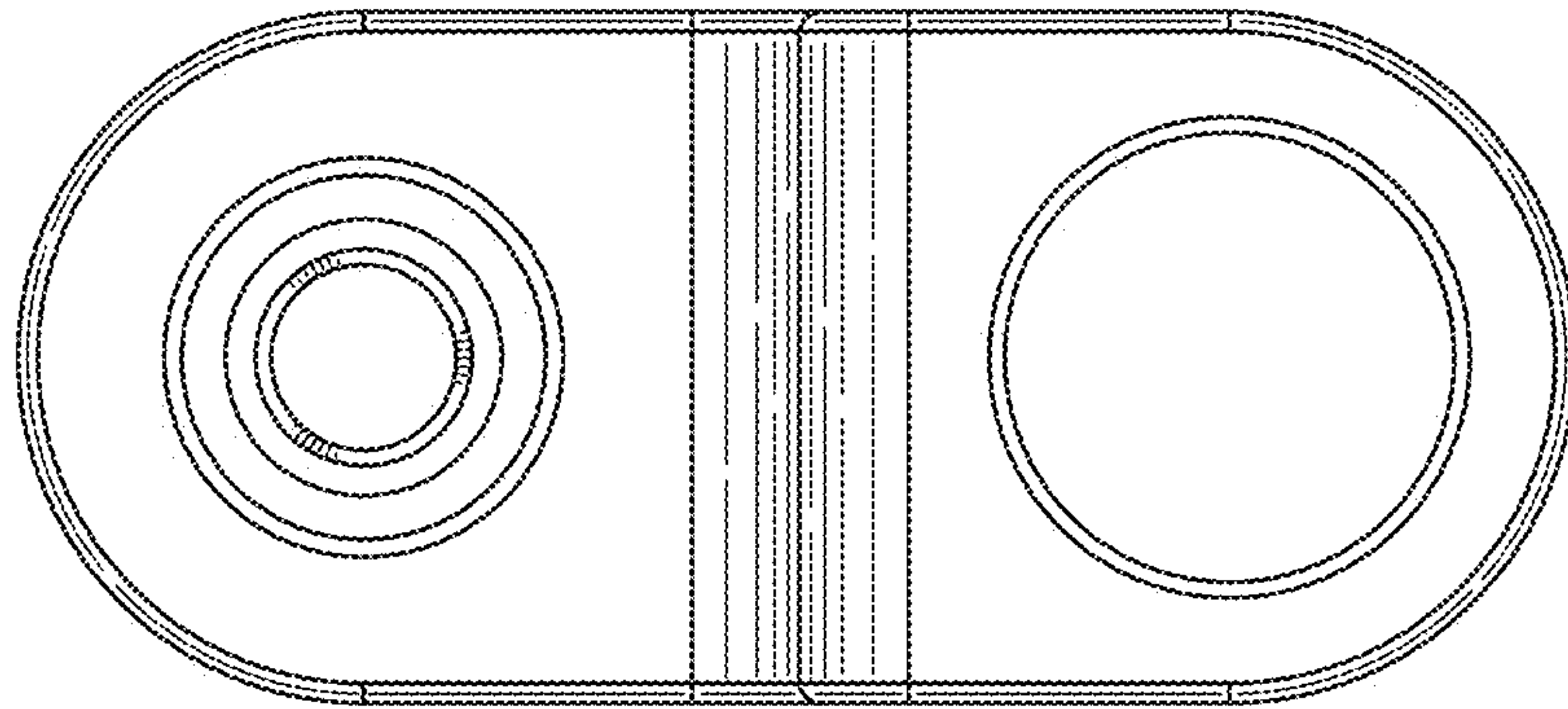
1 Claim, 7 Drawing Sheets



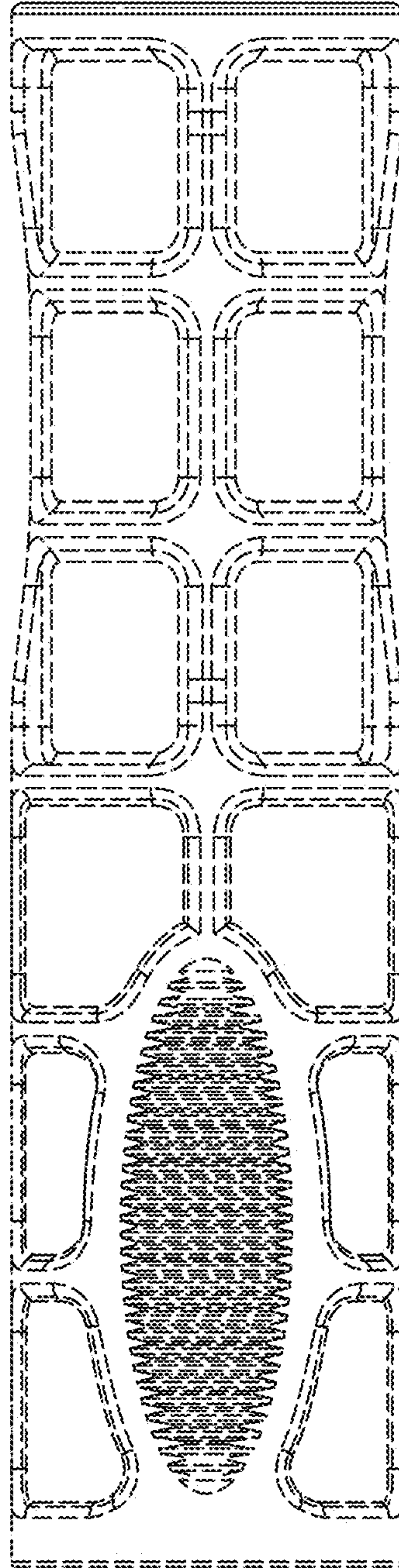
3.1



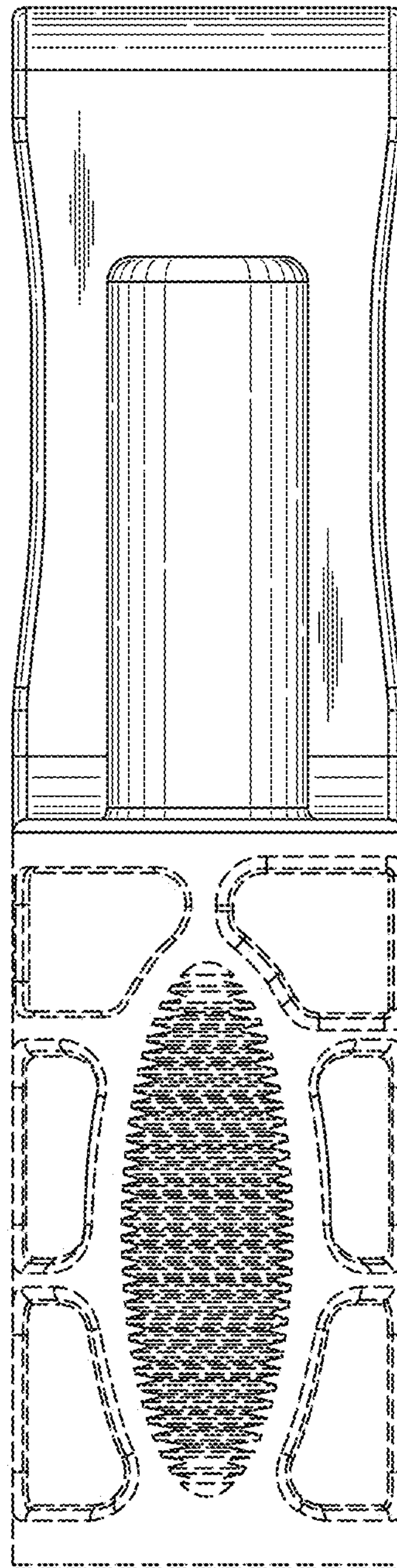
3.2



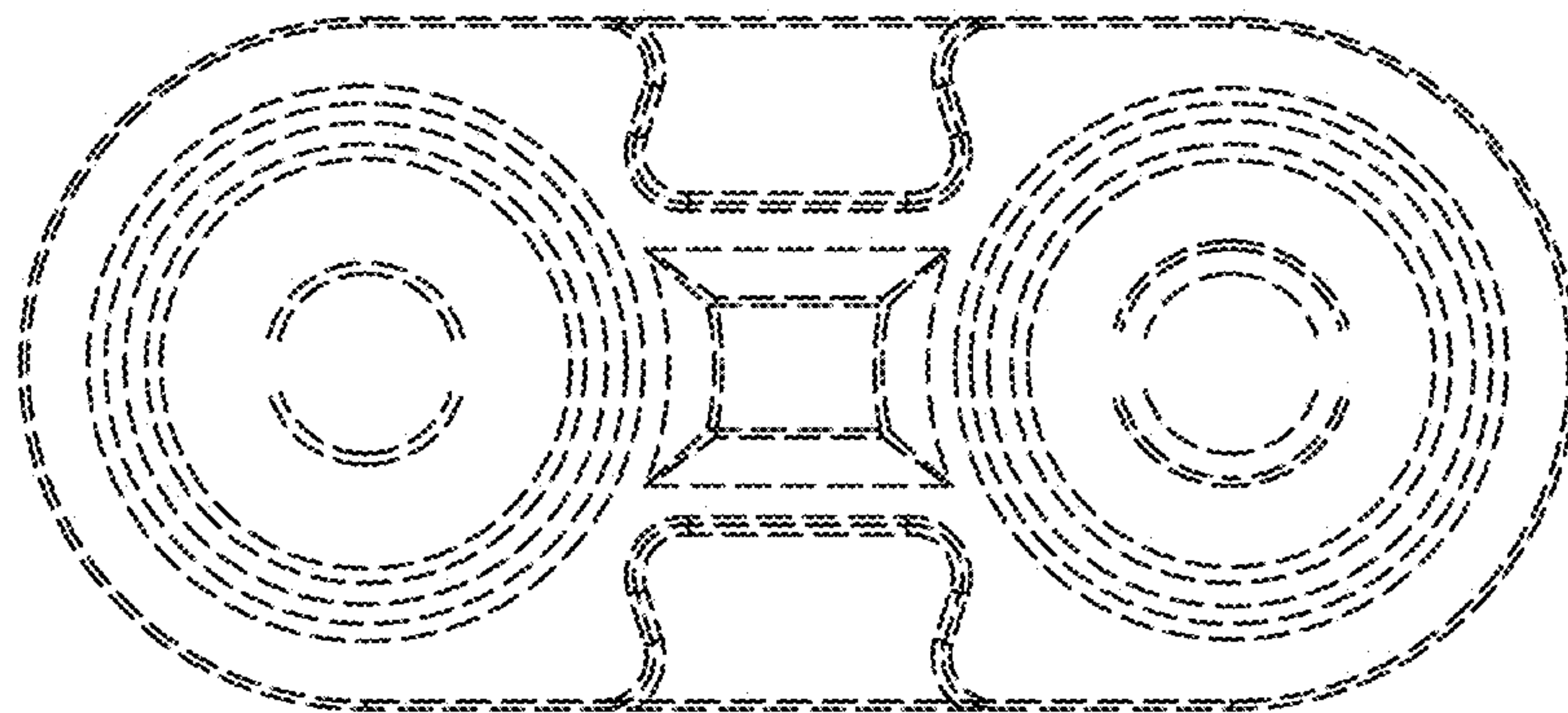
3.3



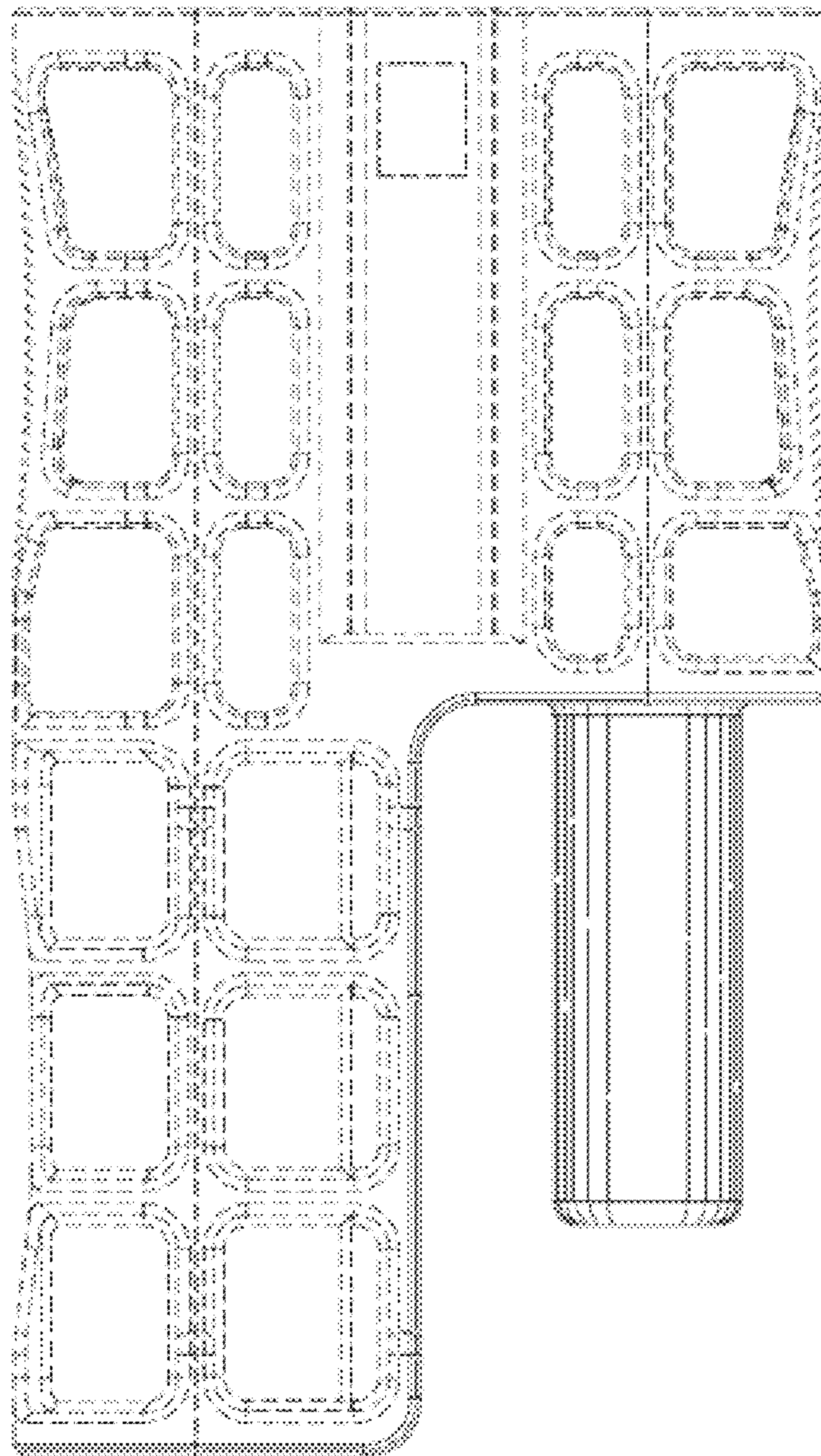
3.4



3.5



3.6



3.7

