



US00D902860S

(12) **United States Design Patent** (10) **Patent No.:** **US D902,860 S**  
**Ganamukhi et al.** (45) **Date of Patent:** **\*\* Nov. 24, 2020**

(54) **CONNECTOR**

(71) Applicant: **Molex, LLC**, Lisle, IL (US)  
(72) Inventors: **Ishwarappa Ganamukhi**, Bangalore (IN); **Pierre Perez**, Aurora, IL (US)  
(73) Assignee: **Molex, LLC**, Lisle, IL (US)  
(\*\*) Term: **15 Years**  
(21) Appl. No.: **29/685,539**  
(22) Filed: **Mar. 28, 2019**  
(51) **LOC (12) Cl.** ..... **13-03**  
(52) **U.S. Cl.**  
USPC ..... **D13/133**  
(58) **Field of Classification Search**  
USPC ..... D13/133, 146, 147, 153, 154, 184  
(Continued)

(56) **References Cited**

U.S. PATENT DOCUMENTS

D726,662 S \* 4/2015 Honda ..... D13/154  
D791,080 S 7/2017 Li et al.  
(Continued)

FOREIGN PATENT DOCUMENTS

TW D141998 8/2011  
WO D205298-009 \* 3/2020

*Primary Examiner* — Karen E Kearney  
*Assistant Examiner* — Michael Chong  
(74) *Attorney, Agent, or Firm* — Banner & Witcoff, Ltd.

(57) **CLAIM**

The ornamental design for a connector, as shown and described.

**DESCRIPTION**

FIG. 1 is a front top perspective view of a connector showing our new design;  
FIG. 2 is a rear bottom perspective view thereof;  
FIG. 3 is a front view thereof;

FIG. 4 is a rear view thereof;  
FIG. 5 is a left side view thereof;  
FIG. 6 is a right side view thereof;  
FIG. 7 is a top view thereof;  
FIG. 8 is a bottom view thereof;  
FIG. 9 is a front top perspective view of an alternate embodiment of the connector showing our new design which is a mirror image of the connector of FIGS. 1-8;  
FIG. 10 is a rear bottom perspective view thereof;  
FIG. 11 is a front view thereof;  
FIG. 12 is a rear view thereof;  
FIG. 13 is a left side view thereof;  
FIG. 14 is a right side view thereof;  
FIG. 15 is a top view thereof;  
FIG. 16 is a bottom view thereof;  
FIG. 17 is a front top perspective view of an alternate embodiment of the connector showing our new design;  
FIG. 18 is a rear bottom perspective view thereof;  
FIG. 19 is a front view thereof;  
FIG. 20 is a rear view thereof;  
FIG. 21 is a left side view thereof;  
FIG. 22 is a right side view thereof;  
FIG. 23 is a top view thereof;  
FIG. 24 is a bottom view thereof;  
FIG. 25 is a front top perspective view of an alternate embodiment of the connector showing our new design which is a mirror image of the connector of FIGS. 17-24;  
FIG. 26 is a rear bottom perspective view thereof;  
FIG. 27 is a front view thereof;  
FIG. 28 is a rear view thereof;  
FIG. 29 is a left side view thereof;  
FIG. 30 is a right side view thereof;  
FIG. 31 is a top view thereof;  
FIG. 32 is a bottom view thereof;  
FIG. 33 is a front top perspective view of an alternate embodiment of the connector showing our new design;  
FIG. 34 is a rear bottom perspective view thereof;  
FIG. 35 is a front view thereof;  
FIG. 36 is a rear view thereof;  
FIG. 37 is a left side view thereof;  
FIG. 38 is a right side view thereof;  
FIG. 39 is a top view thereof;  
FIG. 40 is a bottom view thereof;

(Continued)

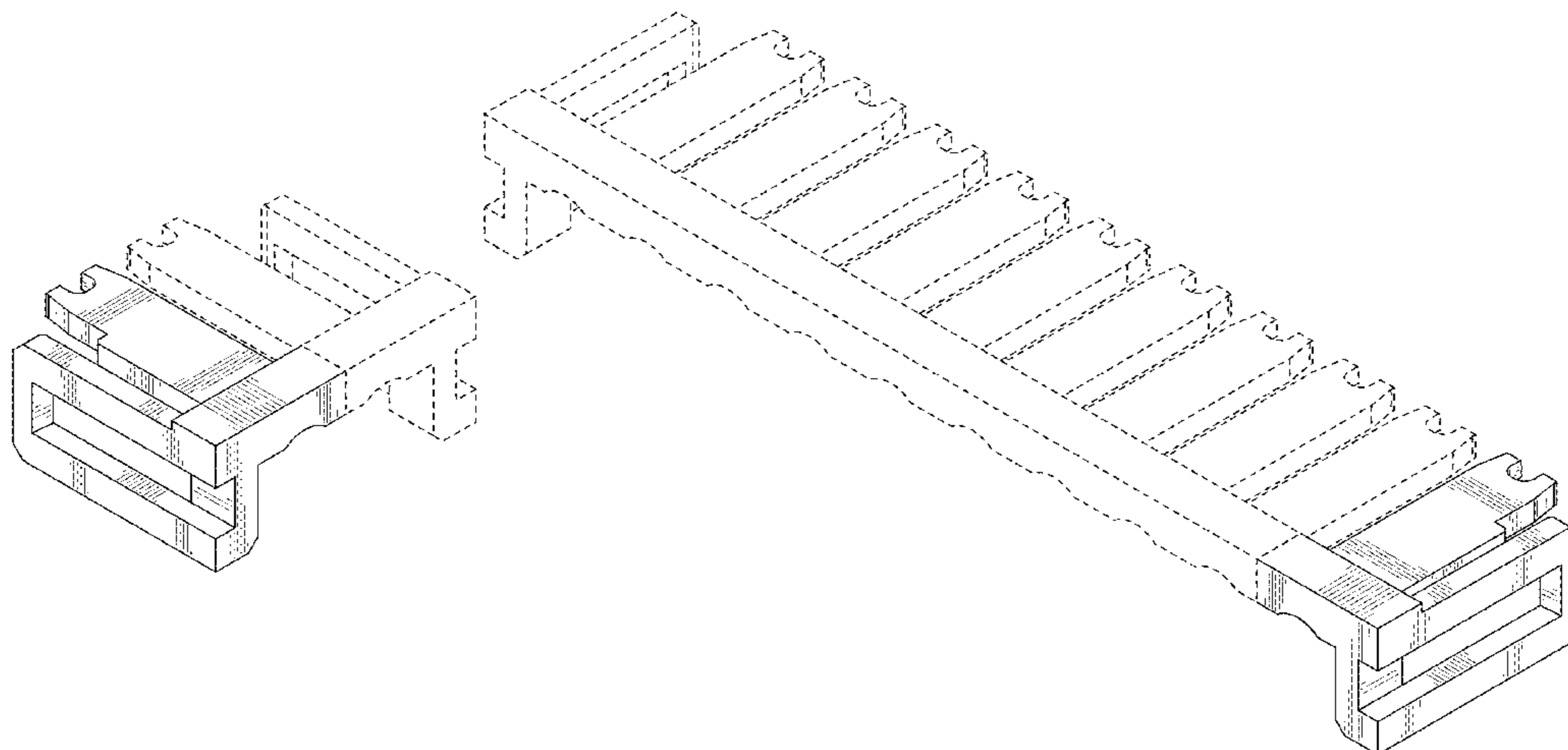




FIG. 41 is a front top perspective view of an alternate embodiment of the connector showing our new design which is a mirror image of the connector of FIGS. 33-40;  
 FIG. 42 is a rear bottom perspective view thereof;  
 FIG. 43 is a front view thereof;  
 FIG. 44 is a rear view thereof;  
 FIG. 45 is a left side view thereof;  
 FIG. 46 is a right side view thereof;  
 FIG. 47 is a top view thereof;  
 FIG. 48 is a bottom view thereof;  
 FIG. 49 is a front top perspective view of an alternate embodiment of the connector showing our new design;  
 FIG. 50 is a rear bottom perspective view thereof;  
 FIG. 51 is a front view thereof;  
 FIG. 52 is a rear view thereof;  
 FIG. 53 is a left side view thereof;  
 FIG. 54 is a right side view thereof;  
 FIG. 55 is a top view thereof;  
 FIG. 56 is a bottom view thereof;  
 FIG. 57 is a front top perspective view of an alternate embodiment of the connector showing our new design which is a mirror image of the connector of FIGS. 49-56;  
 FIG. 58 is a rear bottom perspective view thereof;  
 FIG. 59 is a front view thereof;  
 FIG. 60 is a rear view thereof;  
 FIG. 61 is a left side view thereof;  
 FIG. 62 is a right side view thereof;  
 FIG. 63 is a top view thereof;  
 FIG. 64 is a bottom view thereof;  
 FIG. 65 is a front top perspective view of an alternate embodiment of the connector showing our new design;  
 FIG. 66 is a rear bottom perspective view thereof;  
 FIG. 67 is a front view thereof;  
 FIG. 68 is a rear view thereof;  
 FIG. 69 is a left side view thereof;  
 FIG. 70 is a right side view thereof;  
 FIG. 71 is a top view thereof;  
 FIG. 72 is a bottom view thereof;  
 FIG. 73 is a front top perspective view of an alternate embodiment of the connector showing our new design which is a mirror image of the connector of FIGS. 65-72;  
 FIG. 74 is a rear bottom perspective view thereof;  
 FIG. 75 is a front view thereof;  
 FIG. 76 is a rear view thereof;  
 FIG. 77 is a left side view thereof;  
 FIG. 78 is a right side view thereof;  
 FIG. 79 is a top view thereof;  
 FIG. 80 is a bottom view thereof;  
 FIG. 81 is a front top perspective view of an alternate embodiment of the connector showing our new design;  
 FIG. 82 is a rear bottom perspective view thereof;  
 FIG. 83 is a front view thereof;  
 FIG. 84 is a rear view thereof;  
 FIG. 85 is a left side view thereof;  
 FIG. 86 is a right side view thereof;  
 FIG. 87 is a top view thereof;  
 FIG. 88 is a bottom view thereof;  
 FIG. 89 is a front top perspective view of an alternate embodiment of the connector showing our new design which is a mirror image of the connector of FIGS. 81-88;  
 FIG. 90 is a rear bottom perspective view thereof;  
 FIG. 91 is a front view thereof;  
 FIG. 92 is a rear view thereof;  
 FIG. 93 is a left side view thereof;

FIG. 94 is a right side view thereof;  
 FIG. 95 is a top view thereof;  
 FIG. 96 is a bottom view thereof;  
 FIG. 97 is a front top perspective of an alternate embodiment of the connector showing our new design;  
 FIG. 98 is a rear bottom perspective view thereof;  
 FIG. 99 is a front view thereof;  
 FIG. 100 is a rear view thereof;  
 FIG. 101 is a left side view thereof;  
 FIG. 102 is a right side view thereof;  
 FIG. 103 is a top view thereof;  
 FIG. 104 is a bottom view thereof;  
 FIG. 105 is a front top perspective view of an alternate embodiment of the connector showing our new design which is a mirror image of the connector of FIGS. 97-104;  
 FIG. 106 is a rear bottom perspective view thereof;  
 FIG. 107 is a front view thereof;  
 FIG. 108 is a rear view thereof;  
 FIG. 109 is a left side view thereof;  
 FIG. 110 is a right side view thereof;  
 FIG. 111 is a top view thereof;  
 FIG. 112 is a bottom view thereof;  
 FIG. 113 is a front top perspective view of an alternate embodiment of the connector showing our new design;  
 FIG. 114 is a rear bottom perspective view thereof;  
 FIG. 115 is a front view thereof;  
 FIG. 116 is a rear view thereof;  
 FIG. 117 is a left side view thereof;  
 FIG. 118 is a right side view thereof;  
 FIG. 119 is a top view thereof;  
 FIG. 120 is a bottom view thereof;  
 FIG. 121 is a front top perspective view of an alternate embodiment of the connector showing our new design which is a mirror image of the connector of FIGS. 113-120;  
 FIG. 122 is a rear bottom perspective view thereof;  
 FIG. 123 is a front view thereof;  
 FIG. 124 is a rear view thereof;  
 FIG. 125 is a left side view thereof;  
 FIG. 126 is a right side view thereof;  
 FIG. 127 is a top view thereof;  
 FIG. 128 is a bottom view thereof;  
 FIG. 129 is a front top perspective view of an alternate embodiment of the connector showing our new design;  
 FIG. 130 is a rear bottom perspective view thereof;  
 FIG. 131 is a front view thereof;  
 FIG. 132 is a rear view thereof;  
 FIG. 133 is a left side view thereof;  
 FIG. 134 is a right side view thereof;  
 FIG. 135 is a top view thereof;  
 FIG. 136 is a bottom view thereof;  
 FIG. 137 is a front top perspective view of an alternate embodiment of the connector showing our new design which is a mirror image of the connector of FIGS. 129-136;  
 FIG. 138 is a rear bottom perspective view thereof;  
 FIG. 139 is a front view thereof;  
 FIG. 140 is a rear view thereof;  
 FIG. 141 is a left side view thereof;  
 FIG. 142 is a right side view thereof;  
 FIG. 143 is a top view thereof; and,  
 FIG. 144 is a bottom view thereof.  
 The broken lines immediately adjacent to the shaded areas define the bounds of the claimed design and form no part

thereof. The broken lines depicting the remainder of the connector show features that form no part of the claimed design.

**1 Claim, 74 Drawing Sheets**

(58) **Field of Classification Search**

CPC .... H01R 13/02; H01R 13/436; H01R 13/502;  
H01R 13/504; H01R 13/506

See application file for complete search history.

(56) **References Cited**

U.S. PATENT DOCUMENTS

D791,083 S *	7/2017	Li .....	D13/147
D791,705 S *	7/2017	Li .....	D13/147
D795,199 S *	8/2017	Ikeda .....	D13/154
D803,162 S *	11/2017	Li .....	D13/147

\* cited by examiner

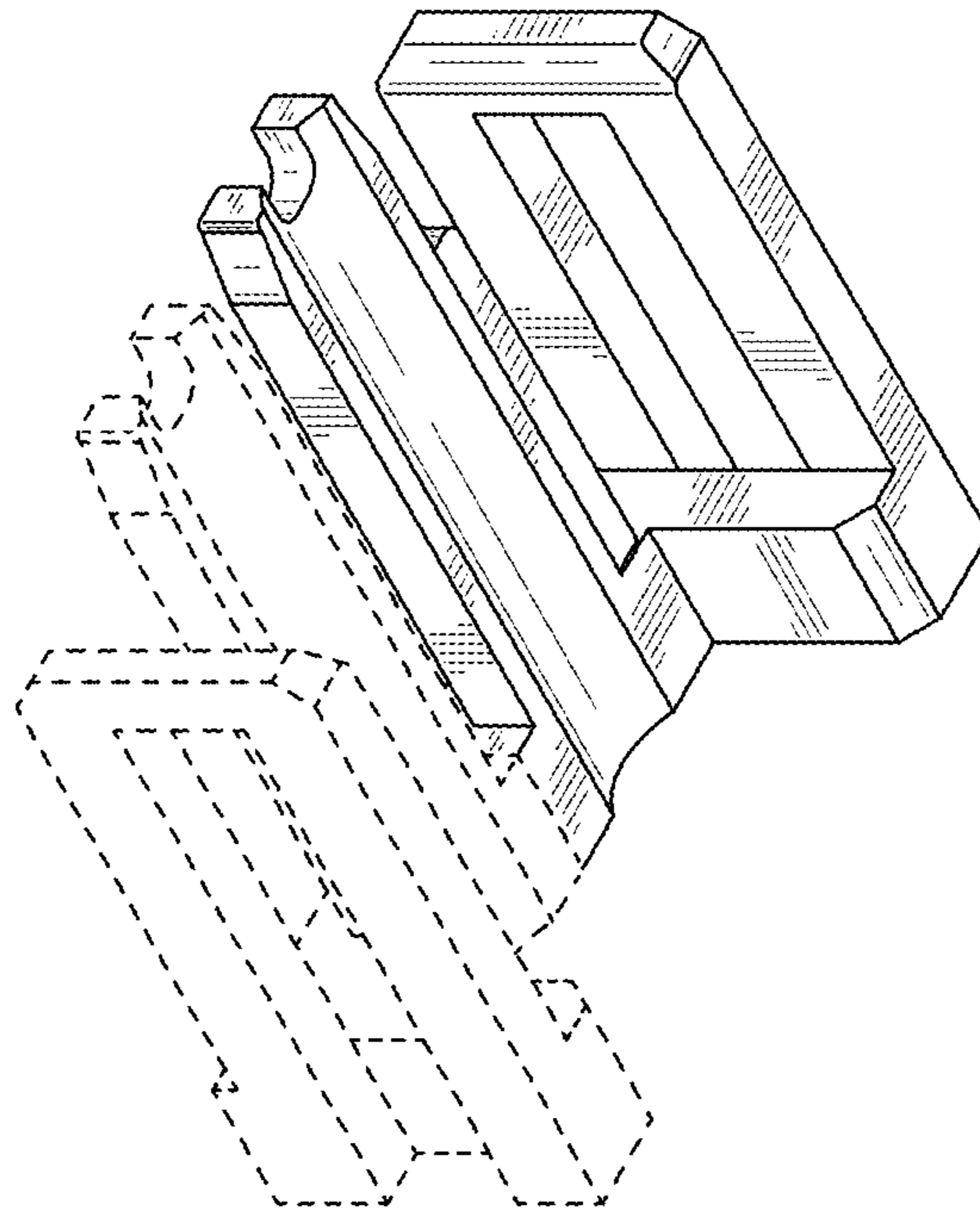


FIG. 2

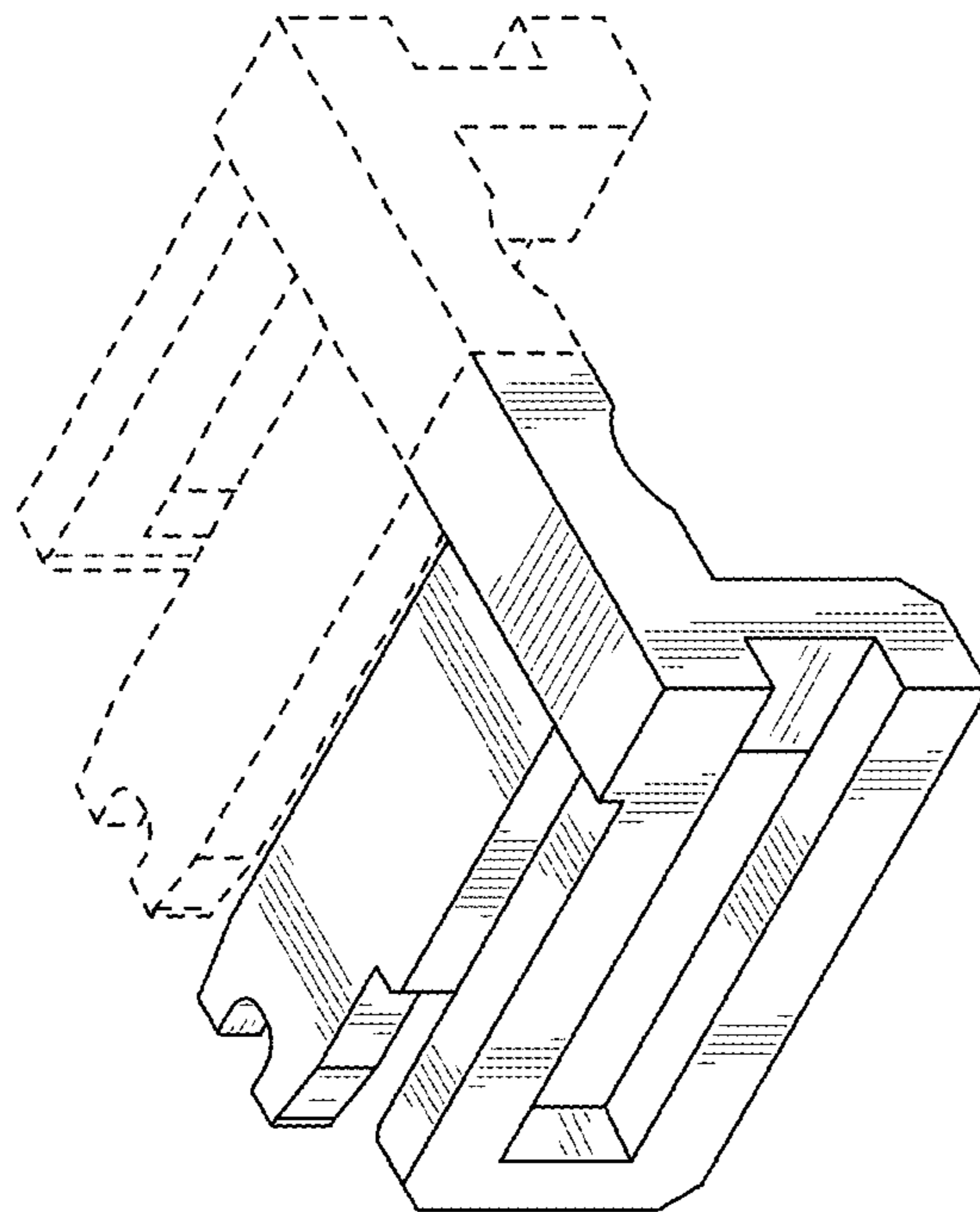


FIG. 1

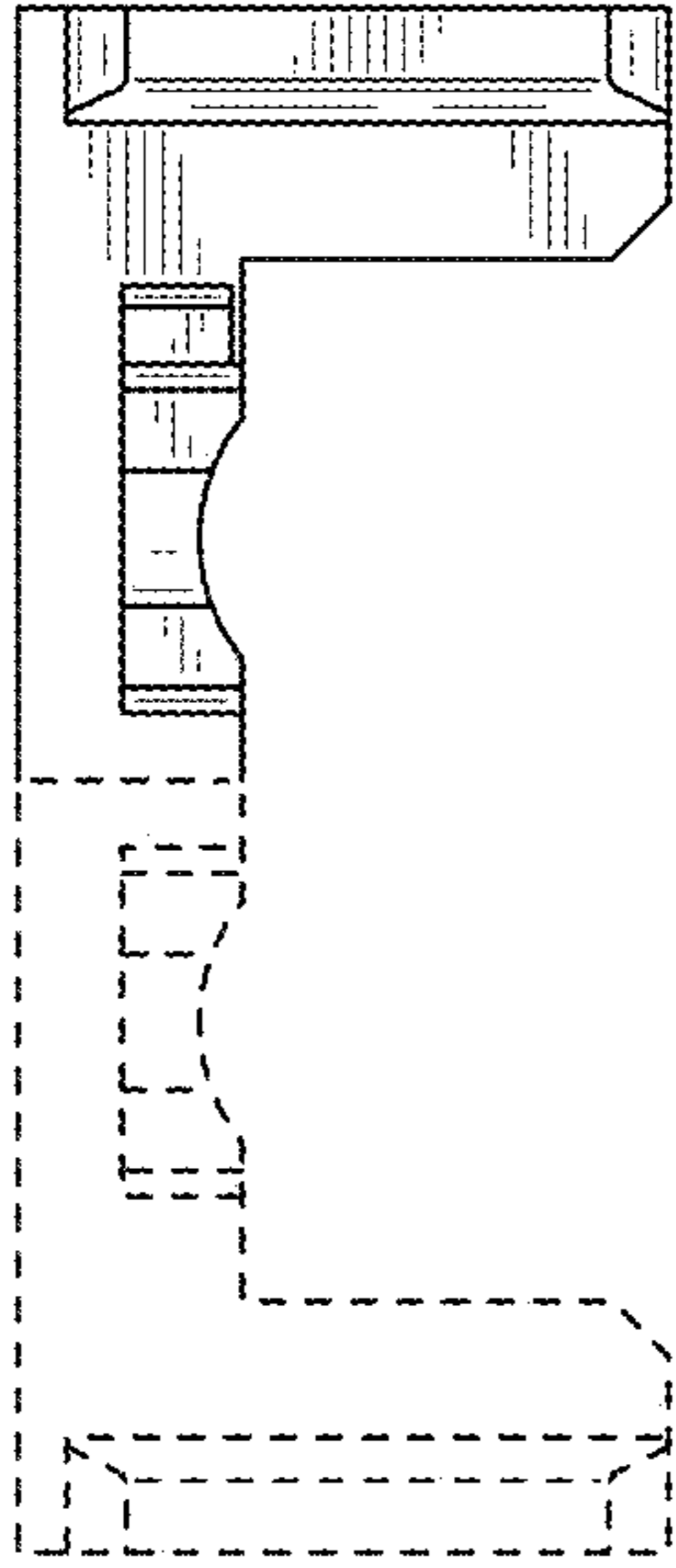


FIG. 4

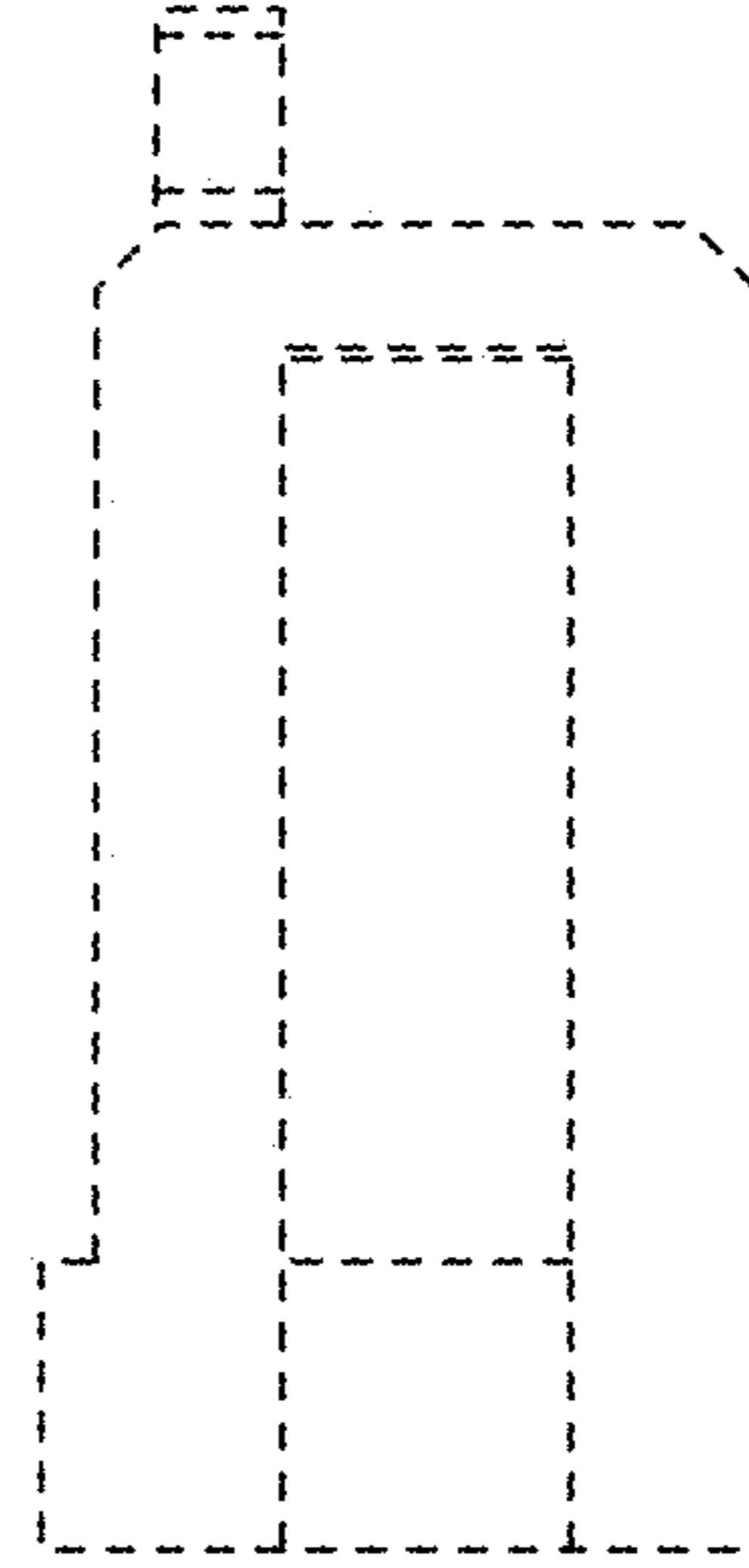


FIG. 6

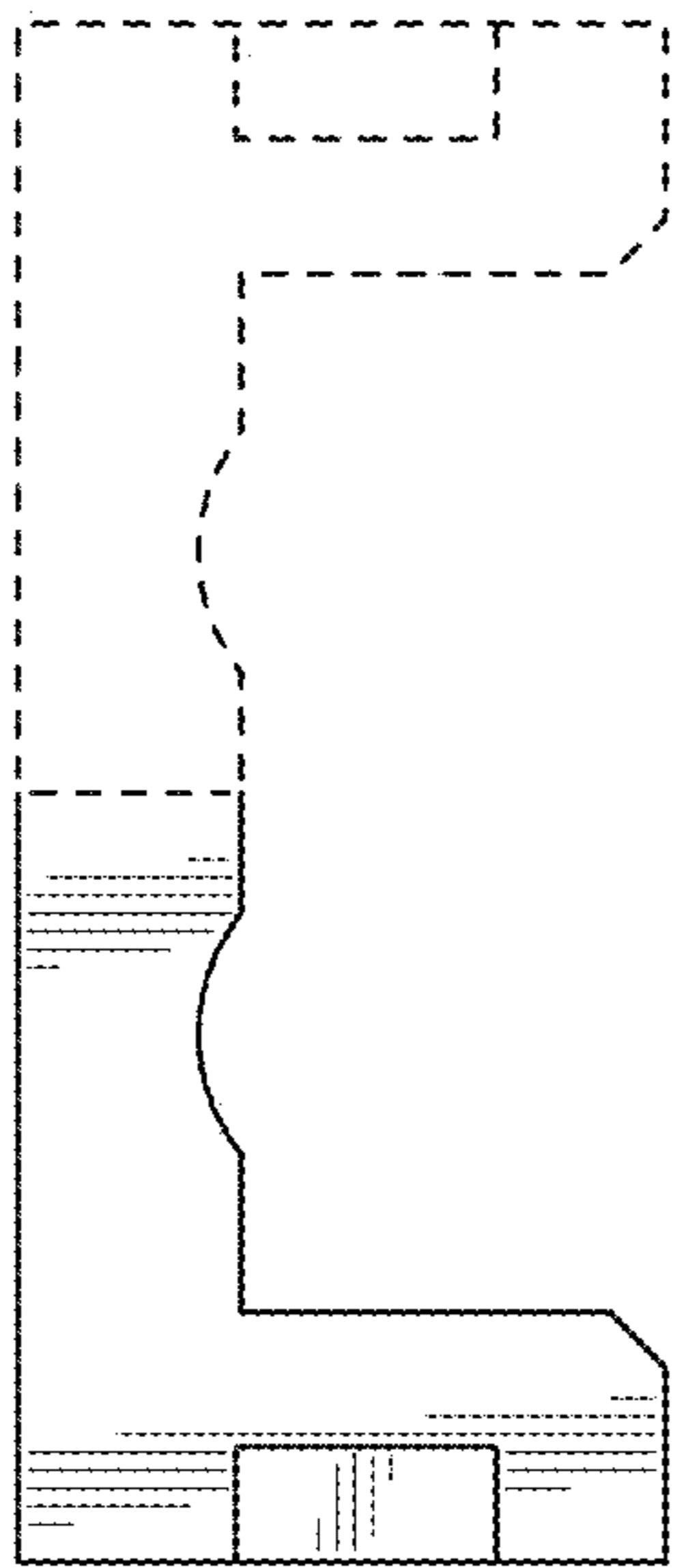


FIG. 3

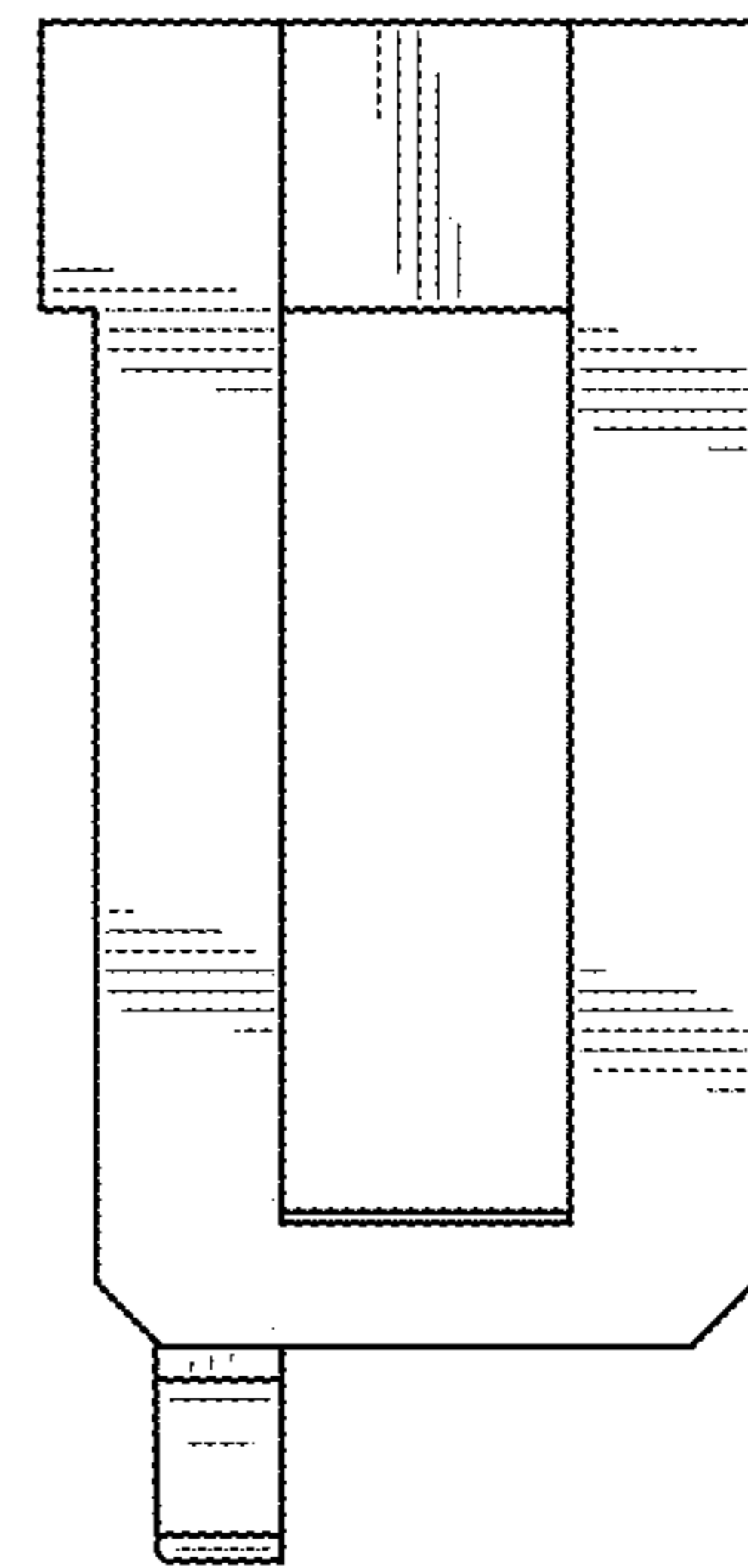


FIG. 5



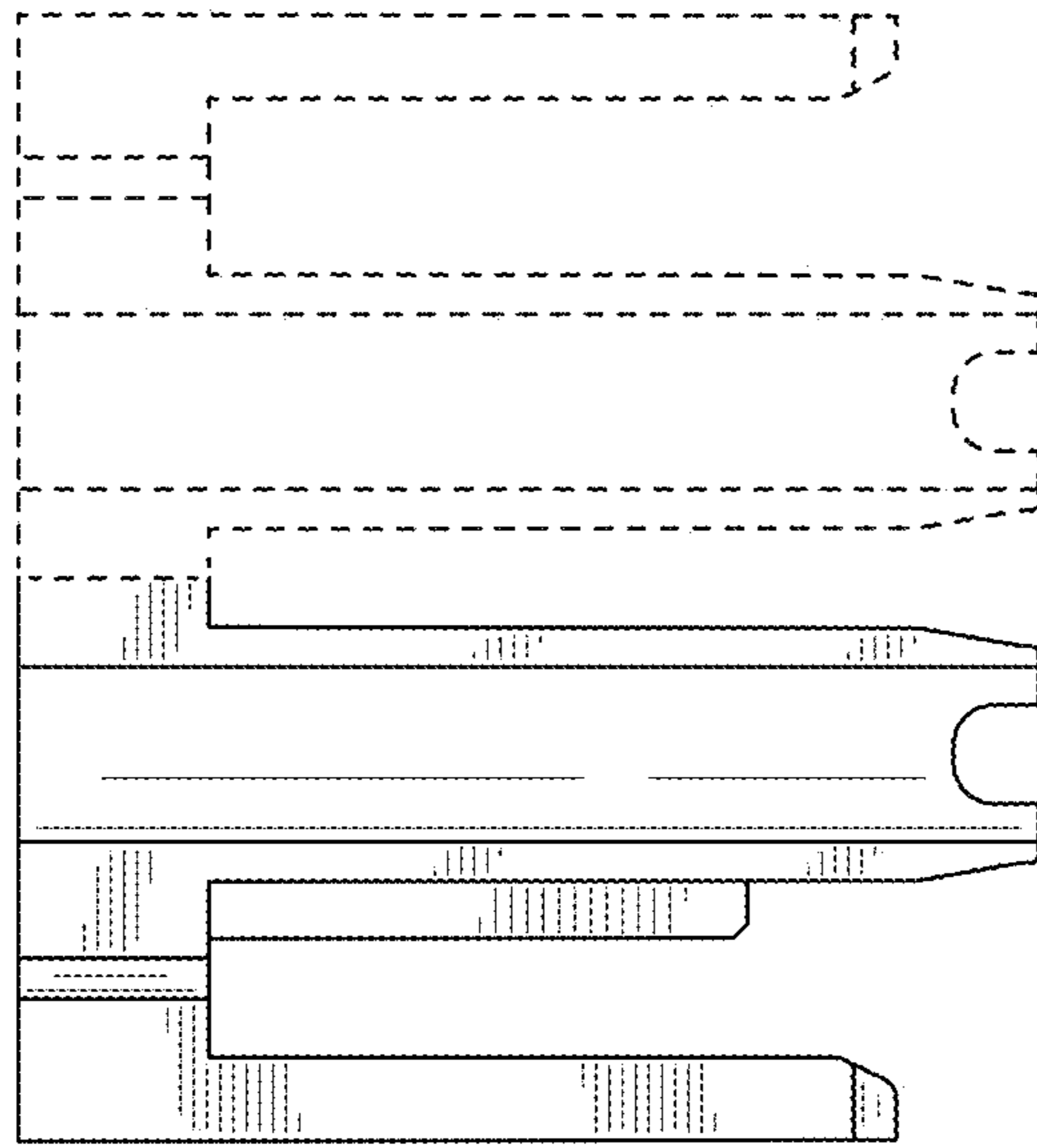


FIG. 8

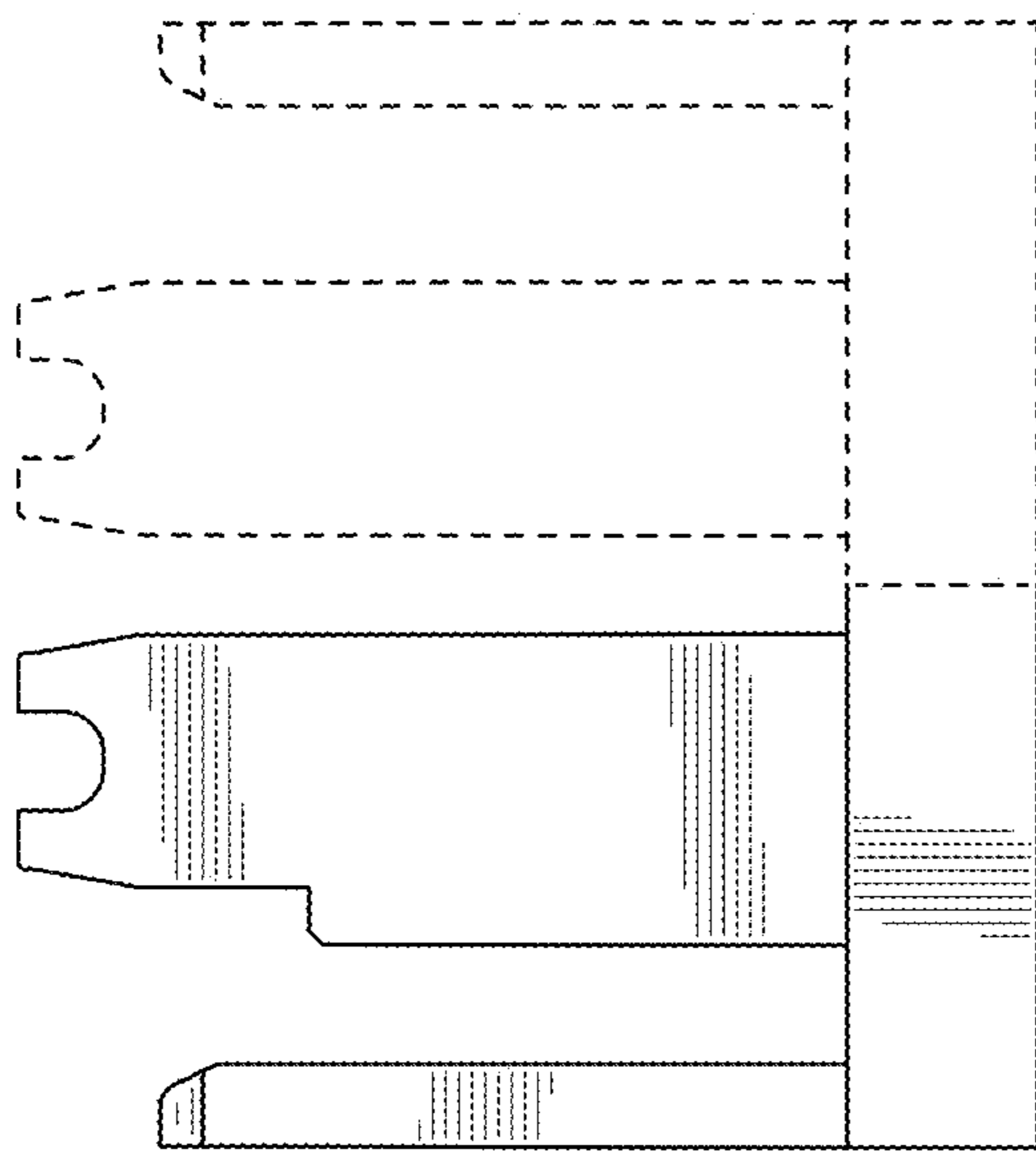


FIG. 7

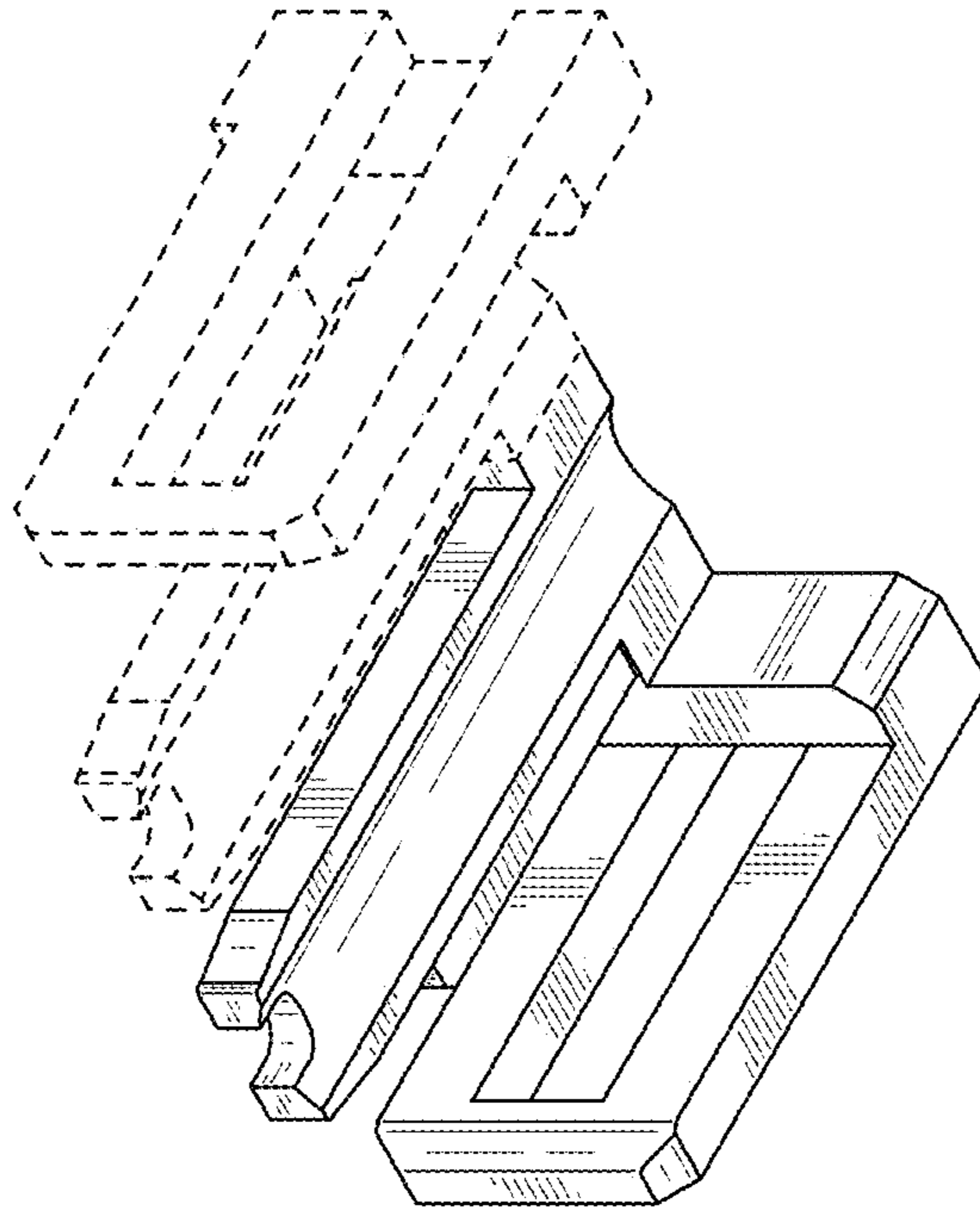


FIG. 10

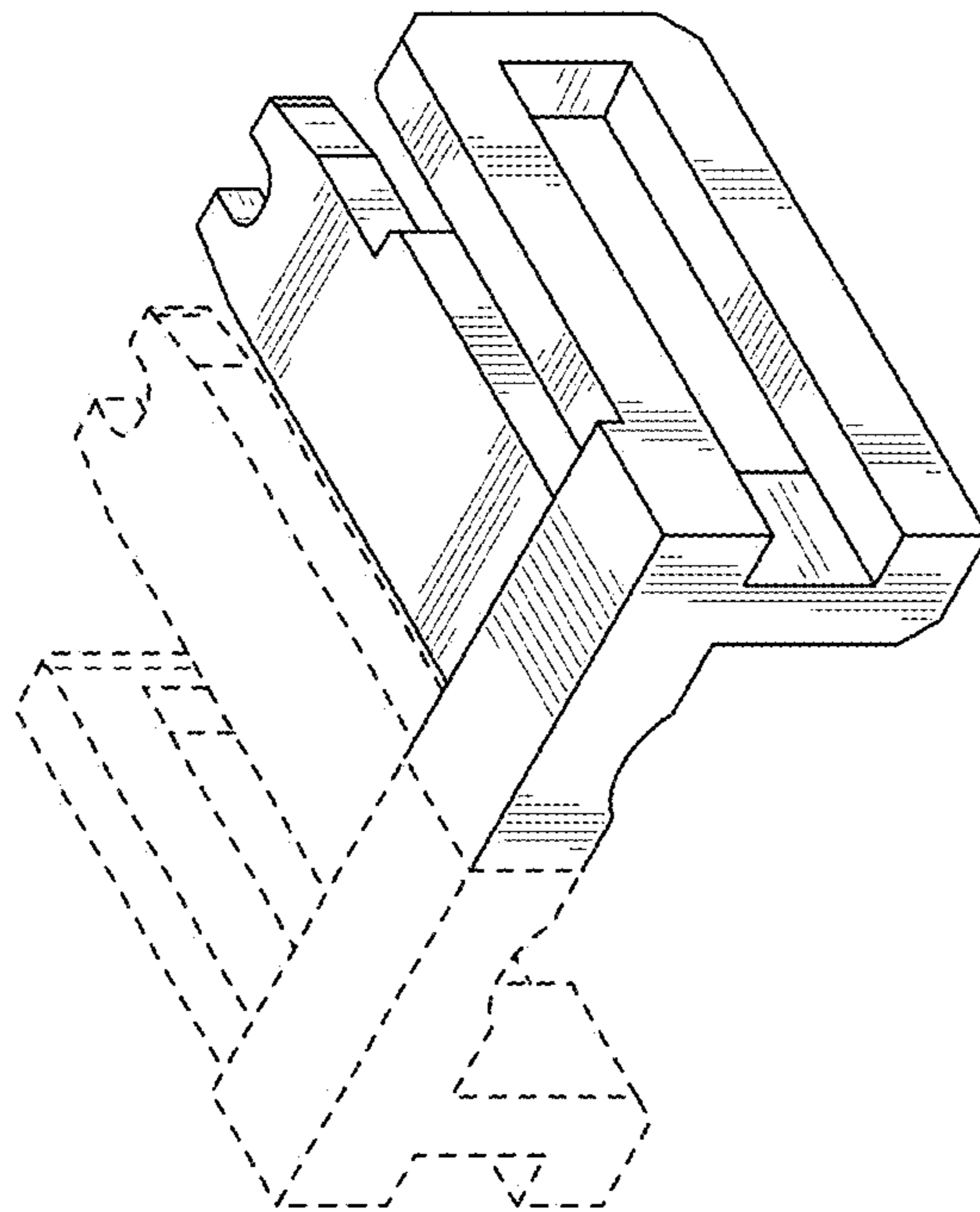


FIG. 9

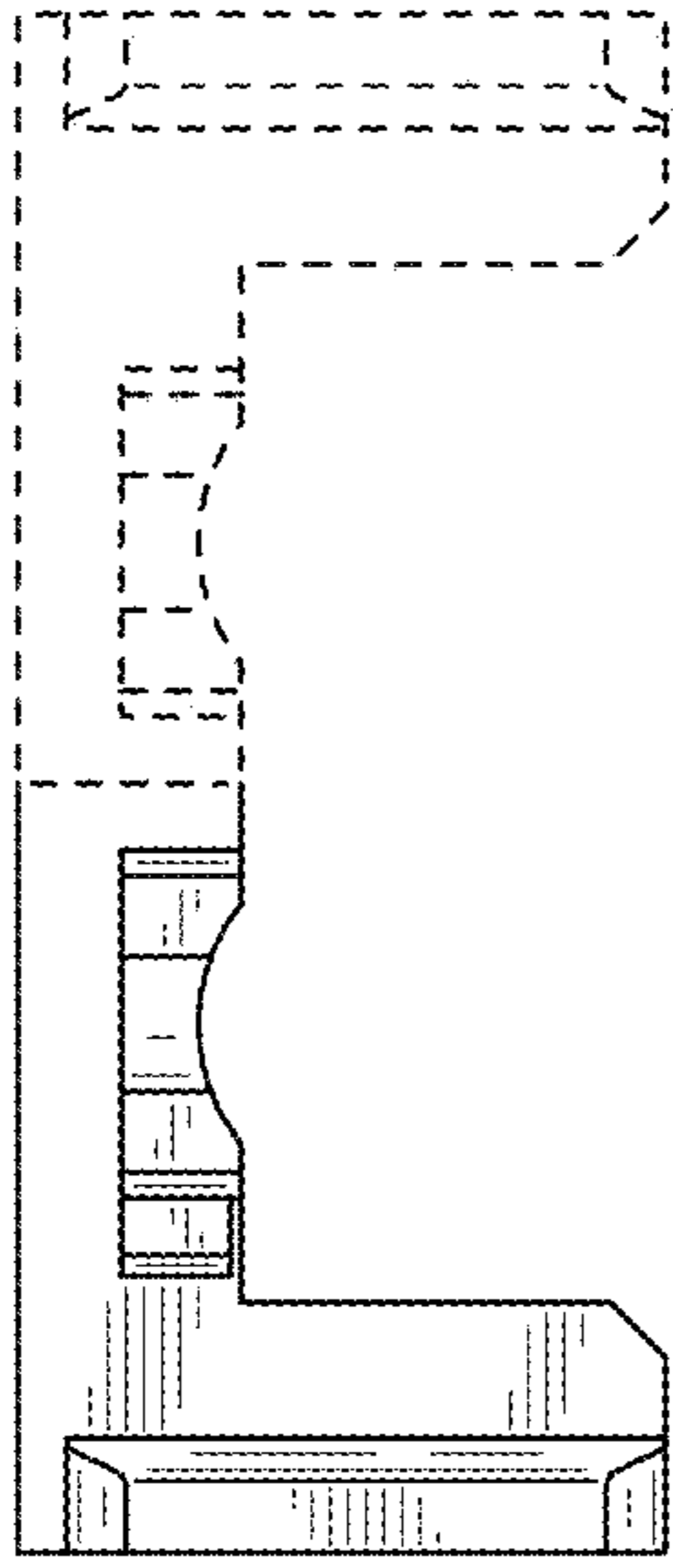


FIG. 11

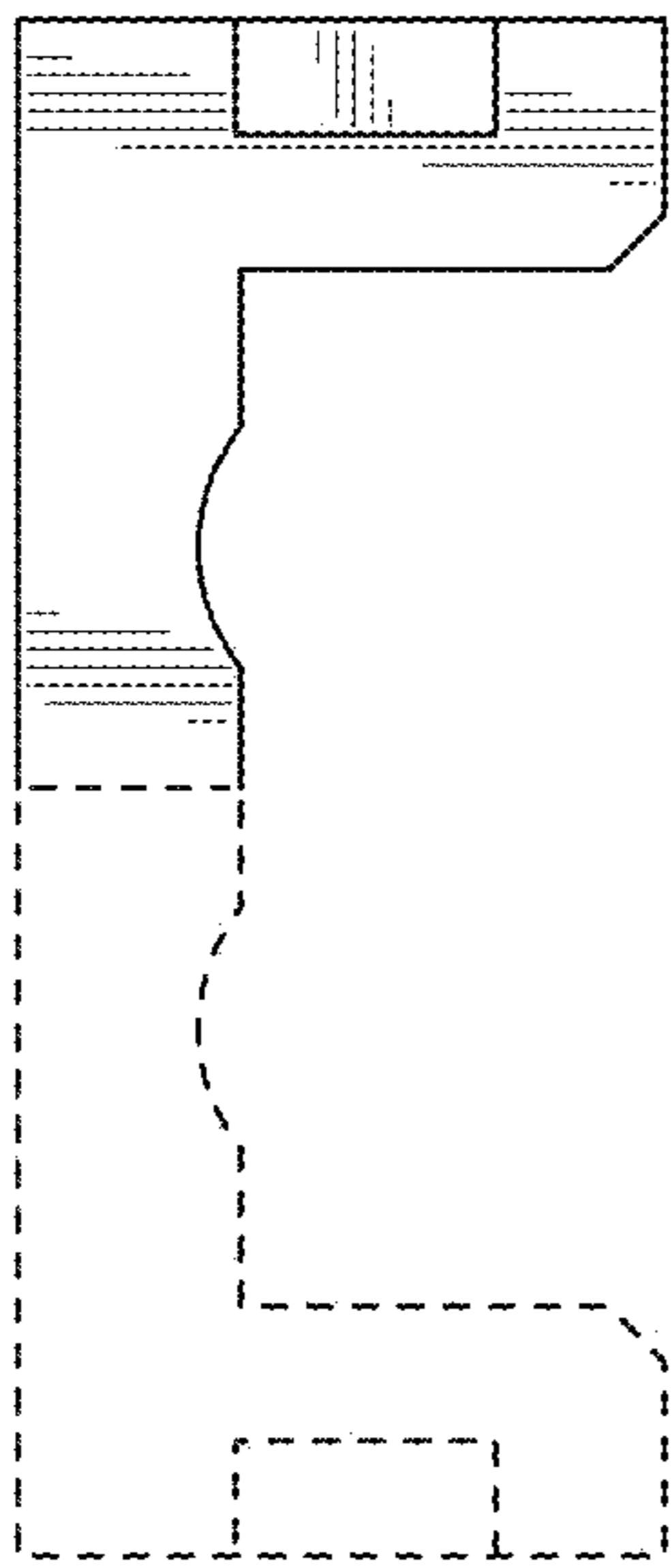


FIG. 12

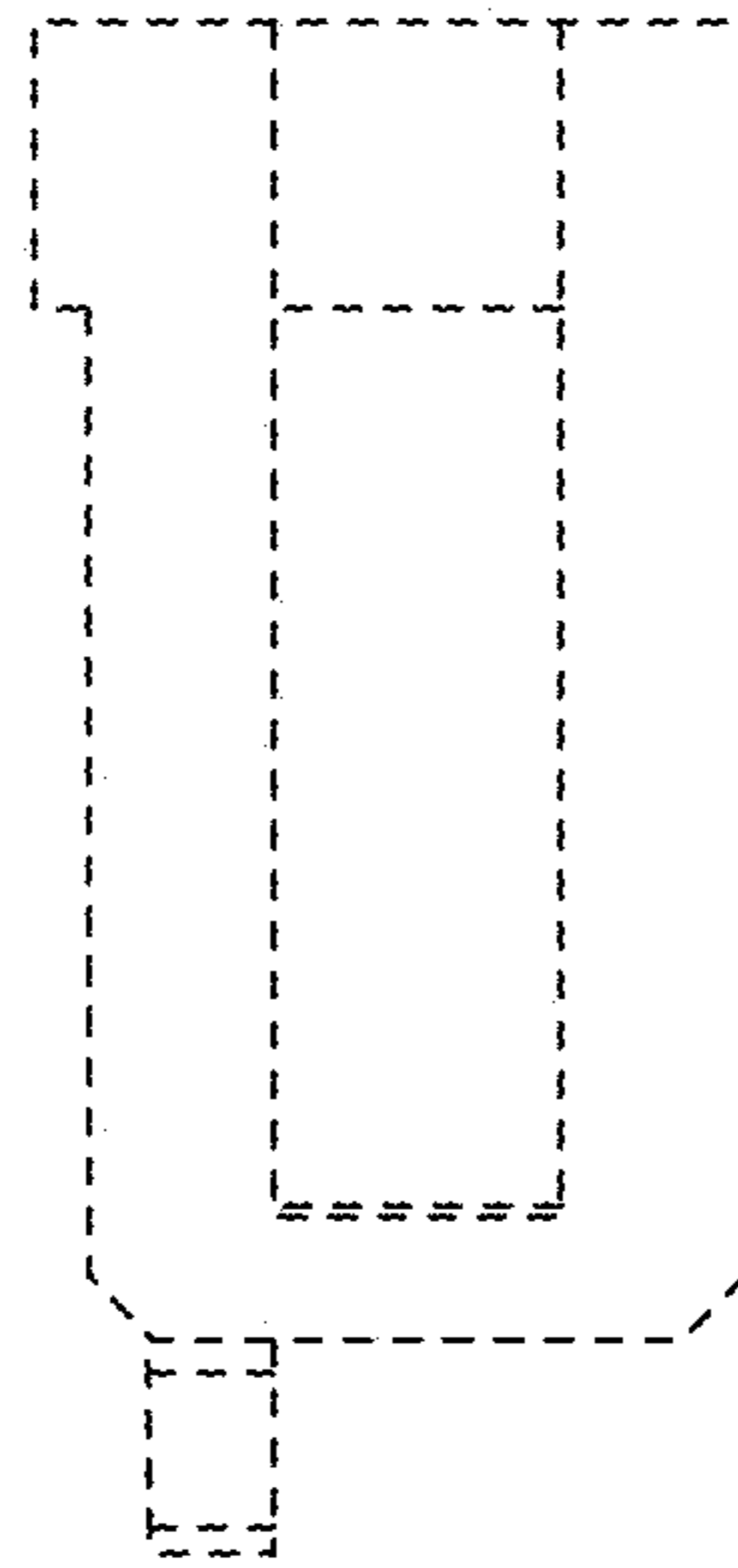


FIG. 13

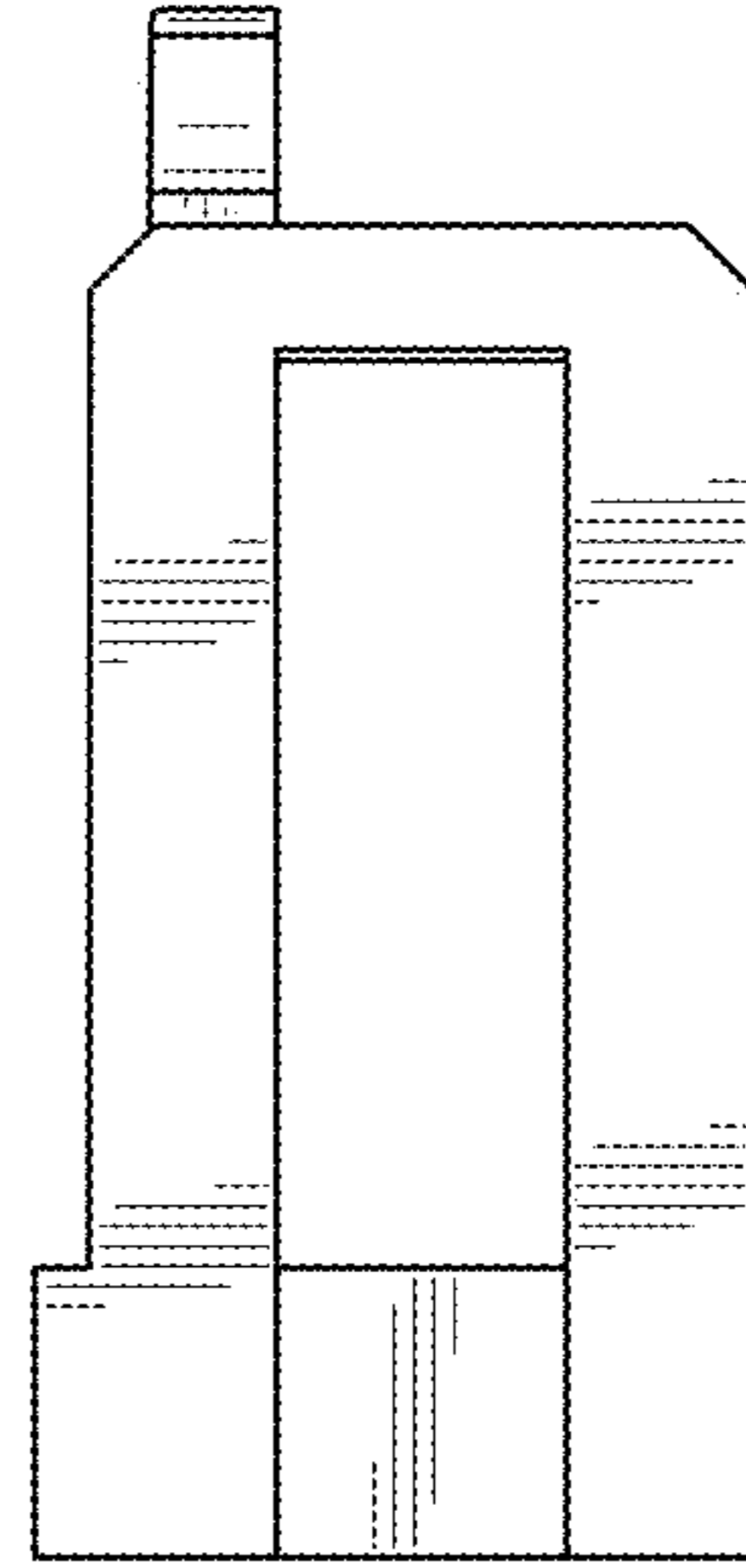


FIG. 14



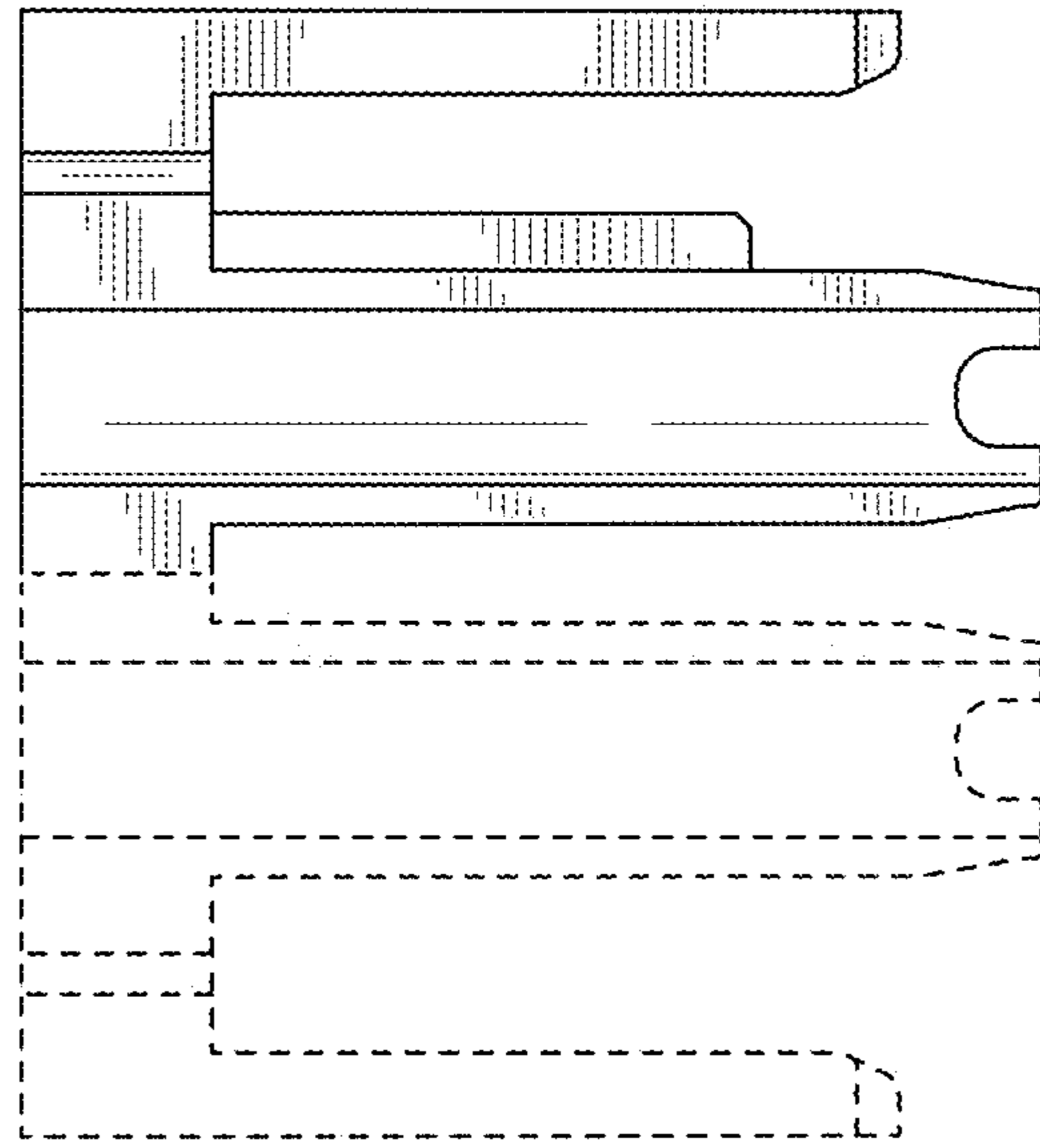


FIG. 16

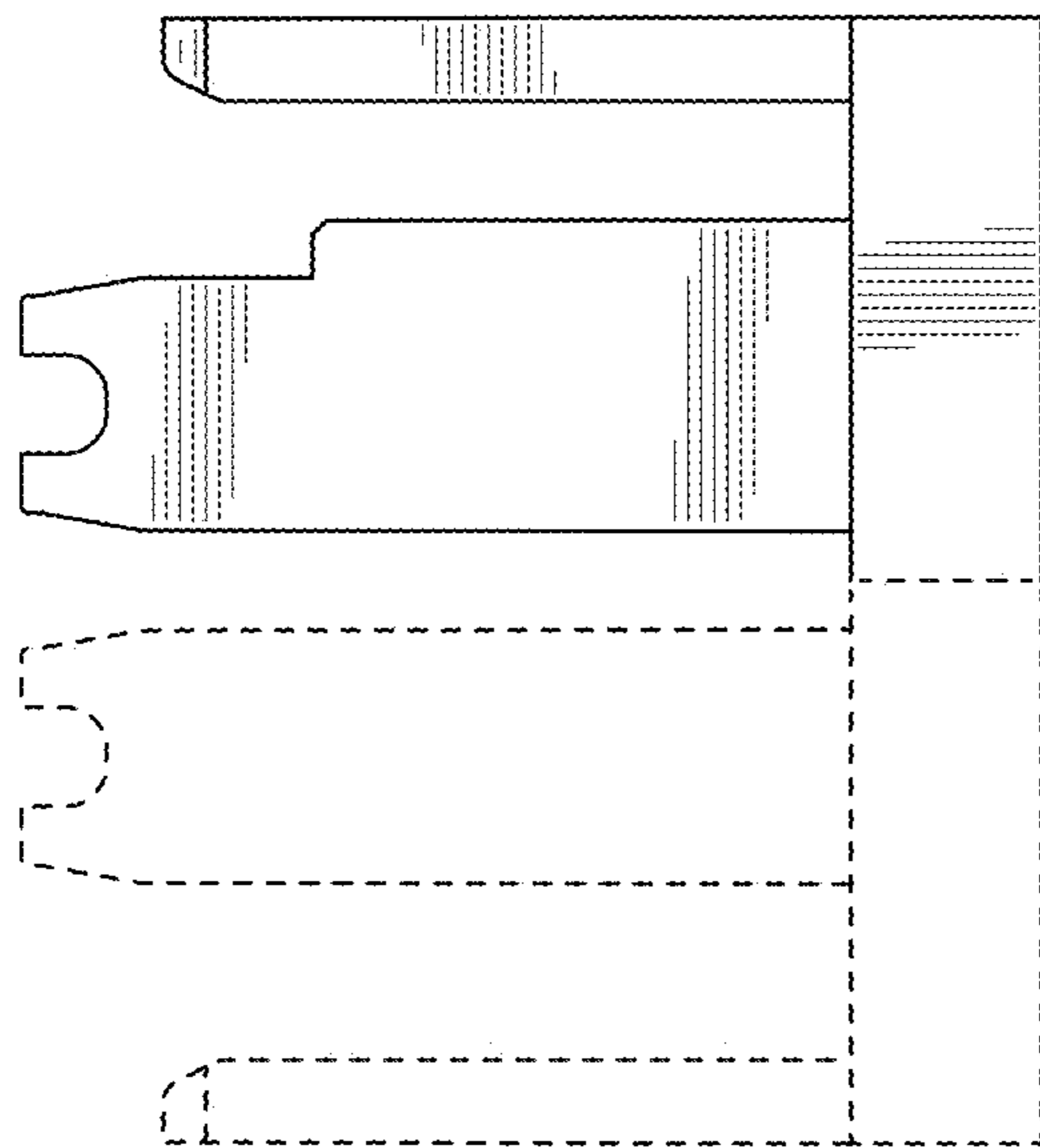


FIG. 15

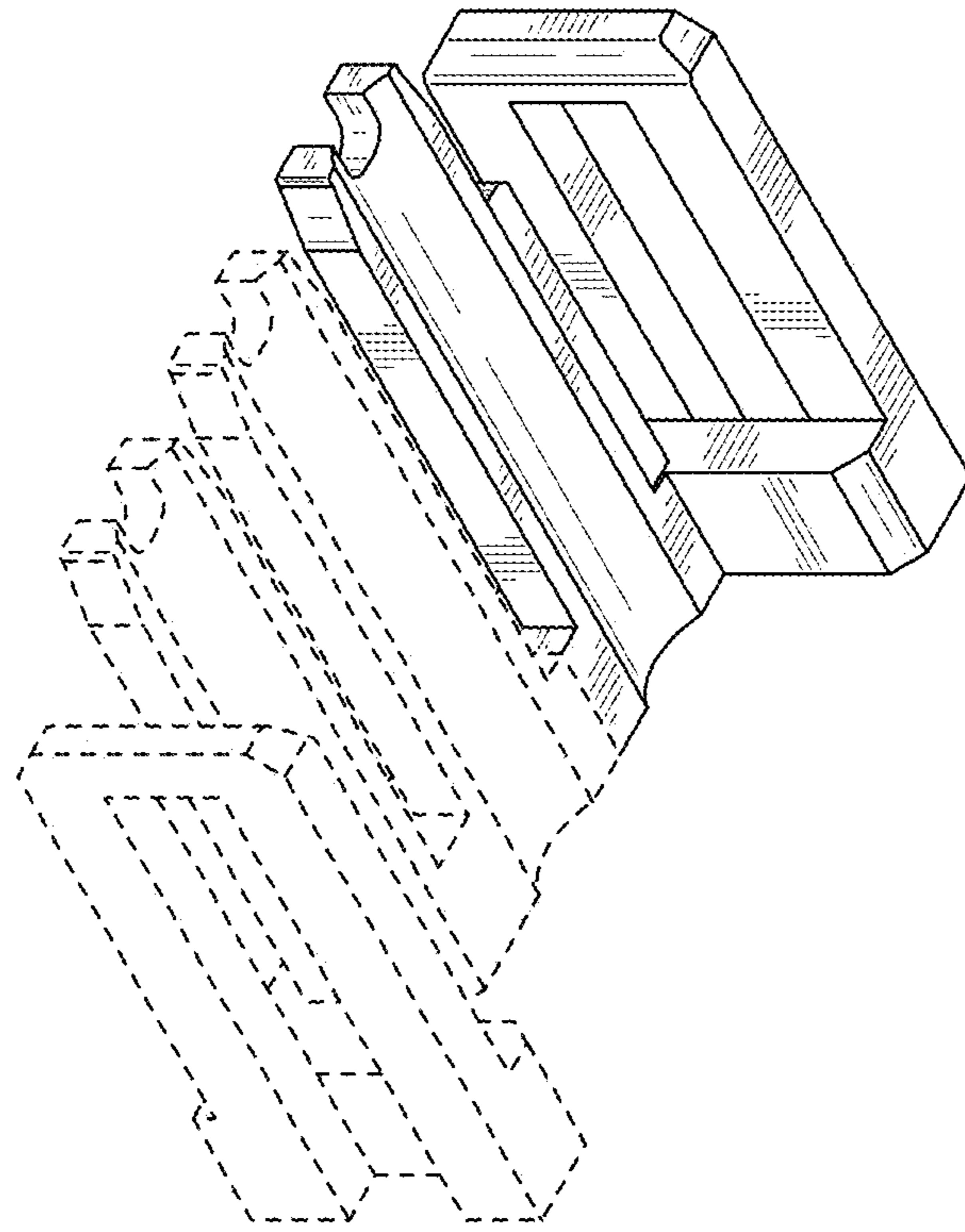


FIG. 18

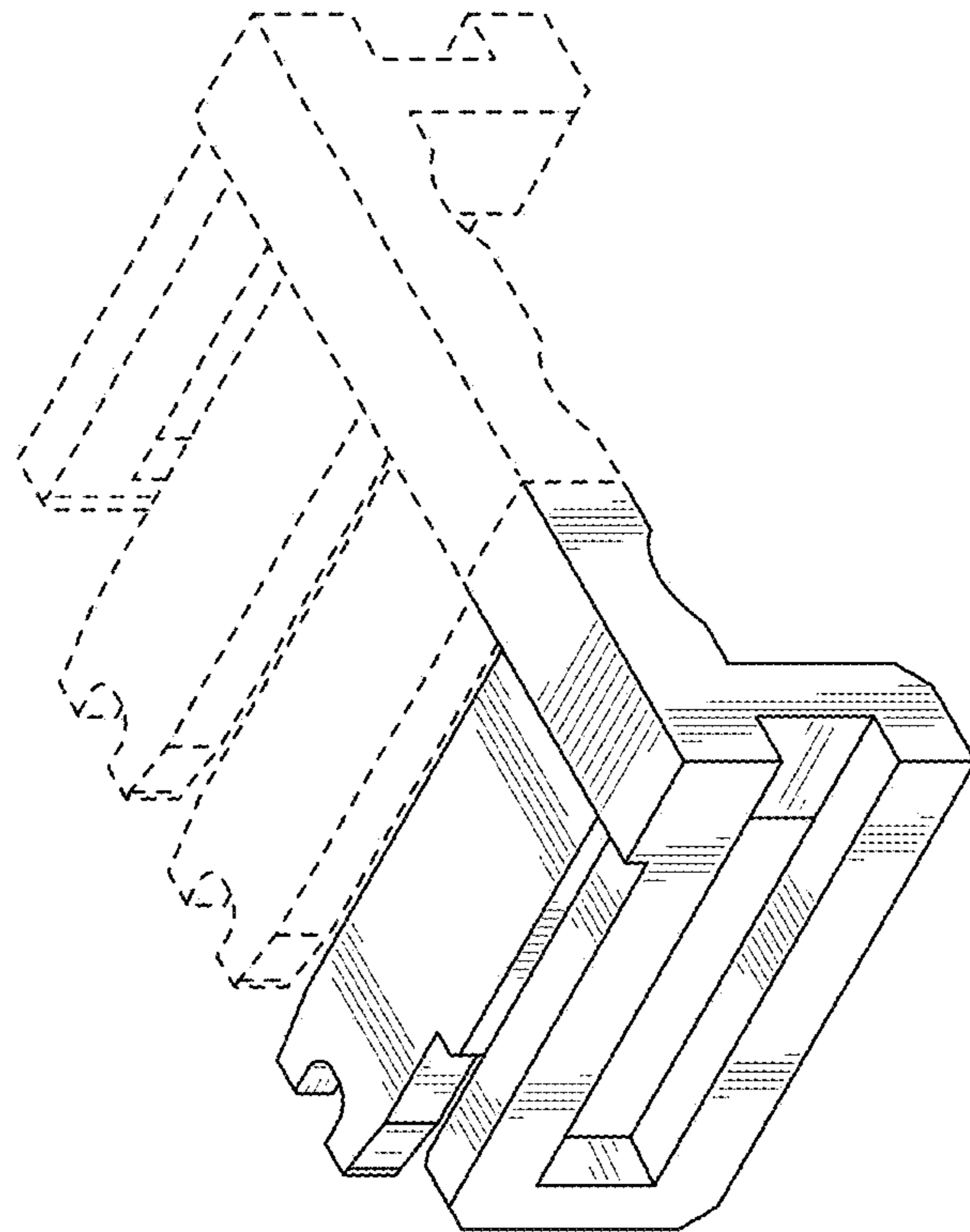


FIG. 17

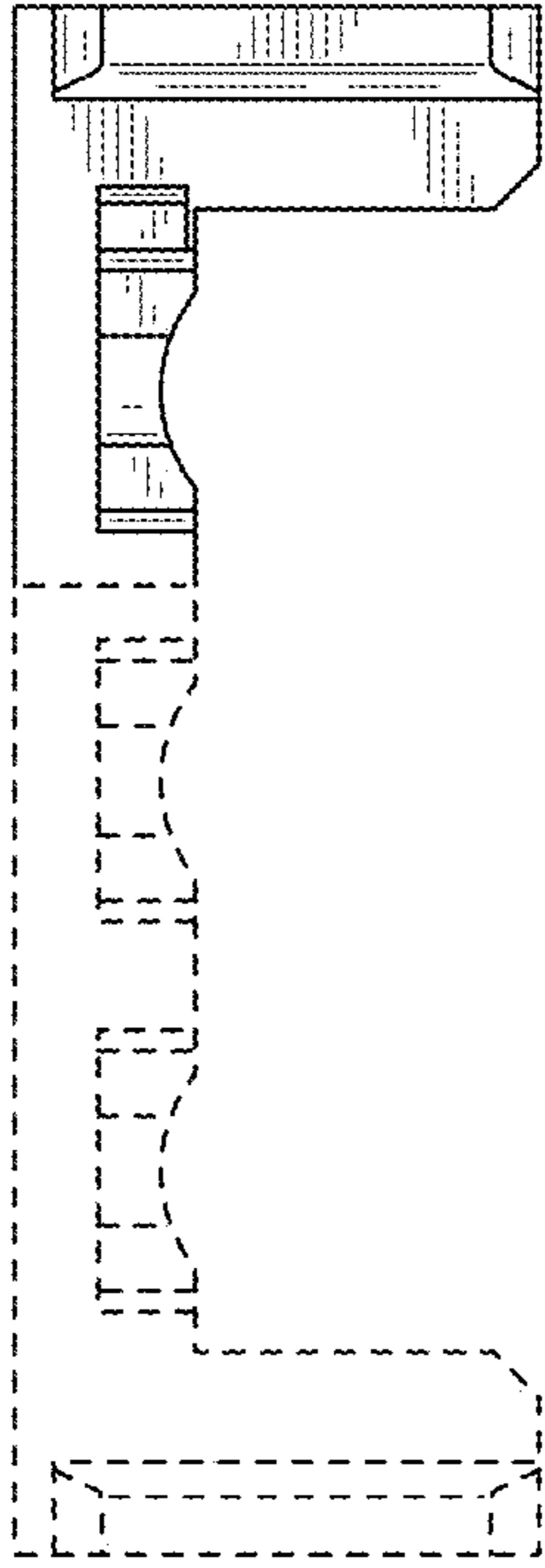


FIG. 19

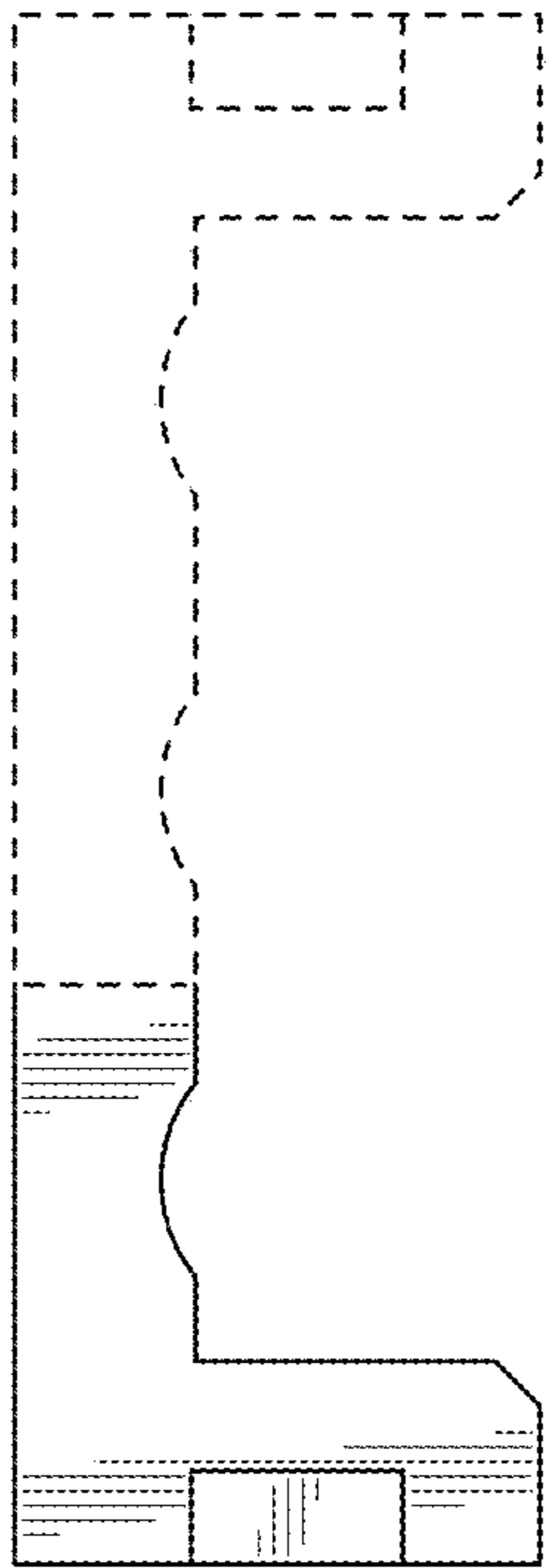


FIG. 20

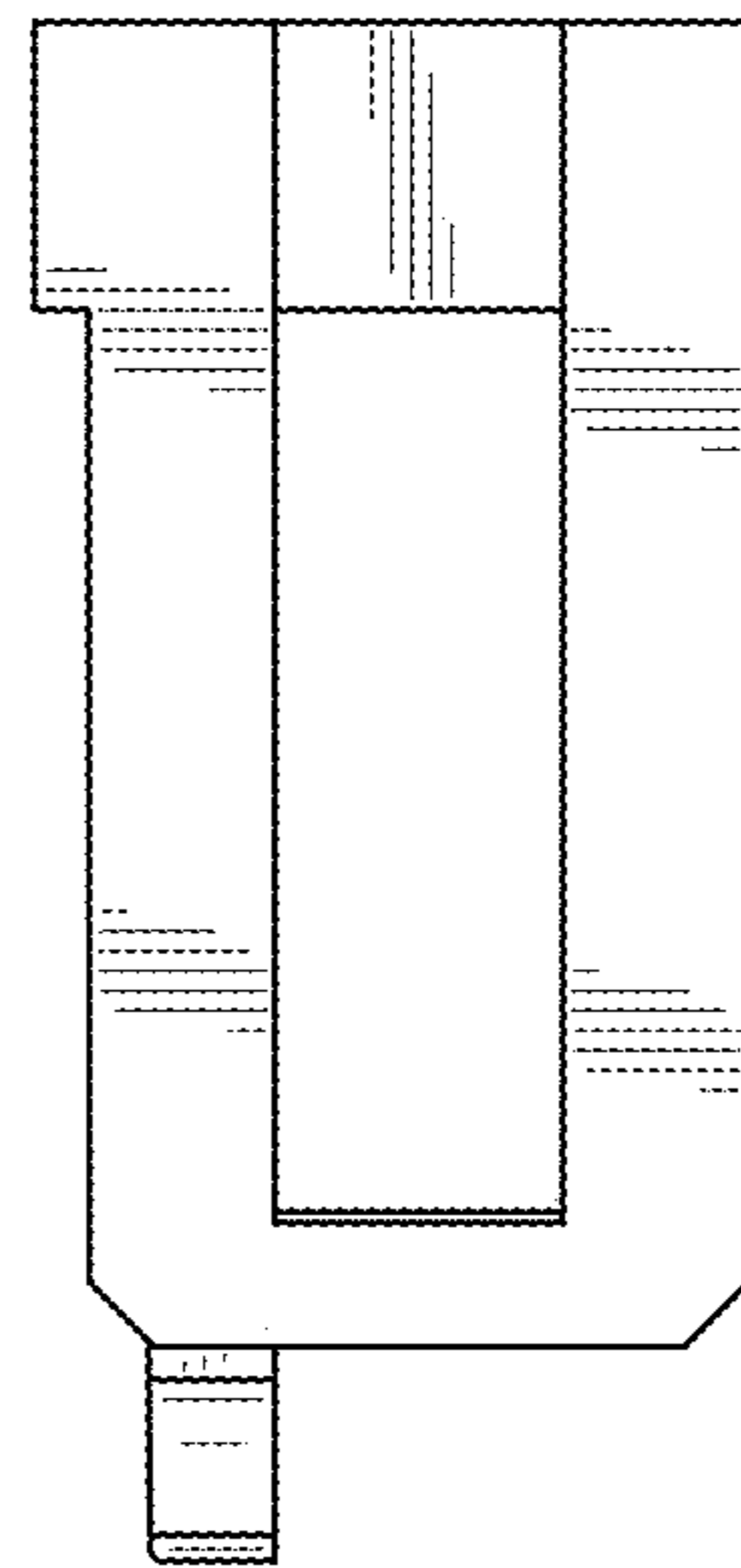


FIG. 21

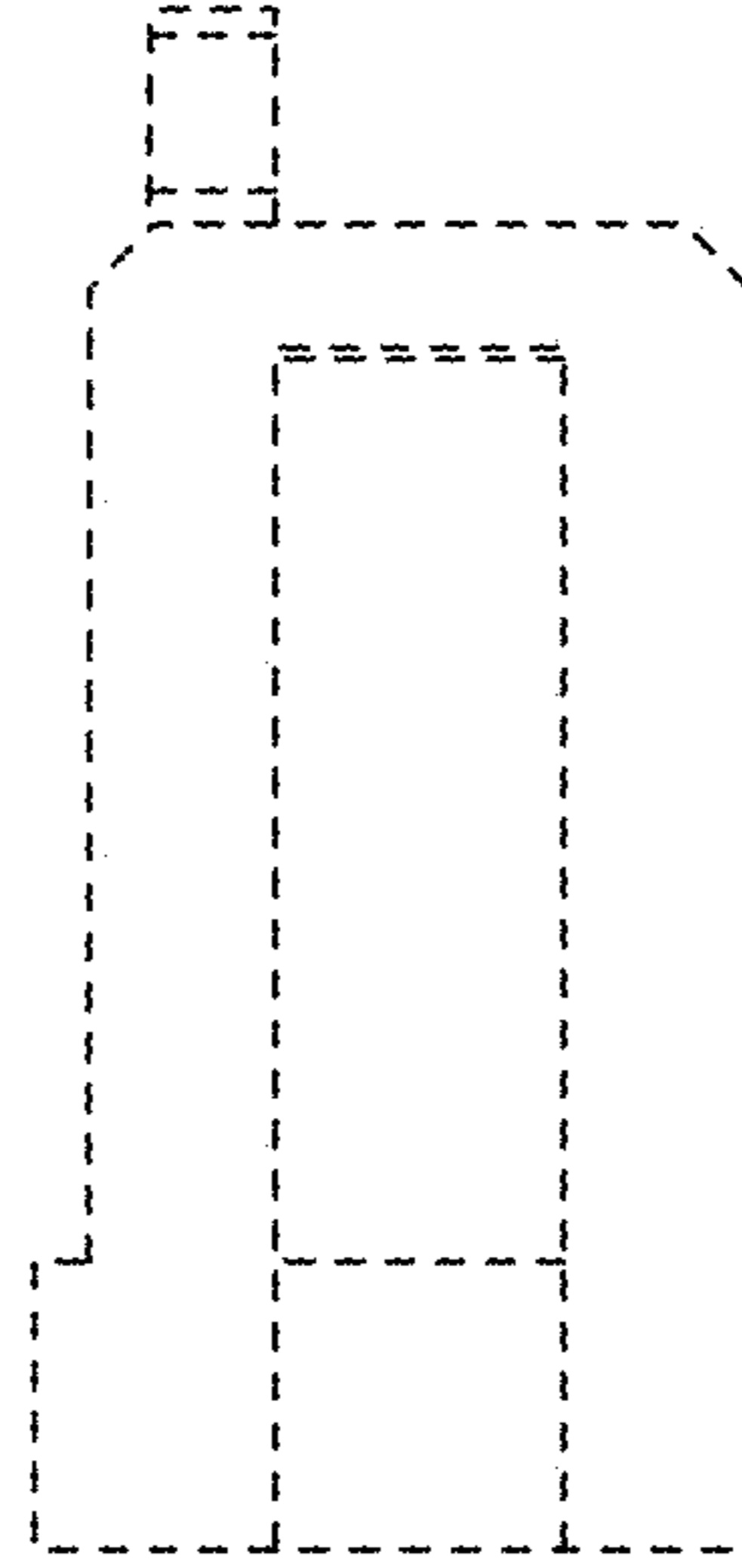


FIG. 22

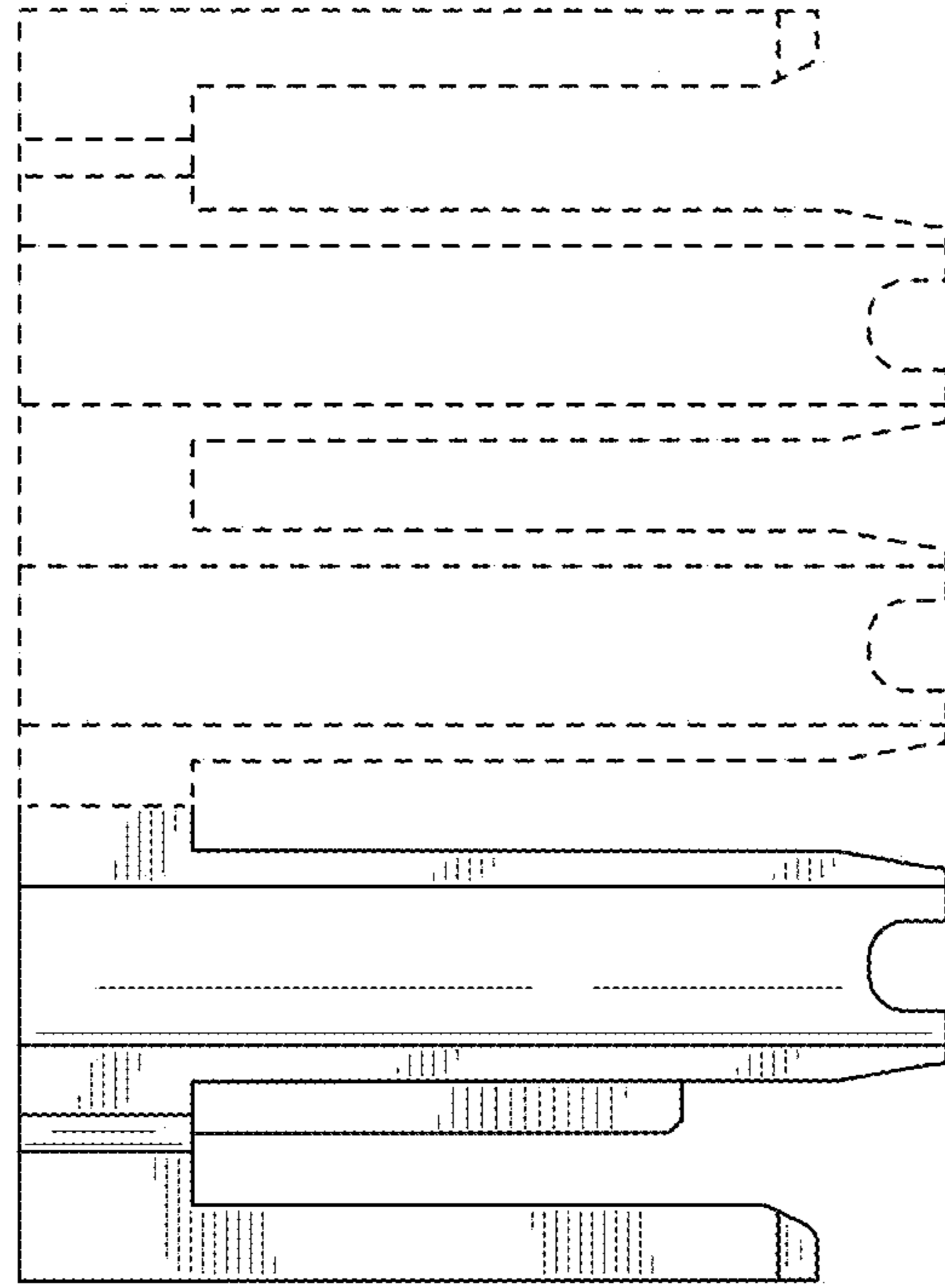


FIG. 24

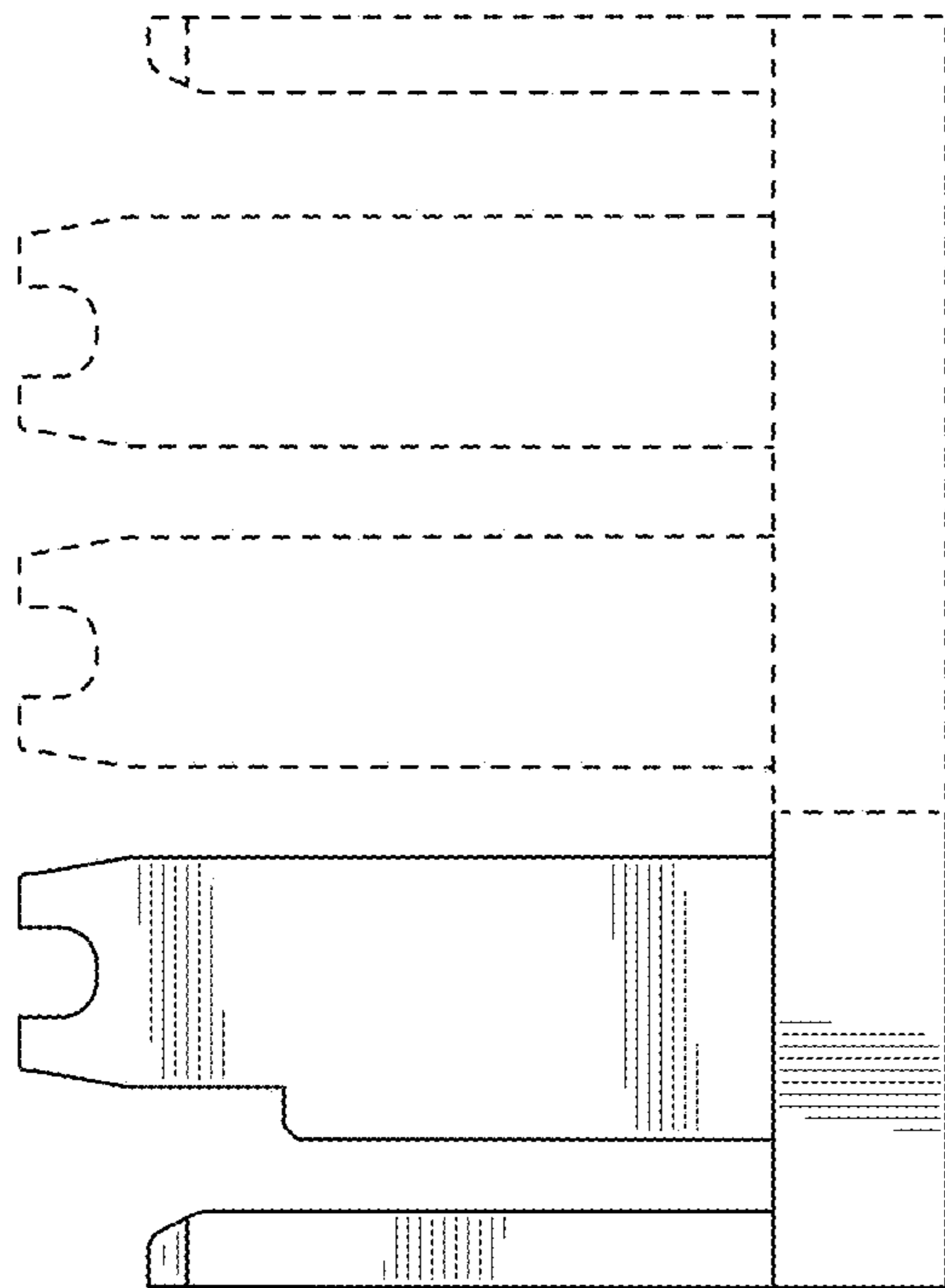


FIG. 23



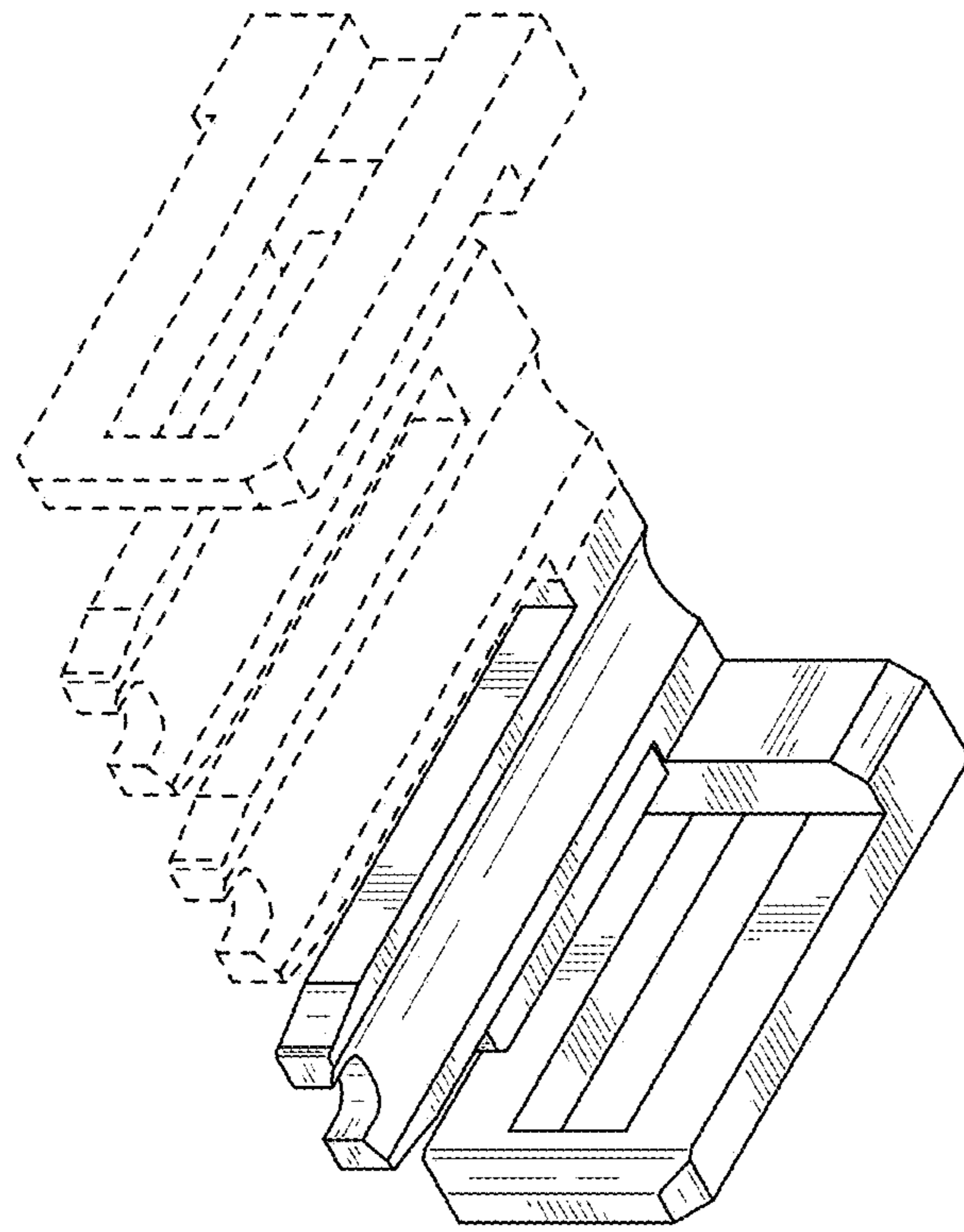


FIG. 26

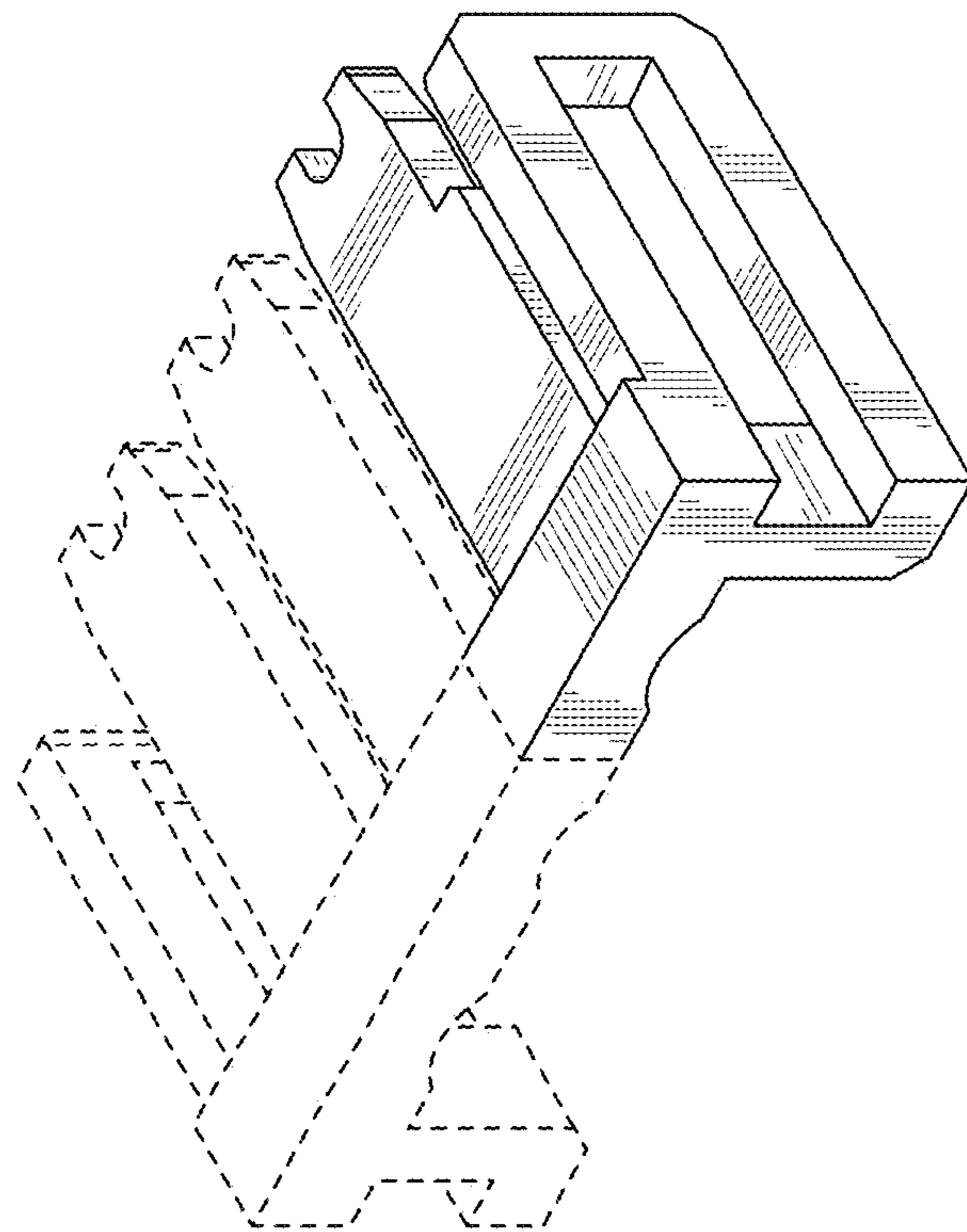


FIG. 25

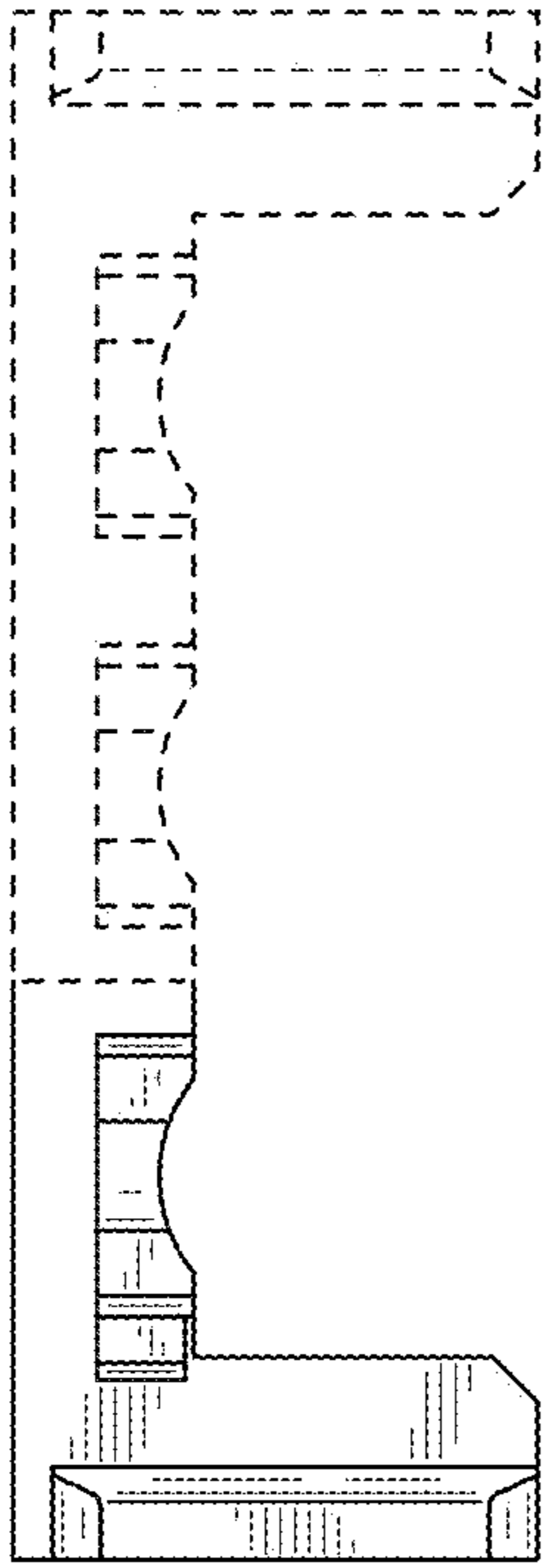


FIG. 27

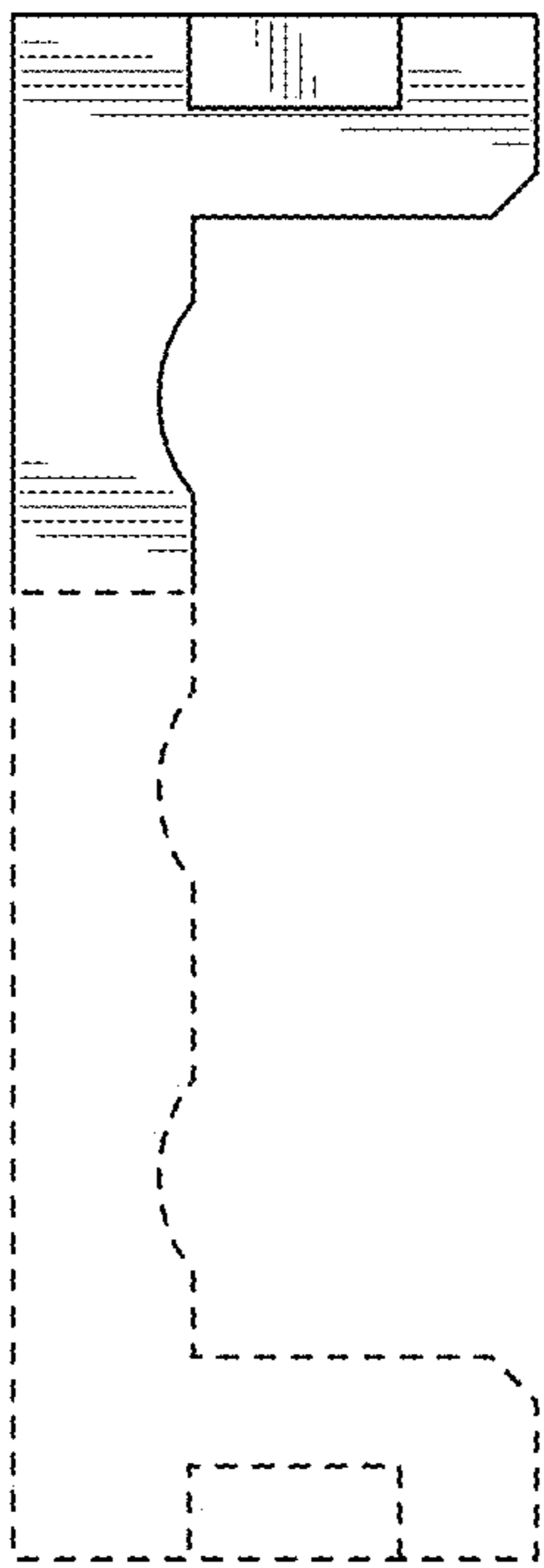


FIG. 28

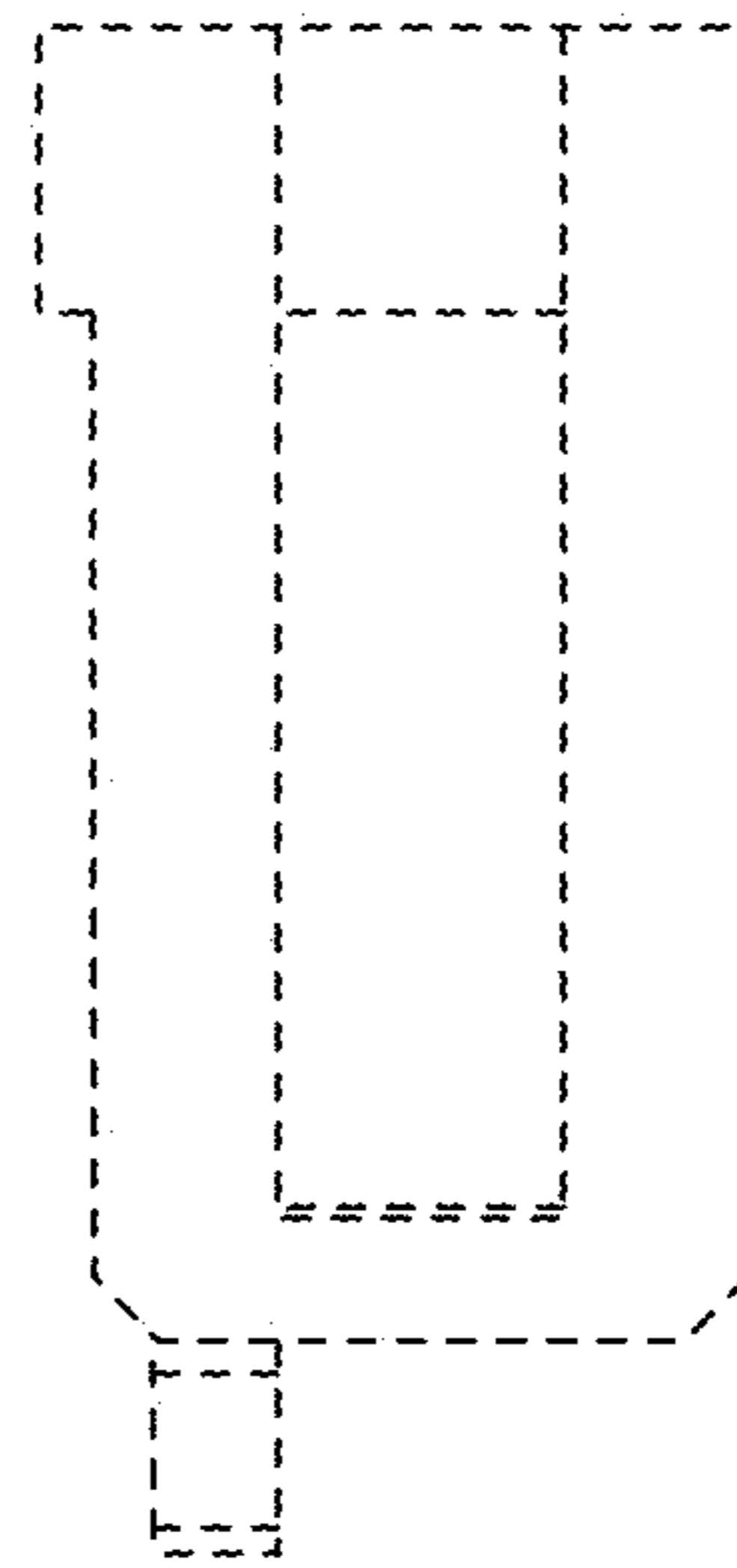


FIG. 29

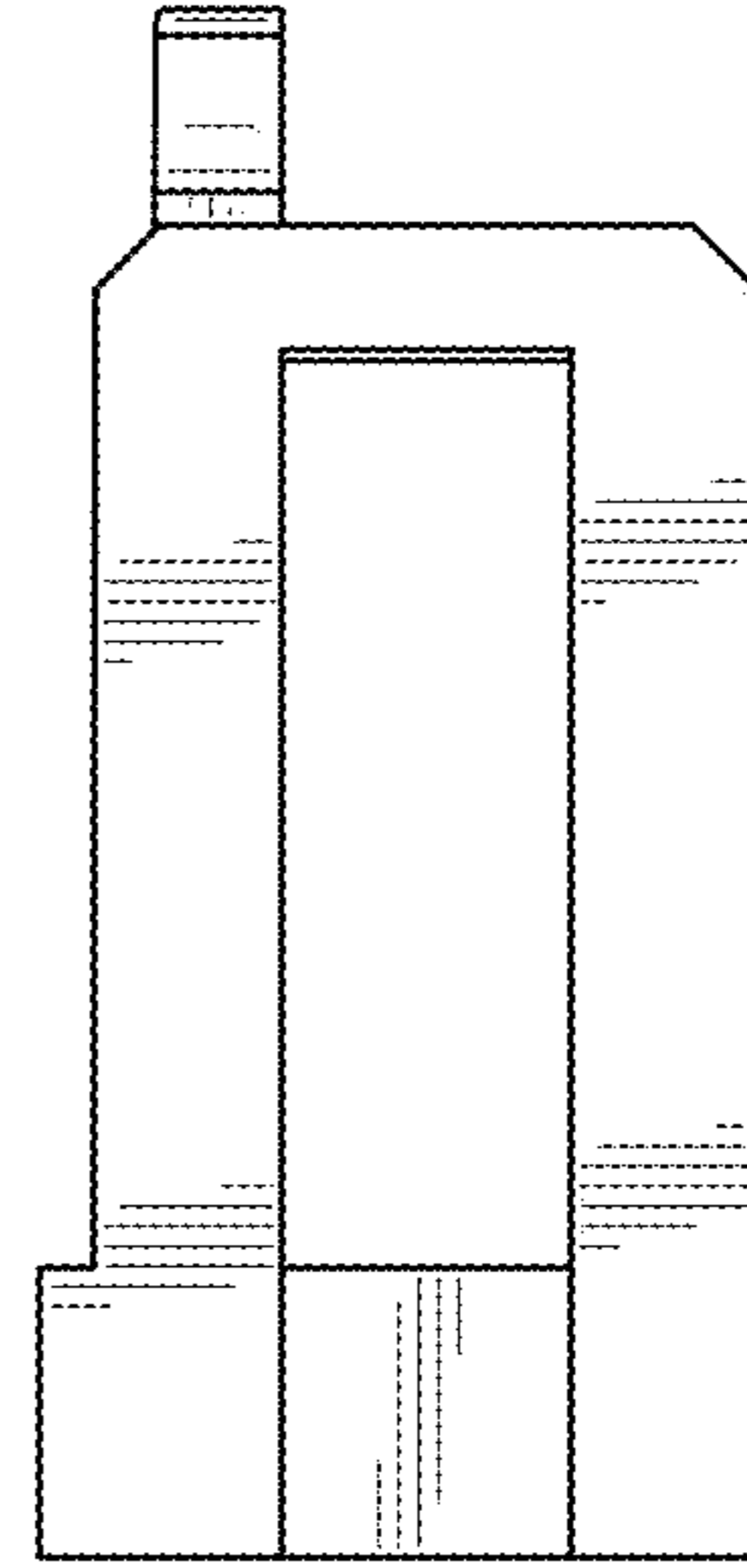


FIG. 30

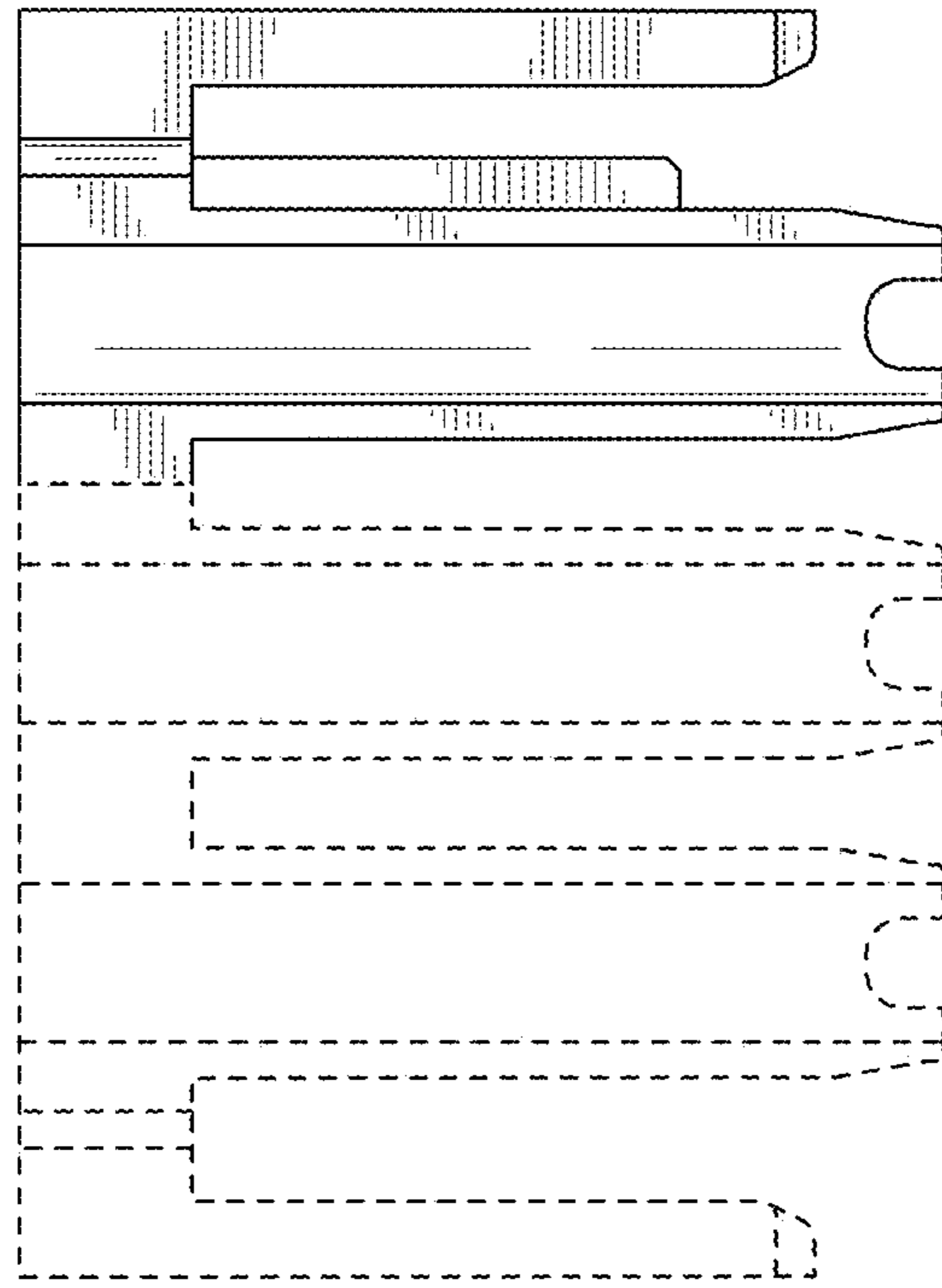


FIG. 32

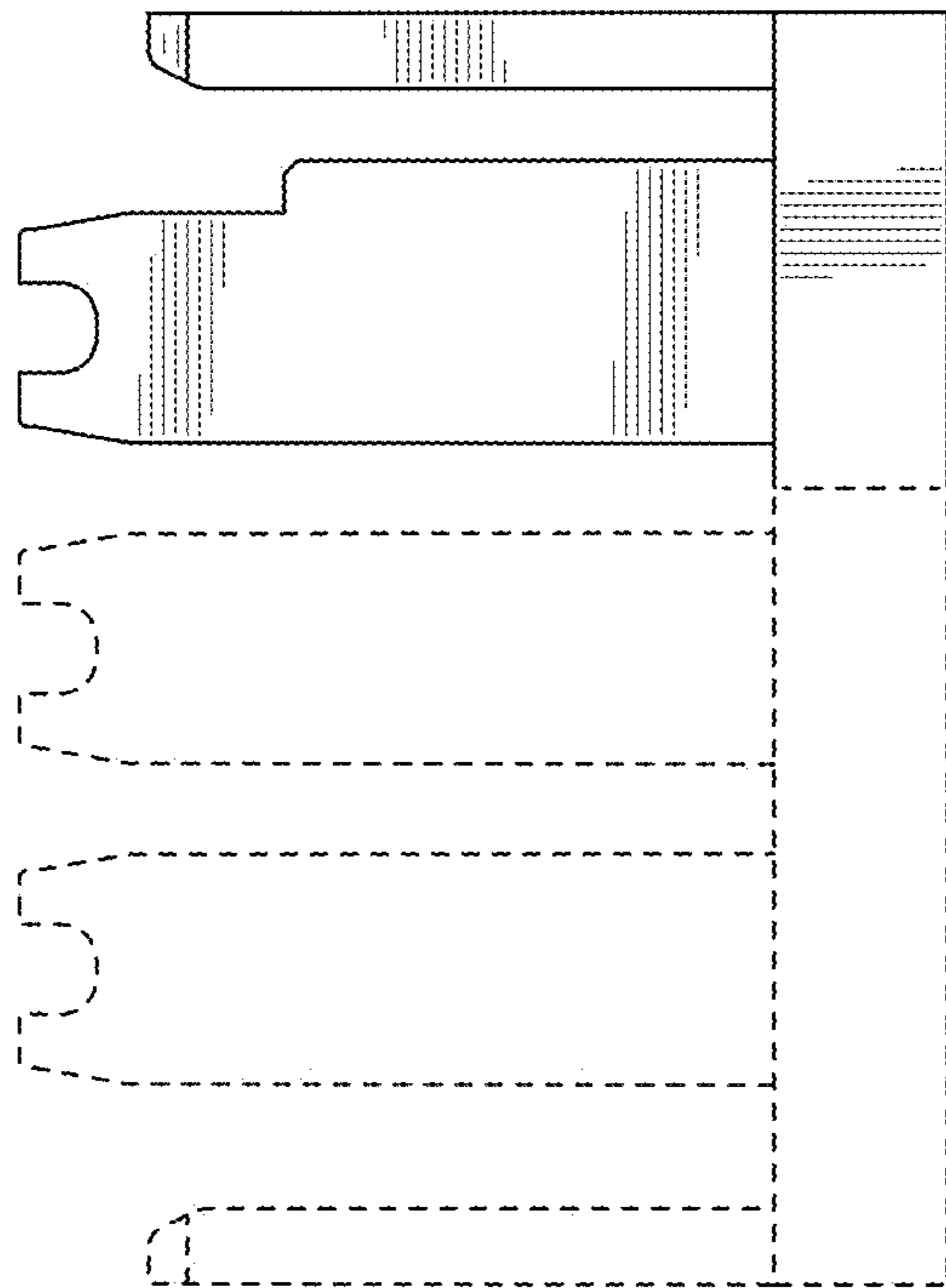


FIG. 31

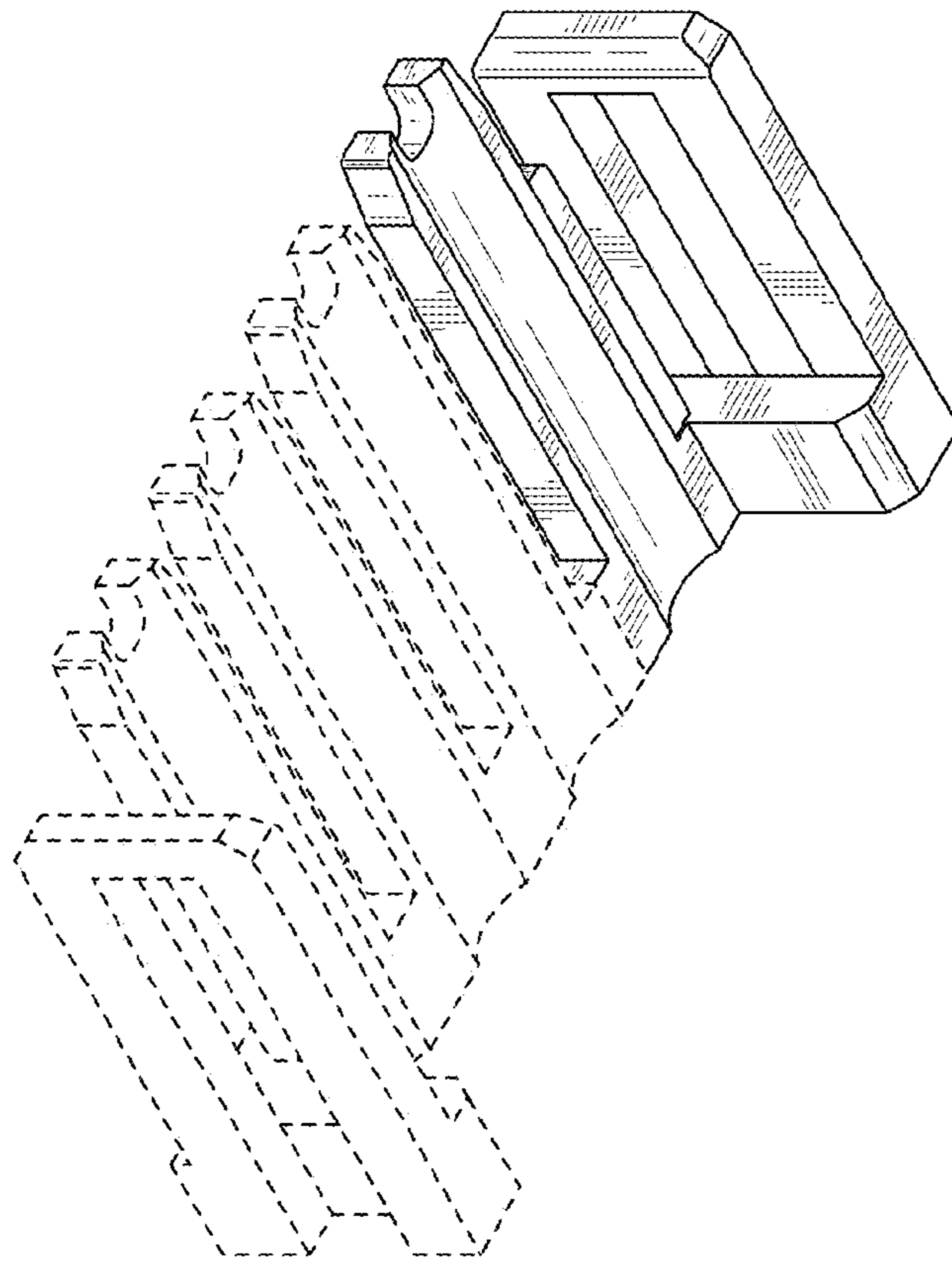


FIG. 34

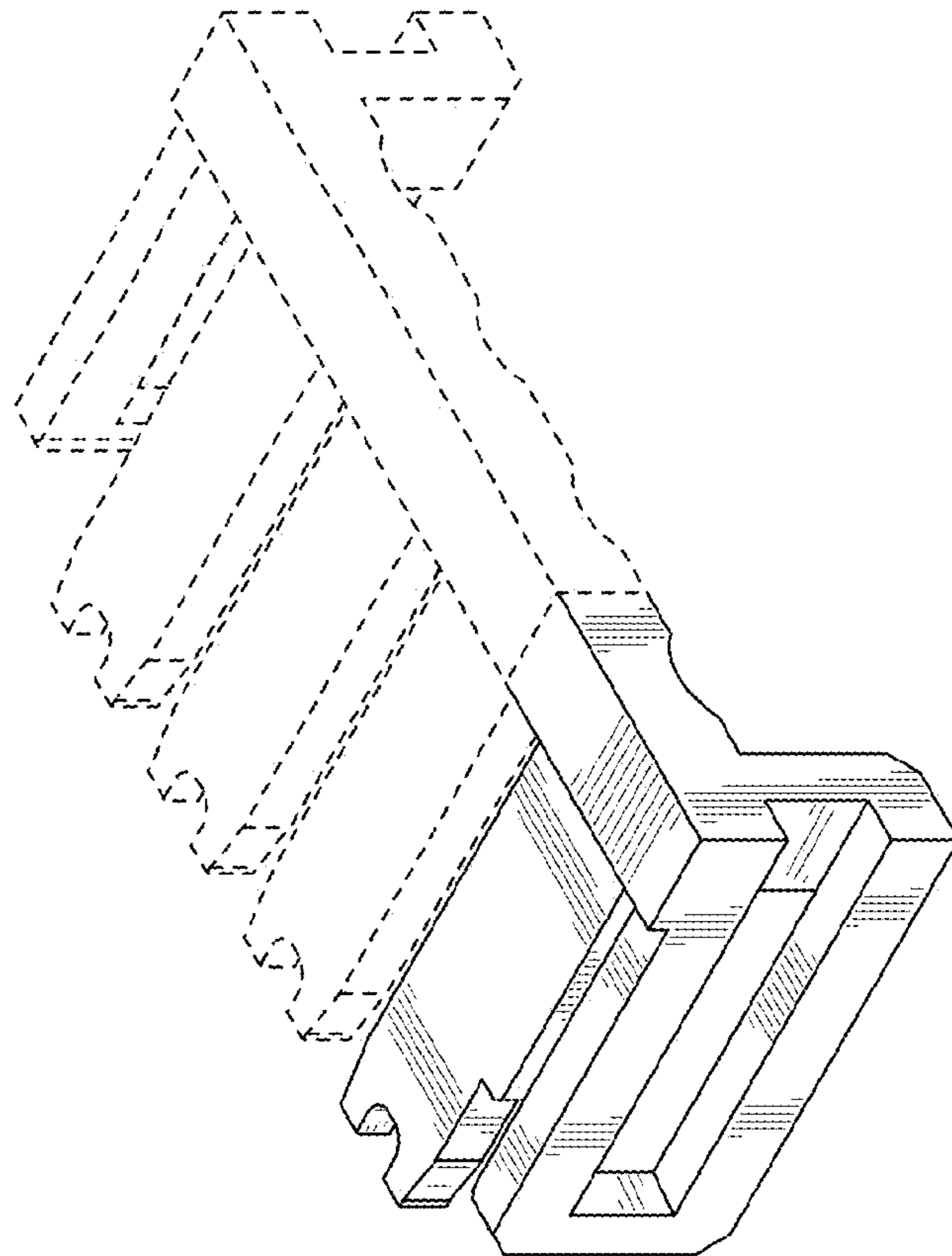


FIG. 33



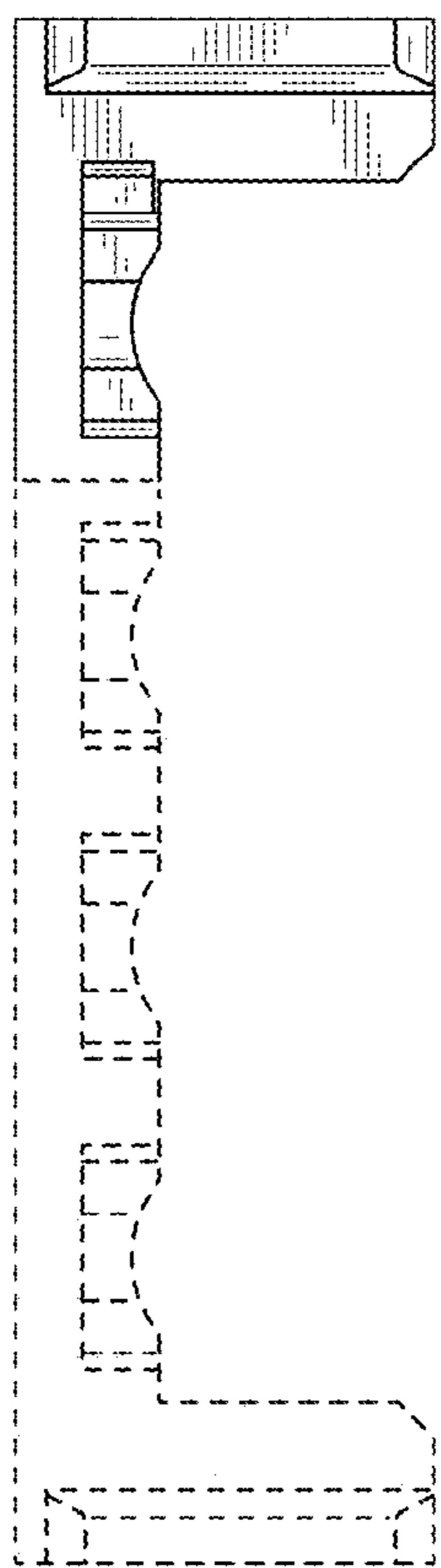


FIG. 35

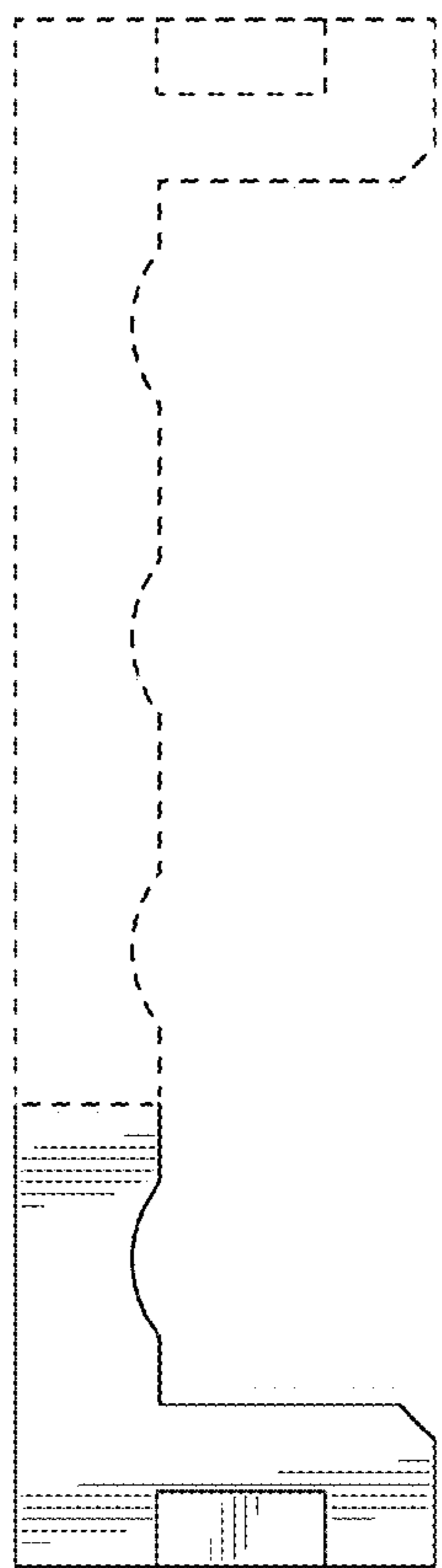


FIG. 36

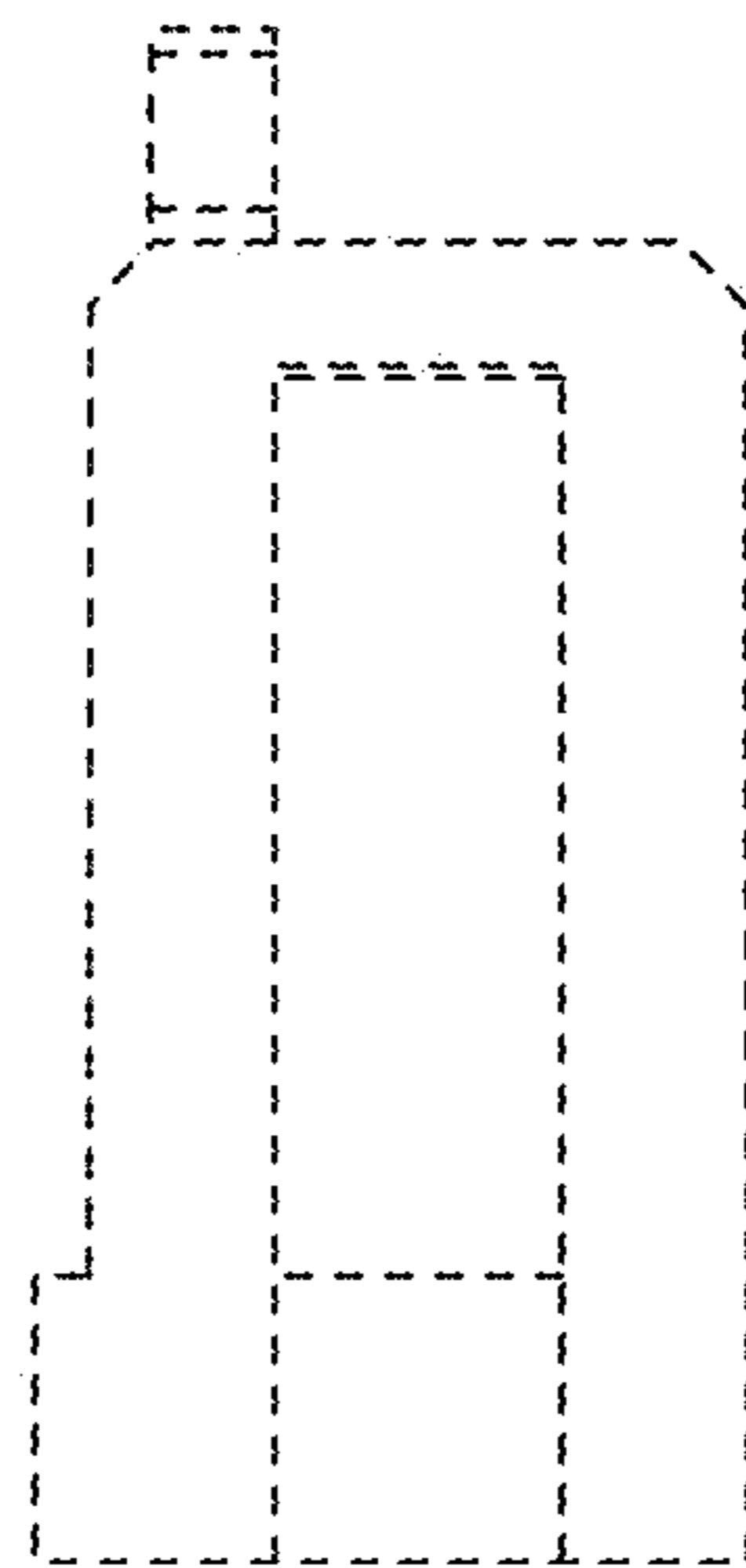


FIG. 37

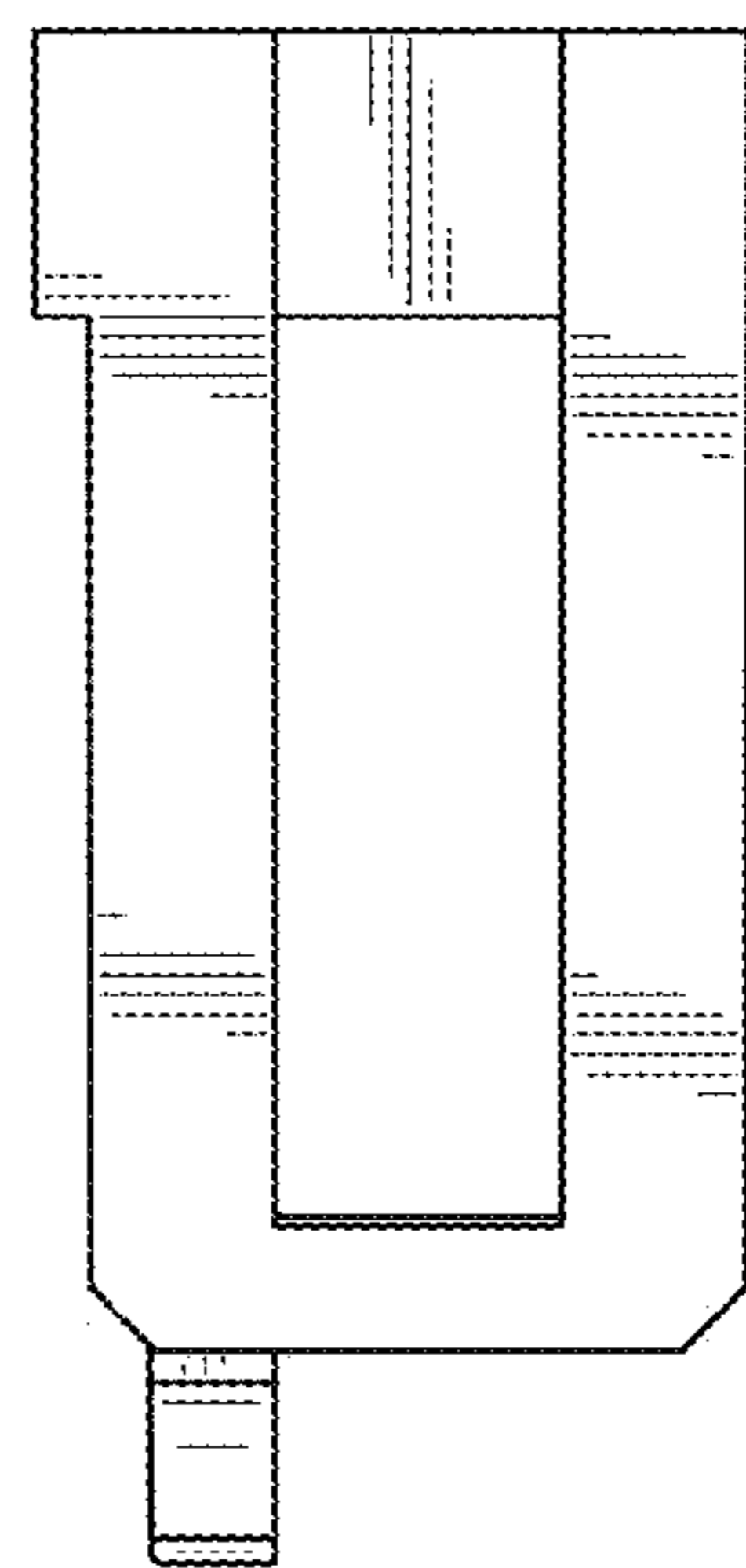


FIG. 38

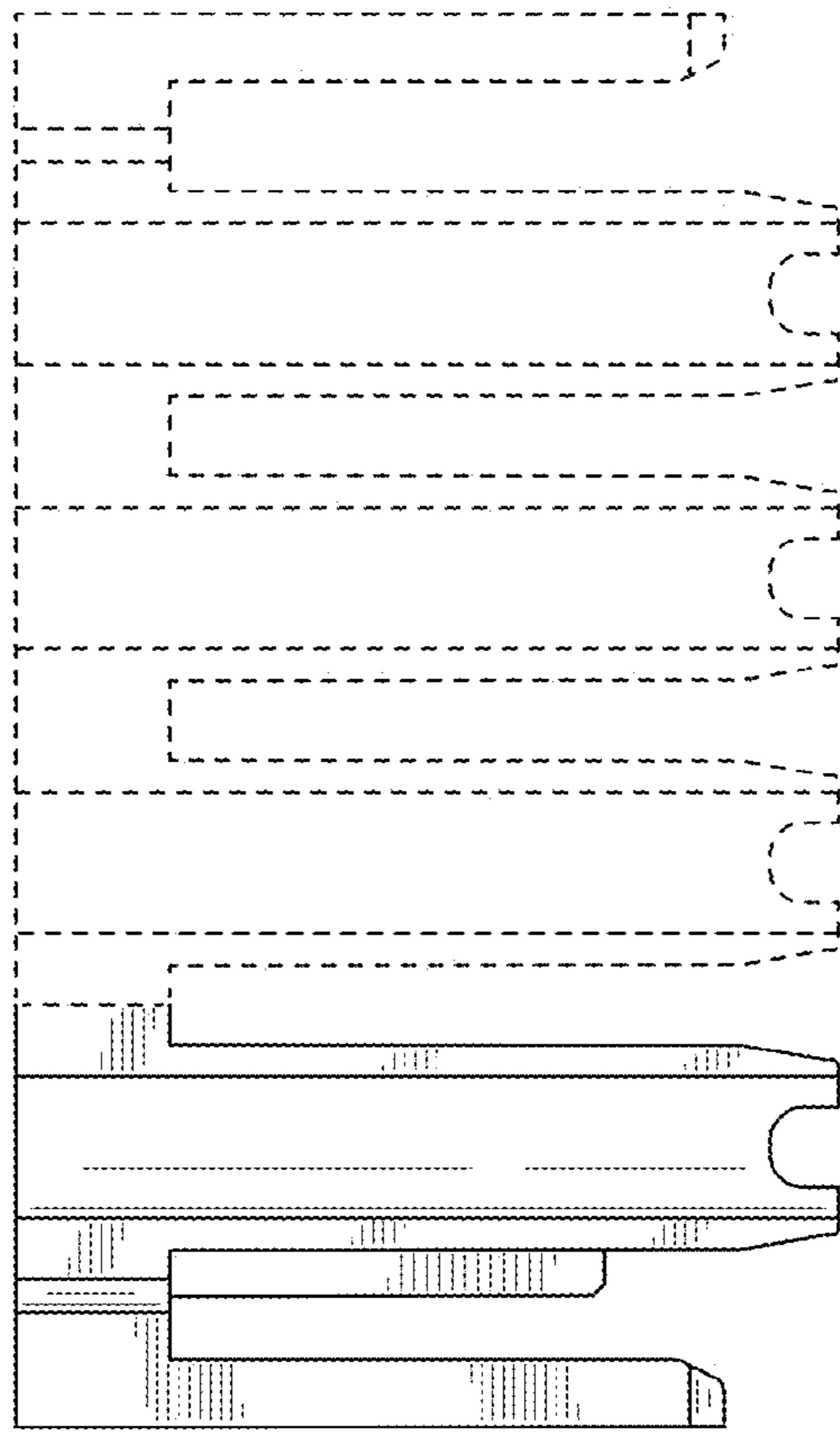


FIG. 39

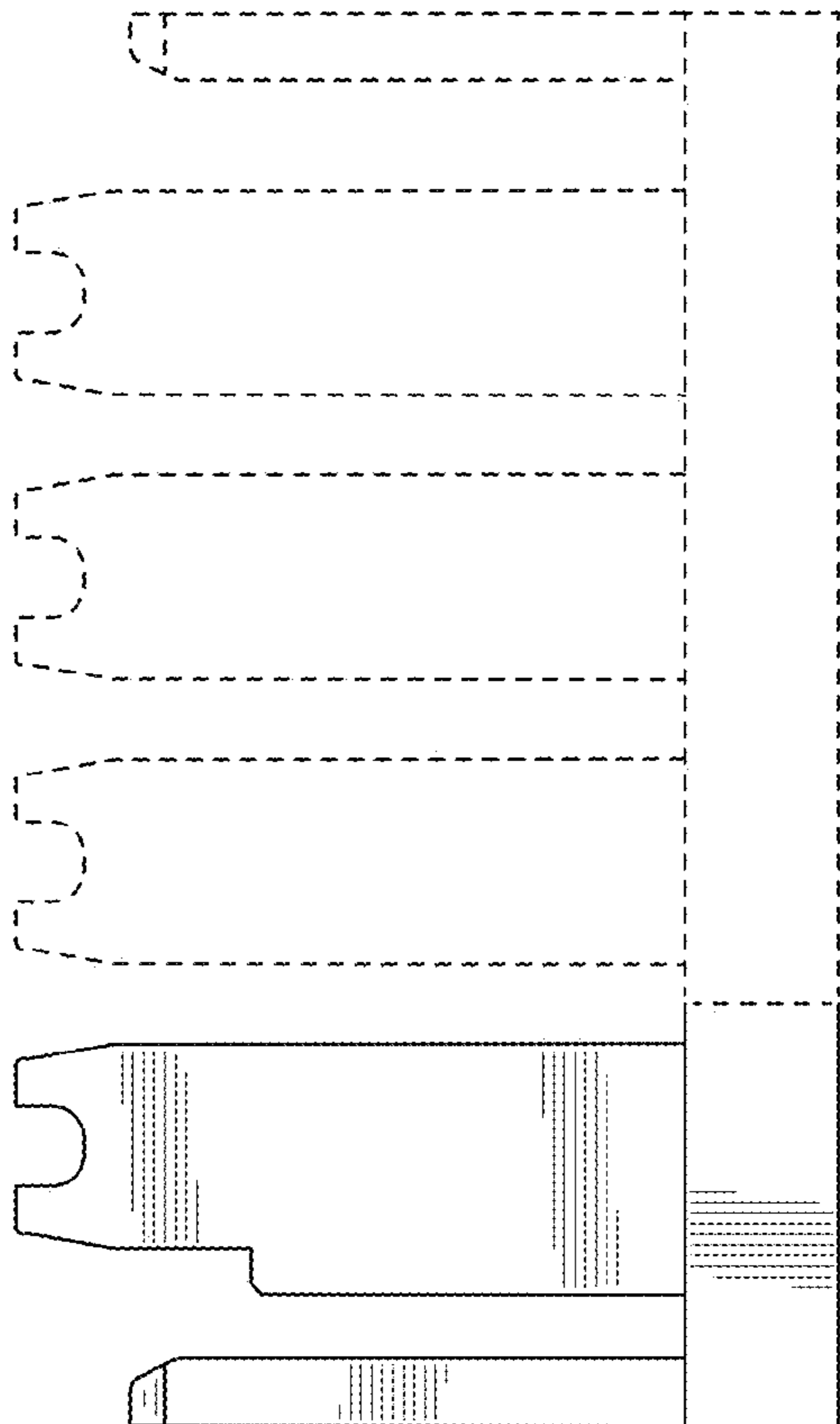


FIG. 40

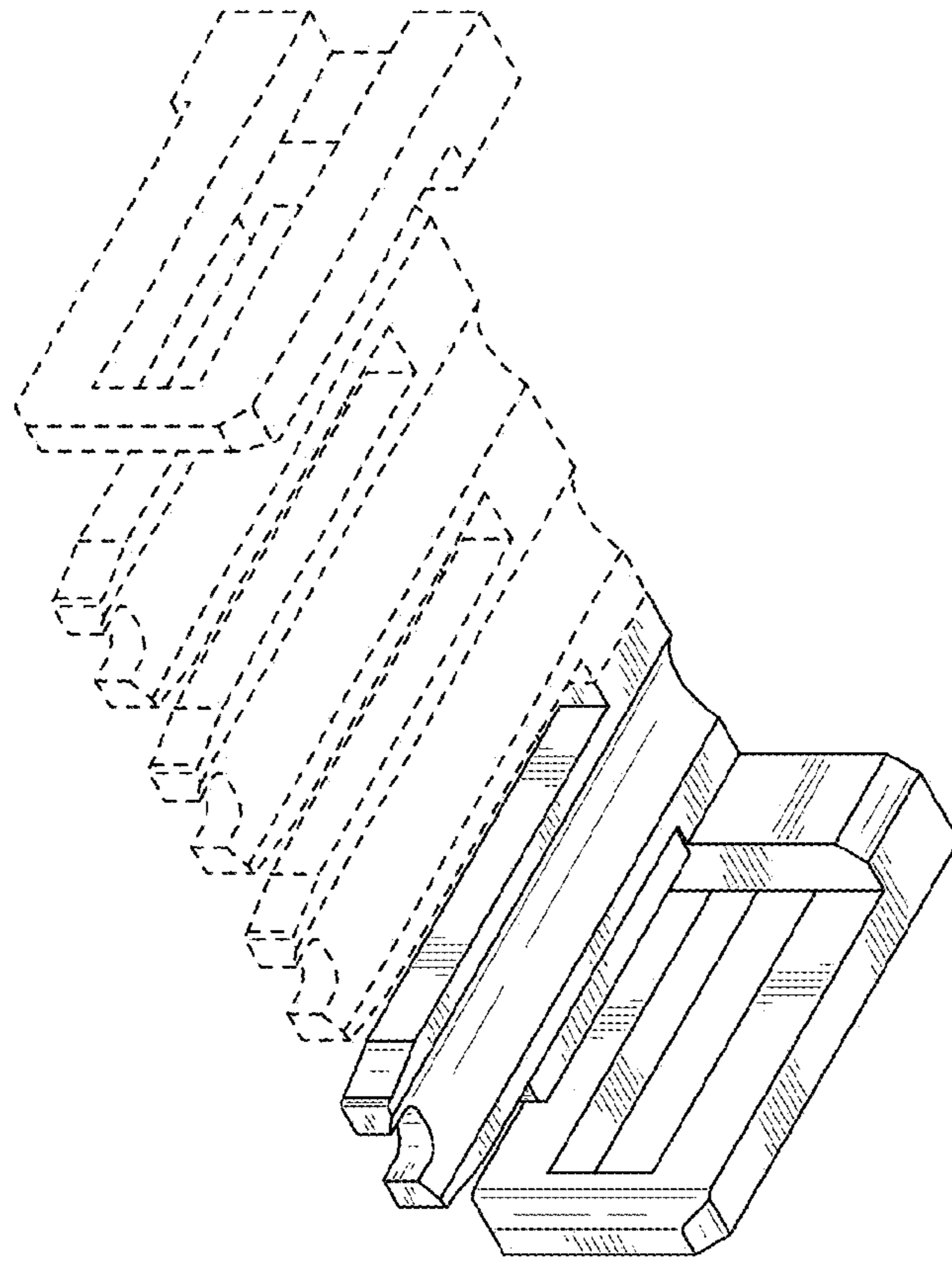


FIG. 42

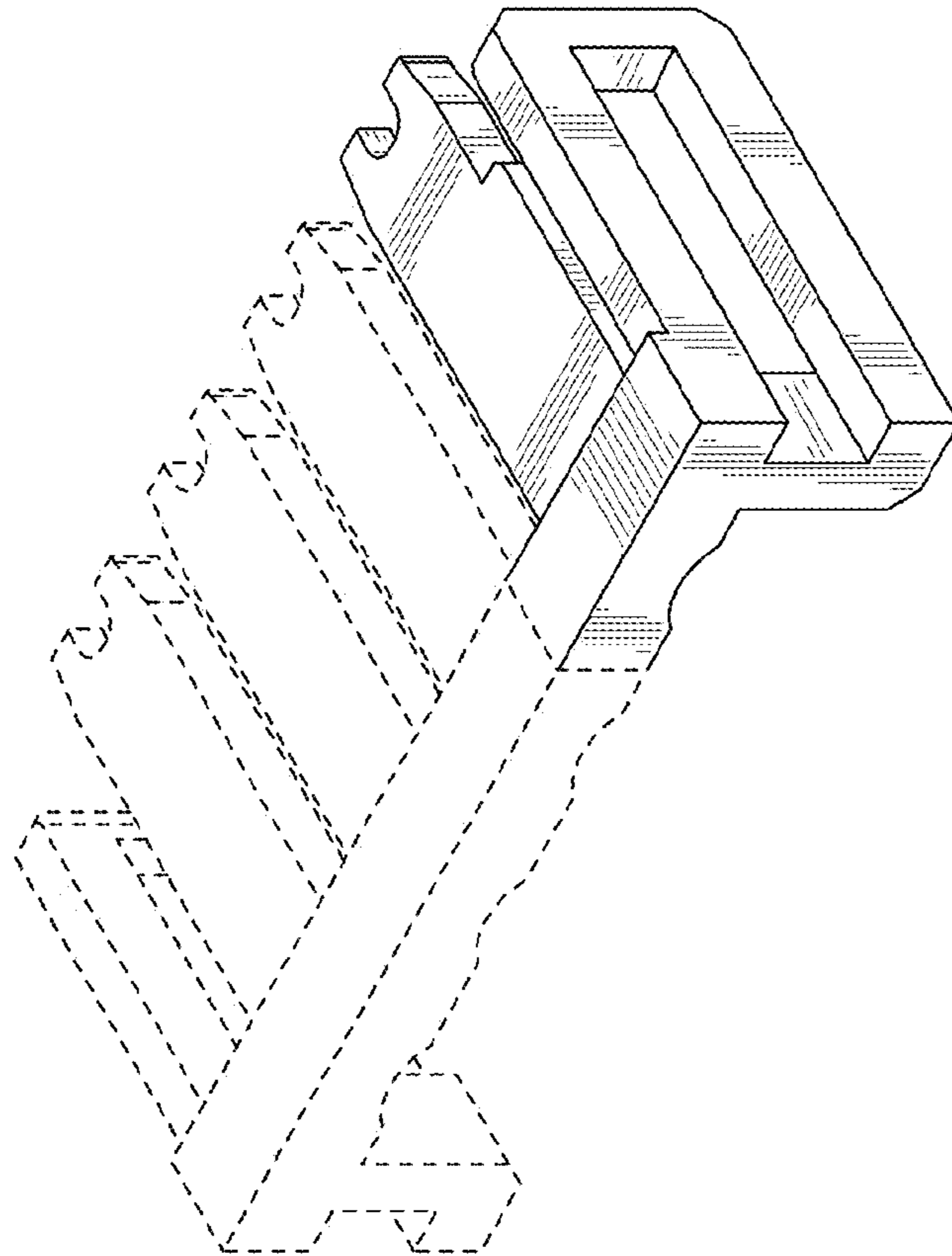


FIG. 41

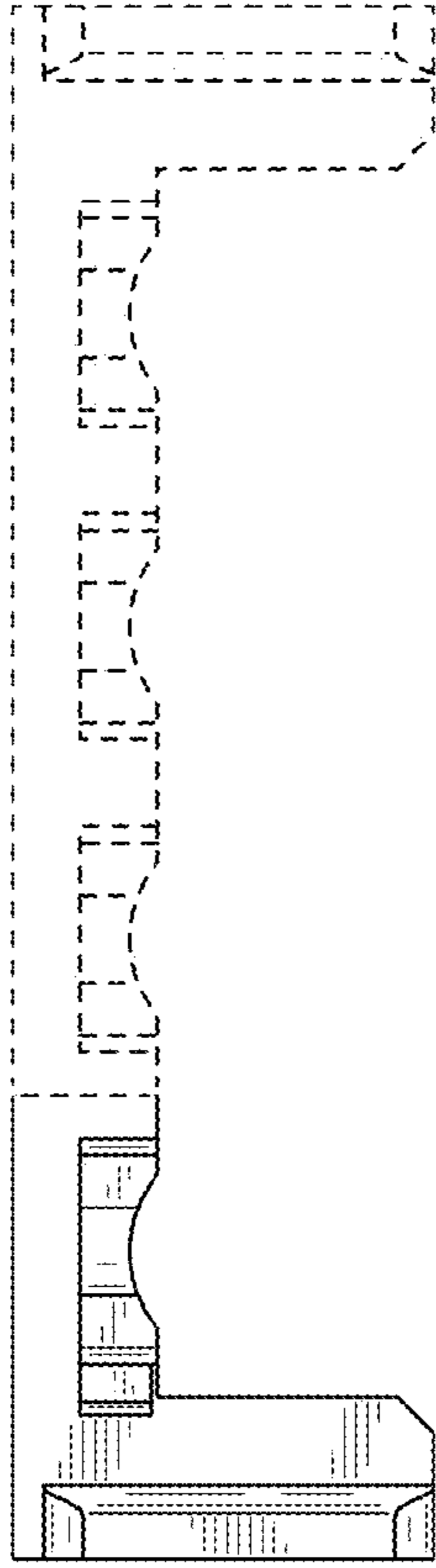


FIG. 43

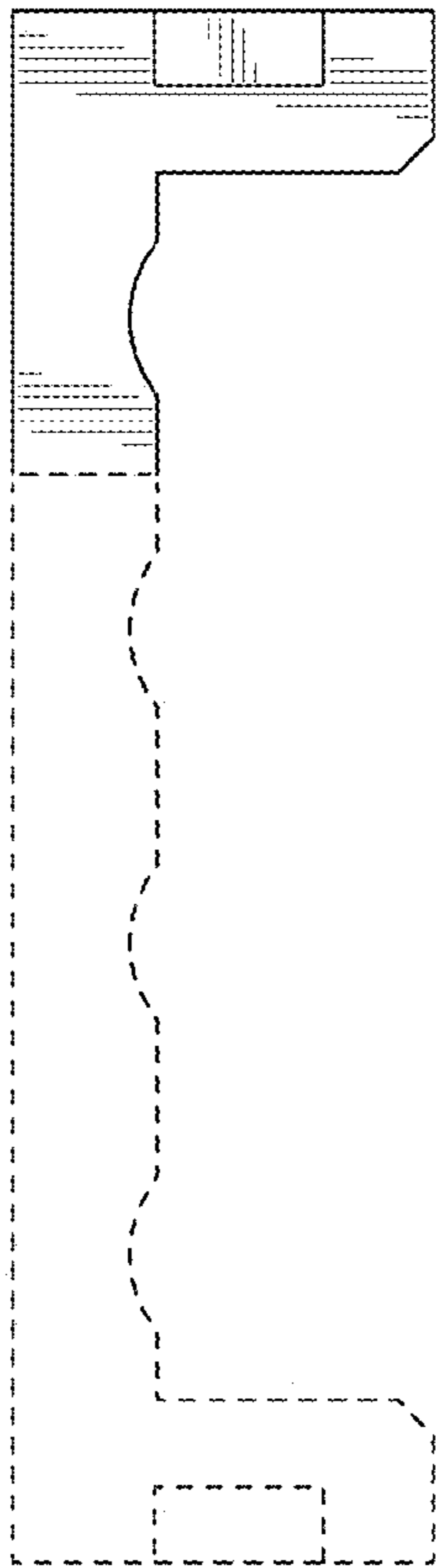


FIG. 44

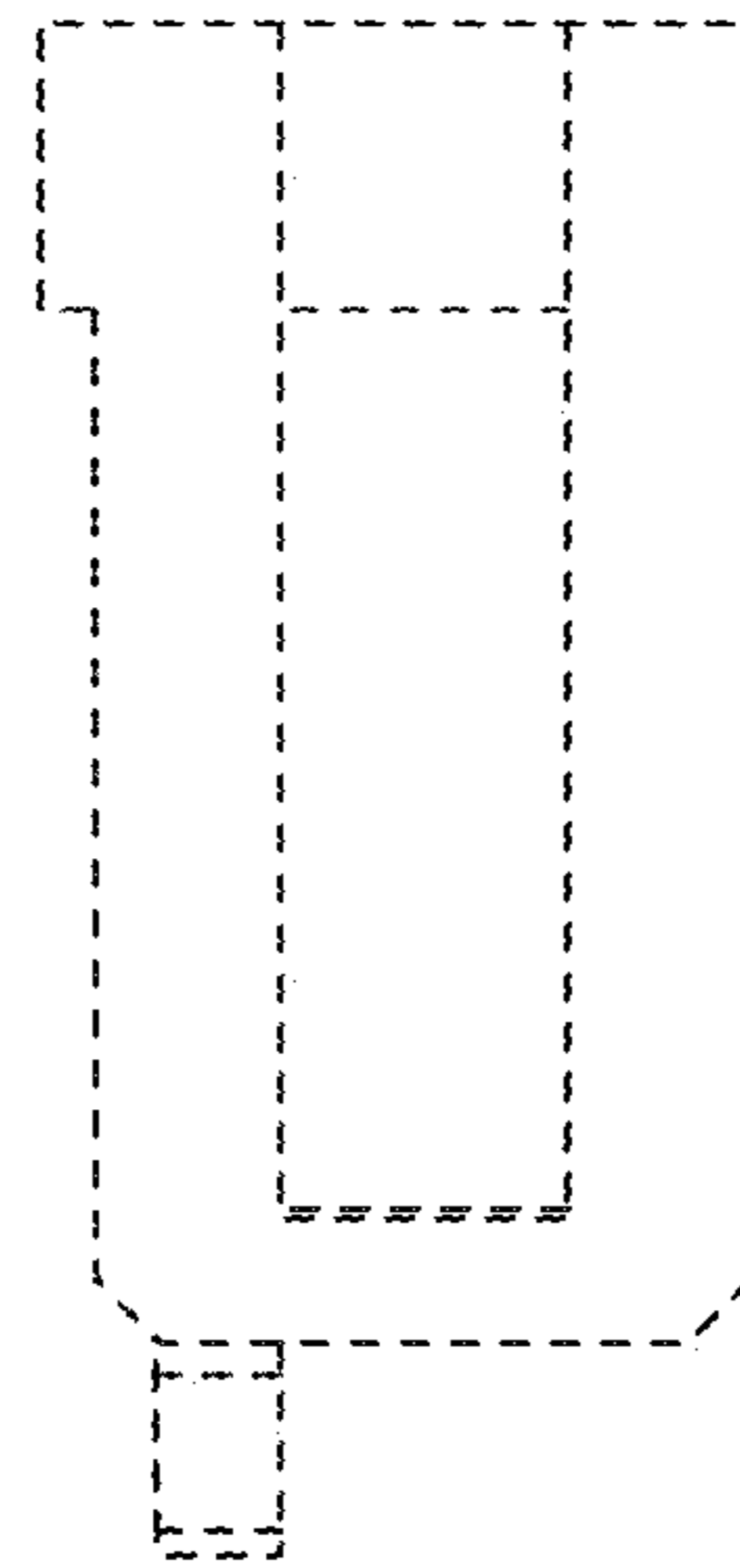


FIG. 45



FIG. 46



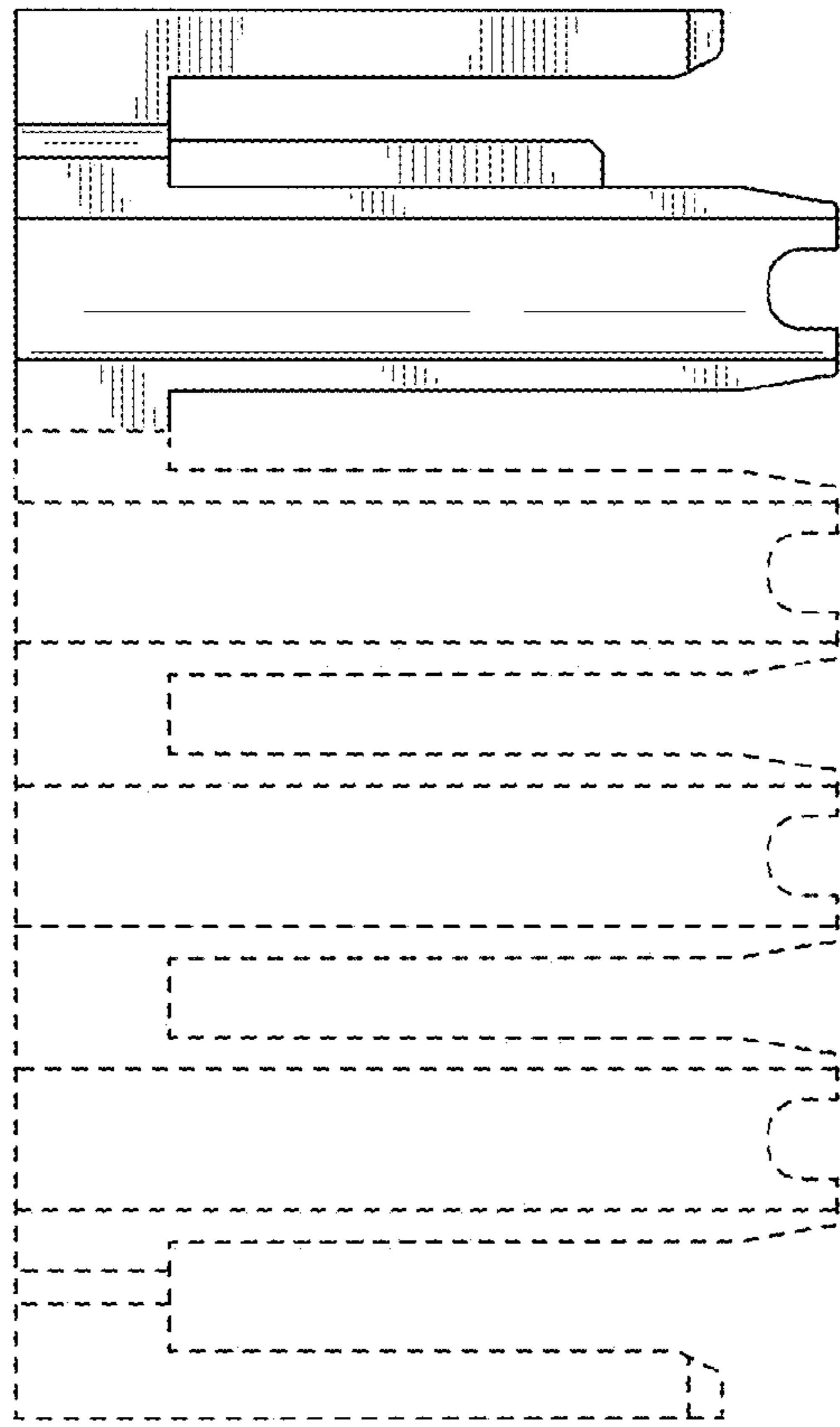


FIG. 47

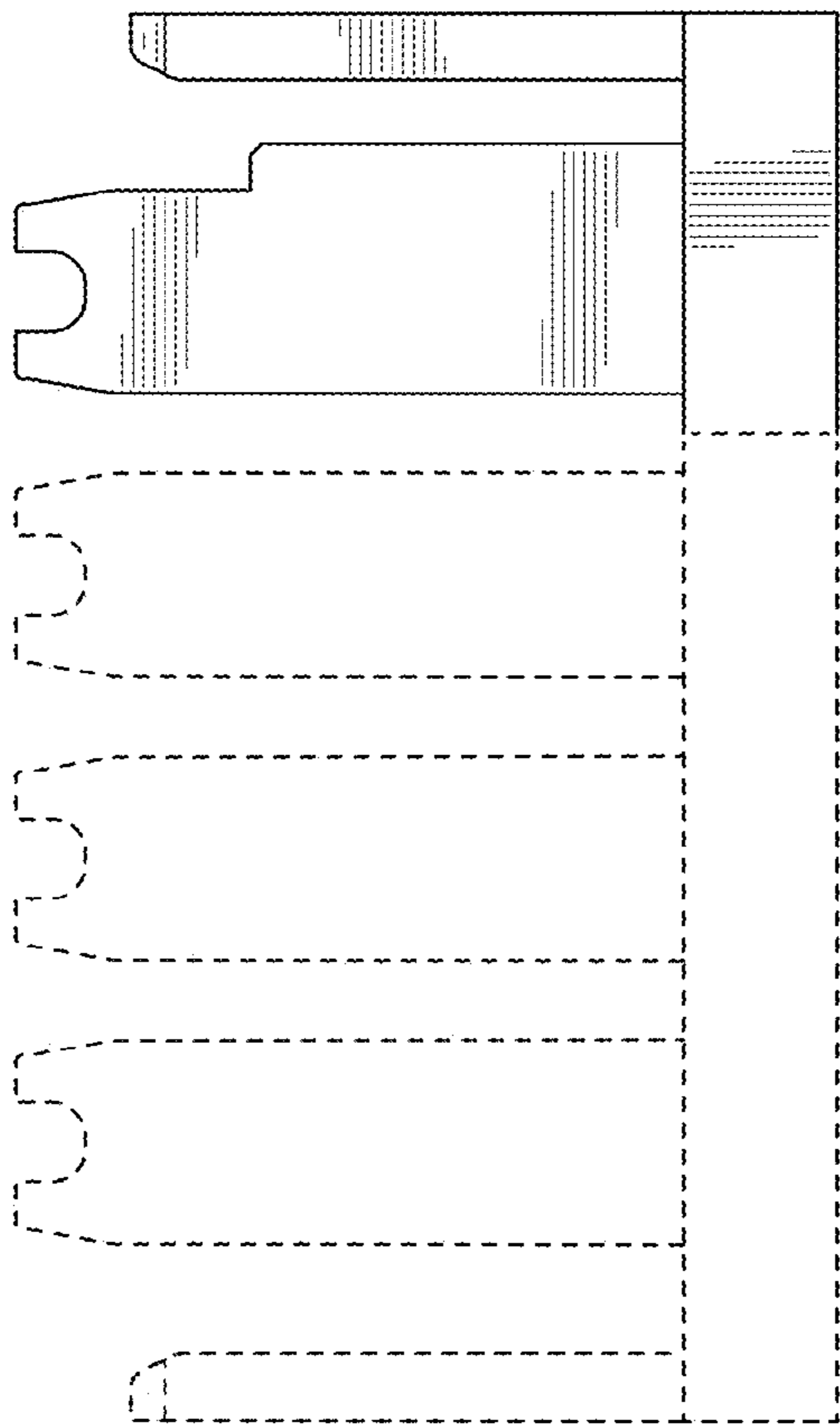


FIG. 48

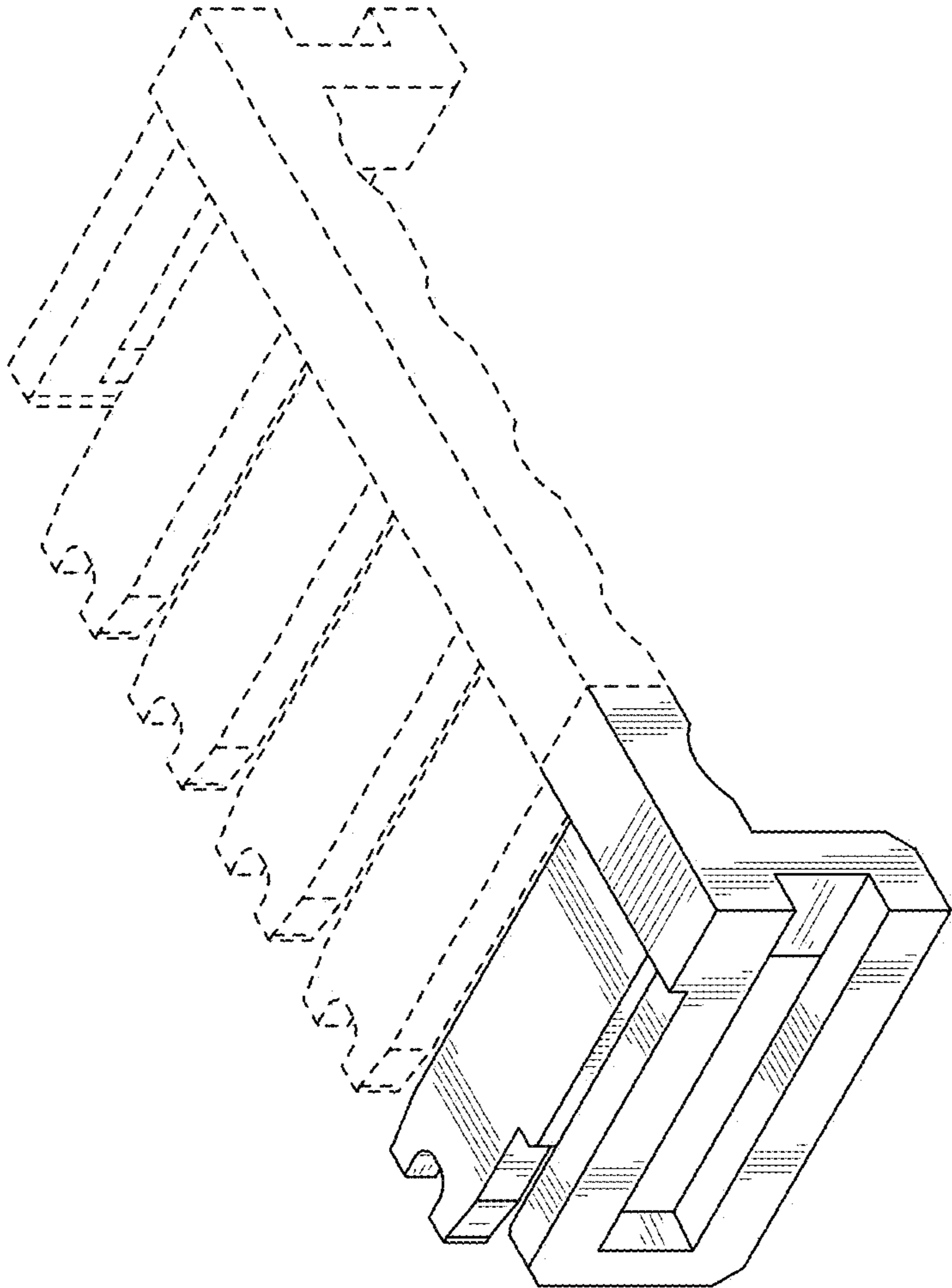


FIG. 49

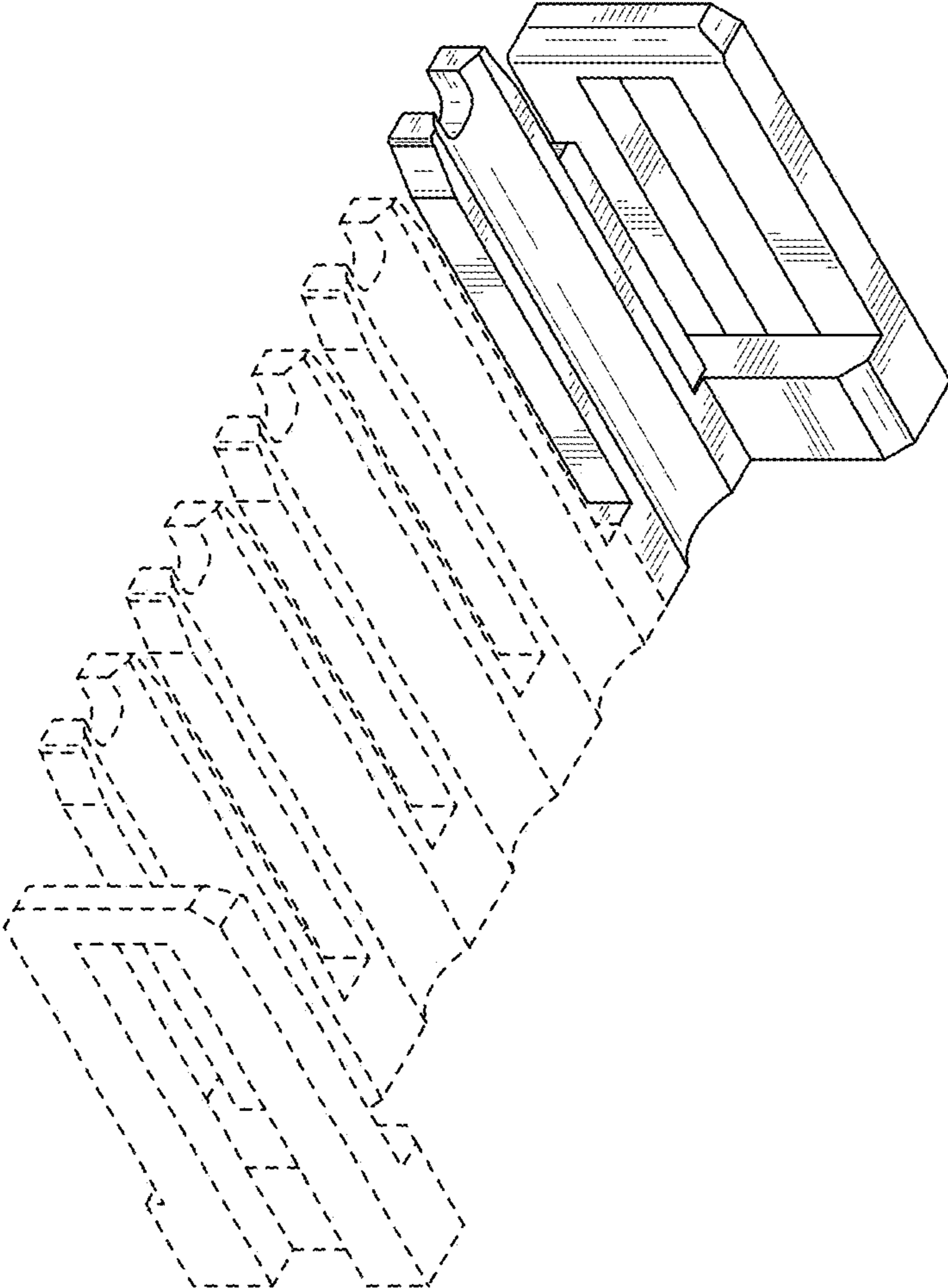


FIG. 50

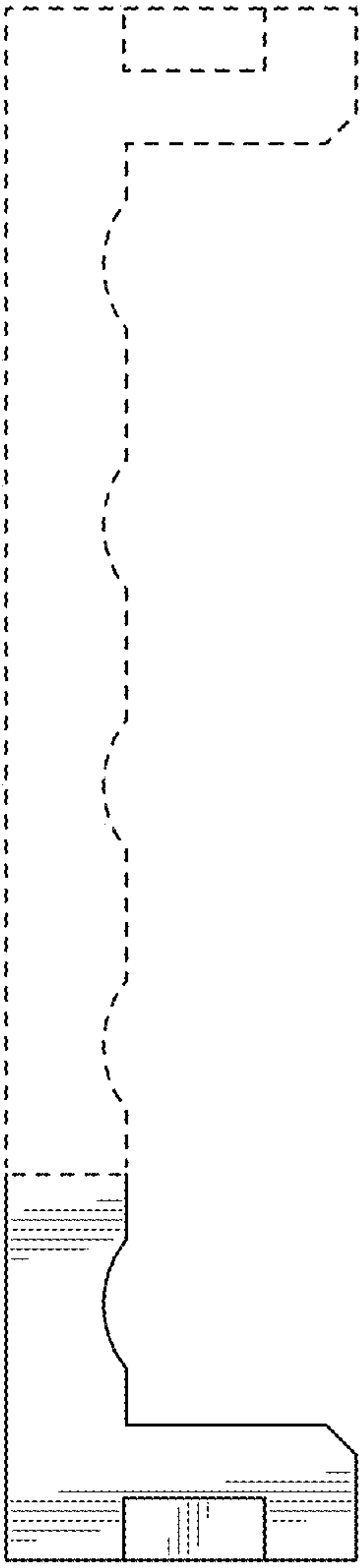


FIG. 51

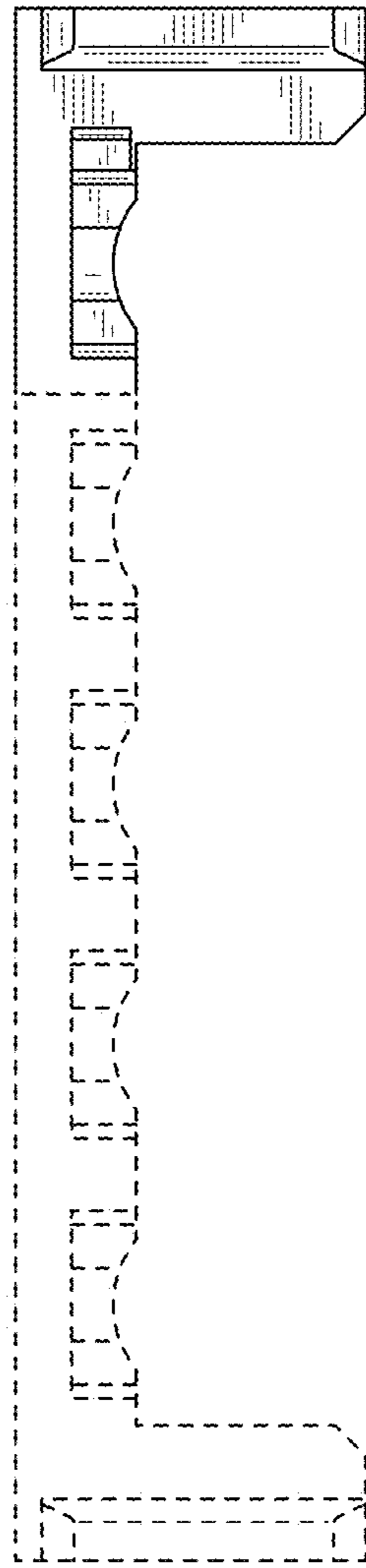


FIG. 52

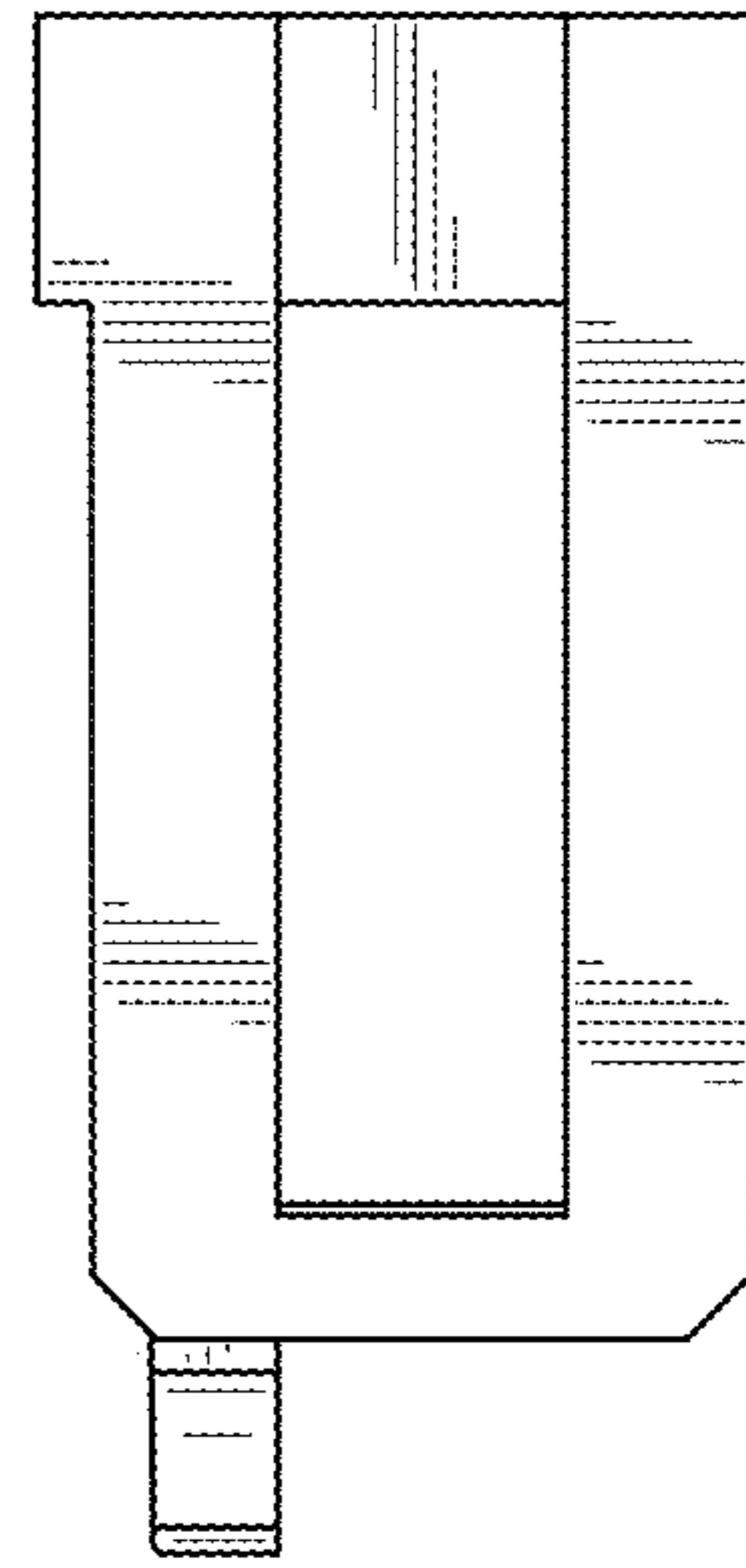


FIG. 53

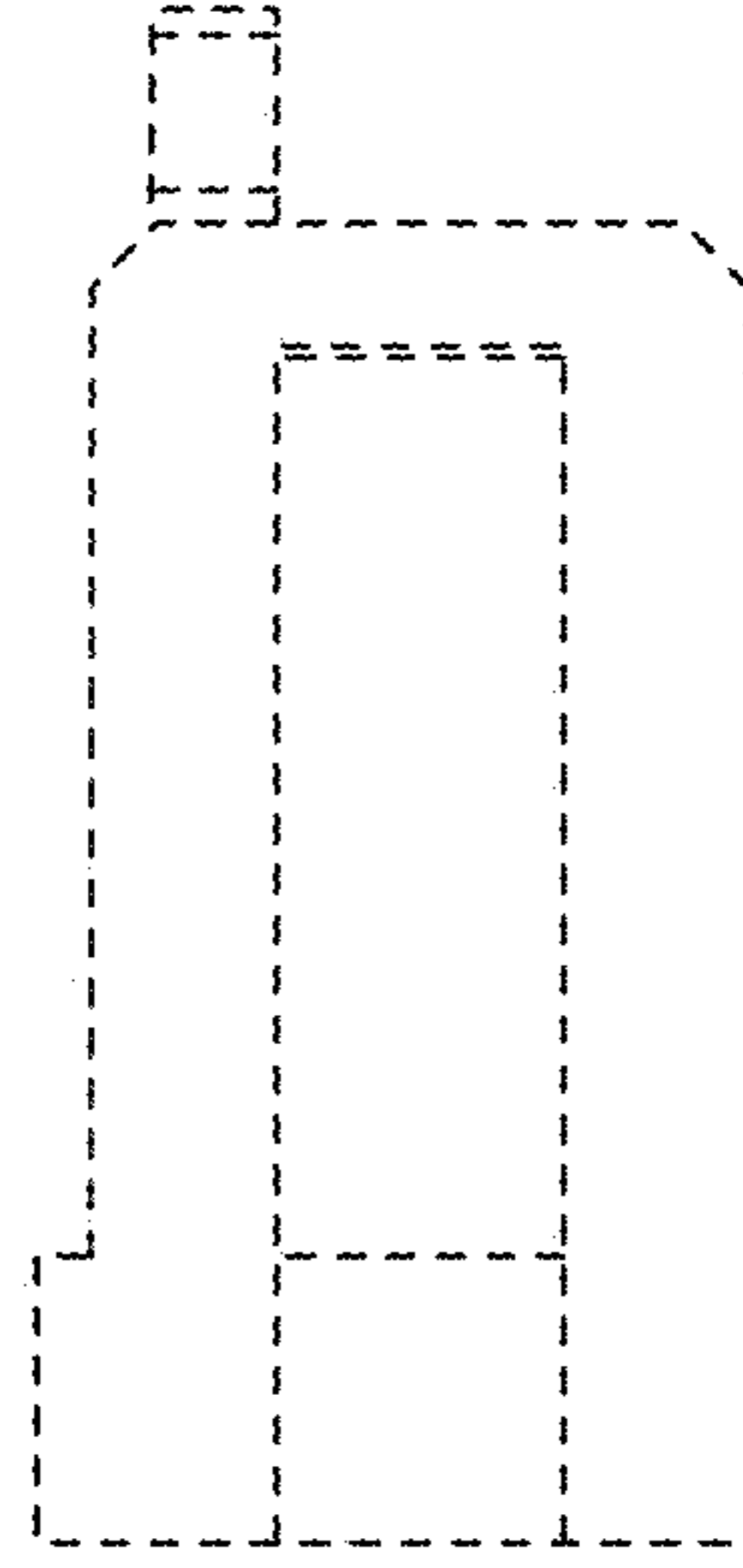
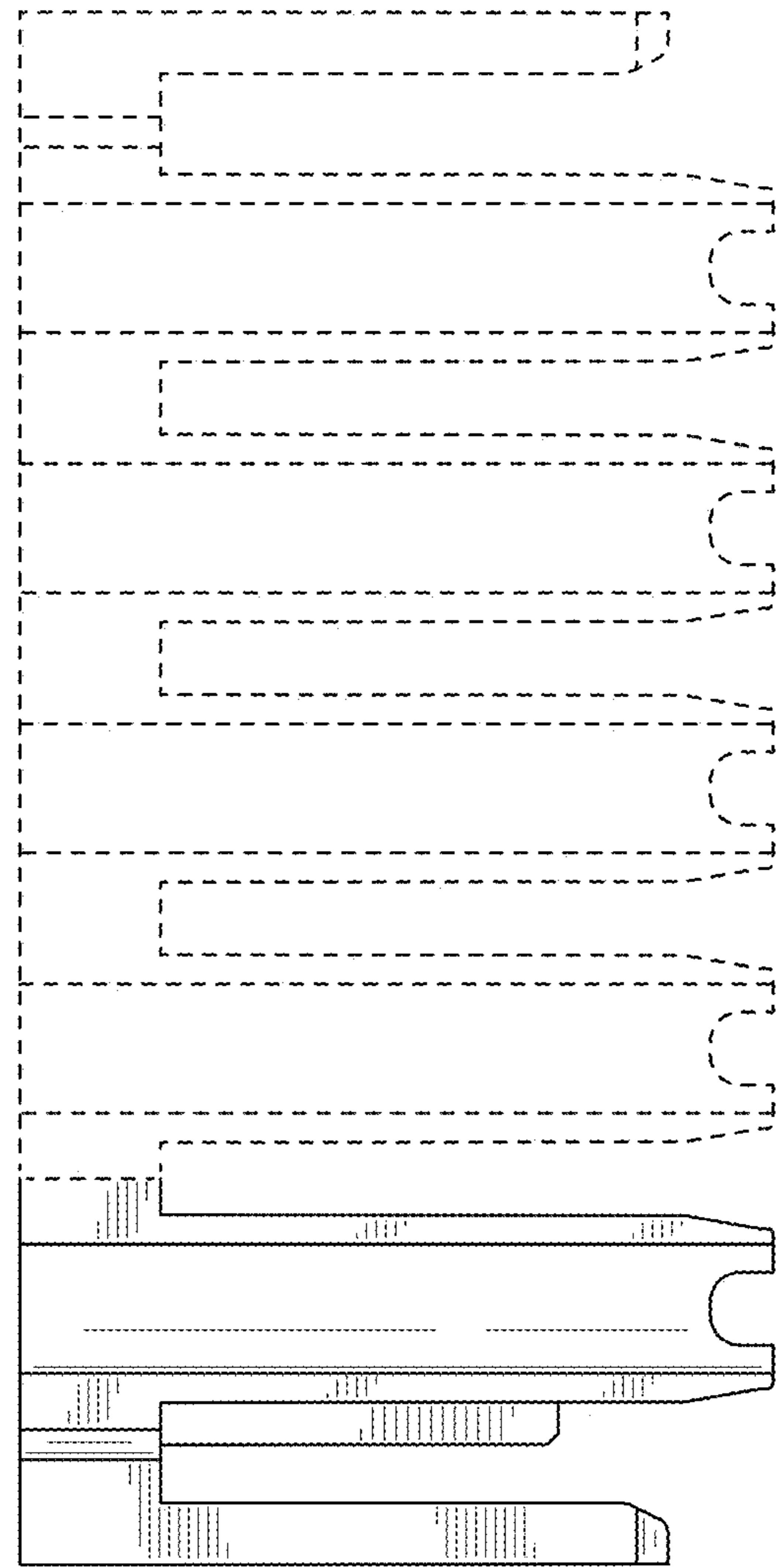
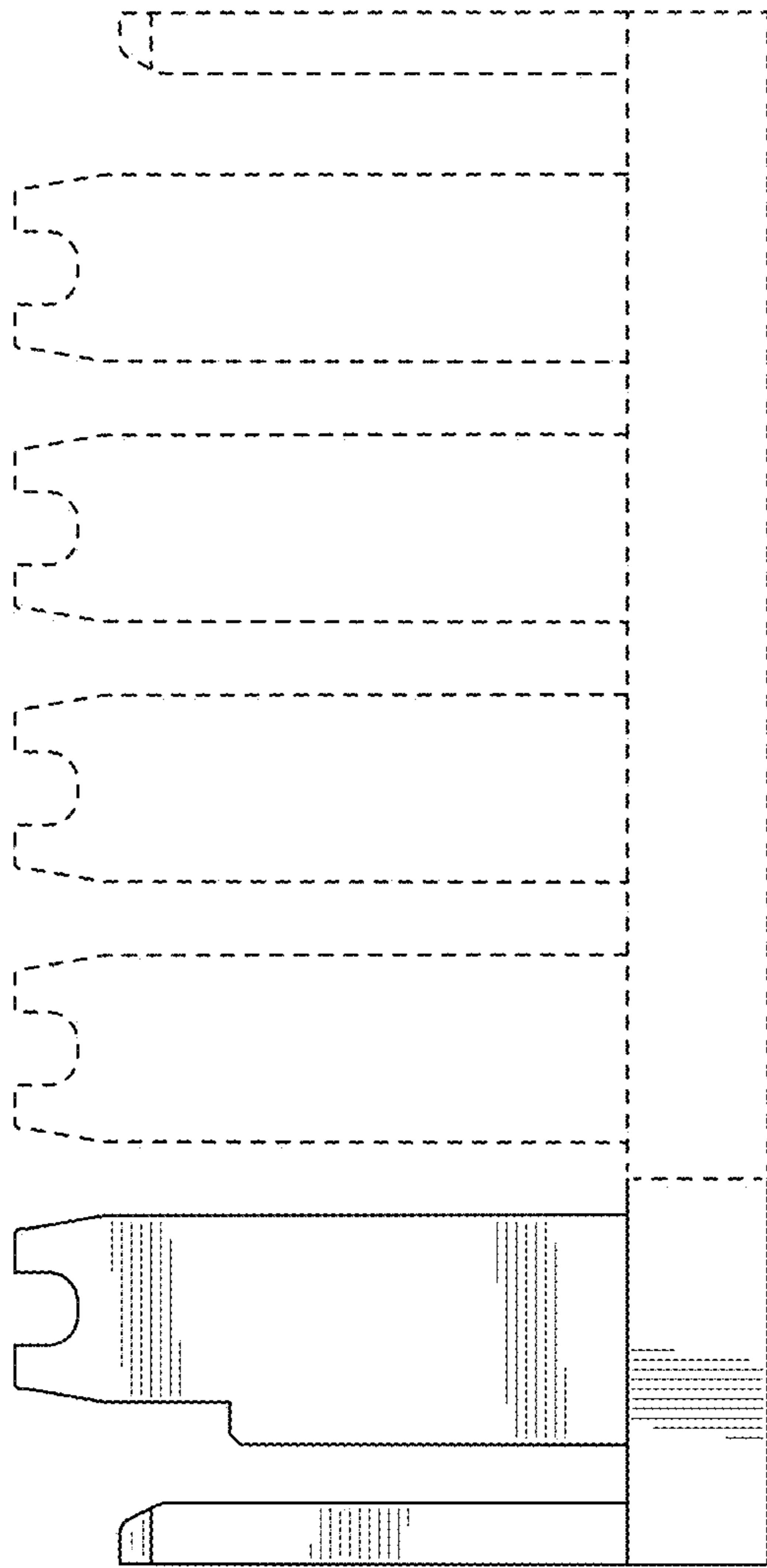


FIG. 54





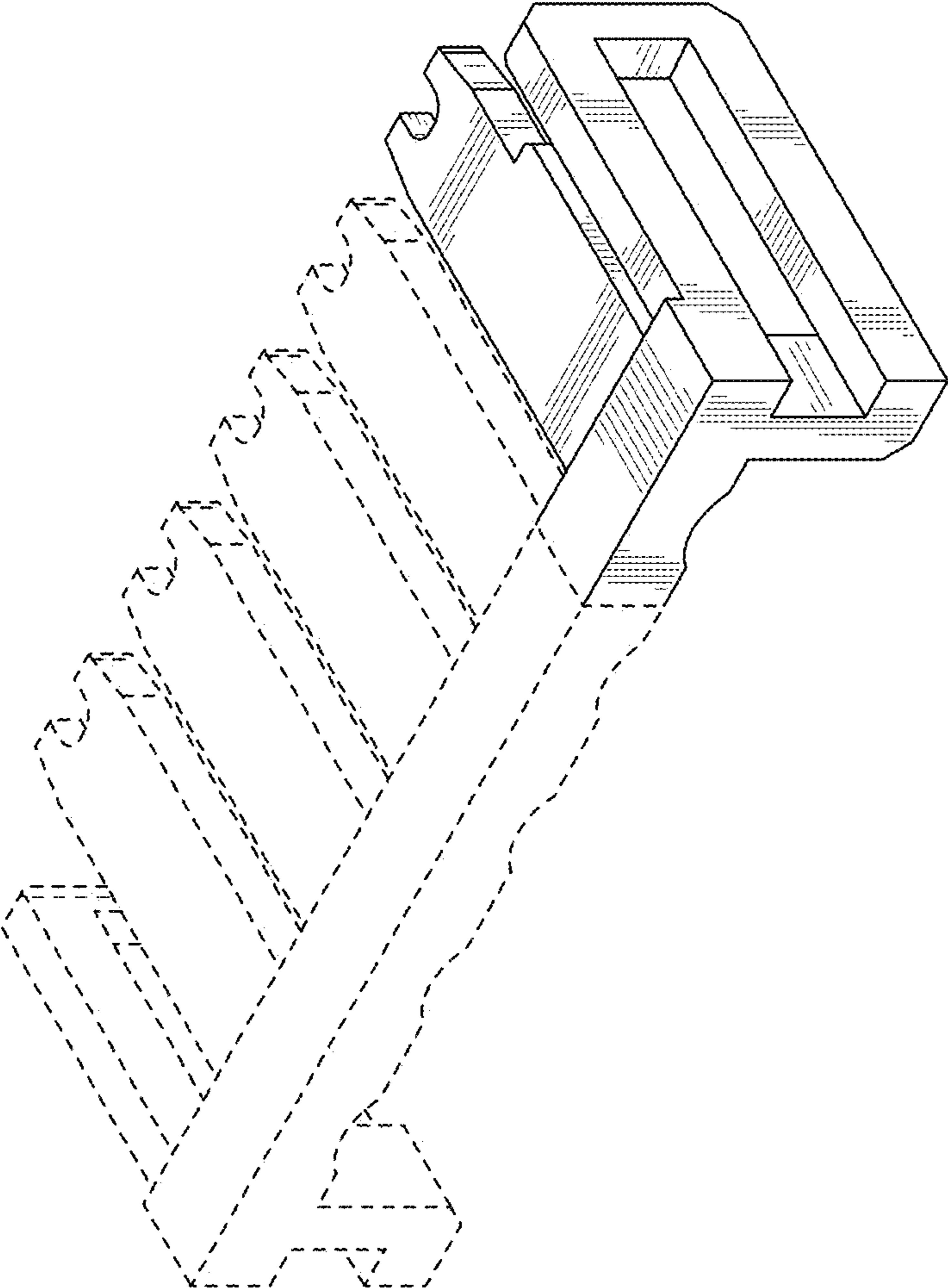


FIG. 57

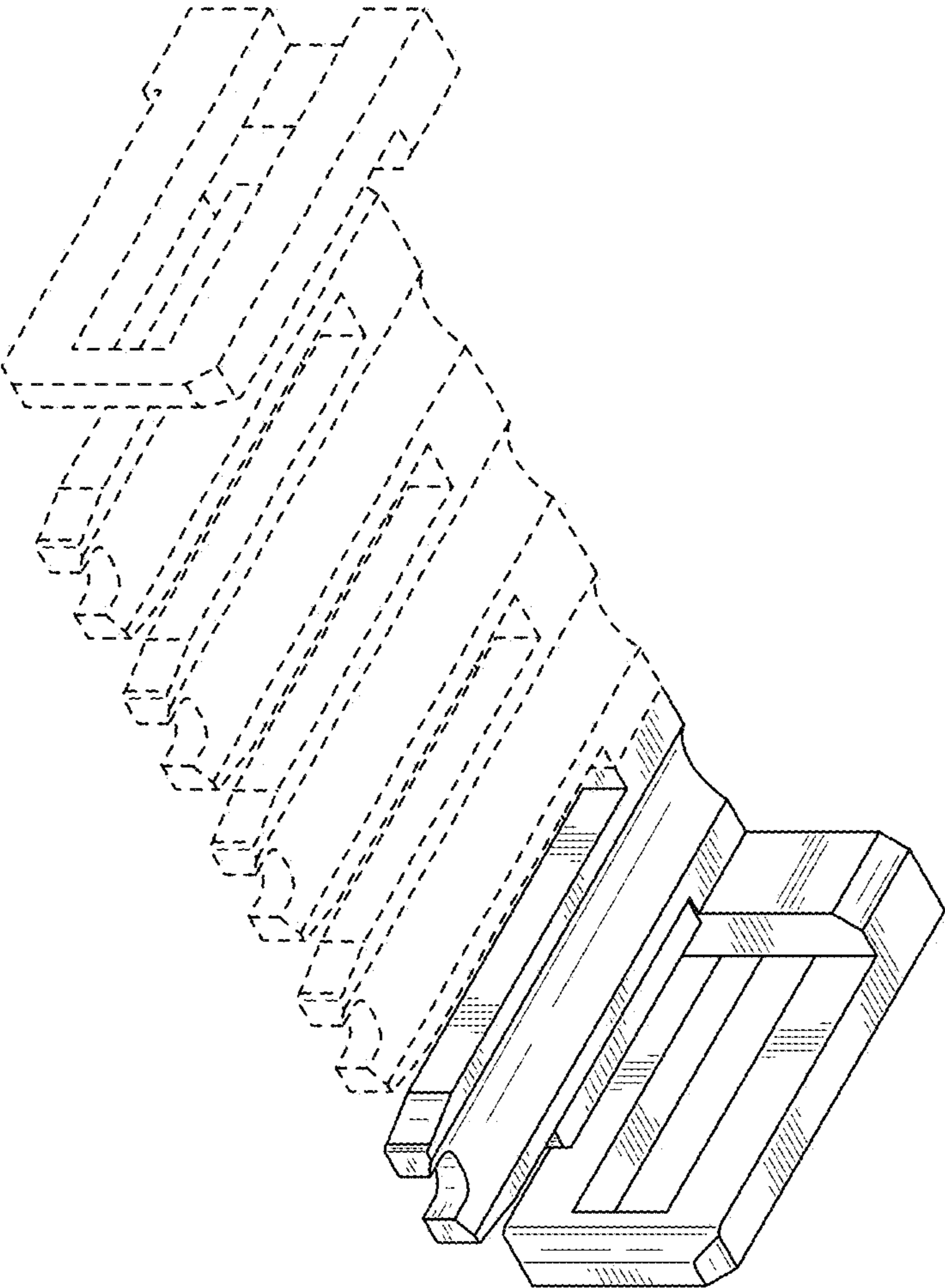


FIG. 58

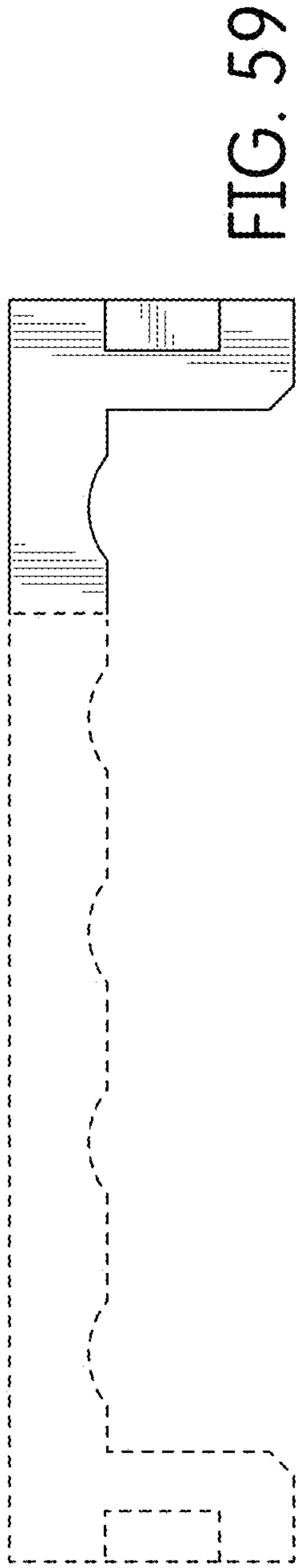


FIG. 59

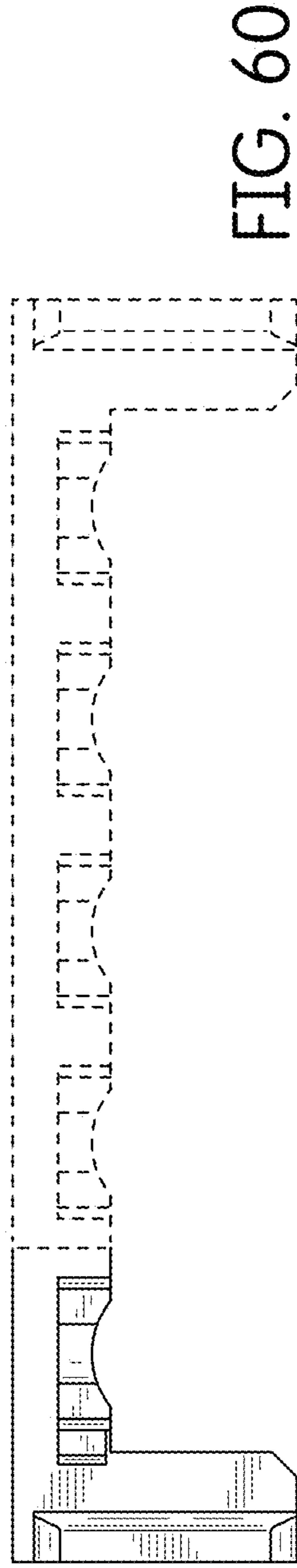


FIG. 60

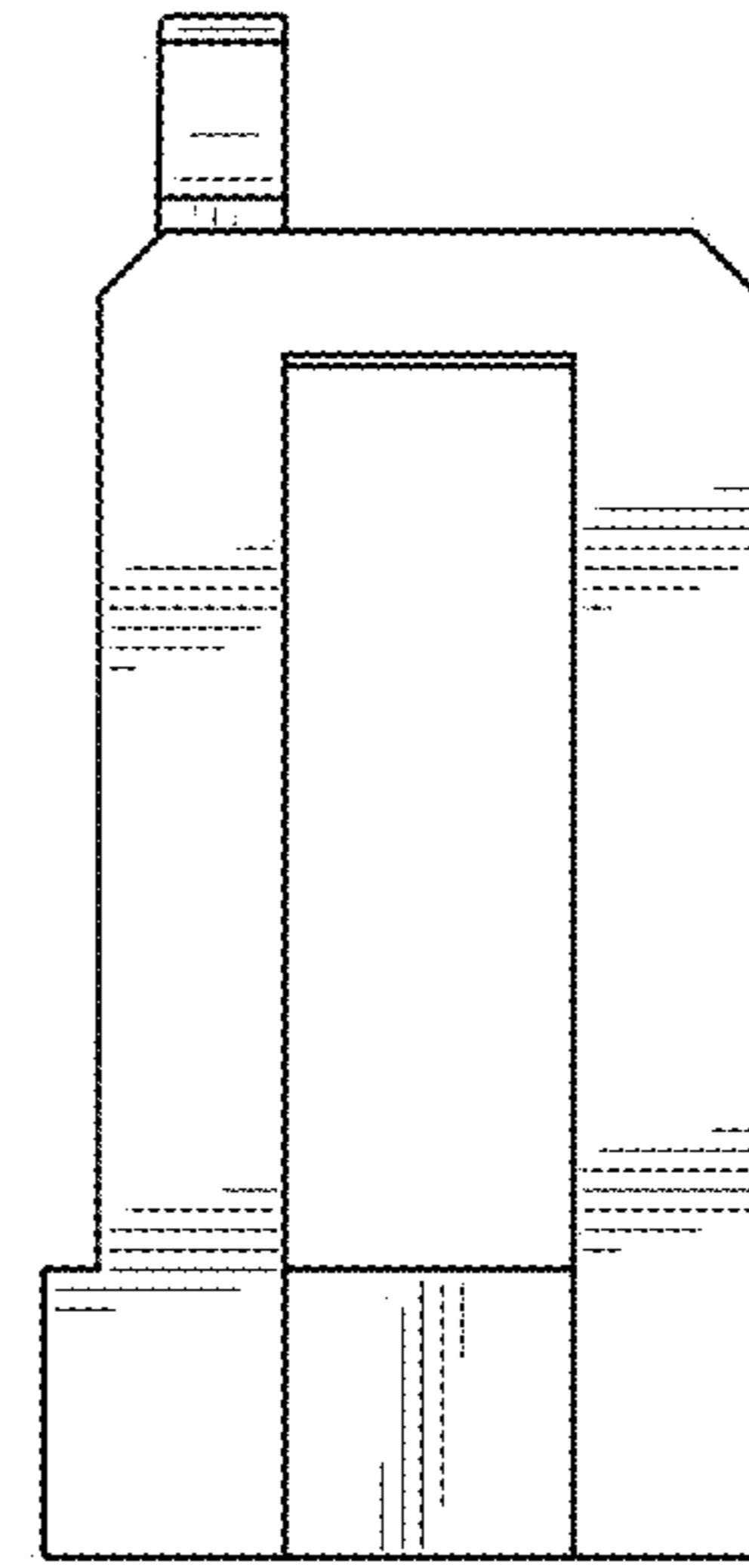


FIG. 61

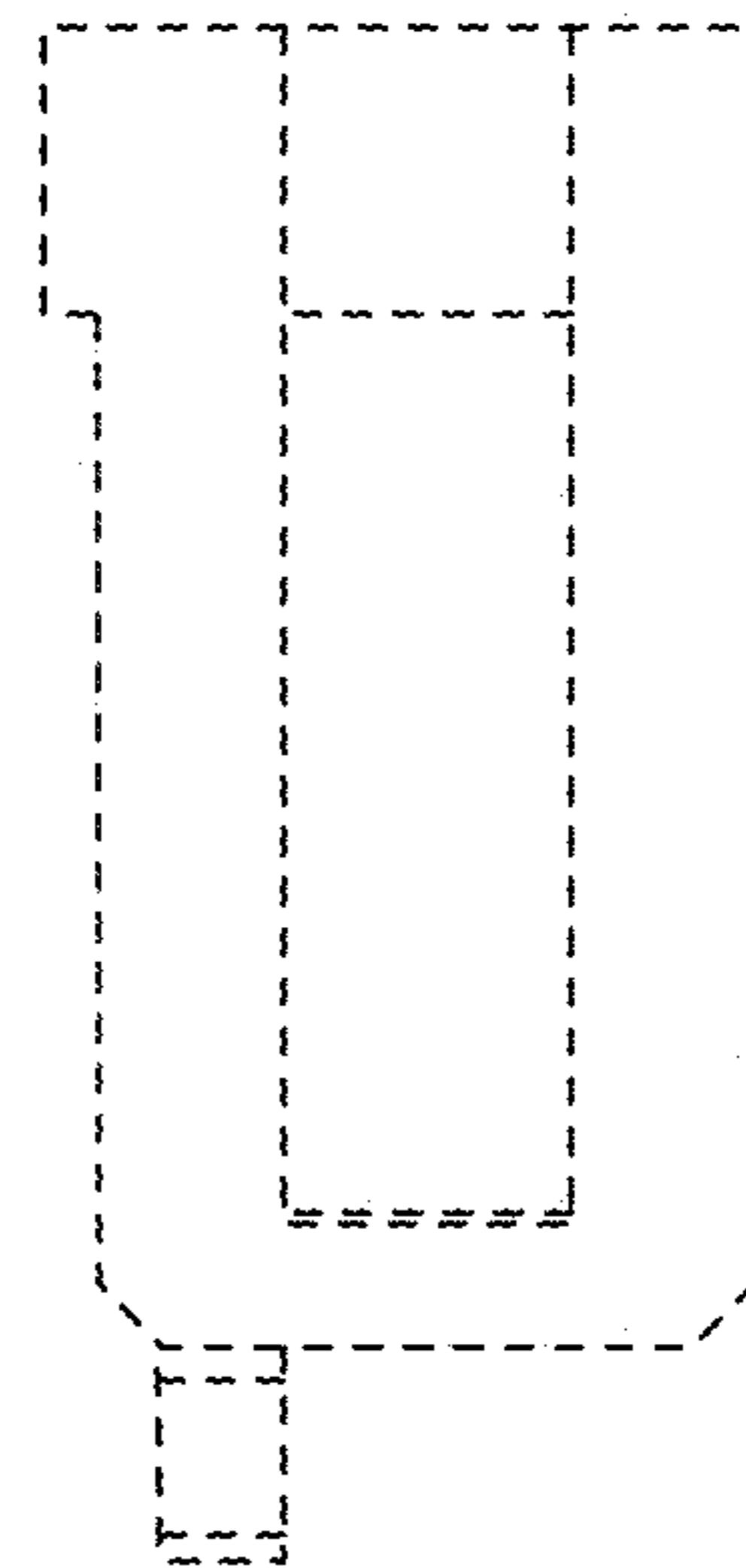
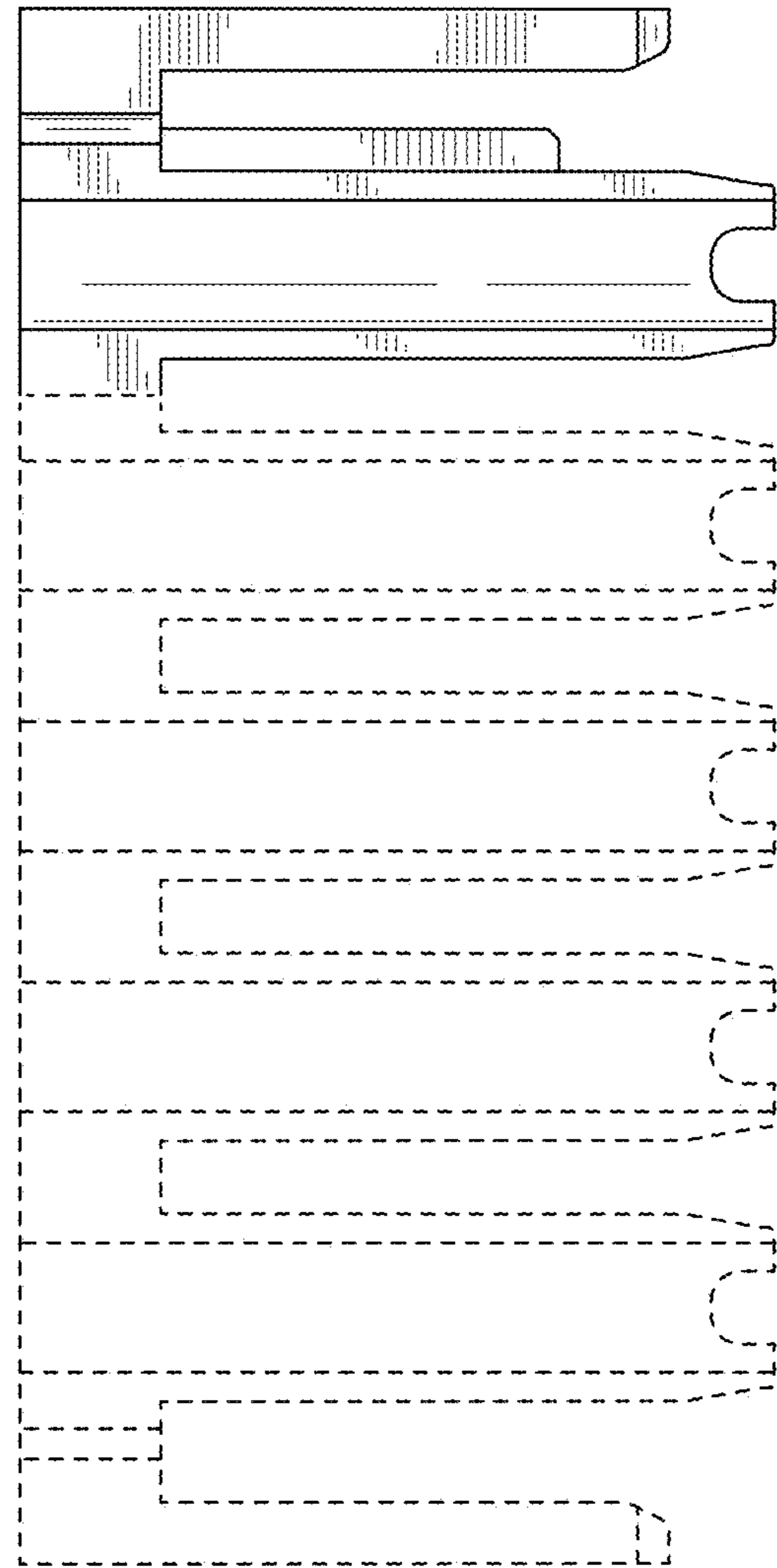
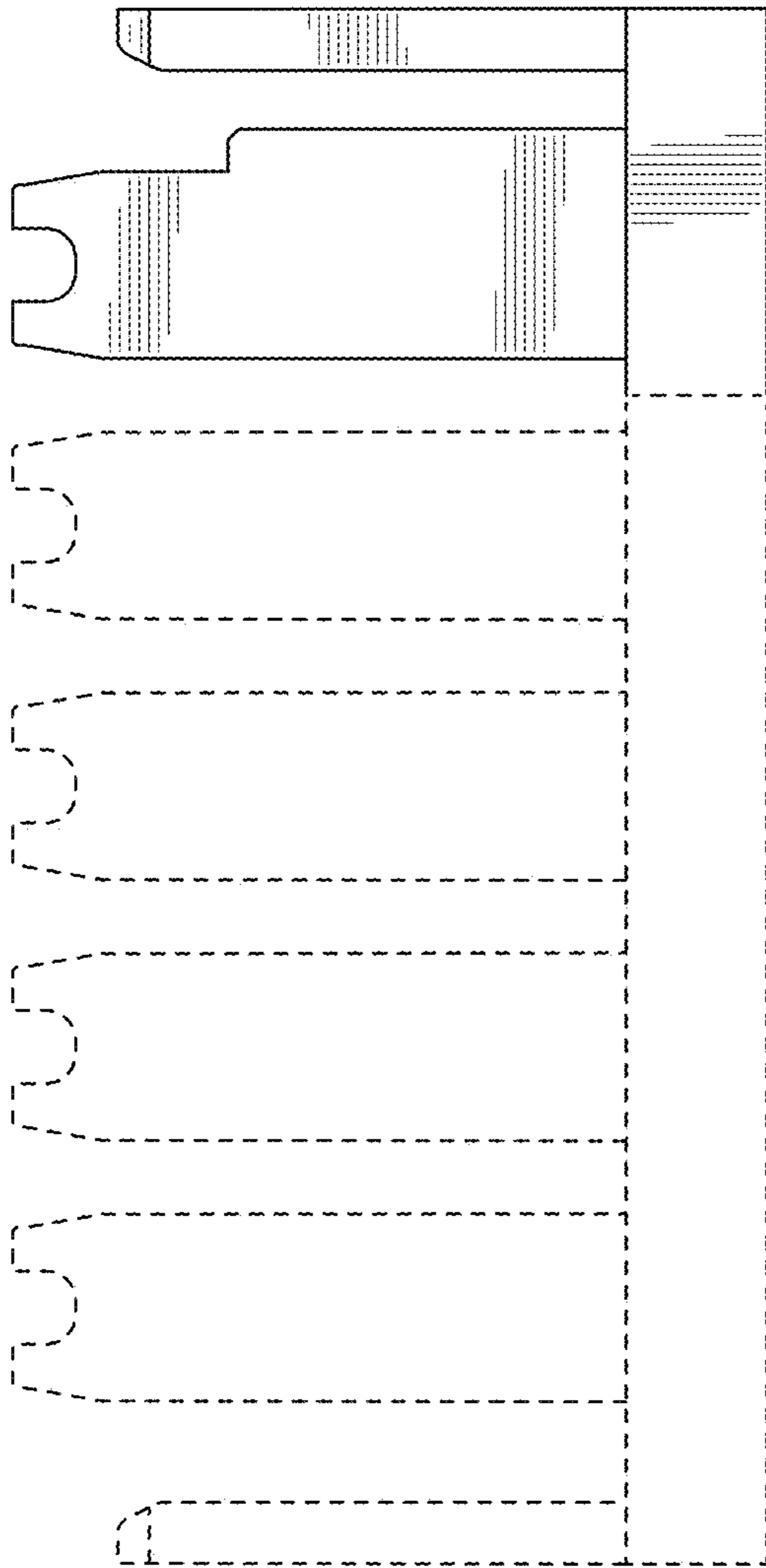


FIG. 62





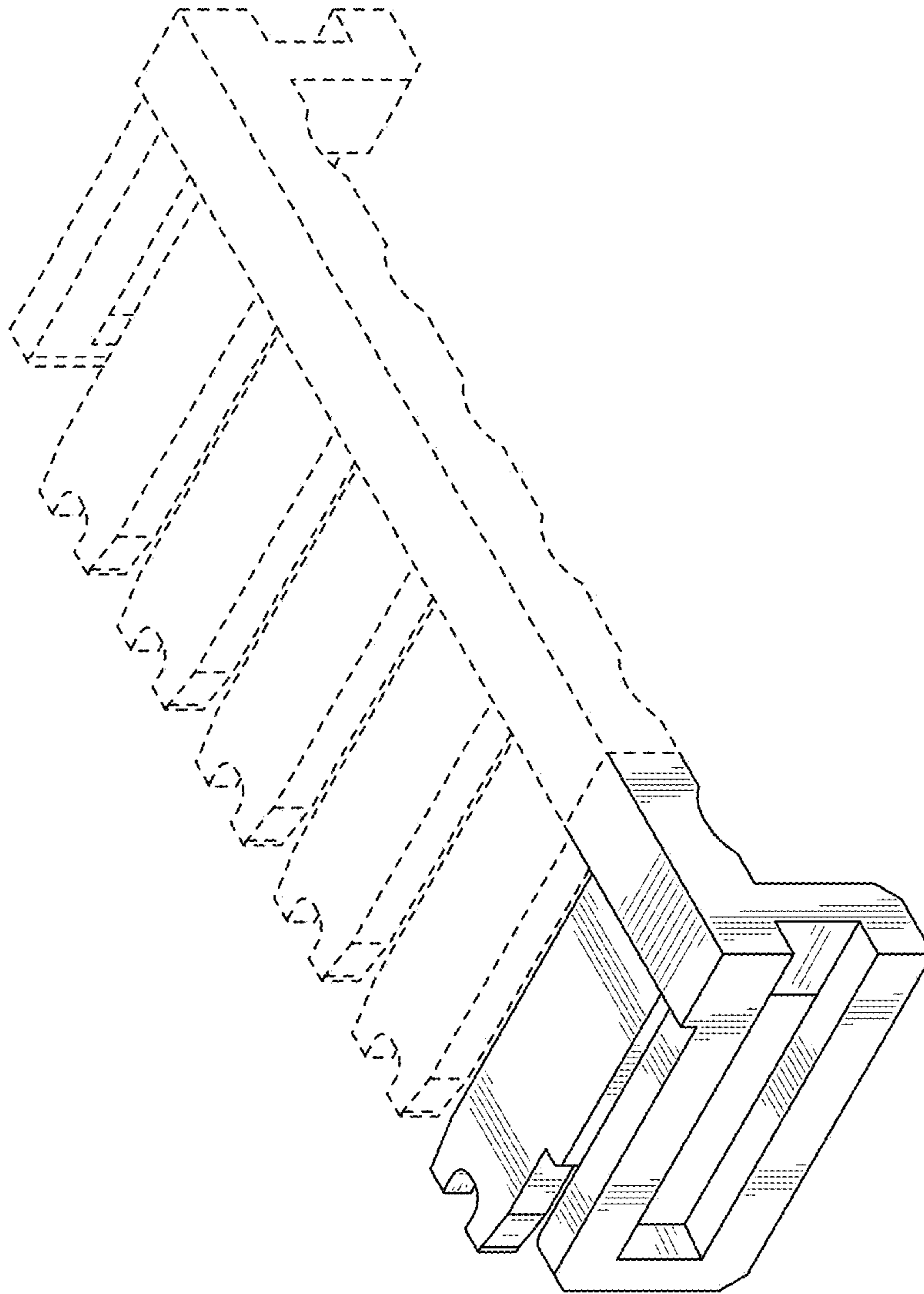


FIG. 65

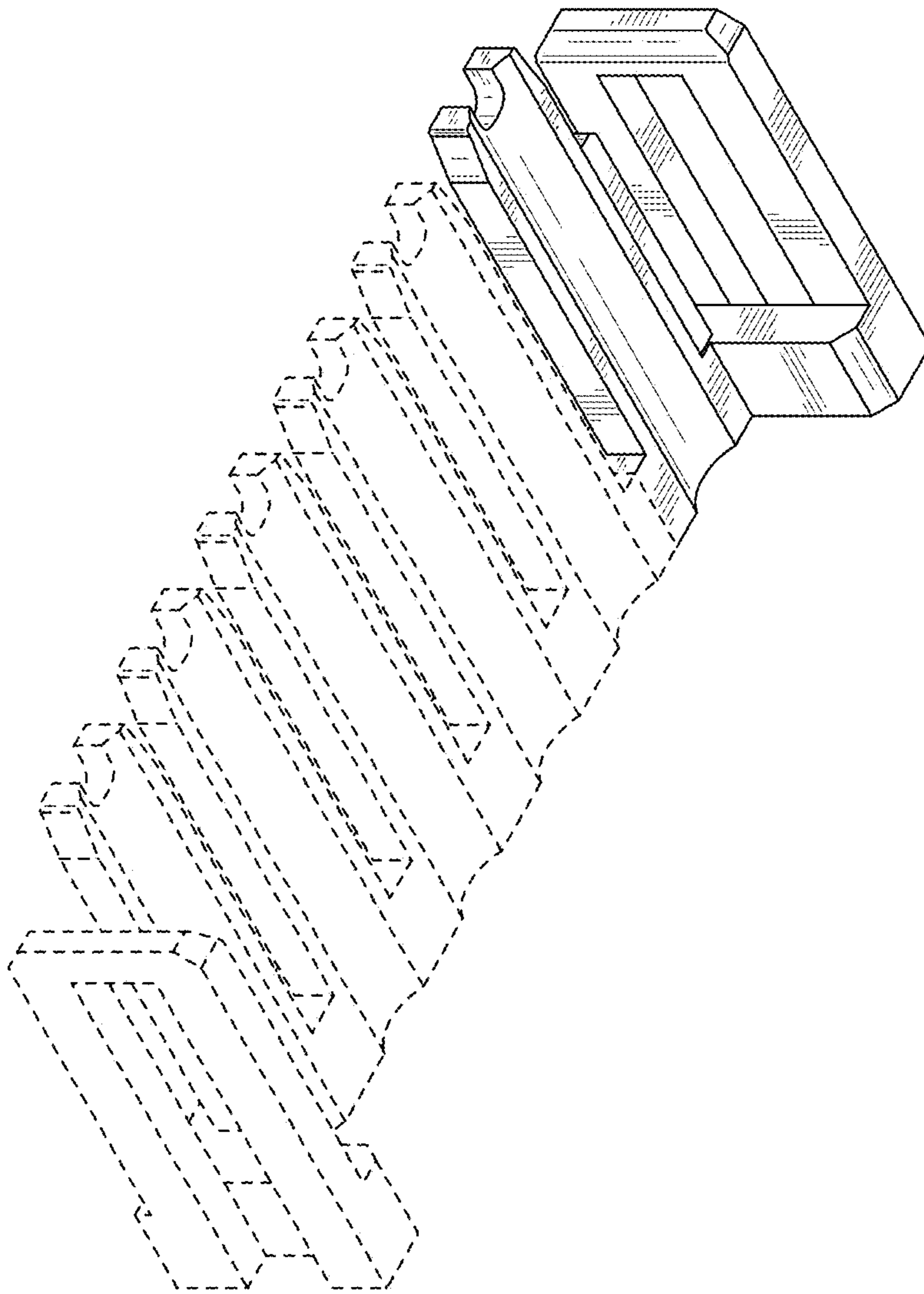


FIG. 66

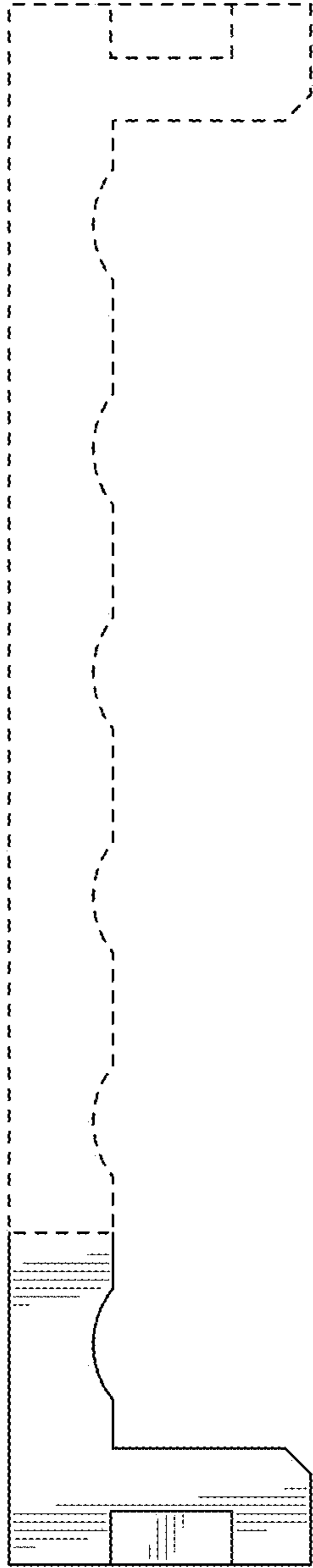


FIG. 67

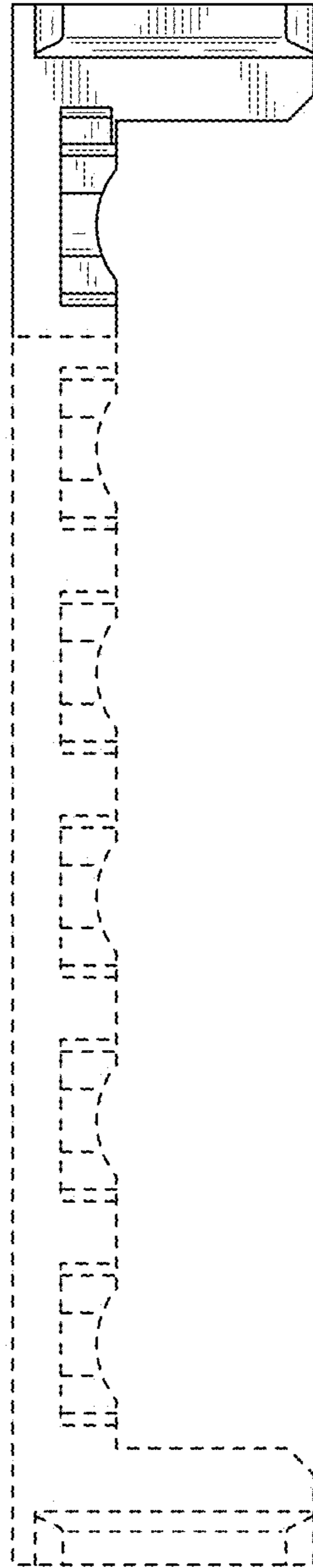


FIG. 68

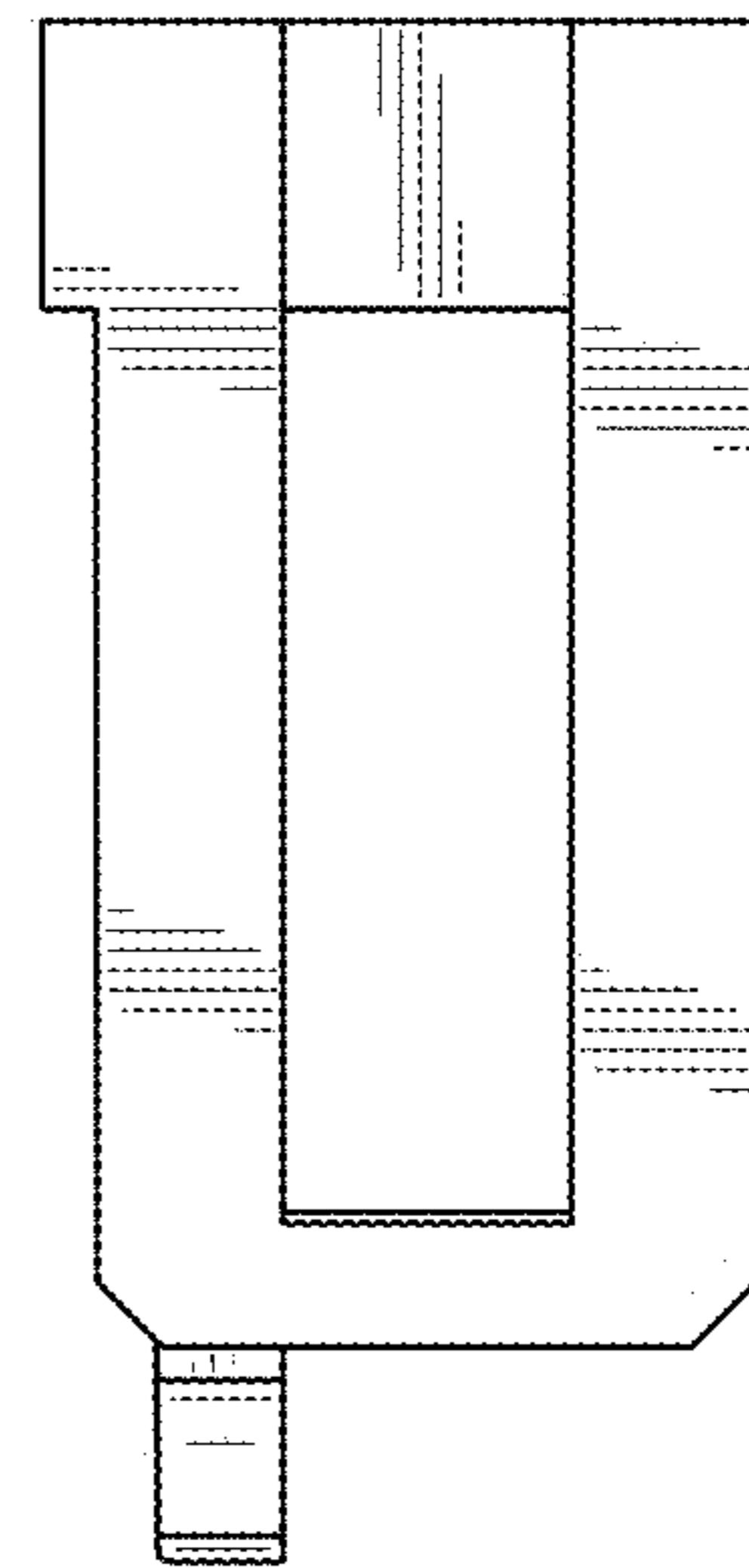


FIG. 69

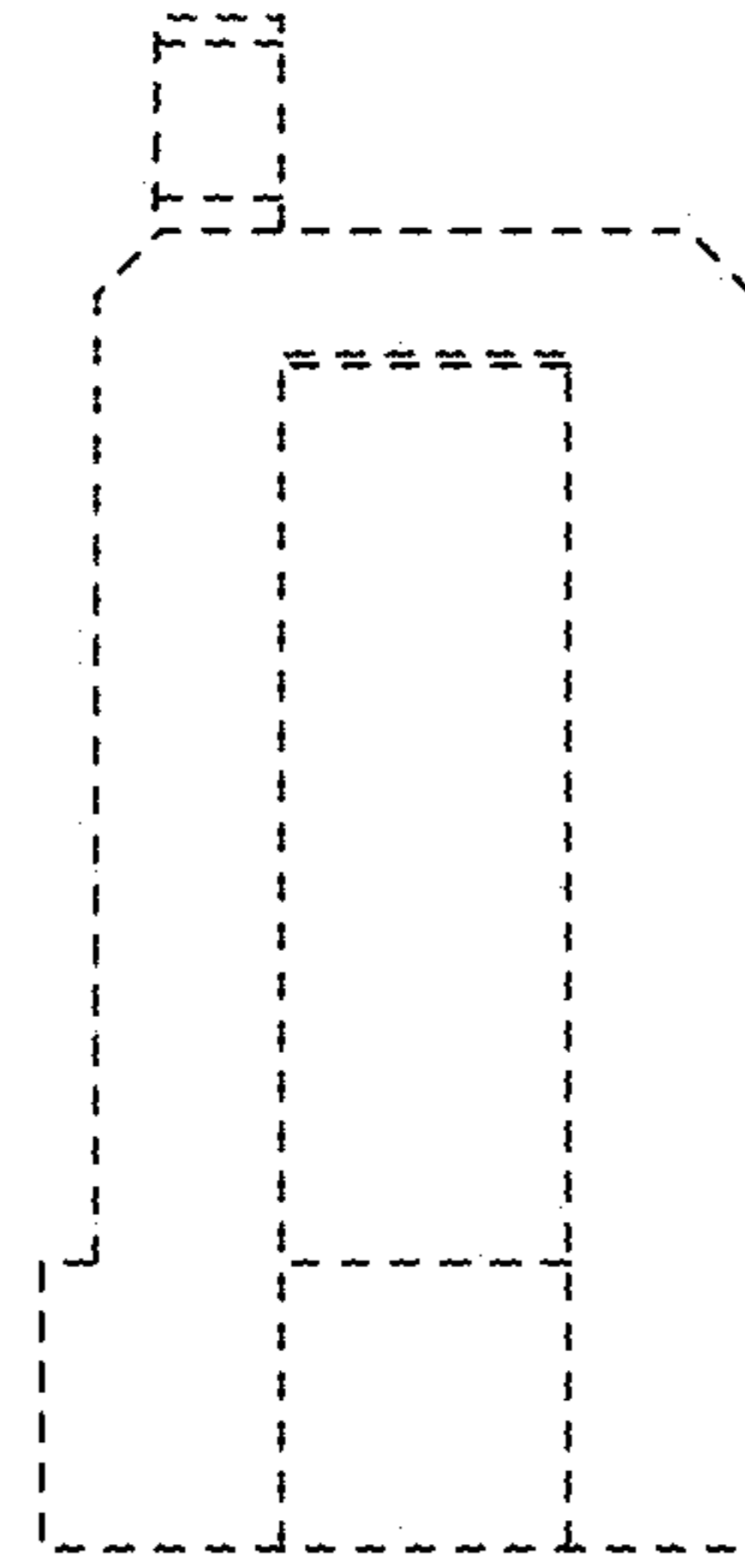


FIG. 70

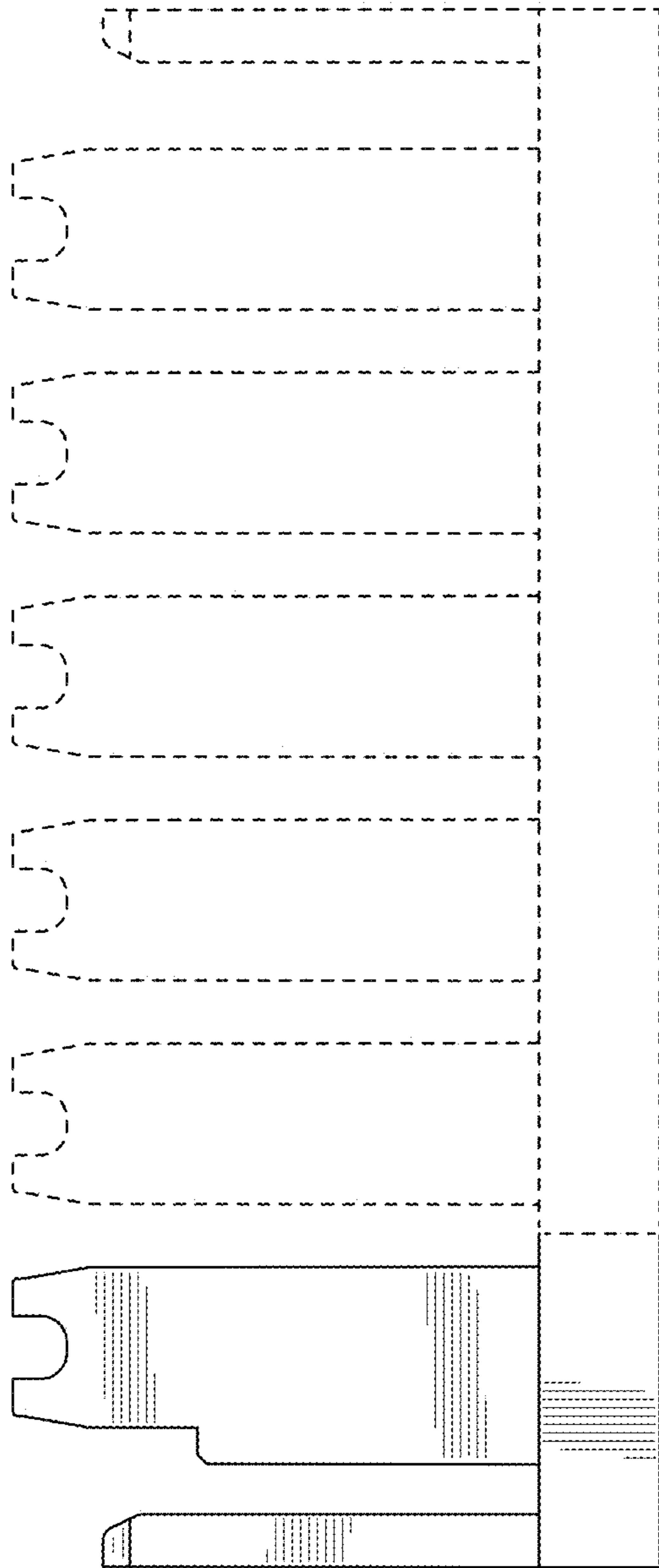


FIG. 71

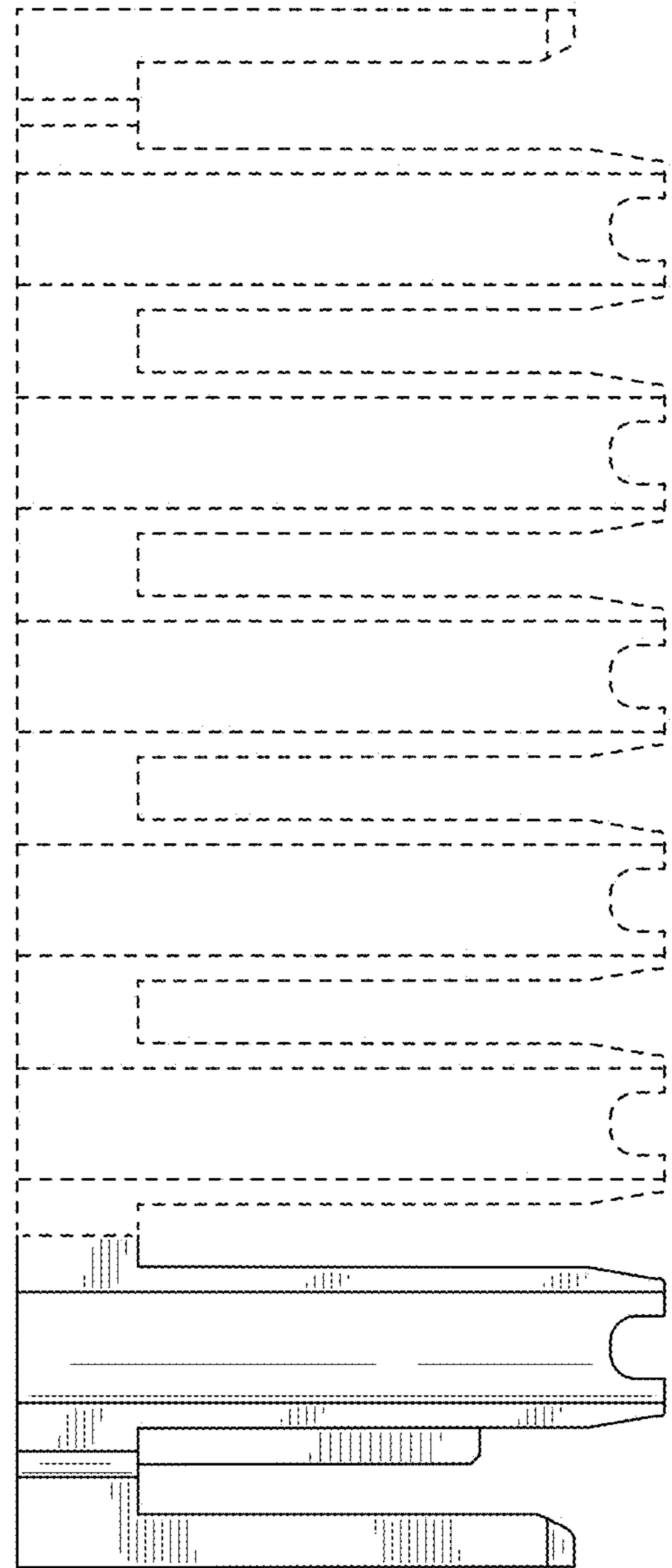


FIG. 72

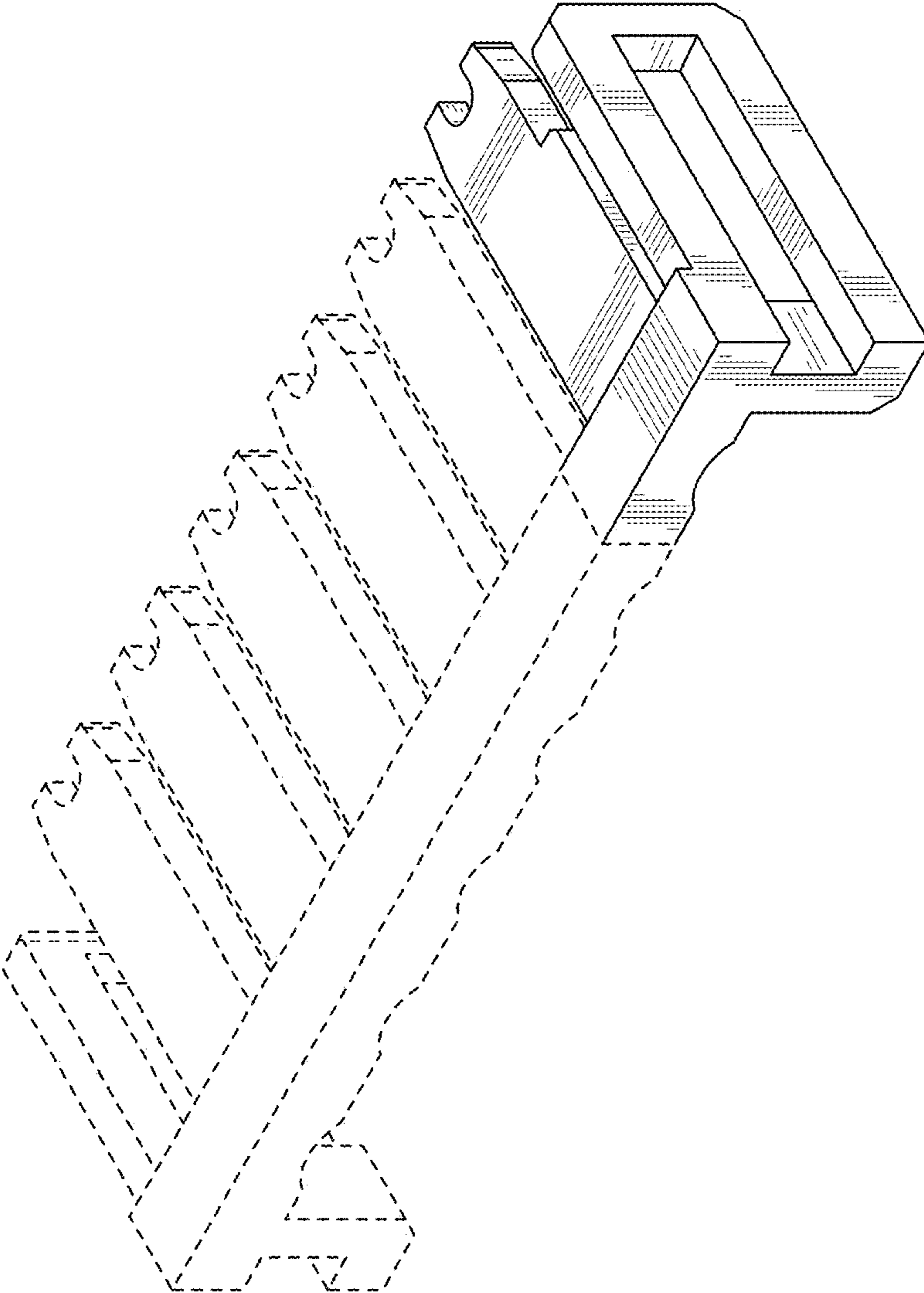


FIG. 73



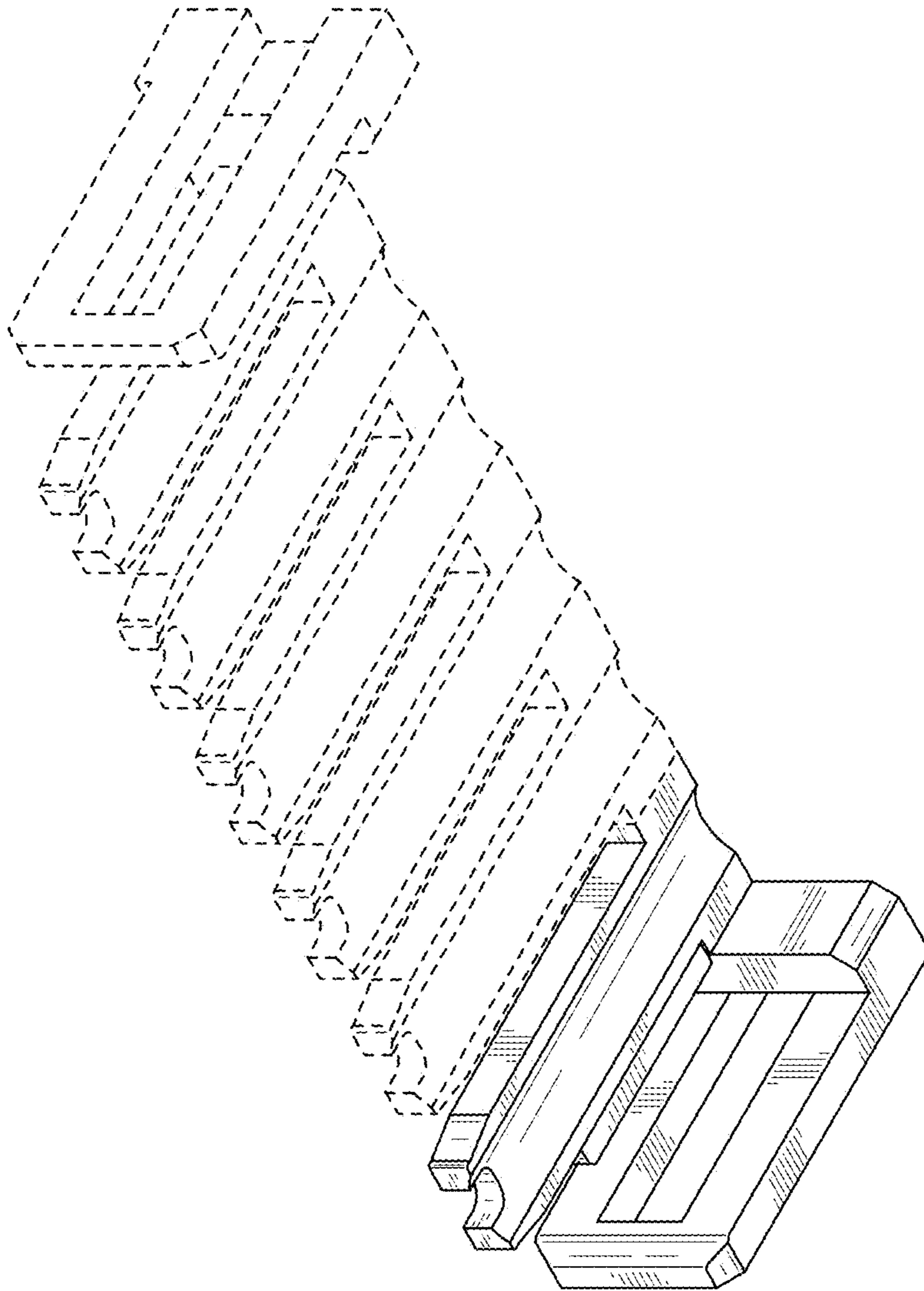


FIG. 74

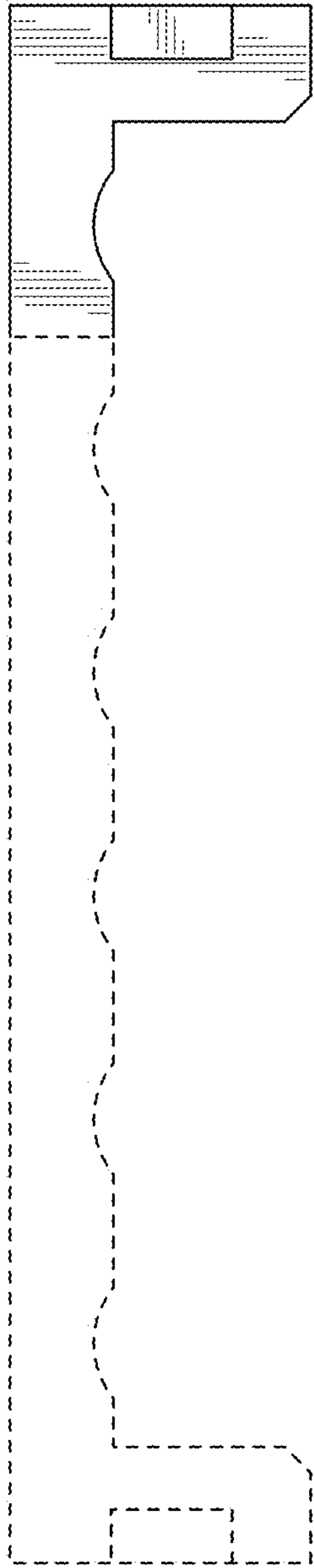


FIG. 75

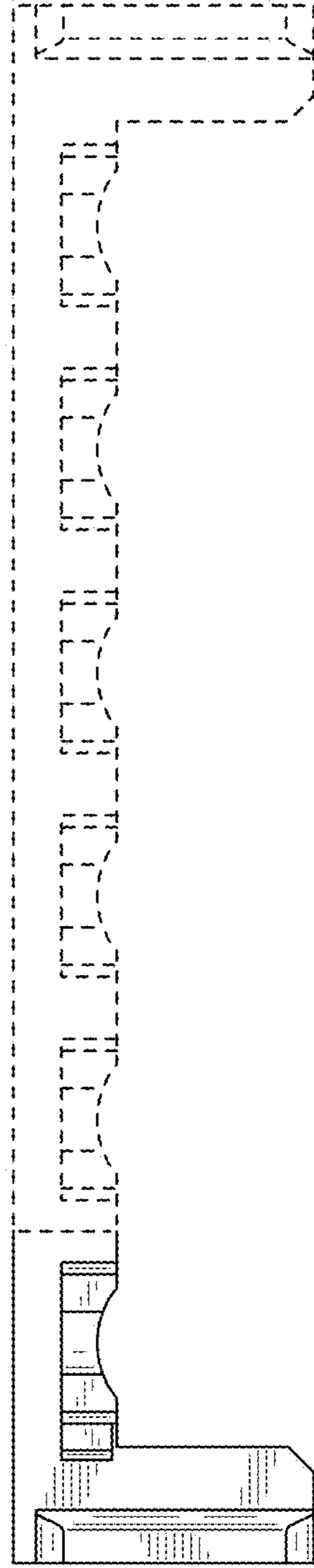


FIG. 76

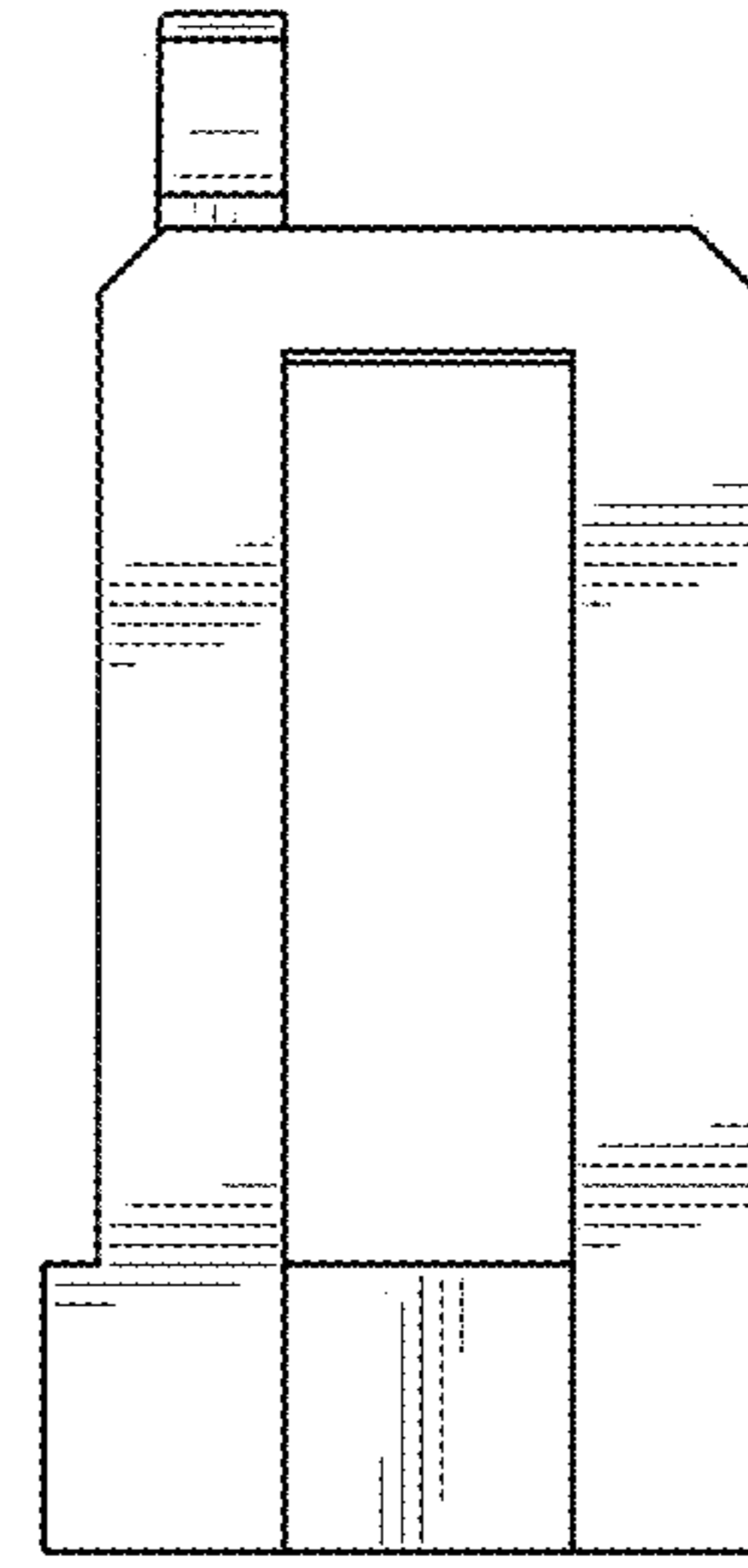


FIG. 78

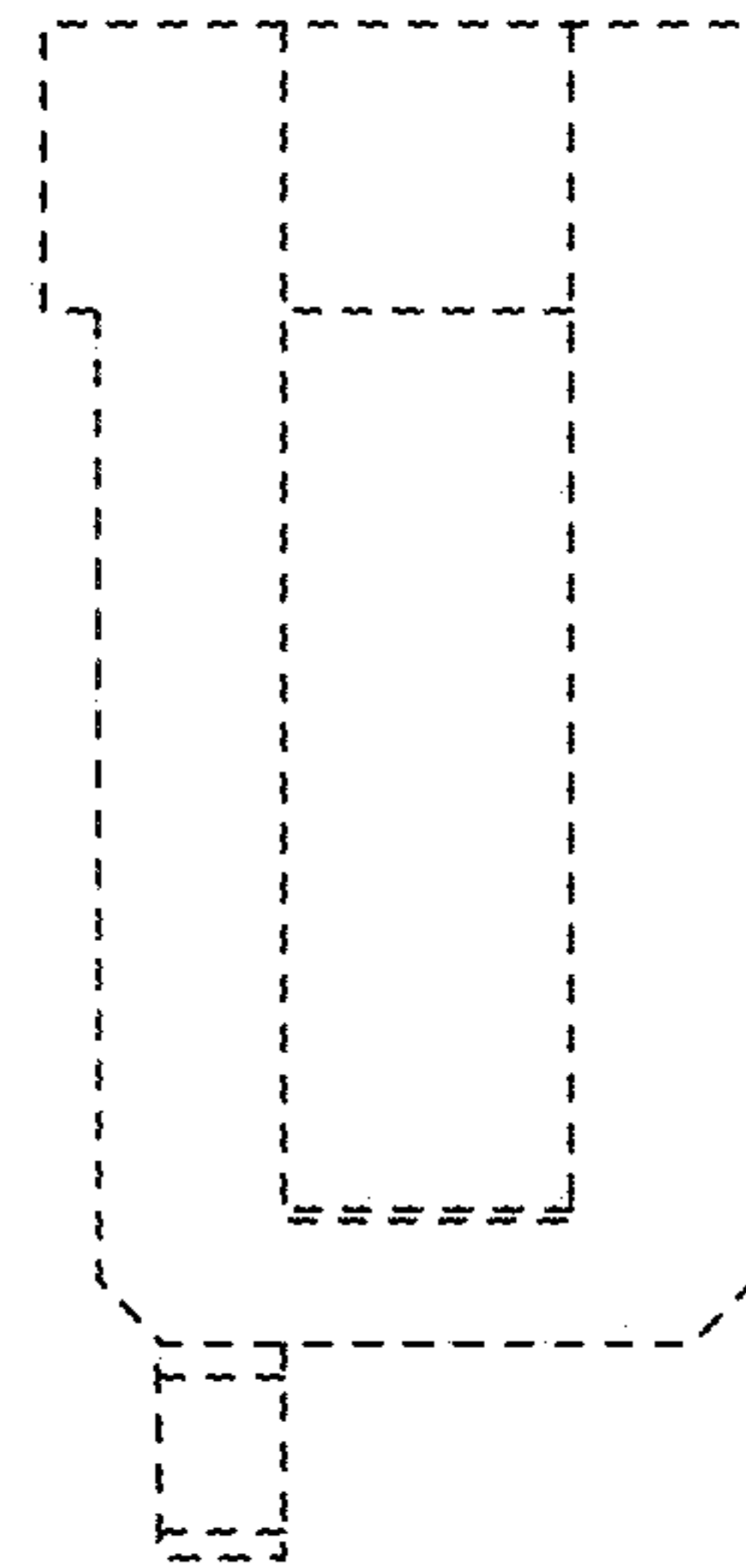
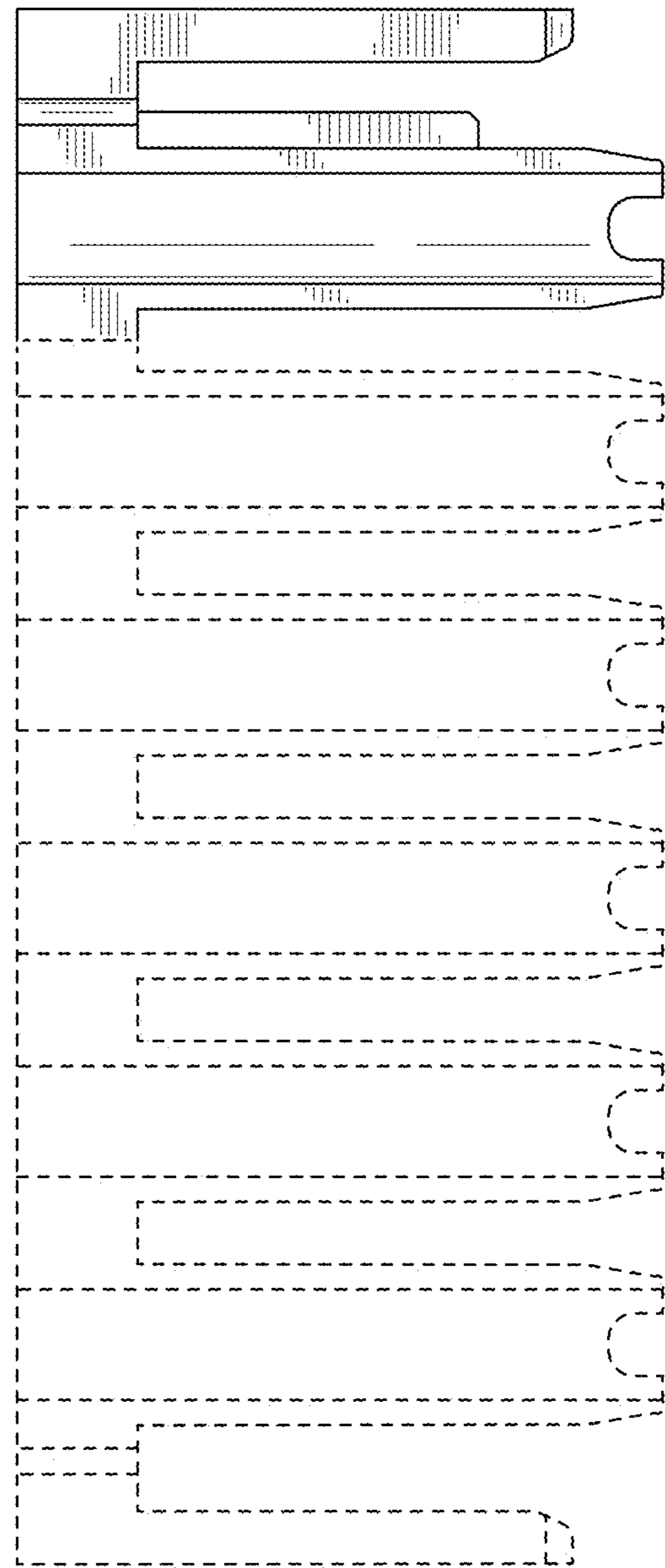
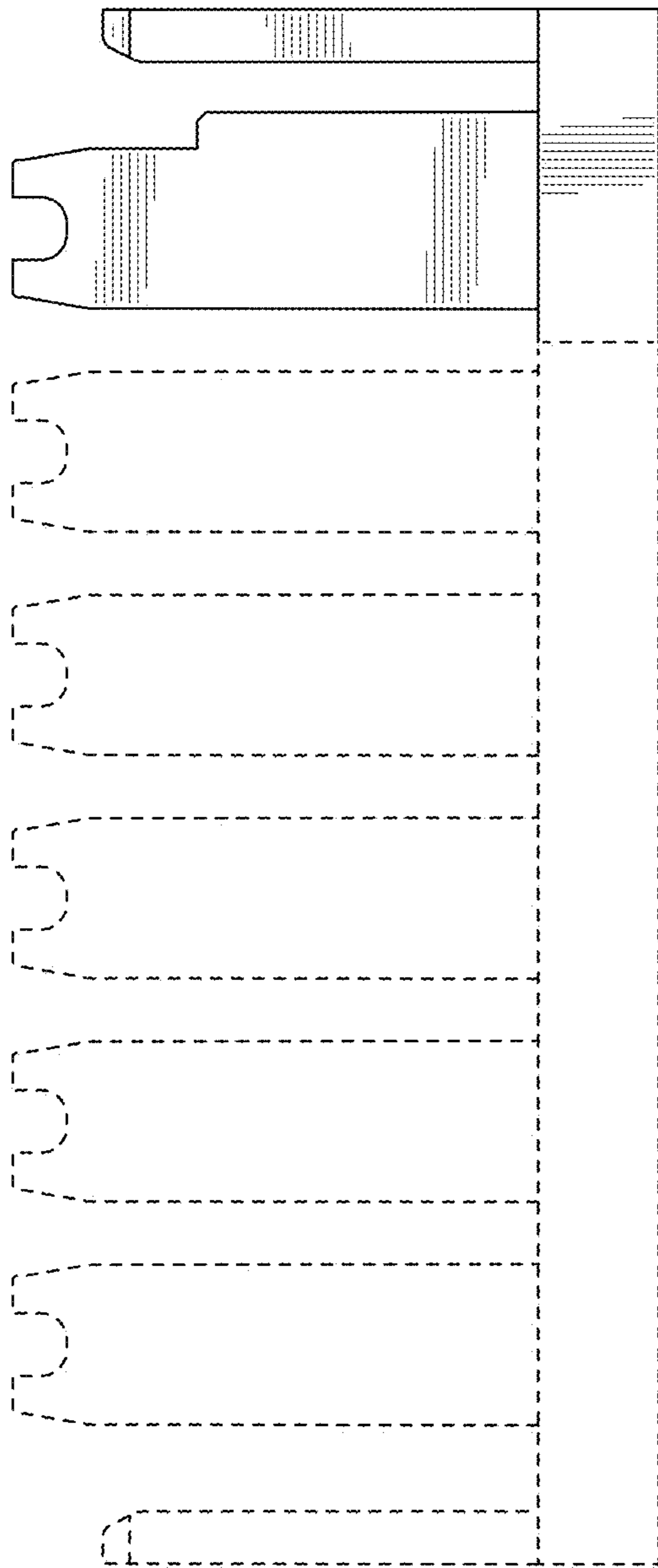


FIG. 77



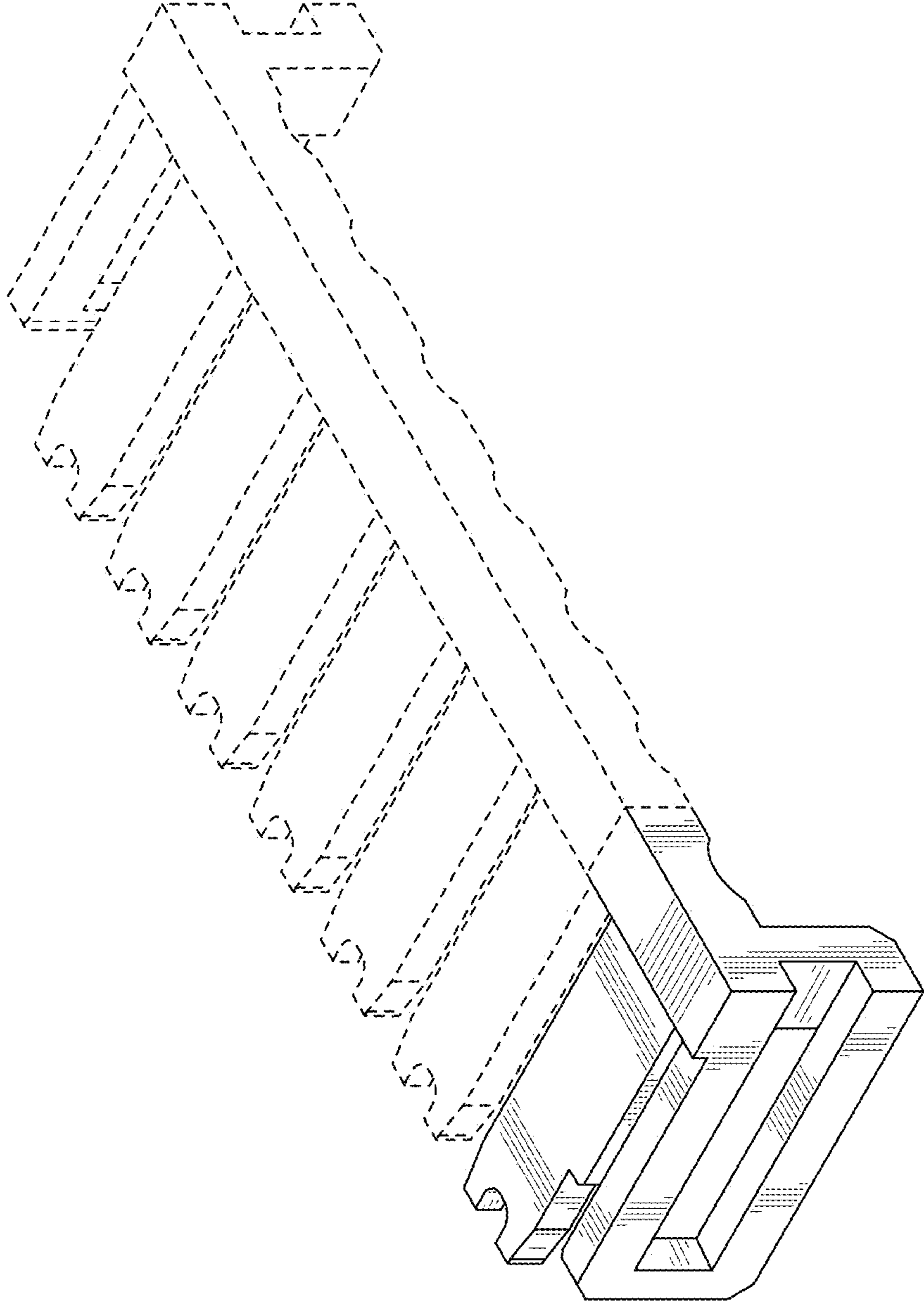


FIG. 81

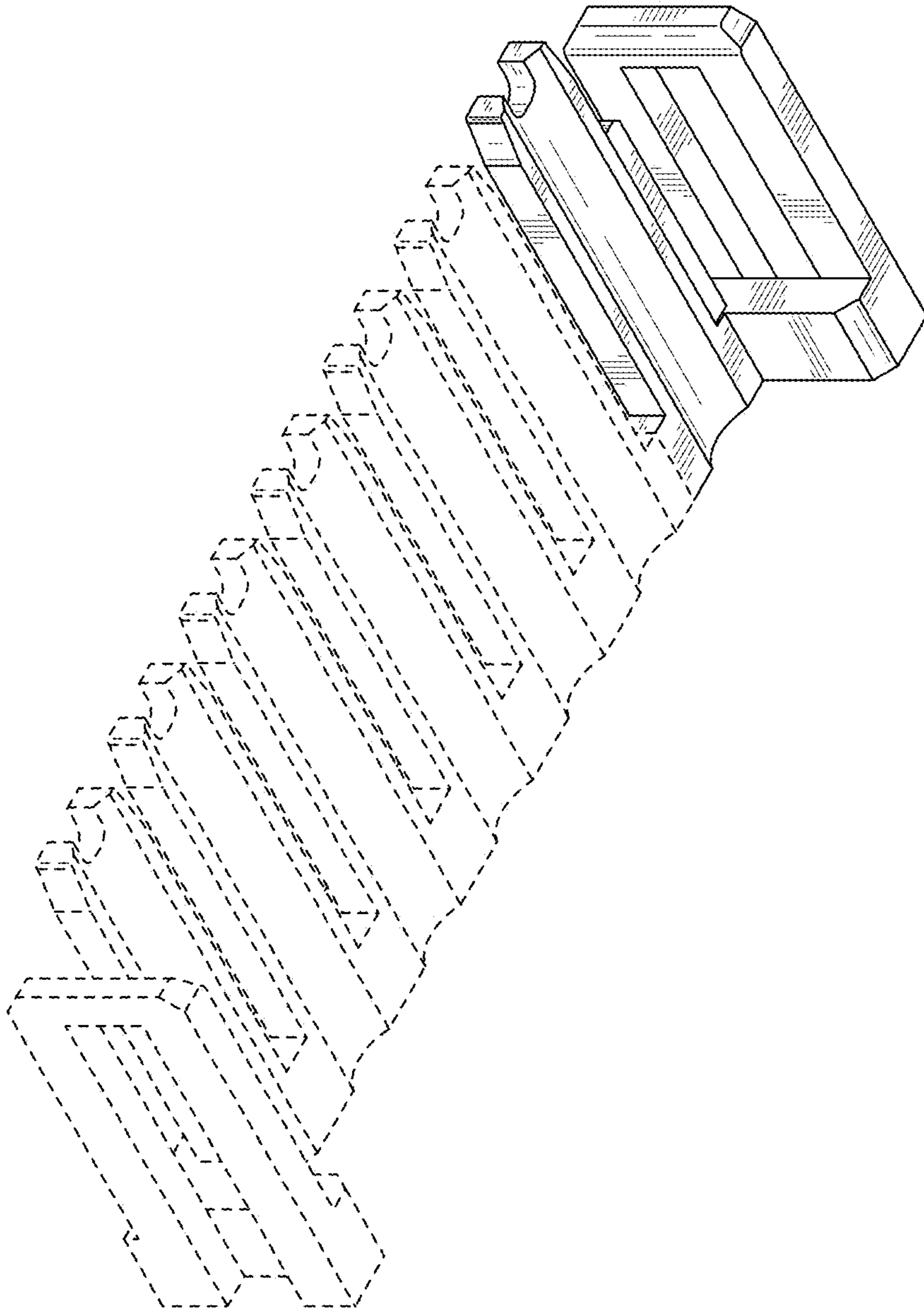


FIG. 82



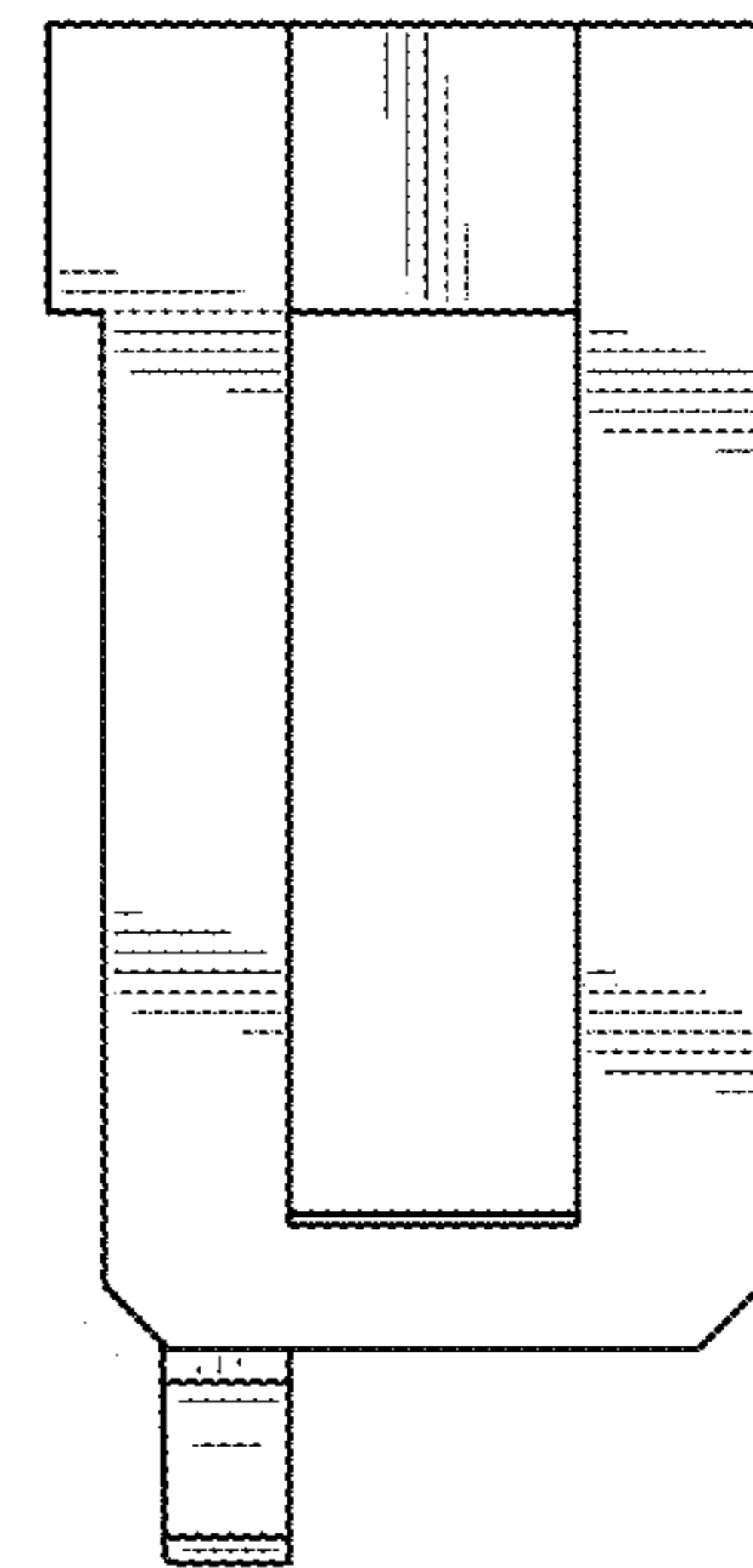
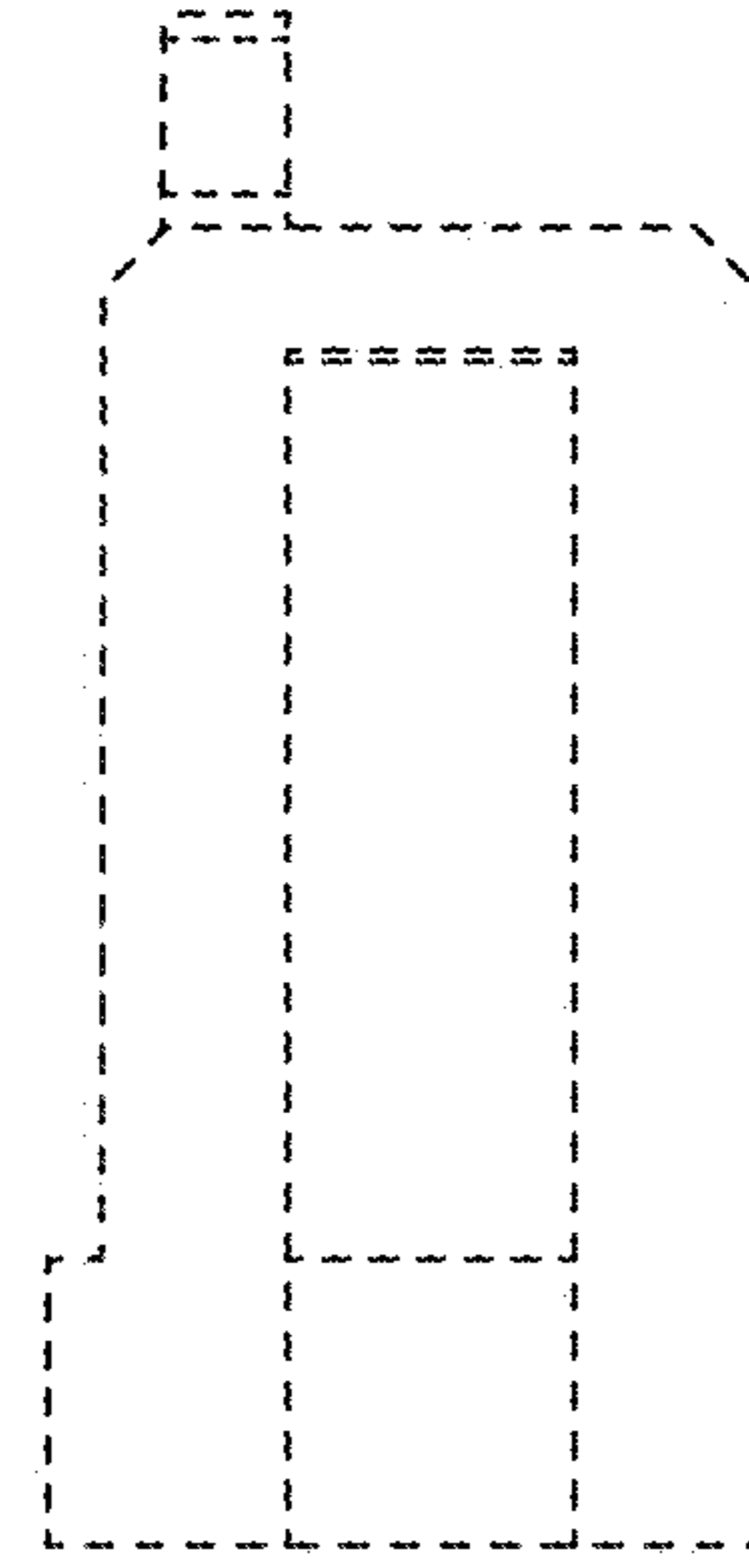
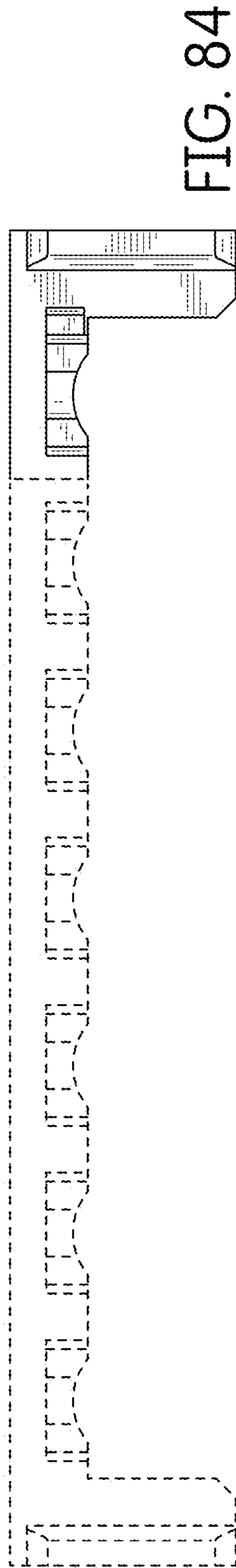
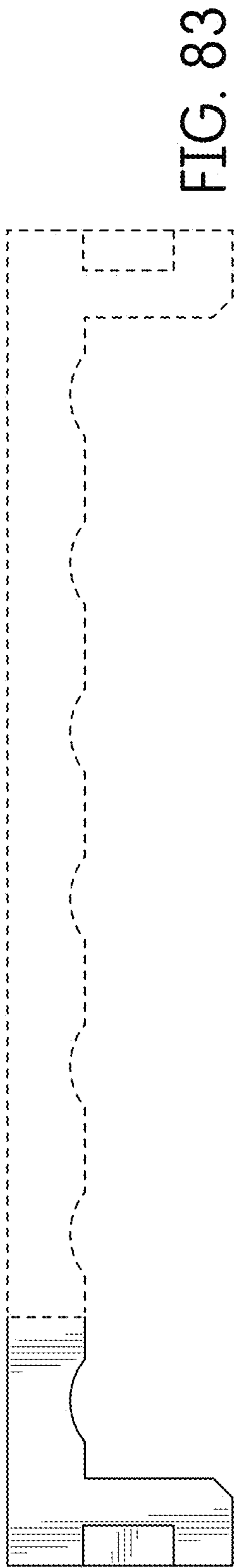
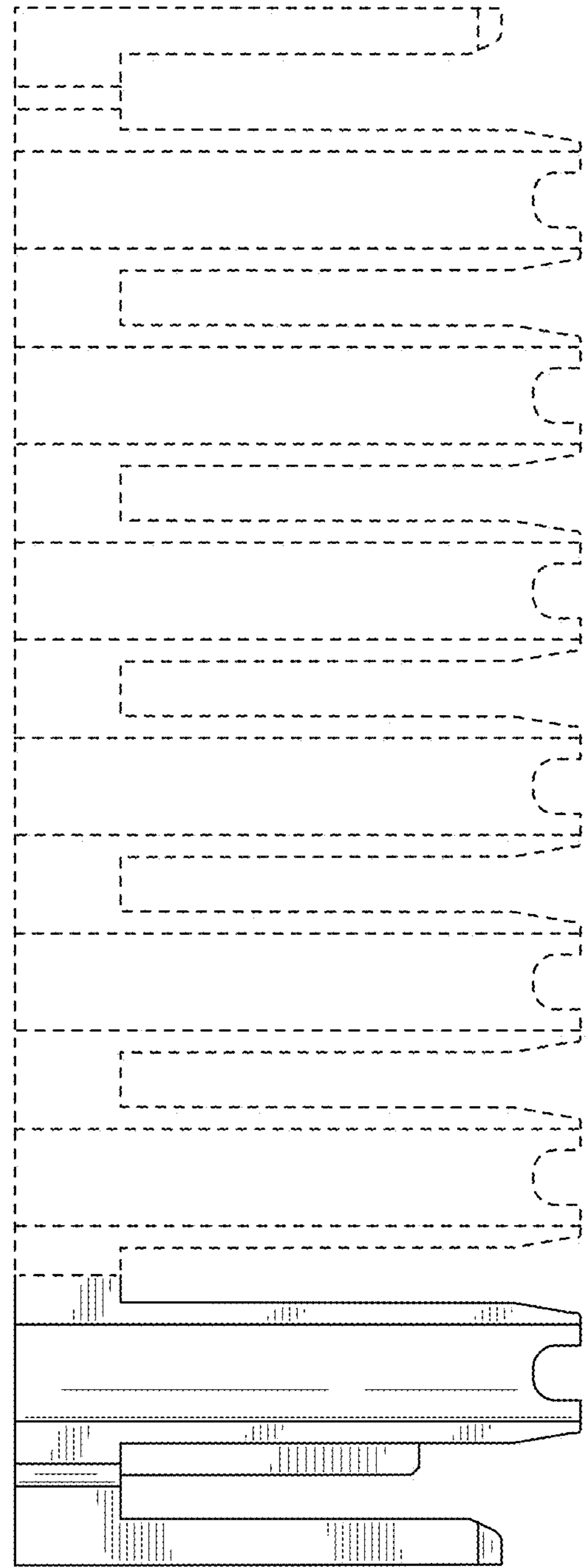
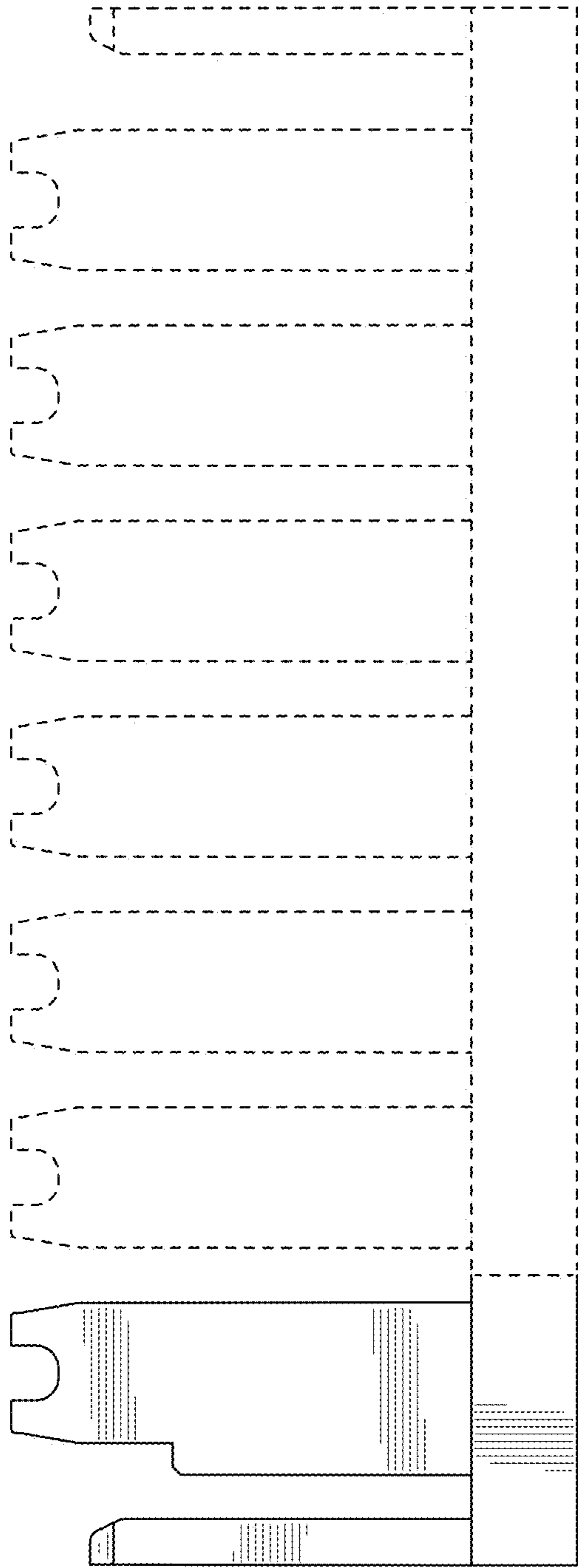


FIG. 86

FIG. 85



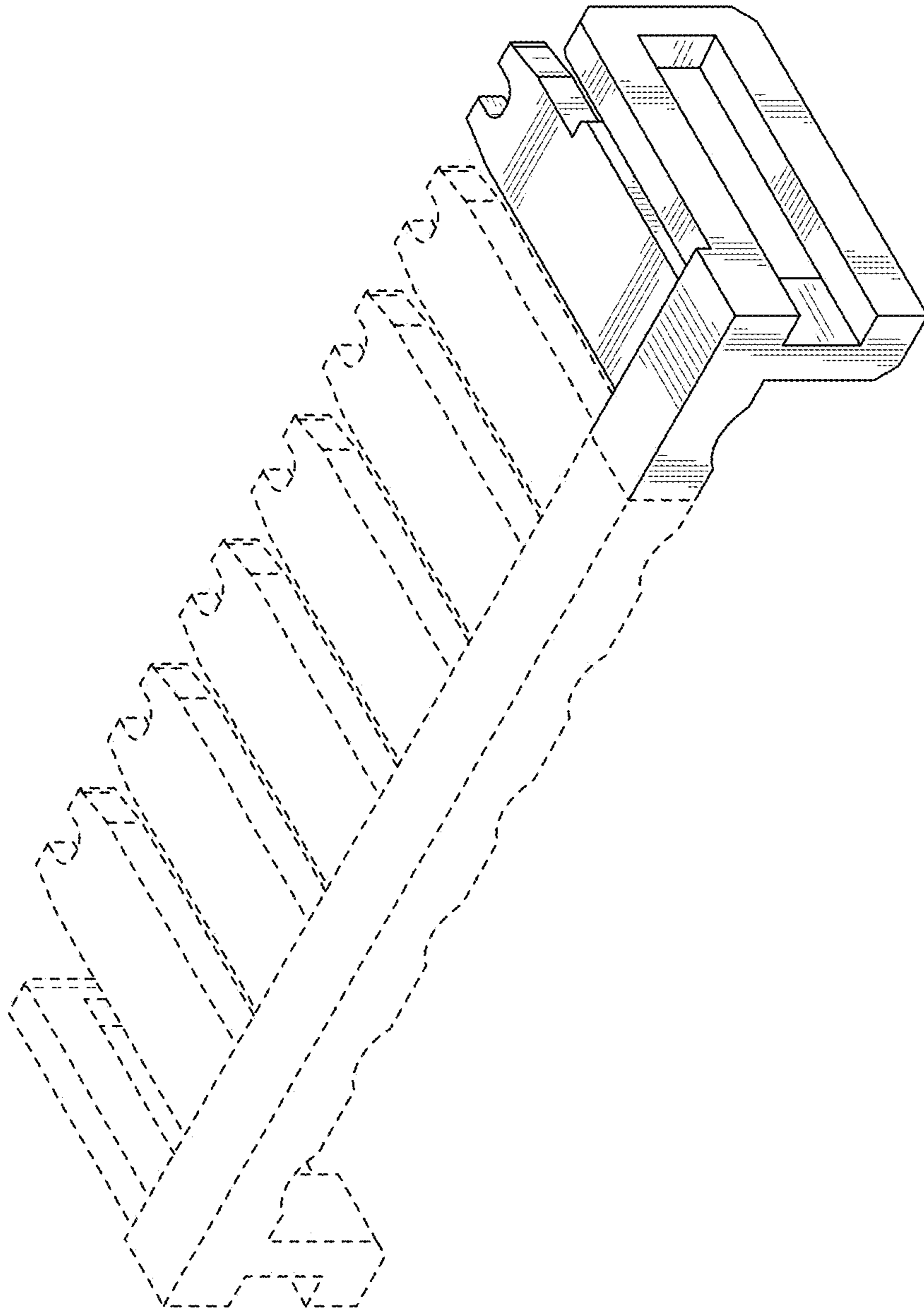


FIG. 89

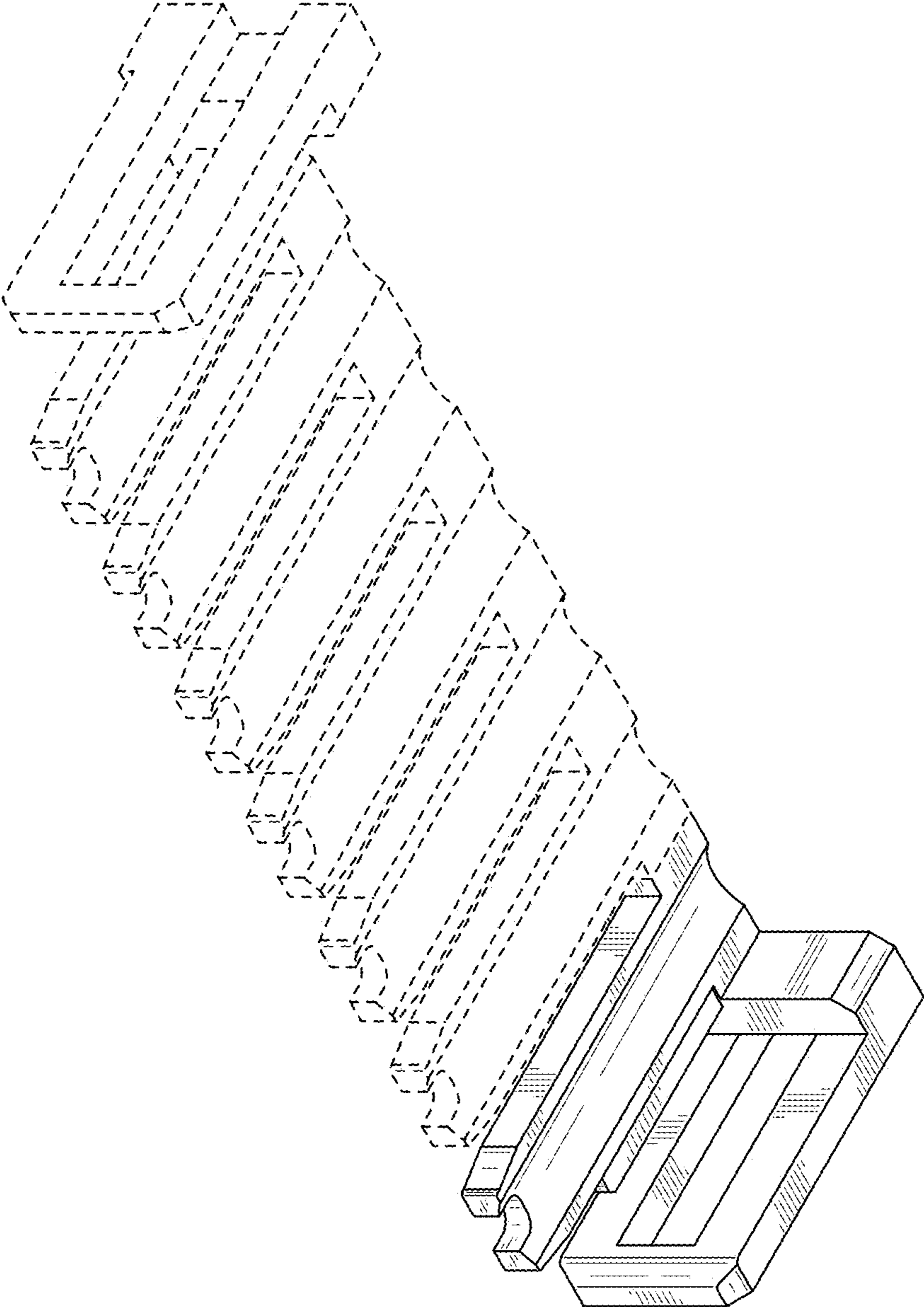
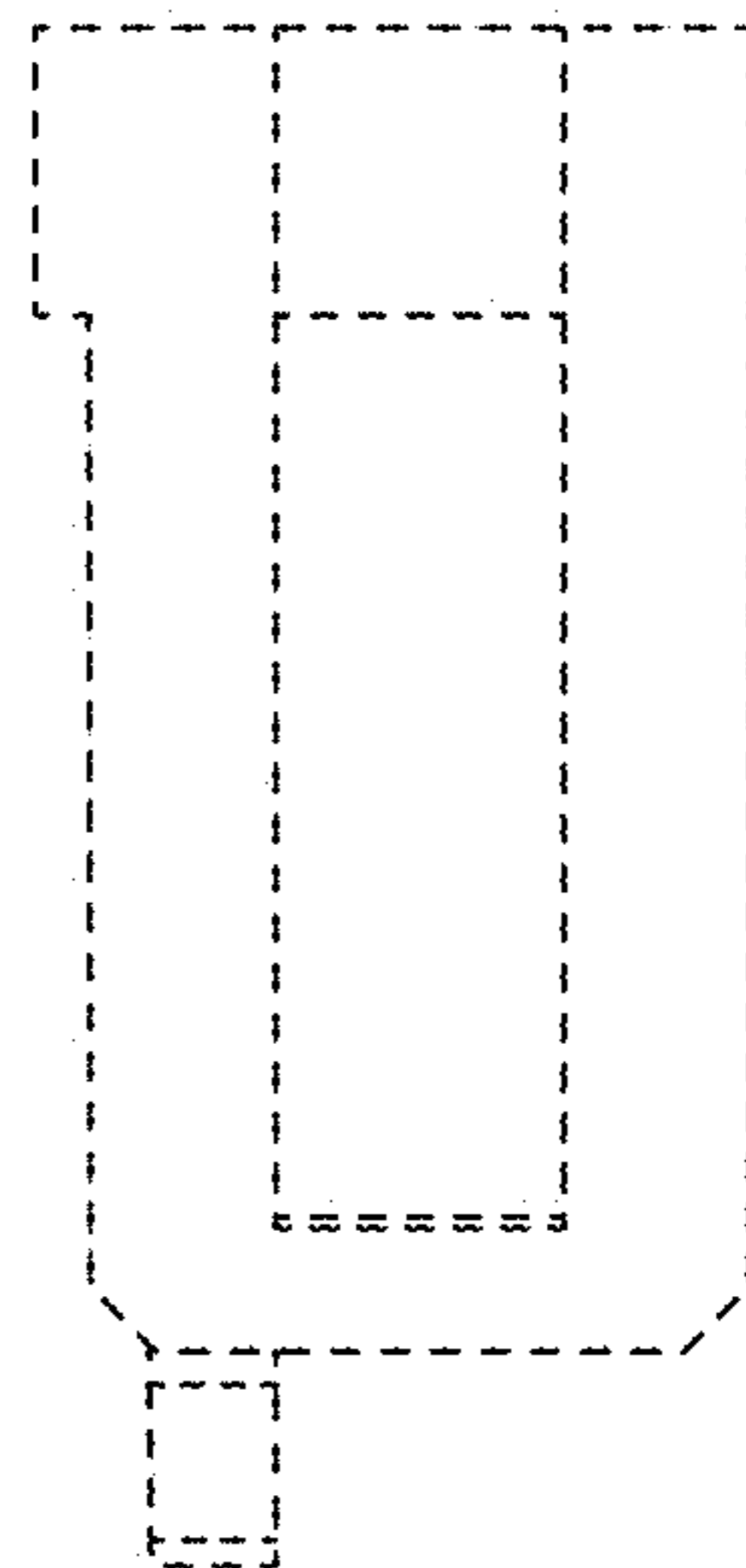
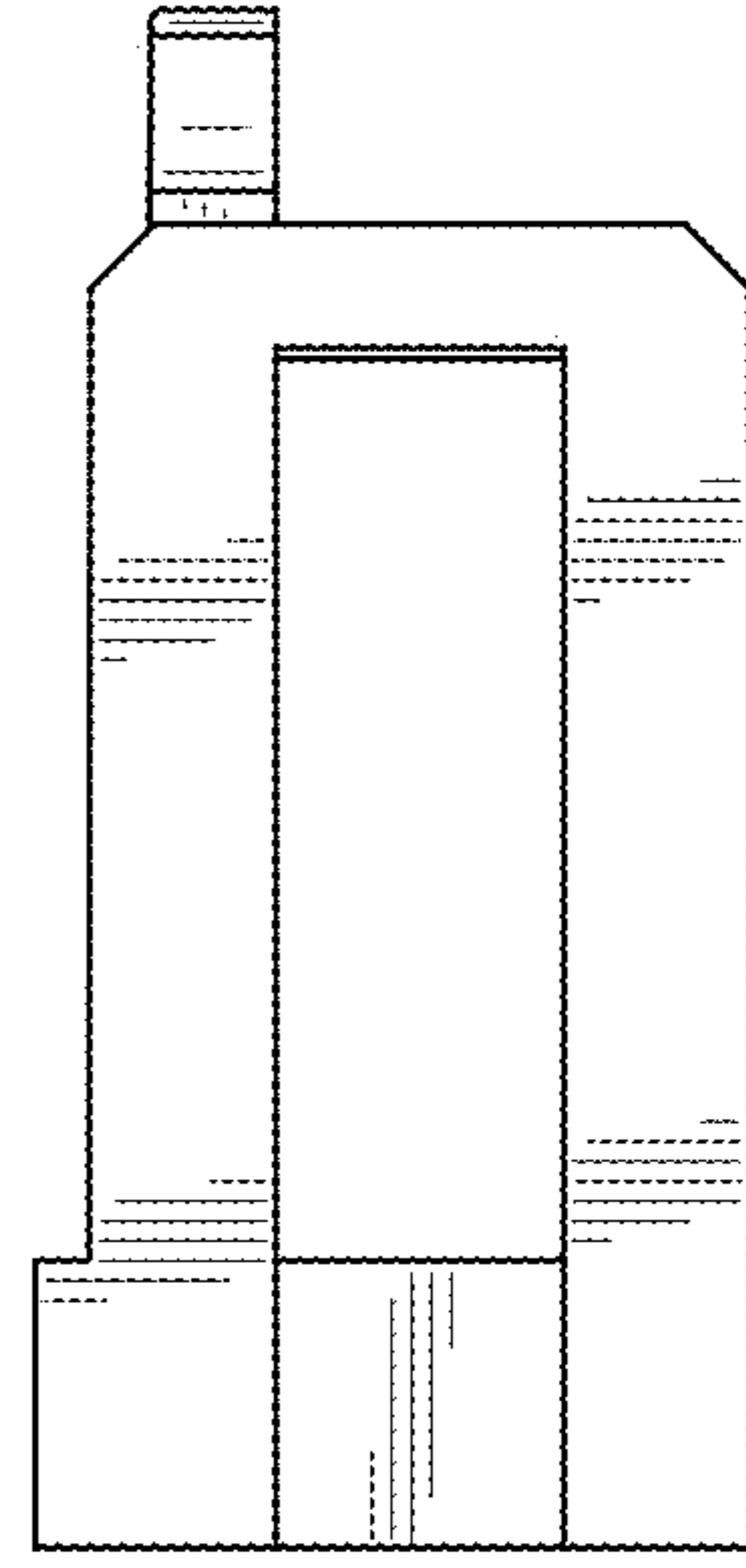
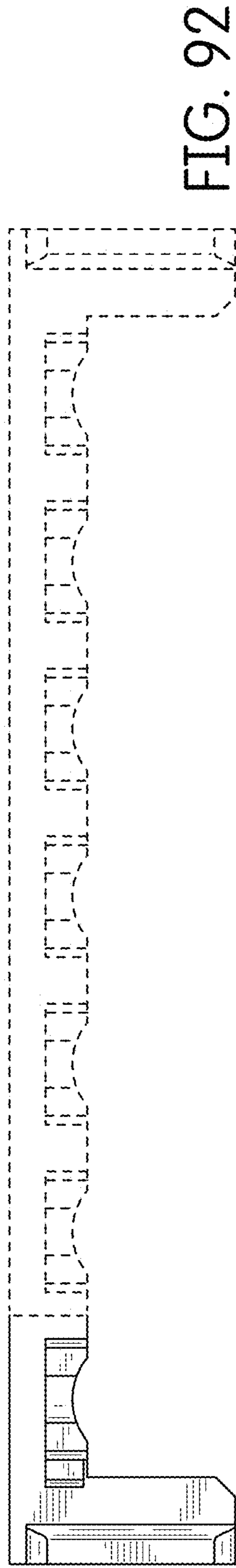
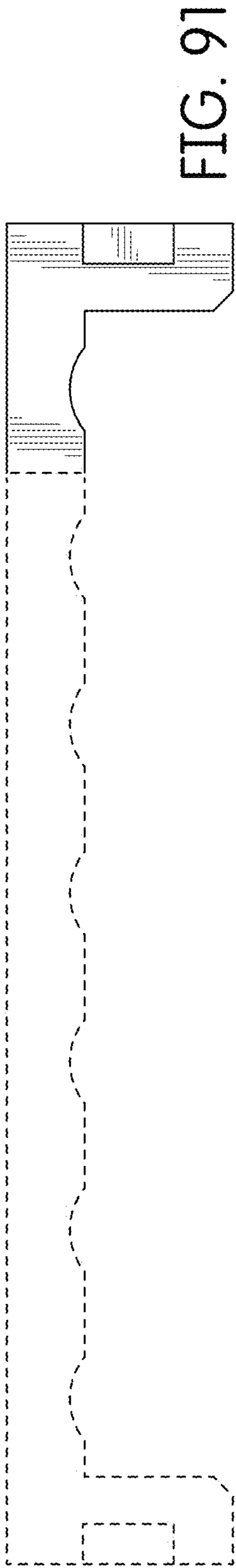
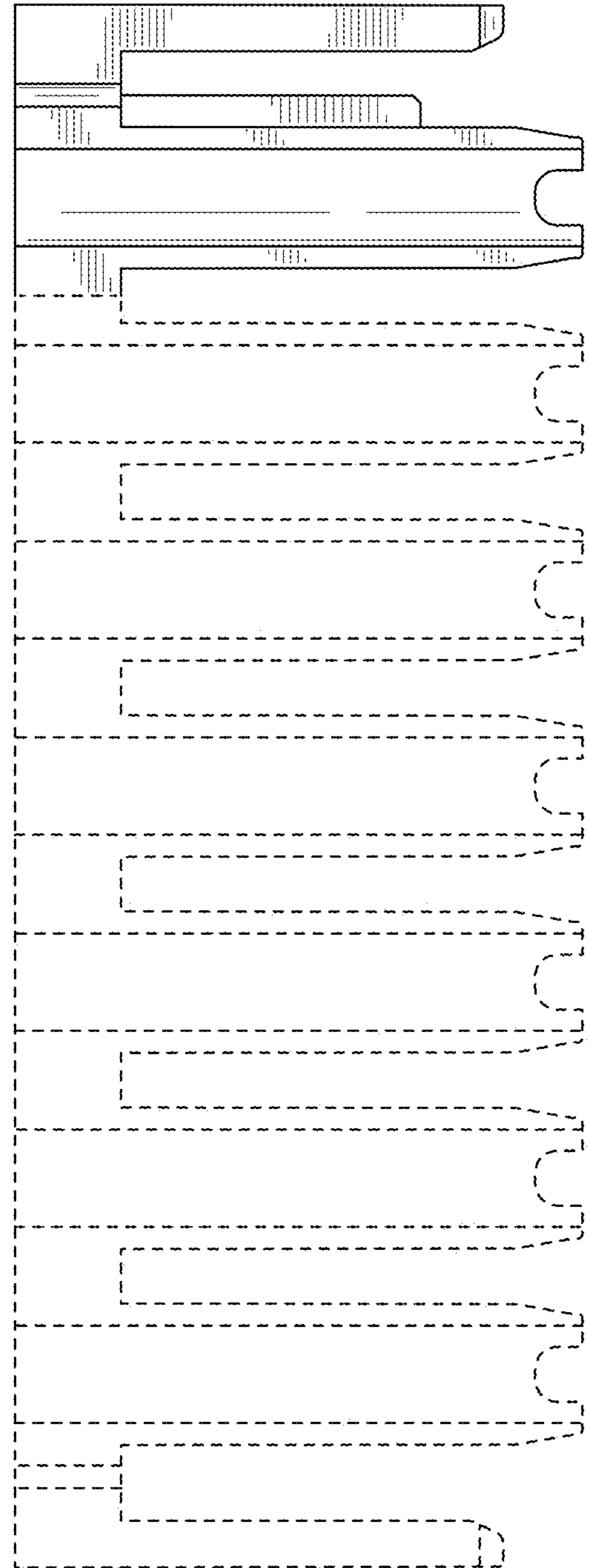
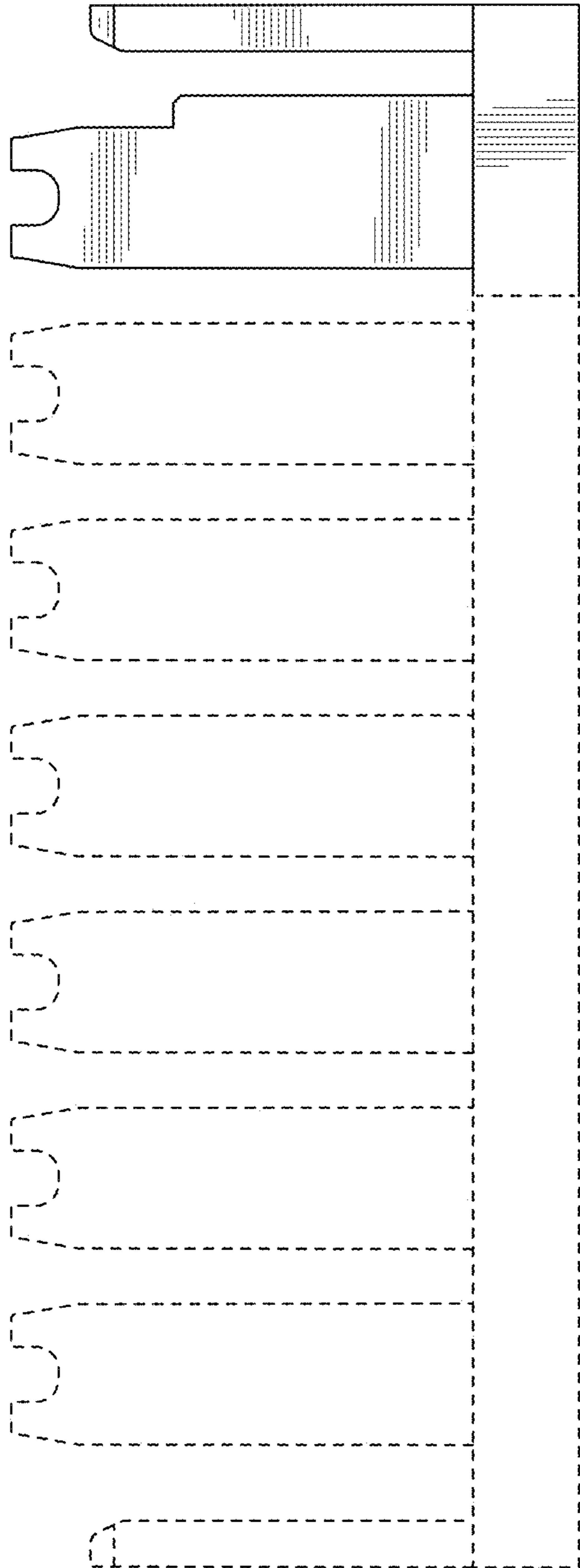


FIG. 90







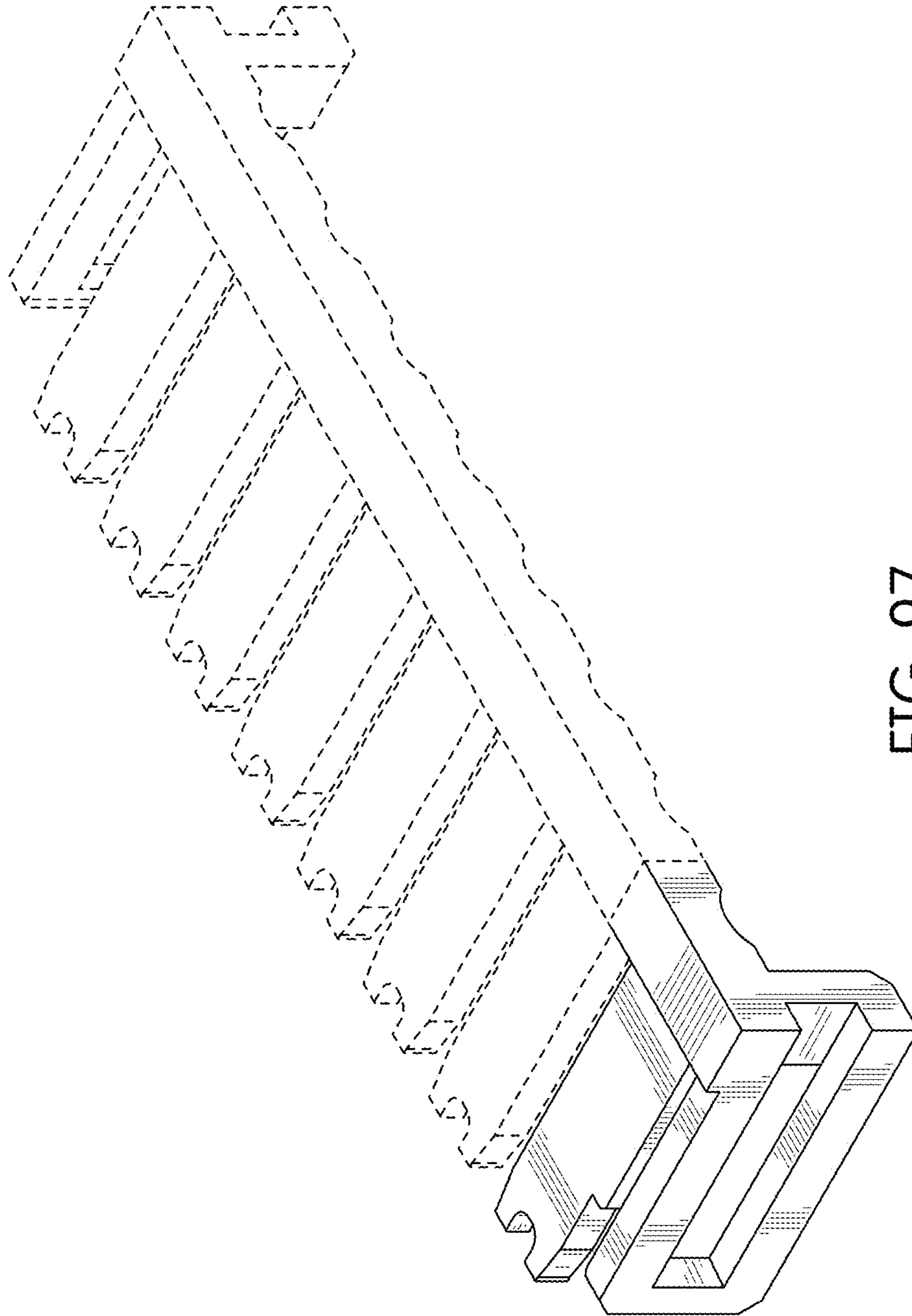


FIG. 97

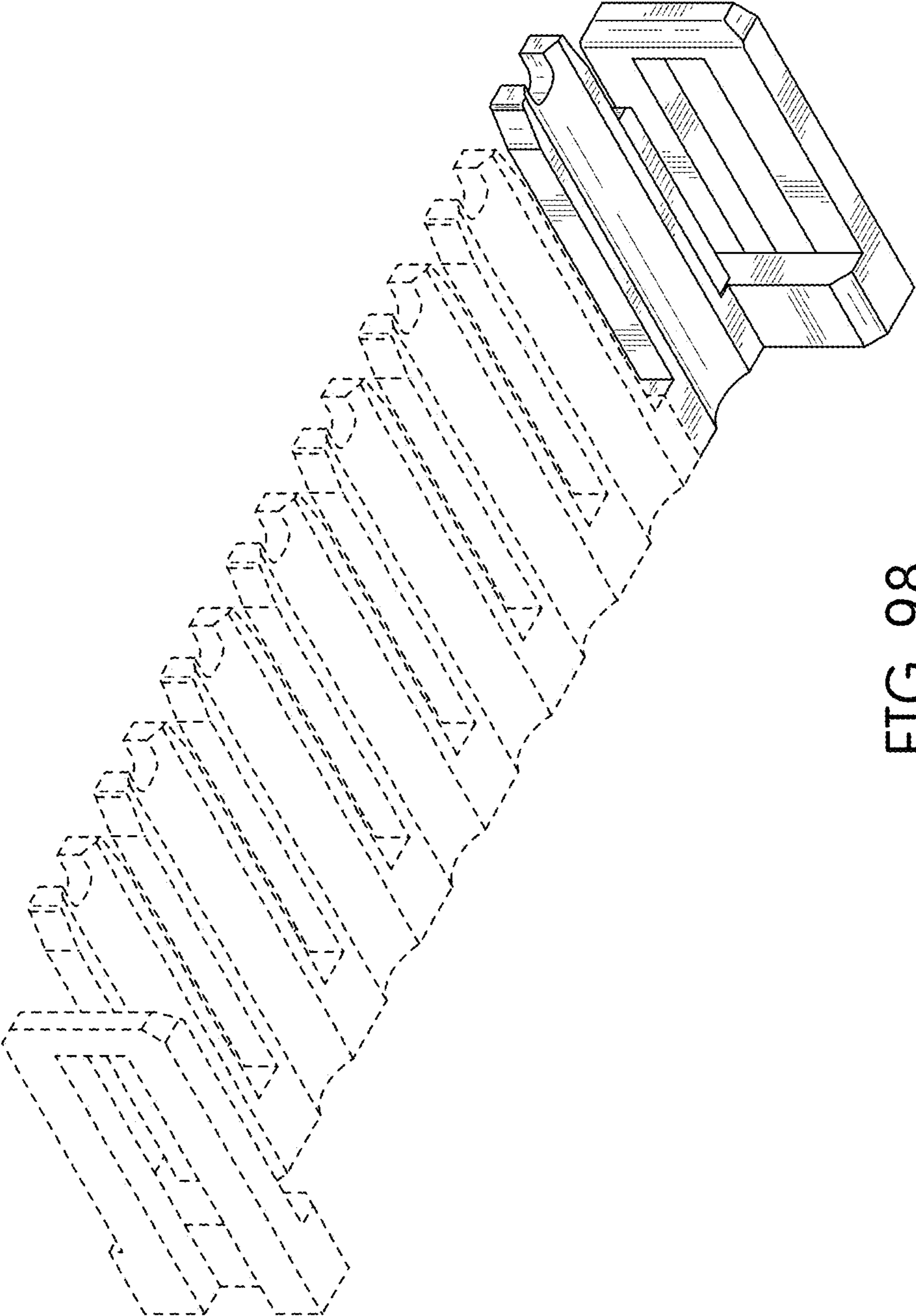


FIG. 98

FIG. 99

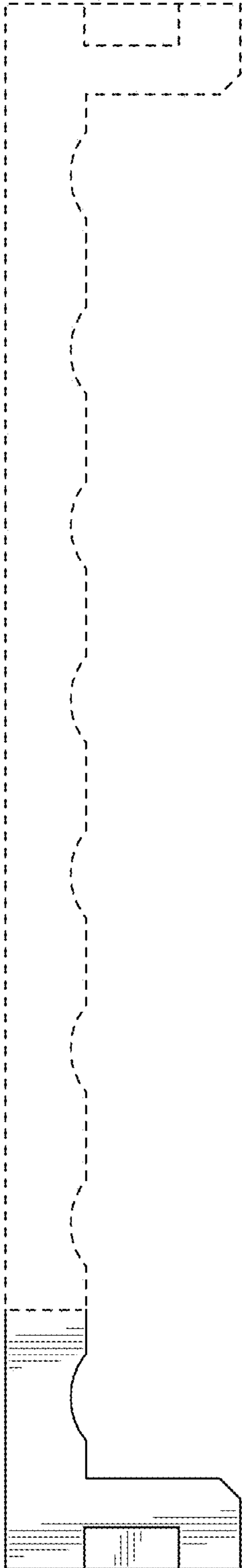


FIG. 100

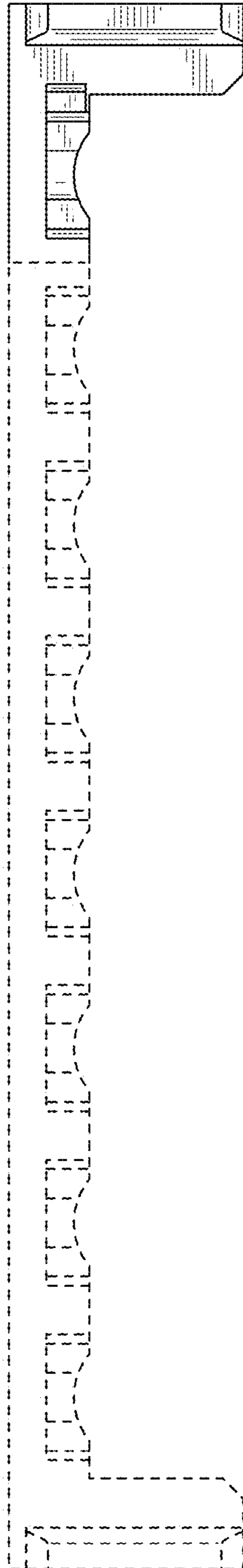


FIG. 102

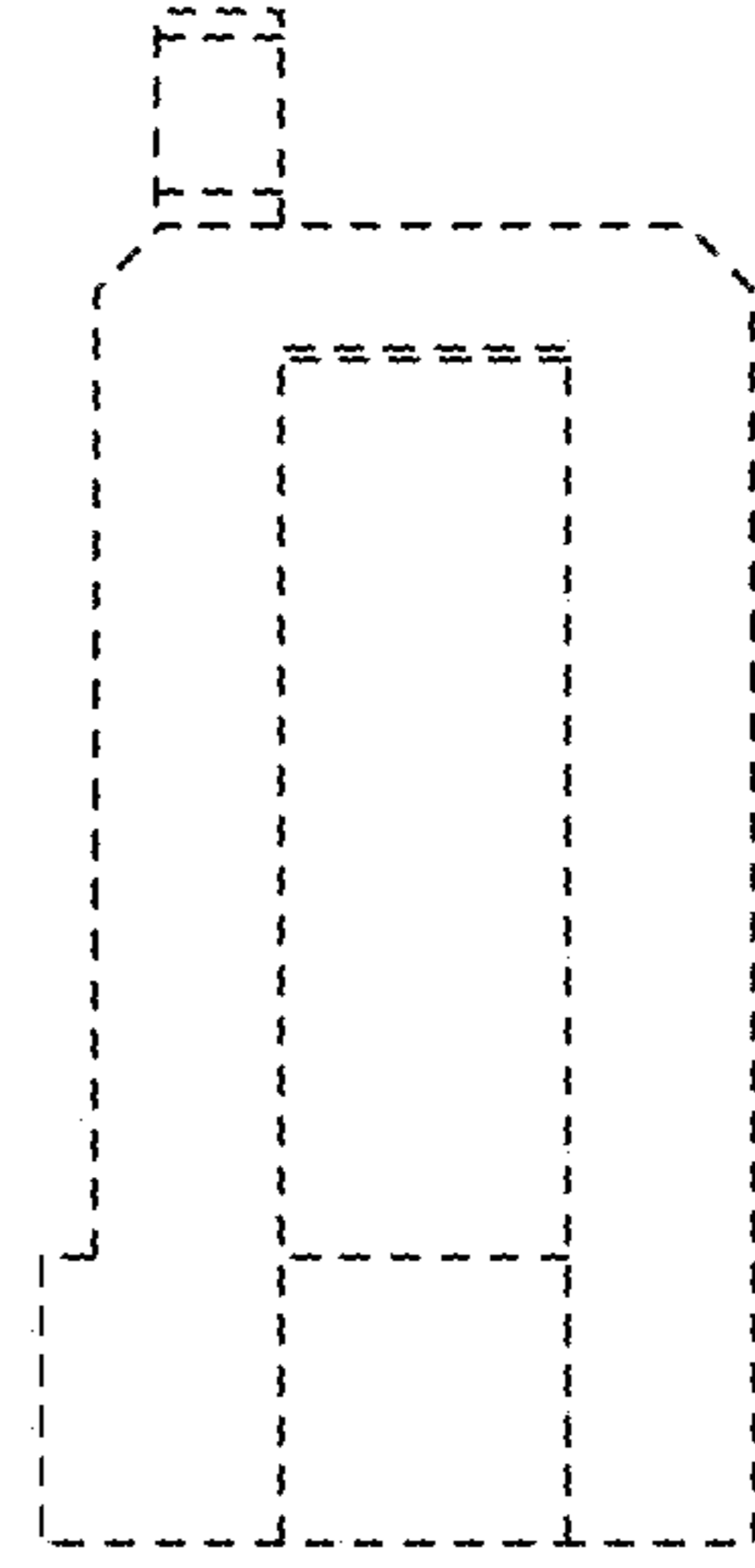
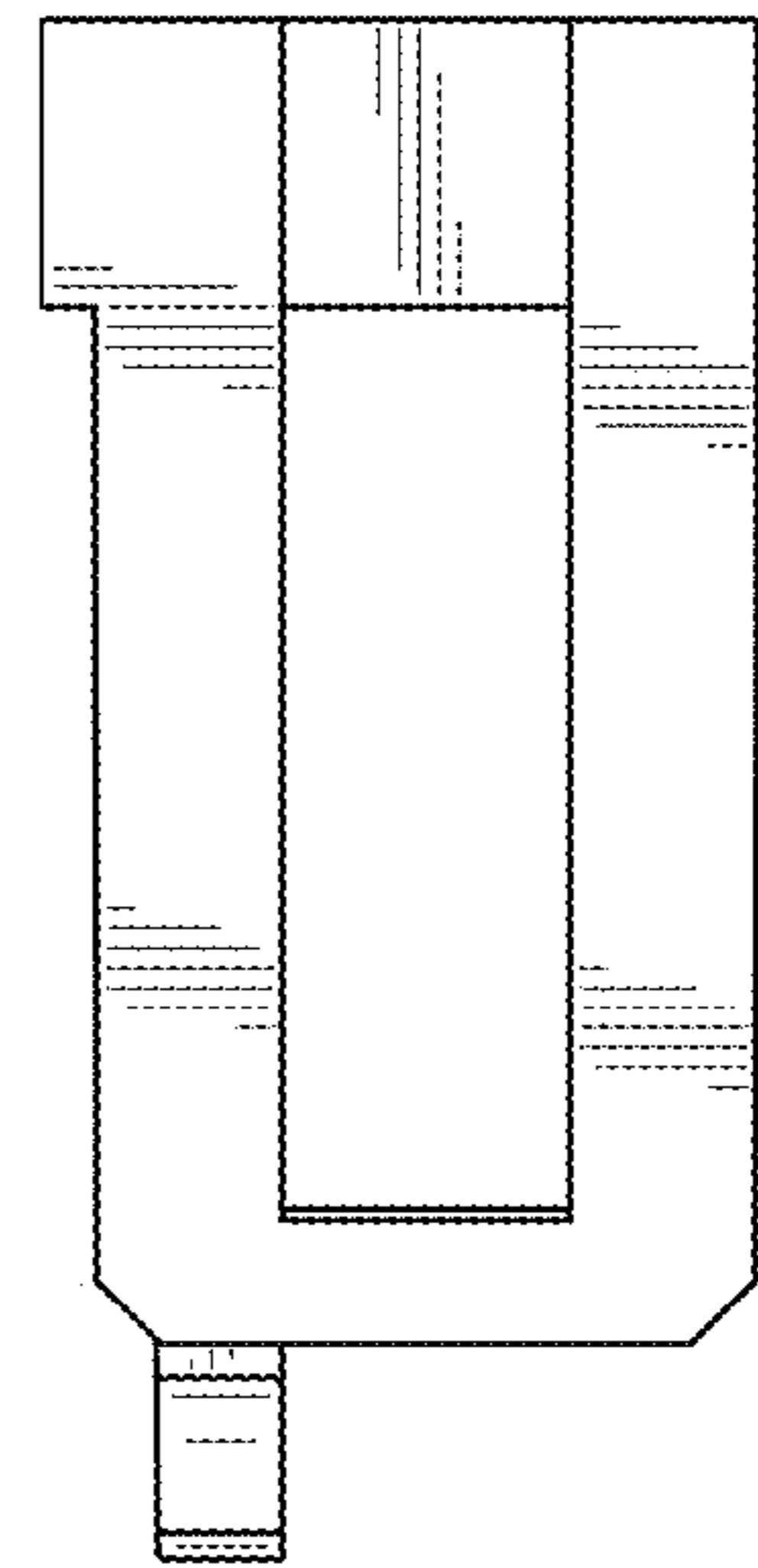


FIG. 101



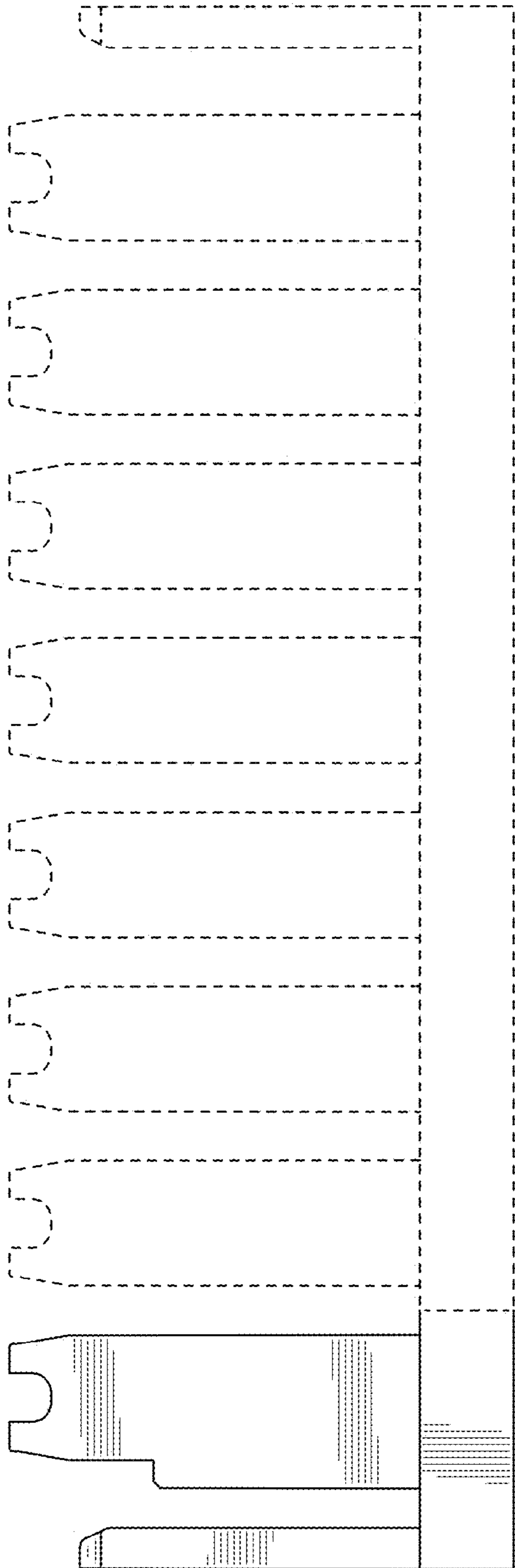


FIG. 103

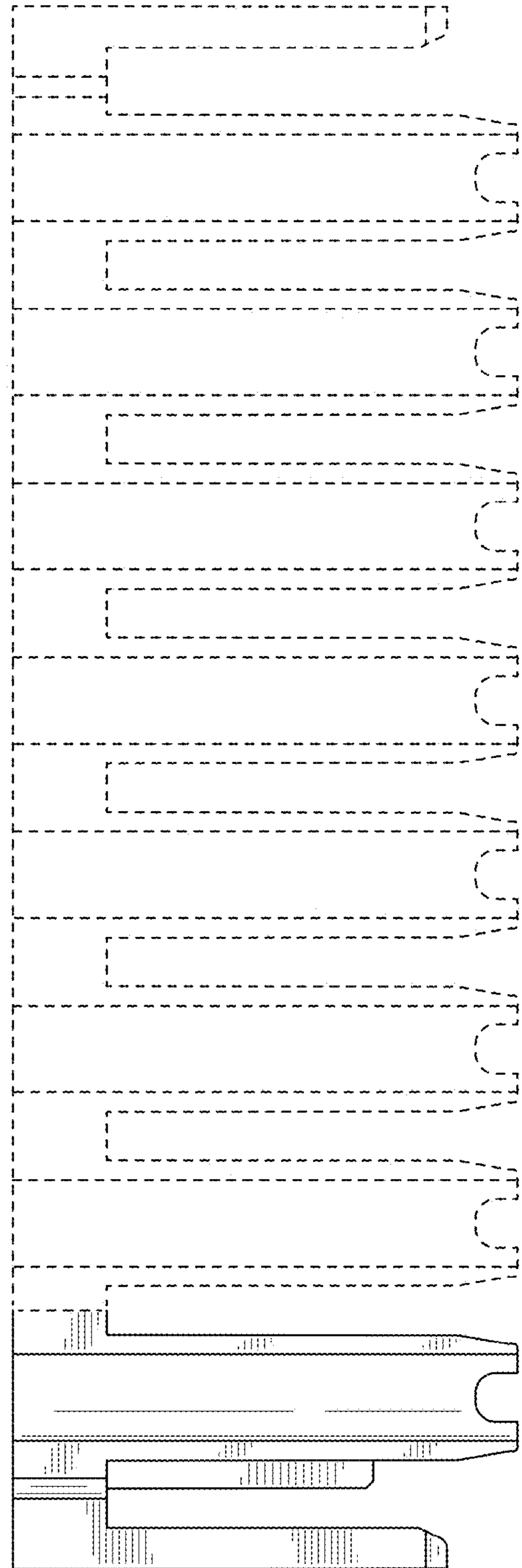


FIG. 104

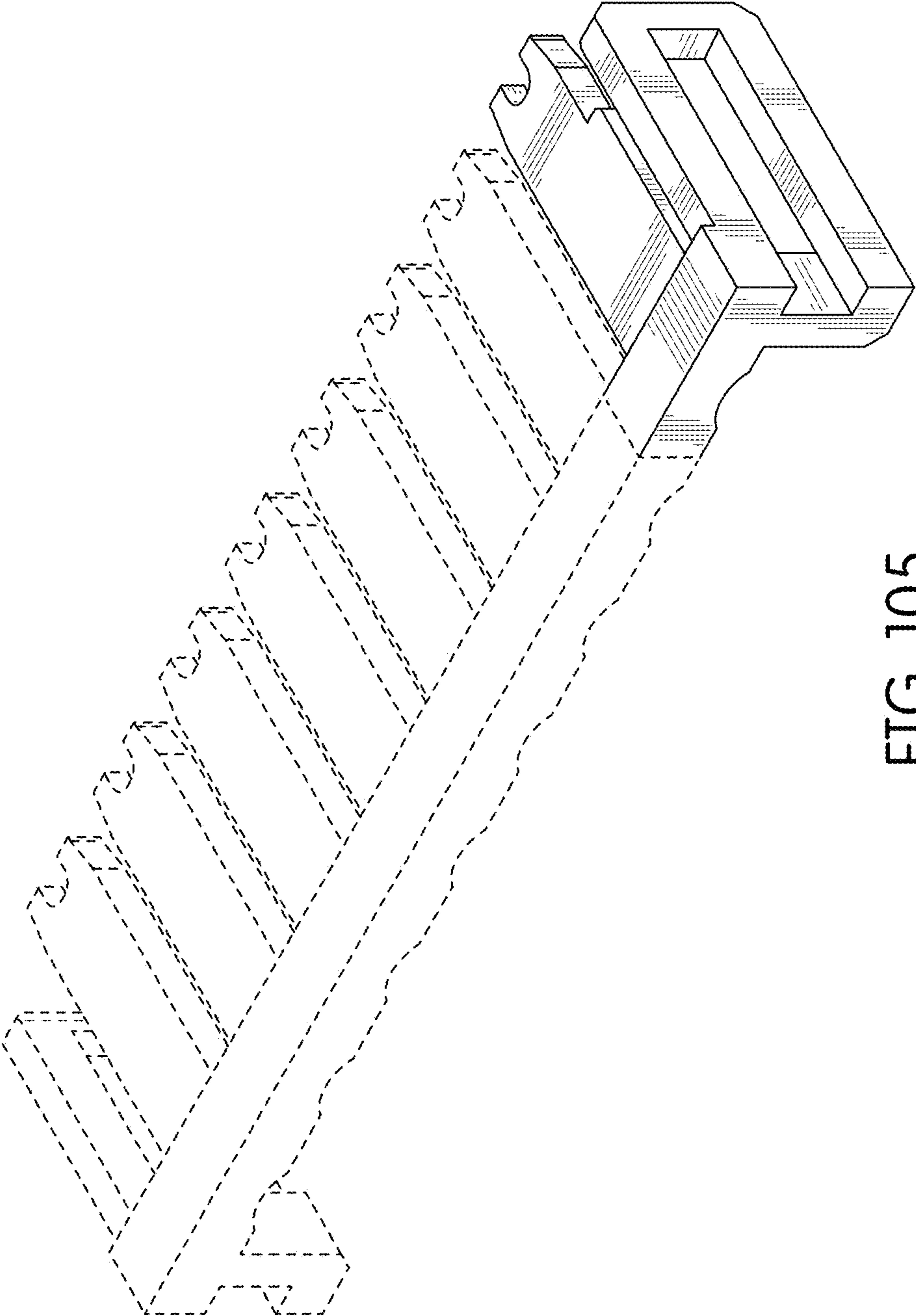


FIG. 105



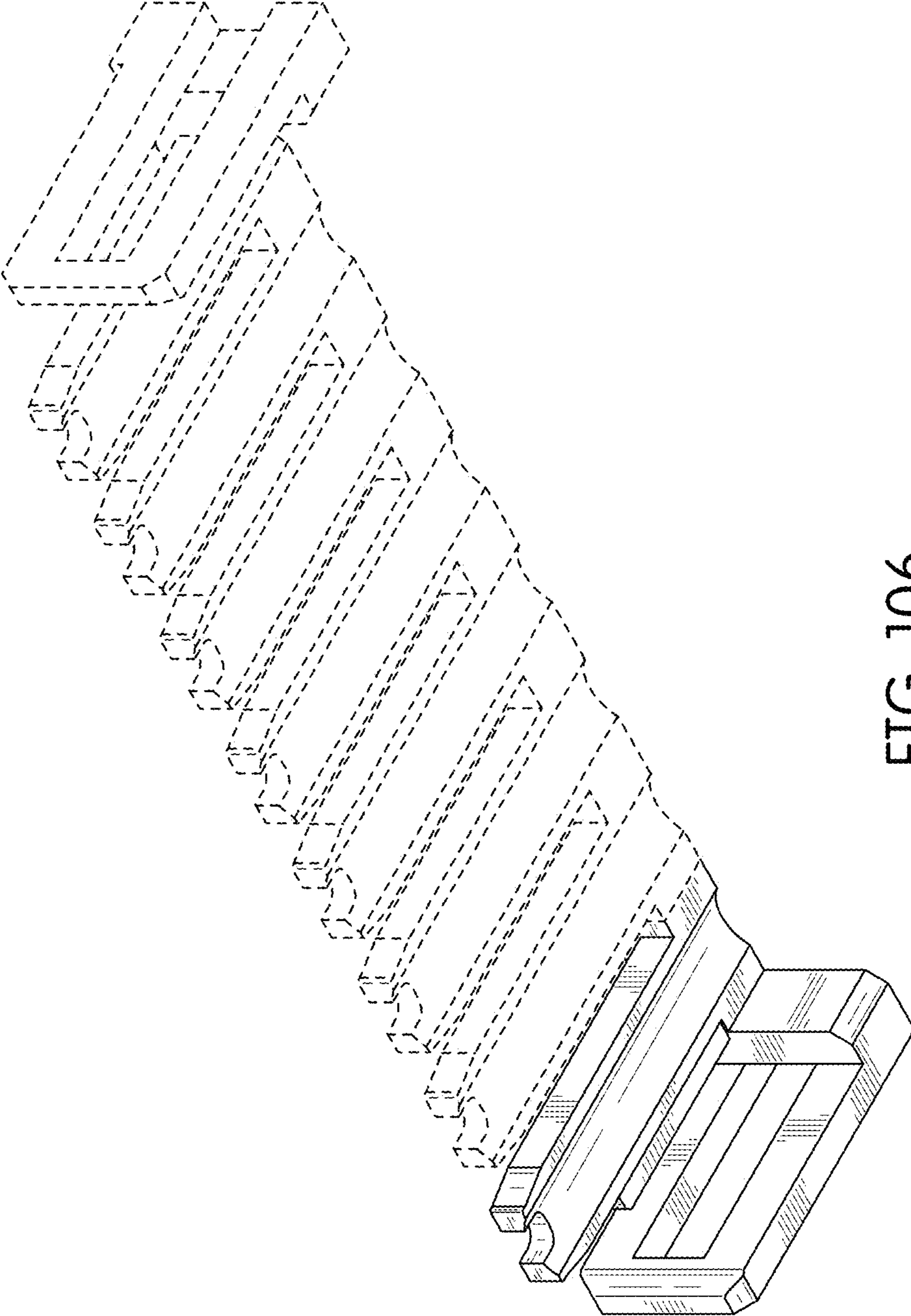


FIG. 106

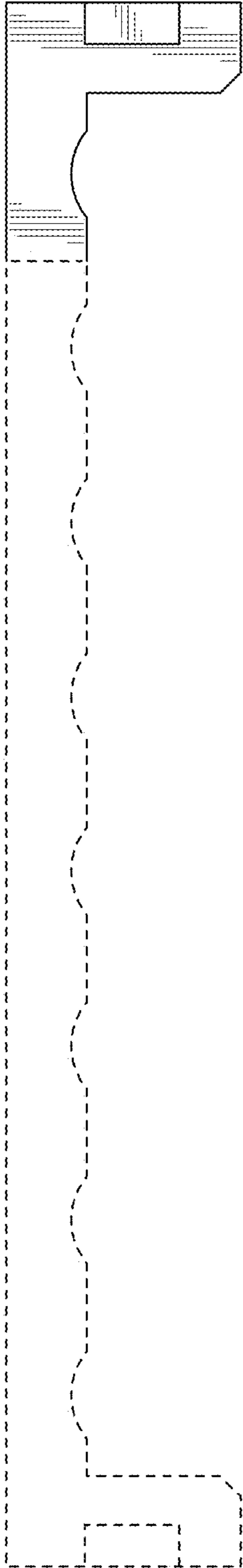


FIG. 107

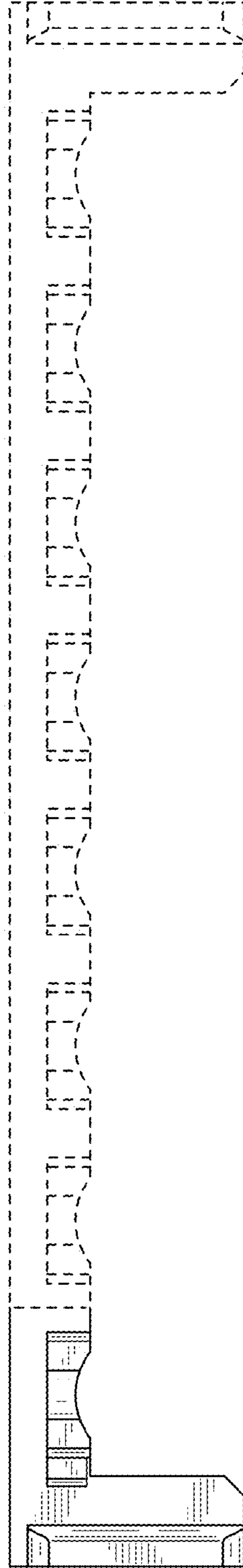


FIG. 108

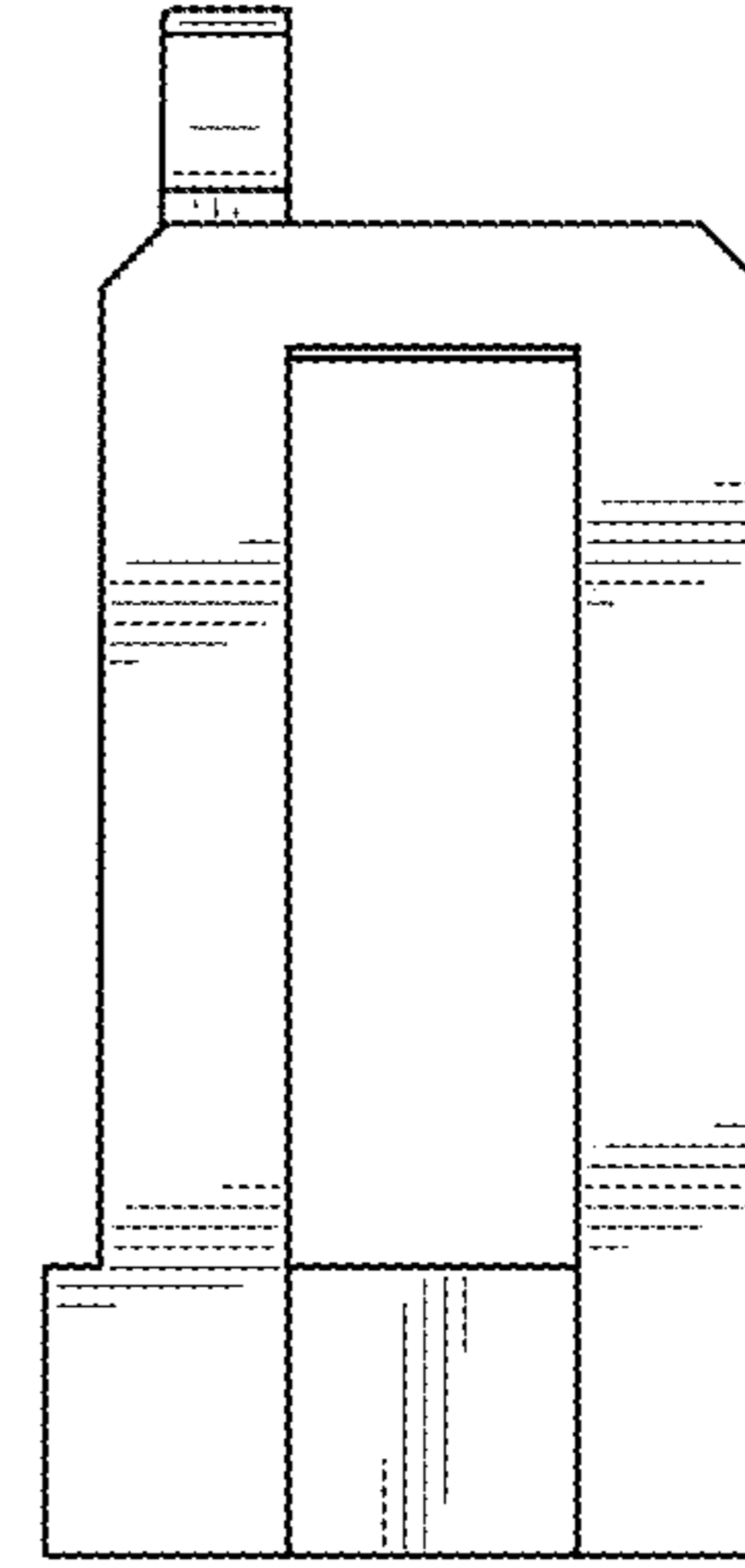


FIG. 110

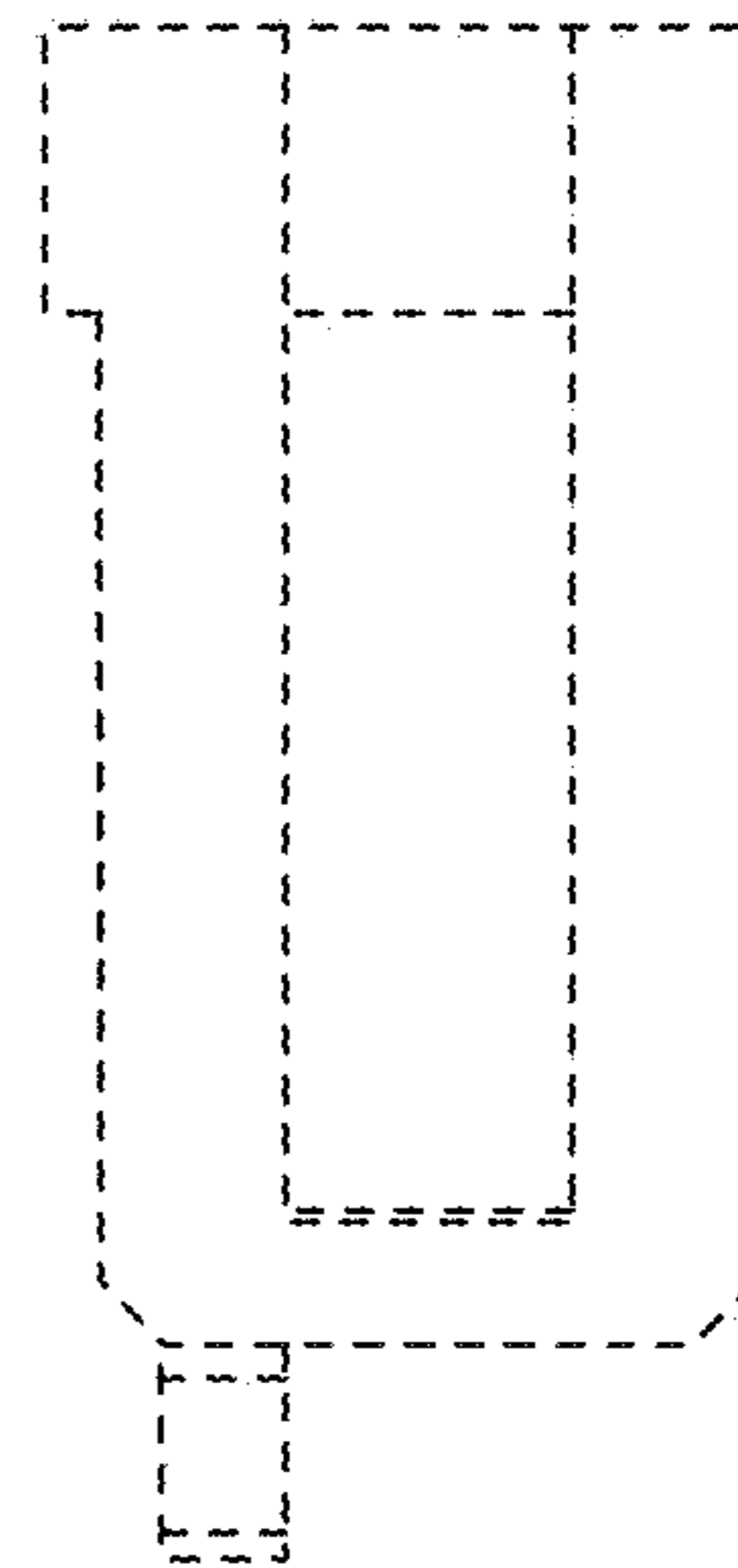


FIG. 109

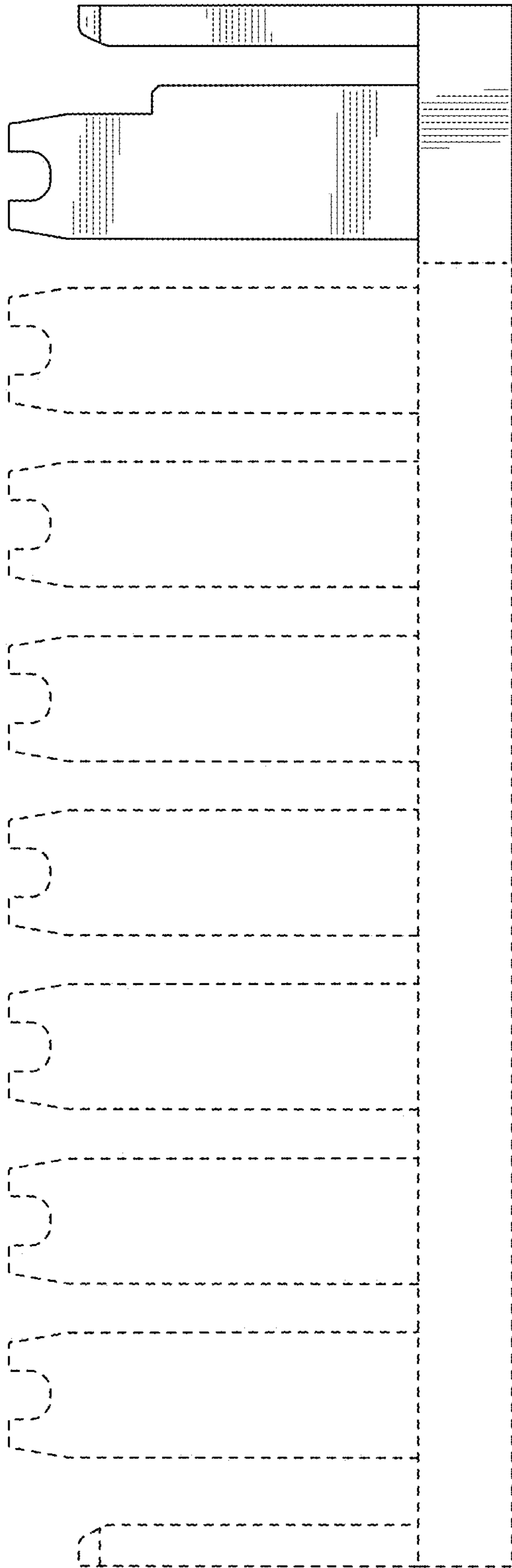


FIG. 111

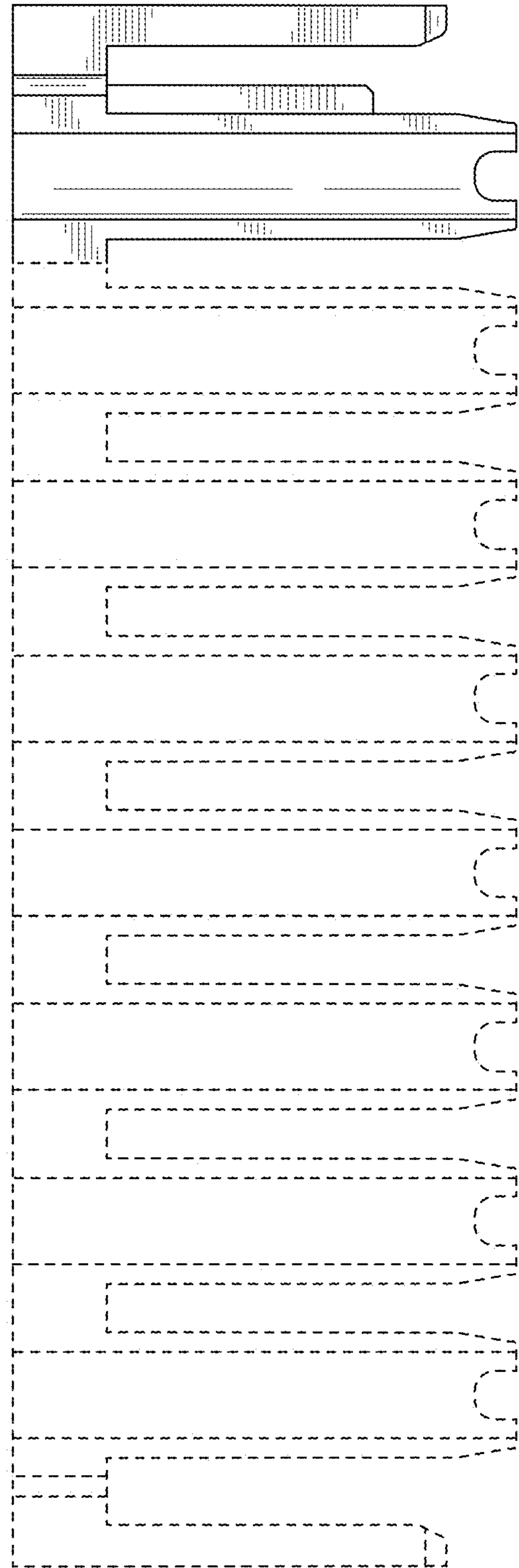


FIG. 112

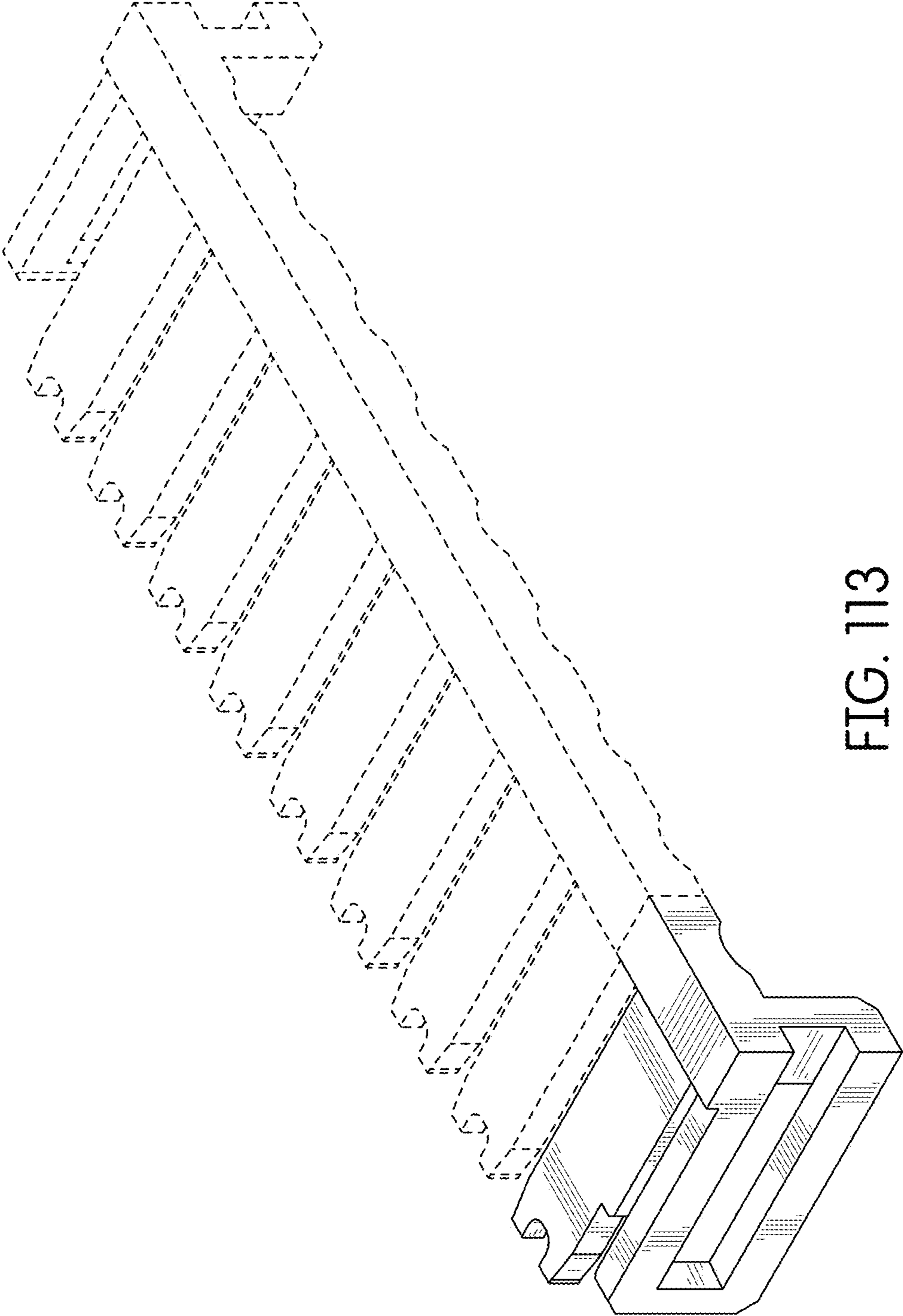


FIG. 113

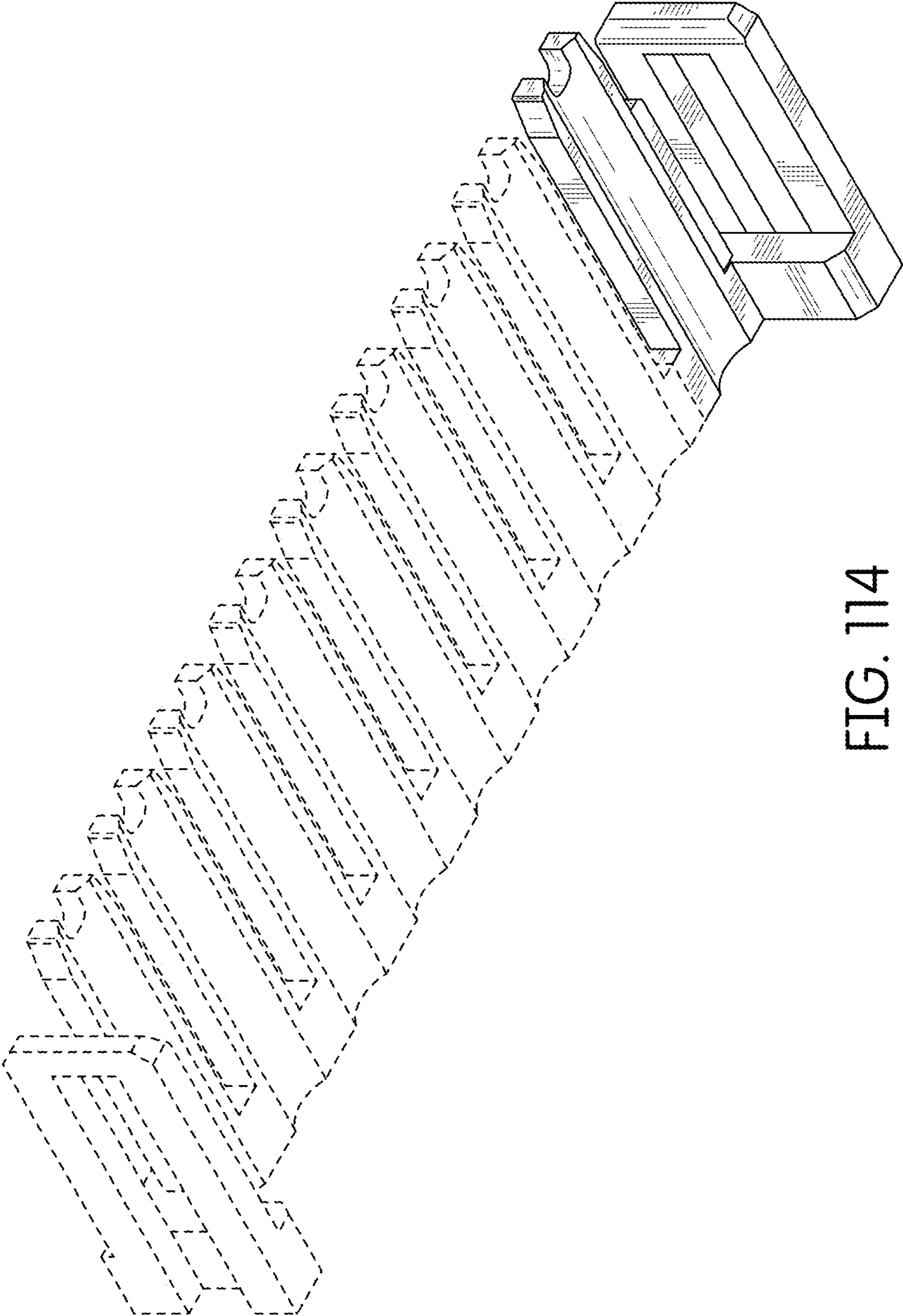


FIG. 114

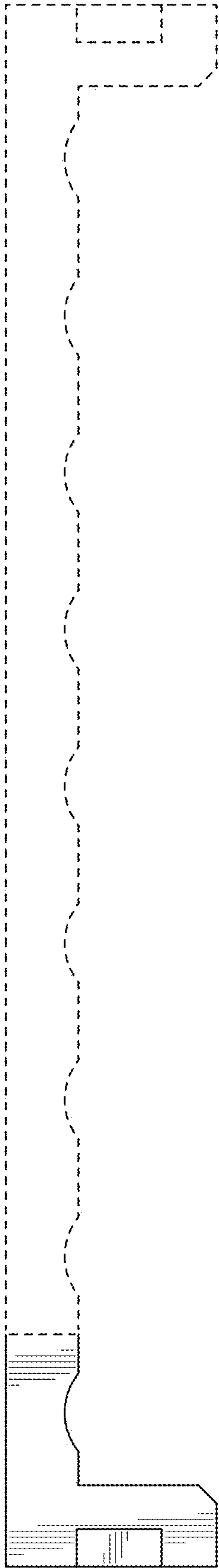


FIG. 115

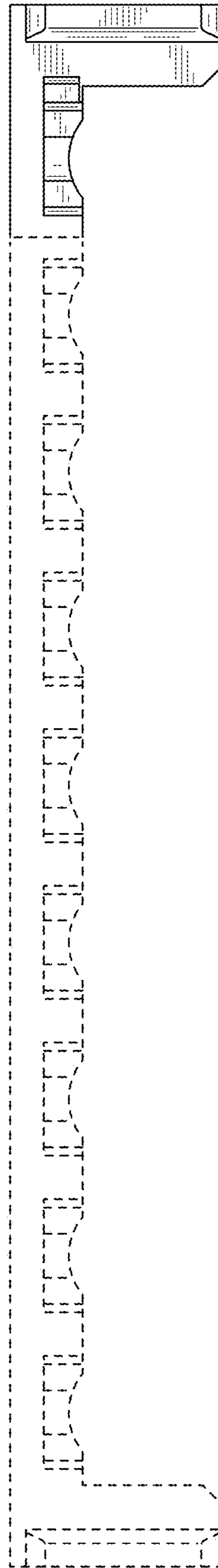


FIG. 116



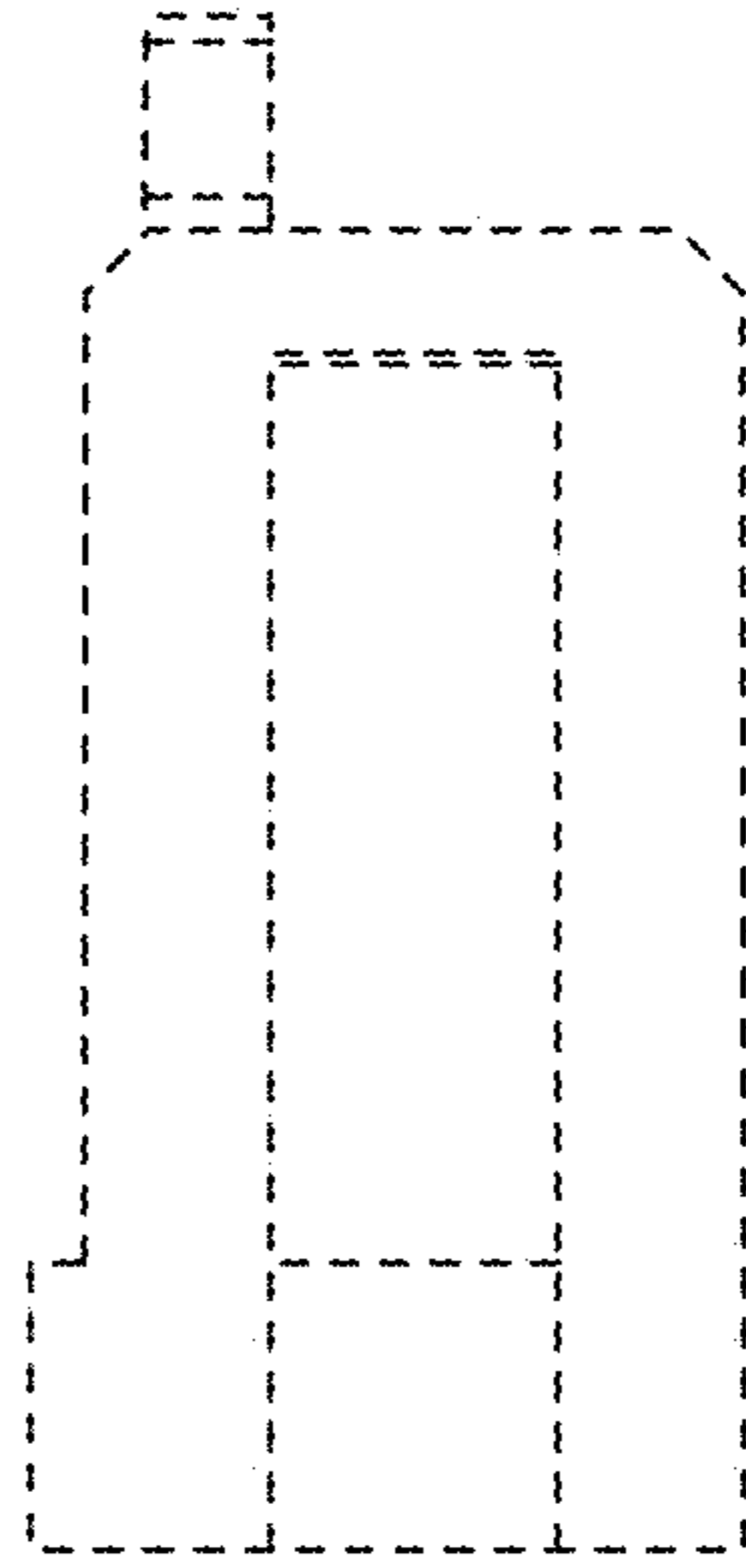


FIG. 118

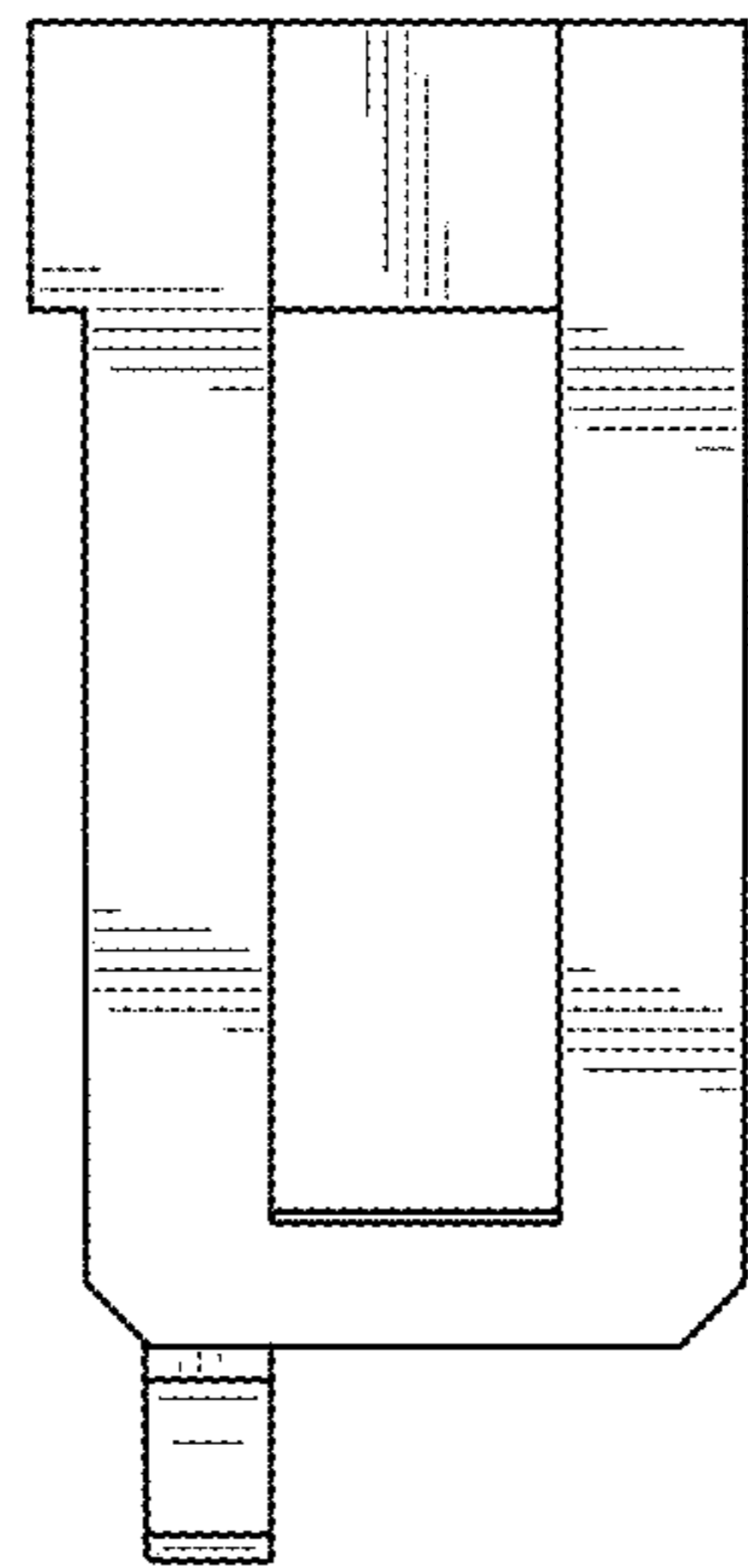


FIG. 117

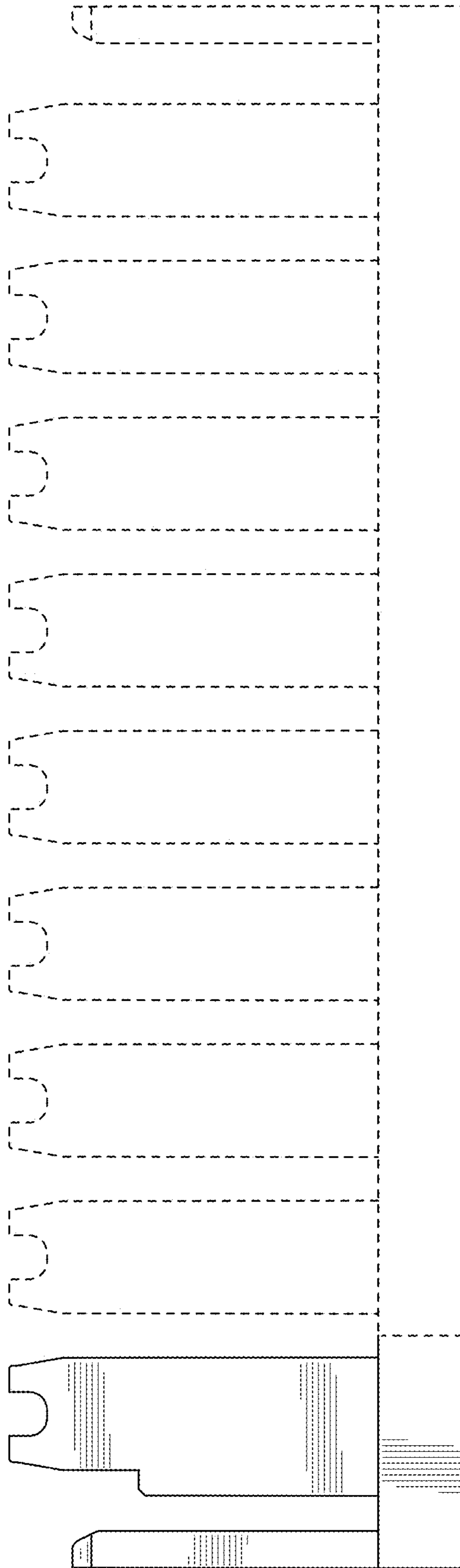


FIG. 119

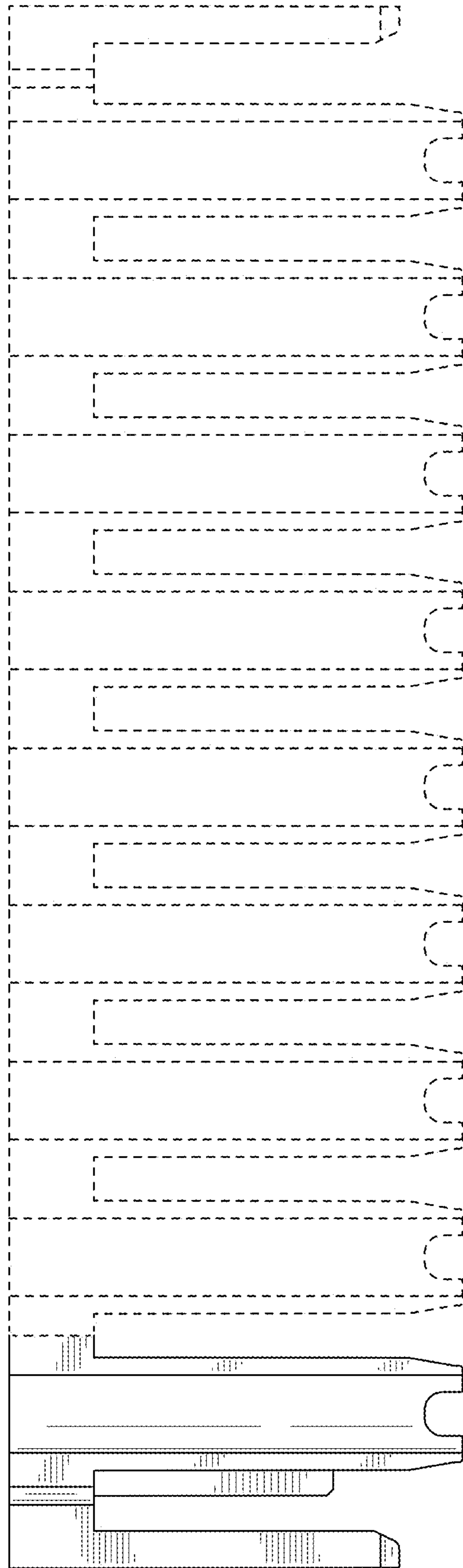


FIG. 120

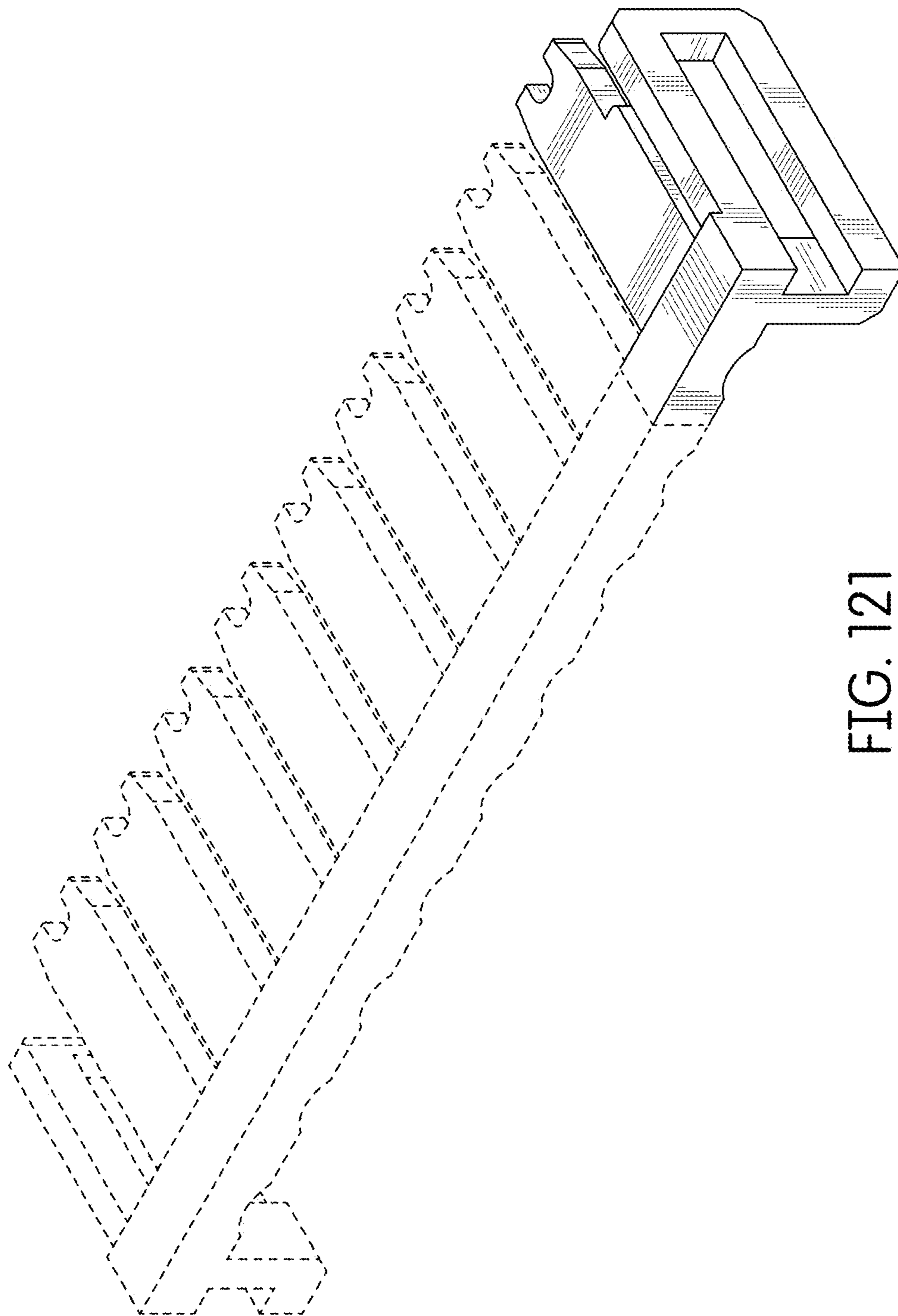


FIG. 121

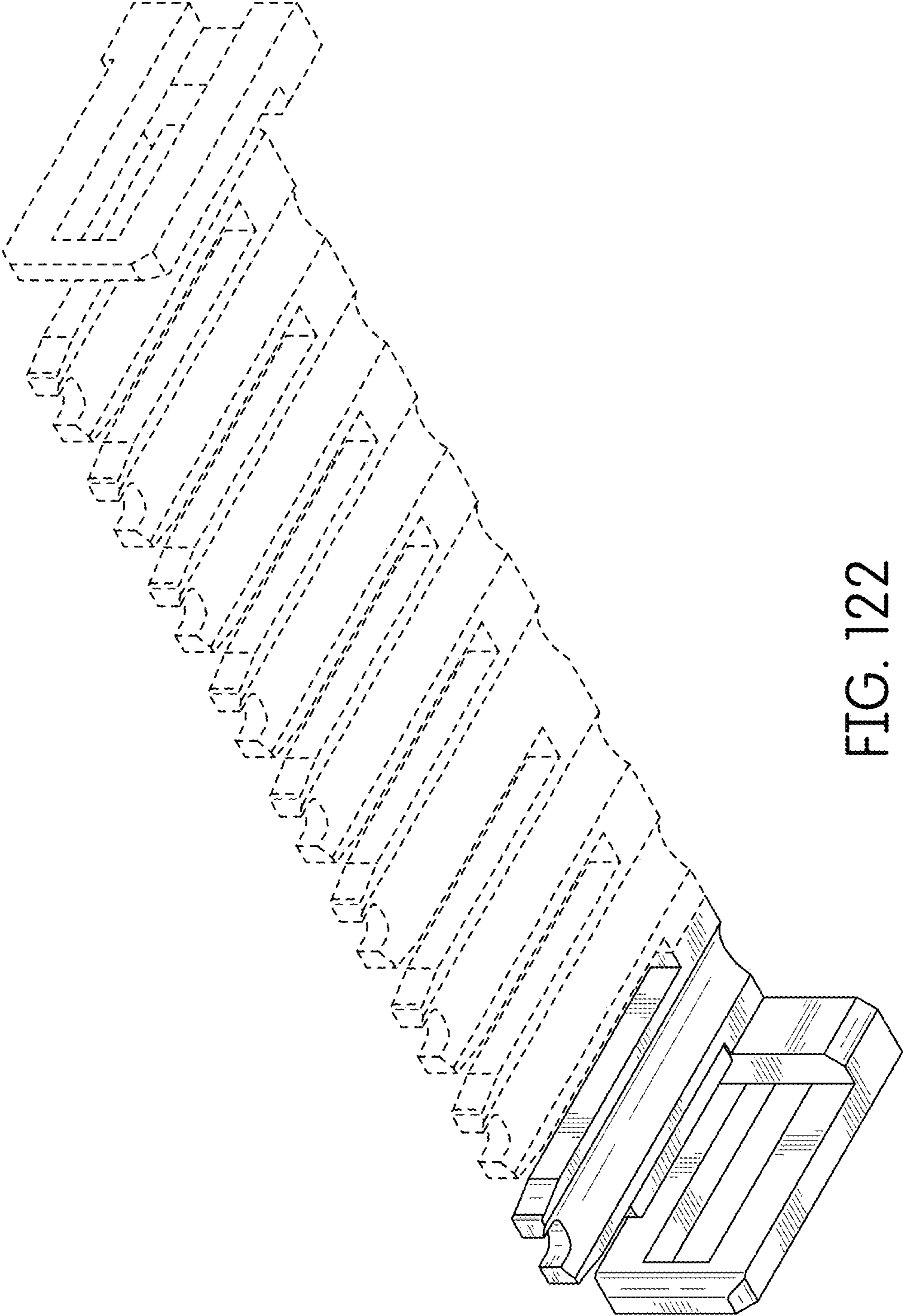


FIG. 122

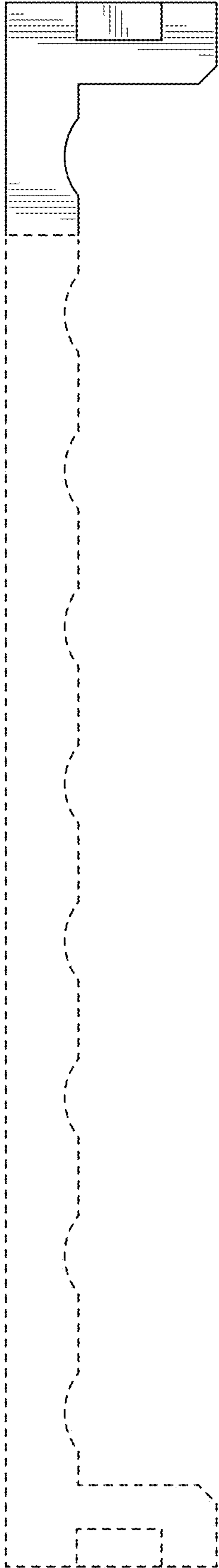


FIG. 123

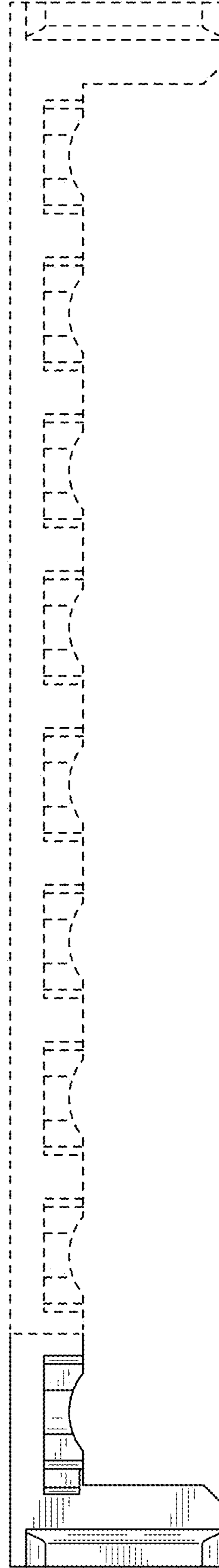


FIG. 124



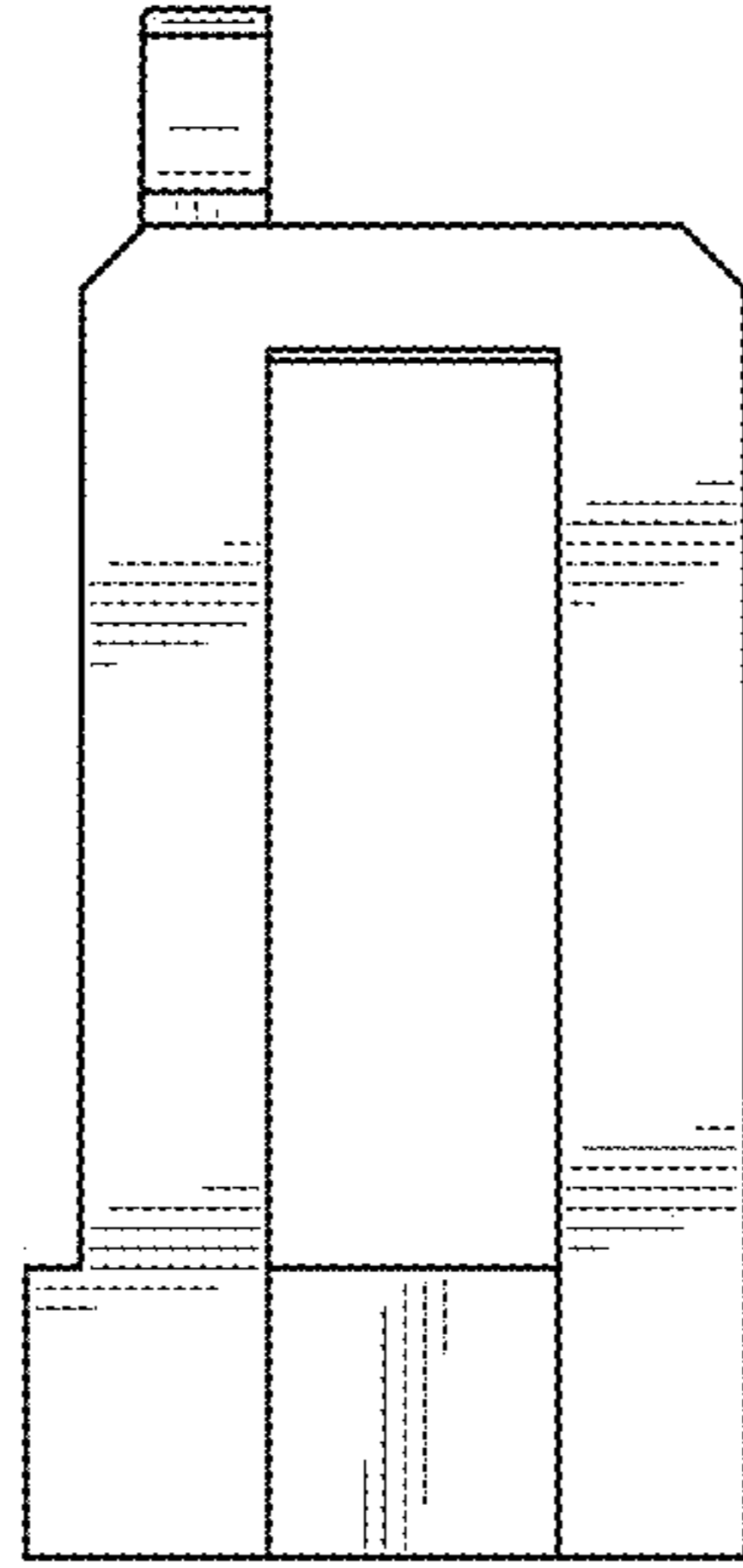


FIG. 126

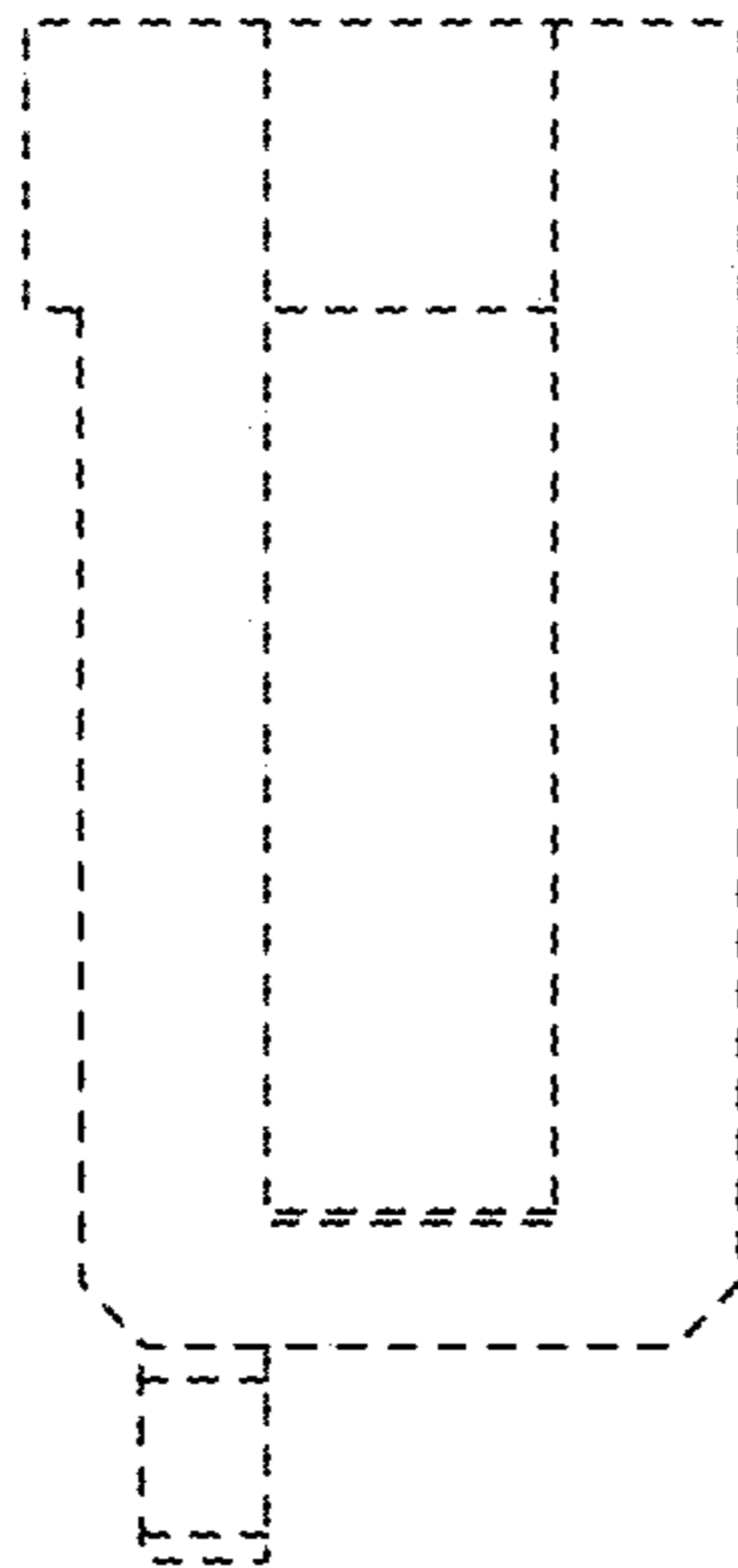


FIG. 125

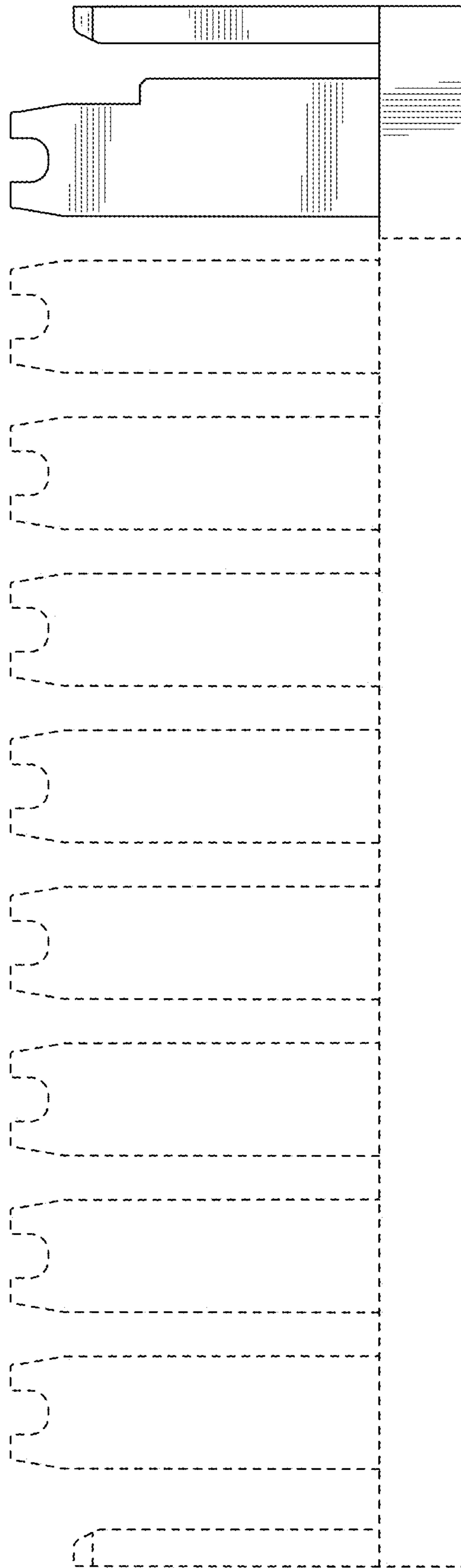


FIG. 127

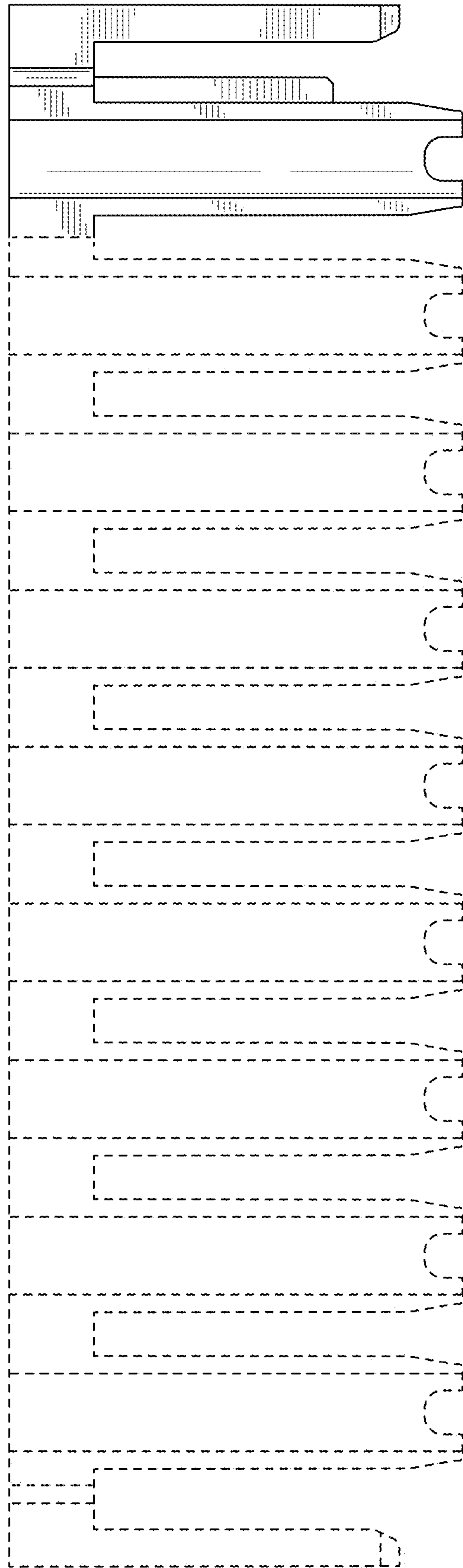


FIG. 128

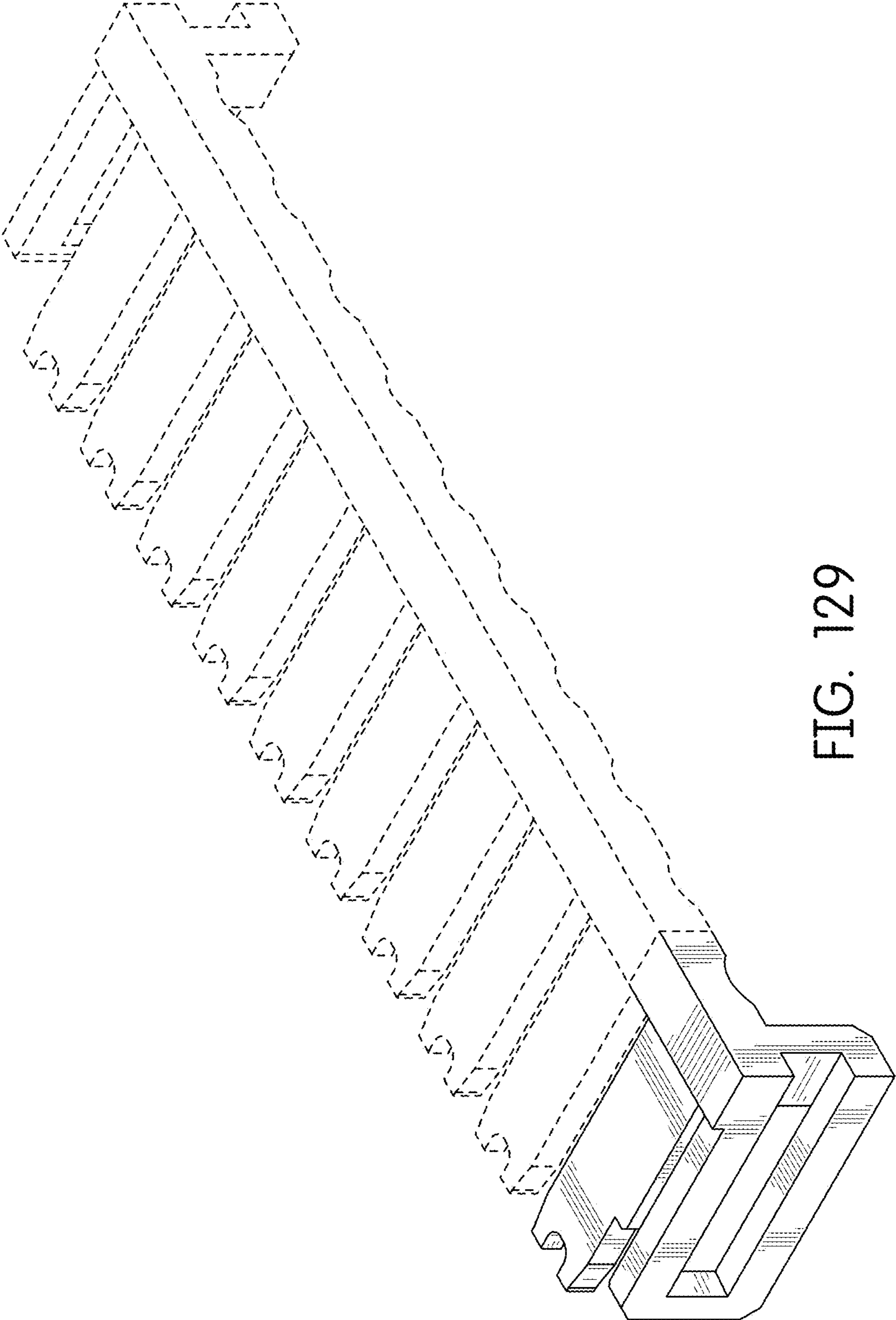


FIG. 129

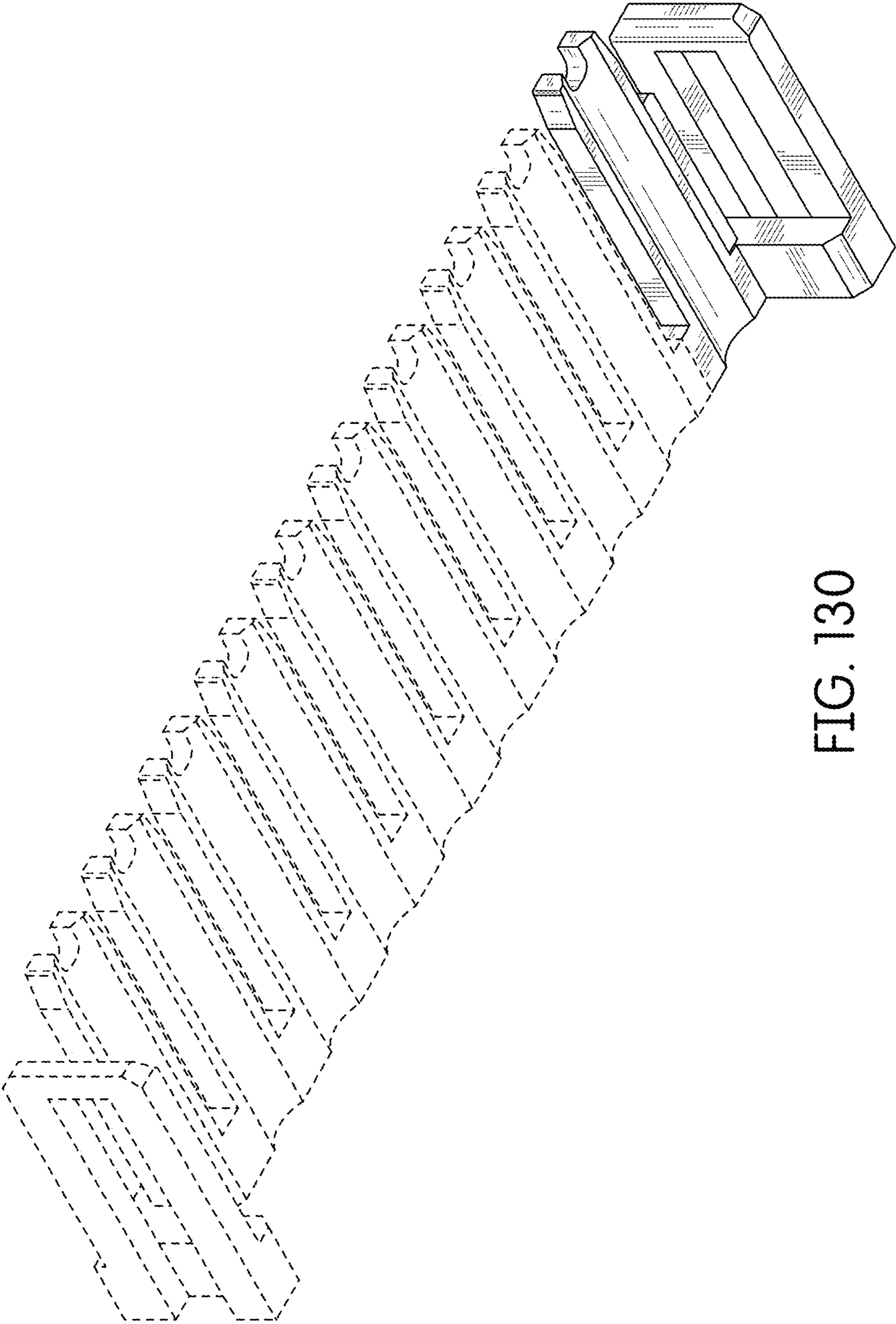


FIG. 130

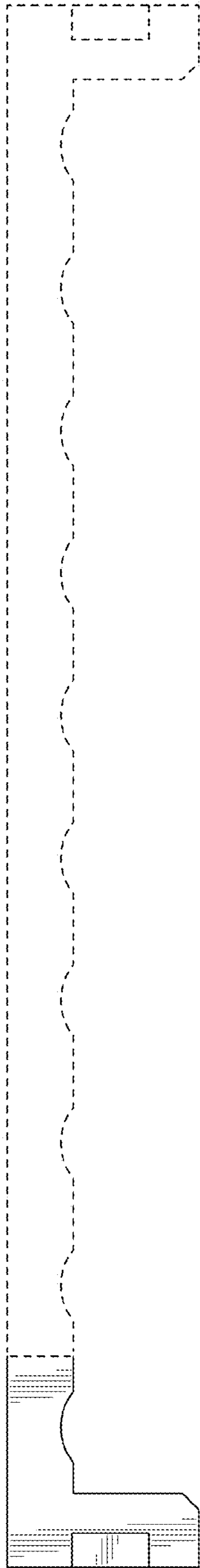


FIG. 131

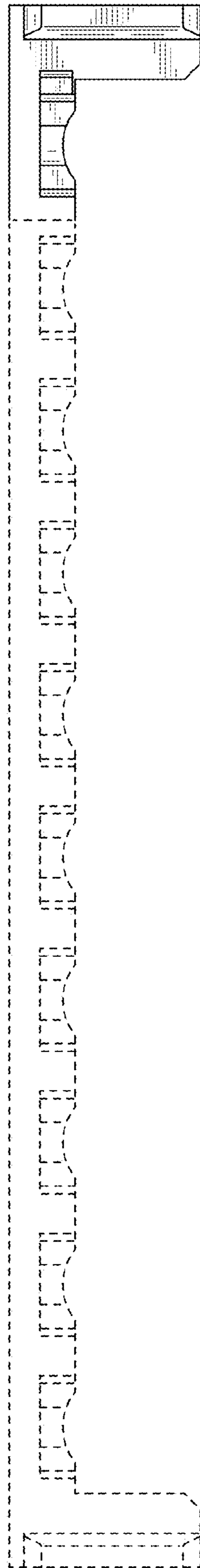


FIG. 132



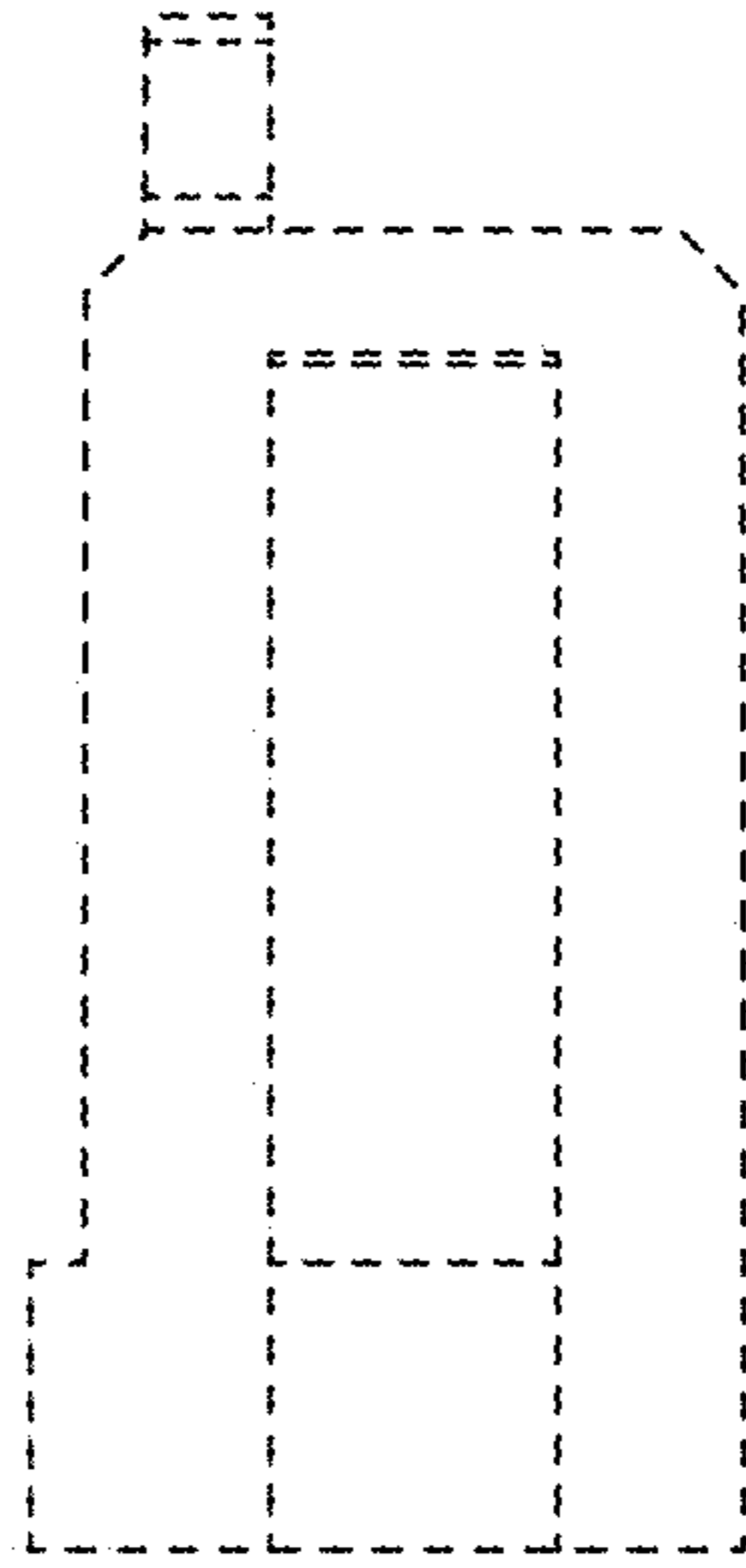


FIG. 134

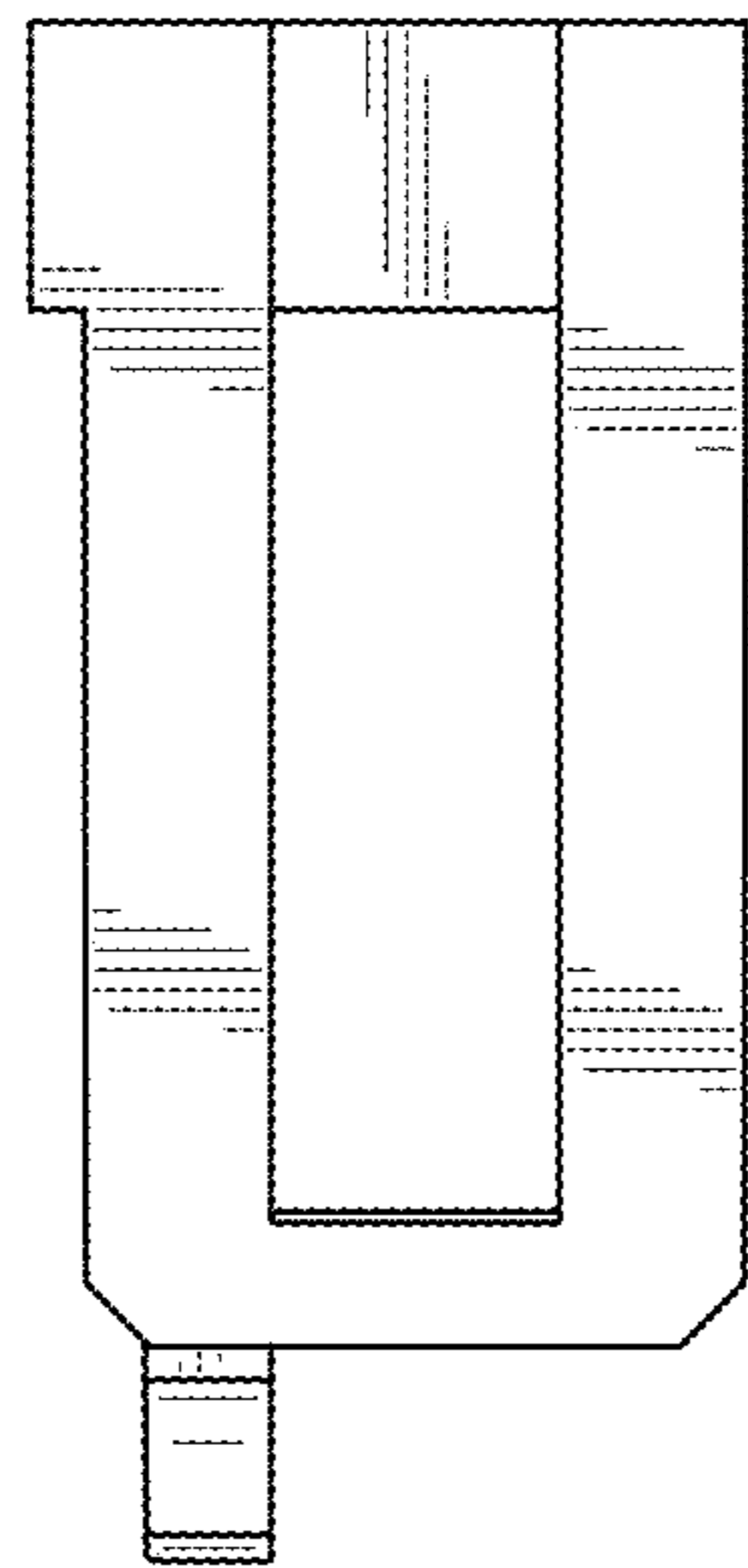


FIG. 133

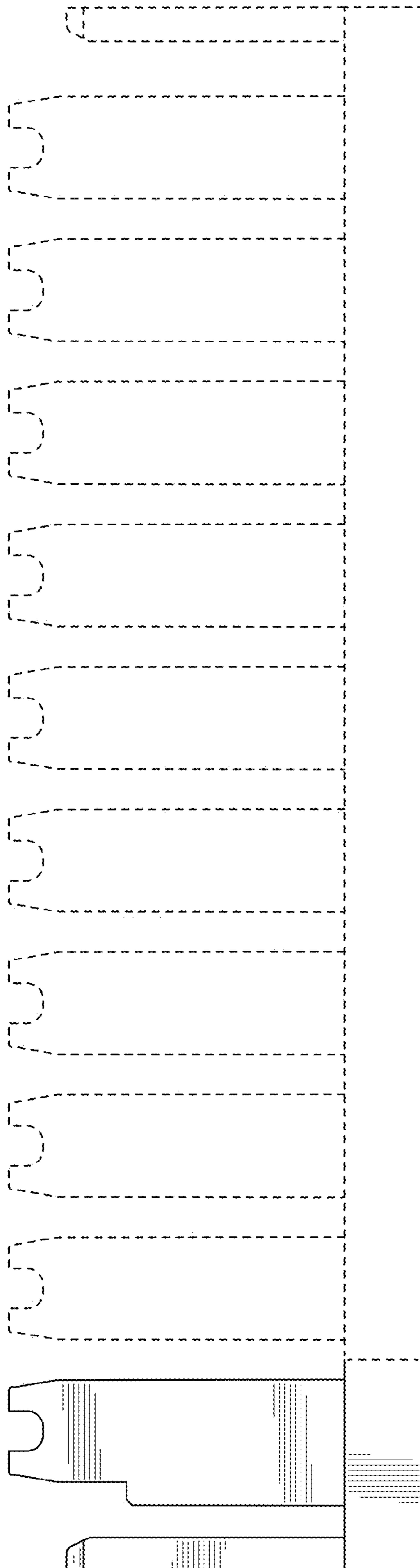


FIG. 135

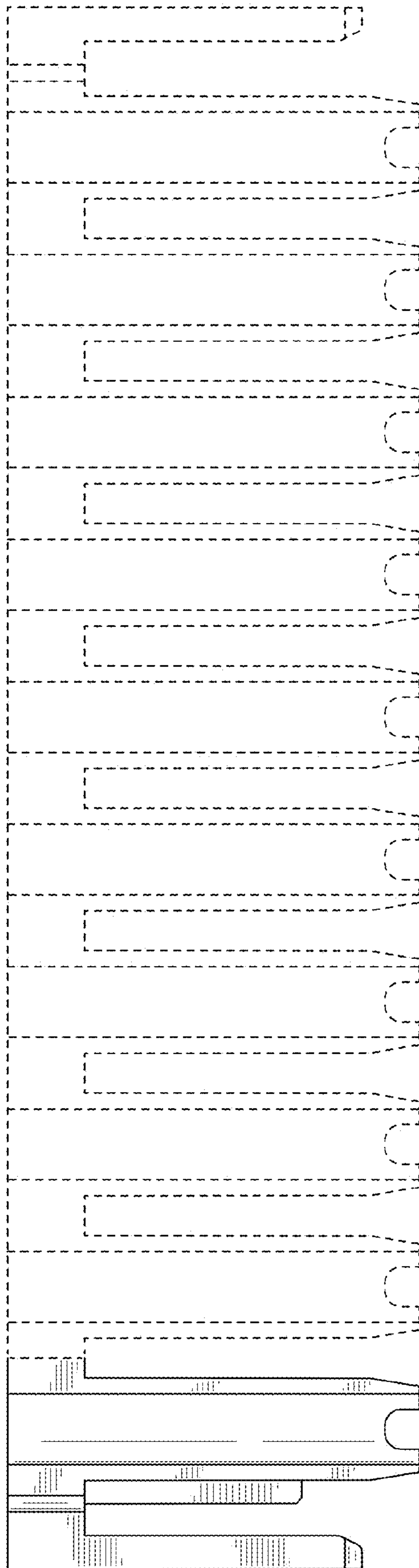


FIG. 136

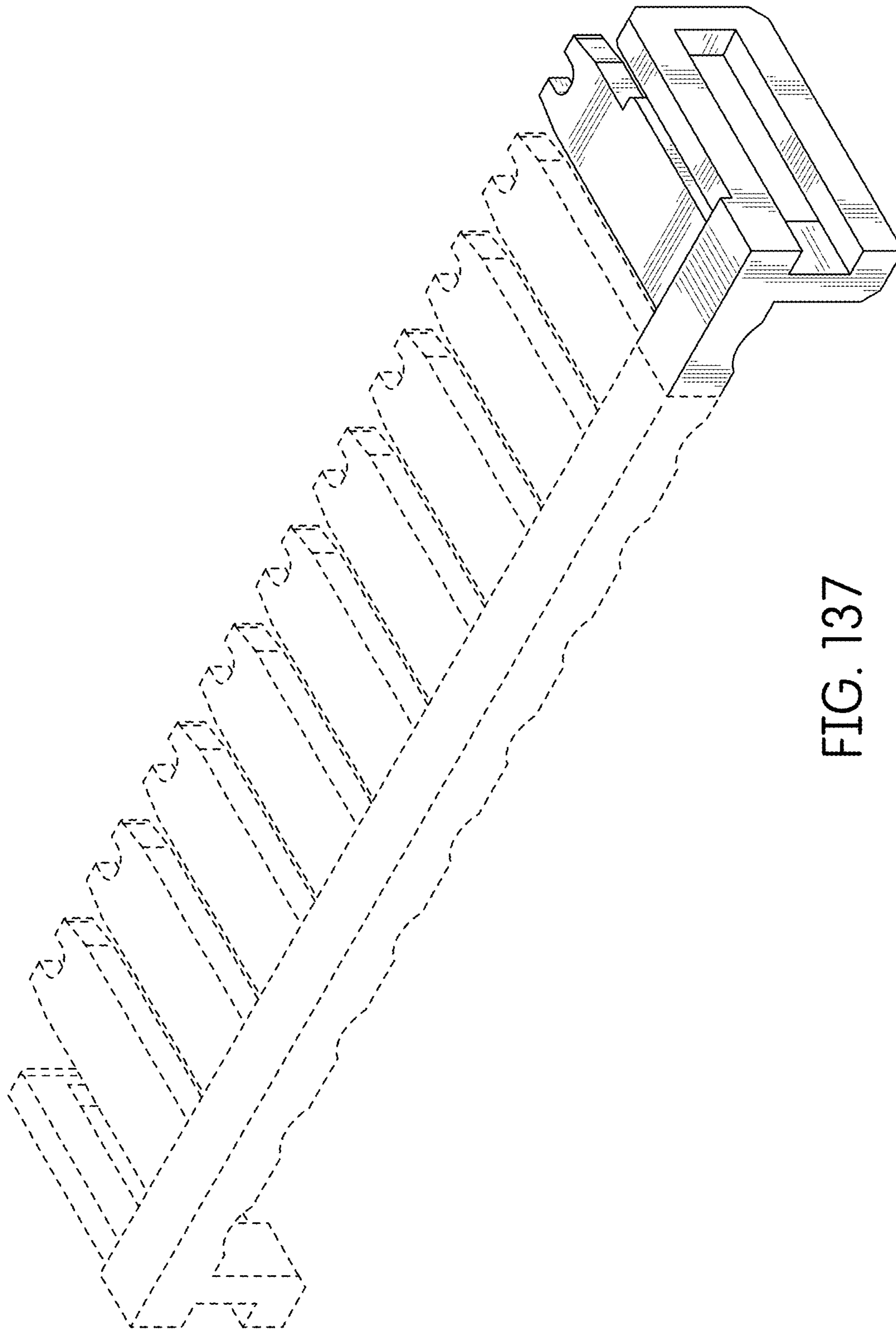


FIG. 137

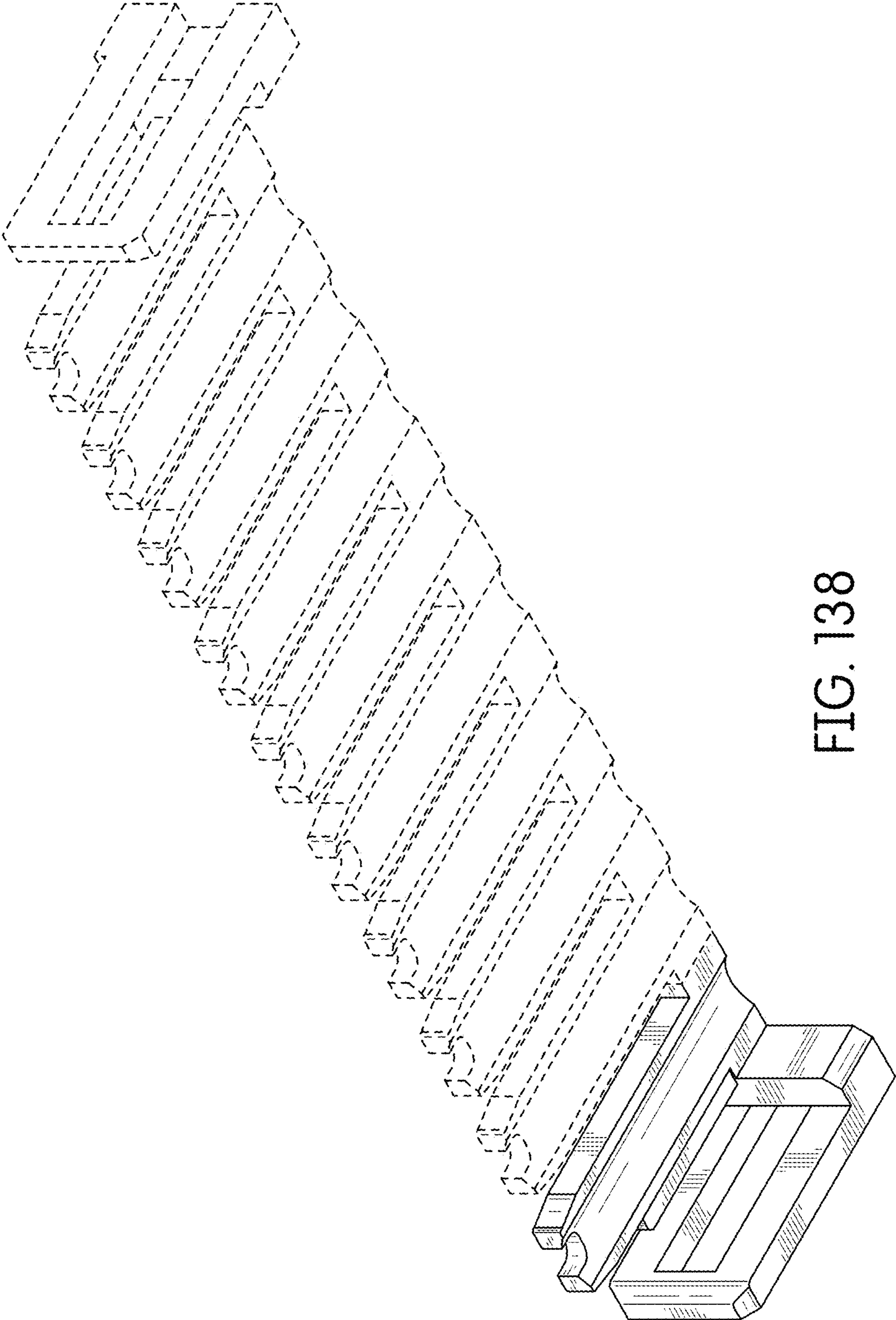


FIG. 138

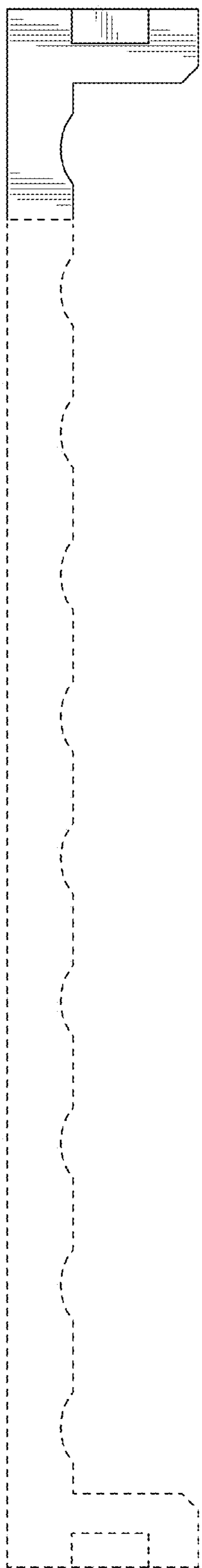


FIG. 139

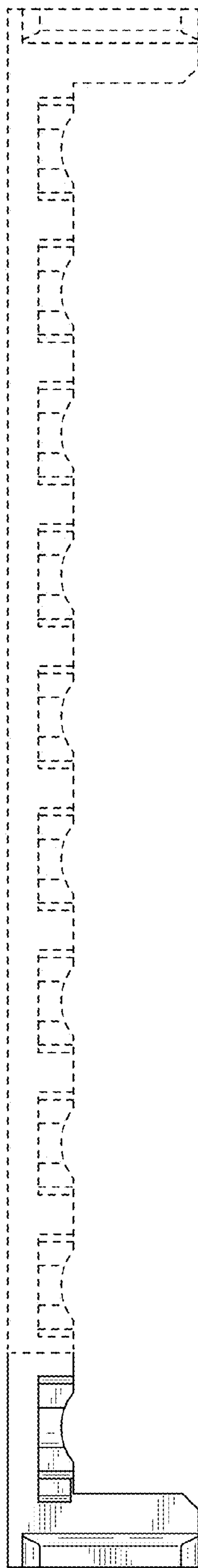


FIG. 140



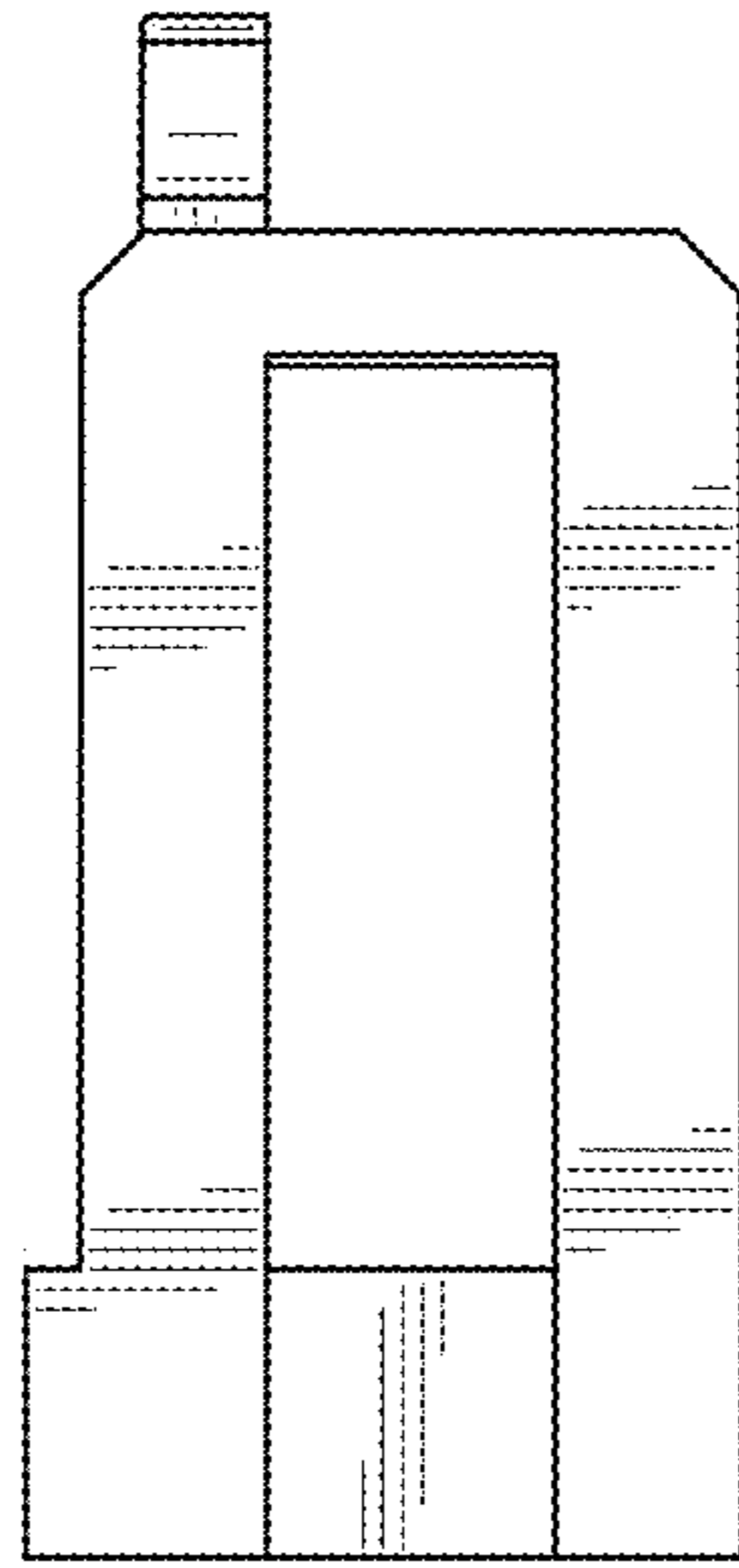


FIG. 142

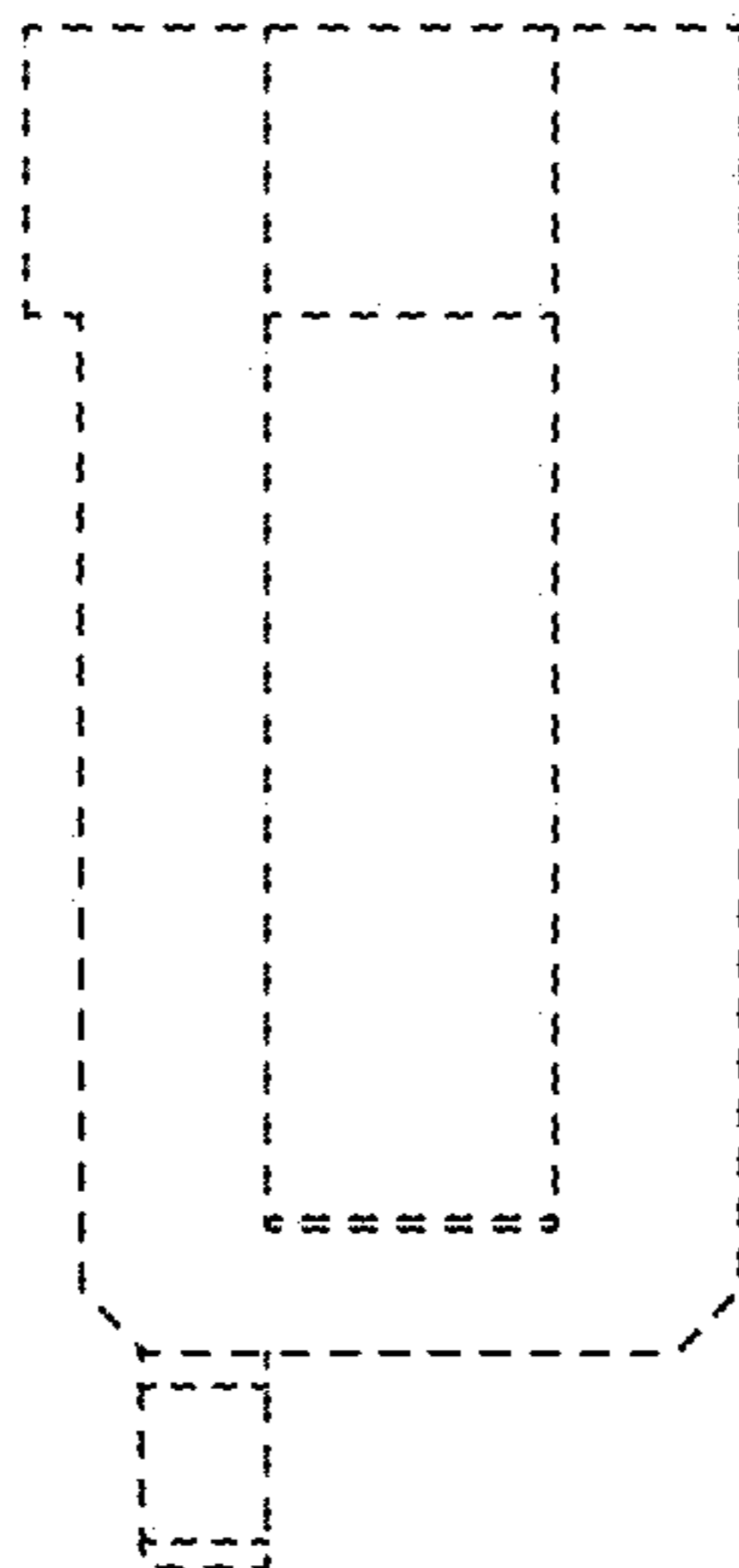


FIG. 141

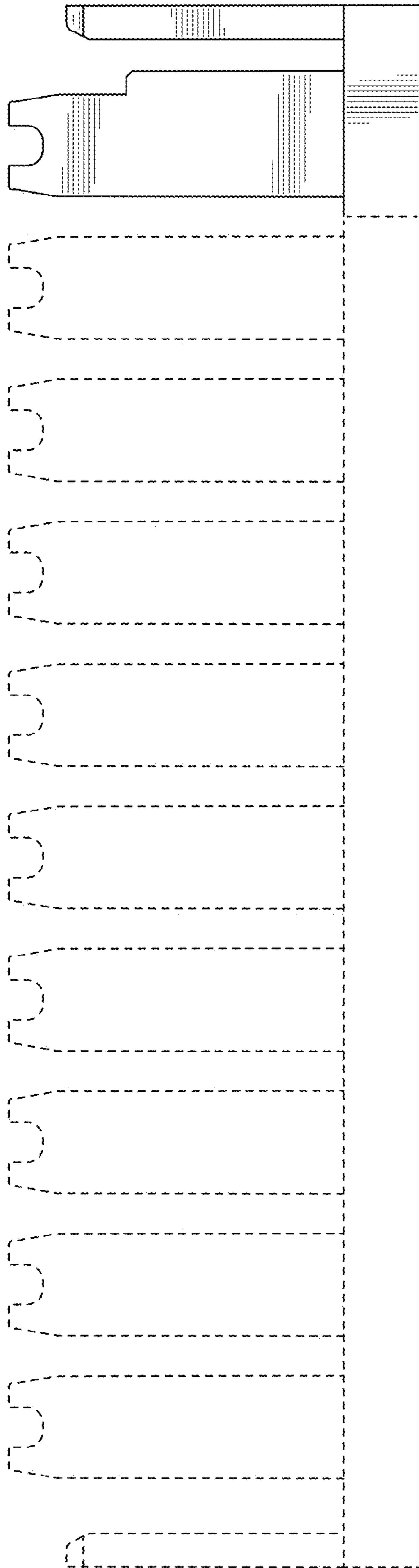


FIG. 143

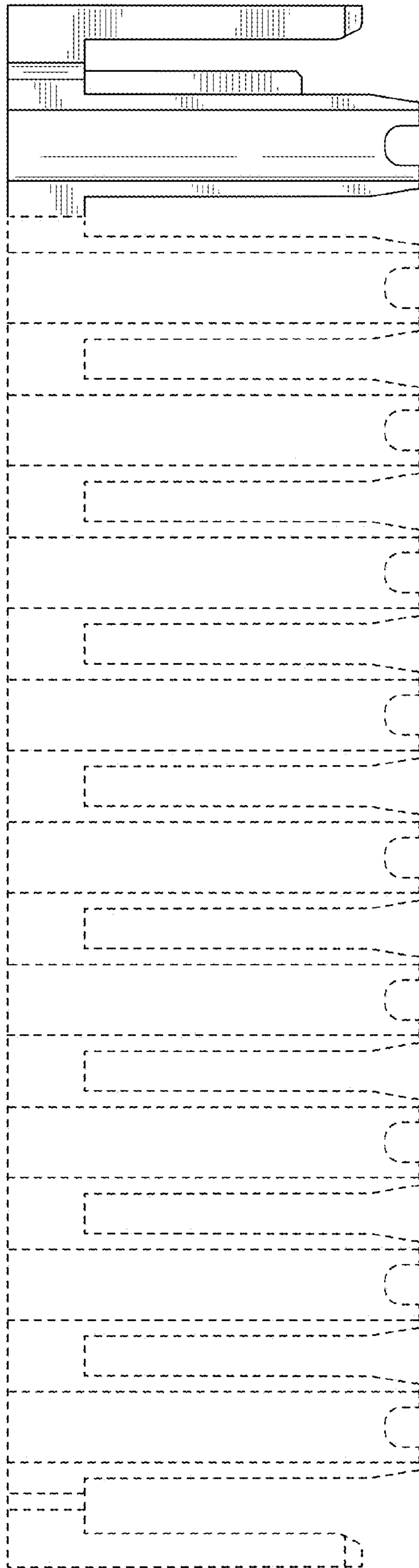


FIG. 144