



US00D902858S

(12) **United States Design Patent**
Sun

(10) **Patent No.:** **US D902,858 S**

(45) **Date of Patent:** **** Nov. 24, 2020**

(54) **BATTERY BOX**

(71) Applicant: **Yichun Sun**, Ganzhou (CN)

(72) Inventor: **Yichun Sun**, Ganzhou (CN)

(**) Term: **15 Years**

(21) Appl. No.: **29/738,496**

(22) Filed: **Jun. 18, 2020**

(51) **LOC (12) Cl.** **13-02**

(52) **U.S. Cl.**
USPC **D13/119**

(58) **Field of Classification Search**
USPC D13/102–106, 110, 118–119, 184, 199,
D13/152; D3/273, 274, 293, 294
CPC Y02E 60/10; H01M 2/02; H01M 2/022;
H01M 2/0202; H01M 2/0207; H01M
2/0212; H01M 2/1016; H01M 2/105;
H01M 2/1061; H01M 2/06; H01M 2/10;
H01M 2/1033; H01M 2/1027; H01M
2/1022; H01M 10/425; H02G 3/081;
H02G 3/08; H02G 3/086; H02G 3/088
See application file for complete search history.

(56) **References Cited**

U.S. PATENT DOCUMENTS

D312,244 S *	11/1990	Collins	D13/152
D556,683 S *	12/2007	Bonanno	D13/110
D580,349 S *	11/2008	Haydvoegel	D13/103
D603,789 S *	11/2009	Hallee	D13/103
D722,951 S *	2/2015	Parsons	D13/103
D759,590 S *	6/2016	Wang	D13/119
D777,104 S *	1/2017	Liu	D13/119
9,893,330 B2 *	2/2018	Lam	H01M 10/425
D821,968 S *	7/2018	Zhao	D13/103

D825,464 S *	8/2018	Xie	D13/119
D825,465 S *	8/2018	Deng	D13/119
D826,874 S *	8/2018	Mench	D13/184
D826,875 S *	8/2018	Mench	D13/184
D853,320 S *	7/2019	Guo	D13/103
D861,606 S *	10/2019	Yang	D13/119
D871,339 S *	12/2019	Yang	D13/119
D872,022 S *	1/2020	Yang	D13/119
D879,040 S *	3/2020	Moule	D13/133
D881,812 S *	4/2020	Yang	D13/119
D884,632 S *	5/2020	Xie	D13/119
D885,326 S *	5/2020	Zhang	D13/103
D886,045 S *	6/2020	Deng	D13/103
D886,738 S *	6/2020	Huang	D13/119

* cited by examiner

Primary Examiner — Rosemary K Tarcza

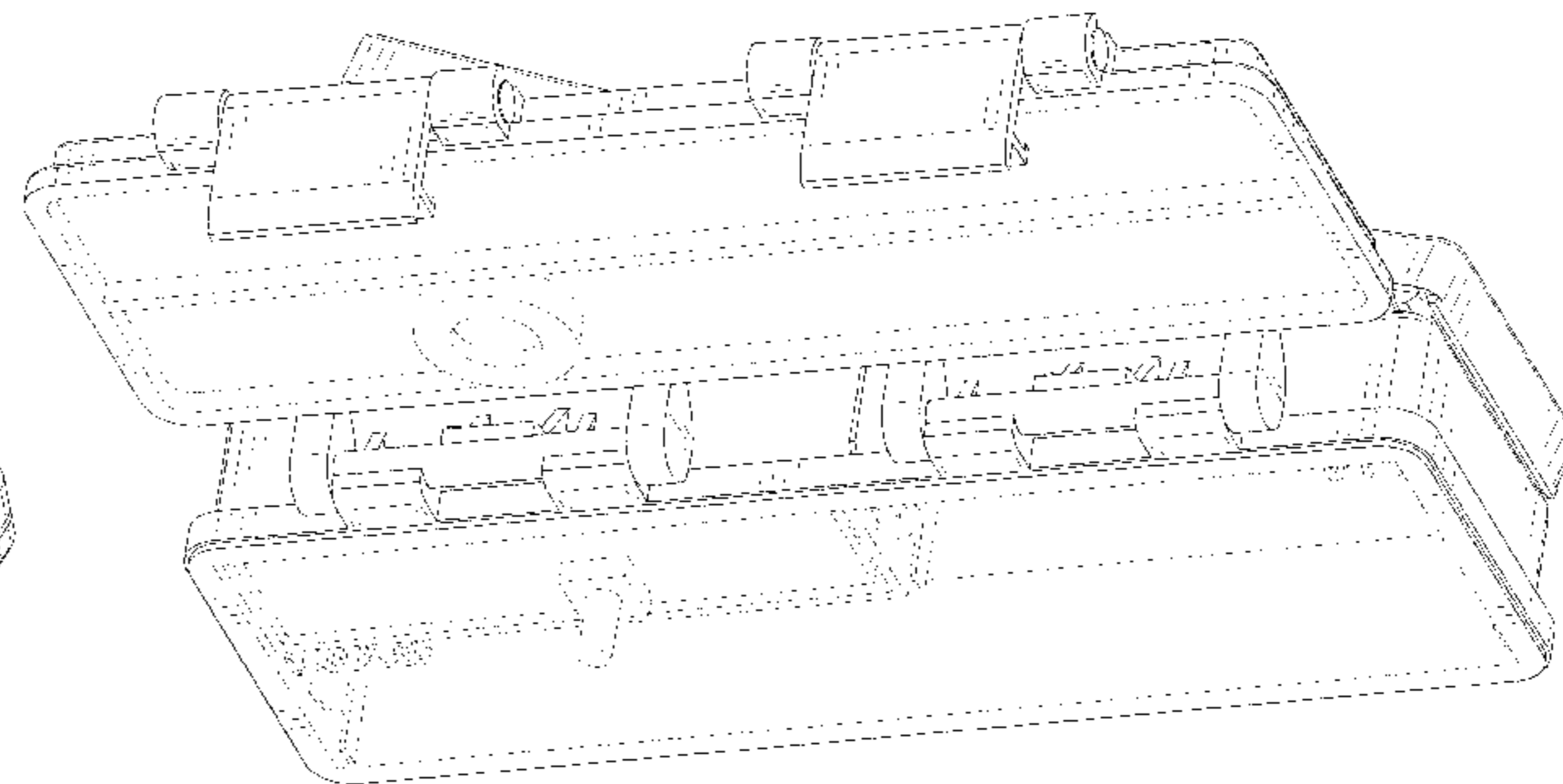
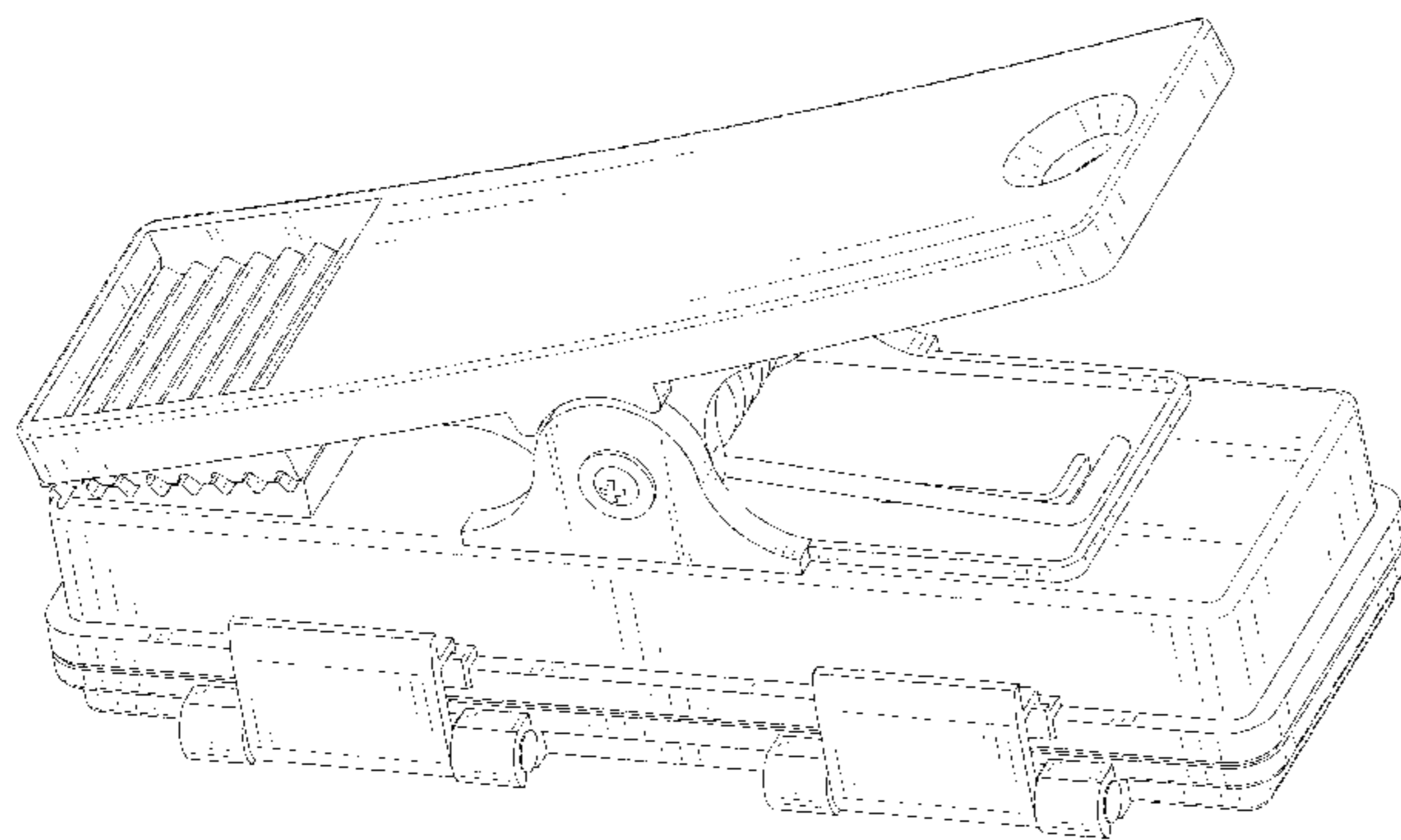
(57) **CLAIM**

The ornamental design for a battery box, as shown and described.

DESCRIPTION

FIG. 1 is a perspective view of a battery box showing my new design;
FIG. 2 is another perspective view thereof;
FIG. 3 is a front elevational view thereof;
FIG. 4 is a rear elevational view thereof;
FIG. 5 is a left side elevational view thereof;
FIG. 6 is a right side elevational view thereof;
FIG. 7 is a top plan view thereof;
FIG. 8 is a bottom plan view thereof; and,
FIG. 9 is a perspective view of the battery box where the battery box is in an open state.
The broken lines in the drawings depict portions of the battery box that form no part of the claimed design.

1 Claim, 9 Drawing Sheets



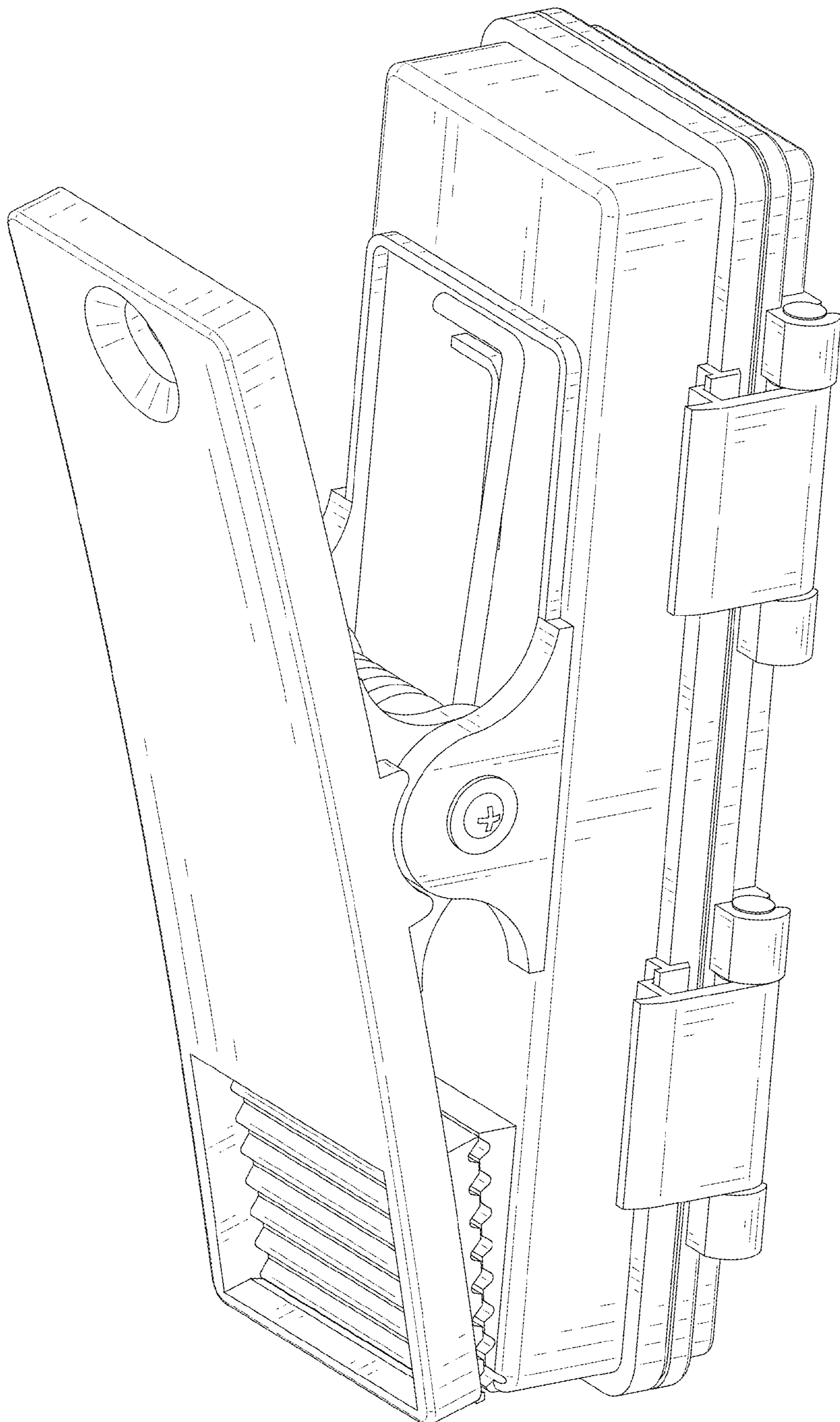


FIG. 1

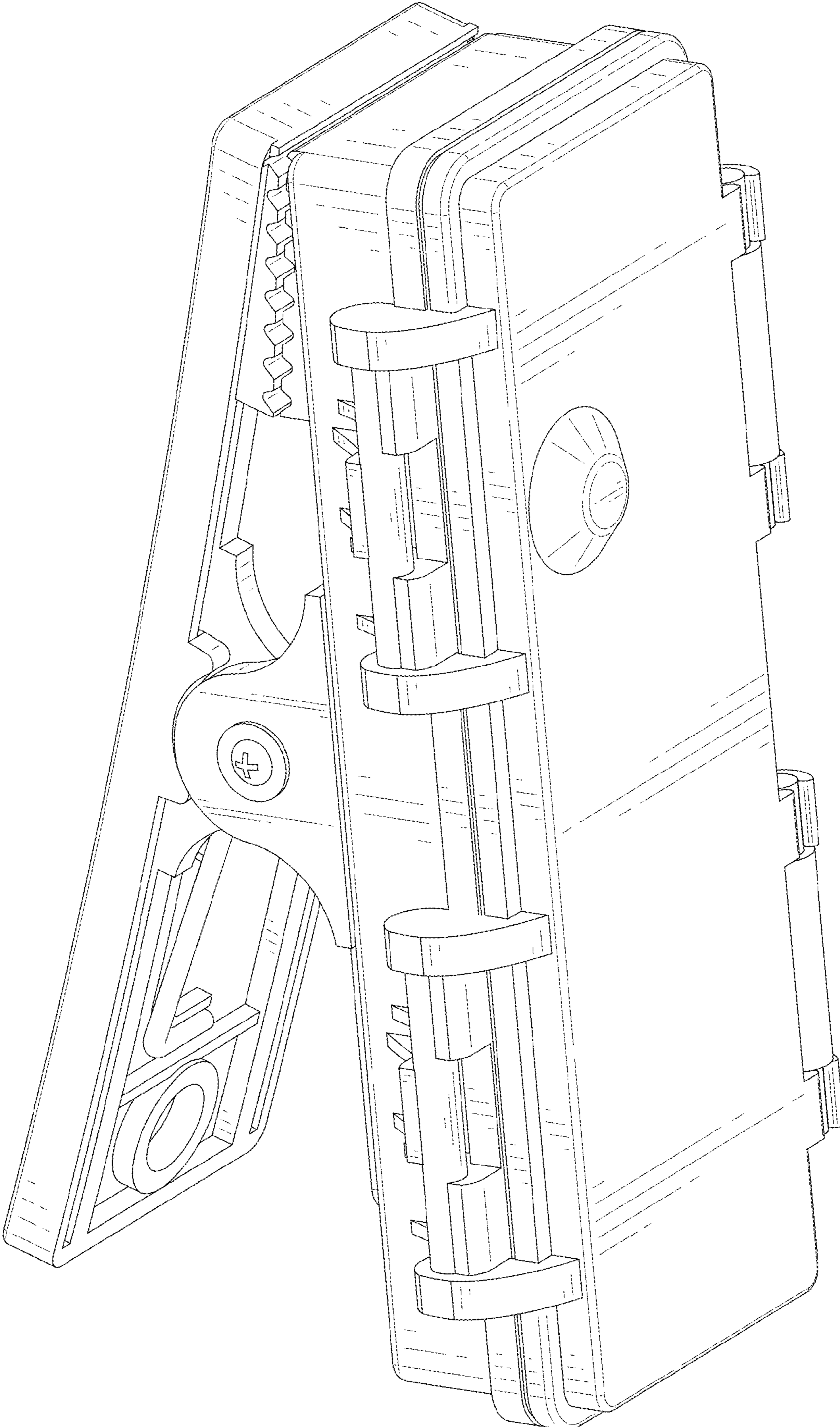


FIG. 2

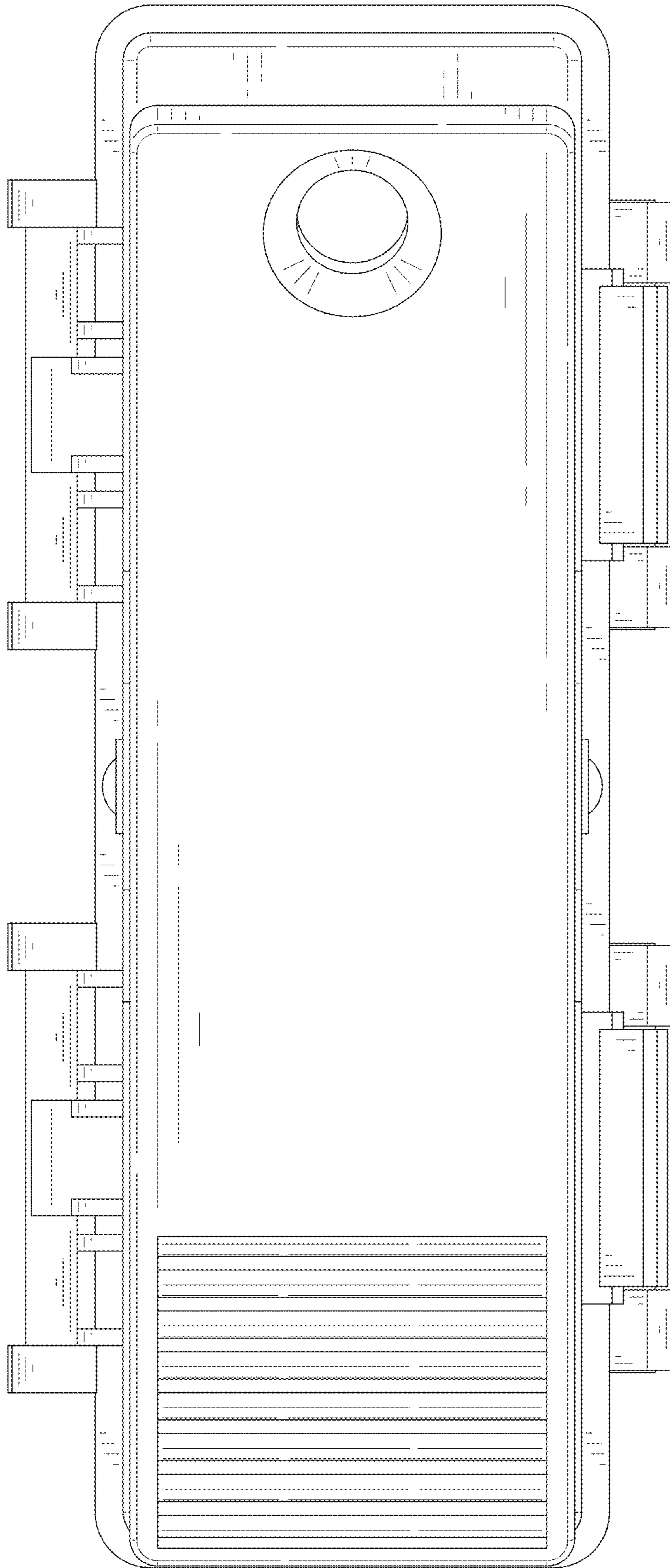


FIG. 3

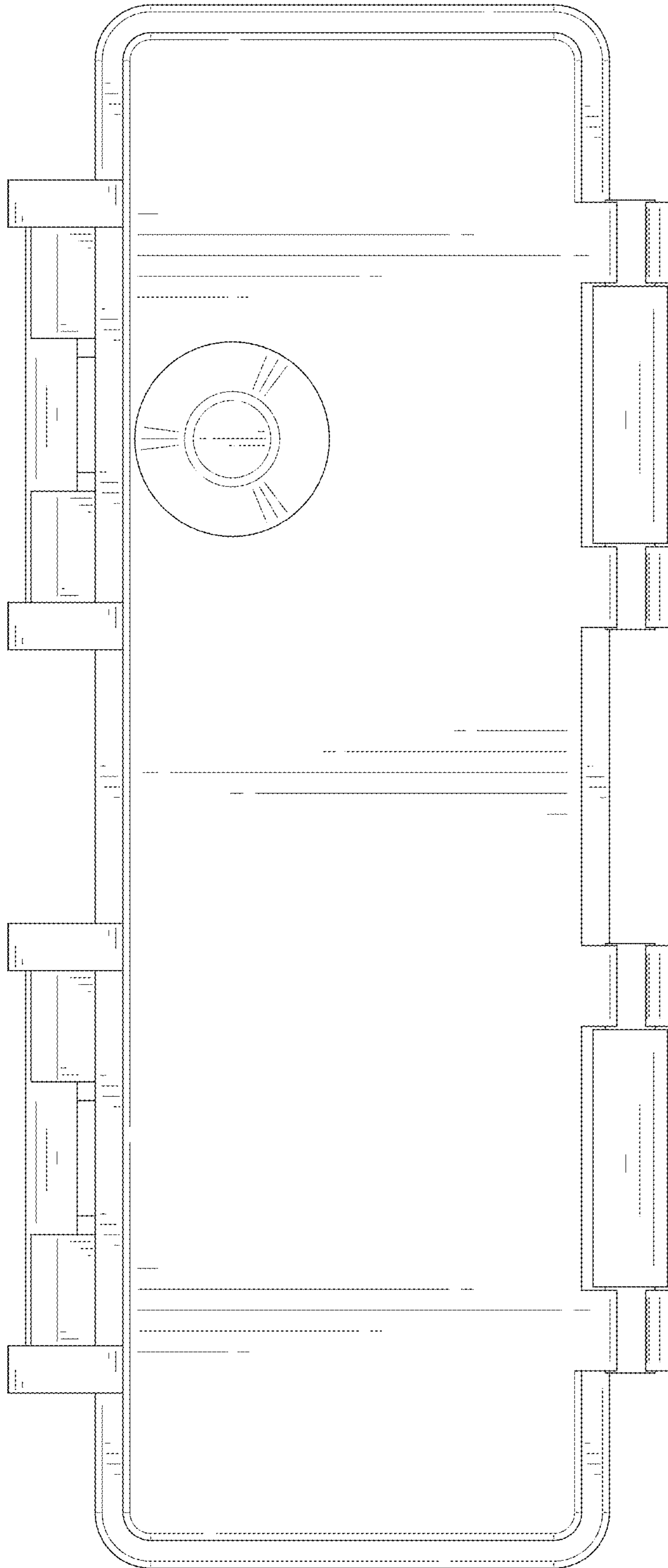


FIG. 4

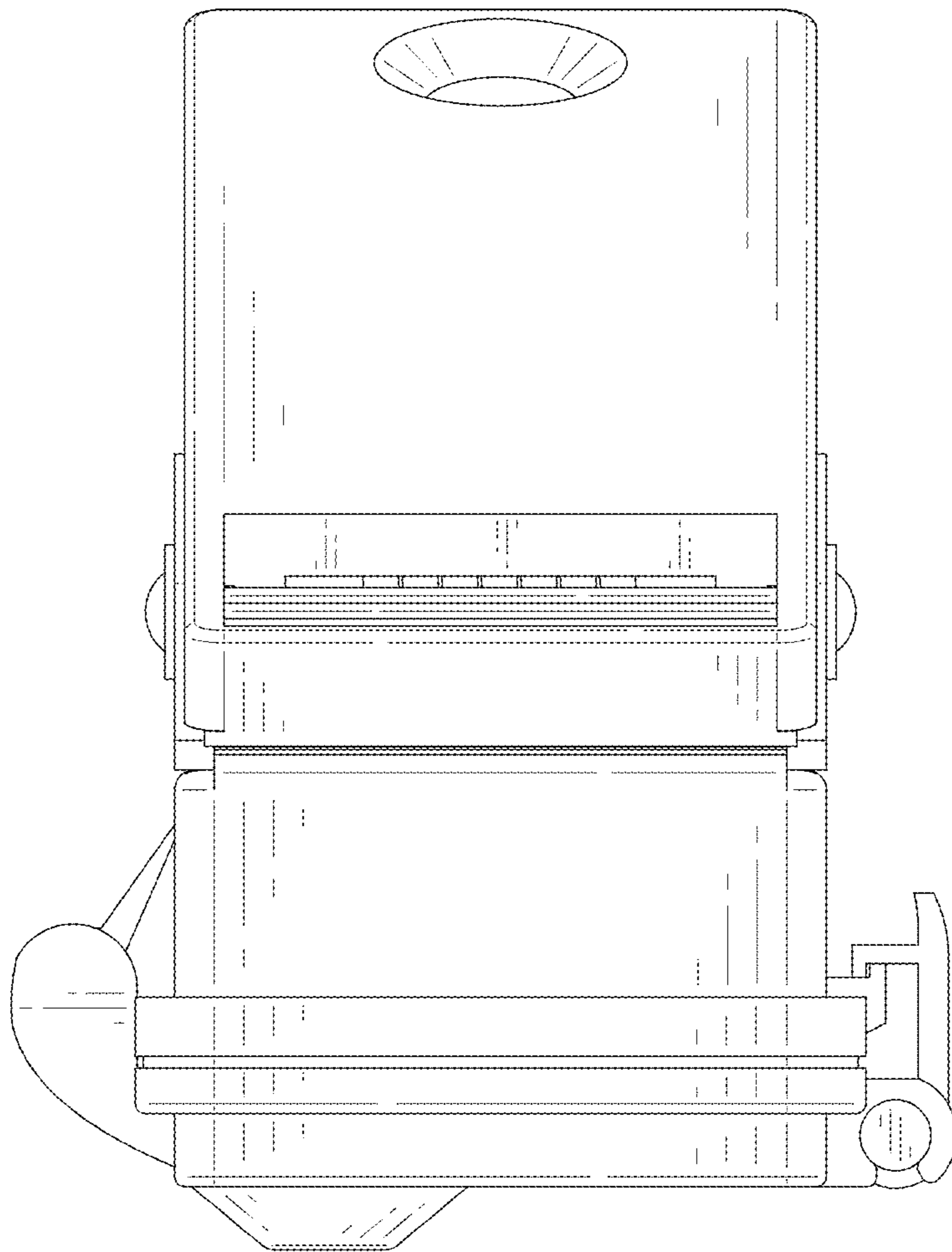


FIG. 5

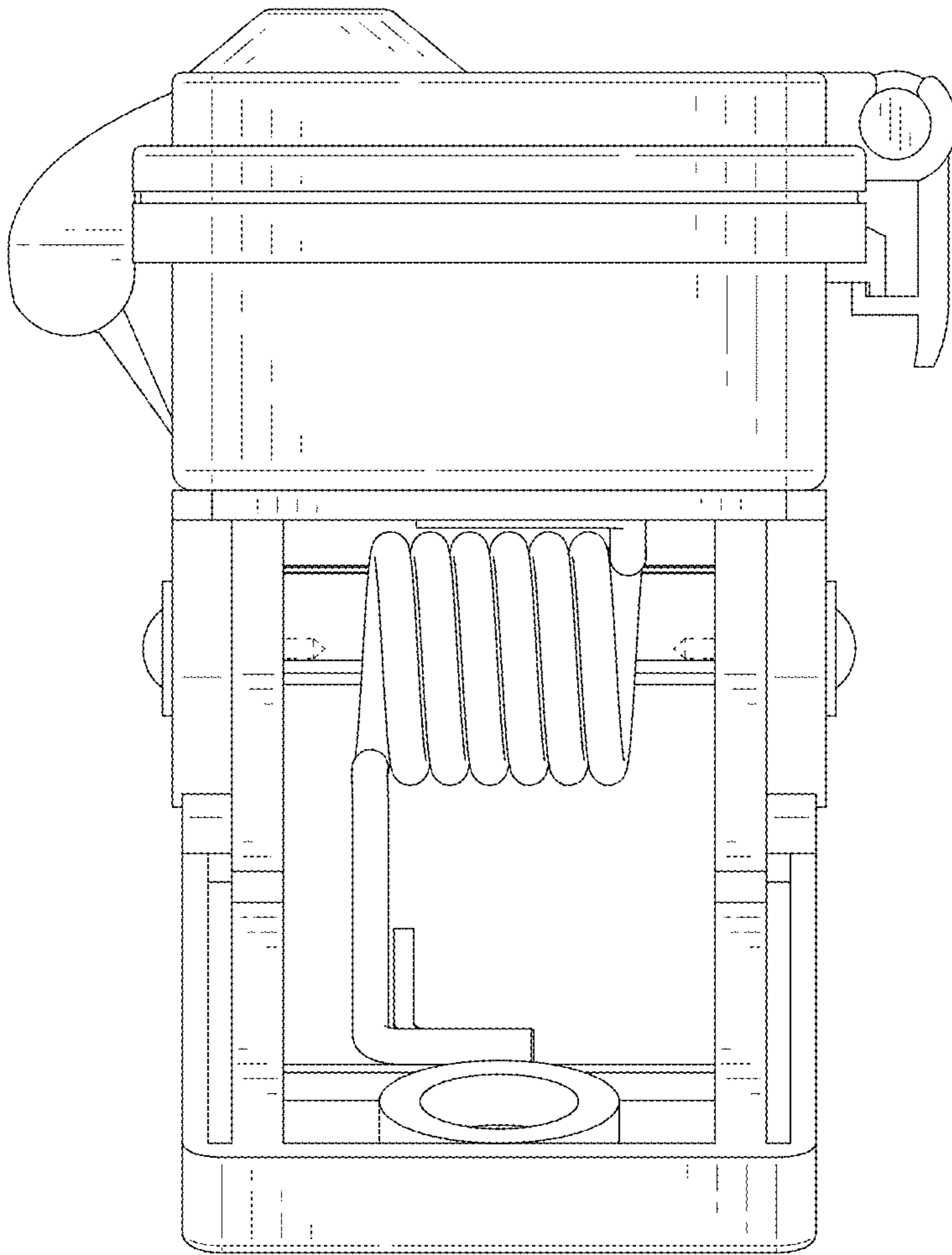


FIG. 6

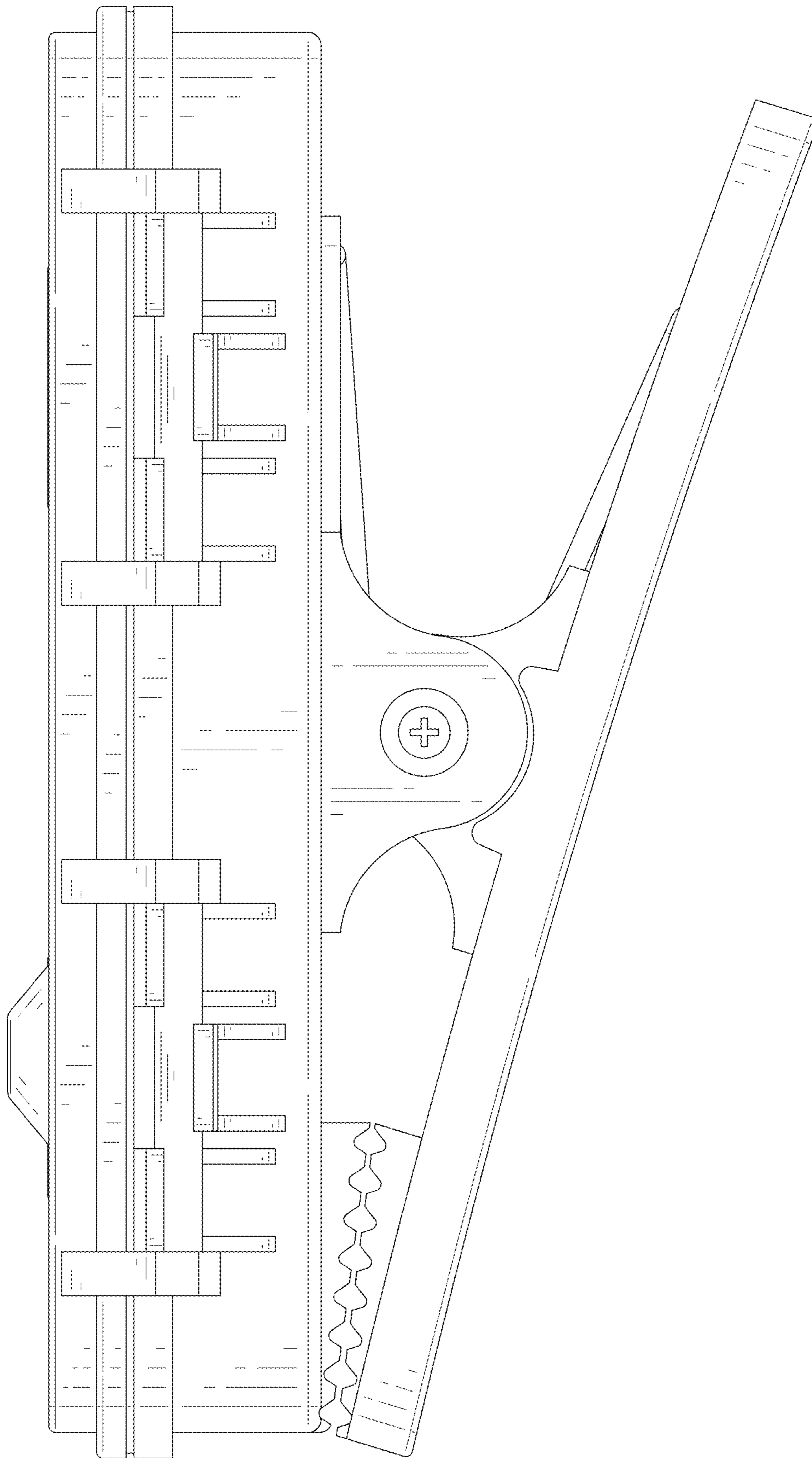


FIG. 7

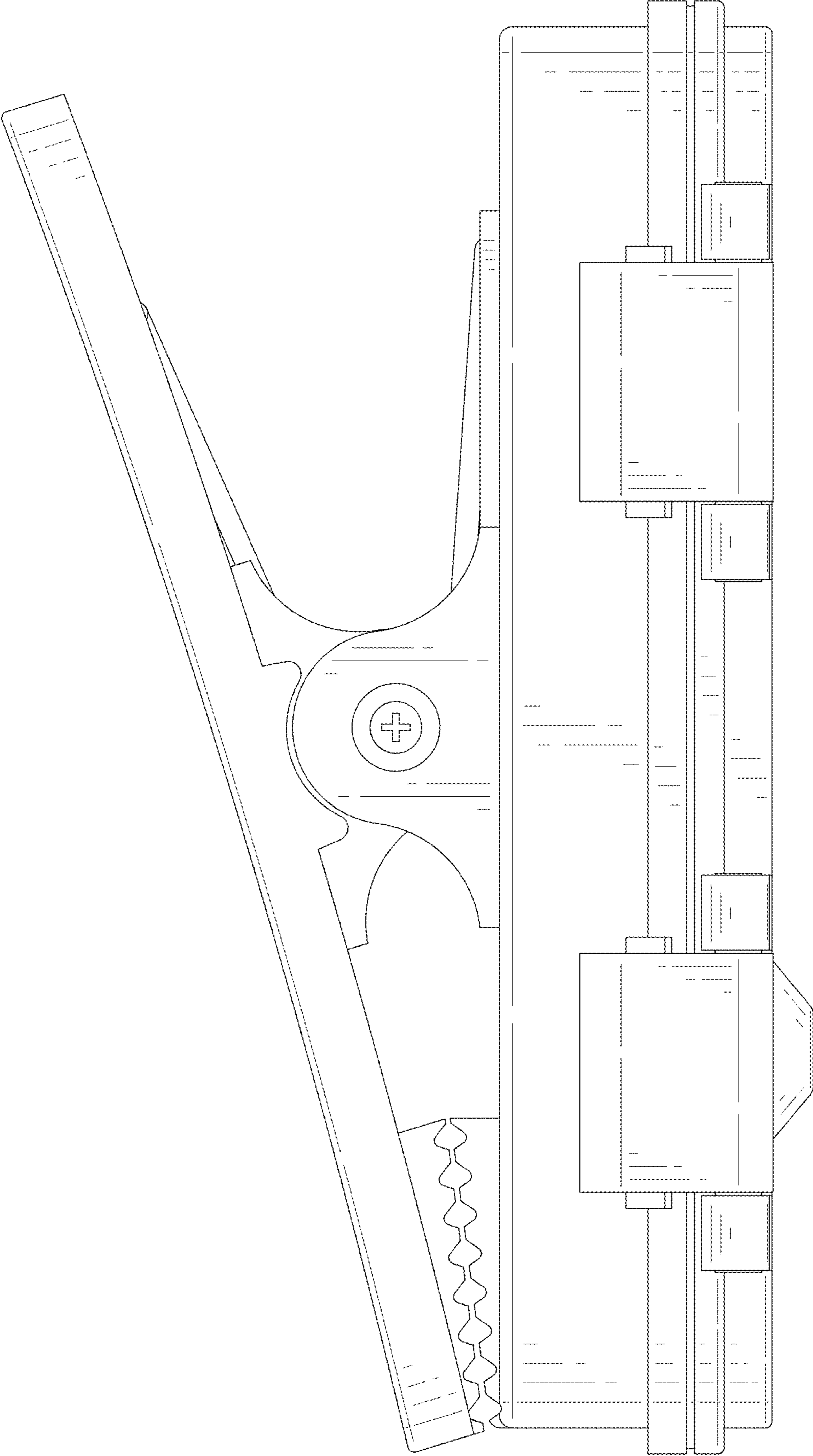


FIG. 8

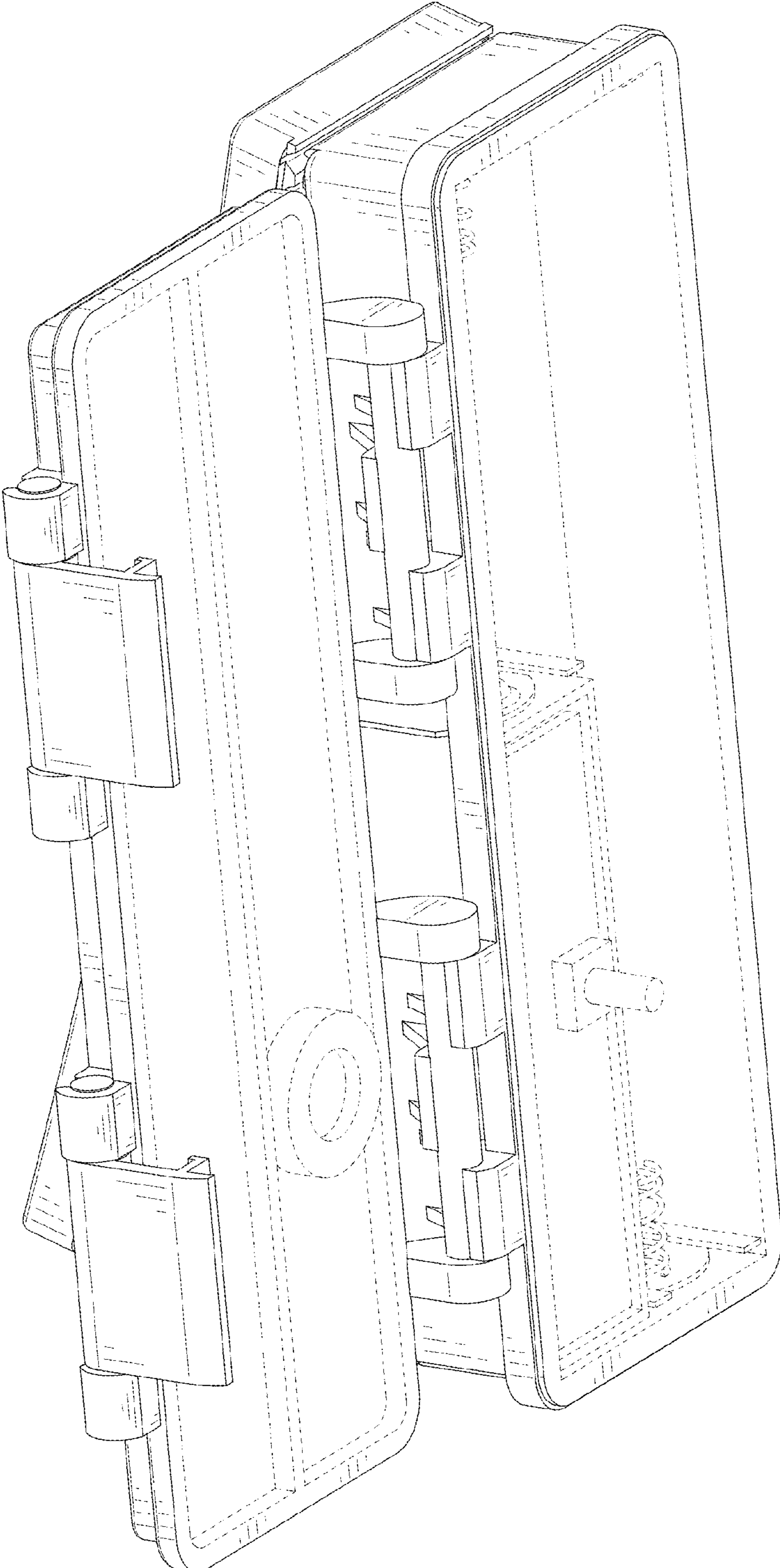


FIG. 9