



US00D902857S

(12) **United States Design Patent**
Jia

(10) **Patent No.:** **US D902,857 S**

(45) **Date of Patent:** **** Nov. 24, 2020**

(54) **POWER SUPPLY**

(71) Applicant: **Hengke Energy (Guangdong) Co., Ltd, Dongguan (CN)**

(72) Inventor: **Dongfa Jia, Shangqiu (CN)**

(**) Term: **15 Years**

(21) Appl. No.: **29/740,081**

(22) Filed: **Jun. 30, 2020**

(30) **Foreign Application Priority Data**

Jun. 13, 2020 (CN) 2020 3 0300458

(51) **LOC (12) Cl.** **13-02**

(52) **U.S. Cl.**
USPC **D13/110**

(58) **Field of Classification Search**
USPC D13/101, 102, 103, 107, 108, 110, 118,
D13/119, 123, 184, 199; D14/251, 253,
D14/432, 434

CPC .. H02J 7/00; H02J 7/027; H02J 7/0042; H02J
7/0045; H02J 7/0047; H02J 7/0048; H02J
7/0063; H02J 7/32; H02J 7/1423; H02M
7/00; H02M 7/003; H01M 2/202; H01M
2/204; H01M 2/1022; H01M 2/342;
H05K 5/0247; H05K 5/003; H05K 5/023;
Y02T 10/7005; Y02T 10/705; Y02T
10/7088

See application file for complete search history.

(56) **References Cited**

U.S. PATENT DOCUMENTS

D469,401 S * 1/2003 Griffey D13/110
D664,499 S * 7/2012 Workman D13/107

D764,403 S * 8/2016 Azuma D13/103
D815,039 S * 4/2018 Wen D13/110
D821,313 S * 6/2018 Yang D13/110
D842,240 S * 3/2019 Lai D13/107
D873,767 S 1/2020 Rao
D875,037 S * 2/2020 Hung D13/107
2012/0025766 A1* 2/2012 Reade H05K 5/023
320/110

OTHER PUBLICATIONS

<https://www.amazon.com/Portable-Charger-Flashlight-Outdoors-Emergency/dp/B088KDG1C> May 13, 2020 (Year: 2020).*

* cited by examiner

Primary Examiner — Derrick E Holland

(74) *Attorney, Agent, or Firm* — ZANIP

(57) **CLAIM**

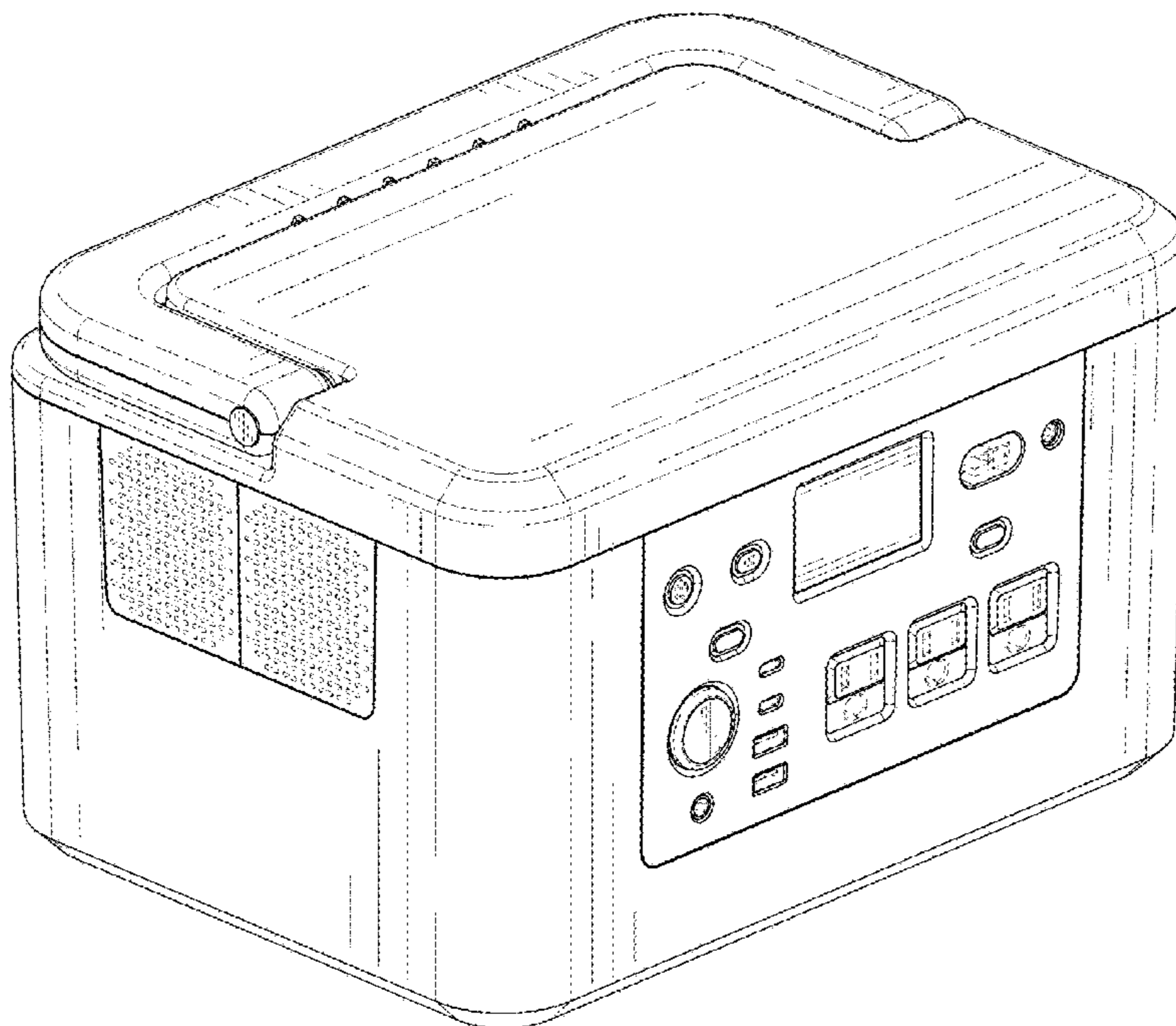
The ornamental design for a power supply, as shown and described.

DESCRIPTION

FIG. 1 is a front and top perspective view of a power supply, showing my new design;
FIG. 2 is a rear and bottom perspective view thereof;
FIG. 3 is a front elevational view thereof;
FIG. 4 is a rear elevational view thereof;
FIG. 5 is a left side elevational view thereof;
FIG. 6 is a right side elevational view thereof;
FIG. 7 is a top plan view thereof; and,
FIG. 8 is a bottom plan view thereof.

The broken lines in the figures illustrate the portions of the power supply that form no part of the claimed design.

1 Claim, 8 Drawing Sheets



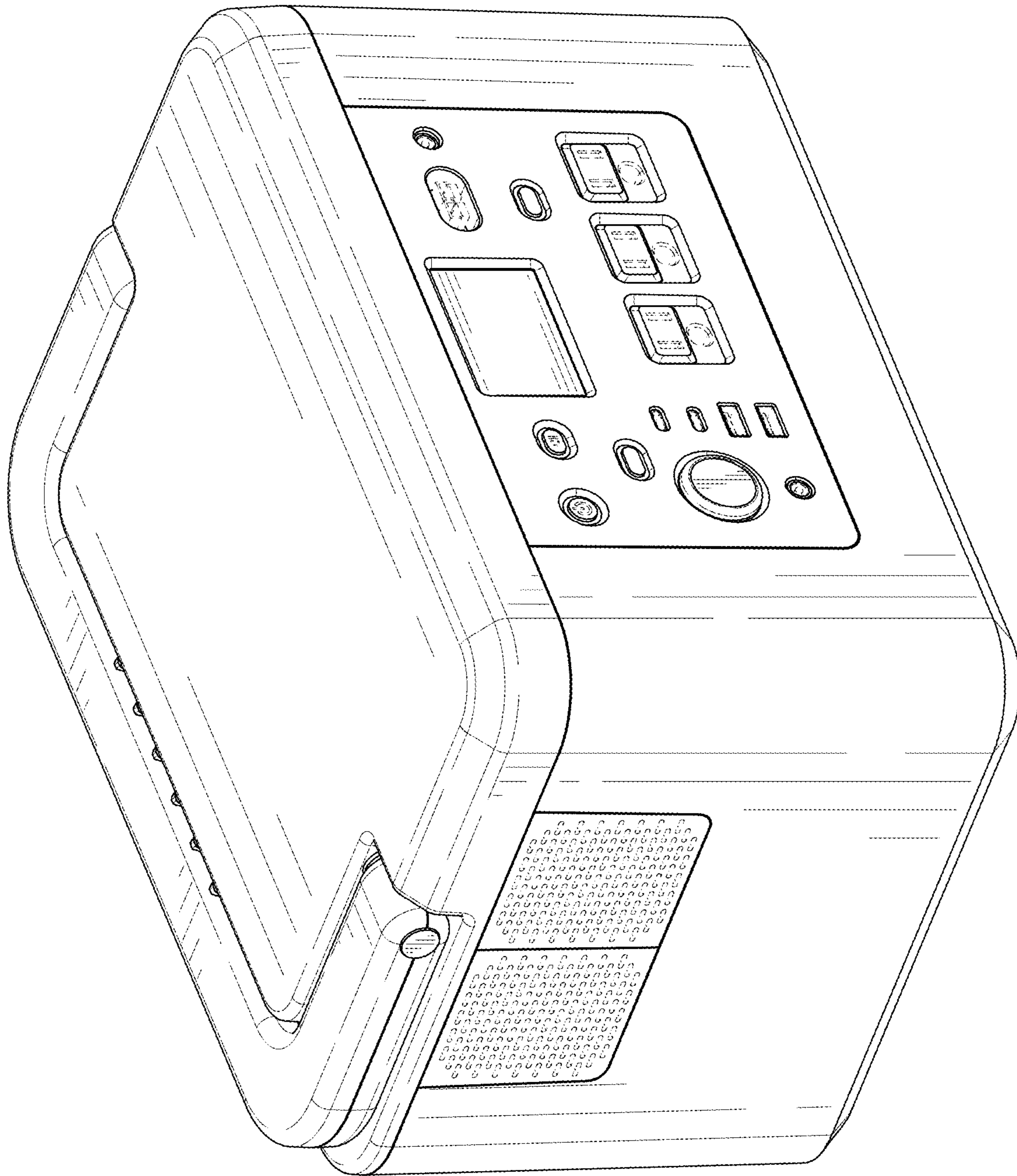


FIG. 1

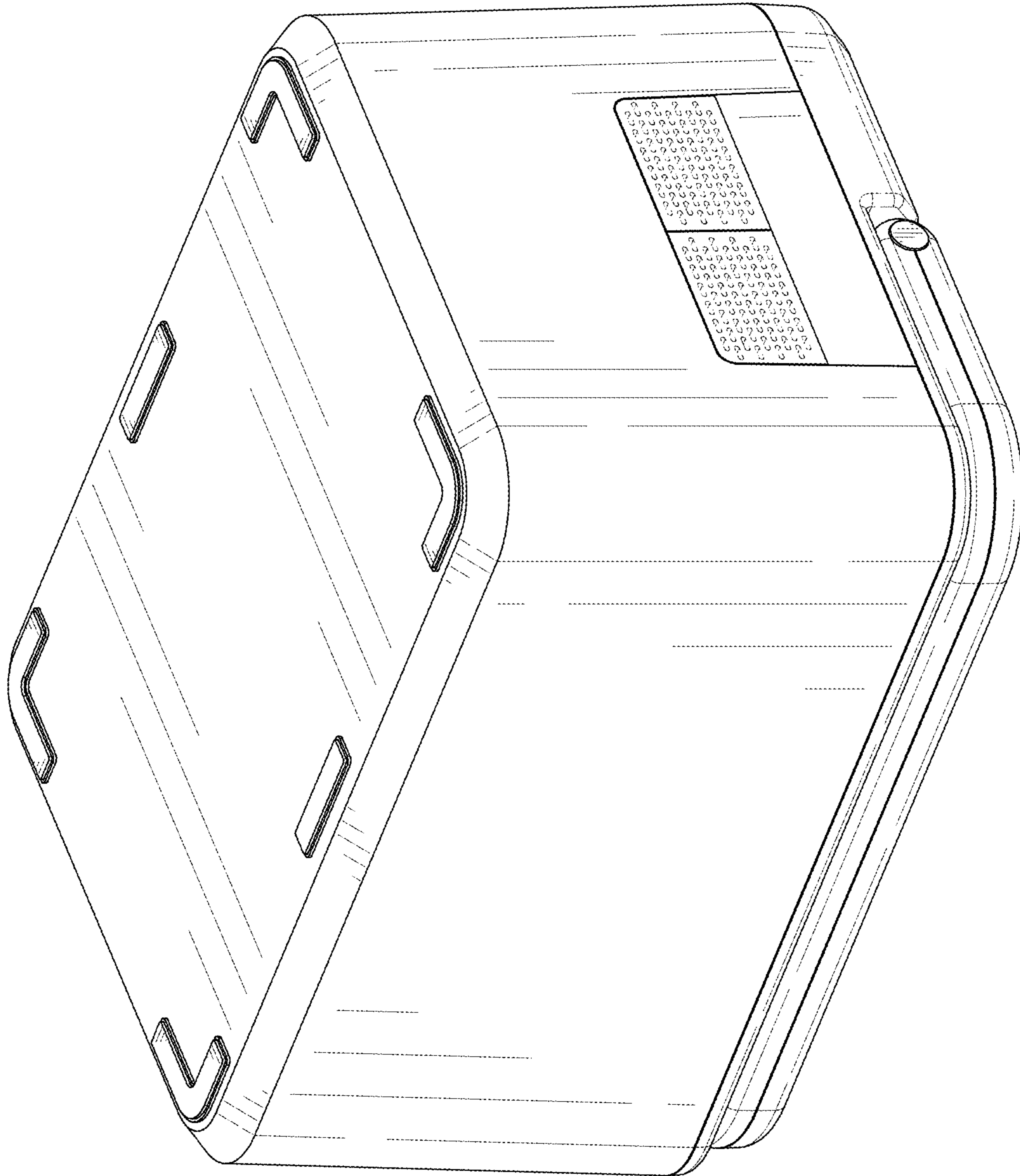


FIG. 2

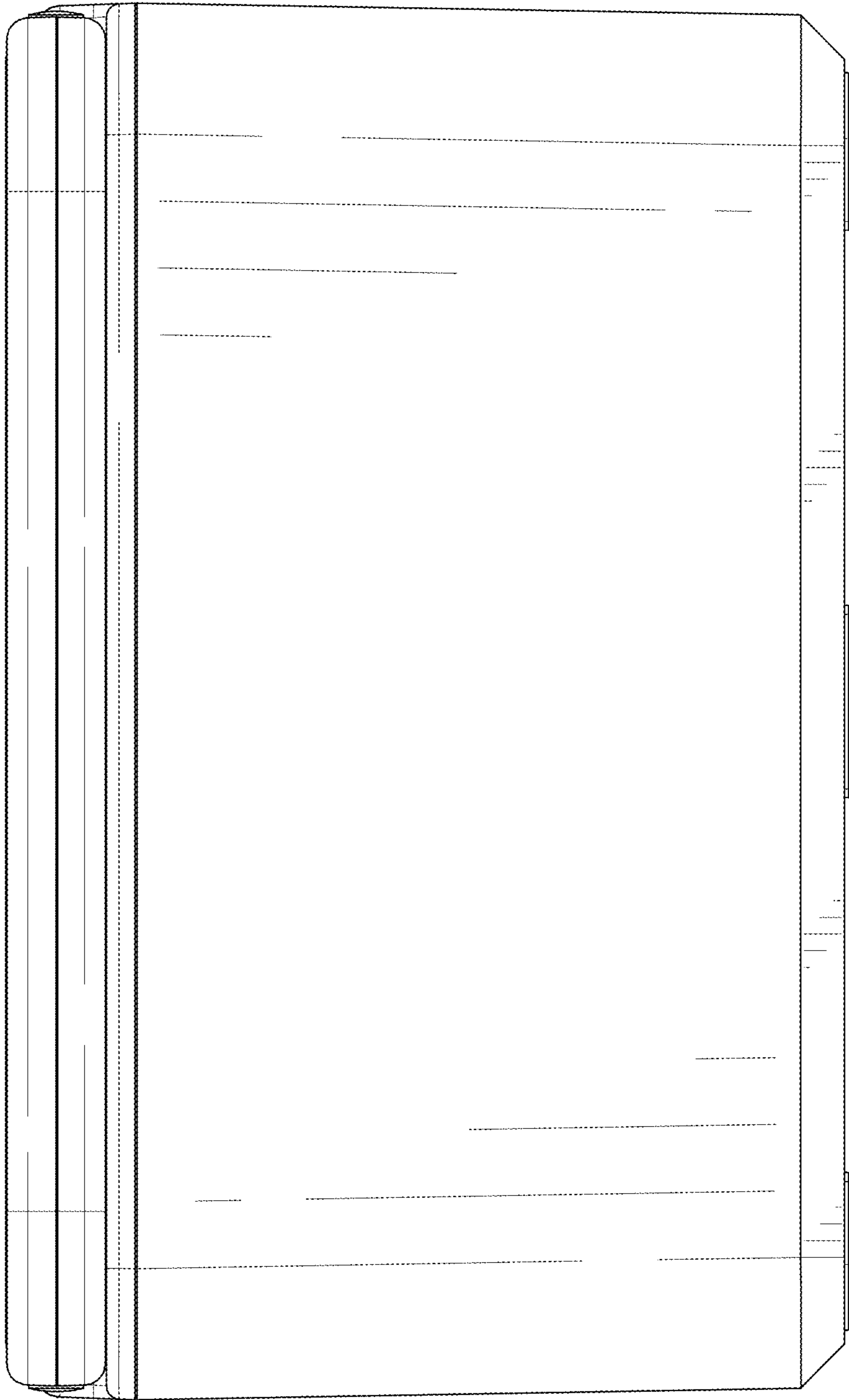


FIG. 3

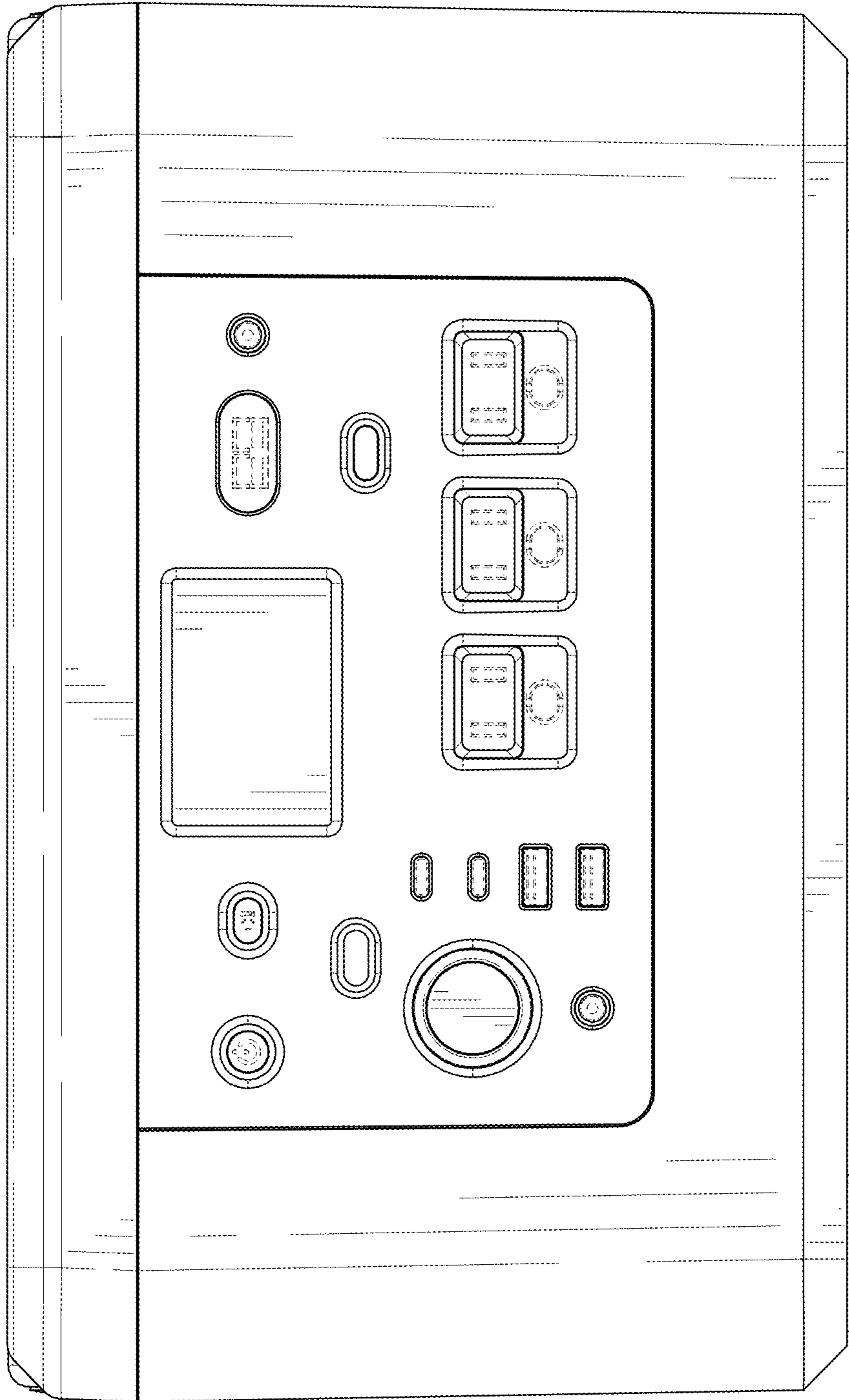


FIG. 4

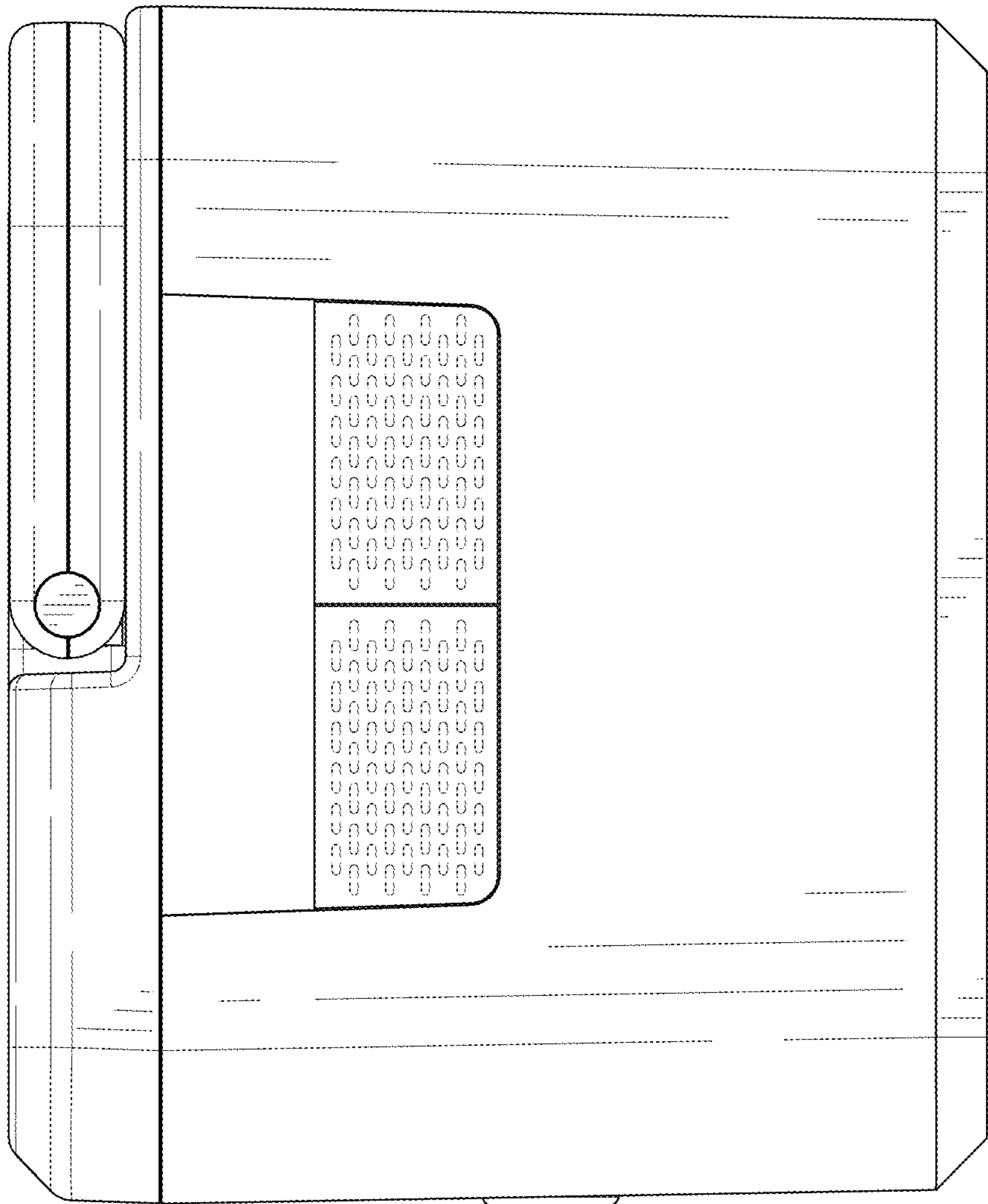


FIG. 5

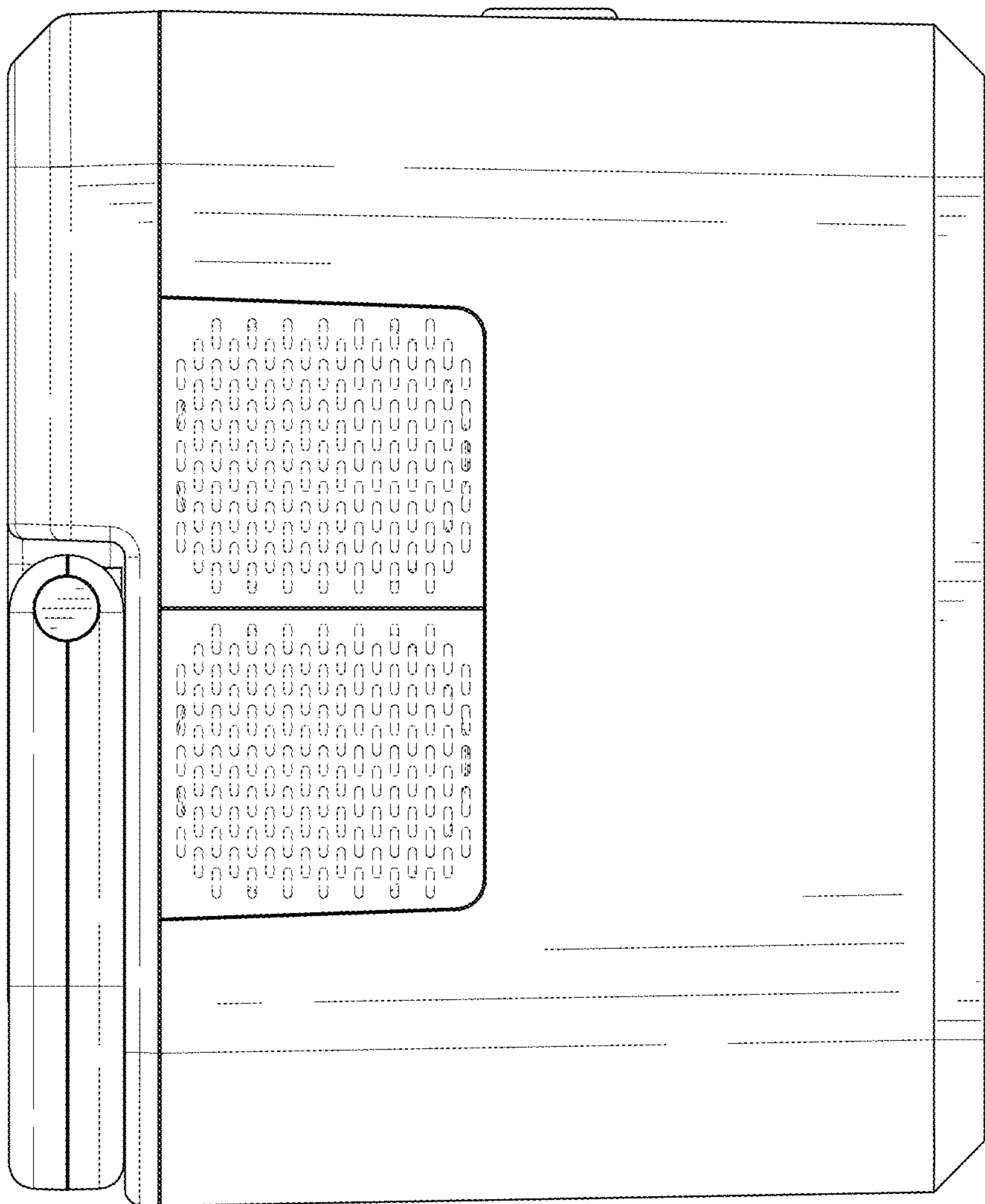


FIG. 6

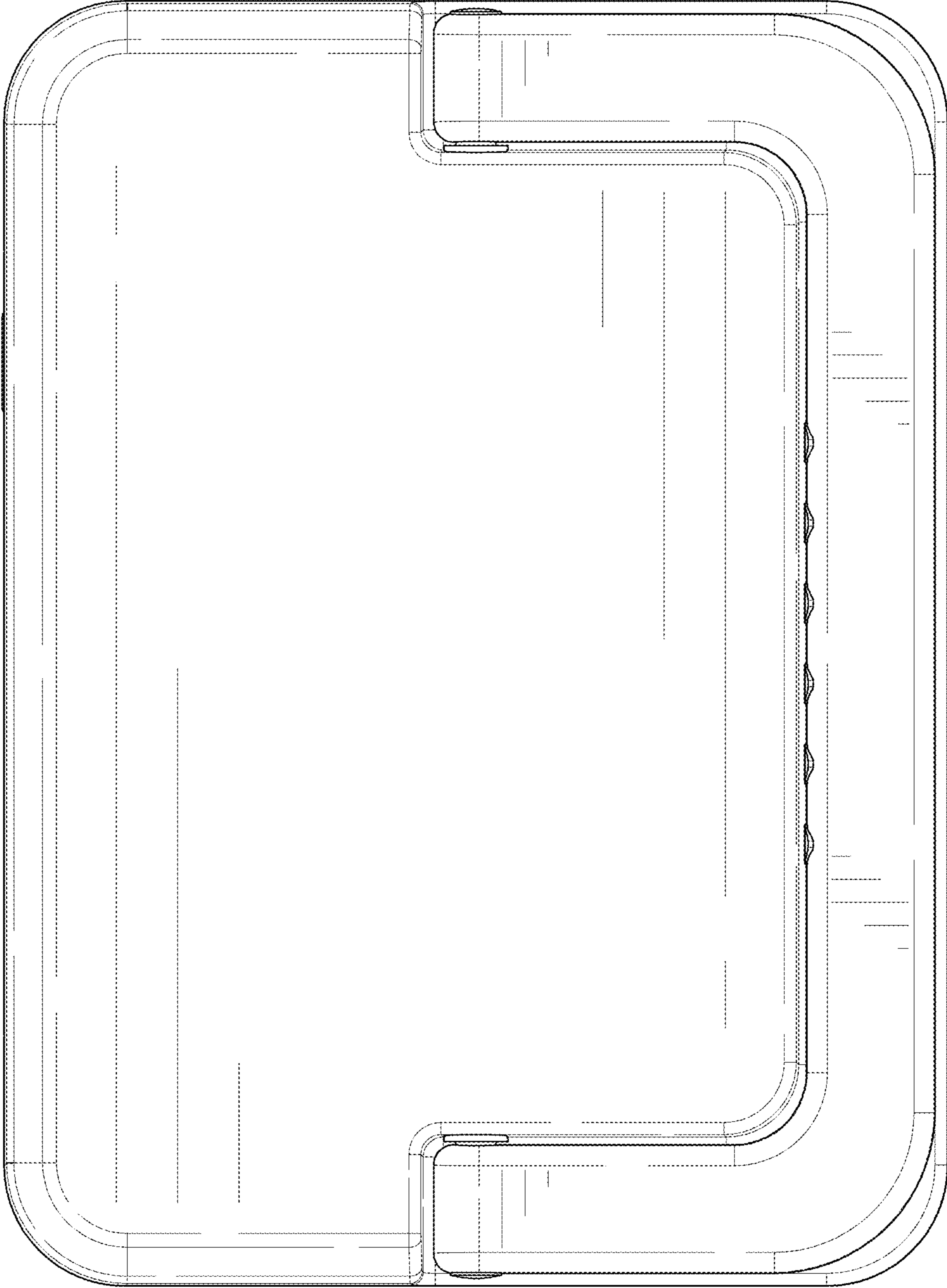


FIG. 7

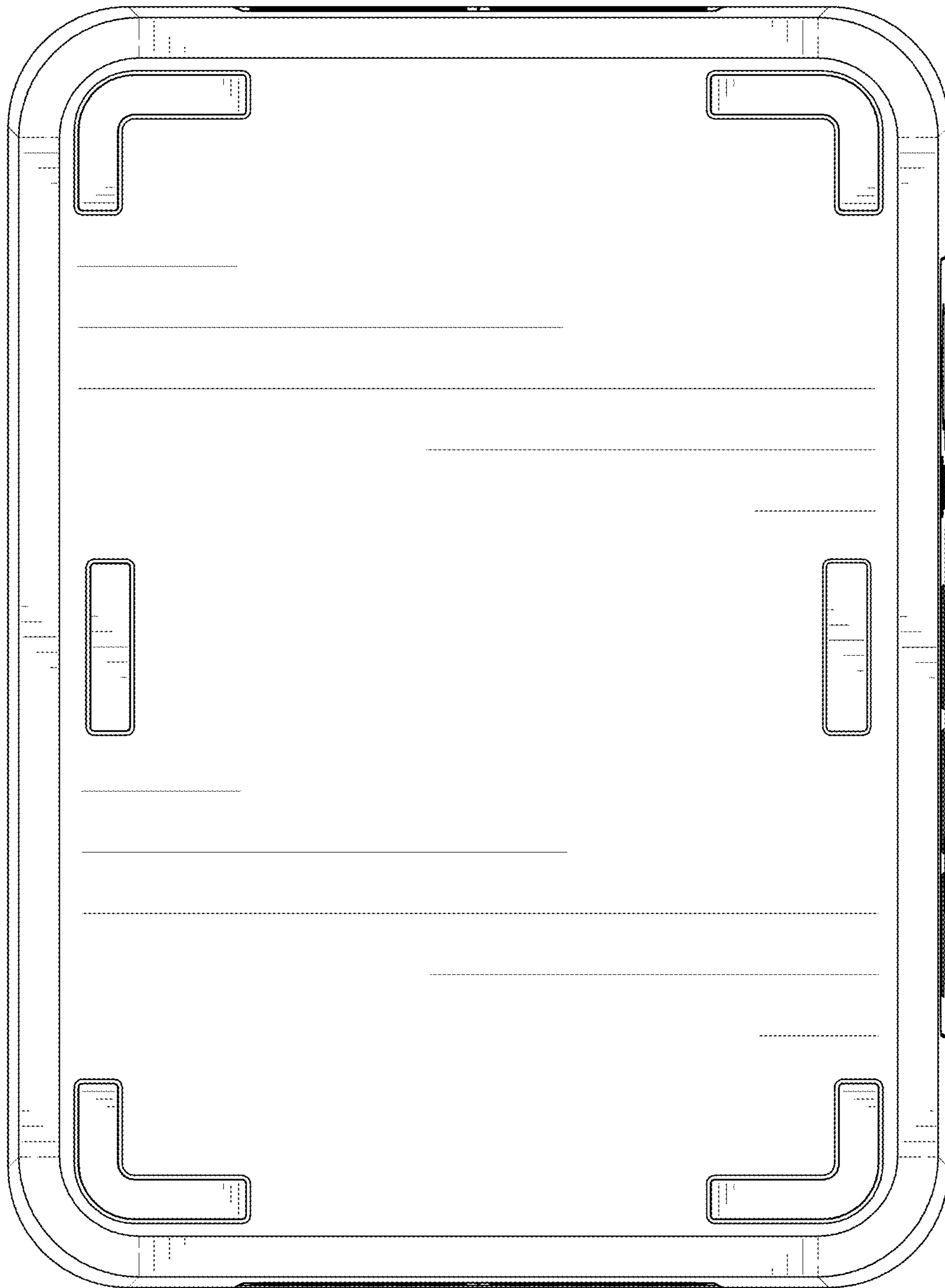


FIG. 8