



US00D902855S

(12) **United States Design Patent**
Liu

(10) **Patent No.:** **US D902,855 S**

(45) **Date of Patent:** **** Nov. 24, 2020**

- (54) **SMART CHARGER**
- (71) Applicant: **SHEN ZHEN GREPOW BATTERY CO., LTD.**, Shenzhen (CN)
- (72) Inventor: **Shiyu Liu**, Shenzhen (CN)
- (73) Assignee: **SHEN ZHEN GREPOW BATTERY CO., LTD.**, Shenzhen (CN)
- (**) Term: **15 Years**
- (21) Appl. No.: **29/740,095**
- (22) Filed: **Jul. 1, 2020**
- (51) **LOC (12) Cl.** **13-02**
- (52) **U.S. Cl.**
USPC **D13/108**
- (58) **Field of Classification Search**
USPC D13/103, 107–110, 118–119, 184, 199;
D14/432, 434
CPC H01M 2/02; H01M 2/0202; H01M 10/44;
H02J 7/0026; H02J 7/0042; H02J 7/0044;
H02J 7/0045; H02J 7/0013; H02J 7/0003;
H02J 50/00; H02J 50/10; H02J 50/12;
H02J 50/80; H02J 7/025; H02J 7/005;
H02J 7/0027; G06F 1/1632; G06F 13/00
See application file for complete search history.

D651,564 S *	1/2012	Workman	D13/108
D659,089 S *	5/2012	Dong	D13/107
D687,037 S *	7/2013	Zhou	D14/434
D701,830 S *	4/2014	Edwards	D13/107
D718,711 S *	12/2014	Rabalais	D13/107
D740,223 S *	10/2015	Yoneta	D13/108
D746,823 S *	1/2016	Lai	D14/434
D806,023 S *	12/2017	Xu	D13/108
D816,023 S *	4/2018	Price	
D829,168 S *	9/2018	Massee	D13/108
D832,208 S *	10/2018	Grois	D13/108
D872,689 S *	1/2020	Vardi	D13/108
D886,827 S *	6/2020	Zhang	D14/434

* cited by examiner

Primary Examiner — Rosemary K Tarcza

(57) **CLAIM**

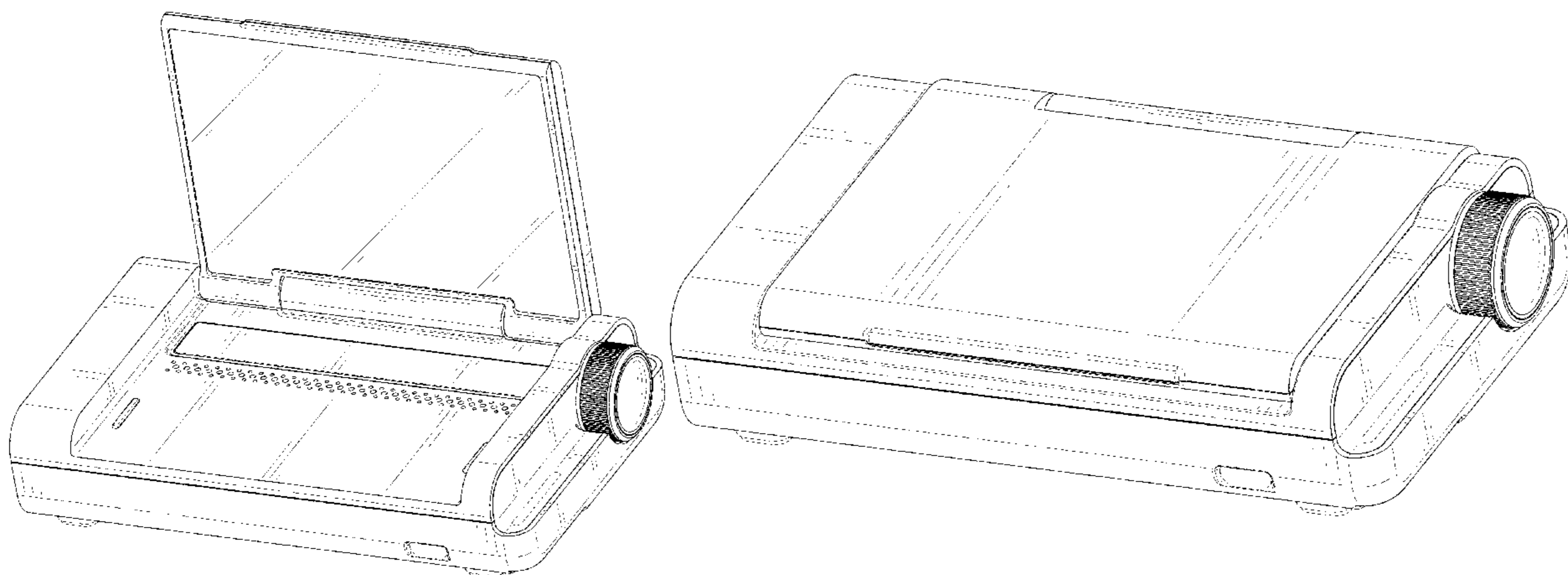
The ornamental design for a smart charger, as shown and described.

DESCRIPTION

FIG. 1 is a perspective view of a smart charger showing my new design;
 FIG. 2 is another perspective view thereof;
 FIG. 3 is a front elevational view thereof;
 FIG. 4 is a rear elevational view thereof;
 FIG. 5 is a left side elevational view thereof;
 FIG. 6 is a right side elevational view thereof;
 FIG. 7 is a top plan view thereof;
 FIG. 8 is a bottom plan view thereof; and,
 FIG. 9 is a perspective view of the smart charger where the smart charger is in a configuration of use.
 The broken lines in the drawings depict portions of the smart charger that form no part of the claimed design.

1 Claim, 9 Drawing Sheets

- (56) **References Cited**
U.S. PATENT DOCUMENTS
D564,960 S * 3/2008 Sacco D13/107
D617,268 S * 6/2010 Yen D13/108
D626,916 S * 11/2010 Hine D13/107
D650,327 S * 12/2011 Kingston D13/107



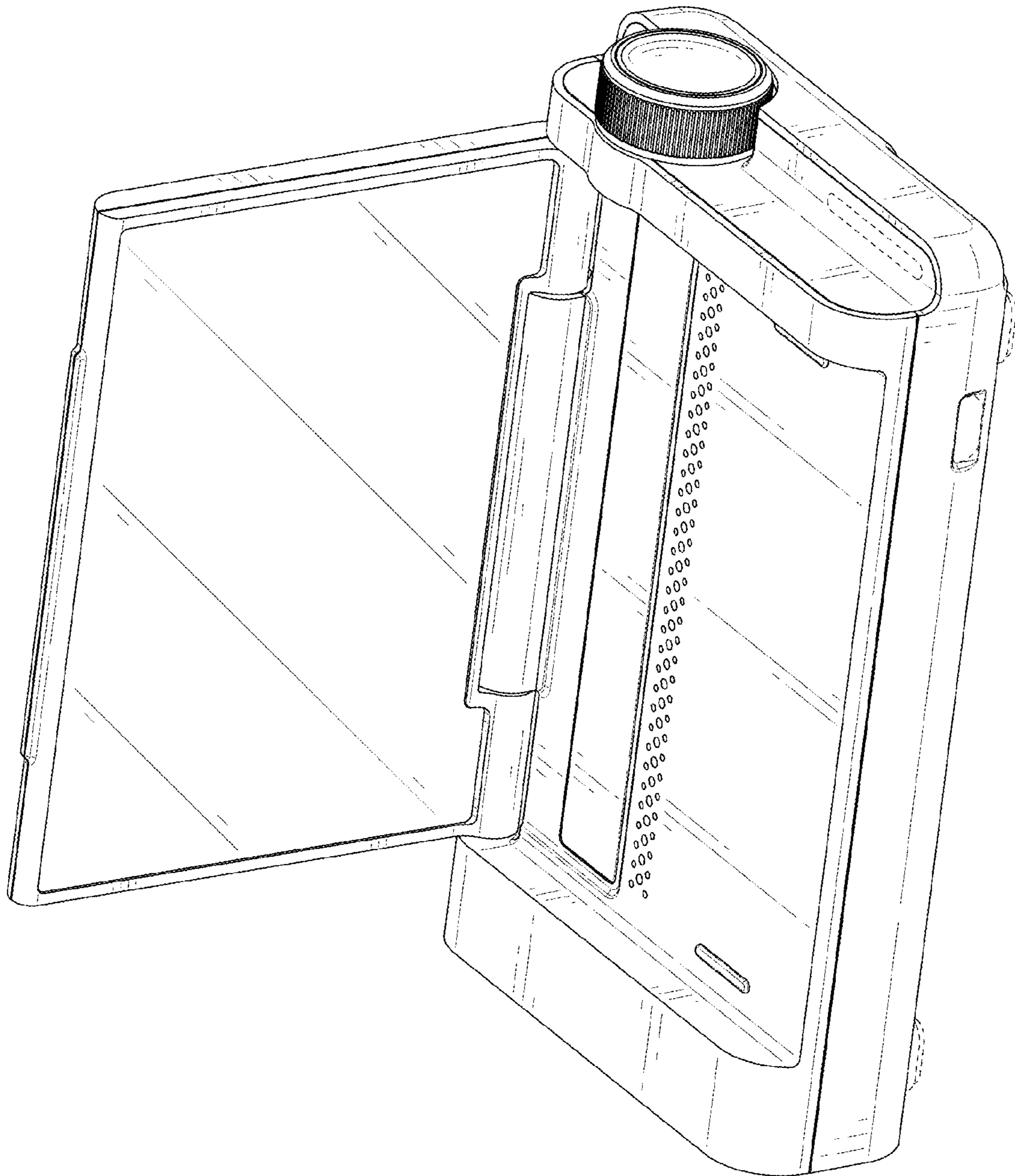


FIG. 1

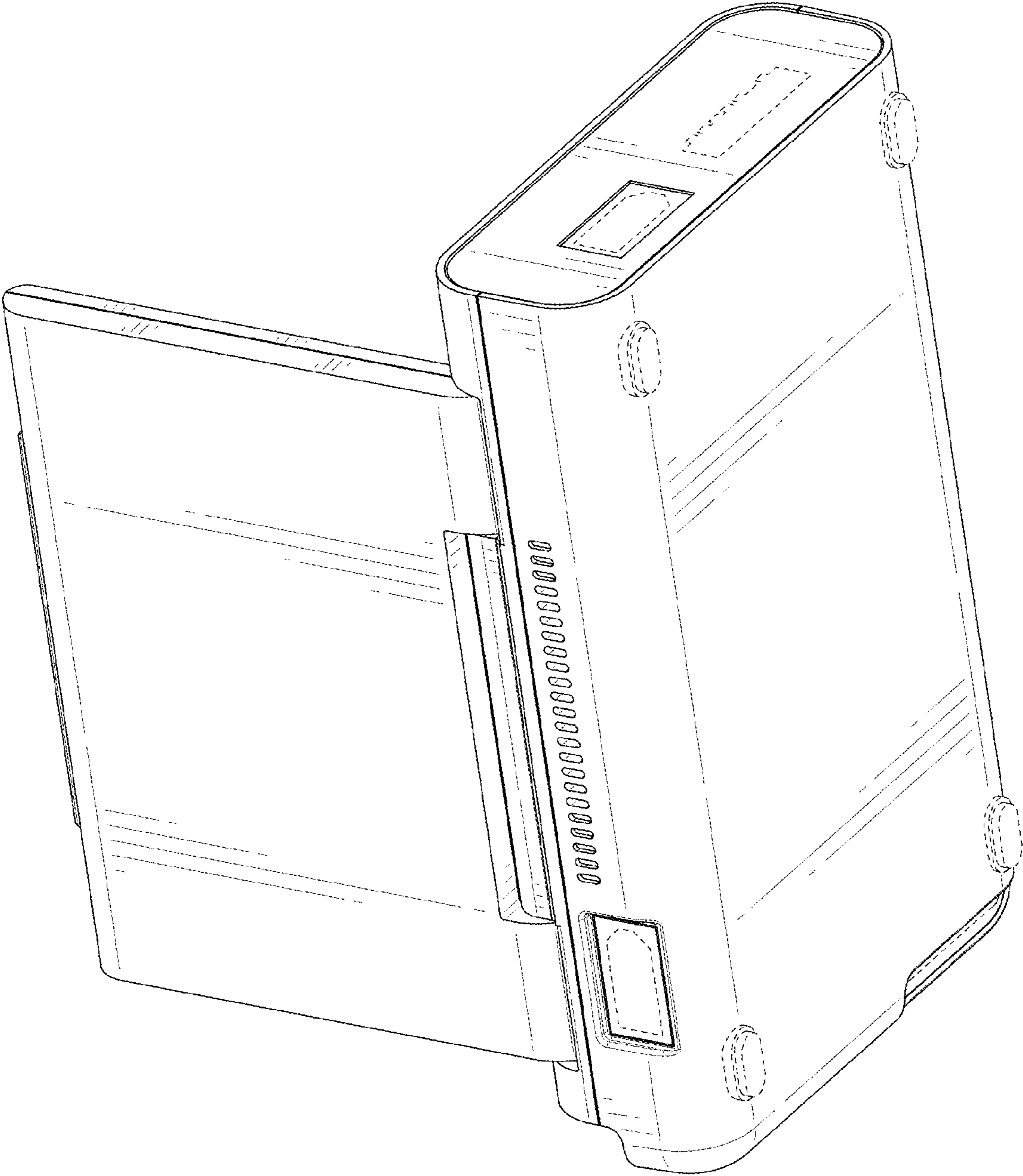


FIG. 2

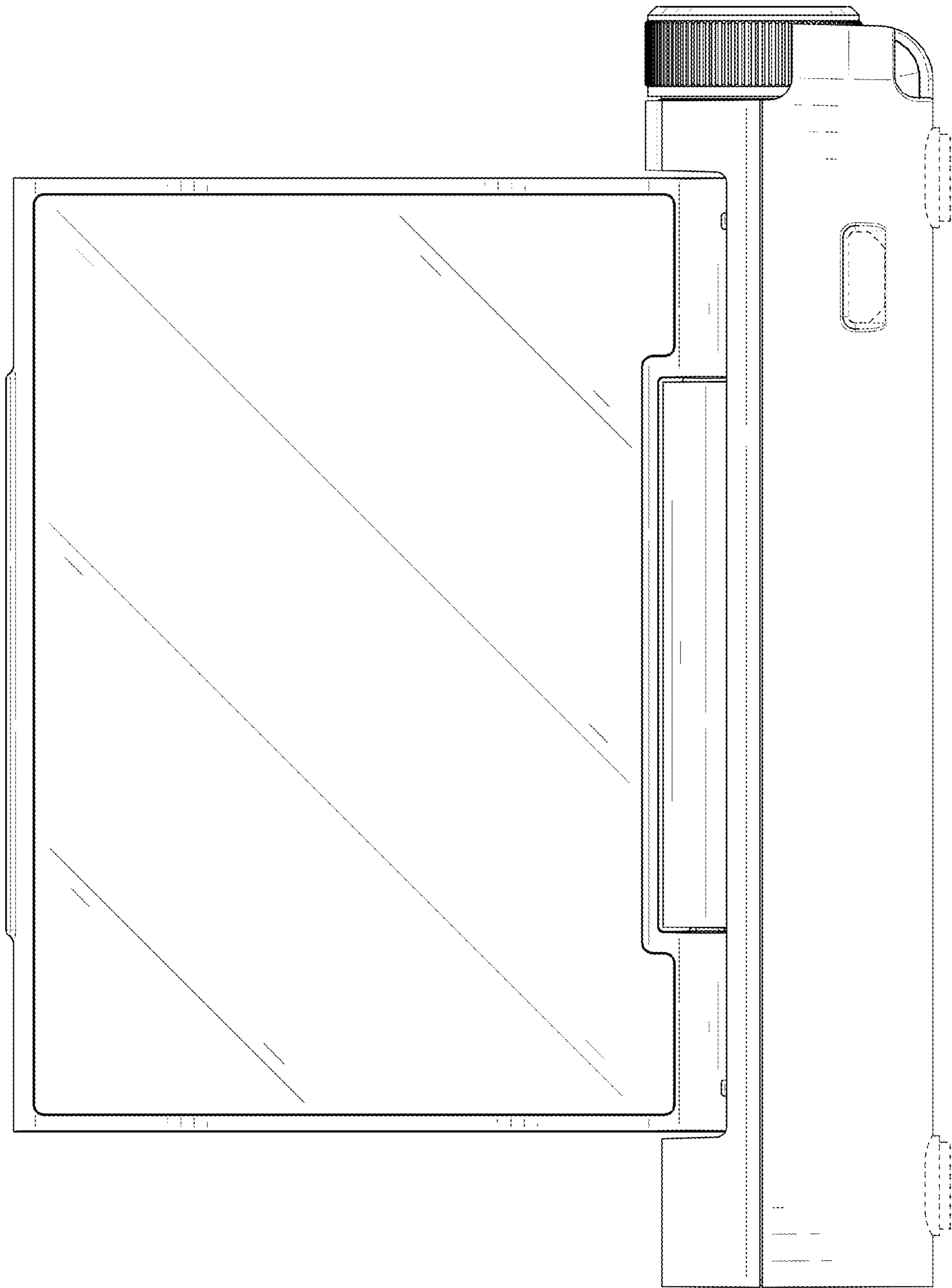


FIG. 3

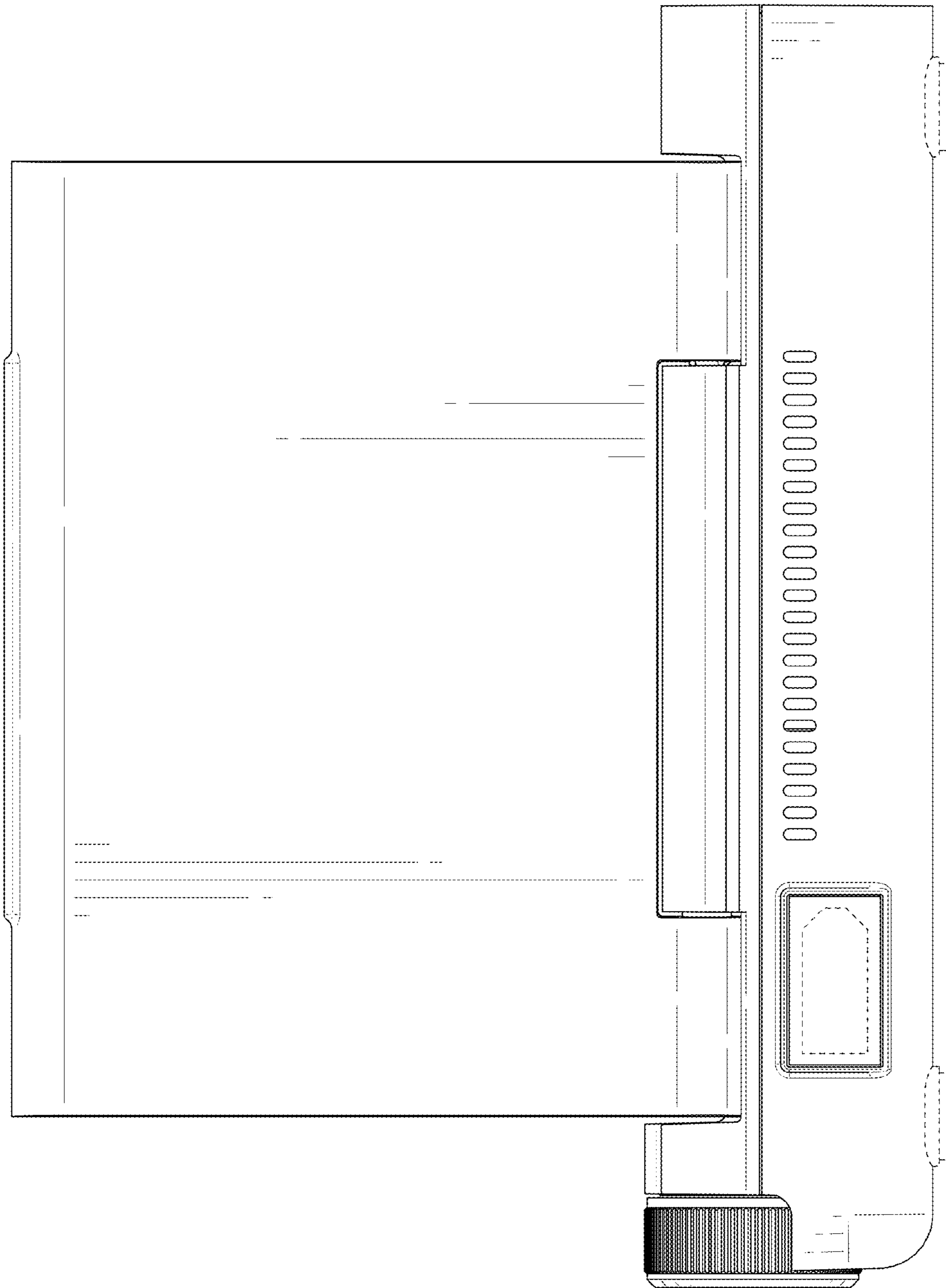


FIG. 4

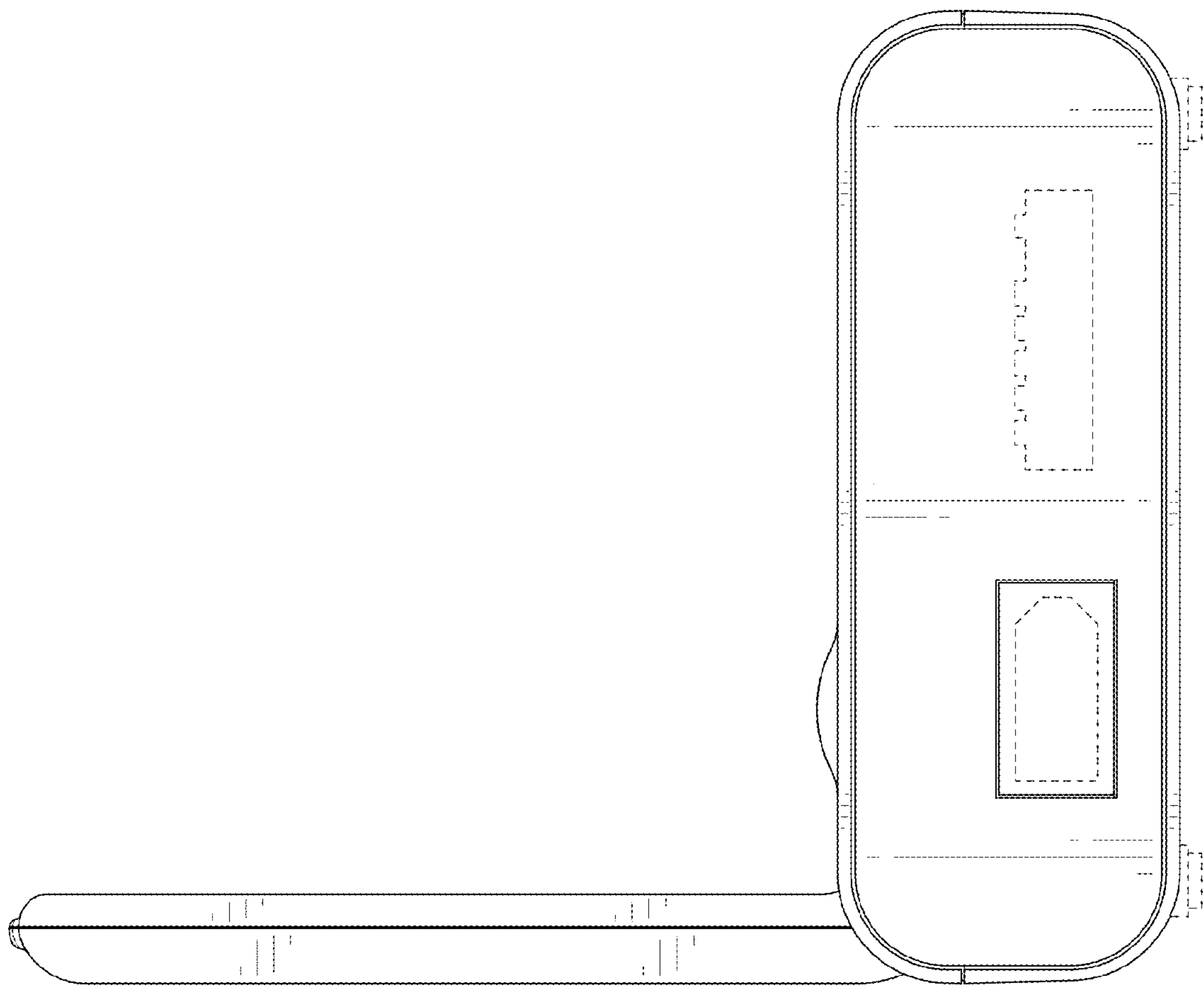


FIG. 5

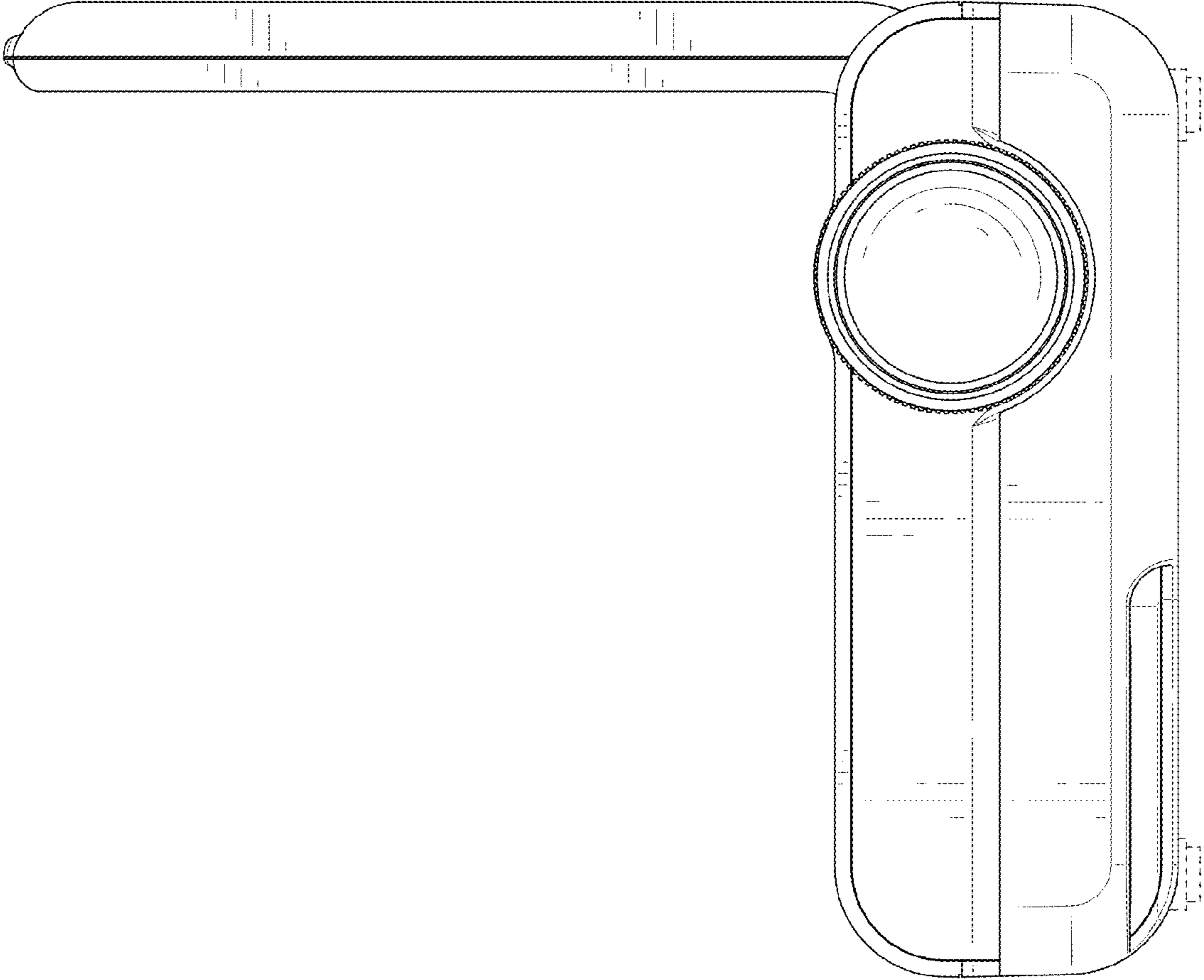


FIG. 6

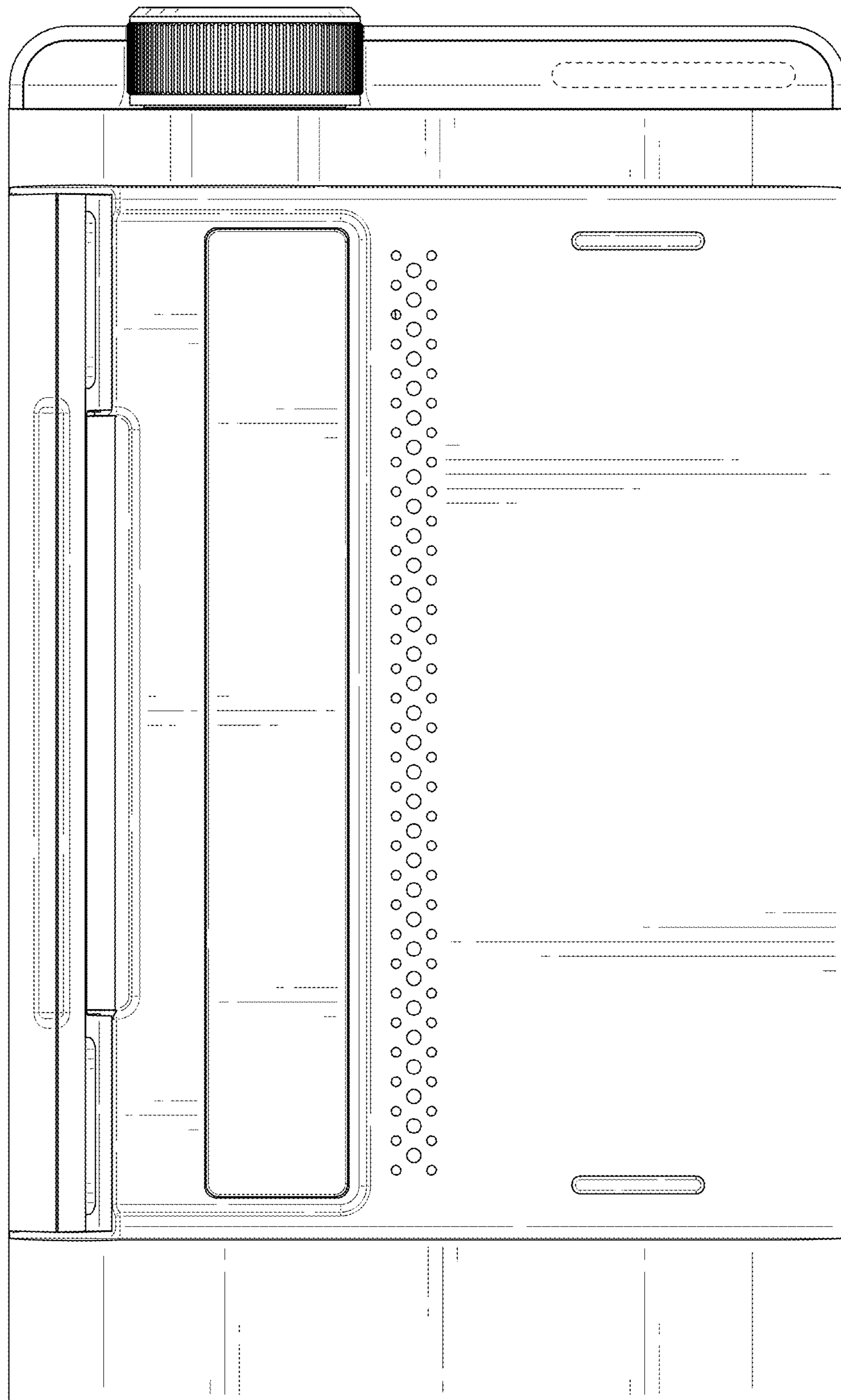


FIG. 7

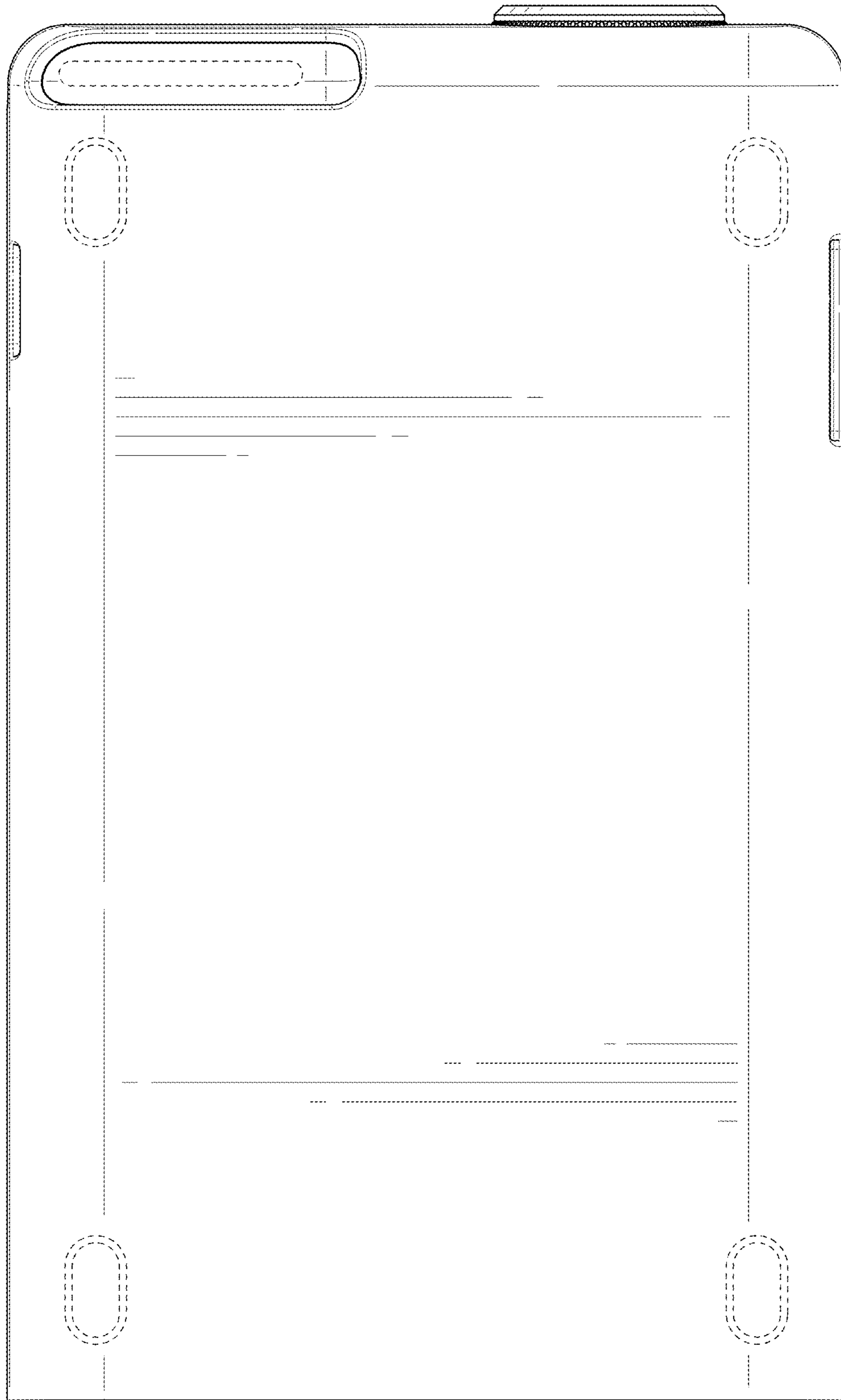


FIG. 8

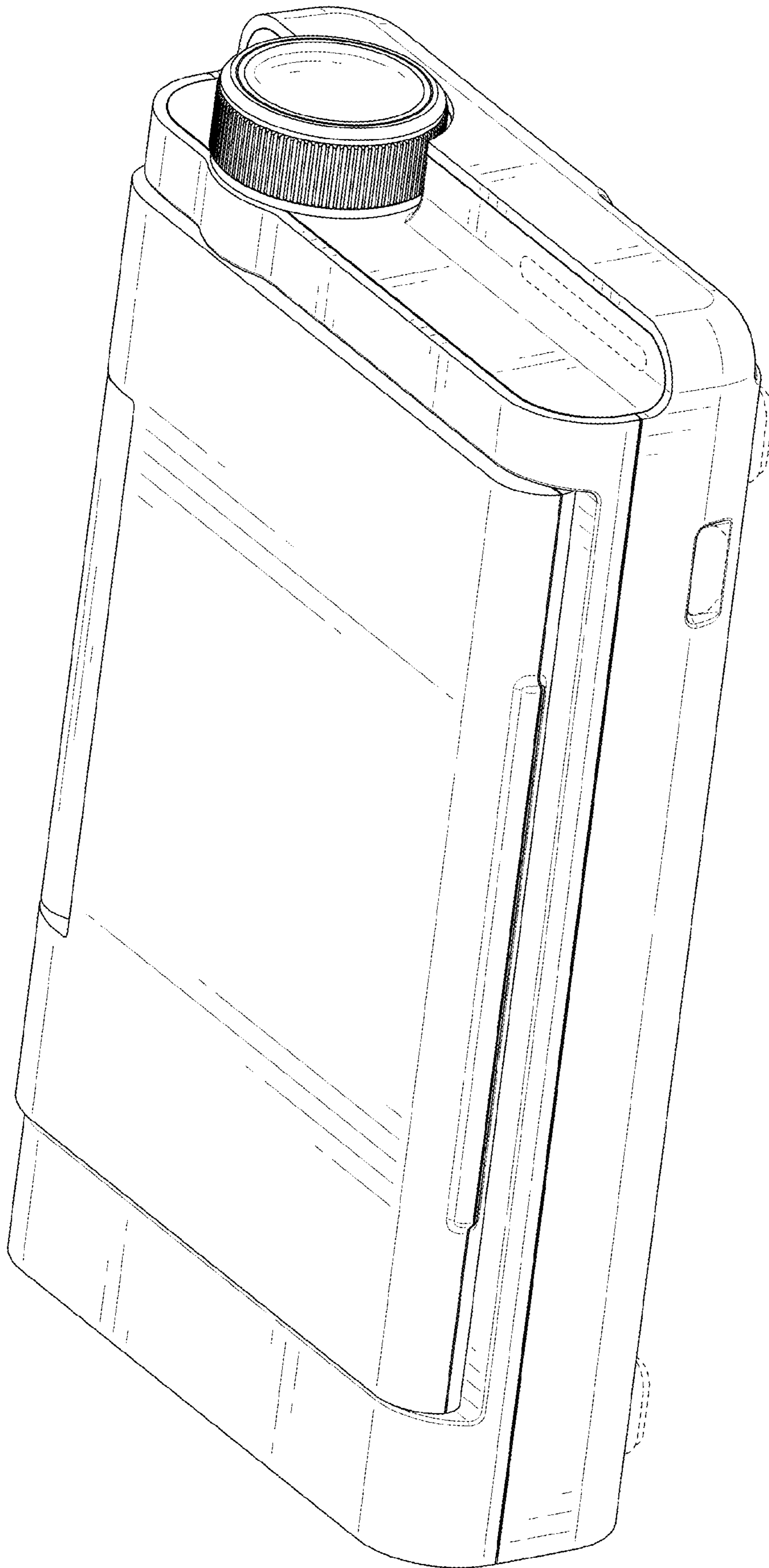


FIG. 9