



US00D902854S

(12) **United States Design Patent**  
**Feng**

(10) **Patent No.:** **US D902,854 S**

(45) **Date of Patent:** **\*\* Nov. 24, 2020**

(54) **PROTECTIVE CASE FOR EARPHONE**

(71) Applicant: **YANGJIANG NALI TRADING CO., LTD.**, Shenzhen (CN)

(72) Inventor: **Zexiong Feng**, Yangjiang (CN)

(\*\*) Term: **15 Years**

(21) Appl. No.: **29/737,607**

(22) Filed: **Jun. 10, 2020**

(51) **LOC (12) Cl.** ..... **13-02**

(52) **U.S. Cl.**  
USPC ..... **D13/108**; D3/274

(58) **Field of Classification Search**  
USPC ..... D13/103, 107-108, 110, 184, 199;  
D14/251, 253, 432, 434; D3/201, 205,  
D3/208, 218, 273, 274, 294  
CPC ..... H02J 7/0044; H02J 7/0045; H02J 7/0042;  
H02J 7/342; H02J 7/345; H02J 7/025;  
H02J 7/026; H02J 7/0007; H02J 7/0027;  
H02J 7/0003; H02J 50/00; H02J 50/10;  
H02J 50/12; H02J 50/80; H02J 50/40  
See application file for complete search history.

(56) **References Cited**

**U.S. PATENT DOCUMENTS**

D806,388 S \* 1/2018 Akana ..... D3/294  
D826,152 S \* 8/2018 Christiansen ..... D13/108

D841,580 S \* 2/2019 Bao ..... D13/108  
D849,401 S \* 5/2019 Akana ..... D3/274  
D878,048 S 3/2020 Wang et al.  
D882,262 S 4/2020 Zhang  
D886,453 S \* 6/2020 Wright ..... D3/294  
D887,140 S \* 6/2020 Hyun ..... D3/302  
D888,663 S \* 6/2020 Weng ..... D13/108  
D890,091 S \* 7/2020 Cramer ..... D13/108  
D892,498 S \* 8/2020 Wright ..... D3/294

\* cited by examiner

*Primary Examiner* — Rosemary K Tarcza

(74) *Attorney, Agent, or Firm* — Erson IP (Nelson IP)

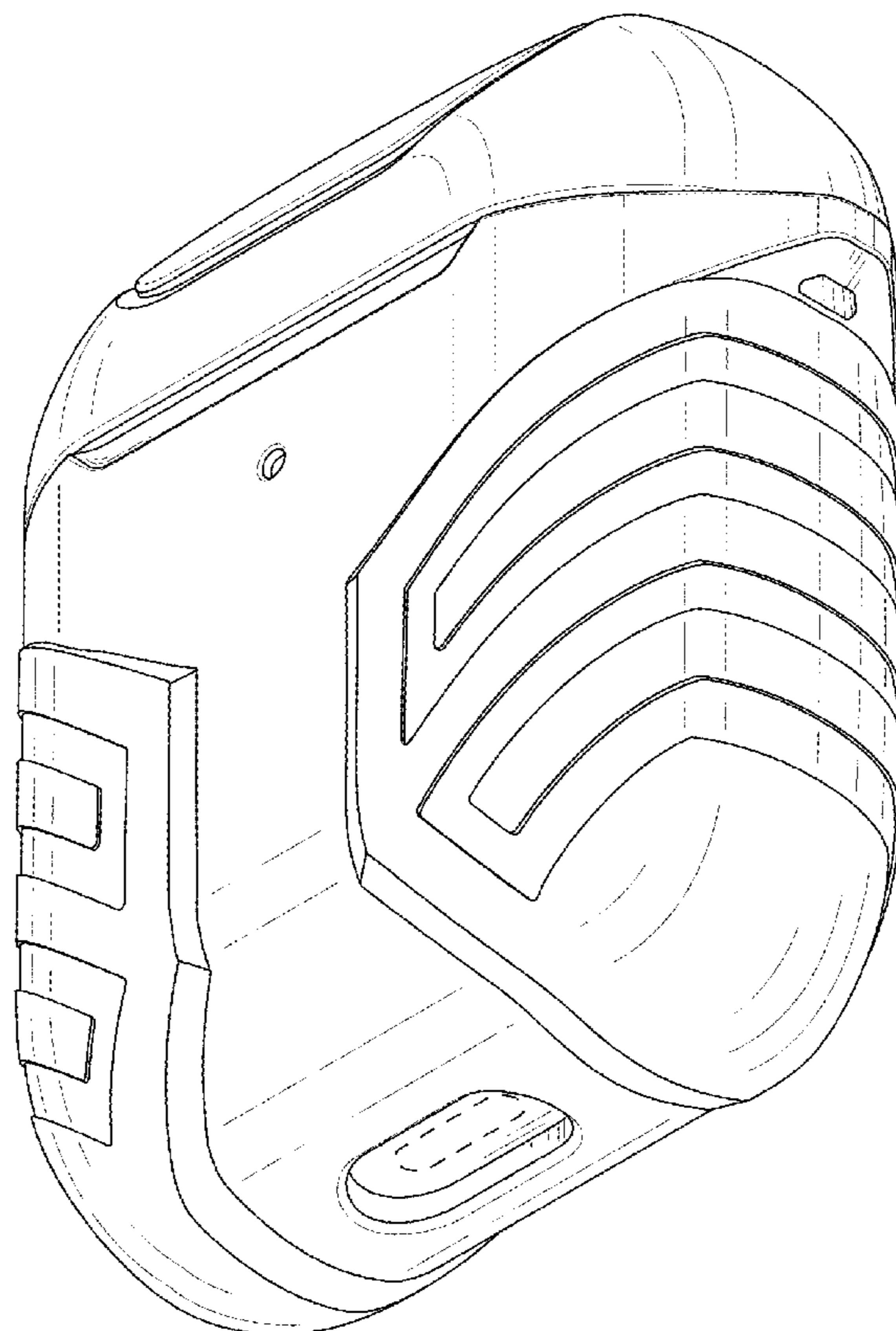
(57) **CLAIM**

The ornamental design for a protective case for earphone, as shown and described.

**DESCRIPTION**

FIG. 1 is a perspective view of a protective case for earphone showing my new design;  
FIG. 2 is another perspective view thereof;  
FIG. 3 is a front view thereof;  
FIG. 4 is a rear view thereof;  
FIG. 5 is a left side view thereof;  
FIG. 6 is a right side view thereof;  
FIG. 7 is a top plan view thereof; and,  
FIG. 8 is a bottom plan view thereof.  
The broken lines in the figures illustrate portions of the protective case for earphone that form no part of the claimed design.

**1 Claim, 8 Drawing Sheets**



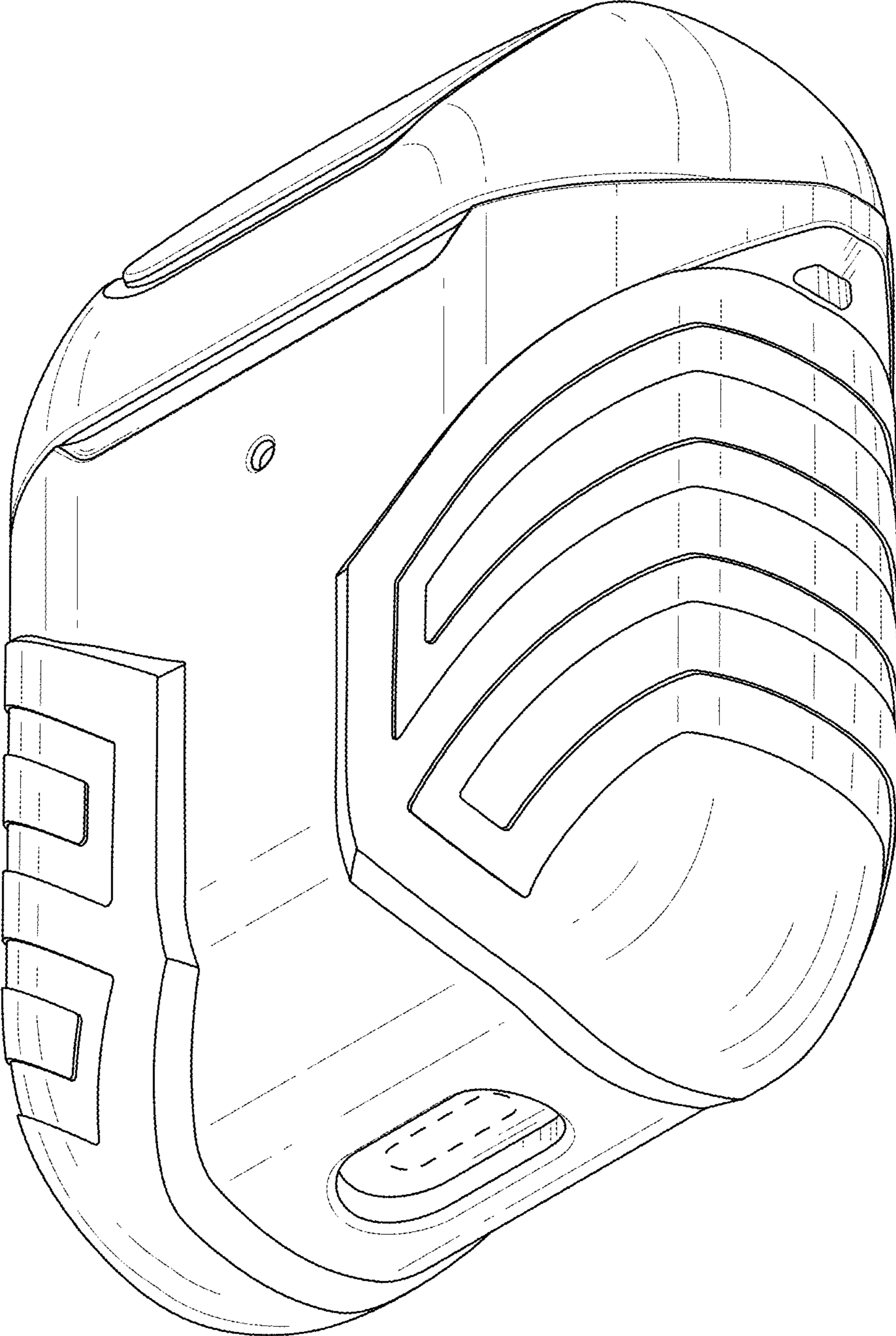


FIG. 1

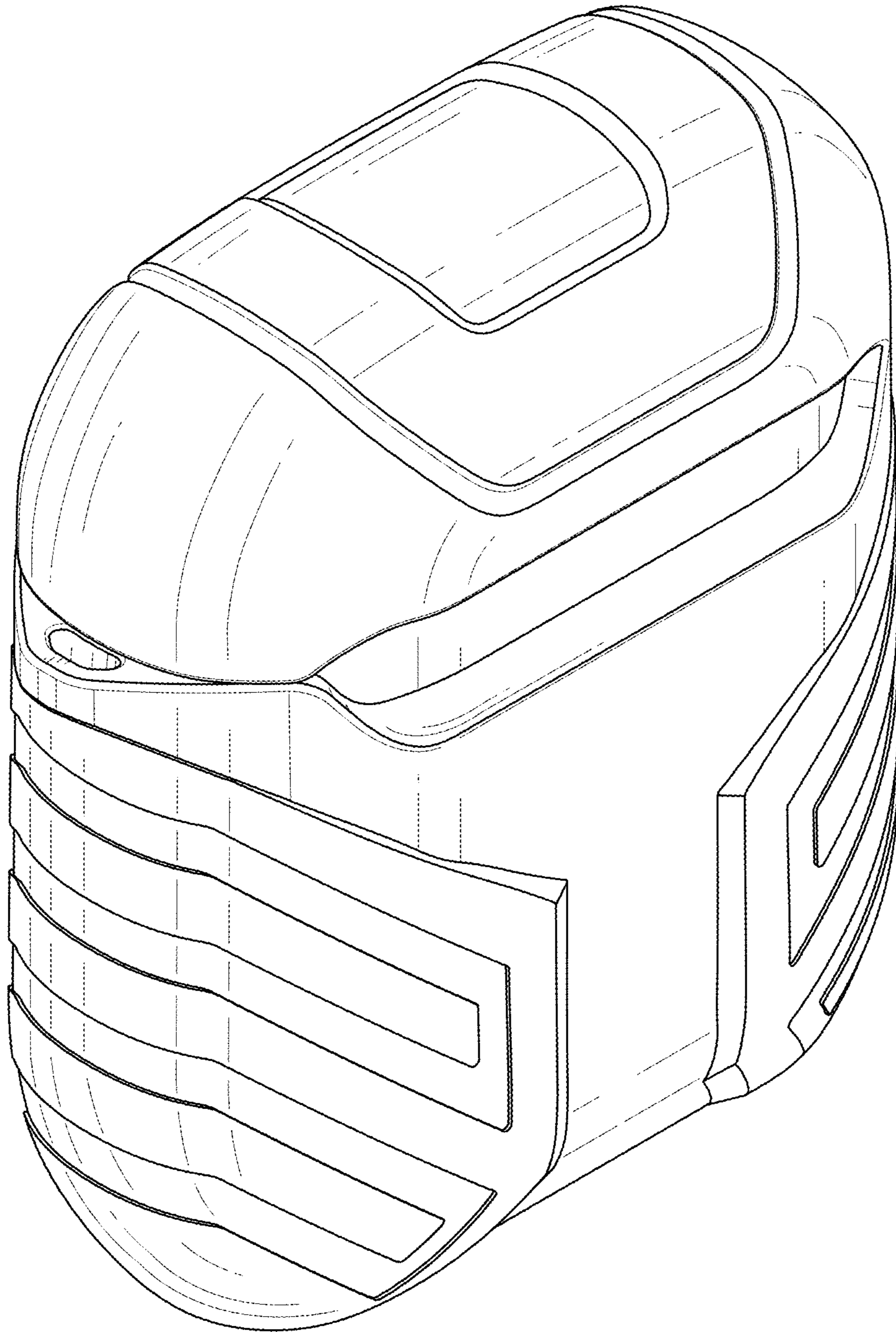


FIG. 2

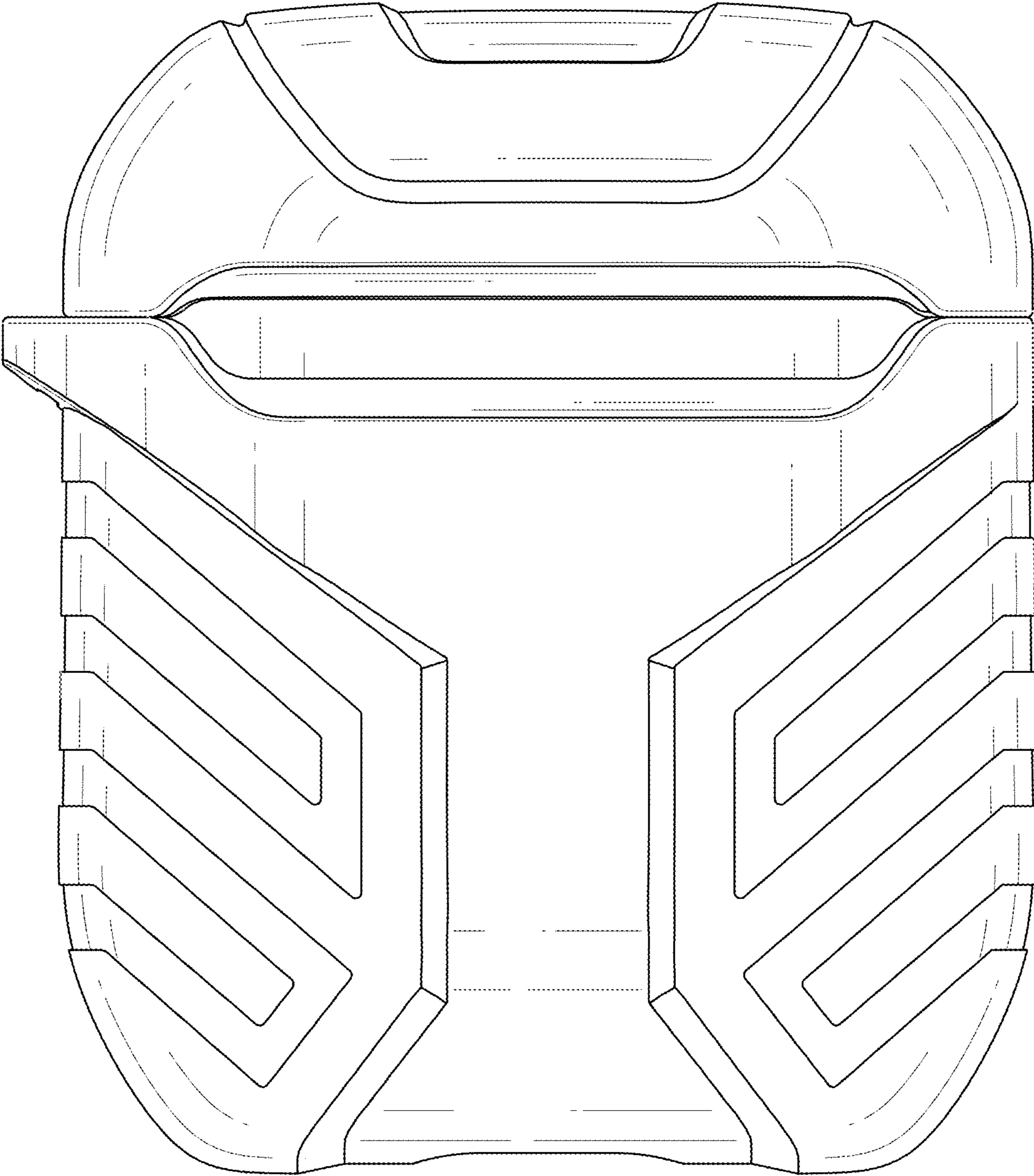


FIG. 3

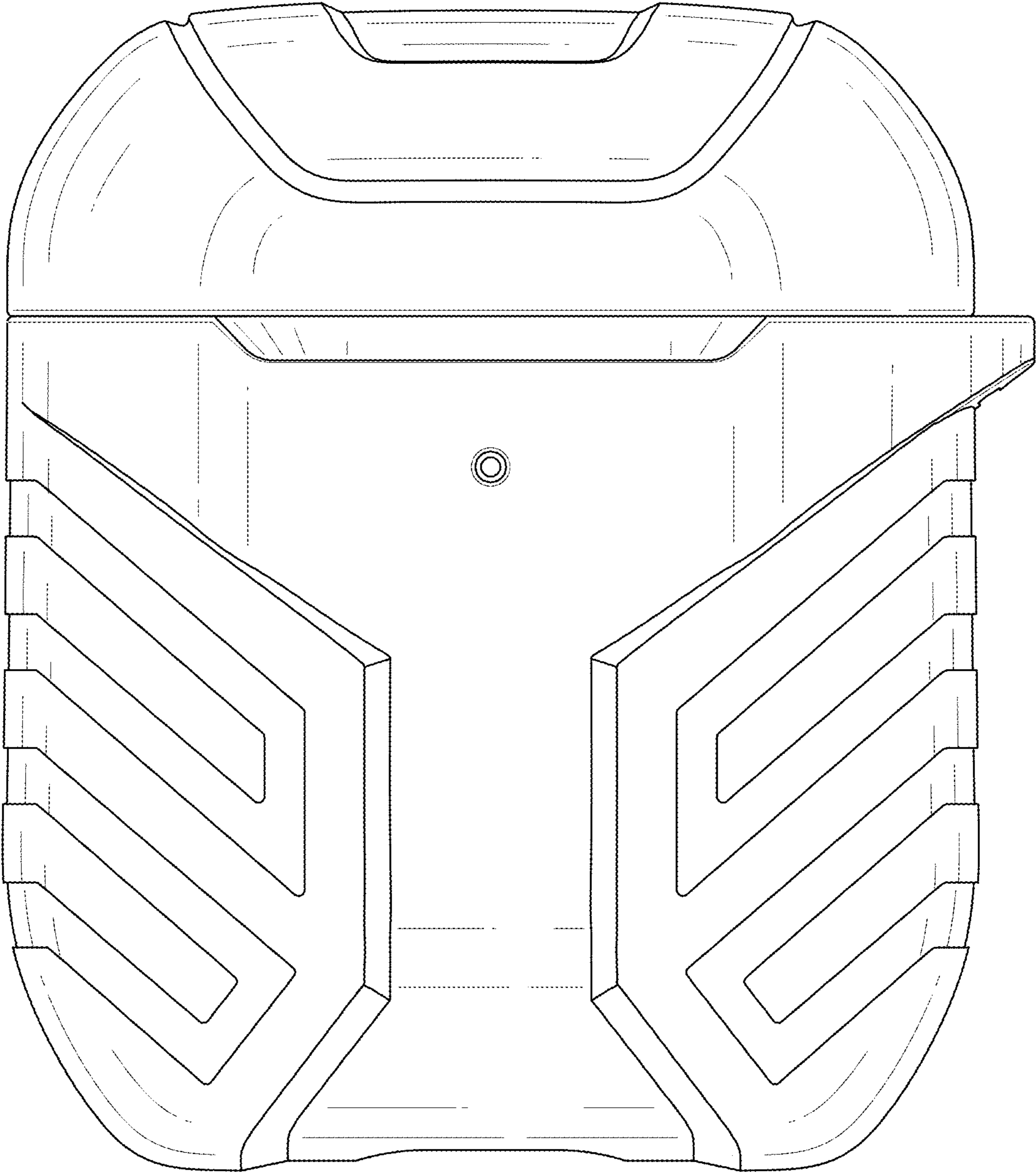


FIG. 4

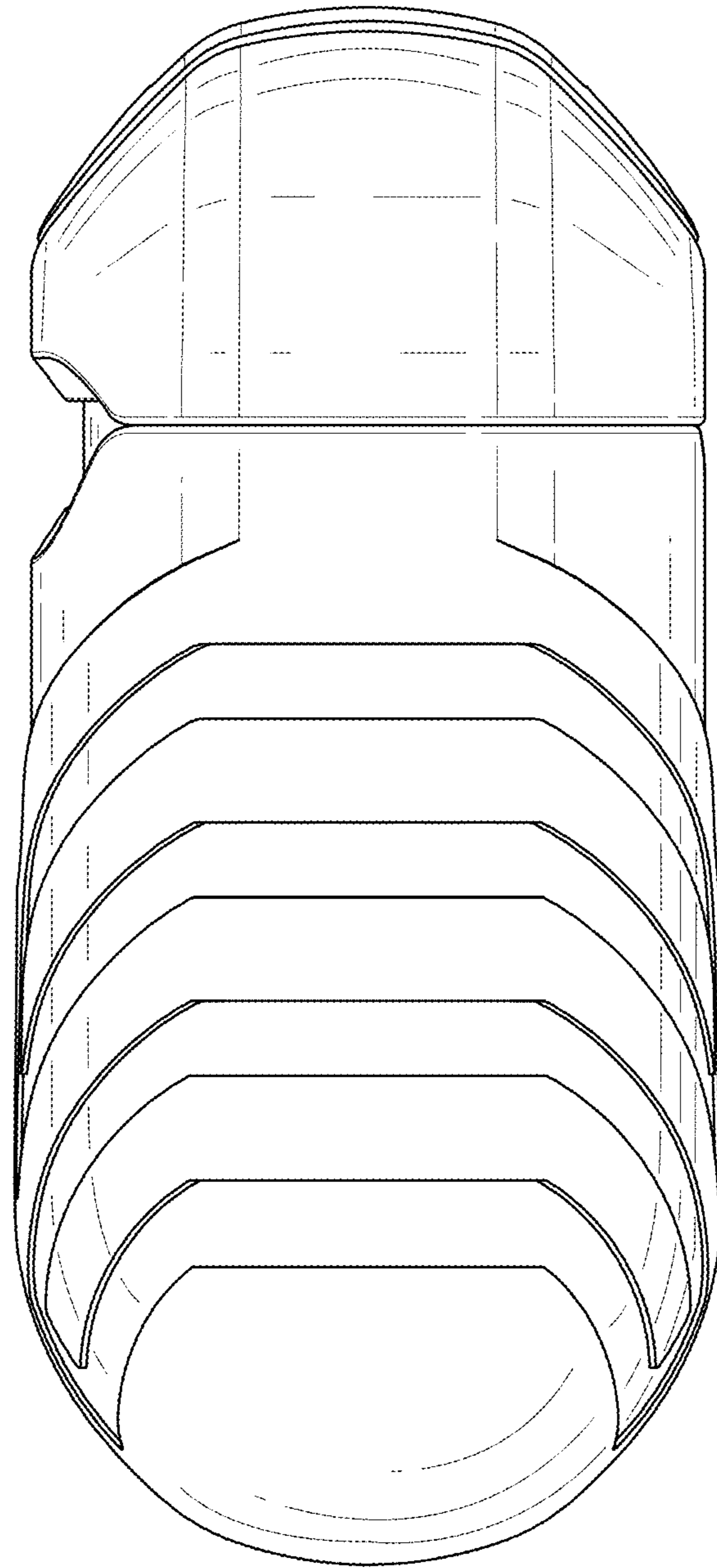


FIG. 5

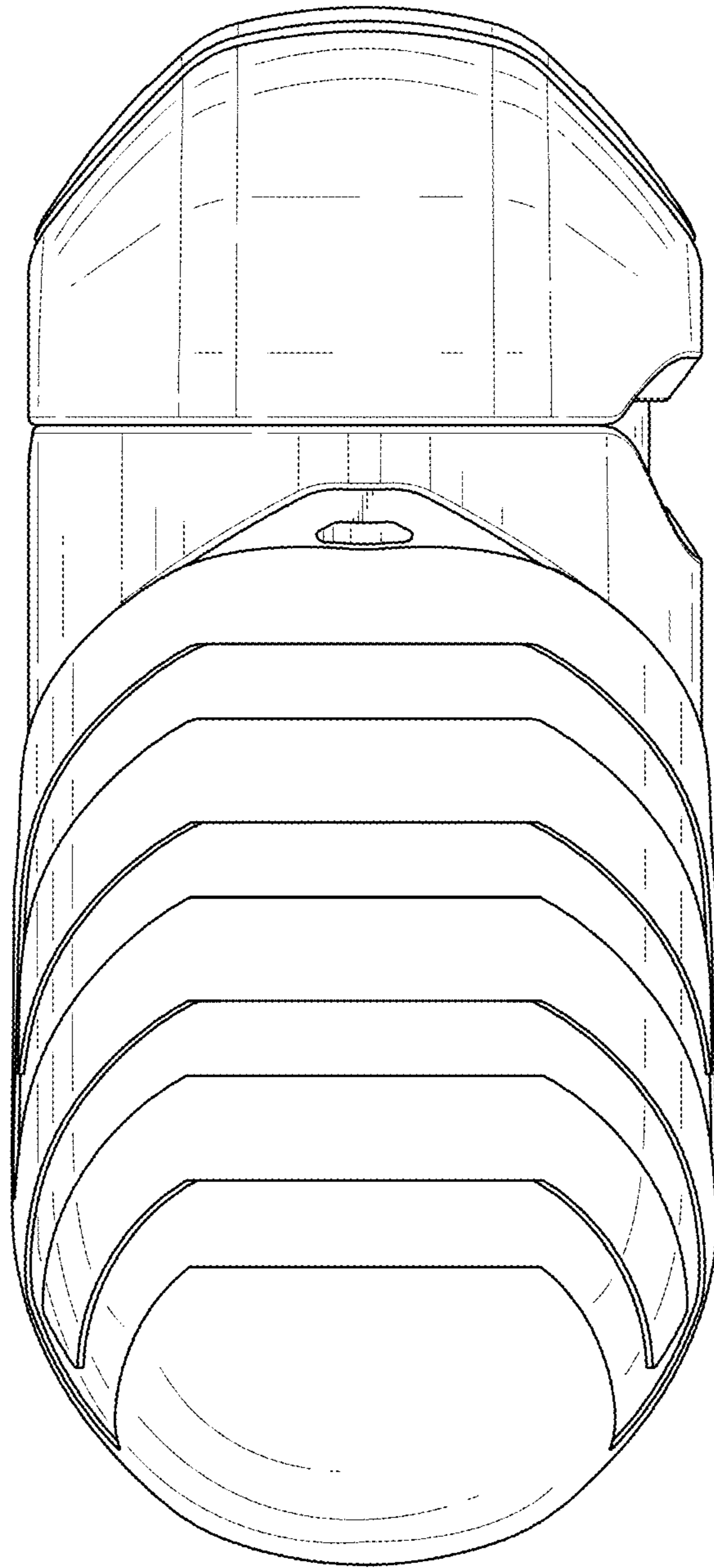


FIG. 6

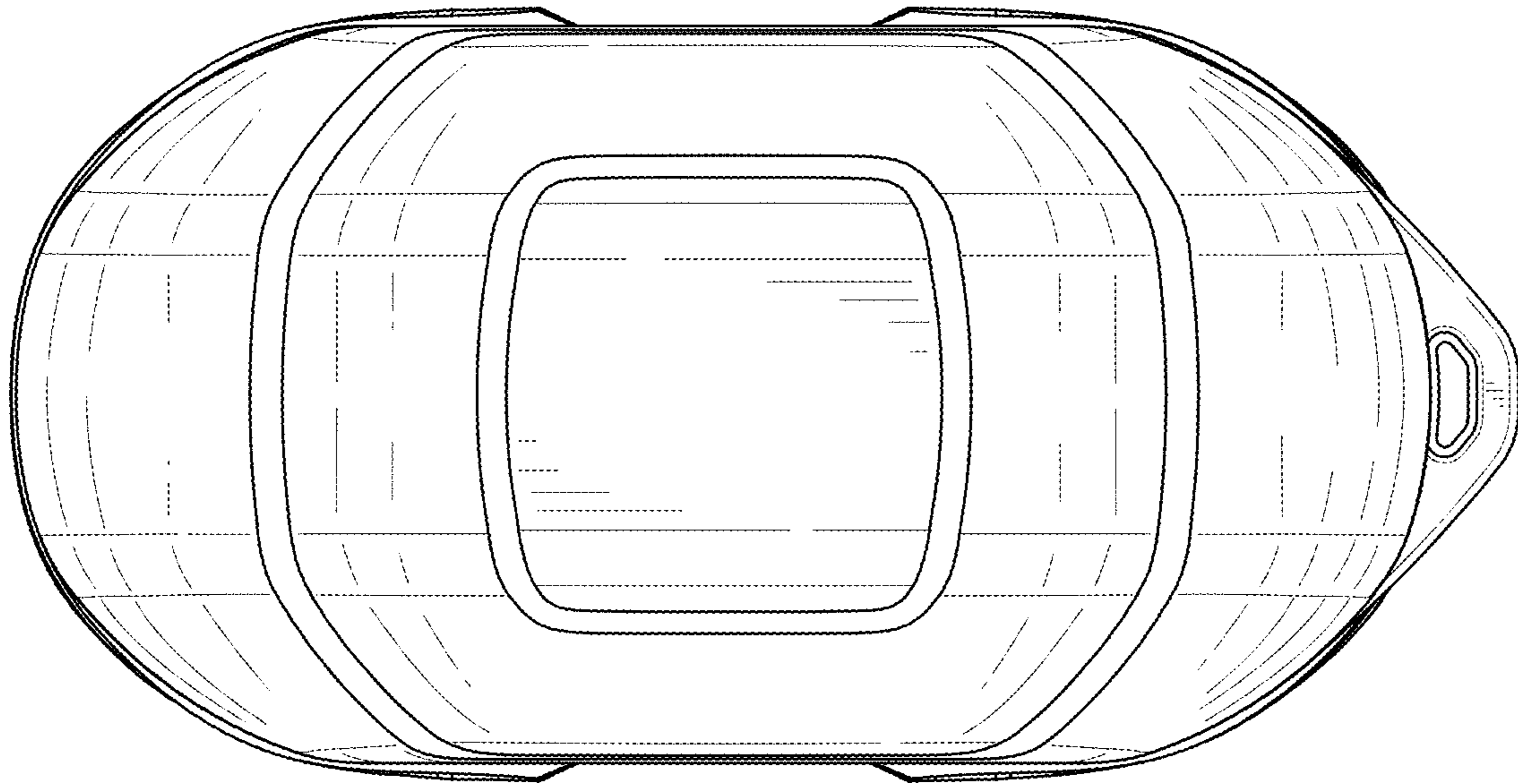


FIG. 7



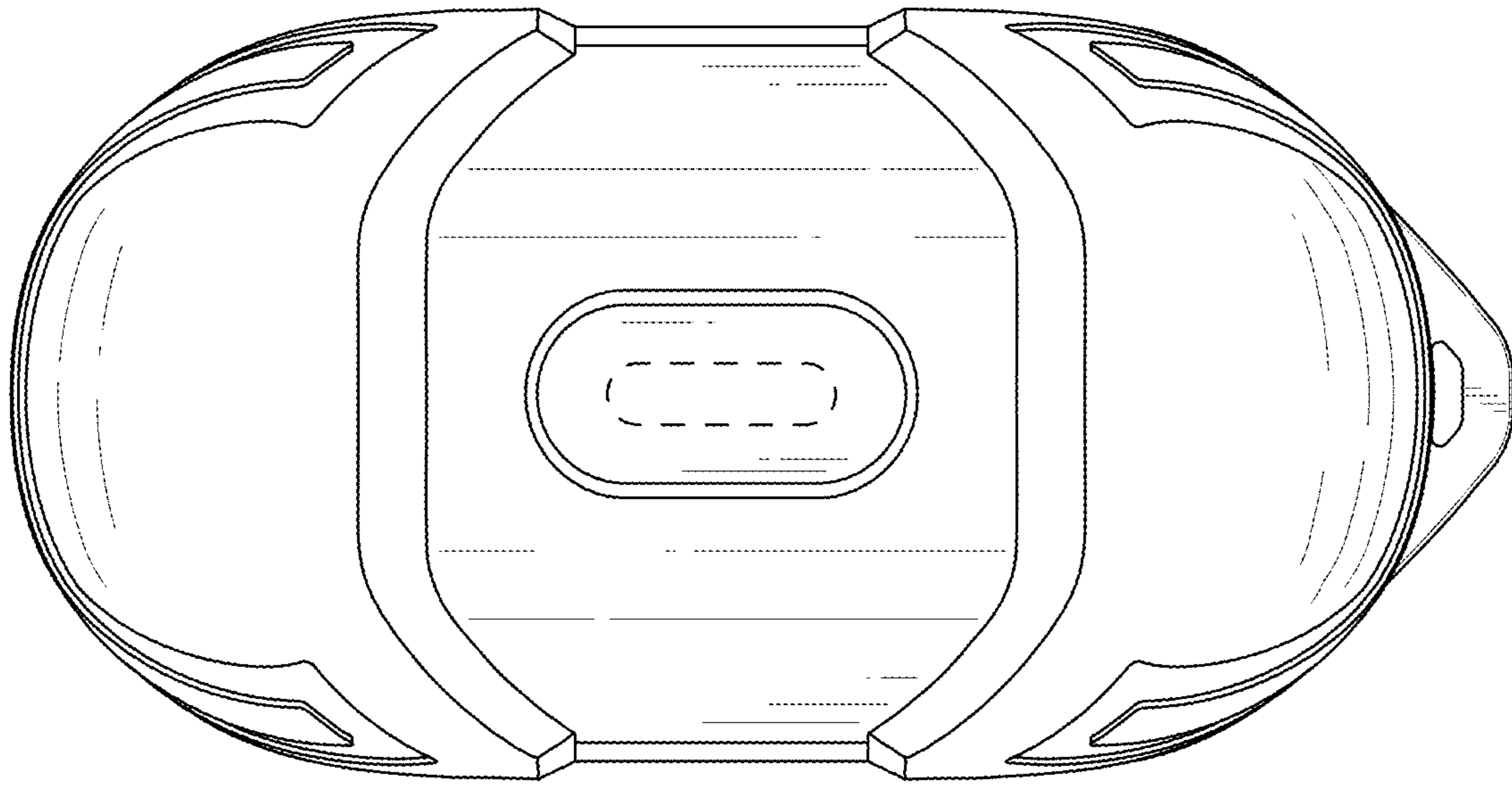


FIG. 8