



US00D902853S

(12) **United States Design Patent** (10) **Patent No.:** **US D902,853 S**
Lin (45) **Date of Patent:** **** Nov. 24, 2020**

(54) **CHARGER**

(71) Applicant: **Jinlong Lin**, N.T. (HK)
(72) Inventor: **Jinlong Lin**, N.T. (HK)
(73) Assignee: **SICTEC INSTRUMENTS COMPANY LIMITED**, Hong Kong (CN)

(**) Term: **15 Years**

(21) Appl. No.: **29/695,518**

(22) Filed: **Jun. 19, 2019**

(51) **LOC (12) Cl.** **13-02**

(52) **U.S. Cl.**
USPC **D13/108**

(58) **Field of Classification Search**
USPC D13/103, 107-108, 110, 184, 199;
D14/251, 253, 432, 434
CPC H02J 7/0044; H02J 7/0045; H02J 7/0042;
H02J 7/342; H02J 7/345; H02J 7/025;
H02J 7/026; H02J 7/0007; H02J 7/0027;
H02J 7/0003; H02J 50/00; H02J 50/10;
H02J 50/12; H02J 50/80; H02J 50/40
See application file for complete search history.

(56) **References Cited**

U.S. PATENT DOCUMENTS

D647,476 S * 10/2011 Ciou D13/110
D652,380 S * 1/2012 Chen D13/110
D657,743 S * 4/2012 Andre D13/110

D663,687 S * 7/2012 Liu D13/108
D682,781 S * 5/2013 Wakafuji D13/110
D694,183 S * 11/2013 Matsuoka D13/110
D694,185 S * 11/2013 Matsuoka D13/110
D711,824 S * 8/2014 Matsuoka D13/110
D741,796 S * 10/2015 Robinson D13/108
D742,315 S * 11/2015 Dang D13/110
D772,160 S * 11/2016 Roberts D13/110
D796,432 S * 9/2017 Liu D13/107
D820,207 S * 6/2018 Lemelson D13/110
D820,208 S * 6/2018 Lemelson D13/110
D820,209 S * 6/2018 Lemelson D13/110
D872,013 S * 1/2020 Lee D13/108
D879,710 S * 3/2020 Yang D13/108
D883,198 S * 5/2020 Zhang D13/107

* cited by examiner

Primary Examiner — Rosemary K Tarcza

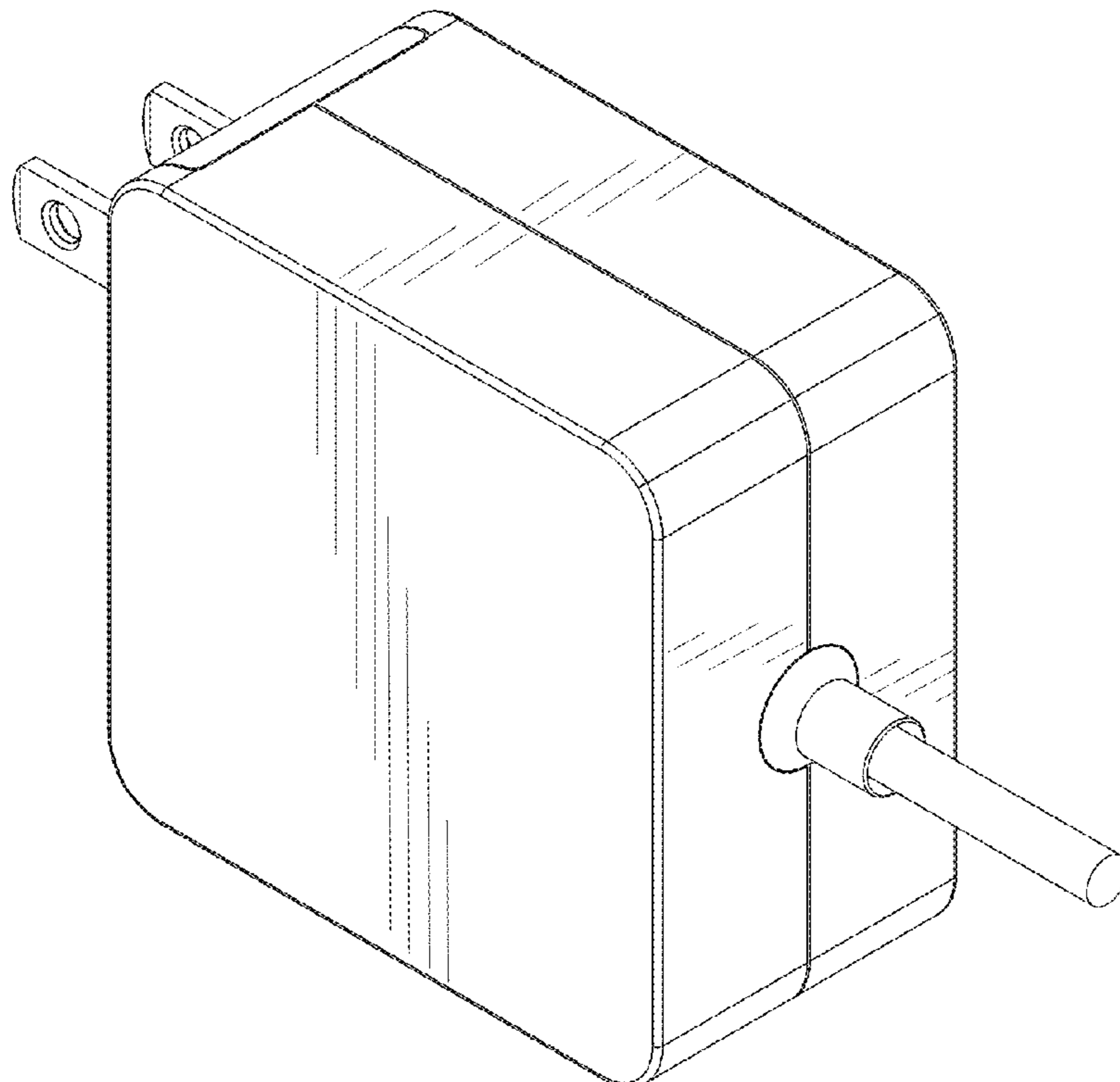
(57) **CLAIM**

The ornamental design for a charger, as shown and described.

DESCRIPTION

FIG. 1 is a front, top perspective view of the charger showing my new design;
FIG. 2 is a rear, bottom perspective view thereof;
FIG. 3 is a front elevational view thereof;
FIG. 4 is a rear elevational view thereof;
FIG. 5 is a left side elevational view thereof;
FIG. 6 is a right side elevational view thereof;
FIG. 7 is a top plan view thereof; and,
FIG. 8 is a bottom plan view thereof.

1 Claim, 8 Drawing Sheets



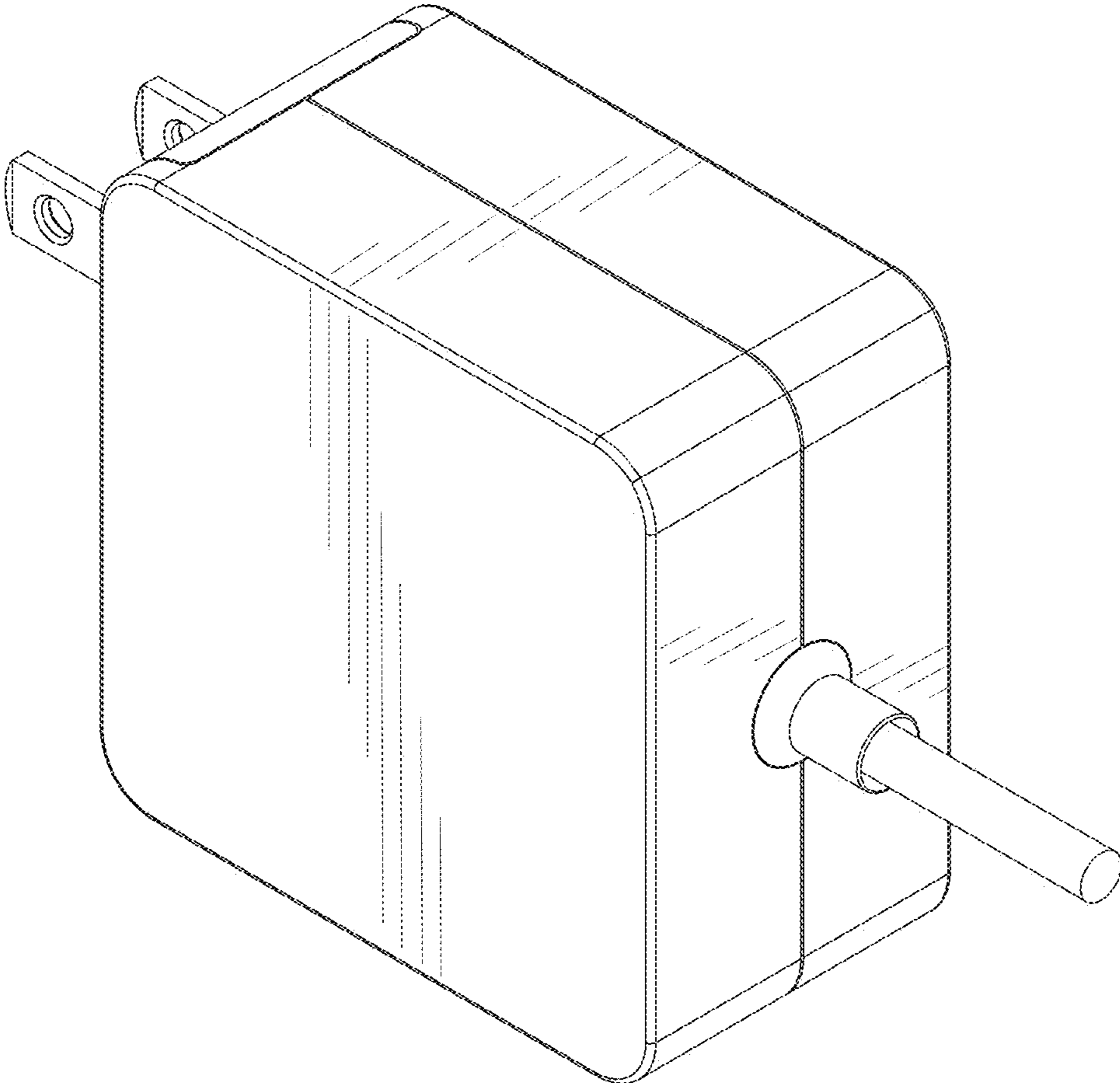


FIG.1

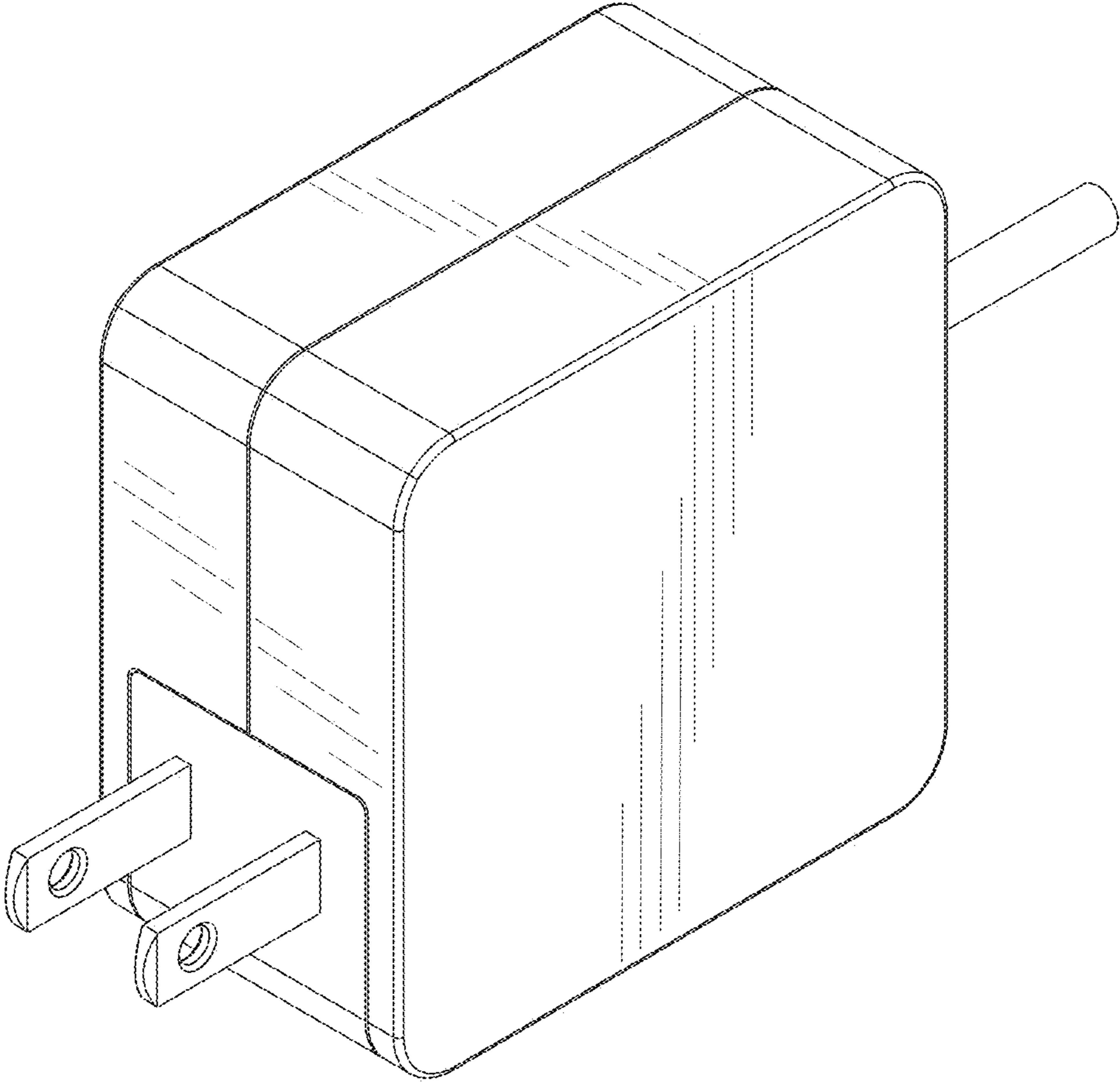


FIG.2

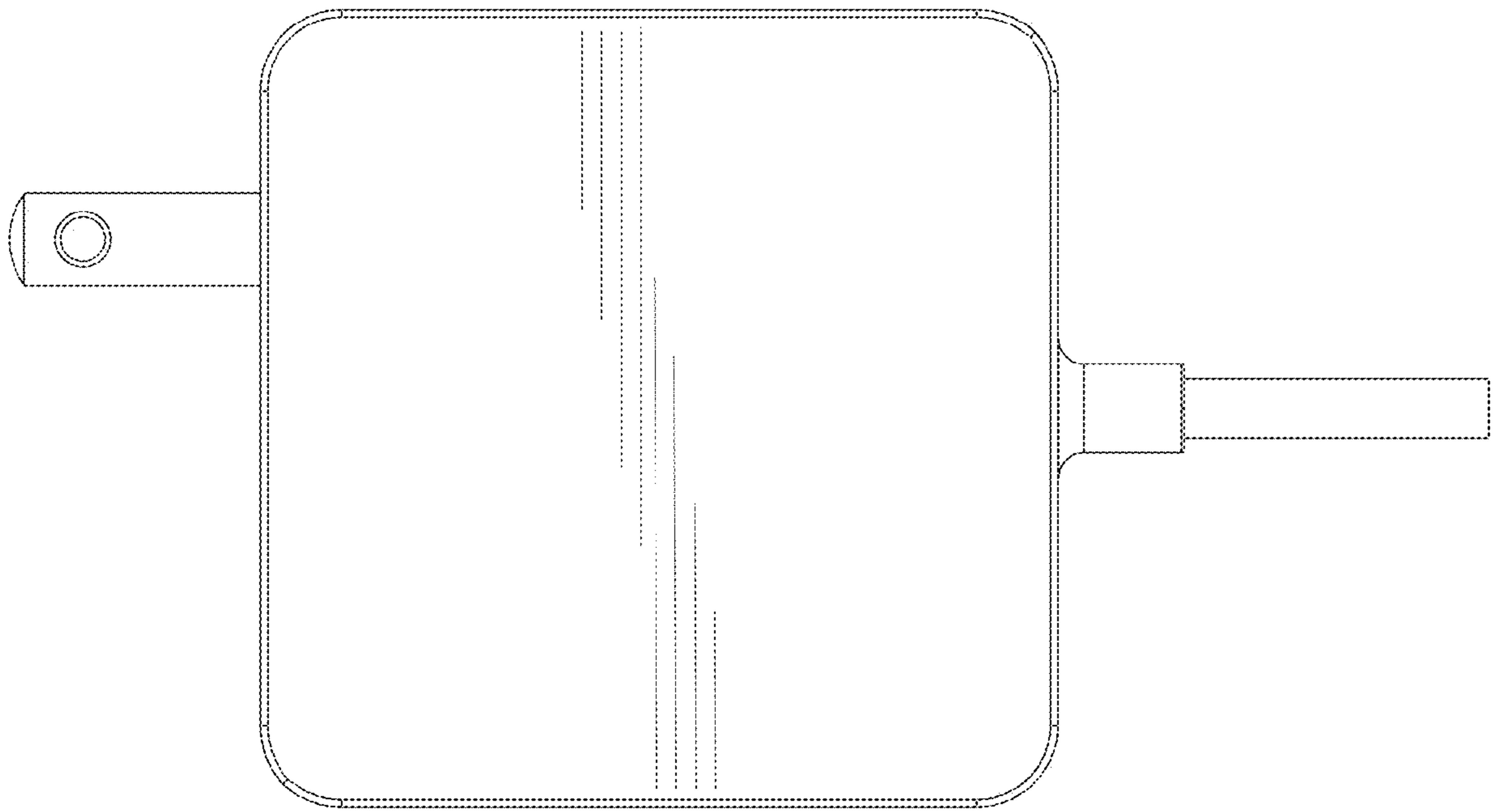


FIG.3

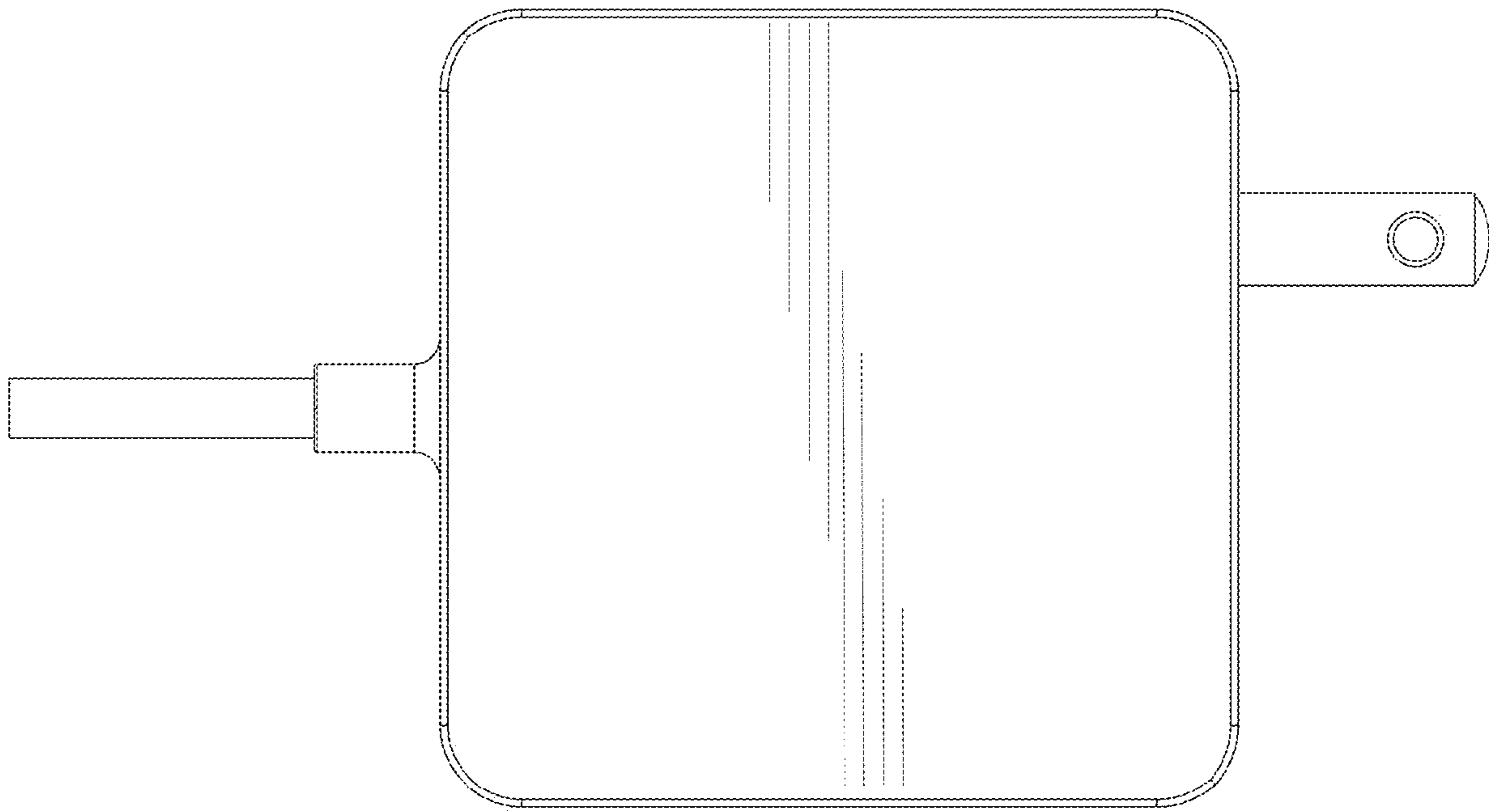


FIG.4

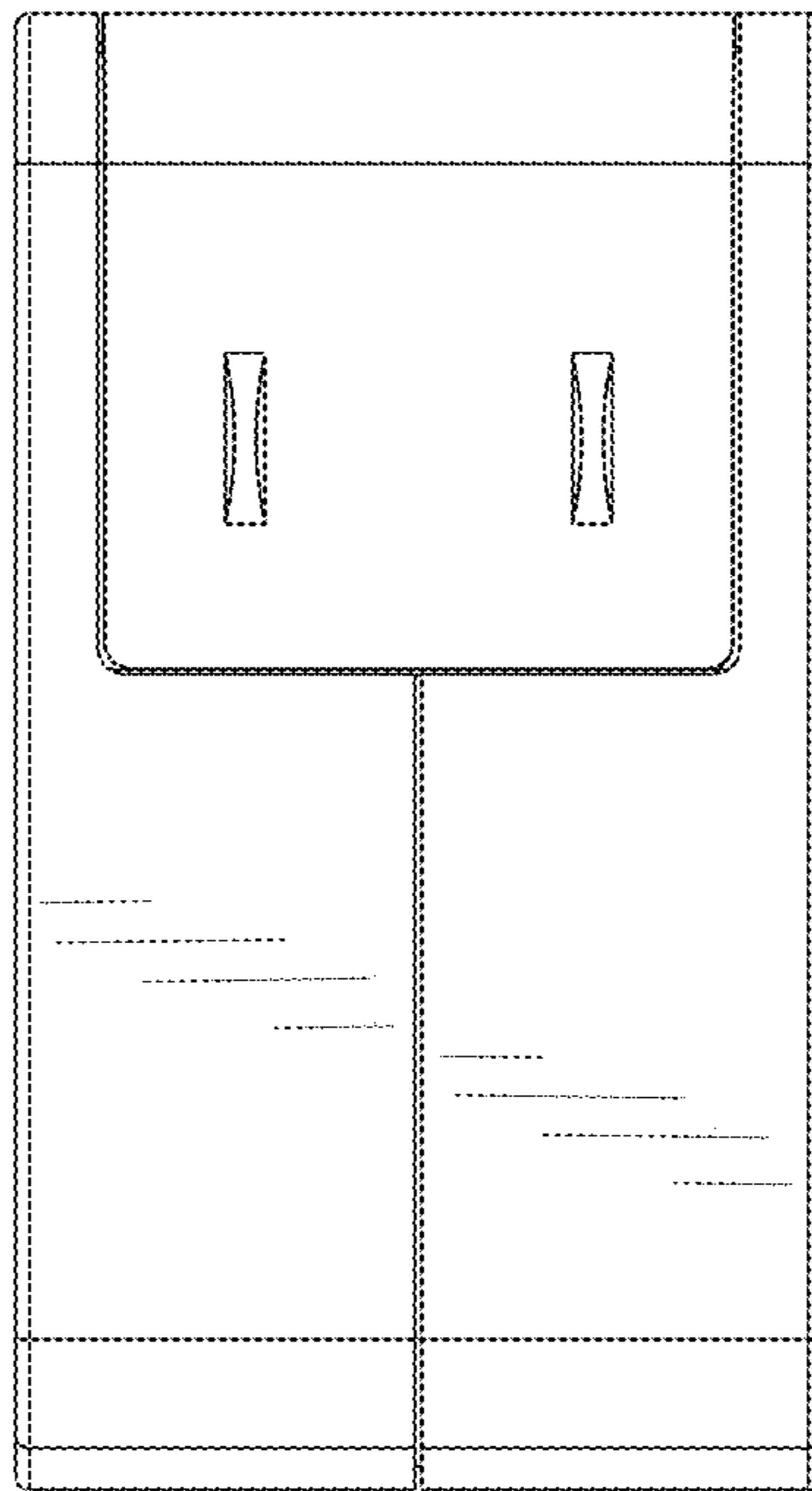


FIG.5

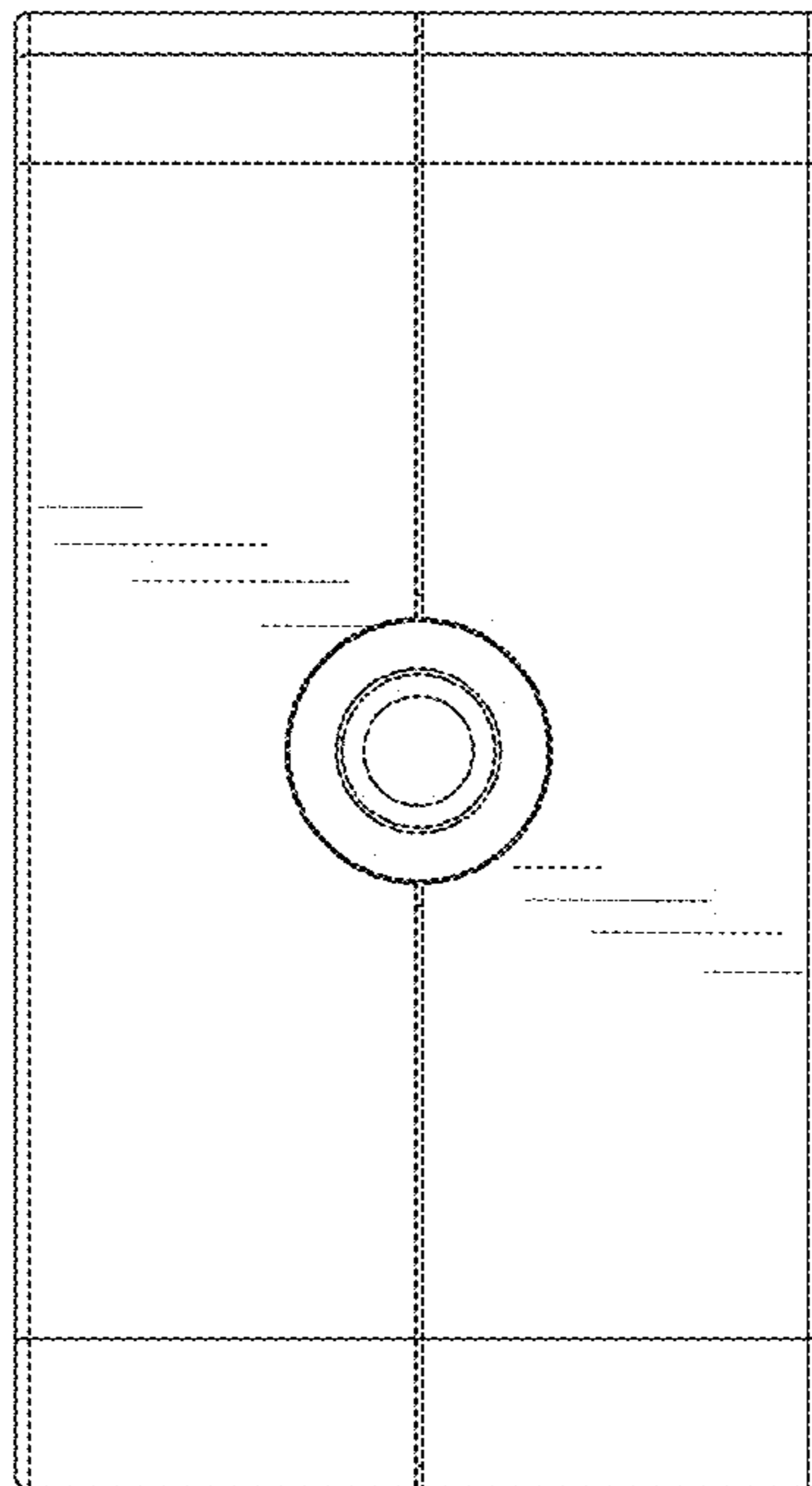


FIG.6

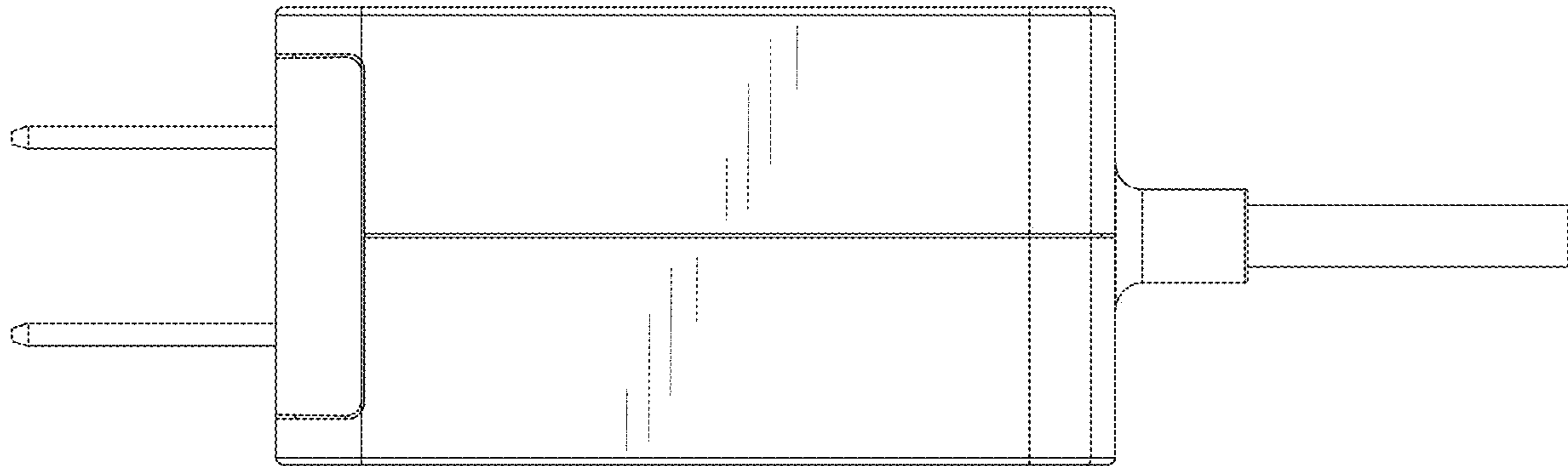


FIG.7

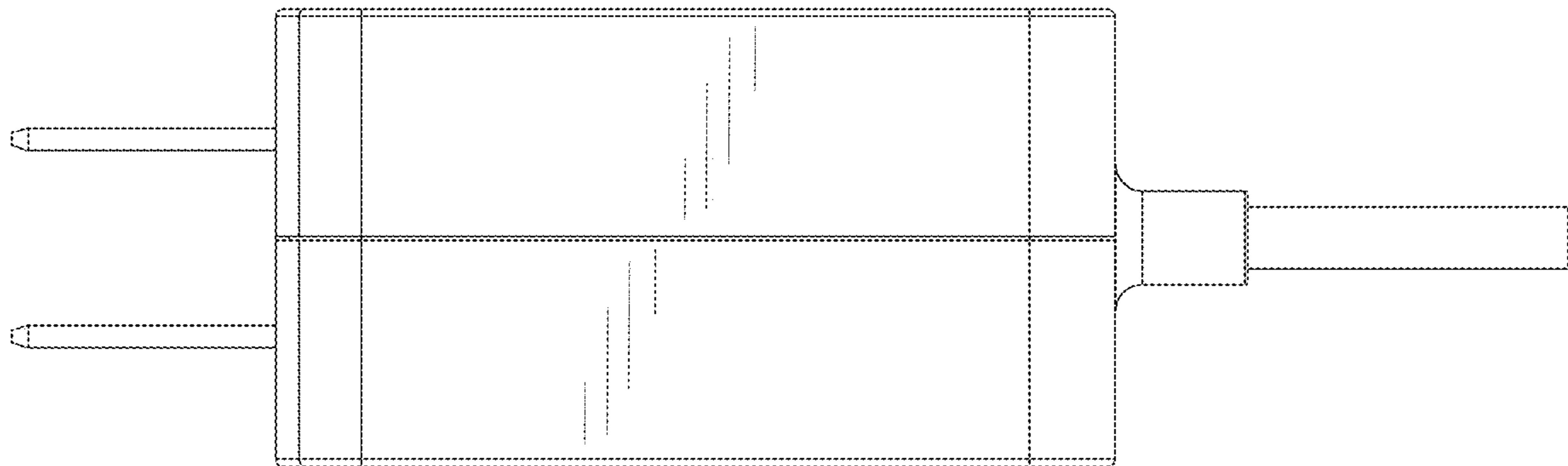


FIG.8