



US00D902852S

(12) **United States Design Patent** (10) **Patent No.:** **US D902,852 S**
Lin (45) **Date of Patent:** **** Nov. 24, 2020**

(54) **CHARGER**
(71) Applicant: **Jinlong Lin**, N.T. (HK)
(72) Inventor: **Jinlong Lin**, N.T. (HK)
(73) Assignee: **SICTEC INSTRUMENTS COMPANY LIMITED**, Hong Kong (CN)
(**) Term: **15 Years**
(21) Appl. No.: **29/695,517**
(22) Filed: **Jun. 19, 2019**
(51) **LOC (12) Cl.** **13-02**
(52) **U.S. Cl.**
USPC **D13/108; D13/103**
(58) **Field of Classification Search**
USPC D13/103, 107-108, 110, 184, 199;
D14/251, 253, 432, 434
CPC H02J 7/0044; H02J 7/0045; H02J 7/0042;
H02J 7/342; H02J 7/345; H02J 7/025;
H02J 7/026; H02J 7/0007; H02J 7/0027;
H02J 7/0003; H02J 50/00; H02J 50/10;
H02J 50/12; H02J 50/80; H02J 50/40
See application file for complete search history.

(56) **References Cited**
U.S. PATENT DOCUMENTS
D744,420 S * 12/2015 Chen D13/108
D756,915 S * 5/2016 Yang D13/108
D756,916 S * 5/2016 Yang D13/108
D762,169 S * 7/2016 Lei D13/108
D762,170 S * 7/2016 Lei D13/108
D780,116 S * 2/2017 Bing D13/107
D787,443 S * 5/2017 Chiang D13/110

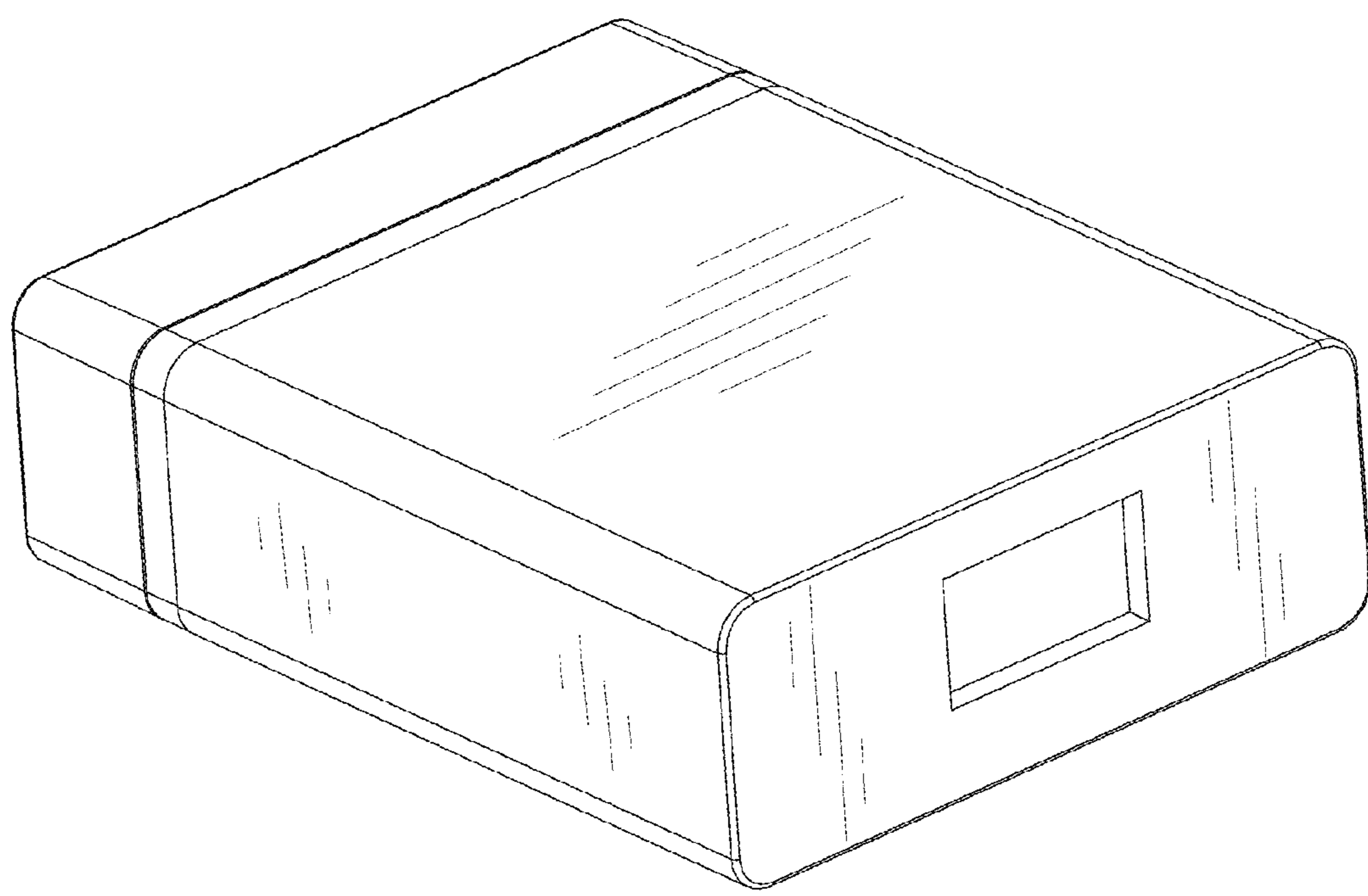
D788,036 S * 5/2017 Wang D13/108
D790,458 S * 6/2017 He D13/108
D790,464 S * 6/2017 He D13/110
D796,432 S * 9/2017 Liu D13/107
D798,811 S * 10/2017 Liao D13/110
D812,000 S * 3/2018 Li D13/108
D824,328 S * 7/2018 Liu D13/108
D826,854 S * 8/2018 Roberts D13/108
D838,241 S * 1/2019 Xie D13/108
D843,316 S * 3/2019 Zhou D13/108
D853,958 S * 7/2019 Lei D13/108
D877,075 S * 3/2020 Liao D13/110
D883,198 S * 5/2020 Zhang D13/107
D883,925 S * 5/2020 Yoon D13/108
D886,054 S * 6/2020 Liao D13/108
D892,735 S * 8/2020 Zhang D13/108

* cited by examiner
Primary Examiner — Rosemary K Tarcza

(57) **CLAIM**
The ornamental design for a charger, as shown and described.

DESCRIPTION
FIG. 1 is a front, top perspective view of the charger showing my new design;
FIG. 2 is a rear, bottom perspective view thereof;
FIG. 3 is a front elevational view thereof;
FIG. 4 is a rear elevational view thereof;
FIG. 5 is a left side elevational view thereof;
FIG. 6 is a right side elevational view thereof;
FIG. 7 is a top plan view thereof; and,
FIG. 8 is a bottom plan view thereof.
The broken lines in FIG. 2 and FIG. 4 depict the trademark of the charger that forms no part of the claimed design.

1 Claim, 7 Drawing Sheets



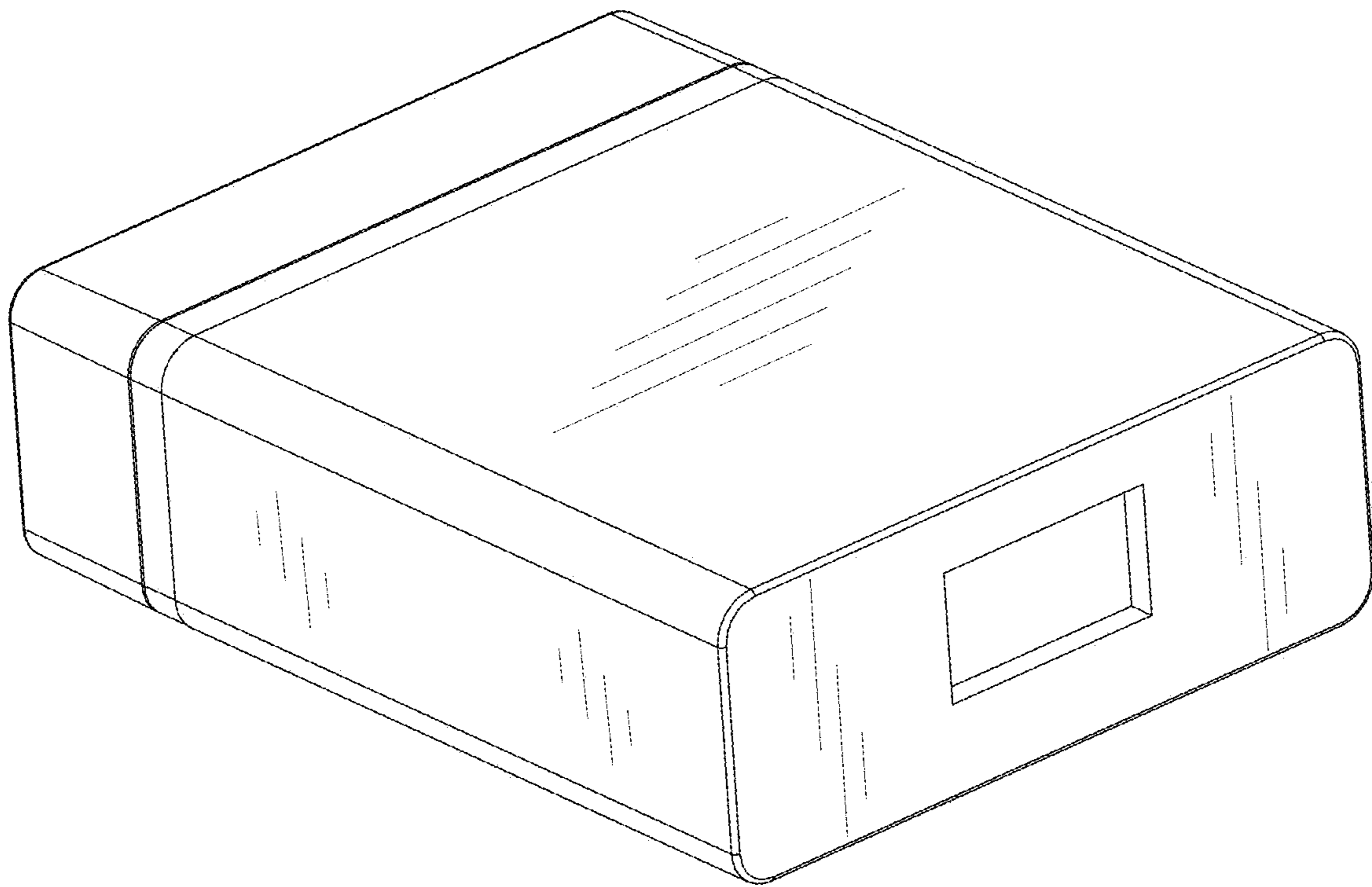


FIG.1

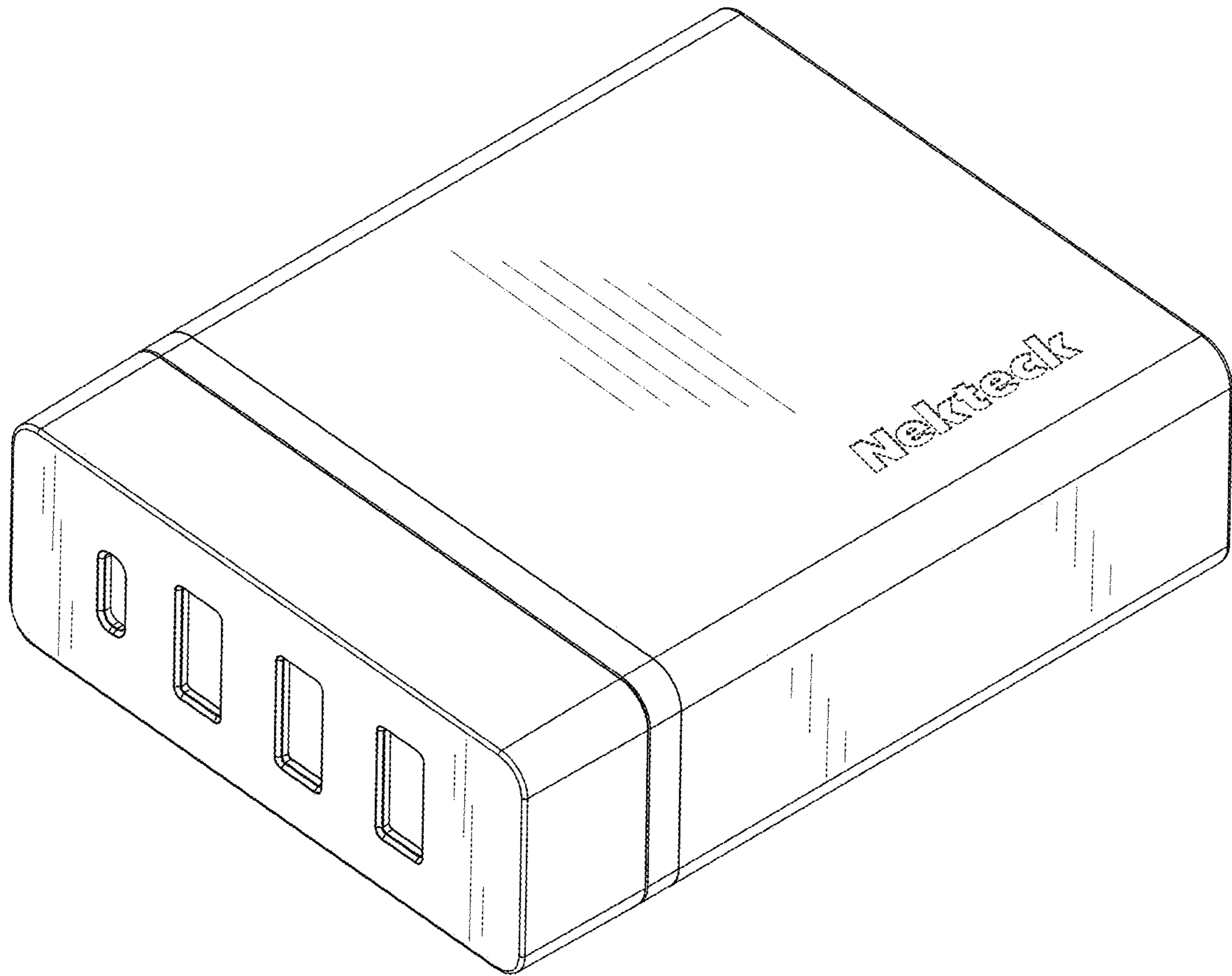


FIG.2

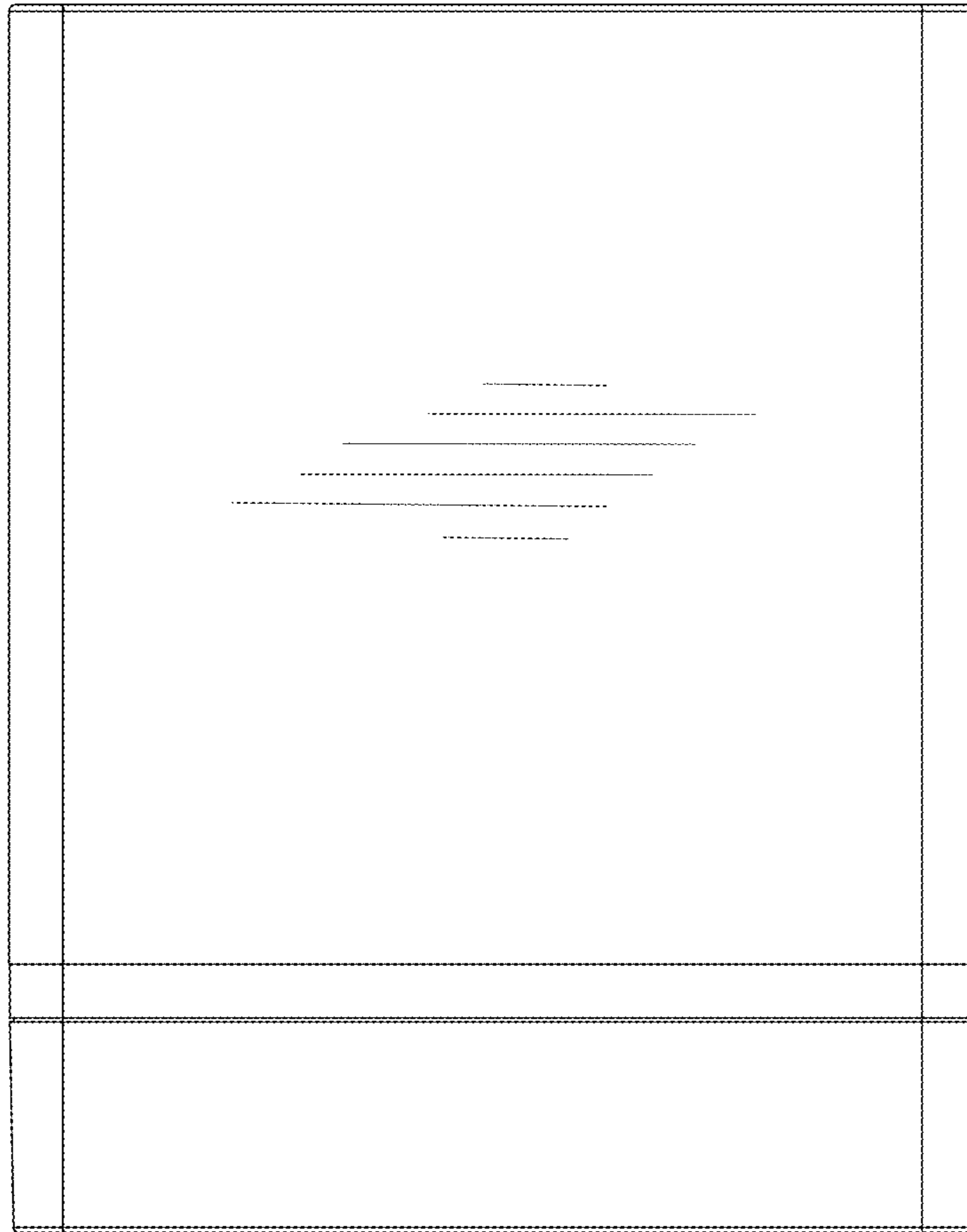


FIG.3

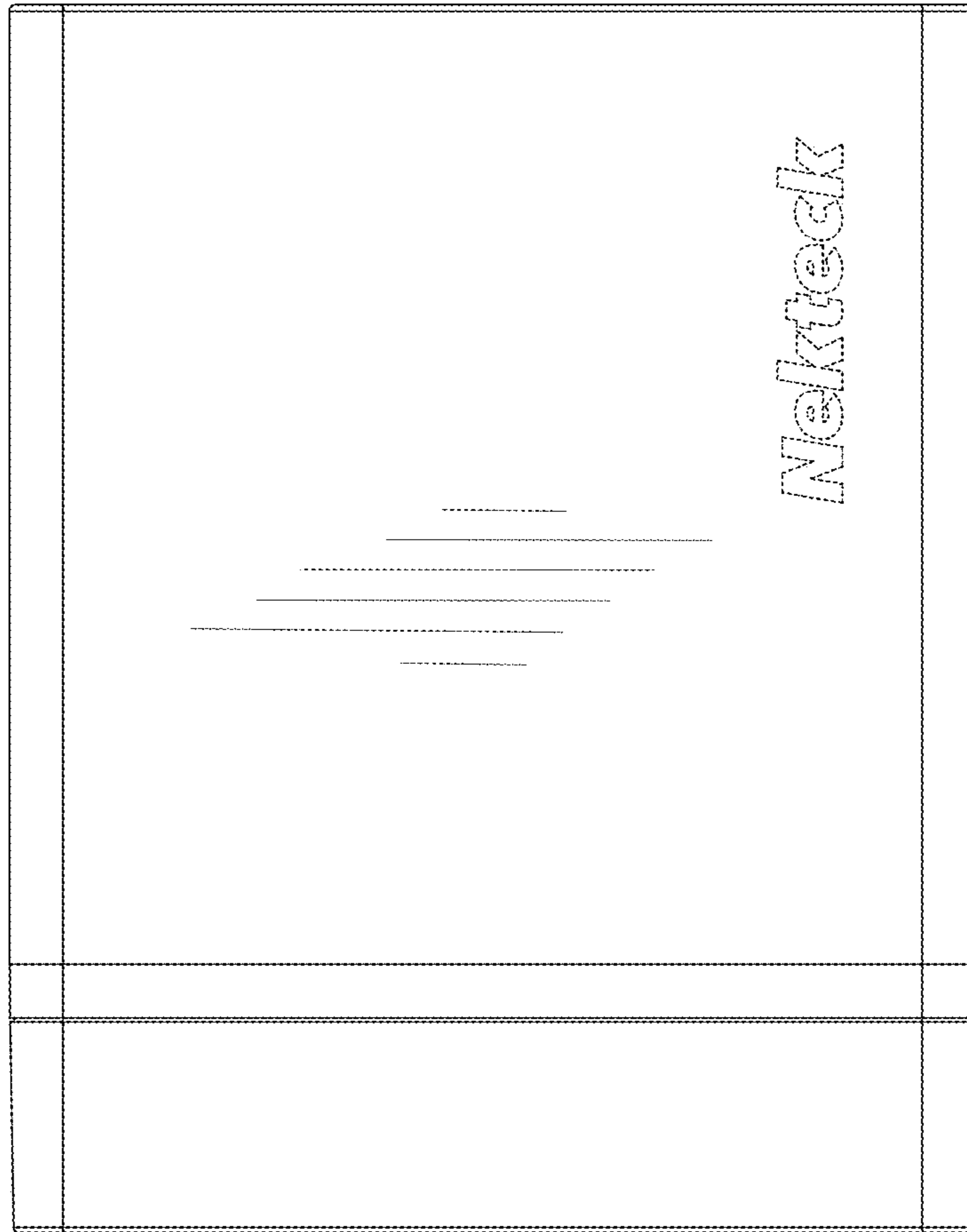


FIG.4

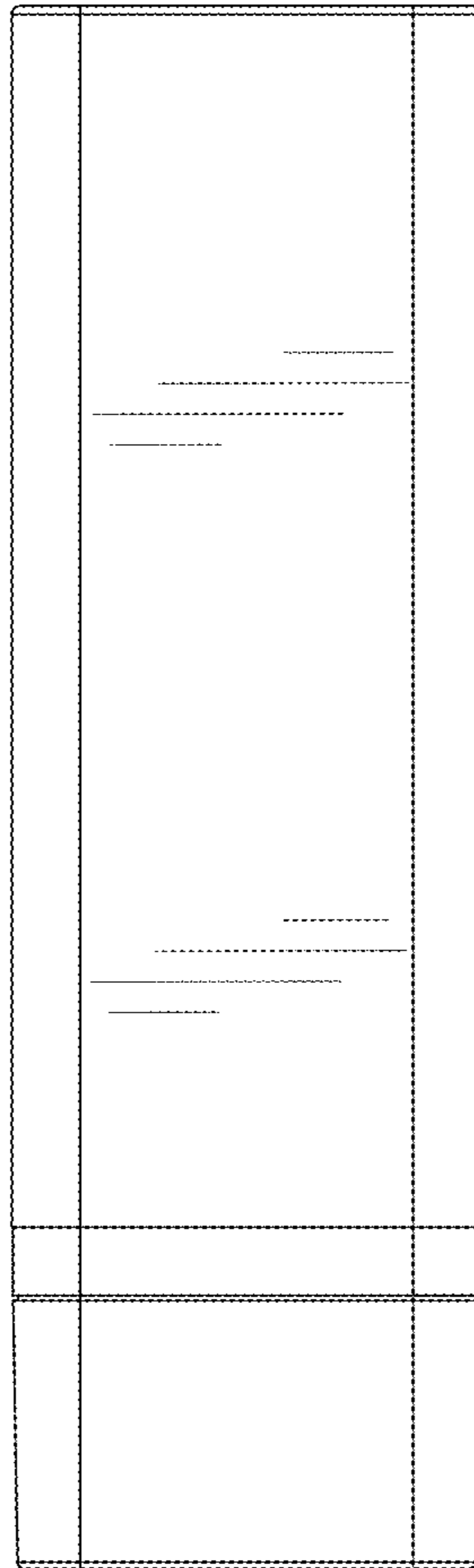


FIG.5

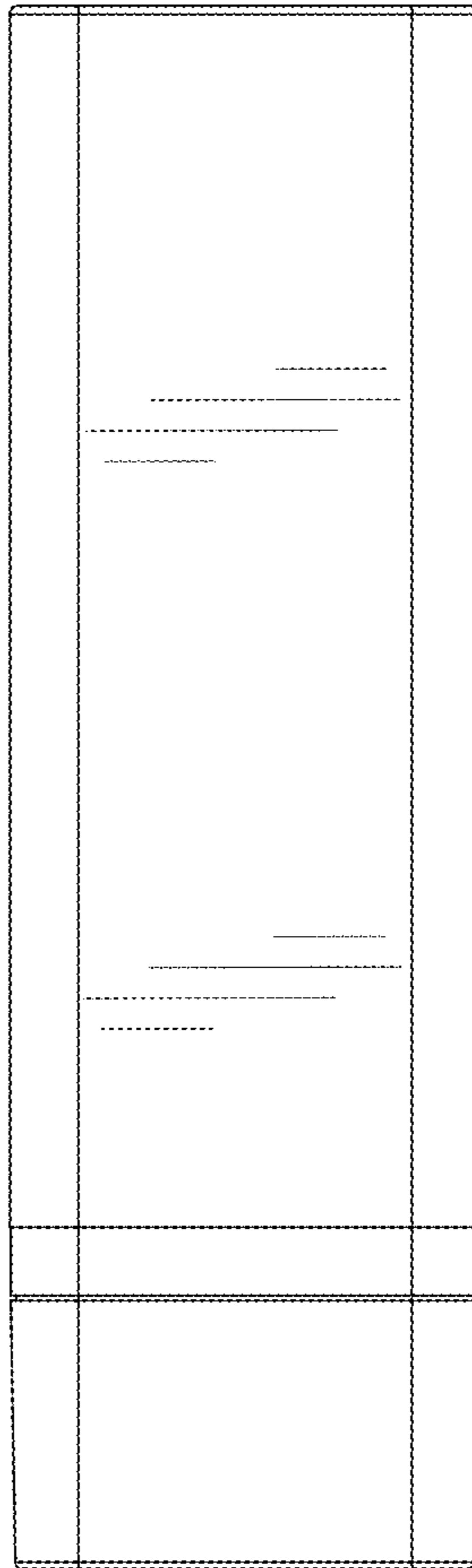


FIG.6

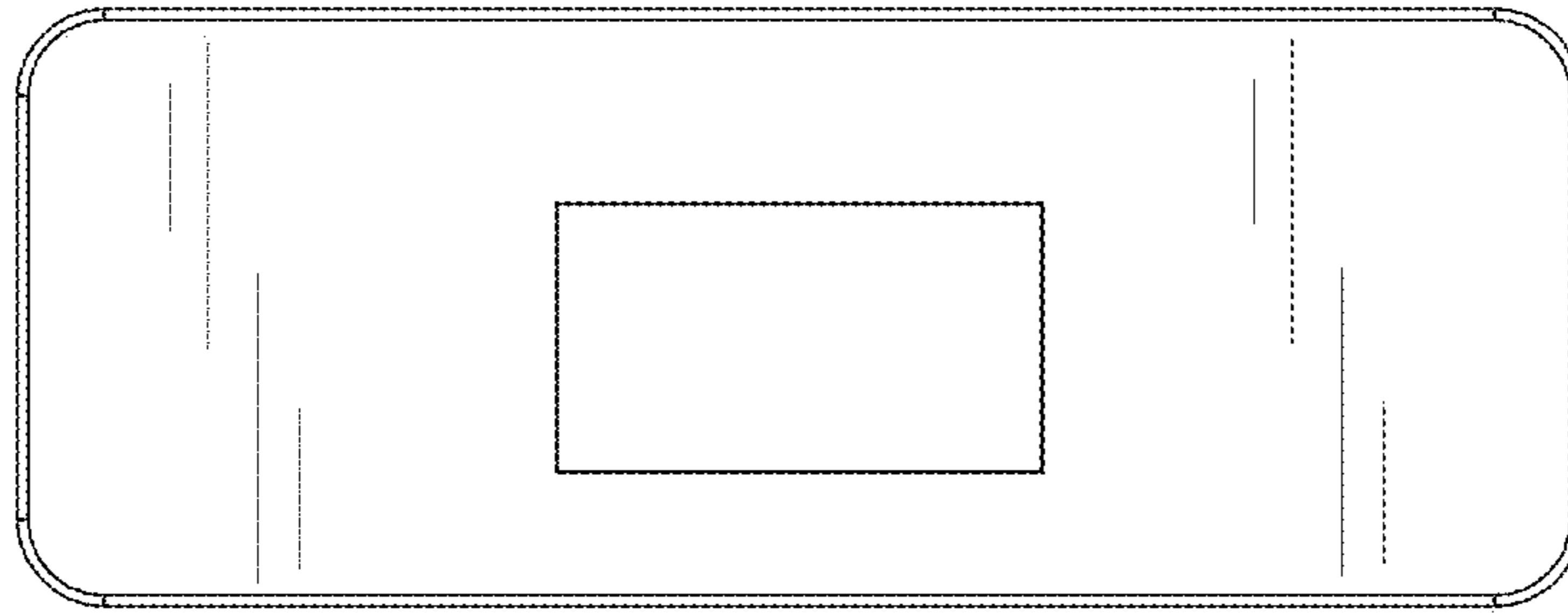


FIG. 7

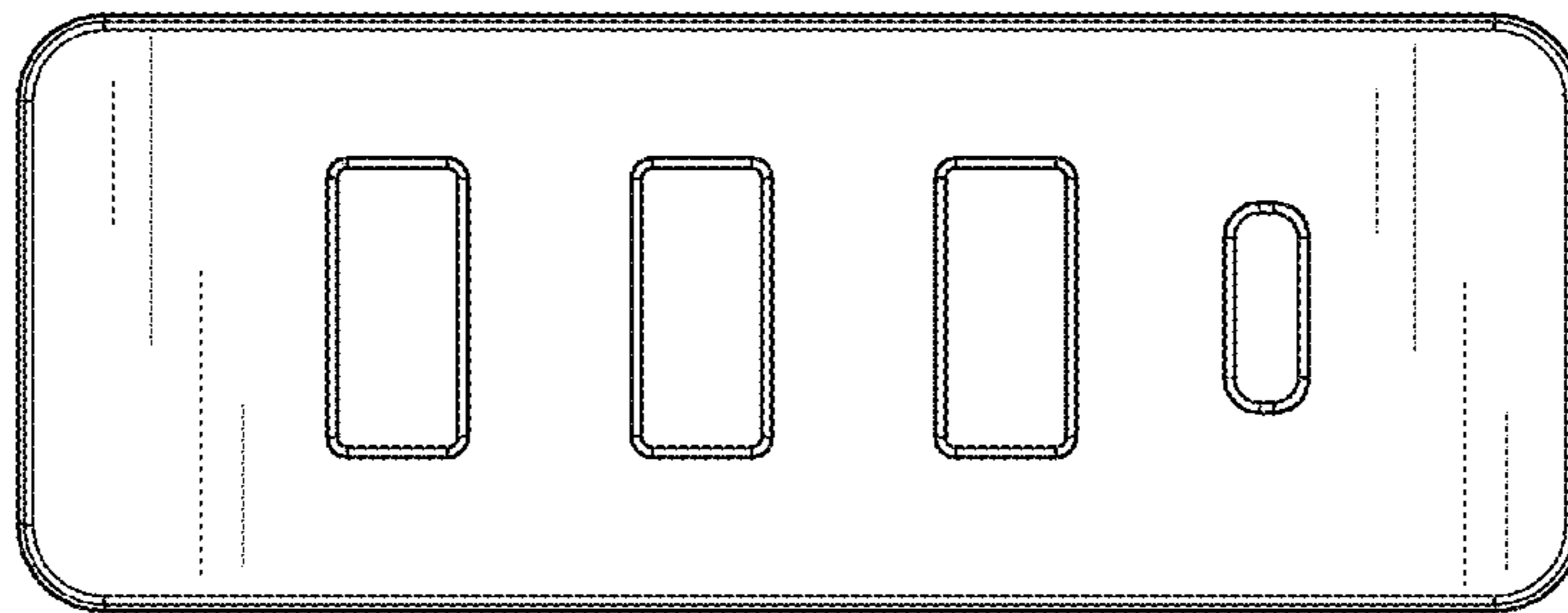


FIG. 8