



US00D902851S

(12) **United States Design Patent**  
**Wu**

(10) **Patent No.:** **US D902,851 S**

(45) **Date of Patent:** **\*\* Nov. 24, 2020**

(54) **JUMP STARTER**

(71) Applicant: **Zhipeng Wu**, Shenzhen (CN)

(72) Inventor: **Zhipeng Wu**, Shenzhen (CN)

(\*\*) Term: **15 Years**

(21) Appl. No.: **29/746,996**

(22) Filed: **Aug. 19, 2020**

(51) **LOC (12) Cl.** ..... **13-02**

(52) **U.S. Cl.**  
USPC ..... **D13/107**

(58) **Field of Classification Search**

USPC ..... D13/103, 107-110, 118-119, 184, 199  
CPC .... H02J 7/02; H02J 7/14; H02J 7/1438; H02J  
7/342; H02J 7/345; H02J 1/122; H02J  
2310/48; H02J 7/0026; H02J 7/0042;  
H02J 7/0044; H02J 7/0045; H02J 7/0013;  
H02J 7/0003; H01M 2/02; H01M 2/0202;  
H01M 2/0237

See application file for complete search history.

(56) **References Cited**

**U.S. PATENT DOCUMENTS**

D654,854 S	*	2/2012	Inskeep	.....	D13/107
D742,310 S	*	11/2015	Yen	.....	D13/108
D742,822 S	*	11/2015	Ju	.....	D13/108
D743,332 S	*	11/2015	Ju	.....	D13/108
D745,455 S	*	12/2015	Nook	.....	D13/107
D769,188 S	*	10/2016	Miller	.....	D13/108
D786,192 S	*	5/2017	Liu	.....	D13/107
D786,790 S	*	5/2017	Miller	.....	D13/108
D803,151 S	*	11/2017	Zhou	.....	D13/107
D804,415 S	*	12/2017	Deng	.....	D13/108
D813,162 S	*	3/2018	Krantz	.....	D13/110
D821,306 S	*	6/2018	Liu	.....	D13/107
D823,793 S	*	7/2018	Xianxi	.....	D13/107

D838,669 S	*	1/2019	Miller	.....	D13/108
D851,586 S	*	6/2019	Liu	.....	D13/108
D861,597 S	*	10/2019	Gan	.....	D13/108
D871,329 S	*	12/2019	Chen	.....	D13/108
D872,011 S	*	1/2020	Rao	.....	D13/107
D872,012 S	*	1/2020	Rao	.....	D13/107
D874,396 S	*	2/2020	Rao	.....	D13/107
D884,608 S	*	5/2020	Gan	.....	D13/107
D885,329 S	*	5/2020	Gan	.....	D13/107
D885,330 S	*	5/2020	Gan	.....	D13/107
D886,048 S	*	6/2020	Gan	.....	D13/107
D892,727 S	*	8/2020	Gan	.....	D13/107
D896,749 S	*	9/2020	Wu	.....	D13/107
2016/0359352	A1*	12/2016	Chiu	.....	F02N 11/12
2018/0090961	A1*	3/2018	Namolovan	.....	H02J 7/342
2018/0269703	A1*	9/2018	Nook	.....	H01M 2/305

\* cited by examiner

*Primary Examiner* — Rosemary K Tarcza

(57) **CLAIM**

The ornamental design for a jump starter, as shown and described.

**DESCRIPTION**

FIG. 1 is a perspective view of a jump starter showing my new design;

FIG. 2 is another perspective view thereof;

FIG. 3 is a front elevational view thereof;

FIG. 4 is a rear elevational view thereof;

FIG. 5 is a left side elevational view thereof;

FIG. 6 is a right side elevational view thereof;

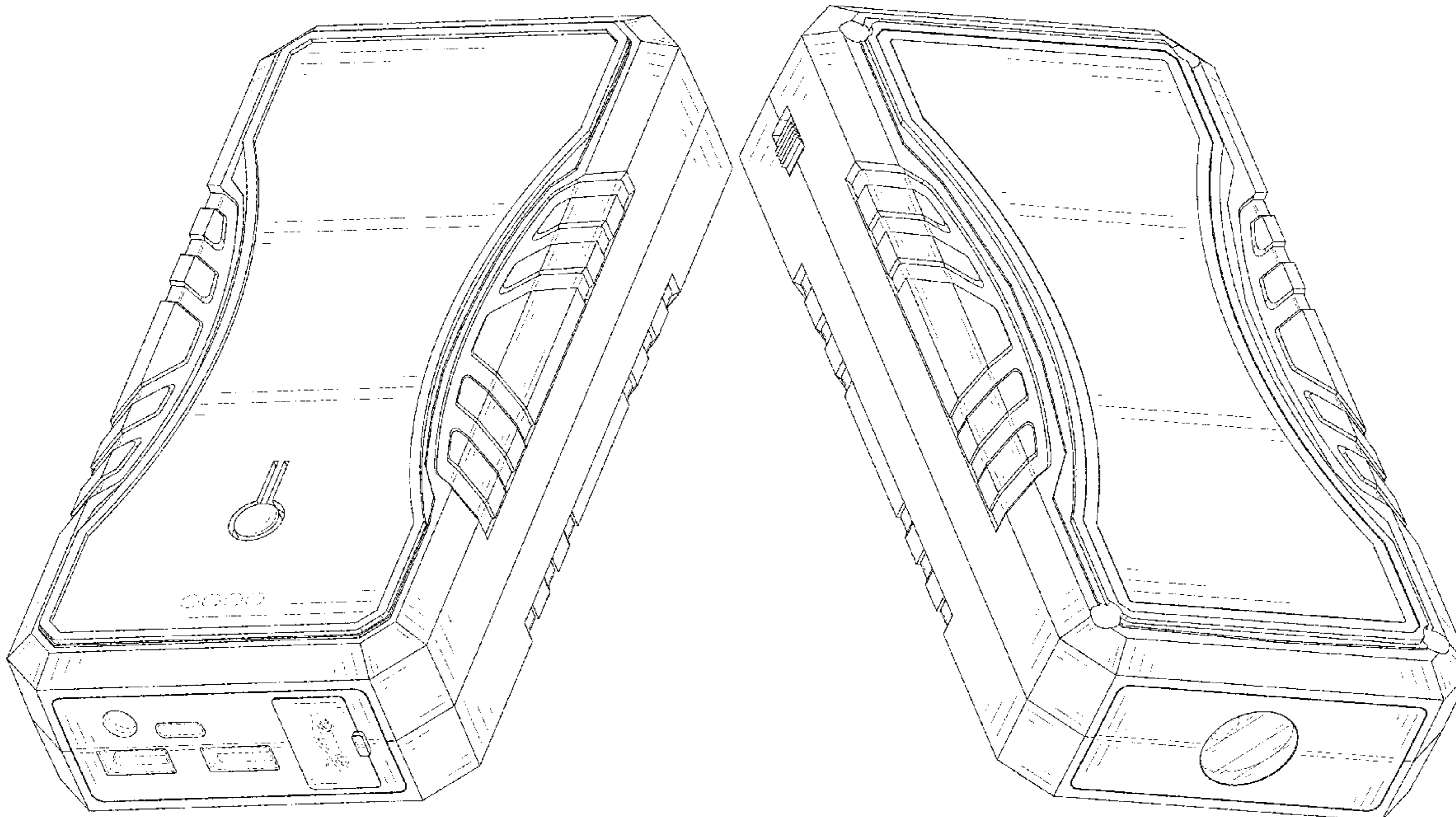
FIG. 7 is a top plan view thereof; and,

FIG. 8 is a bottom plan view thereof.

The broken lines in the drawings depict portions of the jump starter that form no part of the claimed design.

Claim

**1 Claim, 8 Drawing Sheets**



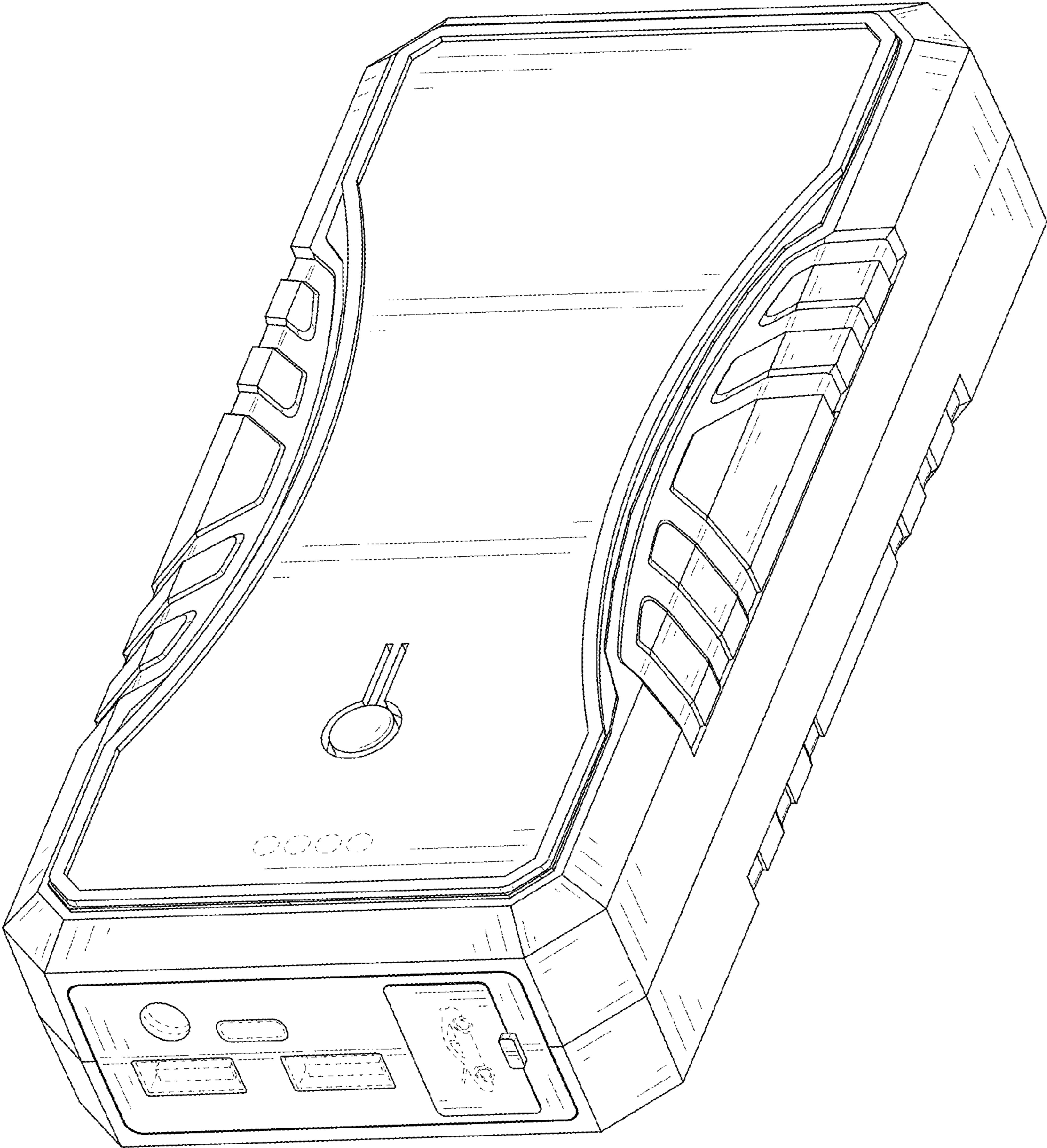


FIG. 1

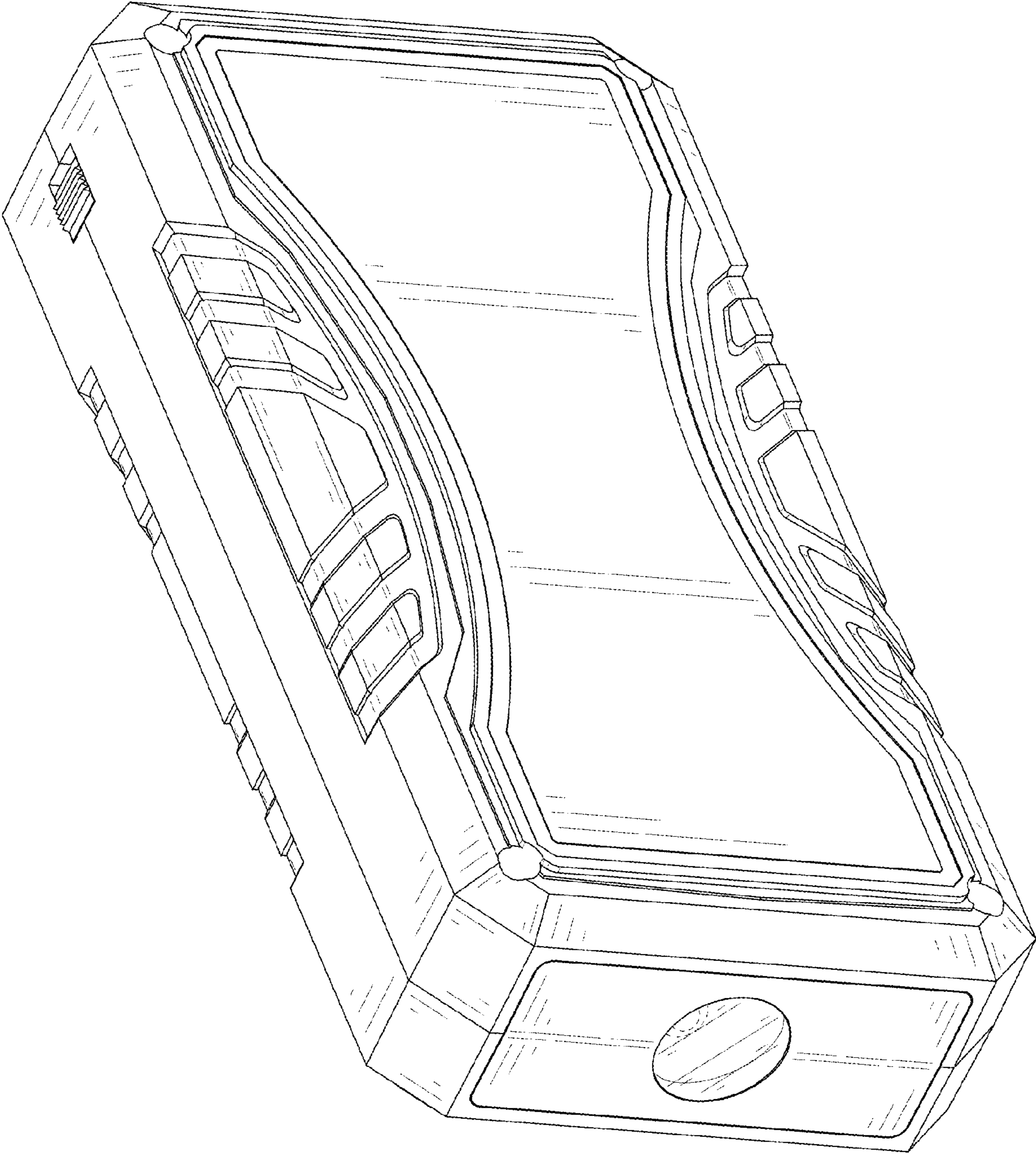


FIG. 2

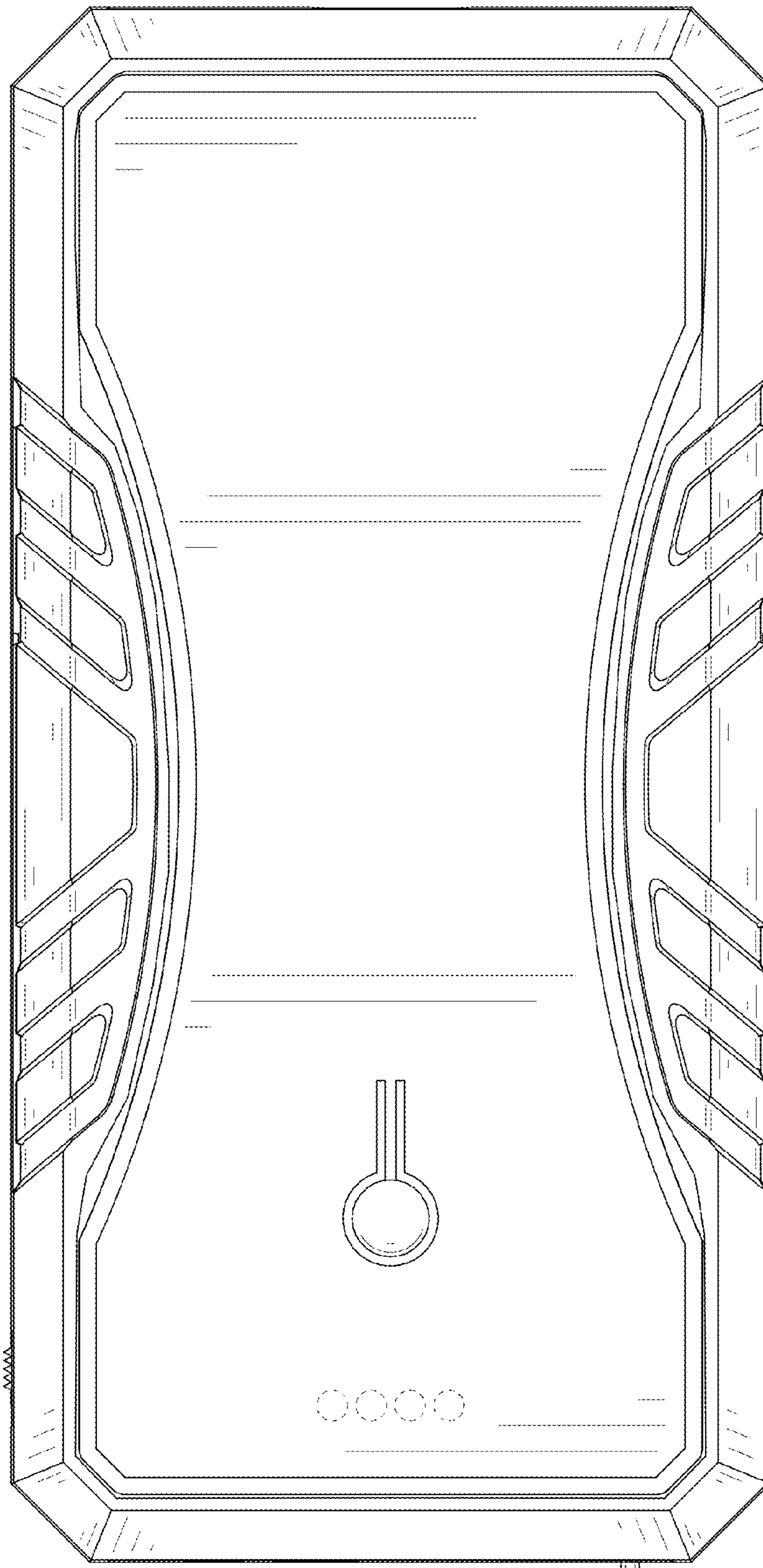


FIG. 3

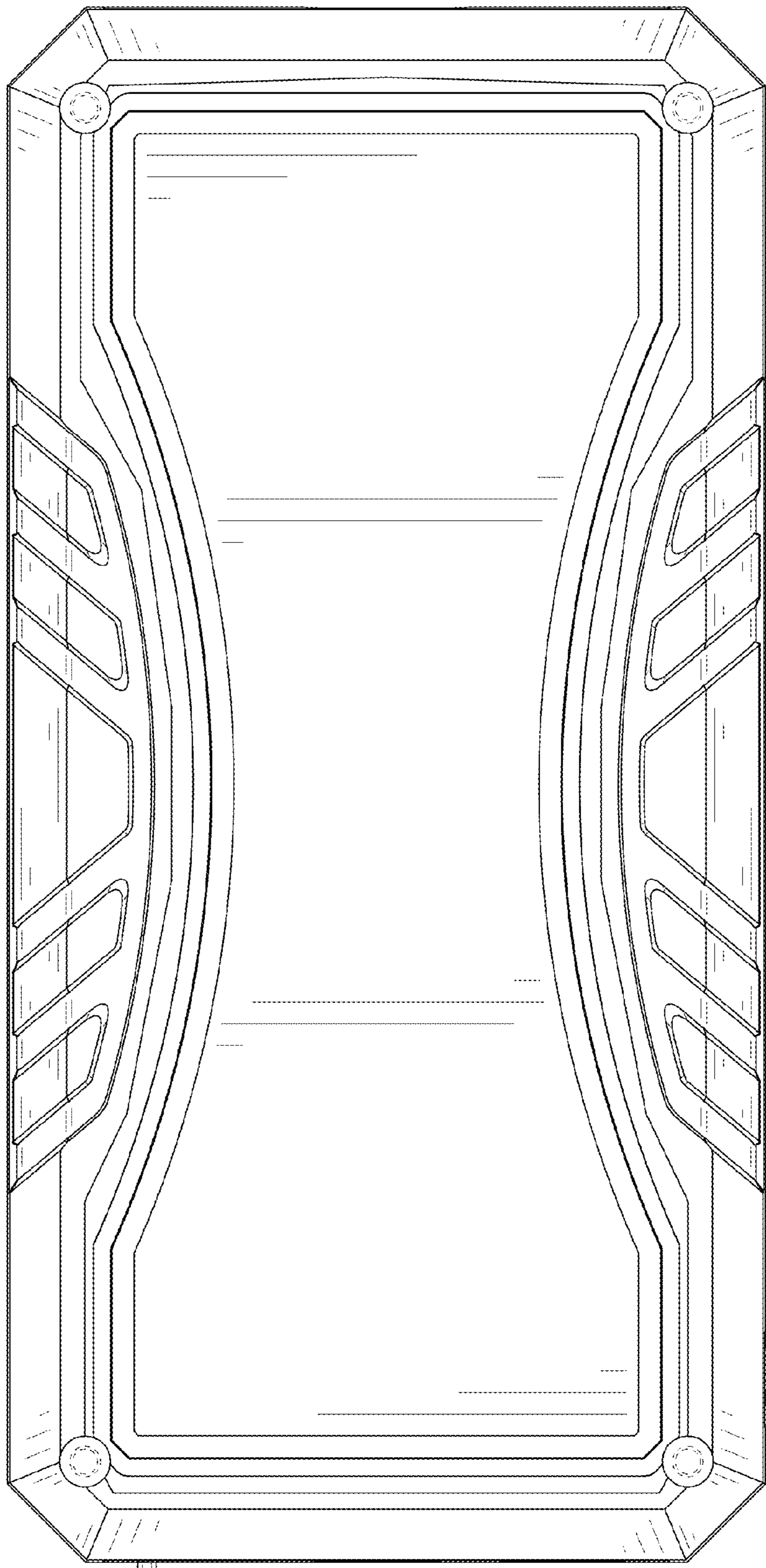


FIG. 4

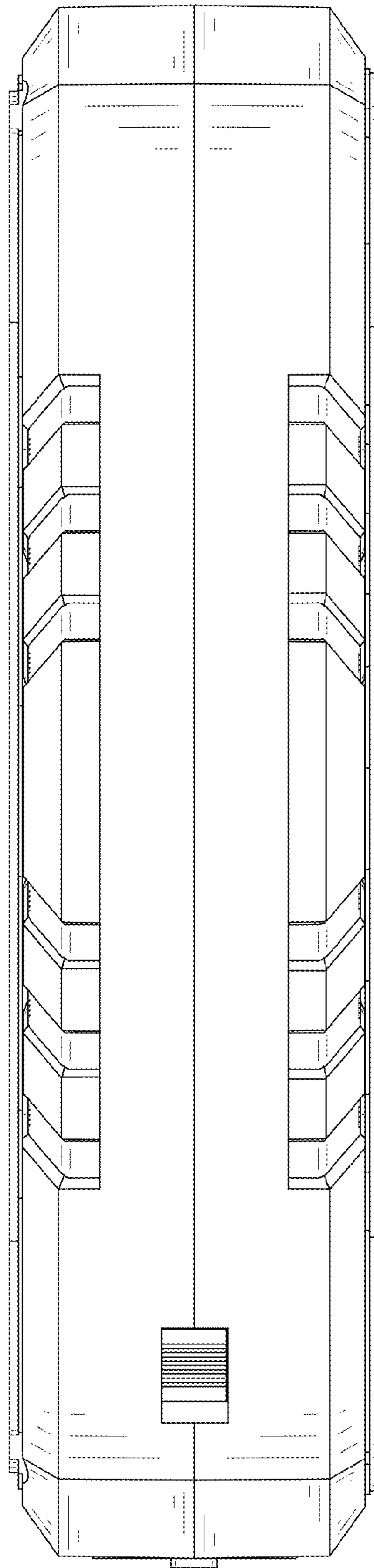


FIG. 5

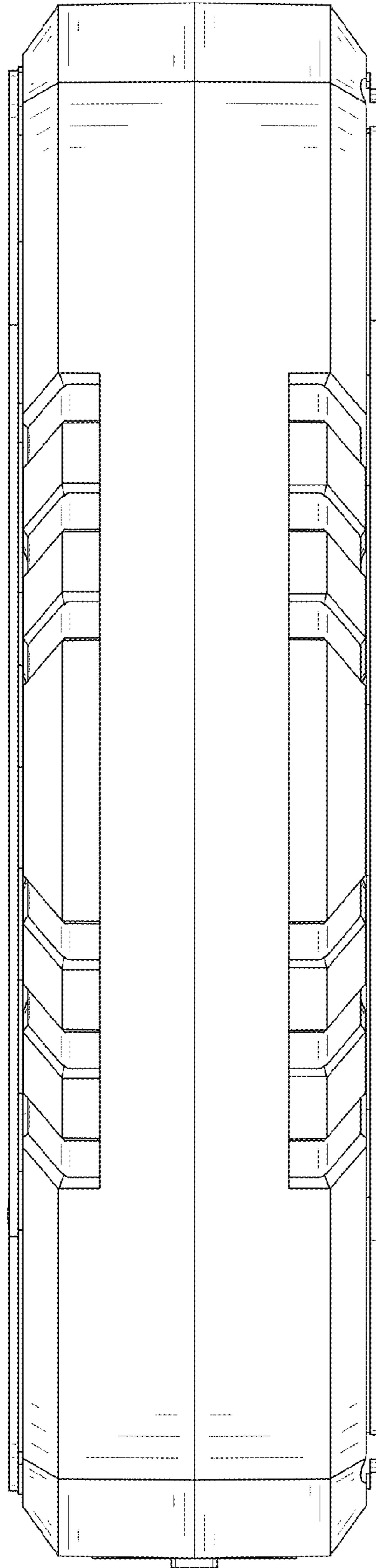


FIG. 6

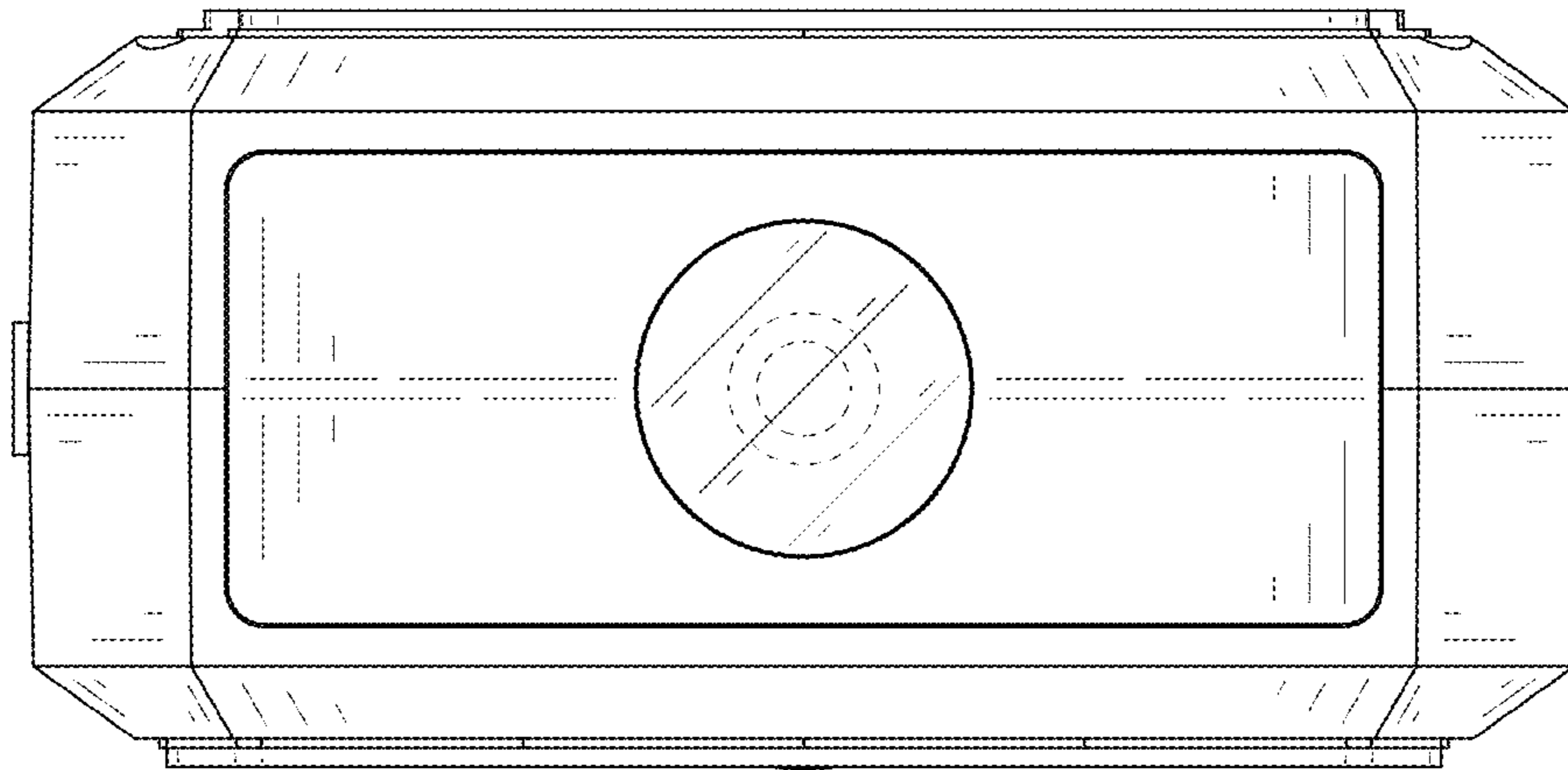


FIG. 7



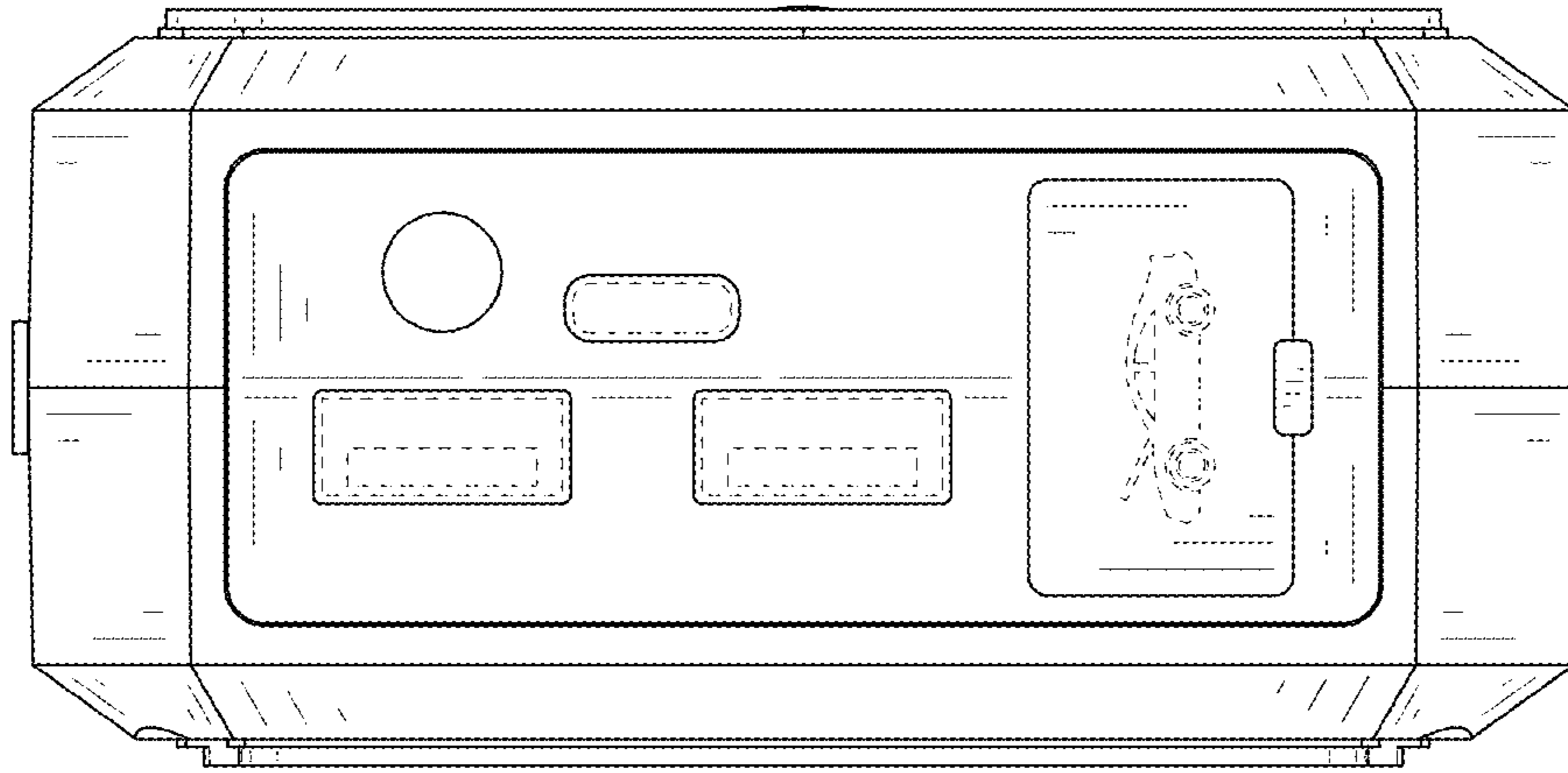


FIG. 8