



US00D902847S

(12) **United States Design Patent**
Sexton et al.

(10) **Patent No.:** **US D902,847 S**

(45) **Date of Patent:** **** Nov. 24, 2020**

(54) **CHARGER**

(71) Applicant: **Techtronic Cordless GP**, Anderson, SC (US)

(72) Inventors: **Joseph Sexton**, Charlotte, NC (US);
Shuang Lin, Charlotte, NC (US)

(73) Assignee: **Techtronic Cordless GP**, Anderson, SC (US)

(**) Term: **15 Years**

(21) Appl. No.: **29/696,039**

(22) Filed: **Jun. 25, 2019**

(51) **LOC (12) Cl.** **13-02**

(52) **U.S. Cl.**
USPC **D13/107**

(58) **Field of Classification Search**
USPC D13/103, 107-108, 110, 184, 199;
D14/251, 253, 432, 434

CPC H02J 7/0044; H02J 7/0045; H02J 7/0042;
H02J 7/342; H02J 7/345; H02J 7/025;
H02J 7/026; H02J 7/0007; H02J 7/0027;
H02J 7/0003; H02J 50/00; H02J 50/10;
H02J 50/12; H02J 50/80; H02J 50/40
See application file for complete search history.

(56) **References Cited**

U.S. PATENT DOCUMENTS

5,052,943	A	*	10/1991	Davis	H02J 7/0042
						439/357
D366,047	S	*	1/1996	Rak	D13/147
D506,065	S		6/2005	Sugino et al.		
D525,582	S	*	7/2006	Chan	D13/107
D529,438	S		10/2006	Viduya et al.		
D535,941	S	*	1/2007	Miyashita	D13/107
D557,203	S		12/2007	Grunow et al.		
D576,545	S		9/2008	Mandel et al.		
D580,351	S		11/2008	Elsmark et al.		
D580,852	S		11/2008	Heinzen et al.		

D589,439	S	3/2009	Van Wembeke
D591,231	S	4/2009	Nung et al.
D594,403	S	6/2009	Yang
D597,932	S	8/2009	Aglassinger
D597,933	S	8/2009	Aglassinger
D597,934	S	8/2009	Aglassinger
D598,373	S	8/2009	Aglassinger

(Continued)

OTHER PUBLICATIONS

Hoover Battery Pack, Applicant sold in the U.S. a battery similar to the one illustrated in Appendix A on Mar. 18, 2014.

Primary Examiner — Rosemary K Tarcza

(74) *Attorney, Agent, or Firm* — Michael Best & Friedrich LLP

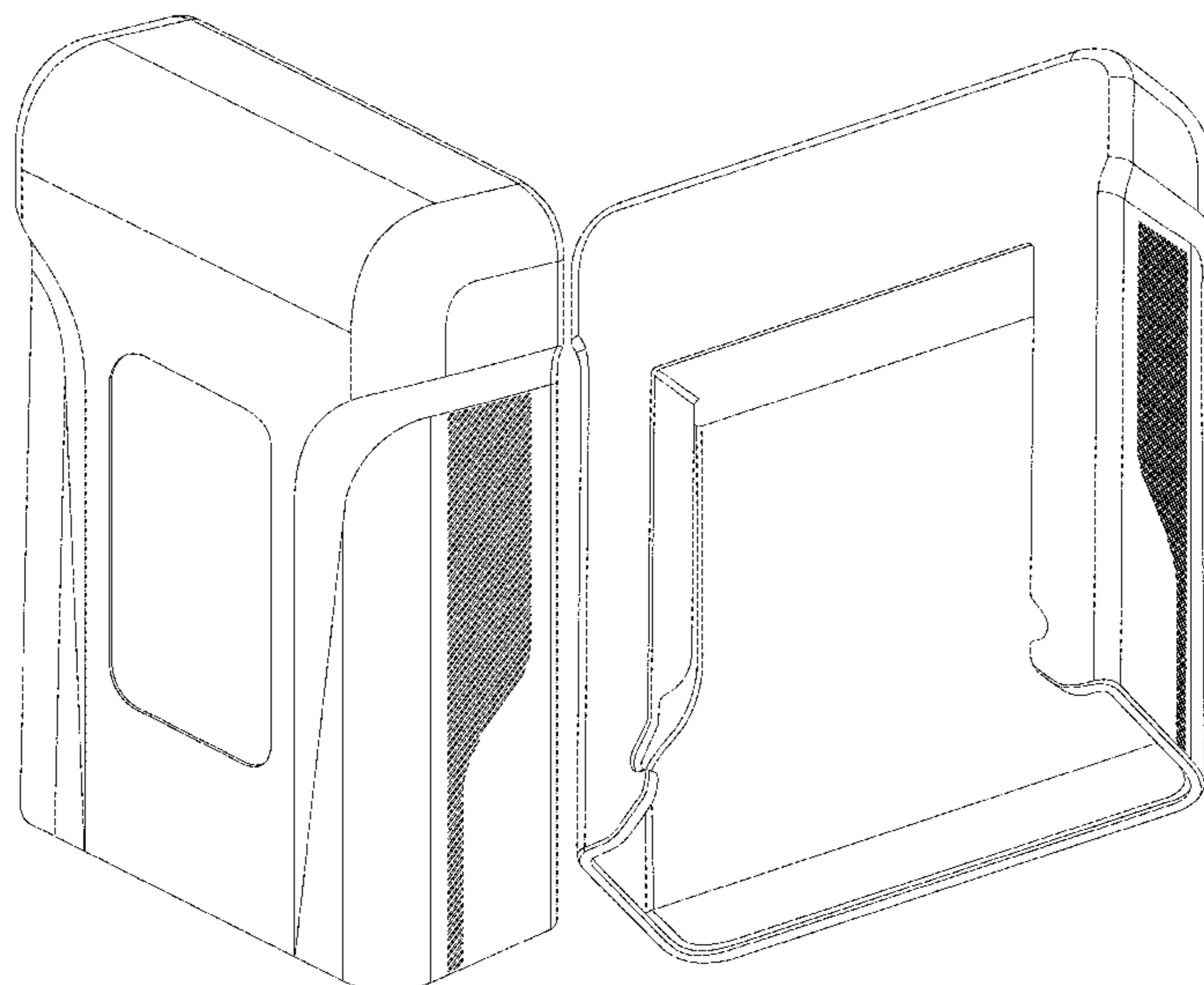
(57) **CLAIM**

We claim the ornamental design for a charger, as shown.

DESCRIPTION

FIG. 1 is a front perspective view of a charger, showing a first embodiment;
 FIG. 2 is a rear perspective view thereof;
 FIG. 3 is a front elevational view thereof;
 FIG. 4 is a rear elevational view thereof;
 FIG. 5 is a side elevational view thereof;
 FIG. 6 is an opposite side elevational view thereof;
 FIG. 7 is a top plan view thereof;
 FIG. 8 is a bottom plan view thereof;
 FIG. 9 is a front perspective view of a charger, showing a second embodiment;
 FIG. 10 is a rear perspective view thereof;
 FIG. 11 is a front elevational view thereof;
 FIG. 12 is a rear elevational view thereof;
 FIG. 13 is a side elevational view thereof;
 FIG. 14 is an opposite side elevational view thereof;
 FIG. 15 is a top plan view thereof; and,
 FIG. 16 is a bottom plan view thereof.

1 Claim, 12 Drawing Sheets



(56)

References Cited

U.S. PATENT DOCUMENTS

D606,935	S	12/2009	Murayama et al.	
D610,537	S	2/2010	Sweeney	
D610,985	S *	3/2010	Fahrendorff	D13/108
D613,685	S *	4/2010	Ju	D13/108
D618,167	S *	6/2010	Tiffe	D13/103
D633,036	S	2/2011	Murray	
D639,730	S	6/2011	Kawase	
D640,190	S	6/2011	Aglassinger	
D640,628	S	6/2011	Lopano et al.	
D642,119	S	7/2011	Baetica et al.	
D658,578	S	5/2012	Davis	
D669,851	S *	10/2012	Ikegame	D13/108
D679,651	S	4/2013	Stratford	
D680,064	S	4/2013	Tirone et al.	
D681,550	S	5/2013	Corbin	
D684,528	S	6/2013	Murray	
D711,818	S *	8/2014	Maki	D13/103
D712,826	S	9/2014	Marino et al.	
D721,648	S *	1/2015	Breines	D13/107
D765,592	S	9/2016	Friend	
D823,240	S *	7/2018	Zhang	D13/103
D826,154	S *	8/2018	Ceravalo	D13/110
D882,512	S *	4/2020	Narayana Bhat	D13/108
D887,975	S *	6/2020	O'Malley	D13/108
D892,586	S *	8/2020	Matteo	D8/70
2016/0072106	A1	3/2016	Baumgartner et al.	

* cited by examiner

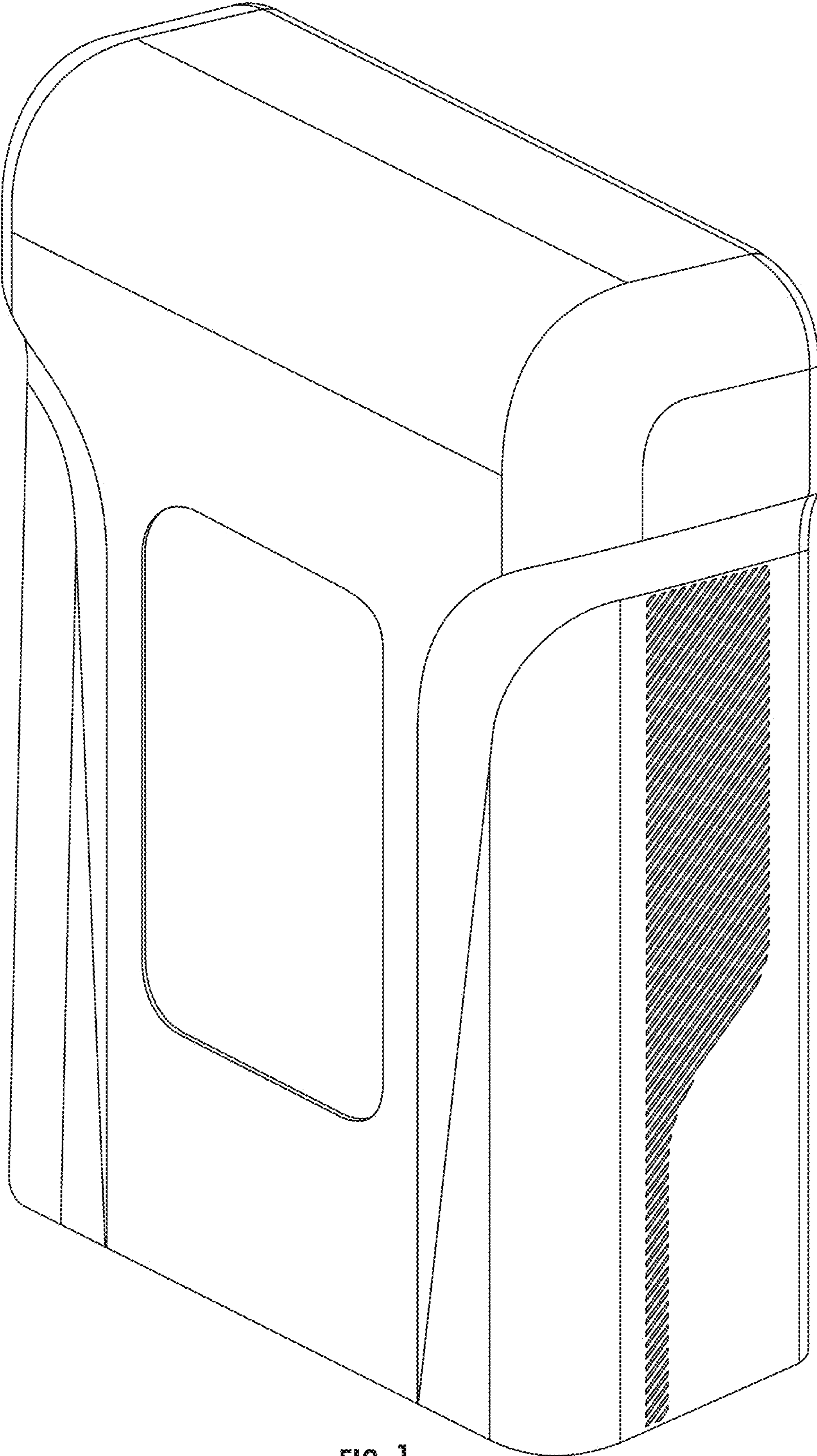


FIG. 1

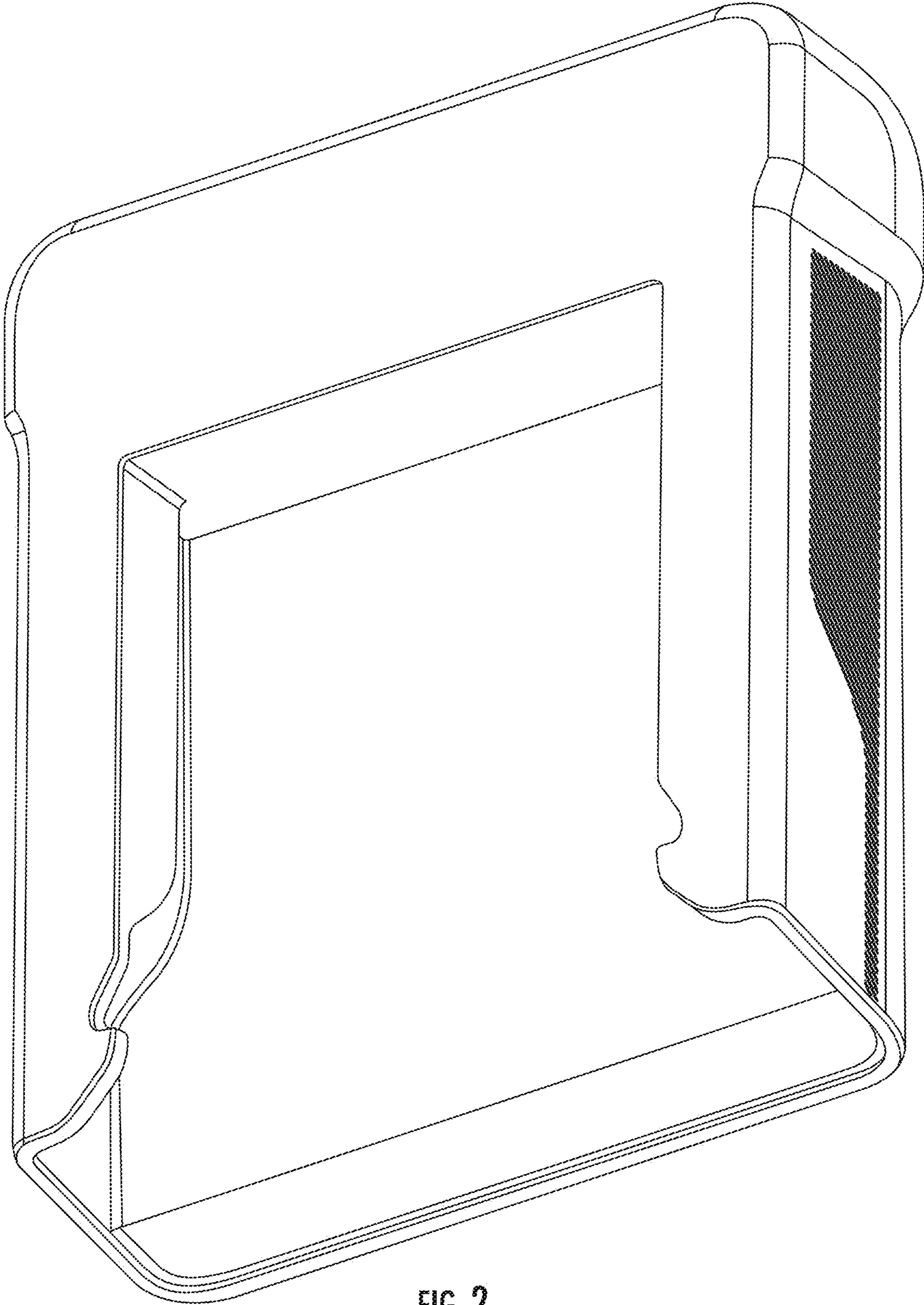


FIG. 2

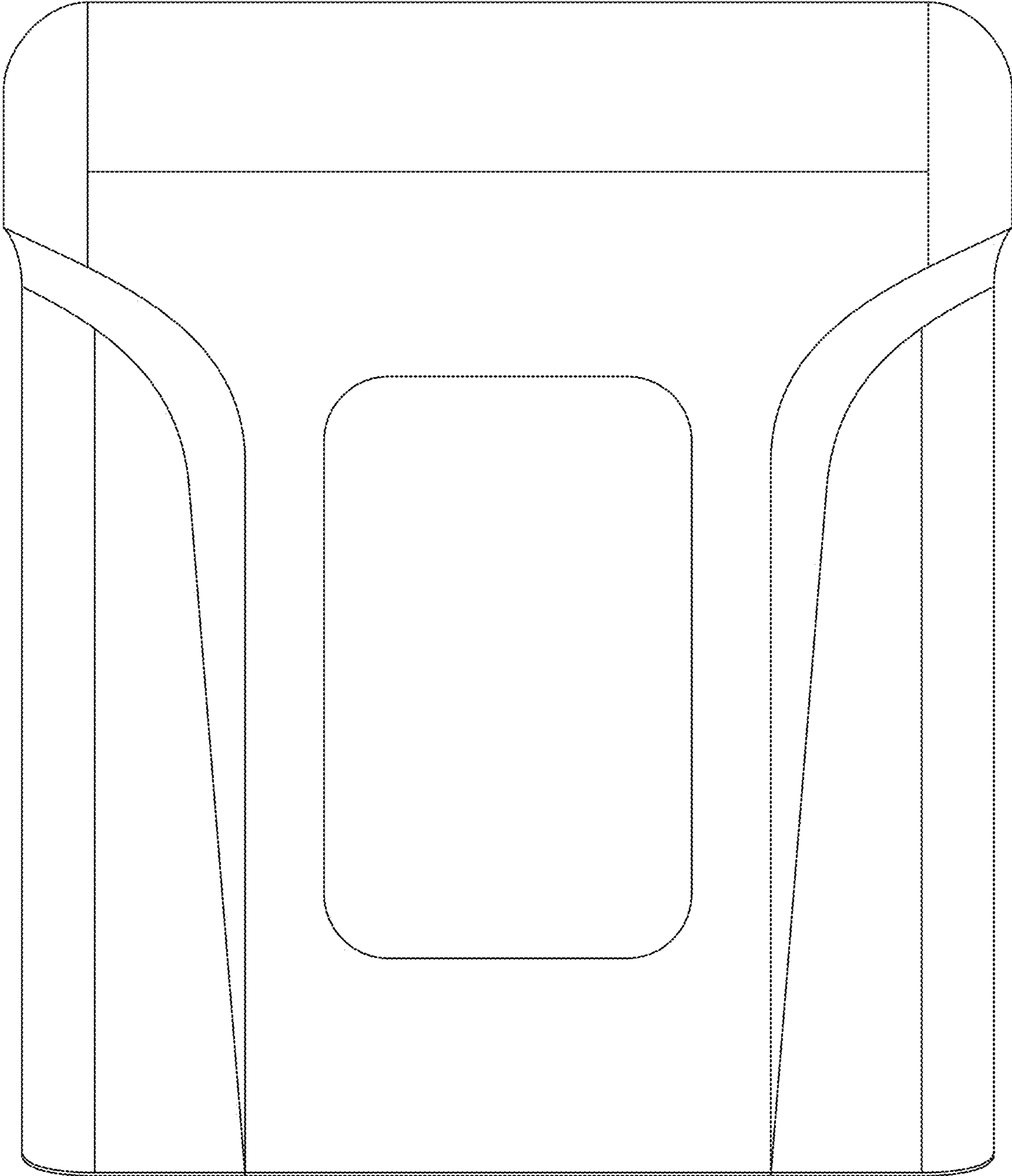


FIG. 3

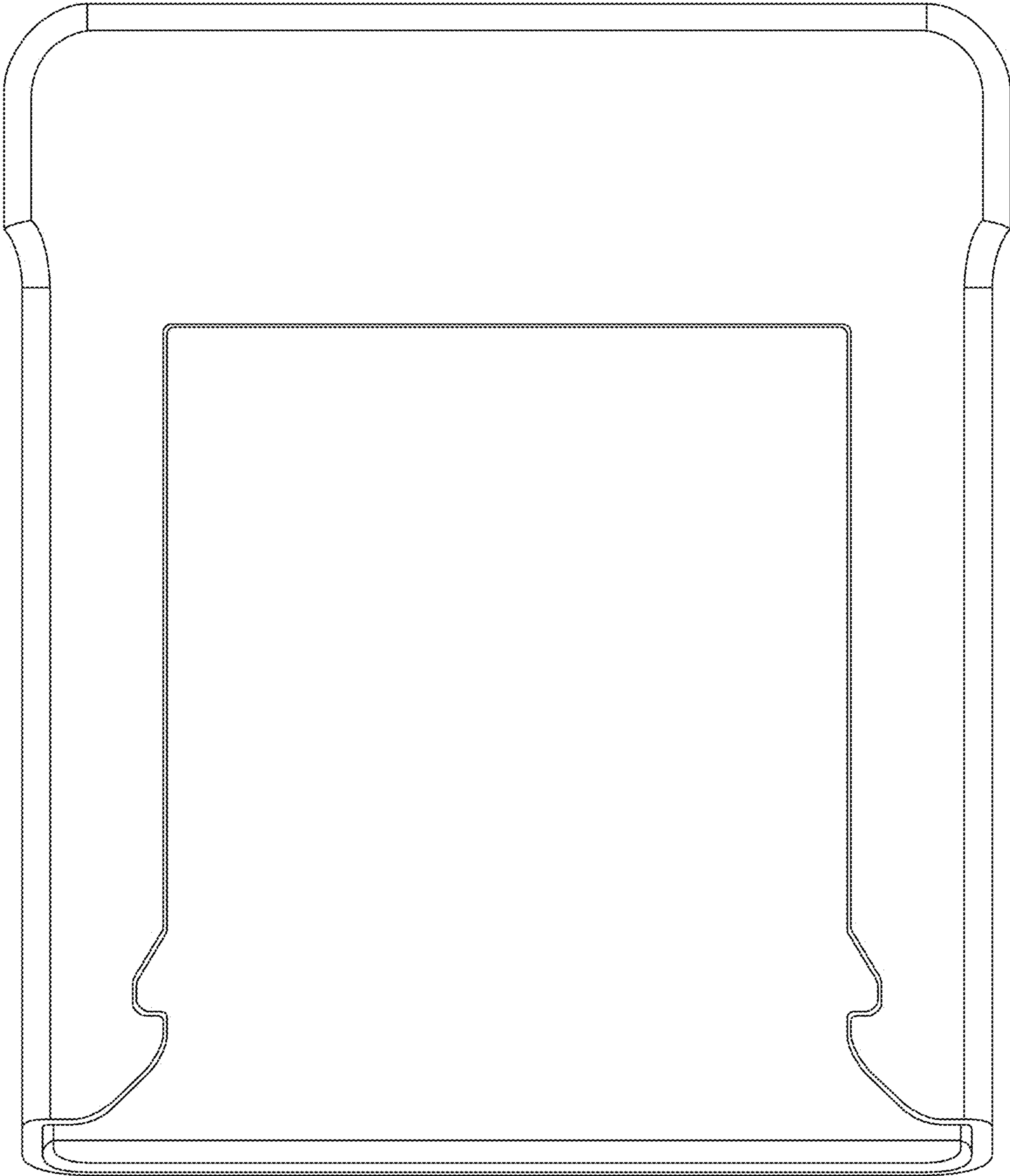


FIG. 4

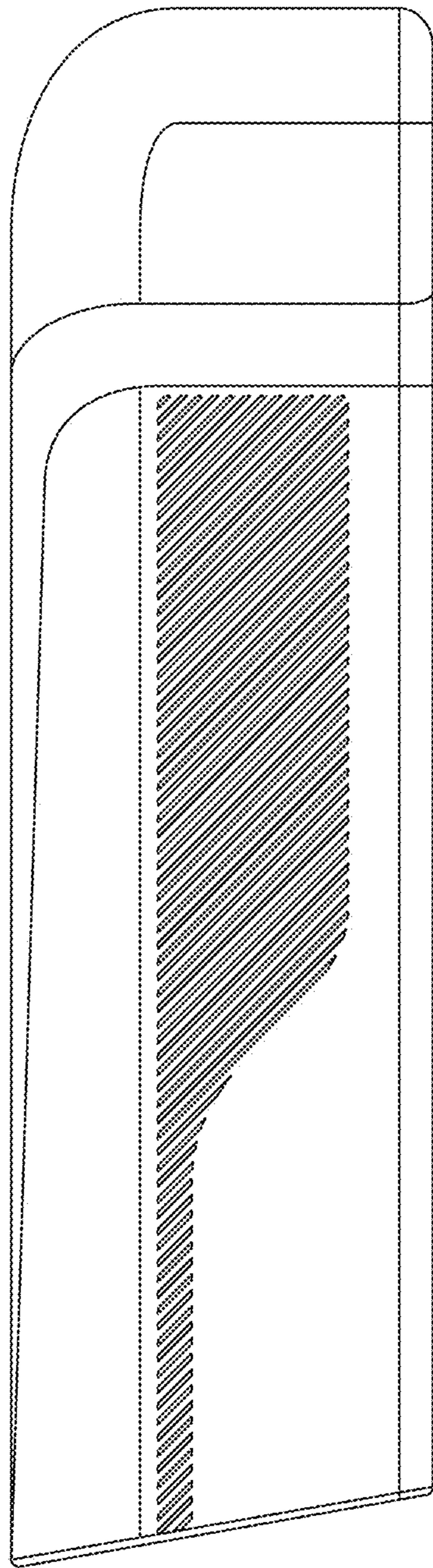


FIG. 5

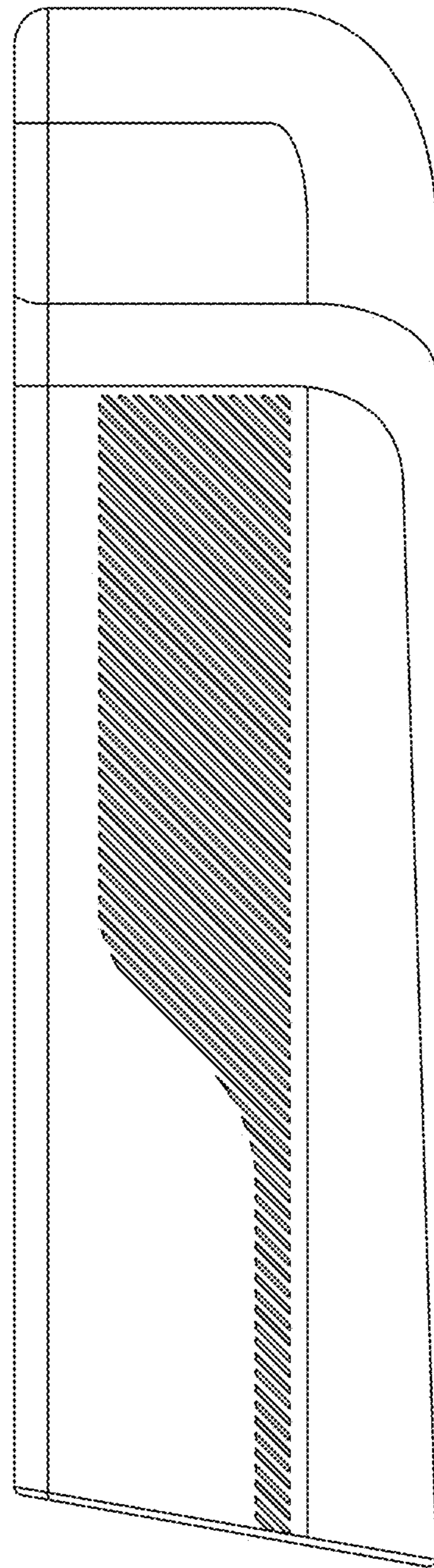


FIG. 6

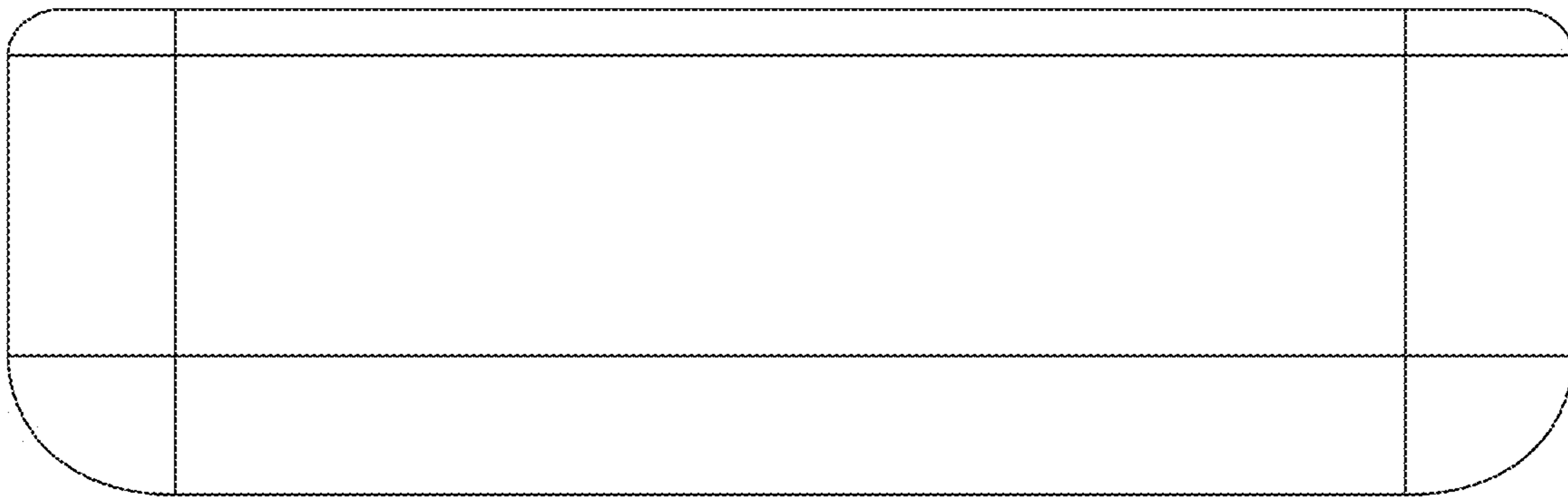


FIG. 7

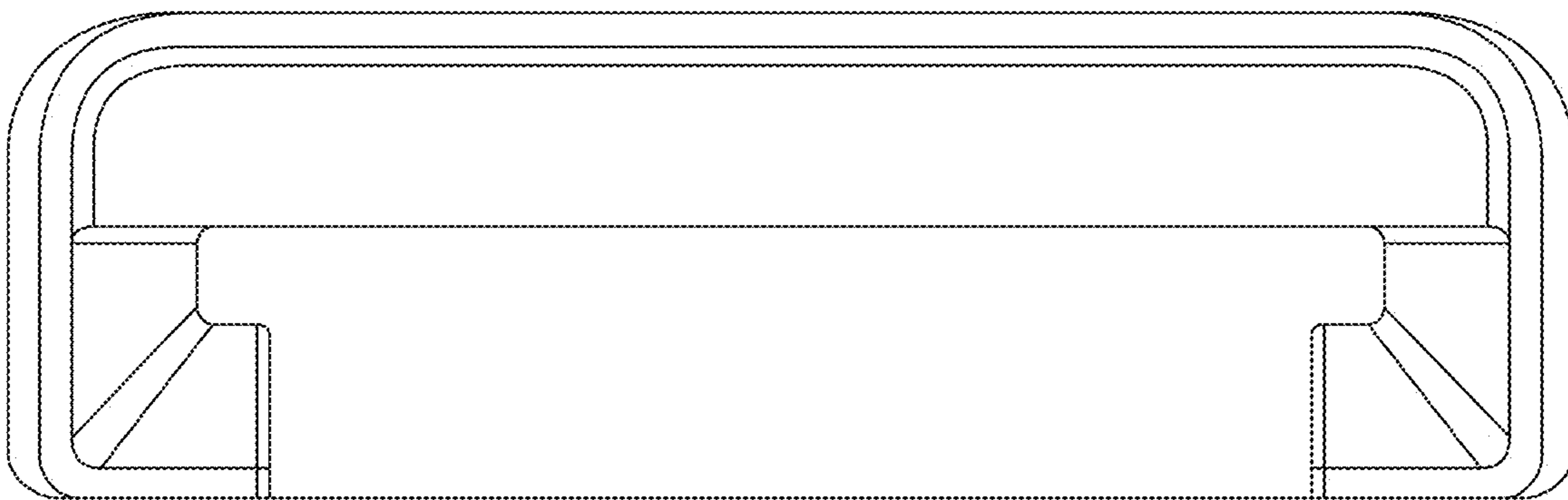


FIG. 8

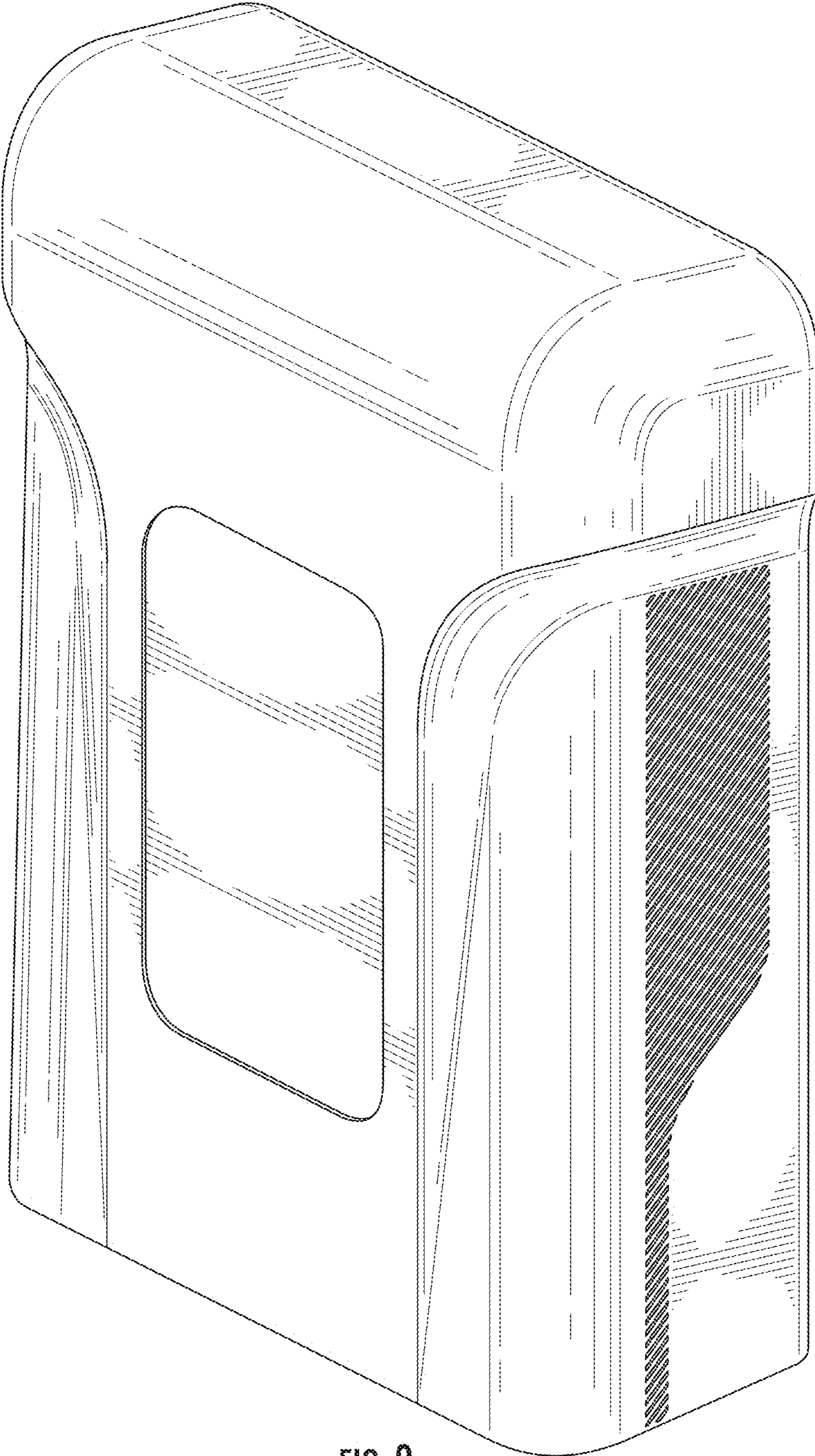


FIG. 9

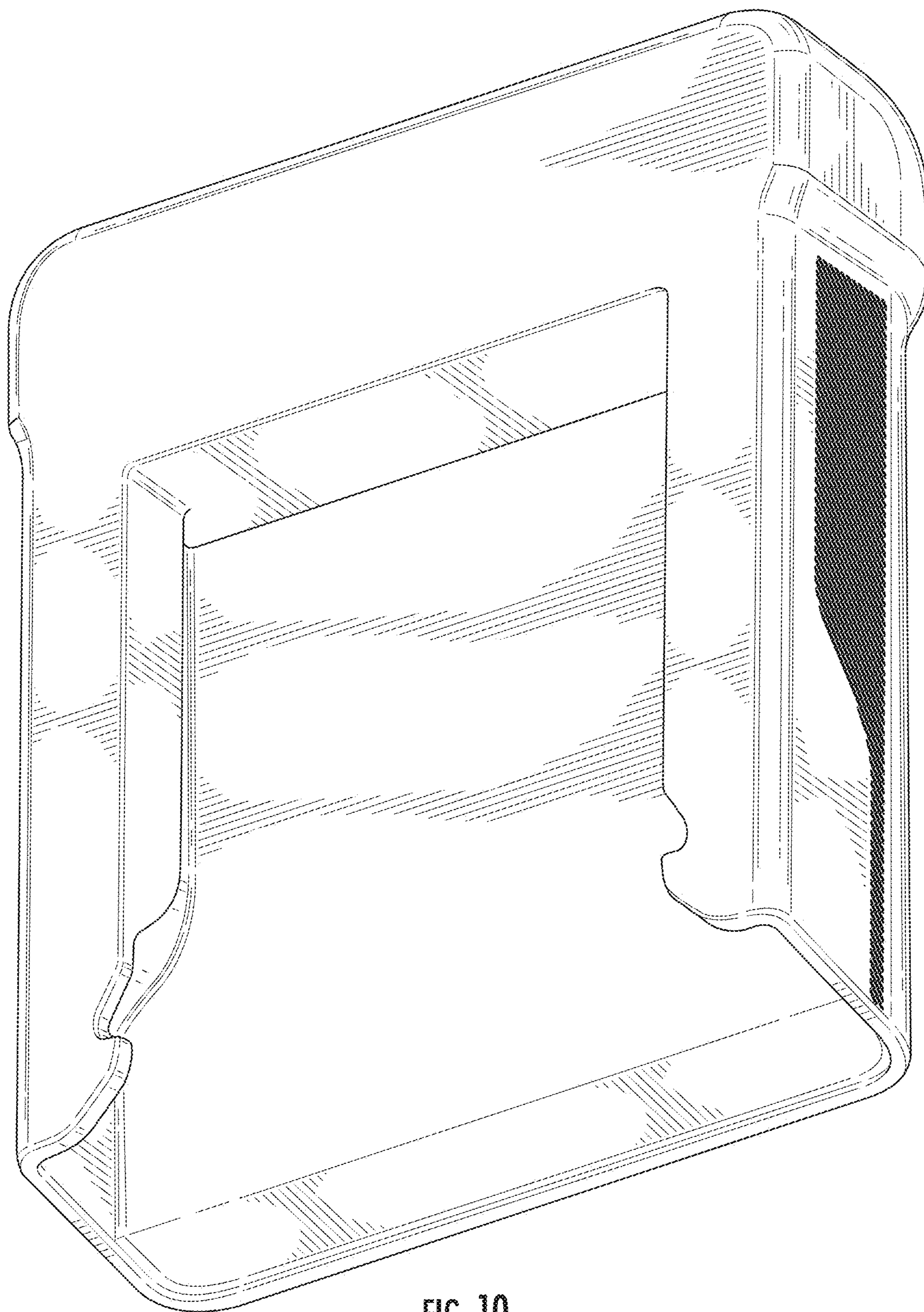


FIG. 10

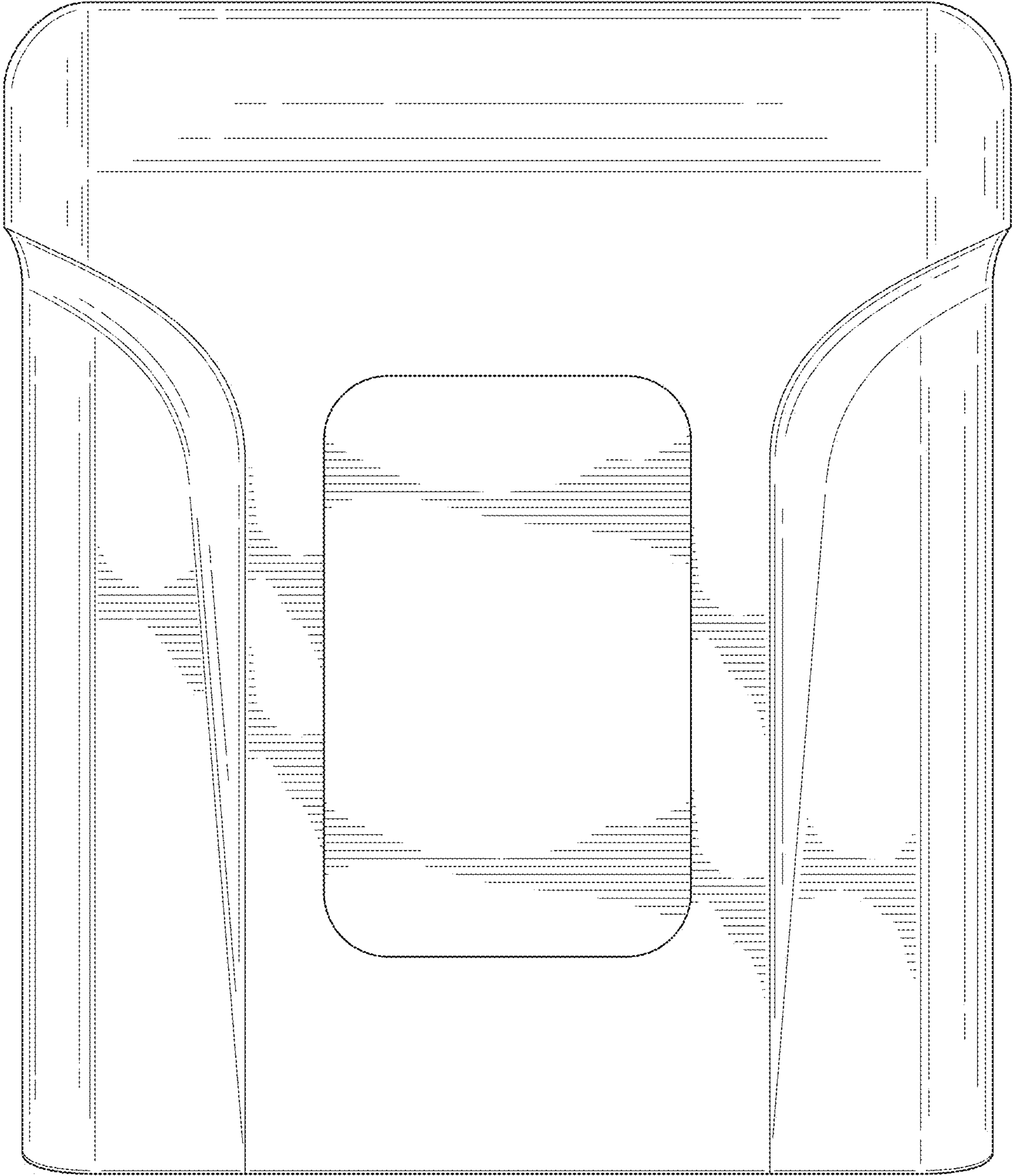


FIG. 11

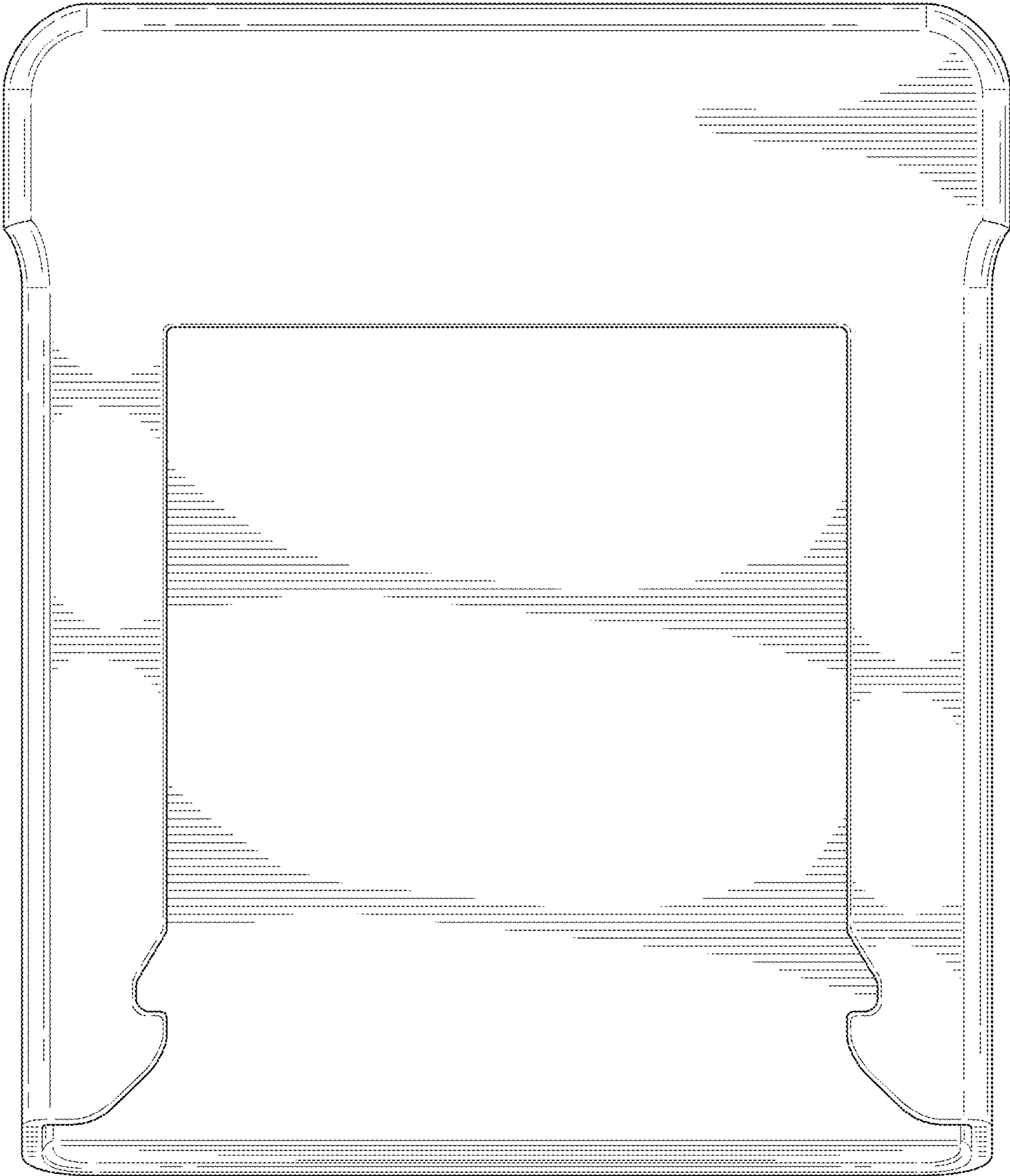


FIG. 12

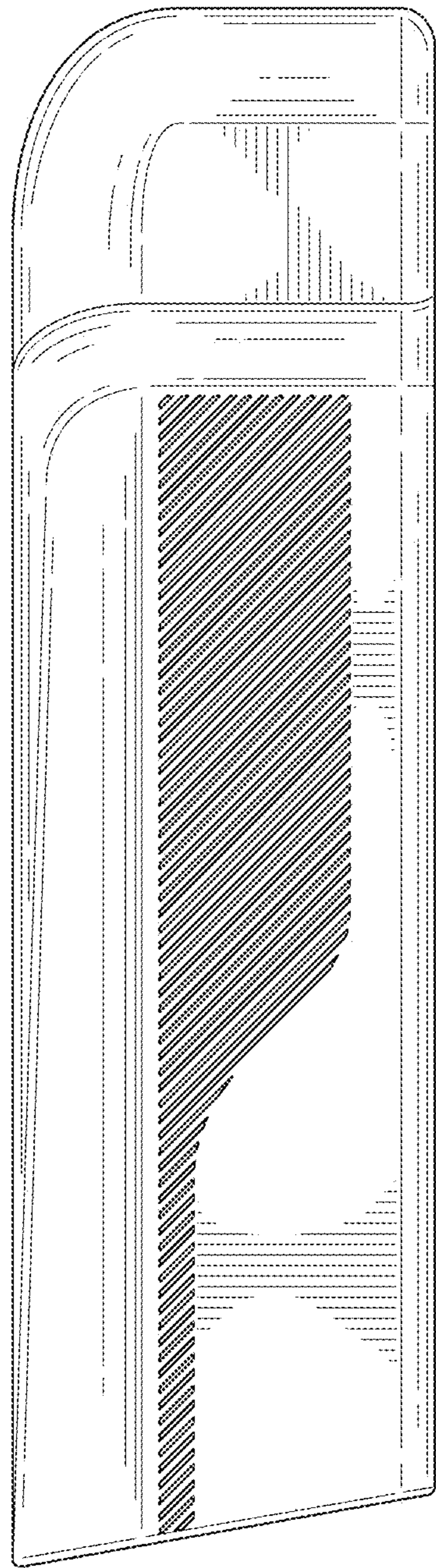


FIG. 13

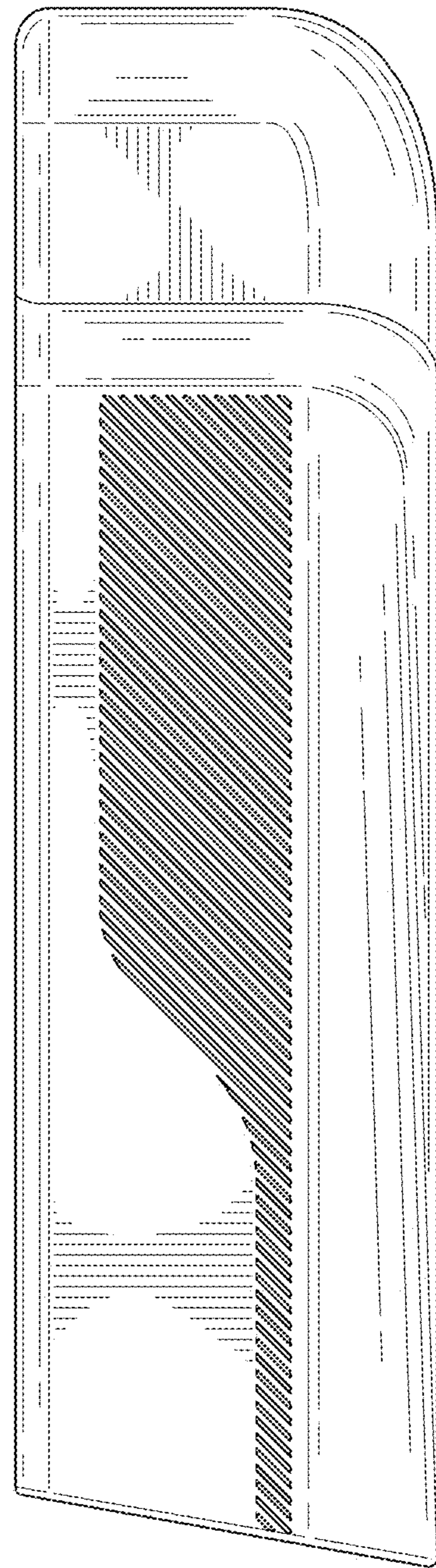


FIG. 14

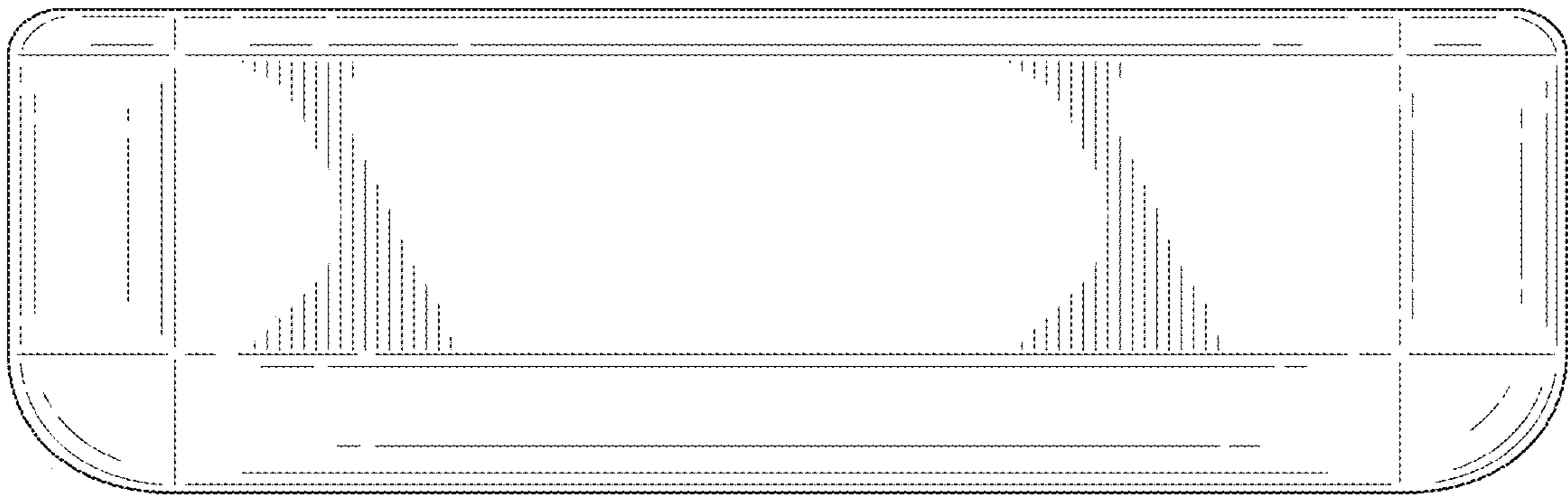


FIG. 15

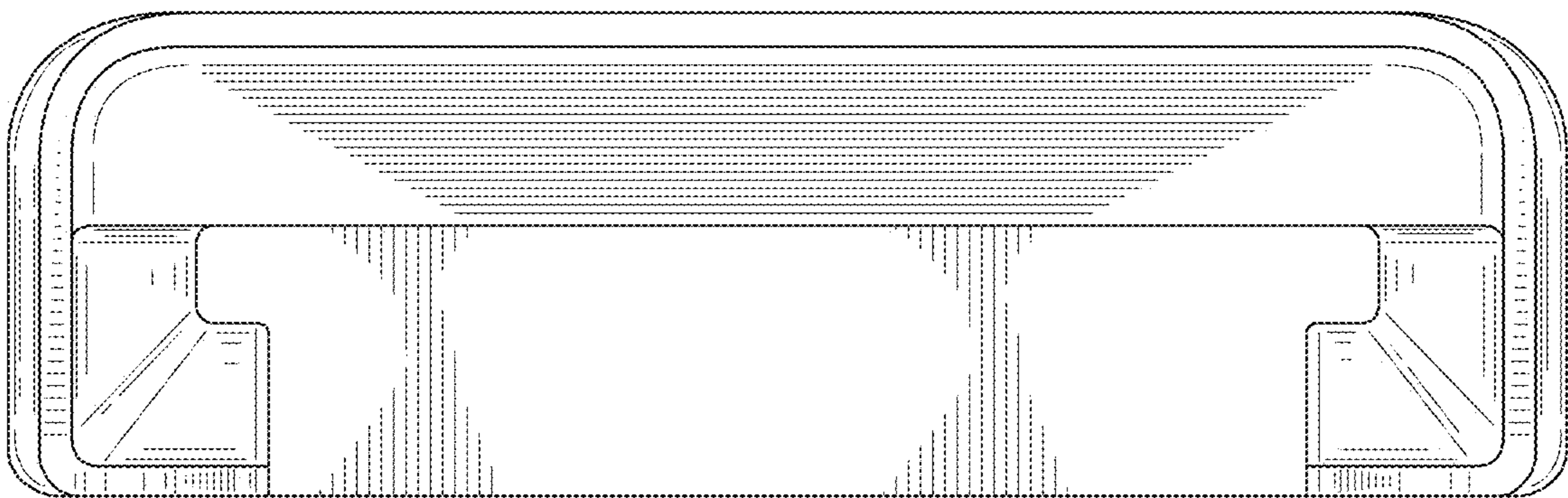


FIG. 16