



US00D902843S

(12) **United States Design Patent**
Hathway et al.

(10) **Patent No.:** **US D902,843 S**

(45) **Date of Patent:** **** Nov. 24, 2020**

(54) **SOLAR PANEL**

(71) Applicant: **Arlo Technologies, Inc.**, Carlsbad, CA (US)

(72) Inventors: **James Hathway**, Delta (CA); **Kent Gawain Crandall**, Carlsbad, CA (US); **David Tong**, San Diego, CA (US)

(73) Assignee: **Arlo Technologies, Inc.**, Carlsbad, CA (US)

(**) Term: **15 Years**

(21) Appl. No.: **29/679,351**

(22) Filed: **Feb. 5, 2019**

(51) **LOC (12) Cl.** **13-02**

(52) **U.S. Cl.**
USPC **D13/102**

(58) **Field of Classification Search**
USPC D13/102, 103, 104, 107, 110, 118, 119, D13/184, 199
CPC Y02B 10/12; Y02E 10/50; Y02E 10/544; H02S 30/10; H02S 20/04; H02S 40/38; H01L 31/042; H01L 31/048; H01L 31/02008

See application file for complete search history.

(56) **References Cited**

U.S. PATENT DOCUMENTS

6,476,311 B1 * 11/2002 Lee H02S 40/38
136/244
D467,225 S * 12/2002 Sudo D13/102

D628,534 S * 12/2010 Daniel D13/102
8,432,124 B2 * 4/2013 Foster A45C 15/00
320/101
D724,012 S * 3/2015 Zhan D13/102
D745,845 S * 12/2015 Anderson D13/102
D770,971 S * 11/2016 Anderson D13/102
D812,553 S * 3/2018 Anderson D13/102
D815,027 S * 4/2018 Anderson D13/102
D824,848 S * 8/2018 Anderson D13/102
D834,514 S * 11/2018 Zhang D13/102
2005/0103376 A1 * 5/2005 Matsushita H01L 31/048
136/251

* cited by examiner

Primary Examiner — Derrick E Holland

(74) *Attorney, Agent, or Firm* — Boyle Fredrickson S.C.

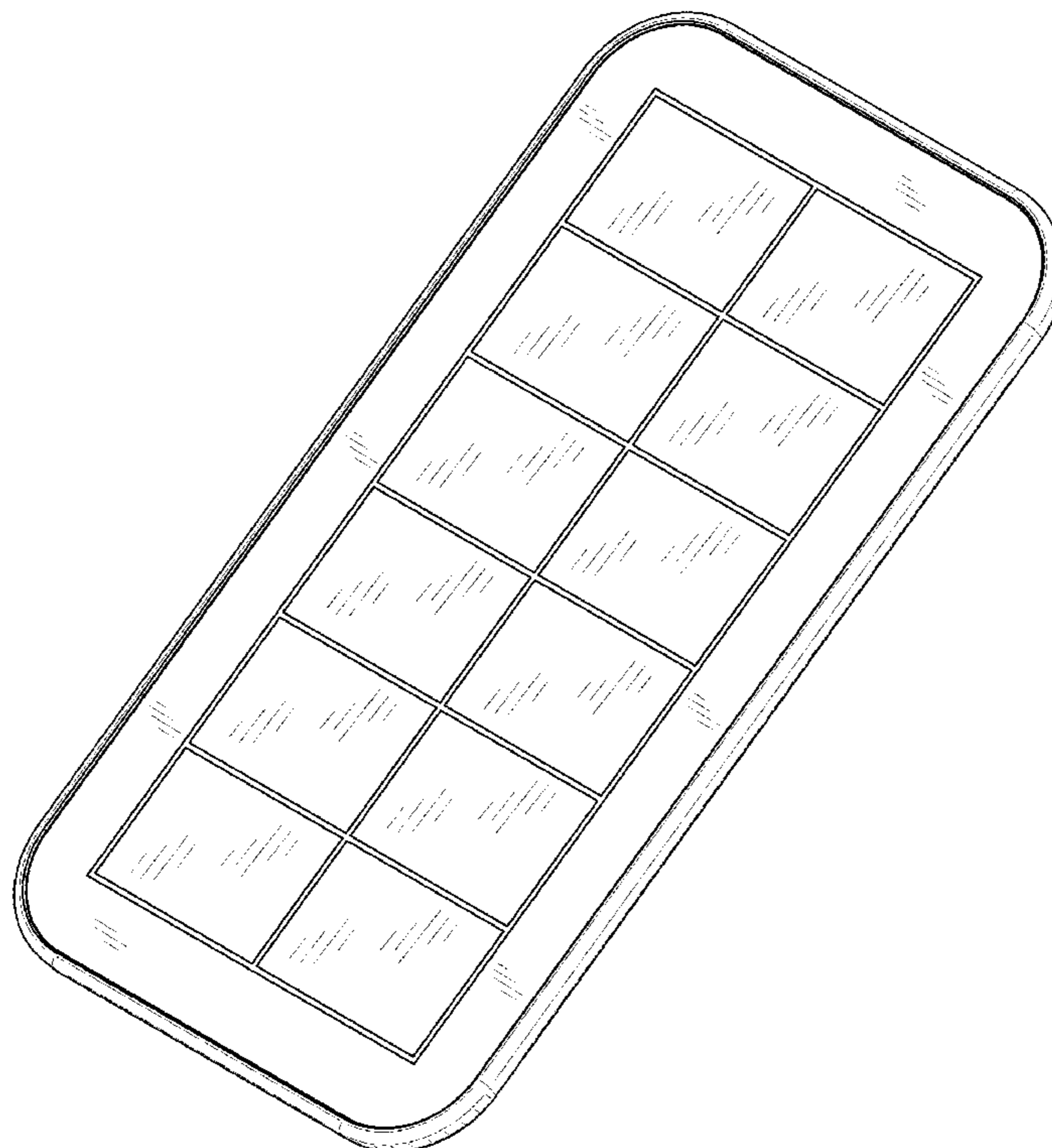
(57) **CLAIM**

The ornamental design for a solar panel, as shown and described.

DESCRIPTION

FIG. 1 is a top, front, right side perspective view of a solar panel showing our new design;
FIG. 2 is a front elevation view thereof;
FIG. 3 is a rear elevation view thereof;
FIG. 4 is a right-side elevation view thereof;
FIG. 5 is a left-side elevation view thereof;
FIG. 6 is a top plan view thereof; and,
FIG. 7 is a bottom plan view thereof.
The dashed broken lines represent the portions of the solar panel that form no part of the claimed design. The dash-dot broken lines define the bounds of the claimed design and form no part thereof.

1 Claim, 7 Drawing Sheets



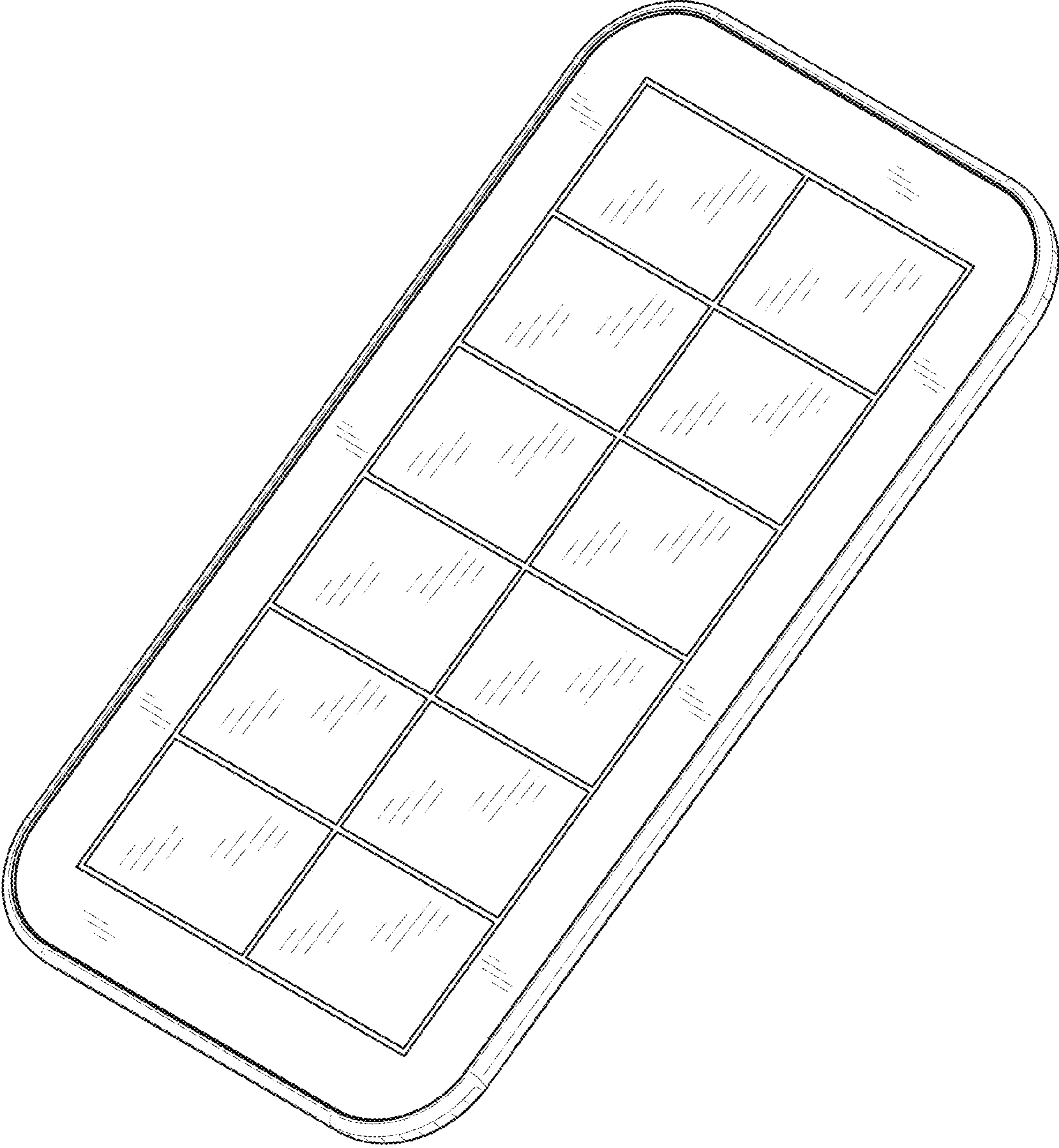


FIG. 1

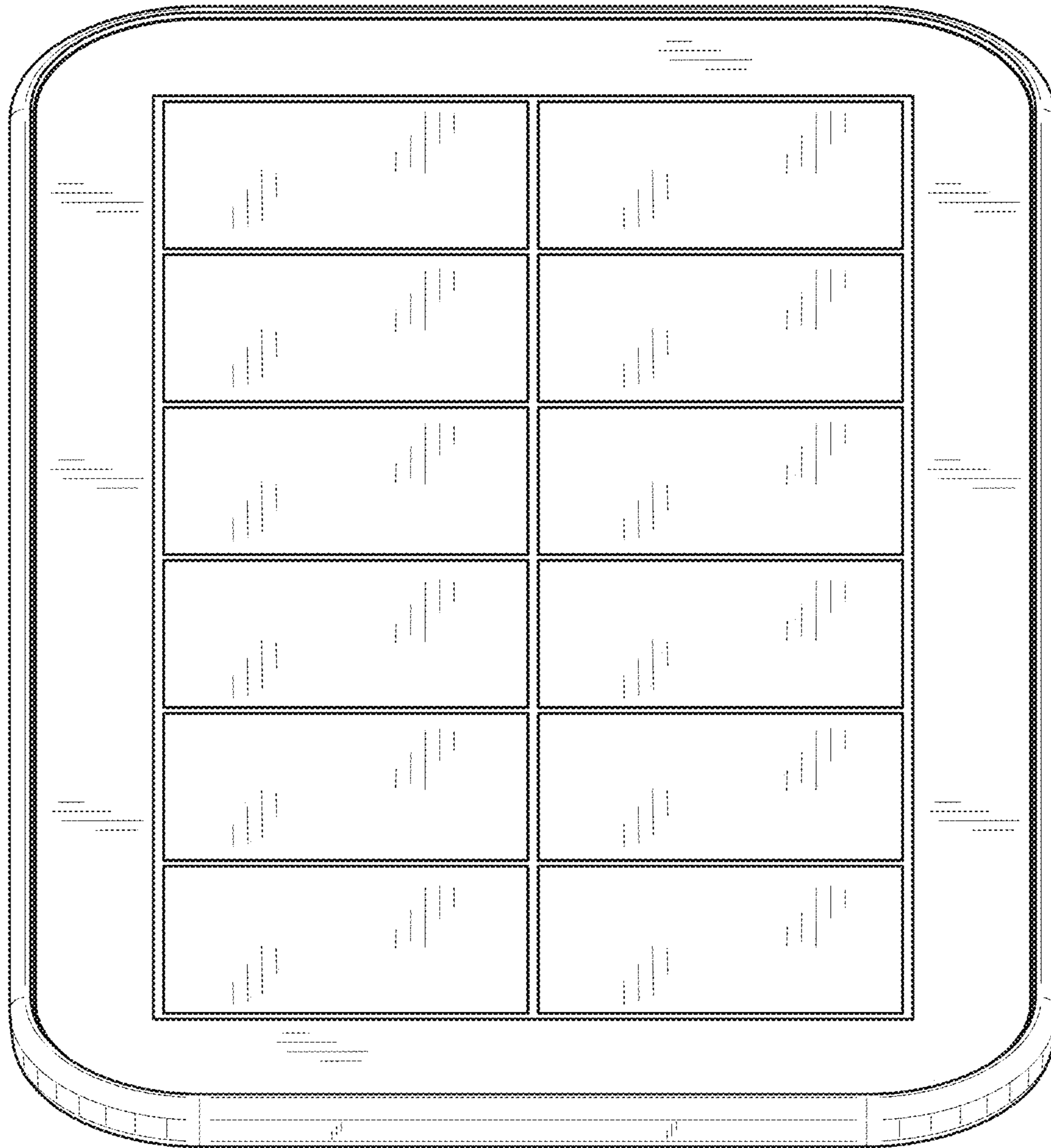


FIG. 2

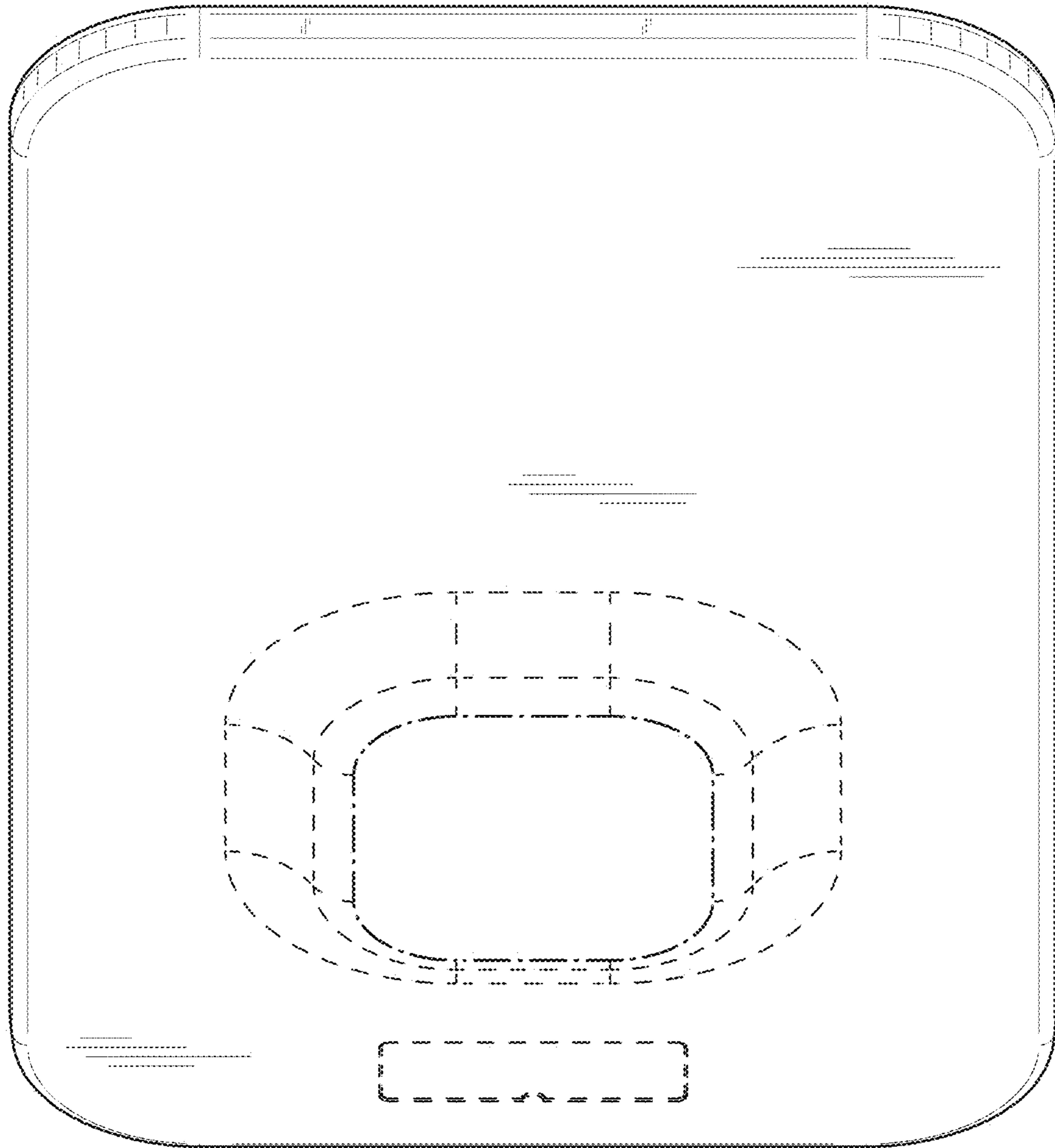


FIG. 3

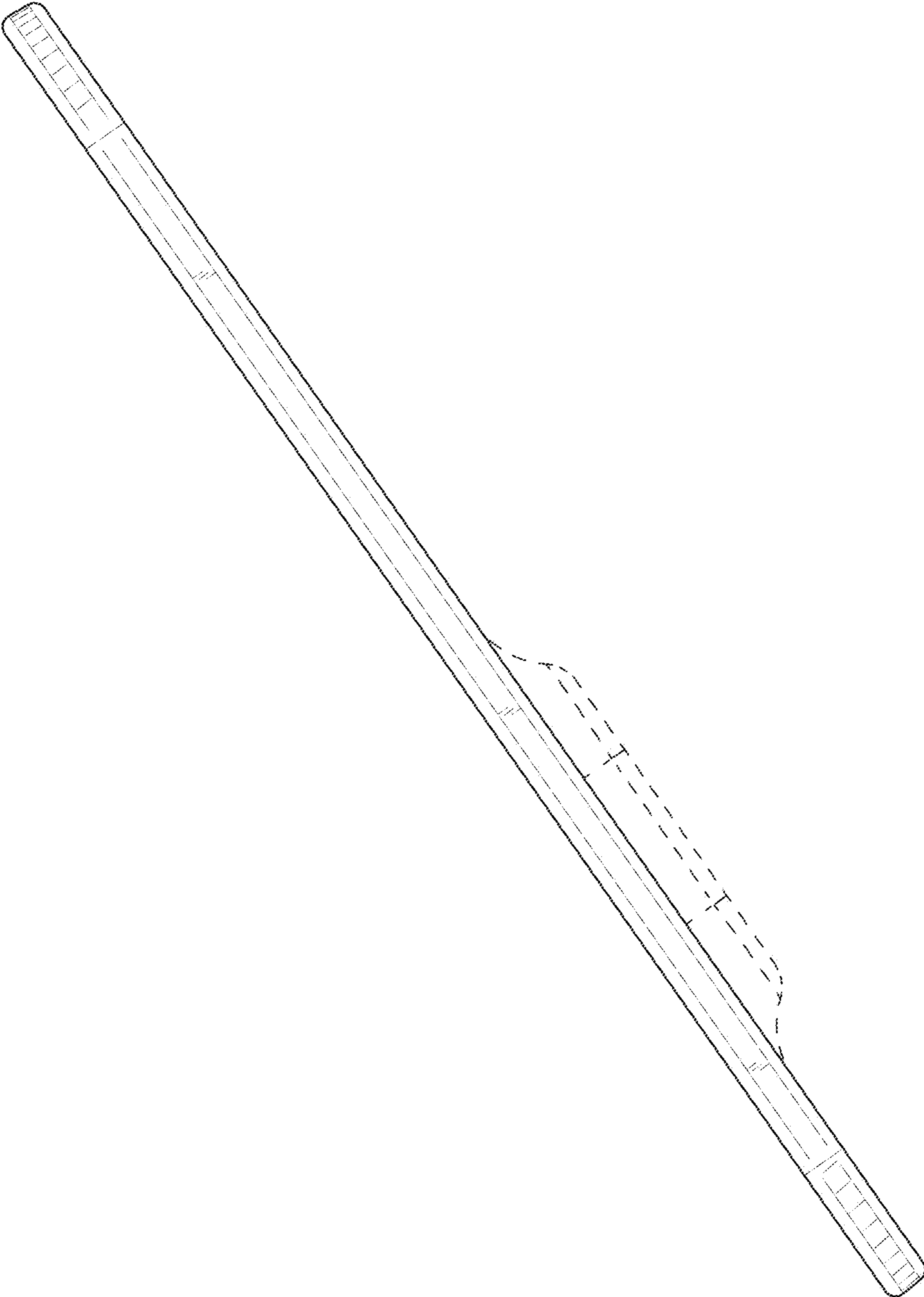


FIG. 4

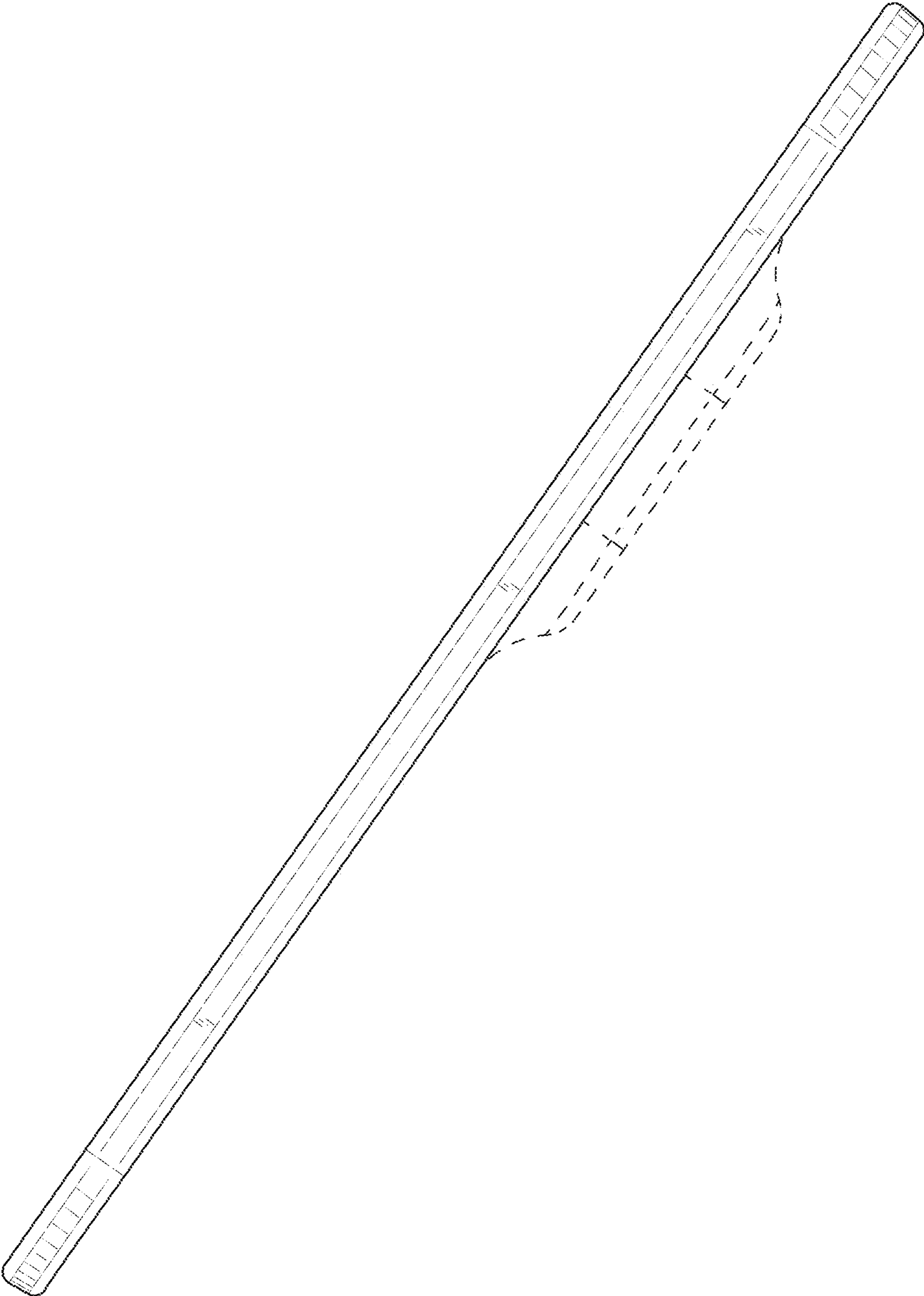


FIG. 5

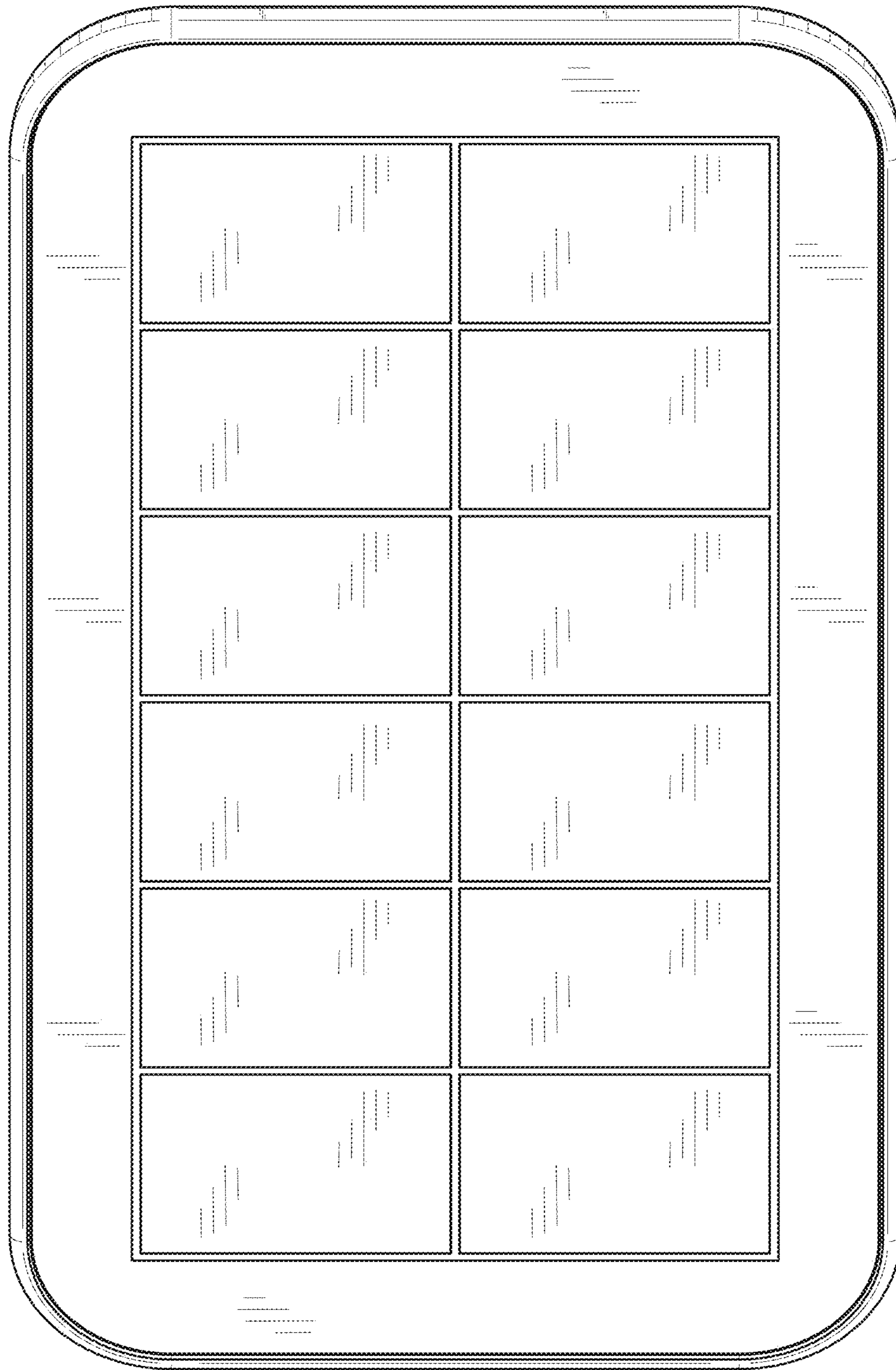


FIG. 6

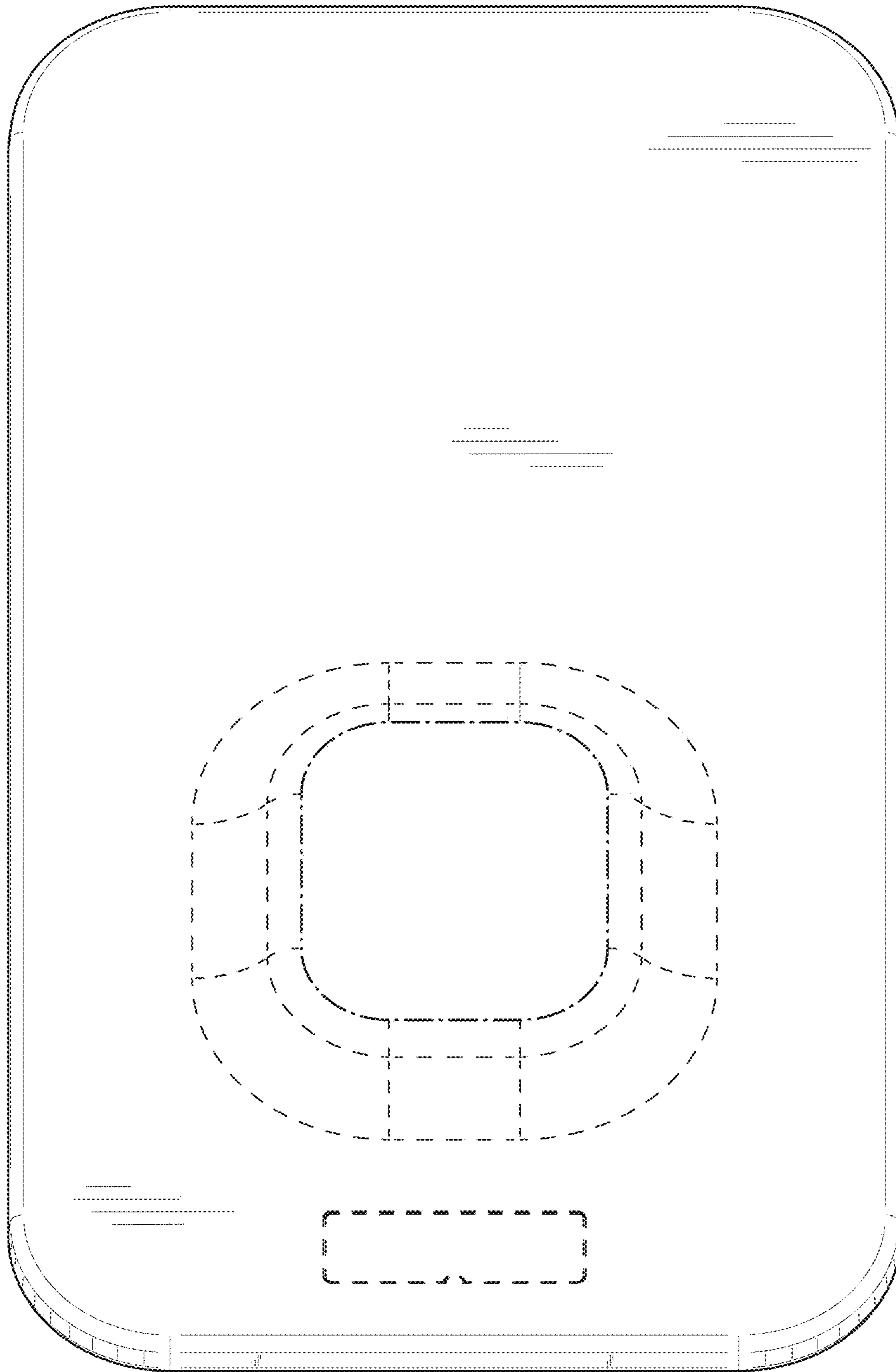


FIG. 7