



US00D902836S

(12) **United States Design Patent** (10) **Patent No.:** **US D902,836 S**  
**Hornsby et al.** (45) **Date of Patent:** **\*\* Nov. 24, 2020**

(54) **ROOF BAR** 4,052,806 A 10/1977 George  
4,114,789 A 9/1978 Blaylock et al.  
(71) Applicant: **Manufacturing Resources** 4,261,496 A \* 4/1981 Mareydt ..... B60R 9/12  
**International, Inc.,** Alpharetta, GA 16/330  
(US) 4,449,656 A 5/1984 Wouden  
4,500,020 A 2/1985 Rasor  
4,534,496 A 8/1985 Bott

(72) Inventors: **Eric Hornsby**, Alpharetta, GA (US);  
**William Dunn**, Alpharetta, GA (US);  
**Doug Bennett**, Alpharetta, GA (US);  
**Mike Brown**, Cumming, GA (US)

(73) Assignee: **Manufacturing Resources**  
**International, Inc.,** Alpharetta, GA  
(US)

(\*\*) Term: **15 Years**

(21) Appl. No.: **29/707,877**

(22) Filed: **Oct. 1, 2019**

**Related U.S. Application Data**

(63) Continuation of application No. 29/641,643, filed on  
Mar. 23, 2018, now Pat. No. Des. 869,378.

(51) **LOC (12) Cl.** ..... **12-16**

(52) **U.S. Cl.**  
USPC ..... **D12/414**; D12/412

(58) **Field of Classification Search**  
USPC ... D12/317, 400, 406, 412, 413, 414, 414.1,  
D12/190, 223, 106

CPC ... B60R 13/00; B60R 11/0235; B60R 16/033;  
B60R 9/04; B60R 9/042; B60R 9/052;  
B60R 9/05; B60R 9/08; B60R 2011/004;  
B60R 9/058; B60P 7/15; B60P 7/06;  
B60P 9/00; G09F 21/04; G09F 9/00

See application file for complete search history.

(56) **References Cited**

**U.S. PATENT DOCUMENTS**

3,525,461 A 8/1970 Bronson  
3,978,599 A 9/1976 Berger

(Continued)

**FOREIGN PATENT DOCUMENTS**

AU 201815719 10/2018  
AU 201815720 10/2018

(Continued)

**OTHER PUBLICATIONS**

Adnation, Miller photos, May 9, 2017, 28 pages.

(Continued)

*Primary Examiner* — Sandra Snapp  
*Assistant Examiner* — Ieisha N Price

(74) *Attorney, Agent, or Firm* — Standley Law Group  
LLP; Jeffrey S. Standley; Adam J. Smith

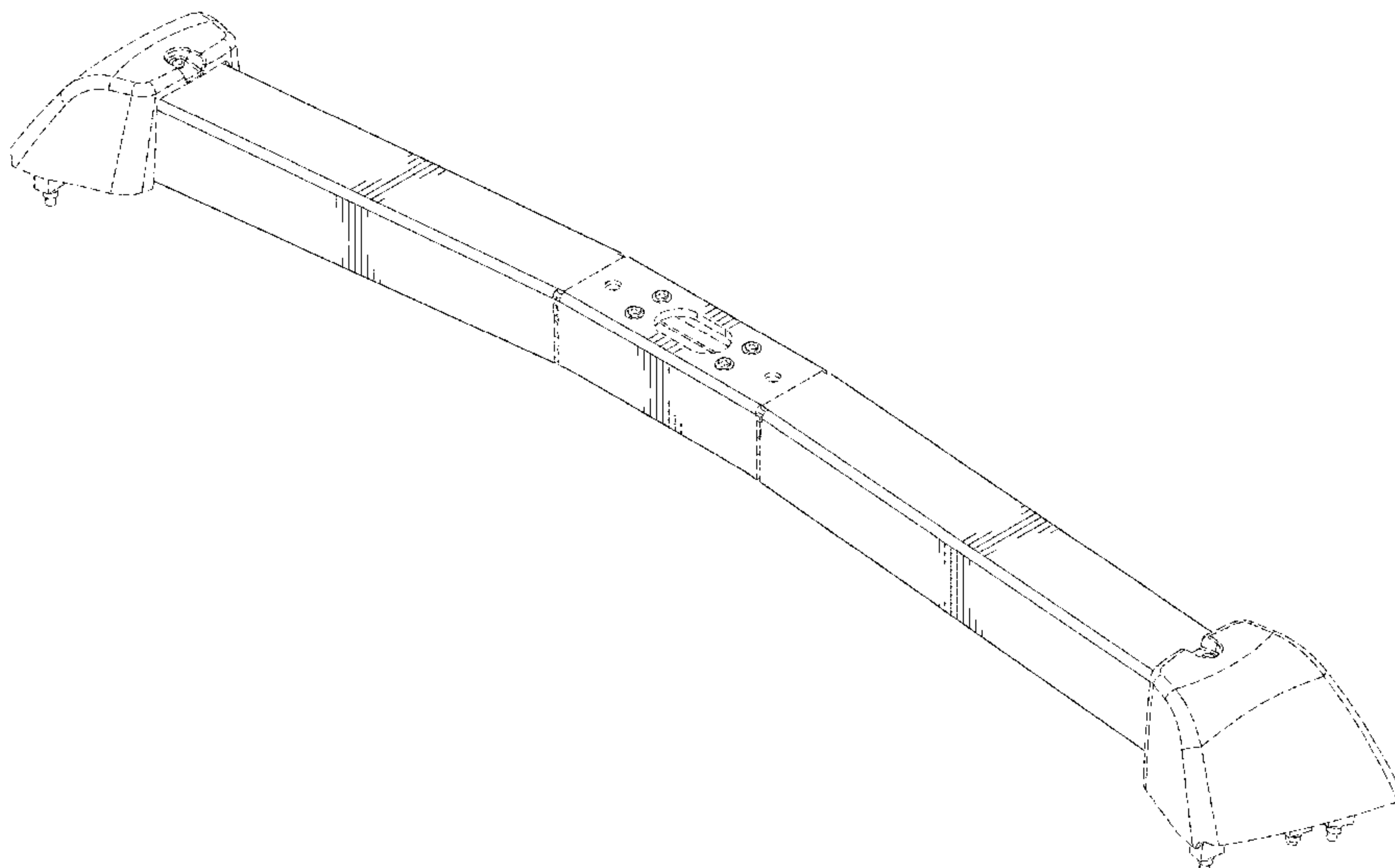
(57) **CLAIM**

The ornamental design for a roof bar, as shown and  
described.

**DESCRIPTION**

FIG. 1 is a front perspective view of the roof bar;  
FIG. 2 is a front elevation view of FIG. 1;  
FIG. 3 is a rear elevation view of FIG. 1;  
FIG. 4 is a right side elevation view of FIG. 1;  
FIG. 5 is a left side elevation view of FIG. 1;  
FIG. 6 is a top plan view of FIG. 1;  
FIG. 7 is a bottom elevation view of FIG. 1; and,  
FIG. 8 is a bottom perspective view of FIG. 1.  
The broken lines in the drawings illustrate portions of the  
roof bar and form no part of the claimed design.

**1 Claim, 4 Drawing Sheets**



(56)

References Cited

U.S. PATENT DOCUMENTS

4,640,450 A 2/1987 Gallion et al.  
 4,671,004 A 6/1987 Berg  
 D294,137 S 2/1988 Robson  
 D296,087 S 6/1988 Luck  
 4,768,691 A 9/1988 Stapleton  
 4,778,092 A 10/1988 Grace  
 D306,990 S 4/1990 Bott  
 4,972,983 A 11/1990 Bott  
 4,982,886 A 1/1991 Cucheran  
 D314,983 S 2/1991 Cangianni et al.  
 4,993,615 A 2/1991 Arvidsson  
 5,016,798 A 5/1991 Stapleton et al.  
 5,038,988 A 8/1991 Thulin  
 D320,971 S 10/1991 Sparham et al.  
 5,104,020 A 4/1992 Arvidsson et al.  
 D326,282 S 5/1992 Spoljaric  
 5,132,666 A 7/1992 Fahs  
 5,170,920 A 12/1992 Corrente et al.  
 5,171,083 A 12/1992 Rich  
 5,207,365 A 5/1993 Bott  
 5,306,156 A 4/1994 Gibbs et al.  
 5,347,736 A 9/1994 Kanigan  
 5,385,285 A 1/1995 Cucheran et al.  
 5,474,218 A 12/1995 Arsenault, Jr. et al.  
 5,560,525 A 10/1996 Grohmann et al.  
 D398,409 S 9/1998 Jessa  
 5,826,766 A 10/1998 Aftanas  
 5,871,190 A 2/1999 Henriksson  
 5,979,723 A 11/1999 Tress et al.  
 6,050,467 A 4/2000 Drouillard et al.  
 D430,901 S 9/2000 Palmer  
 6,114,954 A \* 9/2000 Palett ..... B60R 9/00  
 224/321  
 6,116,486 A 9/2000 Lindell  
 6,378,747 B1 4/2002 Fisch et al.  
 6,415,970 B1 7/2002 Kmita et al.  
 6,701,143 B1 3/2004 Dukach et al.  
 6,812,851 B1 11/2004 Dukach et al.  
 6,850,209 B2 2/2005 Mankins et al.  
 7,134,764 B1 11/2006 Bieberdorf  
 7,434,713 B2 10/2008 Linden  
 D634,722 S 3/2011 Kim et al.  
 D635,614 S 4/2011 Yan  
 D639,340 S 6/2011 Martin  
 D647,970 S 11/2011 Strempack  
 8,122,628 B2 2/2012 Johnson, Jr.  
 D657,421 S 4/2012 Yan  
 D657,422 S 4/2012 Yan  
 D669,938 S 10/2012 Lard et al.  
 8,534,516 B1 \* 9/2013 Vo ..... B60R 9/052  
 224/318  
 D694,170 S \* 11/2013 Eriksson ..... D12/414  
 D704,265 S 5/2014 Yan  
 9,135,839 B2 9/2015 Remenda  
 D740,472 S 10/2015 Linton et al.  
 D763,357 S 8/2016 Tsuru et al.  
 D765,660 S 9/2016 Kim et al.  
 D775,989 S 1/2017 Kalanick et al.  
 D777,258 S 1/2017 Strempack et al.  
 D792,833 S \* 7/2017 Chan ..... D12/412  
 D793,890 S 8/2017 Hong  
 D815,690 S 4/2018 Squillante  
 9,994,160 B2 6/2018 Kim et al.  
 D848,528 S 5/2019 Lee et al.  
 D848,529 S 5/2019 Lee et al.  
 10,326,962 B2 6/2019 Hamilton  
 D869,378 S \* 12/2019 Hornsby ..... D12/414  
 D879,202 S \* 3/2020 Hornsby ..... D20/10  
 2002/0009978 A1 1/2002 Dukach et al.  
 2002/0065046 A1 5/2002 Mankins et al.

2002/0084891 A1 7/2002 Mankins et al.  
 2002/0112026 A1 8/2002 Fridman et al.  
 2002/0164962 A1 11/2002 Mankins et al.  
 2003/0119448 A1 6/2003 Arntz  
 2004/0004827 A1 1/2004 Guest  
 2004/0036622 A1 2/2004 Dukach et al.  
 2004/0170013 A1 9/2004 Smythe  
 2004/0182898 A1 9/2004 Harris  
 2005/0116511 A1 6/2005 Leroy et al.  
 2006/0091170 A1 5/2006 Almhil  
 2007/0108243 A1 5/2007 Bingham  
 2007/0158965 A1 7/2007 Van Smirren  
 2007/0252409 A1 \* 11/2007 Clinton ..... B60R 9/04  
 296/185.1  
 2008/0083800 A1 \* 4/2008 Mathew ..... B60R 9/058  
 224/326  
 2008/0236007 A1 10/2008 Au et al.  
 2010/0282799 A1 11/2010 Hubbard  
 2011/0072697 A1 3/2011 Miller  
 2011/0132946 A1 6/2011 Sautter et al.  
 2011/0315726 A1 12/2011 Huhn et al.  
 2012/0002357 A1 1/2012 Auld et al.  
 2012/0312848 A1 12/2012 Delusky et al.  
 2013/0173358 A1 7/2013 Pinkus  
 2015/0129625 A1 5/2015 Gorey et al.  
 2015/0175082 A1 6/2015 Aftanas et al.  
 2015/0232038 A1 8/2015 Robertson  
 2015/0274084 A1 10/2015 Sargès et al.  
 2015/0369274 A1 12/2015 Stojkovic et al.  
 2017/0029043 A1 2/2017 Clark et al.  
 2017/0050576 A1 2/2017 Ferman  
 2017/0132960 A1 5/2017 Kis-Benedek Pinero et al.  
 2017/0257978 A1 9/2017 Diaz  
 2018/0170270 A1 6/2018 Bergman  
 2018/0172239 A1 \* 6/2018 Wacker ..... F21V 7/09  
 2018/0272959 A1 9/2018 Hornsby et al.  
 2020/0148126 A1 \* 5/2020 Griffith ..... B60R 9/045

FOREIGN PATENT DOCUMENTS

AU 201815721 10/2018  
 CN 106782121 A 5/2017  
 CN 109961695 A 7/2019  
 DE 202007017477 U1 6/2008  
 EM 005638509-0001 9/2018  
 EM 005638541-0001 9/2018  
 EM 005638558-0001 9/2018  
 EP 0476288 A1 3/1992  
 JP 1634158 S 5/2019  
 JP 1634159 S 5/2019  
 KR 10-0917344 B1 9/2009  
 WO 2018/175888 A1 9/2018

OTHER PUBLICATIONS

LG-MRI, BoldVu Vehicle Top Displays, via Internet Archive Wayback Machine at URL: <https://web.archive.org/web/20190327001140/https://lg-mri.com/digital-taxi-top-display/>, Mar. 27, 2019, 8 pages.  
 MCGARRYBOWEN, Inside the Campaign: United Airlines "Real Time Taxi", <https://www.aaaa.org/inside-campaign-united-airlines-real-time-taxi-mcgarrybowen-media-partners-kinetic-mec-verifone/>, Jul. 7, 2017, 6 pages, American Association of Advertising Agencies.  
 Rave, DSE 2017: LG-MRI Presents TaxiVu, a Digital LCD Display for Mobile Advertising, video at <https://www.youtube.com/watch?v=CmNw40BT6ZE>, Mar. 30, 2017, 1 page.  
 Rave, DSE 2018: LG-MRI Highlights BoldVu Vehicle Top Display, VT1145LD, for DOOH Advertising, video at <https://www.youtube.com/watch?v=IYSMhCnMyhg>, Apr. 1, 2018, 1 page.  
 Adnation, Turn Key Solutions, May 23, 2017, 4 pages.

\* cited by examiner



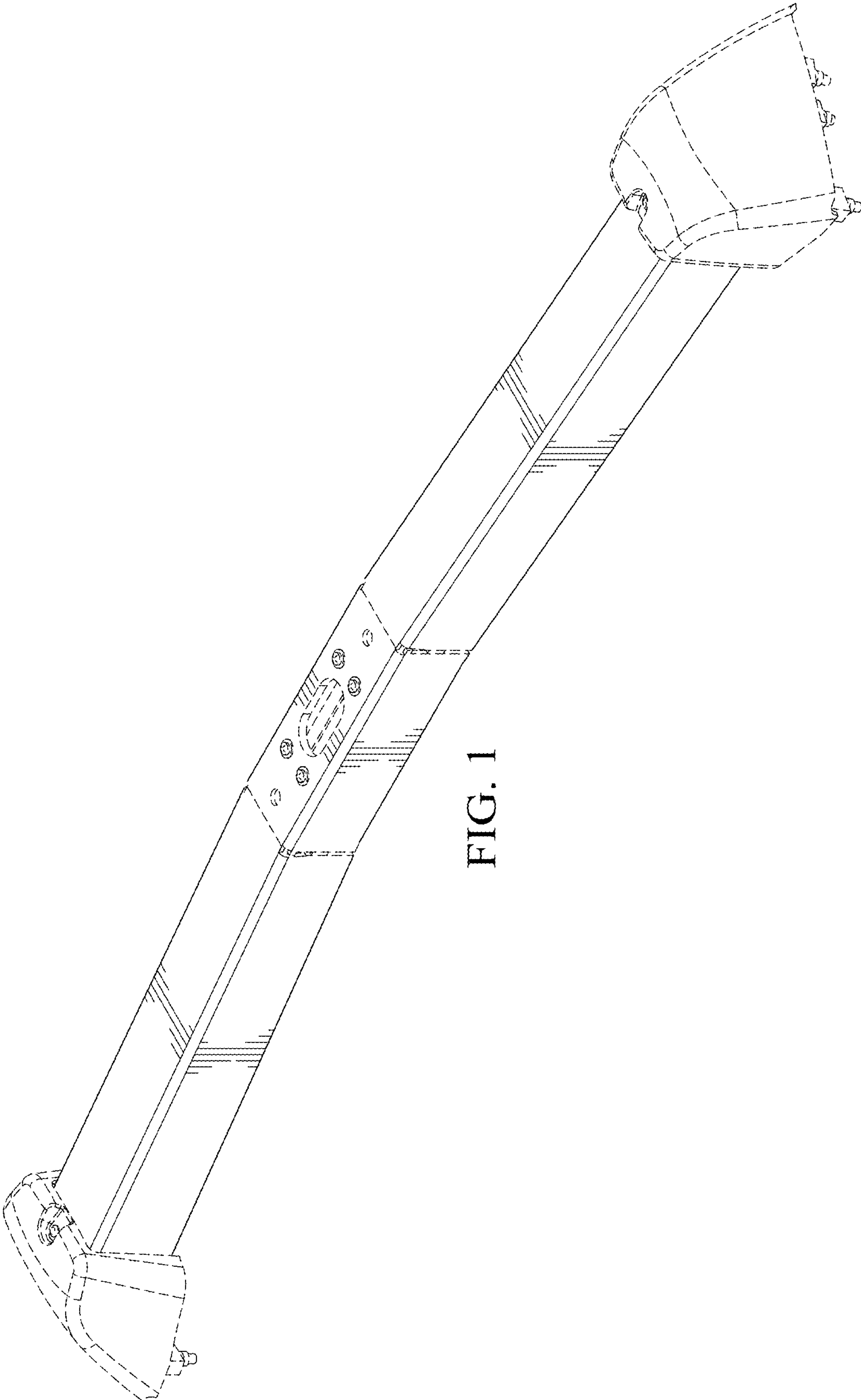


FIG. 1

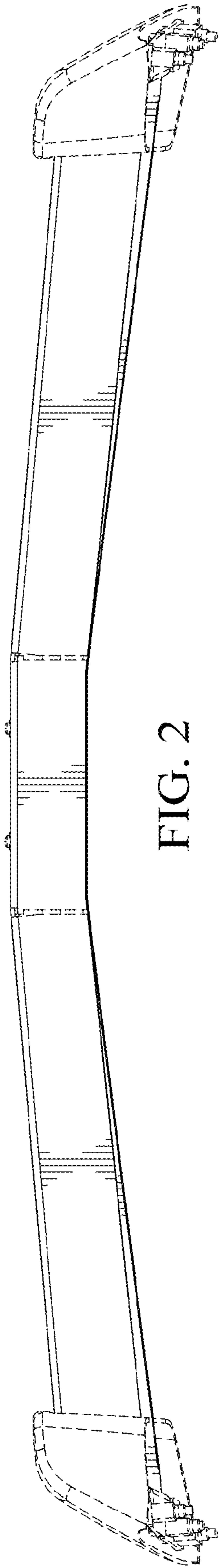


FIG. 2

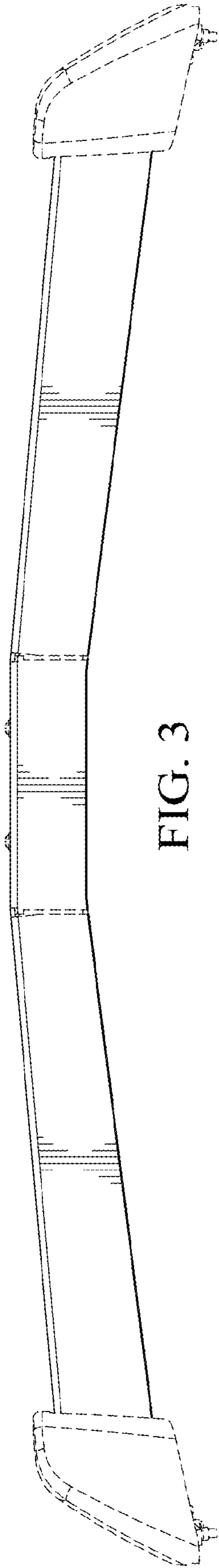


FIG. 3

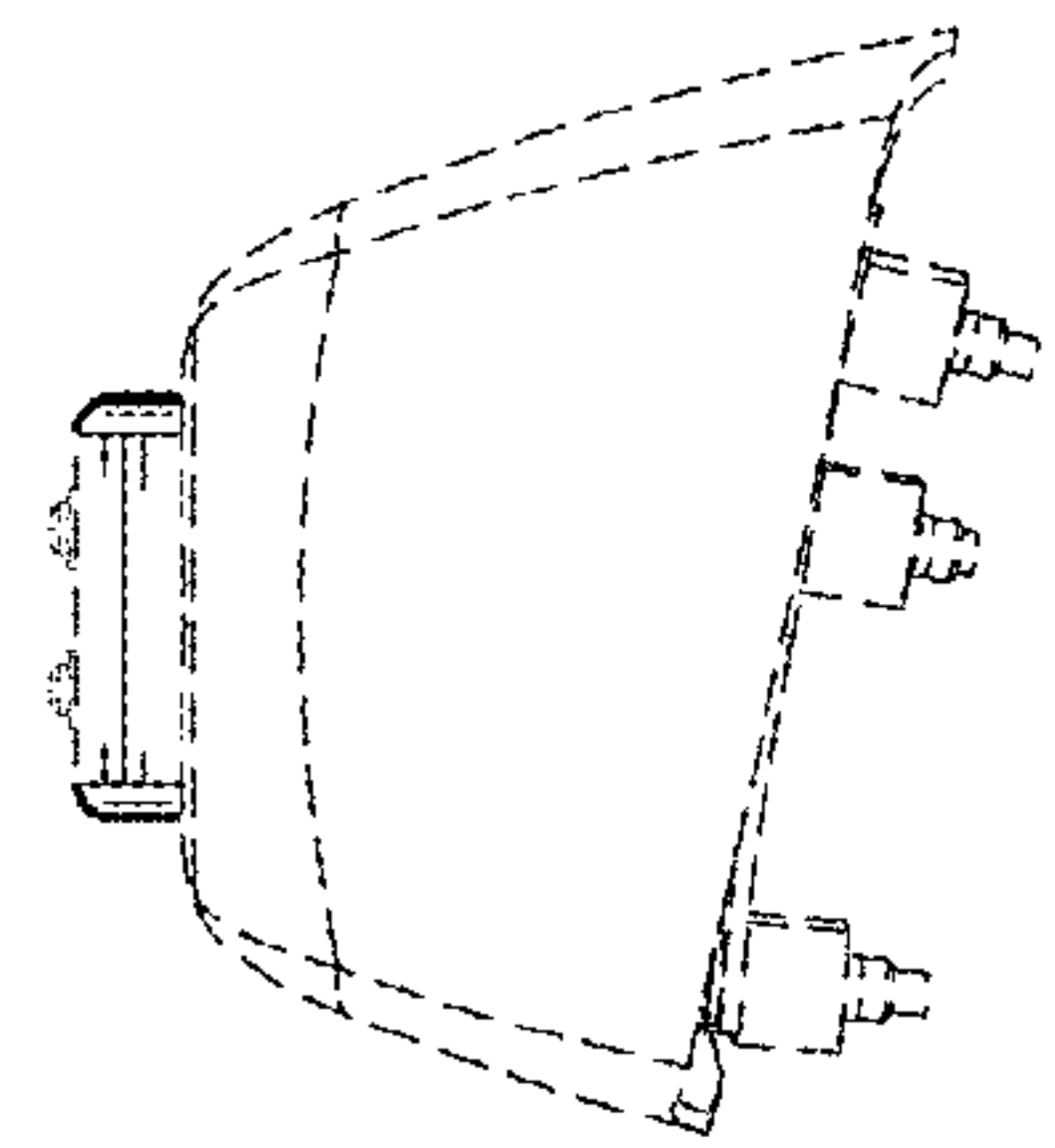


FIG. 4

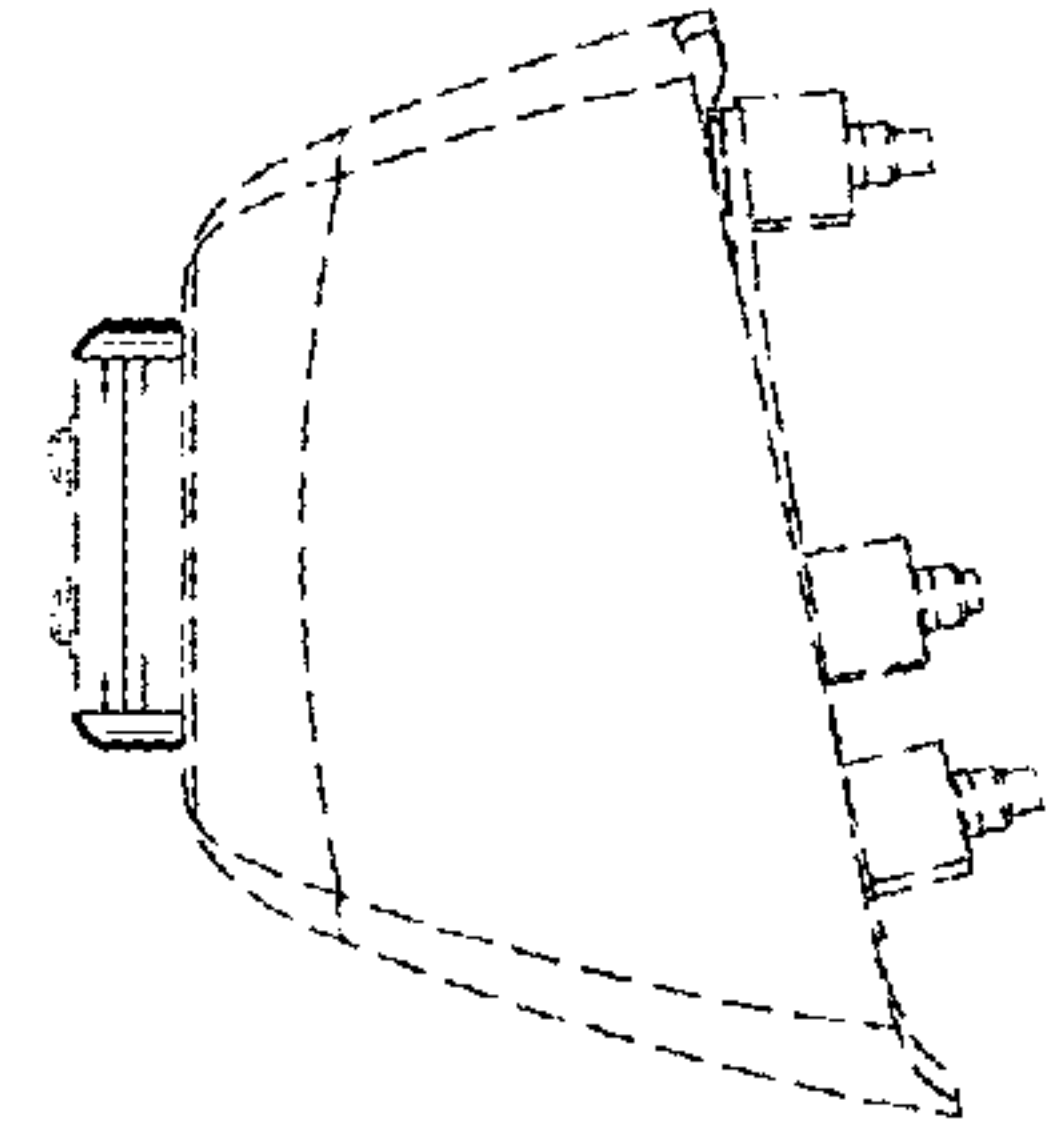


FIG. 5

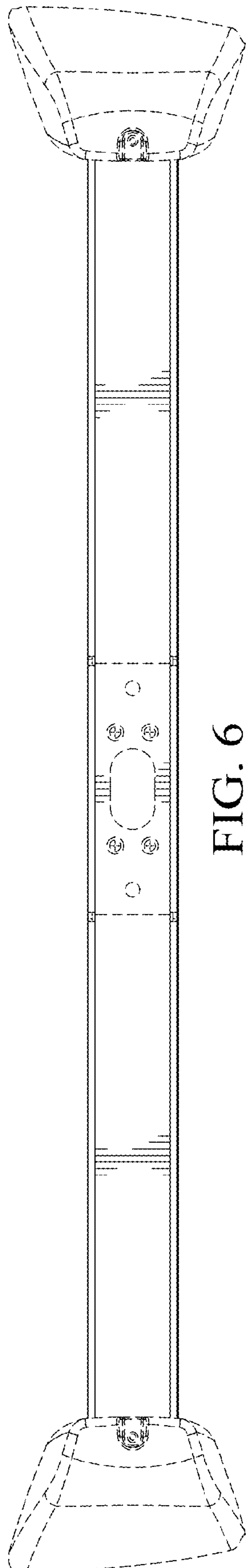


FIG. 6

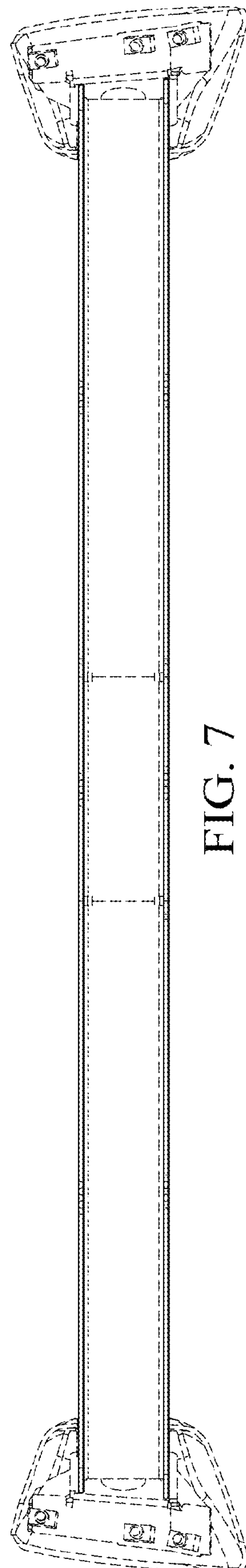


FIG. 7

