



US00D902833S

(12) **United States Design Patent** (10) **Patent No.:** **US D902,833 S**
McGregor et al. (45) **Date of Patent:** **** Nov. 24, 2020**

(54) **PORTABLE OVERHANG FOR A RECREATIONAL VEHICLE**
(71) Applicant: **AWOL OUTDOORS, INC.**, Somerset, WI (US)
(72) Inventors: **Kevin McGregor**, St. Louis Park, MN (US); **Benjamin Braun**, Minnetonka, MN (US)
(73) Assignee: **AWOL OUTDOORS, INC.**, Somerset, WI (US)

D583,746 S * 12/2008 Napieraj D12/403
D583,747 S * 12/2008 Napieraj D12/403
D651,678 S * 1/2012 Muggleton D12/402
D732,460 S 6/2015 Seneker
D735,634 S * 8/2015 Taylor D12/403
D780,088 S 2/2017 Gholston
D796,420 S * 9/2017 Abrams D12/403
D808,885 S * 1/2018 Napieraj D12/403
D813,144 S * 3/2018 McGregor D12/403
D820,192 S * 6/2018 Currid D12/403
D824,322 S * 7/2018 Rossi D12/403
D847,080 S * 4/2019 Jameson D12/403

(**) Term: **15 Years**
(21) Appl. No.: **29/651,245**
(22) Filed: **Feb. 23, 2018**

Related U.S. Application Data

(63) Continuation of application No. 29/586,271, filed on Dec. 1, 2016, now Pat. No. Des. 813,144.

(51) **LOC (12) Cl.** **12-16**
(52) **U.S. Cl.**
USPC **D12/403**

(58) **Field of Classification Search**
USPC D12/401-414; D6/610, 611, 596, D6/601-603, 615, 617, 621, 552; D7/332, 334-337; D3/304-306; D34/32
CPC B65D 85/68; B65D 31/16; B65D 33/02; B60R 5/04; B60R 5/045; B60R 9/045; B60R 9/048; B60R 9/04; B60P 7/04
See application file for complete search history.

(56) **References Cited**

U.S. PATENT DOCUMENTS

D382,248 S 8/1997 Long
D397,669 S * 9/1998 Komick D12/403
D503,143 S 3/2005 Napieraj
D516,497 S * 3/2006 Napieraj D12/403

OTHER PUBLICATIONS

Photographs of awnings identified "A"—"K" made by Canvas Craft, Inc. of Otsego, MN prior to Dec. 1, 2016.

* cited by examiner

Primary Examiner — Katrina A Betton

(74) *Attorney, Agent, or Firm* — Steven M. Koehler; Westman, Champlin & Koehler, P.A.

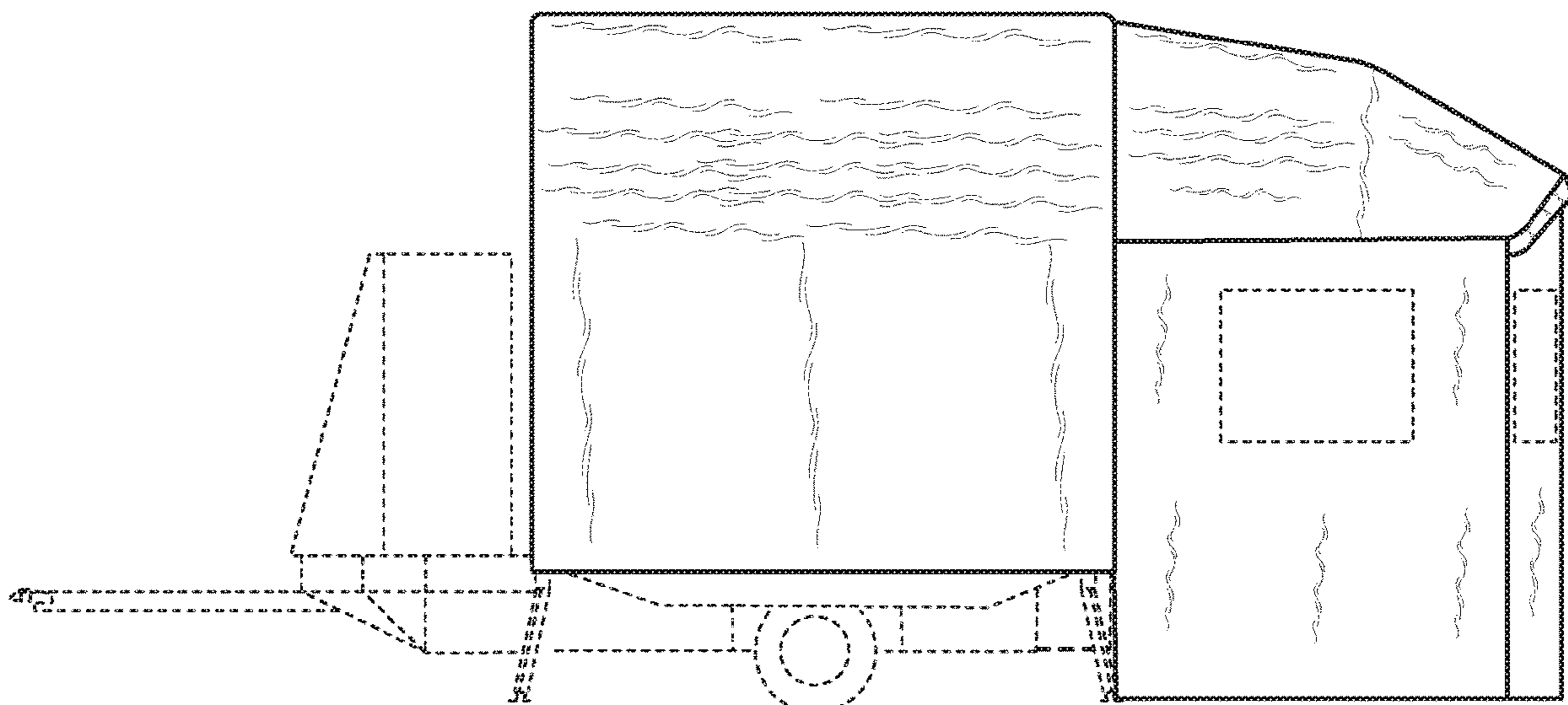
(57) **CLAIM**

The ornamental design for a portable overhang for a recreation vehicle, as shown and described.

DESCRIPTION

FIG. 1 is a left elevational view of the overhang. FIG. 2 is a right elevational view of the overhang. FIG. 3 is a rear elevational view of the overhang. FIG. 4 is a front elevational view of the overhang. FIG. 5 is a top plan view of the overhang; and, FIG. 6 is a bottom view of the overhang. The broken lines of FIGS. 1-6 are included for the purpose of illustrating environmental structure and form no part of the claimed design. The material illustrated is intended to represent any form of material including solid, transparent, translucent, and screen materials.

1 Claim, 3 Drawing Sheets



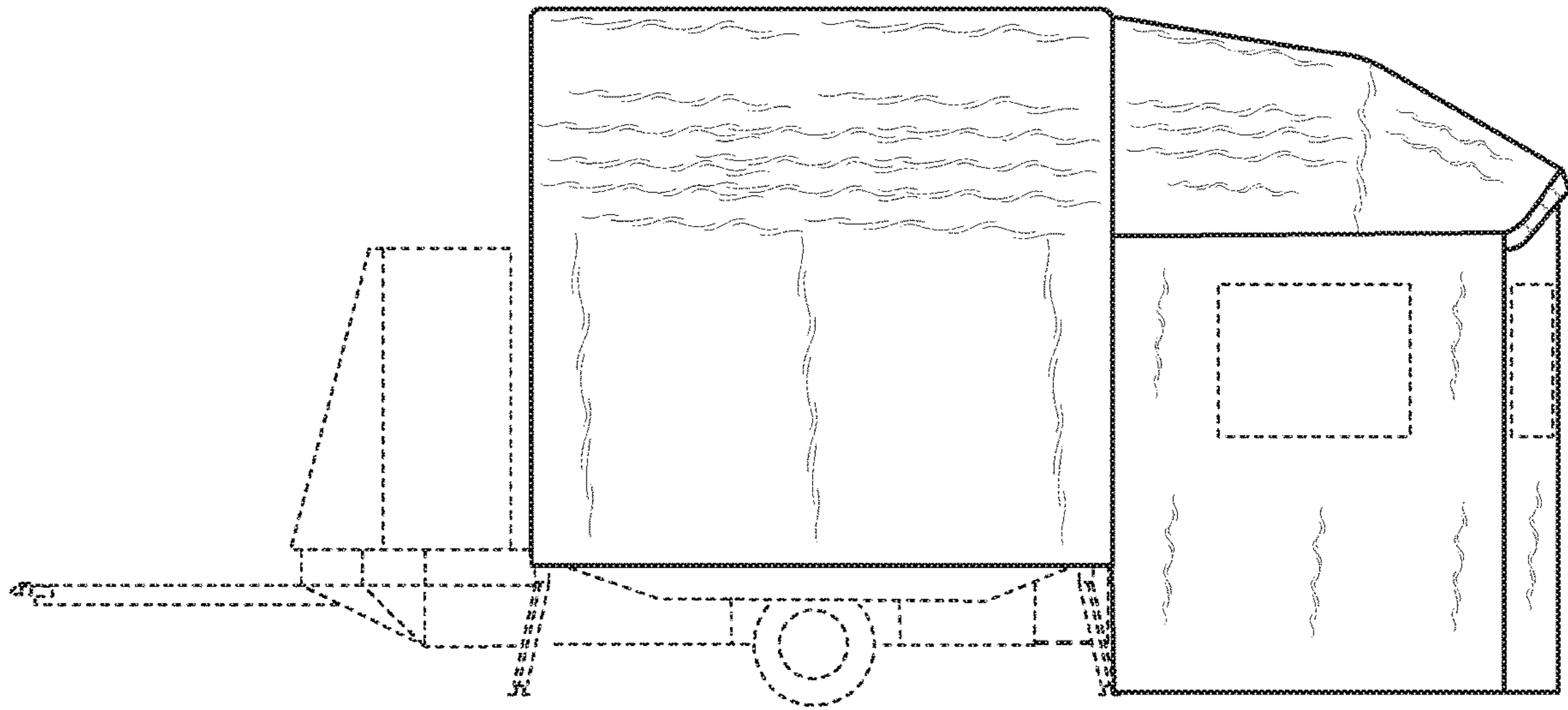


FIG. 1

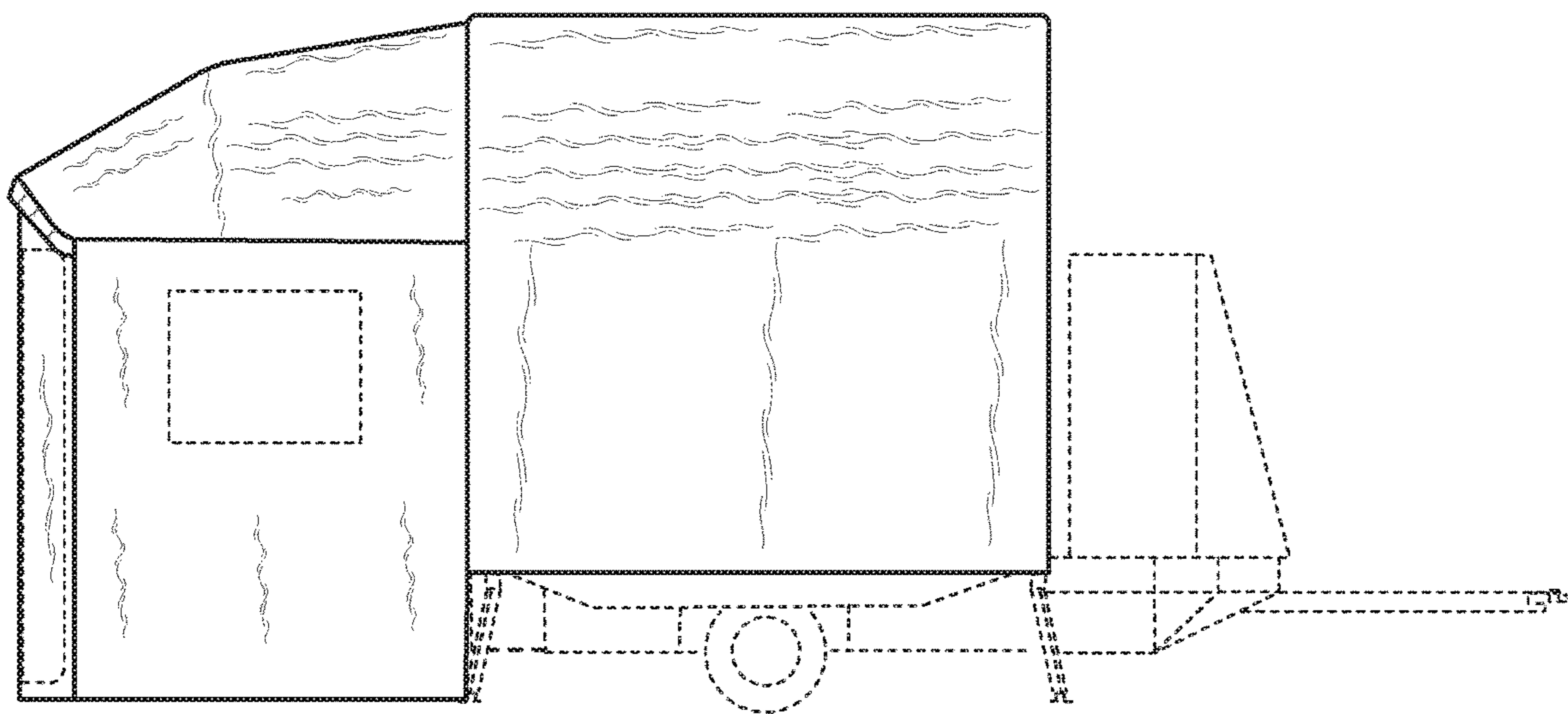


FIG. 2

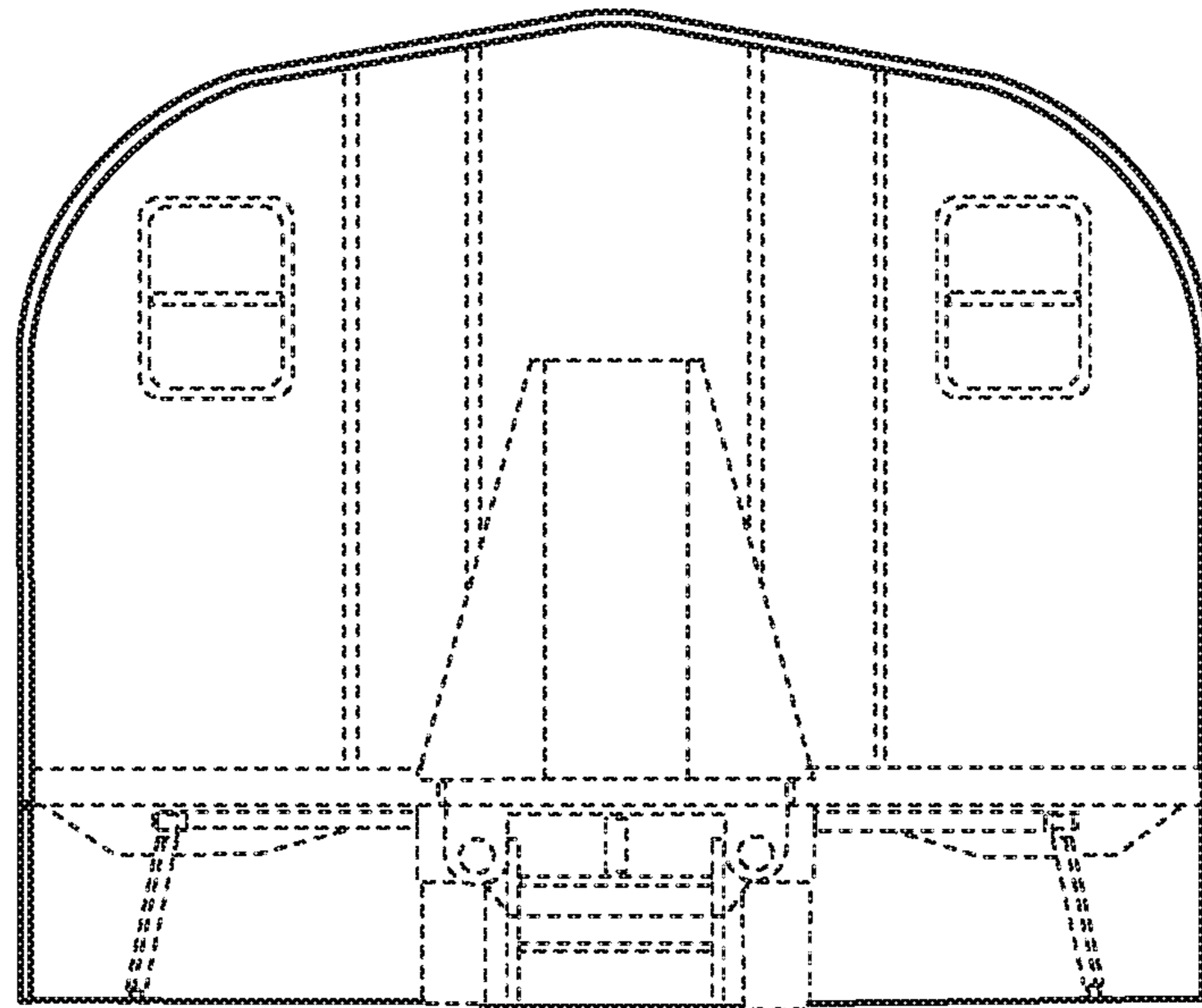


FIG. 3

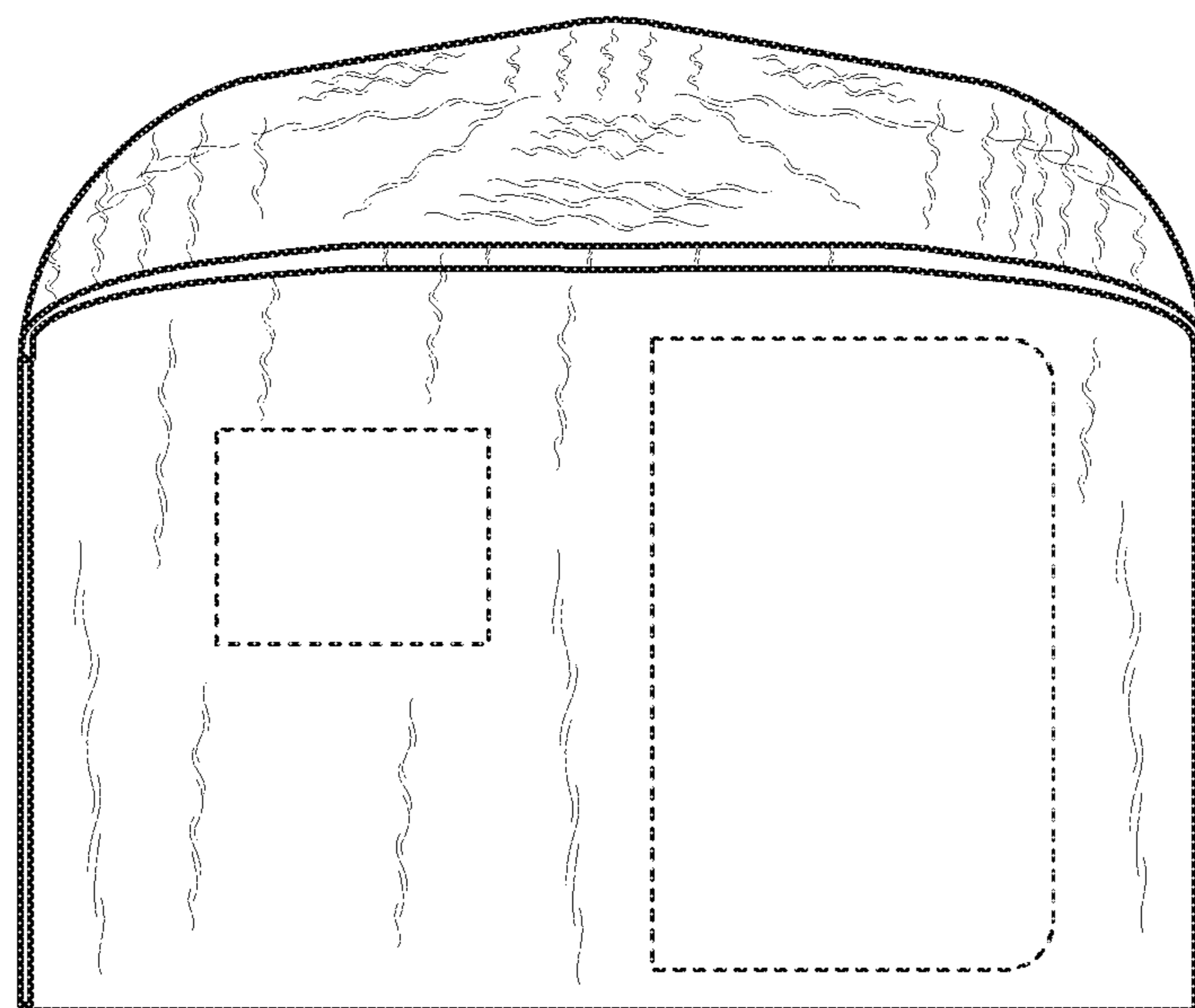


FIG. 4

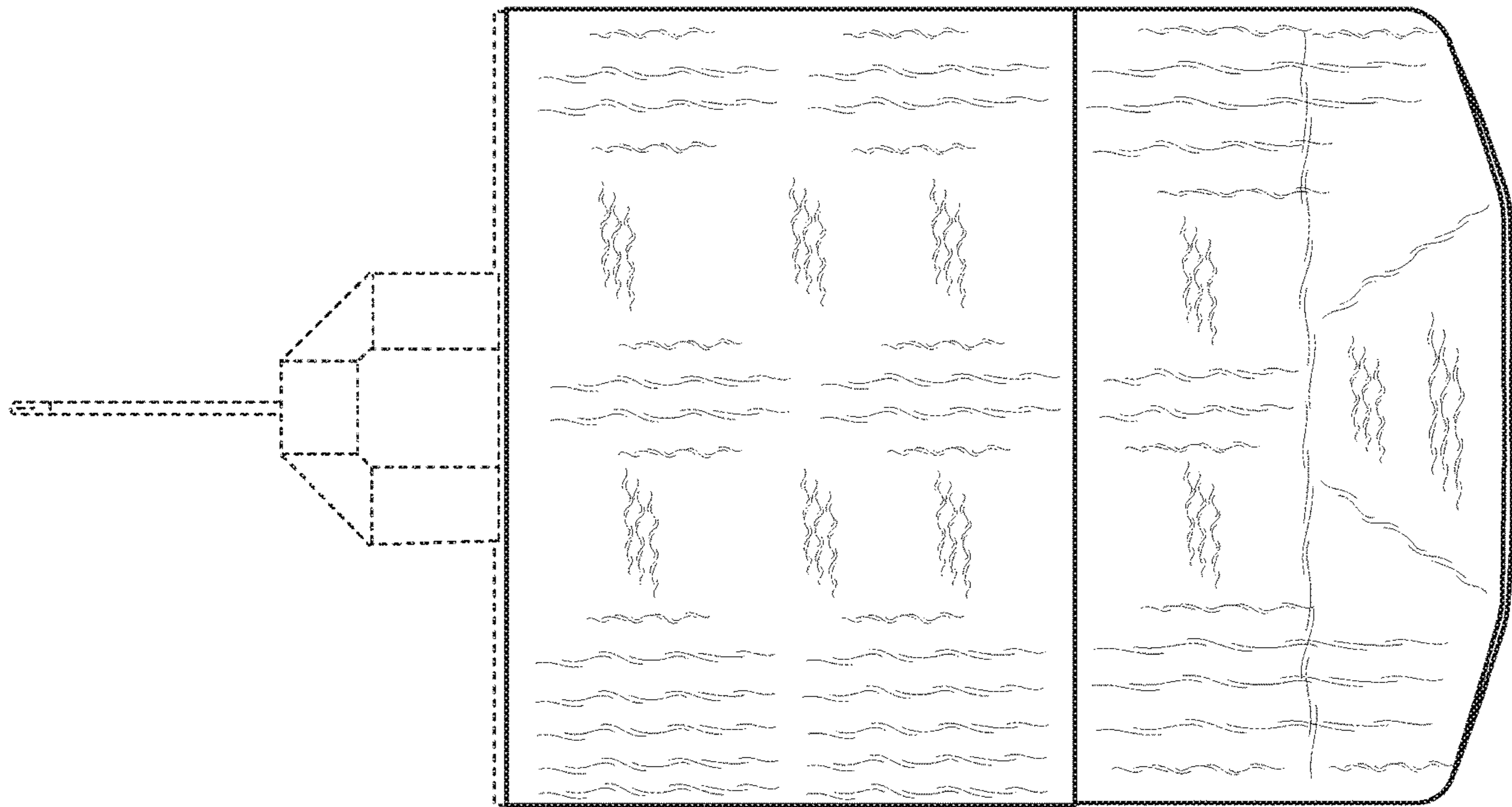


FIG. 5

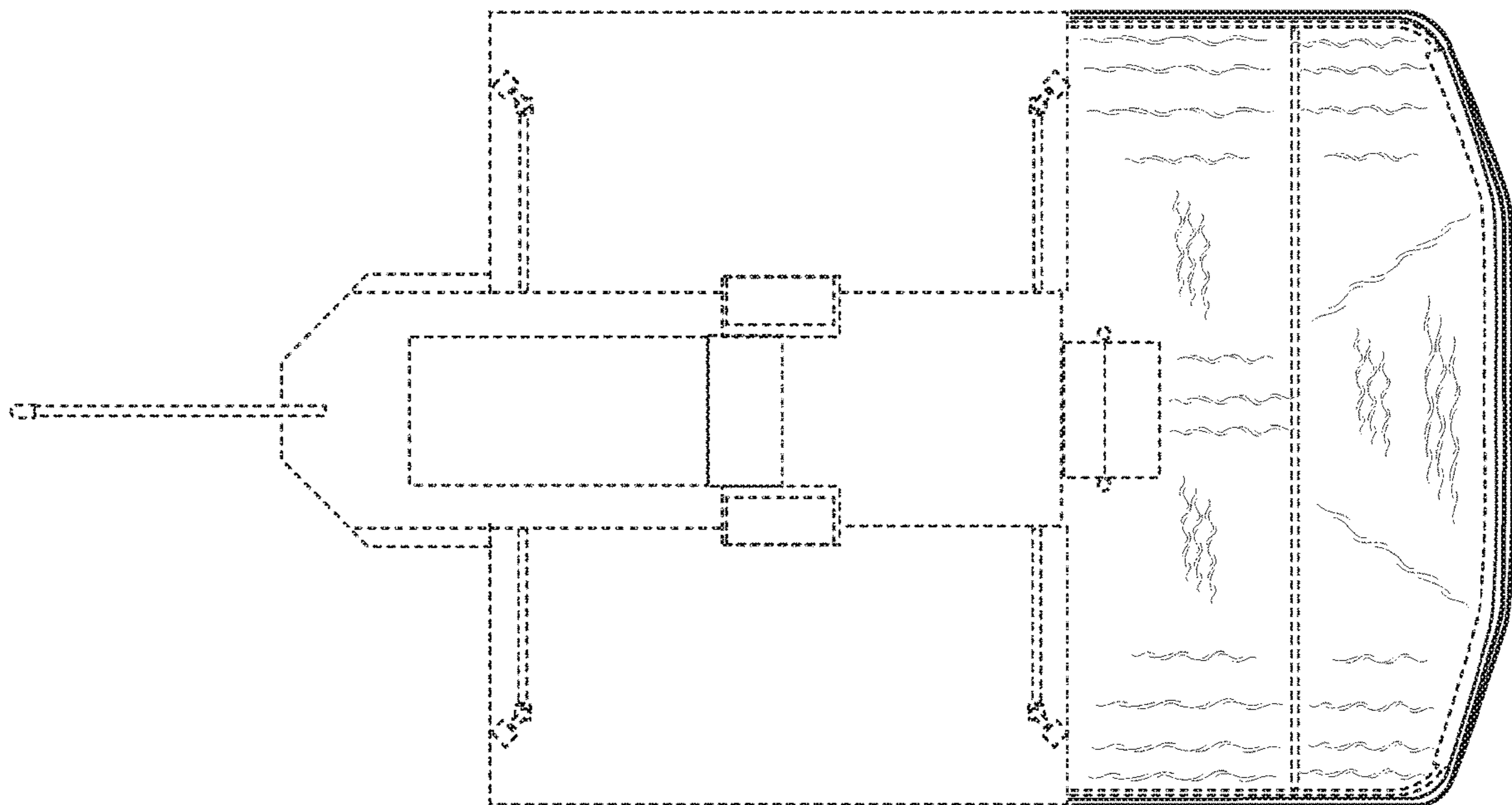


FIG. 6